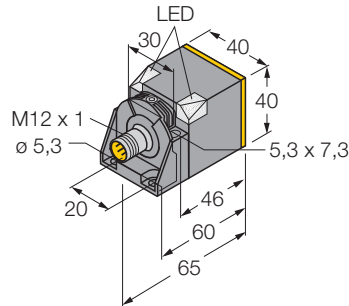
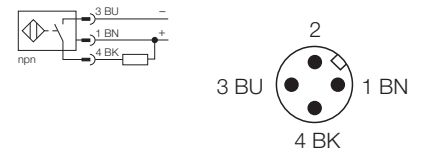


**Inductive sensor
extended switching distance
NI35U-CK40-AN6X2-H1141**



- Cuboid-shaped, height 40 mm
- Variable orientation of active face in 5 directions
- Plastic, PBT-GF30-V0
- High luminance corner LEDs
- Optimum view on display from any position, indicating the operating voltage and the switching state.
- Factor 1 for all metals
- Extended switching distance
- Protection class IP68
- Magnetic field immune
- Extended temperature range
- High switching frequency
- Predamping protection through self-compensation
- 3-wire DC, 10...30 VDC
- normally open npn output
- connector, M12 x 1

Wiring diagram



Functional principle

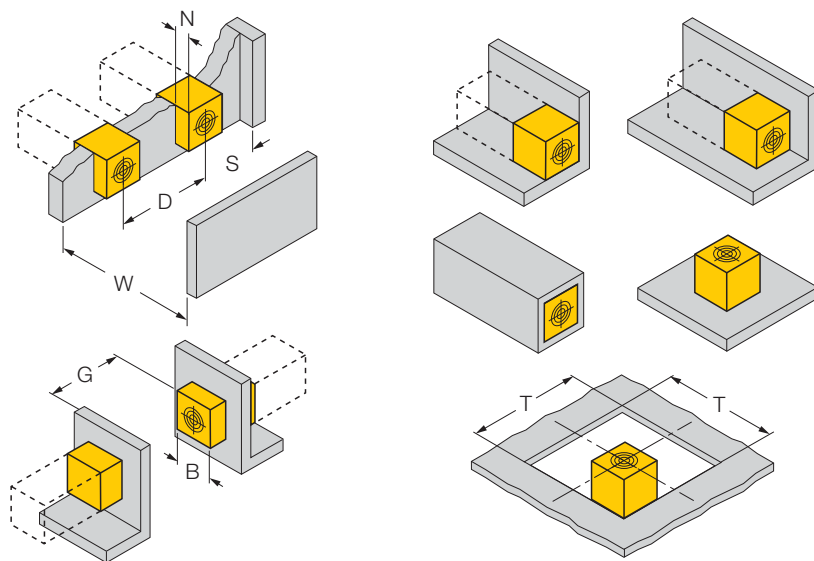
Inductive sensors detect metal objects contactless and wear-free. Due to the 3-coil system without ferrite core, uprox®+ factor 1 sensors have significant advantages. They detect all metals at the same switching distance, are magnetic field immune and feature large switching distances.

Type	NI35U-CK40-AN6X2-H1141
Ident-No.	1625810
Rated operating distance Sn	35 mm
Mounting condition	non-flush, partial embedding possible
Assured sensing range	≤ (0,81 x Sn) mm
Repeatability	≤ 2 %
Temperature drift	≤ ± 10 %
Hysteresis	≤ ± 20 %, ≤ -25 °C v ≥ +70 °C
Ambient temperature	-30...+ 85 °C
Operating voltage	10... 30 VDC
Residual ripple	≤ 10 % U _{ss}
DC rated operational current	≤ 200 mA
No-load current I ₀	≤ 15 mA
Residual current	≤ 0.1 mA
Rated insulation voltage	≤ 0.5 kV
Short-circuit protection	yes / cyclic
Voltage drop at I _e	≤ 1.8 V
Wire breakage / Reverse polarity protection	yes / complete
Output function	3-wire, NO contact, NPN
Protection class	☐
Switching frequency	≤ 0.25kHz
Housing	rectangular, CK40
Dimensions	65 x 40 x 40 mm variable orientation of active face in 5 directions
Housing material	Plastic, PBT-GF20-V0, black
Material active face	Plastic, PA6-GF30-X, yellow
Electrical connection	Connectors, M12 x 1
Vibration resistance	55 Hz (1 mm)
Shock resistance	30g (11 ms)
Protection class	IP68
Operating voltage	2 x LEDs green
Switching state	2 x LEDs yellow
Included in scope of supply	BS4-CK40

**Inductive sensor
extended switching distance
NI35U-CK40-AN6X2-H1141**

Mounting instructions	minimum distances
Distance D	120 mm
Distance W	105 mm
Distance T	140 mm
Distance S	60 mm
Distance G	210 mm
Distance N	30 mm

Width of the active face B 40 mm



Flush mounting

- 1-side mounting: $S_r = 28$ mm
- 2-side mounting: $S_r = 24$ mm
- 3-side mounting: $S_r = 19$ mm

Backside mounting with full switching distance.

Recessed mounting with reduced switching distance.

The values stated relate to a 1 mm thick steel plate.

Accessories

Type code	Ident-No.	Short text	Dimension drawing
BSS-CP40	6901318	Fixing clamp; material: Polypropylene	