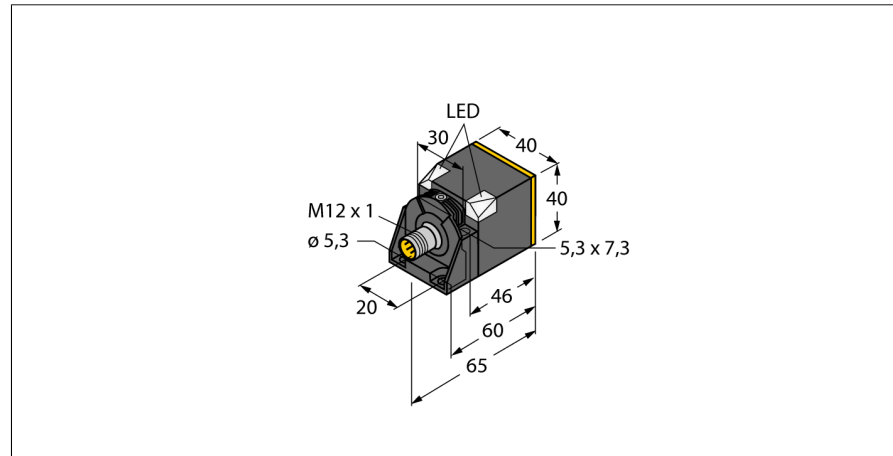


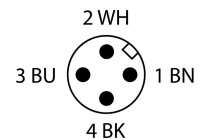
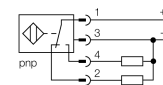
**Inductive sensor**  
**Increased switching distance and extended temperature range**  
**NI35U-CK40-VP6X2-H1141/S97**



- Rectangular, height 40 mm
- Variable orientation of active face in 5 directions
- Plastic, PBT-GF30-V0
- High luminance corner LEDs
- Optimum view on supply voltage and switching state from any position
- Factor 1 for all metals
- Increased switching distance
- Protection class IP68
- Resistant to magnetic fields
- Temperatures up to -40 °C
- High switching frequency
- Auto-compensation protects against pre-attenuation
- DC 4-wire, 10...30 VDC
- Changeover contact, PNP output
- M12 x 1 male connector

<b>Type code</b>	NI35U-CK40-VP6X2-H1141/S97
Ident no.	1625814
<b>Rated switching distance Sn</b>	35 mm
Mounting conditions	non-flush, partially embeddable
Assured switching distance	≤ (0,81 x Sn) mm
Repeatability	≤ 2 % of full scale
Temperature drift	≤ ± 10 %
Hysteresis	≤ ± 20 %, ≤ -25 °C
Ambient temperature	3...15 %
	-40...+85 °C
<b>Operating voltage</b>	10...30VDC
Residual ripple	≤ 10 % U <sub>ss</sub>
DC rated operational current	≤ 200 mA
No-load current I <sub>0</sub>	≤ 15 mA
Residual current	≤ 0.1 mA
Rated insulation voltage	≤ 0.5 kV
Short-circuit protection	yes/ cyclic
Voltage drop at I <sub>0</sub>	≤ 1.8 V
Wire breakage / Reverse polarity protection	yes/ complete
Output function	4-wire, changeover contact, PNP
Protective insulation	☐
Switching frequency	0.25 kHz
<b>Construction</b>	rectangular, CK40
Dimensions	65 x 40 x 40 mm variable orientation of active face in 5 directions
Housing material	plastic, PBT, black
Connection	male, M12 x 1
Vibration resistance	55 Hz (1 mm)
Shock resistance	30 g (11 ms)
IP Rating	IP68
MTTF	874 years acc. to SN 29500 (Ed. 99) 40 °C
<b>Power-on indication</b>	2 LEDs green
Switching state	LED yellow
Included in delivery	Fixing clamp BS4-CK40

**Wiring diagram**

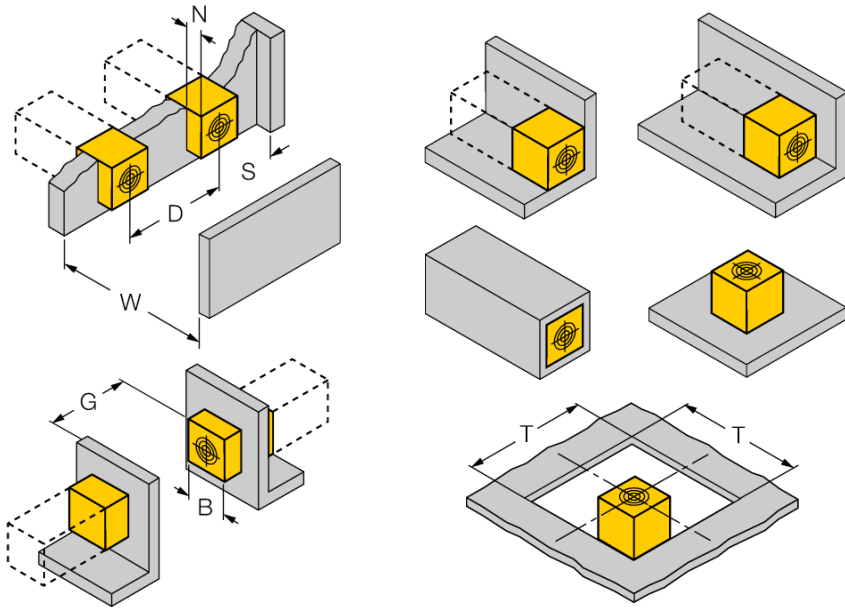


**Functional principle**

Inductive sensors detect metal objects contactless and wear-free. *uprox®* Factor 1 sensors have significant advantages due to their patented ferrite-coreless multicoil system. They detect all metals at the same large switching distance and are resistant to magnetic fields.

**Inductive sensor**  
**Increased switching distance and extended temperature range**  
**NI35U-CK40-VP6X2-H1141/S97**

Distance D	120 mm
Distance W	105 mm
Distance T	140 mm
Distance S	60 mm
Distance G	210 mm
Distance N	30 mm
<hr/>	
Width of the active face B	40 mm



Flush mounting  
 1-side mounting:  $S_r = 28$  mm  
 2-side mounting:  $S_r = 24$  mm  
 3-side mounting:  $S_r = 19$  mm

Backside mounting with full switching distance.

Recessed mounting with reduced switching distance.

The values stated relate to a 1 mm thick steel plate.

**Inductive sensor**  
**Increased switching distance and extended temperature range**  
**NI35U-CK40-VP6X2-H1141/S97**

**Accessories**

Type code	Ident no.	Description	Design
BSS-CP40	6901318	Mounting bracket for rectangular devices; material: Polypropylene	