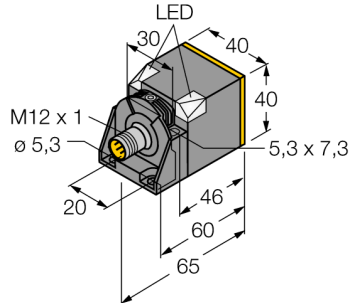
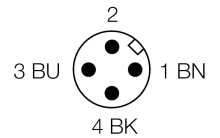
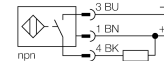


**Inductive sensor  
extended switching distance  
NI35U-CK40-AN6X2-H1141**



- Rectangular, height 40 mm
- Variable orientation of active face in 5 directions
- Plastic, PBT-GF30-V0
- High luminance corner LEDs
- Optimum view on supply voltage and switching state from any position
- Factor 1 for all metals
- Extended switching distance
- Protection class IP68
- Magnetic field immune
- Extended temperature range
- High switching frequency
- Predamping protection through self-compensation
- DC 3-wire, 10...30 VDC
- NO contact, NPN output
- M12 x 1 connector

**Wiring diagram**



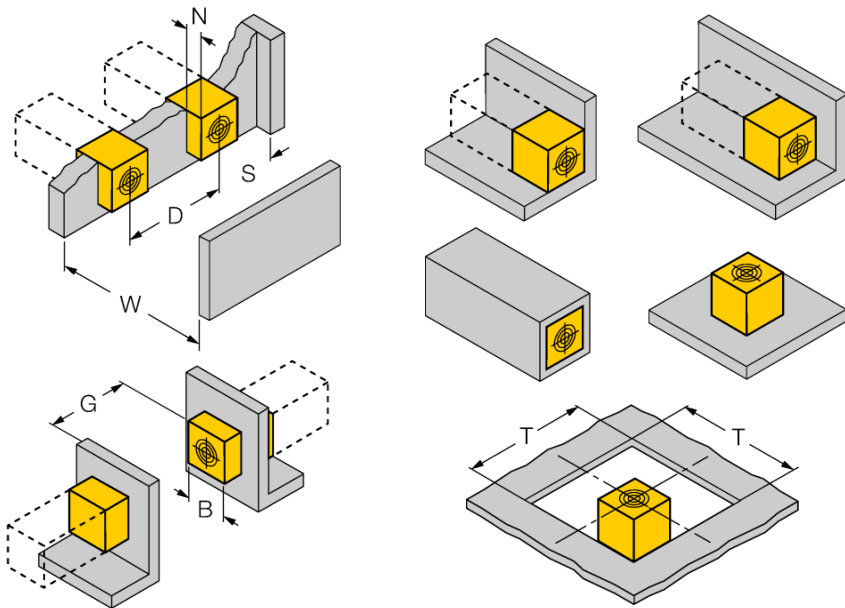
**Functional principle**

Inductive sensors detect metal objects contactless and wear-free. Due to the 3-coil system without ferrite core, uprox®+ factor 1 sensors have significant advantages. They detect all metals at the same switching distance, are magnetic field immune and feature large switching distances.

<b>Type</b>	NI35U-CK40-AN6X2-H1141
Ident-No.	1625810
<b>Rated operating distance Sn</b>	35 mm
Mounting condition	non-flush, partially embeddable
Assured sensing range	≤ (0,81 x Sn) mm
Repeatability	≤ 2 %
Temperature drift	≤ ± 10 %
Hysteresis	≤ ± 20 %, ≤ -25 °C v ≥ +70 °C
Ambient temperature	3...15 % -30...+85 °C
<b>Operating voltage</b>	10...30VDC
Residual ripple	≤ 10 % U <sub>SS</sub>
DC rated operational current	≤ 200 mA
No-load current I <sub>0</sub>	≤ 15 mA
Residual current	≤ 0.1 mA
Rated insulation voltage	≤ 0.5 kV
Short-circuit protection	yes/ cyclic
Voltage drop at I <sub>e</sub>	≤ 1.8 V
Wire breakage / Reverse polarity protection	yes/ complete
Output function	3-wire, NO contact, NPN
Protection class	☐
Switching frequency	≤ 0.25 kHz
<b>Design</b>	rectangular, CK40
Dimensions	65 x 40 x 40 mm variable orientation of active face in 5 directions
Housing material	Plastic, PBT-GF20-V0, black
Electrical connection	connector, M12 x 1
Vibration resistance	55 Hz (1 mm)
Shock resistance	30 g (11 ms)
Protection class	IP68
<b>Operating voltage</b>	2 x LEDs green
Switching state	2 x LEDs yellow
Included in scope of supply	BS4-CK40

Mounting instructions	minimum distances
Distance D	120 mm
Distance W	105 mm
Distance T	140 mm
Distance S	60 mm
Distance G	210 mm
Distance N	30 mm

**Width of the active face B** 40 mm



Flush mounting  
 1-side mounting:  $S_r = 28$  mm  
 2-side mounting:  $S_r = 24$  mm  
 3-side mounting:  $S_r = 19$  mm

Backside mounting with full switching distance.  
 Recessed mounting with reduced switching distance.  
 The values stated relate to a 1 mm thick steel plate.

**Accessories**

Type code	Ident-No.	Short text	Dimension drawing
BSS-CP40	6901318	Fixing clamp; material: Polypropylene	