

VEGACAP 98

Relay (DPDT)

Capacitive rod electrode for level detection



Application area

The VEGACAP 98 is an adjustment-free, economical level switch for liquids and bulk solids. It is particularly suitable as overflow protection or dry run protection system in adhesive, conductive products. The VEGACAP 98 works in products from a dielectric constant of 1.5.

Your benefit

- Minimum time and cost expenditure thanks to simple setup without medium
- Exact switching point even with strong buildup
- Long lifetime and low maintenance requirement through robust mechanical construction

Function

Sensor and vessel form the two electrodes of a capacitor. A capacitance change caused by a level change is evaluated by the integrated electronics and converted into a switching signal. The capacitive measuring principle has no special requirements in respect to installation and mounting.

Technical data

Sensor length	up to 2 m (6.562 ft)
Process fitting	Thread G1½ , 1½ NPT
Process pressure	unpressurised operation
Process temperature	-40 ... +80 °C (-40 ... +176 °F)
Ambient, storage and transport temperature	-40 ... +80 °C (-40 ... +176 °F)
Operating voltage	20 ... 253 V AC, 50/60 Hz; 20 ... 72 V DC
Power consumption	1 ... 8 VA (AC), approximately 1.5 W (DC)
Switching voltage	min. 10 mV, max. 253 V AC, 253 V DC
Switching current	min. 10 µA, max. 3 A AC, 1 A DC
Breaking capacity	min. 50 mW, max. 750 VA AC, 54 W DC
Switching delay	0.7 s (on/off)

Materials

The wetted materials of the instrument are completely made of PP. You will find a complete overview of the available materials and seals in the "configurator" on our homepage at www.vega.com/configurator.

Housing versions

The housings are available in plastic or Aluminium. They are available with protection ratings up to IP 67.

Electronics versions

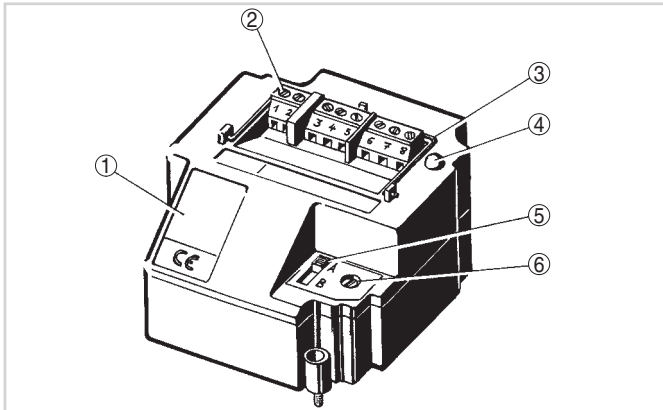
The instruments are available with a relay output (DPDT).

Approvals

The instruments are approved as overflow protection system according to the Water Resources Act (WRA). You can find detailed information on the existing approvals in the "configurator" on our homepage at www.vega.com/configurator.

Operation

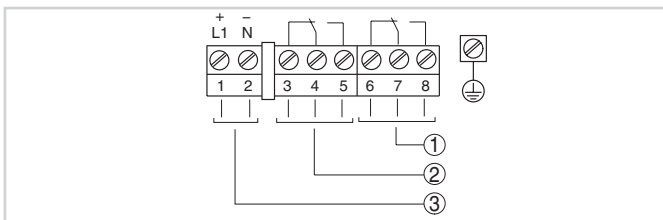
The mode and switching point of the level switch can be adjusted on the electronics module. A signal lamp shows the switching status of the instrument.



Oscillator with relay output

- 1 Type label
- 2 Connection terminals
- 3 Tensile proving ring
- 4 Control lamp
- 5 DIL switch for mode adjustment
- 6 Potentiometer for switching point adaptation

Electrical connection

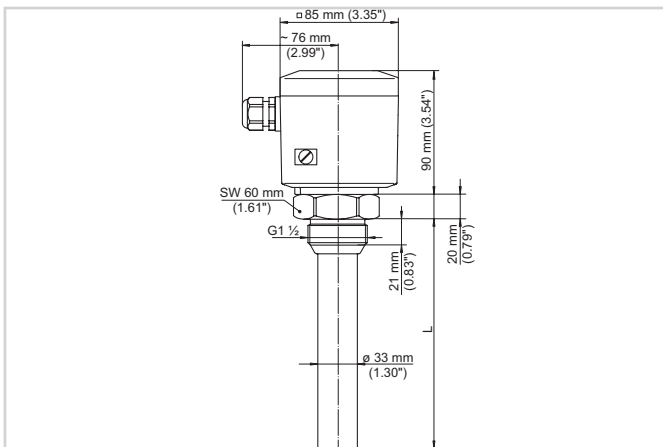


Wiring plan

- 1 Relay output
- 2 Relay output
- 3 Voltage supply

You can find details on electrical connection in the instrument operating instructions on our homepage at www.vega.com/downloads.

Dimensions



Information

You can find further information on the VEGA product line on our home-

page www.vega.com.

In the download section under www.vega.com/downloads you'll find free operating instructions, product information, brochures, approval documents, instrument drawings and much, much more.

Instrument selection

With the "Finder" at www.vega.com/finder and "VEGA Tools" you can select the most suitable measuring principle for your application. You can find detailed information on the instrument versions in the "Configurator" at www.vega.com/configurator and "VEGA Tools".

Contact

You can find the VEGA agency serving your area on our homepage www.vega.com.

Product name VEGACAP 98
 Model code CAP98.XPXDS
 eID DE53437304
 Quantity 1

Adjustment-free, capacitive rod probe for level detection

Application area

The VEGACAP 98 is an adjustment-free, economical level sensor for liquids and bulk solids. It is particularly suitable as overflow protection or dry run protection system in adhesive, conductive products. The VEGACAP 98 works in products from a dielectric constant of 1.5. The process fitting is a G1½ thread.

Your benefit

- Minimum time and cost expenditure thanks to simple setup without medium
- Exact switching point even with strong buildup
- Long lifetime and low maintenance due to robust mechanical construction

Price list: Standard-27/08/2019-DE-€

Approval	.X	Without
Housing / Protection	P	Plastic / IP66/IP67
Length	X	Standard (200 mm)
Electrode length in mm		200
Electronics	D	Relay (DPDT) 20 ... 72 V DC/20 ... 250 V AC (5A)
Application area	S	Solids
Measurement loop identification label		Without
Operating instructions		EN - English
Number of operating instructions		1
Customs tariff number (HS code)		90261029 electronic instruments for level measurement