

VEGAMET 381 Ex

Signal conditioning instrument and indication for continuous measurement



Application area

VEGAMET 381 Ex is a signal conditioning and indicating instrument for simple control tasks in all industries with Ex applications. Comprehensive adjustment functions allow individual adaptations to the respective application.

Advantages

- 4 ... 20 mA sensor input with transmitter power supply in Ex version
- Two relay outputs, one scalable current output
- Large LC display for digital and quasianalogue measured value indication
- Front panel, wall or carrier rail mounting
- Covered adjustment elements

Function

The VEGAMET 381 Ex signal conditioning instrument powers a 4 ... 20 mA sensor and processes his measured value. Due to an adjustment on VEGAMET, this measured value can be scaled individually and hence outputted via the current output to connected instruments. Apart from the large indication, two operating relays are available as limit alarm for control tasks.

Technical data

Series	For panel or wall mounting or mounting on carrier rail 35 x 7.5 (EN 50022)
Connection terminals	
– Type of terminal	Screw terminal
– Max. wire cross-section	1.5 mm ² (AWG 16)
Operating voltage	20 ... 253 V AC, 50/60 Hz, 20 ... 253 V DC
Max. power consumption	12 VA, 4 W
Sensor input	
Number of sensors	1 x 4 ... 20 mA
Type of input (adjustable)	
– mode active	Sensor is powered by VEGAMET 381 Ex
– mode passive	Sensor has own power supply
Relay outputs	
Quantity	2 x operating relay, 1 x fail safe relay
Turn-on voltage	min. 10 mV DC, max. 250 V AC/DC
Switching current	min. 10 µA DC, max. 3 A AC, 1 A DC
Breaking capacity	min. 50 mW, max. 500 VA, max. 54 W DC
Current outputs	
Quantity	1 x output
Range	0/4 ... 20 mA
Max. load	500 Ω
Measured value indication	
– LC display (45 x 45 mm)	digital and quasianalogue indication
– Max. indicating range	-9999 ... 9999
LED displays	
– Status operating voltage	1 x LED green
– Status fault signal	1 x LED red
– Status operating relay 1/2	2 x LED yellow
Ambient temperature	-20 ... +60 °C (-4 ... +140 °F)
Protection rating	
– Wall, rail mounting	IP 20
– Front panel mounting	IP 40

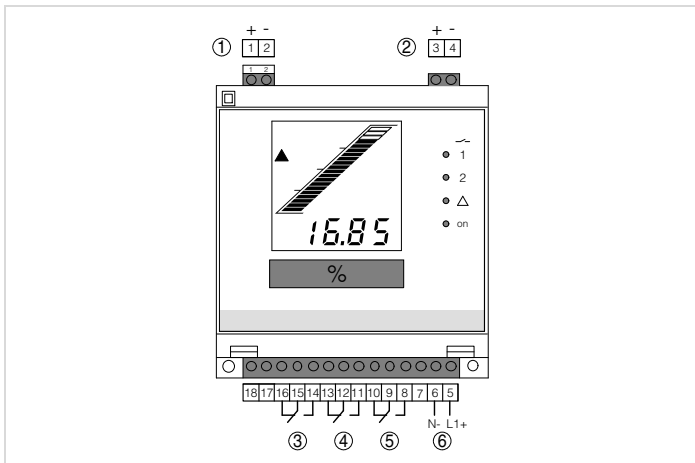
Approvals

You can find detailed information on the existing approvals in the "configurator" on our homepage under www.vega.com/configurator.

Operation

VEGAMET 381 Ex is adjusted on the front via a clear LC display and a 16-step function switch as well as two keys.

Electrical connection

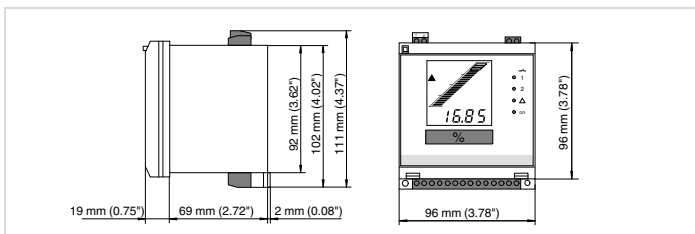


Connection VEGAMET 381 Ex

- 1 Meas. data input/sensor power supply with sockets for VEGACONNECT
- 2 Current output
- 3 Fail safe relay
- 4 Relay 2
- 5 Relay 1
- 6 Power supply

You can find details on the electrical connection in the operating instructions of the instruments on our homepage under www.vega.com/downloads.

Dimensions



Information

You can find further information about the VEGA product line on our homepage www.vega.com.
 You can find free-of-charge operating instructions, product information, brochures, approval documents, instrument drawings, etc. in the download section under www.vega.com/downloads.

Contact

You can find the VEGA agency serving your area on our homepage www.vega.com.