

## VEGAPULS 21

Two-wire 4 ... 20 mA/HART

Radar sensor for continuous level measurement



### Application area

The VEGAPULS 21 is the ideal radar sensor for non-contact level measurement in standard applications in all industrial plants.

It is particularly suitable for level measurement in water treatment, storage tanks with acids and lyes, additives in all industrial areas, or for measuring levels through a plastic tank or IBC container.

The sensor is suitable both for measuring liquids and for use on small bulk solids silos or bulk solids containers.

### Your benefit

- Maintenance-free operation due to non-contact 80 GHz radar technology
- Exact measurement results independent of medium properties and process conditions
- High accuracy and universal measuring range. Maintenance-free operation due to non-contact measuring principle

### Function

The sensor emits a continuous radar signal through the antenna. The emitted signal is reflected by the medium and received as an echo by the antenna.

The frequency difference between the emitted and received signal is proportional to the distance and depends on the filling height. The determined filling height is converted into a respective output signal and output as measured value.

### Technical data

|                                |                                                         |
|--------------------------------|---------------------------------------------------------|
| Measuring range up to          | 15 m (49.21 ft)                                         |
| Deviation                      | ≤ 2 mm                                                  |
| Beam angle                     | 8°                                                      |
| Measuring frequency            | W-band (80 GHz technology)                              |
| Output signal                  | 4 ... 20 mA/HART                                        |
| Process fitting                | Thread G1½, 1½ NPT, R1½                                 |
| Process pressure               | -1 ... +3 bar (-100 ... +300 kPa/-14.5 ... +43.51 psig) |
| Process temperature            | -40 ... +80 °C (-40 ... +176 °F)                        |
| Ambient temperature            | -40 ... +70 °C (-40 ... +158 °F)                        |
| Bluetooth standard             | Bluetooth 5.0 (downward compatible to Bluetooth 4.0 LE) |
| Effective range Bluetooth typ. | 25 m (82 ft)                                            |
| Operating voltage              | 12 ... 35 V DC                                          |
| Protection rating              | IP66/IP67 acc. to IEC 60529, Type 4X acc. to UL 50      |

### Materials

The wetted parts of the instrument are made of PVDF. The process seal is made of FKM.

A complete overview of the available materials and seals can be found on our homepage under "Products" and "Configure & Order".

### Housing versions

The housing is made of PBT plastic and is available in protection rating IP66/IP67.

### Electronics versions

The instrument is available in the 4 ... 20 mA/HART electronics version.

### Approvals

Worldwide approvals are available for VEGA instruments, e.g. for use in hazardous areas, on ships or in hygienic applications.

The technical data in the respective safety instructions are valid for approved instruments (e.g. with Ex approval). In some cases, these data can differ from the data listed herein.

You can find detailed information on the existing approvals with the appropriate product on our homepage.

## Adjustment

### Adjustment via the signal cable

The adjustment of the instrument is carried out via the interface adapter VEGACONNECT and a PC with the adjustment software PACTware and corresponding DTM.

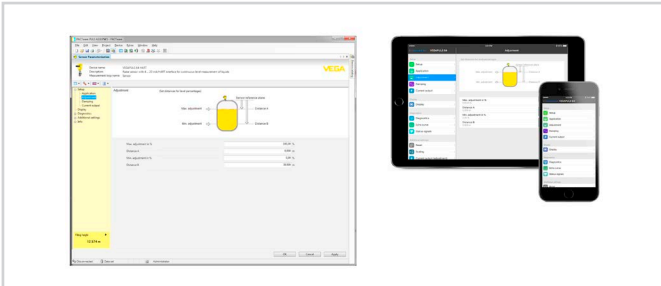
### Wireless adjustment via Bluetooth

The Bluetooth version of the device enables wireless connection to smartphones/tablets (iOS/Android) or Windows PCs.



Wireless connection to standard operating devices

Operation is via a free app from the "Apple App Store", the "Google Play Store" or the "Baidu Store". Alternatively, adjustment can also be carried out via PACTware/DTM and a Windows PC.

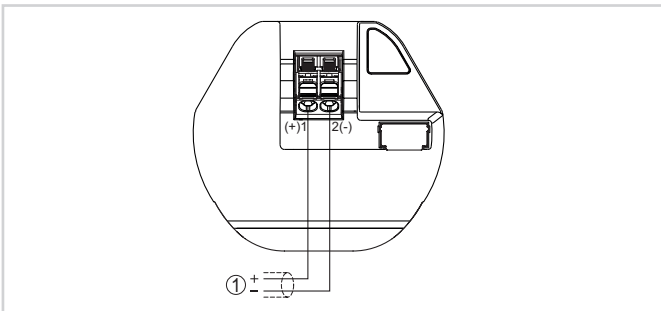


Adjustment via PACTware or app

### Adjustment via remote systems

Further adjustment options are possible via a HART Communicator as well as manufacturer-specific programs such as AMS™ or PDM.

## Electrical connection

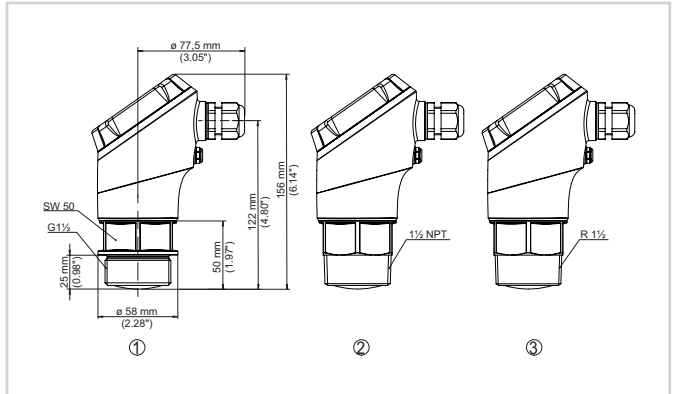


Connection compartment VEGAPULS 21

1 Voltage supply, signal output

You can find details on electrical connection in the instrument operating instructions at [www.vega.com/downloads](http://www.vega.com/downloads).

## Dimensions



Dimensions VEGAPULS 21

- 1 Thread G1½
- 2 Thread 1½ NPT
- 3 Thread R1½

## Mounting accessories

For the VEGAPULS 21 the suitable mounting accessories for ceiling or wall mounting is available.



Mounting strap with adjustable sensor holder for sensors with lateral cable outlet - Wall mounting (example)

You can find further information on the mounting accessory on our homepage.

## Information

You can find further information on the VEGA product line on our homepage.

In the download section on our homepage you'll find operating instructions, product information, brochures, approval documents, instrument drawings and much, much more.

Software accessories such as the current device software and the appropriate operating software are also available there.

## Instrument selection

On our homepage under "Products" you can select the suitable measuring principle and instrument for your application.

There you will also find detailed information on the available device versions.

## Contact

You can find your personal contact person at VEGA on our homepage under "Contact".