

VEGABAR 14

4 ... 20 mA

Pressure transmitter with CERTEC® measuring cell



Application area

VEGABAR 14 is a pressure transmitter for measurement of gauge pressure, absolute pressure or vacuum. Measured products are gases, vapours and liquids.

Advantages

- Two-wire system 4 ... 20 mA
- Deviation < 0.3 %
- Small, compact dimensions
- Highly overload resistant ceramic measuring cell
- Process fittings of stainless steel or PVDF

Function

The sensor element is the CERTEC® measuring cell with rugged ceramic diaphragm. The process pressure causes a capacitance change in the measuring cell. This change is converted into an appropriate output signal and outputted as measured value.

Technical data

Measuring ranges	-1 ... +60 bar/-100 ... +6000 kPa (-14.5 ... +870 psig)
Smallest measuring range	+0.1 bar/+10 kPa (+1.45 psig)
Deviation	< 0.3 %
Process fitting	Manometer connection G½ A, ½ NPT
Process temperature	-40 ... +100 °C (-40 ... +212 °F)
Ambient, storage and transport temperature	-40 ... +80 °C (-40 ... +176 °F)
Operating voltage	12 ... 36 V DC

Materials

The wetted parts of the instrument are made of 316L, PVDF or sapphire-ceramic®. The process seal is available in FKM and FFKM. You can find a complete overview of the available materials and seals in the "configurator" on our homepage at www.vega.com/configurator.

Housing versions

The housing is equipped with plug connector according to ISO 4400, M12 x 1 or with direct cable outlet. It is available with protection ratings up to IP 67.

Electronics versions

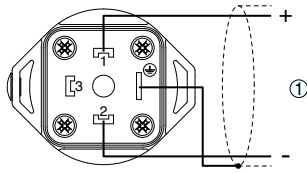
The instrument has a 4 ... 20 mA signal output.

Approvals

The instrument has different ship approvals, for example according to GL, LRS or ABS.

You can find detailed information on the existing approvals in the "configurator" on our homepage under www.vega.com/configurator.

Electrical connection

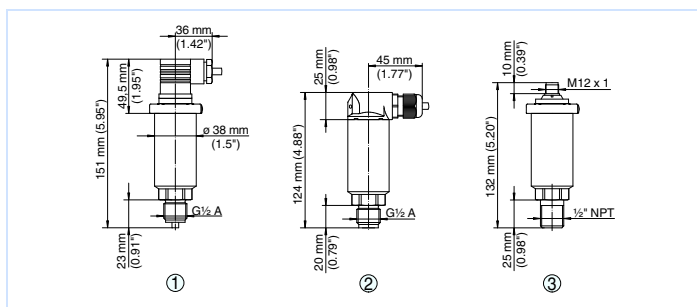


Wiring plan plug connector according to ISO 4400, view to the connection on the instrument side

1 Voltage supply and signal output

You can find details on the electrical connection in the operating instructions of the instruments on our homepage under www.vega.com/downloads.

Dimensions



Dimensions VEGABAR 14

- 1 Threaded version $G\frac{1}{2} A$, manometer connection EN 837 with plug connection ISO 4400
- 2 Threaded version $G\frac{1}{2} A$, inner $G\frac{1}{4} A$ with direct cable outlet
- 3 Threaded version $\frac{1}{2} NPT$, inner $\frac{1}{4} NPT$ with plug connection M 12 x 1

Information

You can find further information about the VEGA product line on our homepage www.vega.com.
In the download section under www.vega.com/downloads you'll find free operating instructions, product information, brochures, approval documents, instrument drawings and much, much more.

Instrument selection

With the "finder" you can select the most suitable measuring principle for your application: www.vega.com/finder.
You can find detailed information on the instrument versions in the "configurator" on our homepage under www.vega.com/configurator.

Contact

You can find the VEGA agency serving your area on our homepage www.vega.com.