

# VEGAMET 381

## Signal conditioning and indicating instrument for level sensors



### Application area

The VEGAMET 381 signal conditioning instrument powers the connected 4 ... 20 mA/HART sensor, processes and displays the measured values. The VEGAMET 381 is ideal for simple control tasks in all industries. Comprehensive adjustment functions allow individual adaptations to the respective application.

### Your benefit

- Transmitter power supply via the 4 ... 20 mA sensor input
- Versatile use through two relay outputs for control of pumps and stirrers, etc.
- Clearly readable LC display for digital and quasianalogue measured value indication

### Function

The VEGAMET 381 signal conditioning instrument powers a 4 ... 20 mA sensor and processes its measured value. Through an adjustment on VEGAMET this measured value can be scaled individually and outputted to connected instruments via the current output. Beside the large indication there are two operating relays that serve as limit alarms for control tasks.

### Technical data

Series	Instrument for mounting into front panel, switching cabinet or housing
Connection terminals	
– Type of terminal	Screw terminal
– Max. wire cross-section	1.5 mm <sup>2</sup> (AWG 16)
Voltage supply	
Operating voltage	20 ... 253 V AC, 50/60 Hz, 20 ... 253 V DC
Max. power consumption	12 VA, 4 W
<b>Sensor input</b>	
Sensor input	
Number of sensors	1 x 4 ... 20 mA
Type of input (switchable)	
– mode active	Sensor supply through VEGAMET 381
– mode passive	Sensor has an own voltage supply
Deviation	
– Accuracy	±20 µA (0.1 % of 20 mA)
<b>Relay outputs</b>	
Relay	
Quantity	2 x operating relay, 1 x fail safe relay
Turn-on voltage	min. 10 mV DC, max. 250 V AC/DC
Switching current	min. 10 µA DC, max. 3 A AC, 1 A DC
Breaking capacity	min. 50 mW, max. 500 VA, max. 54 W DC
<b>Current output</b>	
LoadCurrent output	
Quantity	1 x output
Range	0/4 ... 20 mA
Max. load	500 Ω
LC display	
Measured value indication	
– LC display (45 x 45 mm)	digital and quasianalogue indication
– Max. indicating range	-9999 ... 9999
LED displays	
– Status operating voltage	1 x LED green
– Status fault signal	1 x LED red
– Status operating relay	2 x LED yellow
1/2	
Ambient temperature	-20 ... +60 °C (-4 ... +140 °F)
Protection rating	
– Wall, rail mounting	IP 20
– Front panel mounting	IP 40

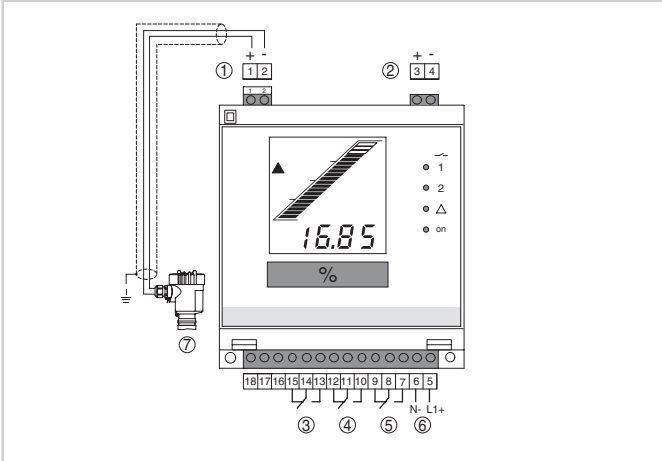
### Approvals

You can find detailed information on the existing approvals in the "configurator" on our homepage under [www.vega.com/configurator](http://www.vega.com/configurator).

## Adjustment

VEGAMET 381 is adjusted on the front via a clear LC display and a 16-step function switch as well as two keys.

## Electrical connection

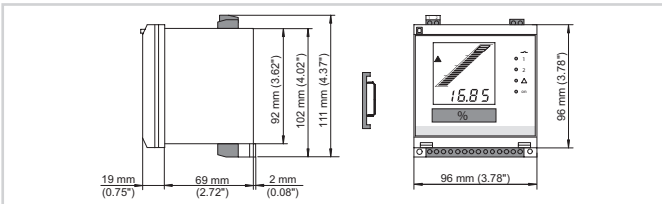


Connection VEGAMET 381

- 1 Meas. data input/sensor power supply with sockets for VEGACONNECT
- 2 Current output
- 3 Fail safe relay
- 4 Relay 2
- 5 Relay 1
- 6 Voltage supply

You can find details on electrical connection in the instrument operating instructions on our homepage at [www.vega.com/downloads](http://www.vega.com/downloads).

## Dimensions



## Info

You can find further information about the VEGA product line on our homepage [www.vega.com](http://www.vega.com). In the download section under [www.vega.com/downloads](http://www.vega.com/downloads) you'll find free operating instructions, product information, brochures, approval documents, instrument drawings and much, much more.

## Contact

You can find the VEGA agency serving your area on our homepage [www.vega.com](http://www.vega.com).