

# VEGATOR 131

## Single-channel signal conditioning instrument for point level detection with conductive sensors



### Application area

The VEGATOR 131 is a single-channel signal conditioning instruments for conductive probes type EL. Typical applications are level detections. Optionally a false signal output is available.

### Your benefit

- Compact signal conditioning instrument with alarm function for limit level
- Integrated fault monitoring with LED display detects line break
- Simple mounting through carrier rail as well as detachable, coded terminals

### Function

The VEGATOR 131 is a single channel limit level alarm and is mainly used for level detection in conjunction with conductive probes. All sensors of series EL can be connected. The signal circuit is permanently monitored on line break.

An operating relay as limit alarm for control tasks is available as output. As an option, an active fault signal is available via relay apart from the fault indication. This relay can be also configured alternatively as a second operating relay.

### Technical data

#### General data

Series Module unit for mounting on carrier rails  
35 x 7.5 acc. to EN 50022/60715

#### Connection terminals

- Type of terminal Screw terminal
- Wire cross-section 0.25 mm<sup>2</sup> (AWG 23) ... 2.5 mm<sup>2</sup> (AWG 12)

#### Voltage supply

##### Operating voltage

- Nominal voltage AC 24 ... 230 V AC (-15 %, +10 %), 50/60 Hz
- Nominal voltage DC 24 ... 65 V DC (-15 %, +10 %)

Max. power consumption 2 W (8 VA)

#### Sensor input

- Quantity 1 x for connection of a conductive electrode
- Input type Active (sensor power supply by VEGATOR 131)

Measured value transmission Alternating voltage

Response resistor 500 Ω ... 200 kΩ, adjustable

Terminal voltage (idle state) 10 V<sub>SS</sub> rectangular voltage 75 Hz

Permissible line capacitance 200 nF

#### Relay output

Quantity 1 x operating relay, 1 x operating/fail safe relay (optional)

Contact Floating spdt

Switching voltage min. 10 mV DC, max. 253 V AC/50 V DC

Switching current min. 10 μA DC, max. 3 A AC, 1 A DC

Breaking capacity min. 50 mW, max. 500 VA, max. 54 W DC

Switch-on/Switch-off delay

- Basic delay 250 ms, ± 20 %

- Adjustable delay 2/6/8 s, ± 20 %

#### Ambient conditions

Ambient temperature at the installation site of the instrument -20 ... +60 °C (-4 ... +140 °F)

#### Electrical protective measures

Protection rating IP 20

Overvoltage category (IEC 61010-1)

- up to 2000 m (6562 ft) III  
above sea level

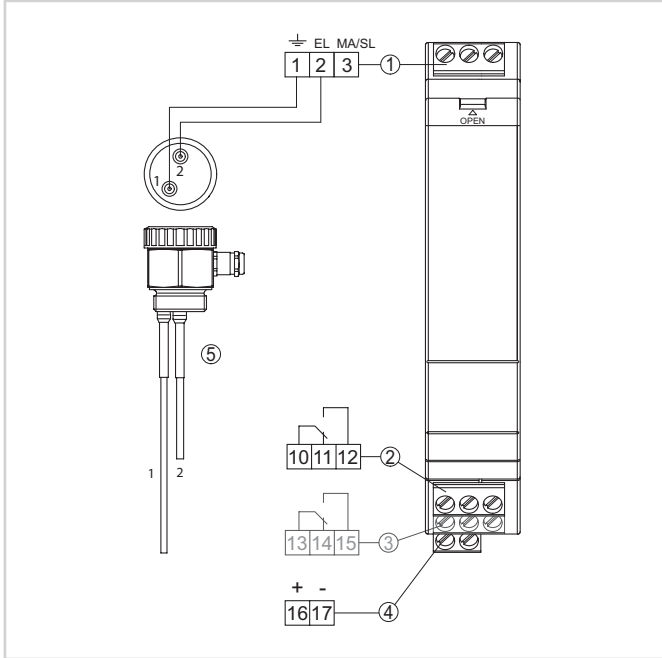
- up to 5000 m (16404 ft) II  
above sea level

Degree of soiling 2

## Approvals

You can find detailed information on the existing approvals in the "configurator" on our homepage at [www.vega.com/configurator](http://www.vega.com/configurator).

## Electrical connection

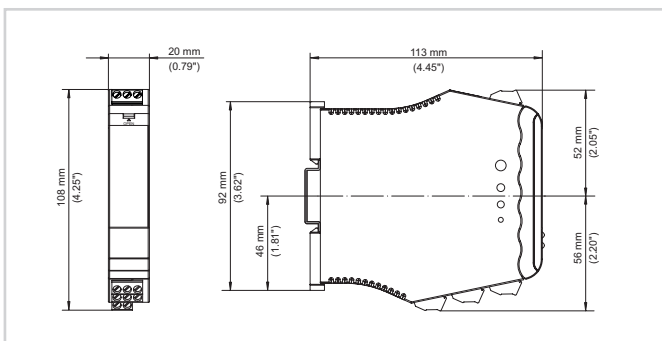


Wiring plan VEGATOR 131

- 1 Sensor circuit (terminal 1 + 2) and Master/Slave connection (terminal 3)
- 2 Relay output
- 3 Fail safe relay (optional)
- 4 Voltage supply

You can find details on electrical connection in the instrument operating instructions on our homepage at [www.vega.com/downloads](http://www.vega.com/downloads).

## Dimensions



Dimensions VEGATOR 131

## Information

You can find further information on the VEGA product line on our homepage [www.vega.com](http://www.vega.com).

In the download section under [www.vega.com](http://www.vega.com) you'll find free operating instructions, product information, brochures, approval documents, instrument drawings and much, much more.

## Contact

You can find the VEGA agency serving your area on our homepage [www.vega.com](http://www.vega.com).