

VEGATOR 621



Signal conditioning instrument for level detection

Application area

The VEGATOR 621 is a signal conditioning instrument for level detection for continuously measuring 4 ... 20 mA sensors. The instrument processes the measured values of a sensor and delivers a switching signal according to the adjusted switching threshold. Hence simple control tasks can be solved. Typical applications are monitoring functions such as overflow or dry run protection as well as gauge monitorings.

Your benefit

- Simple adjustment of the switching point via a potentiometer
- Integrated fault monitoring with LED indication detects short-circuit and line break
- Simple installation through carrier rail mounting

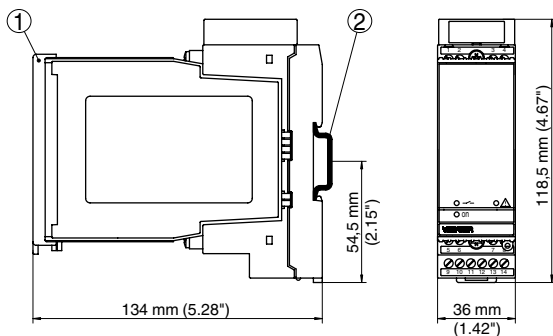
Technical data

Input:	1 x 4 ... 20 mA sensor input active
Output:	1 x relay output 1 x transistor output
Integration time:	adjustable
Switching hysteresis:	fix
Operating voltage:	20 ... 253 V AC, 50/60 Hz 20 ... 72 V DC
Mounting:	carrier rail 35 x 7.5 acc. to EN 50022
SIL qualification:	optionally up to SIL2



Approval

.X	without
EX0.A	ATEX II (1) G D [Ex ia] IIC, I(M1) [Exia]
.CI	IECEX [Ex ia] IIC
.M	Ship approval
Plug-in socket	
K	Inclusive plug-in socket



- 1 Transparent cover
- 2 Carrier rail 35 x 7.5 or 35 x 15 acc. to EN 50022