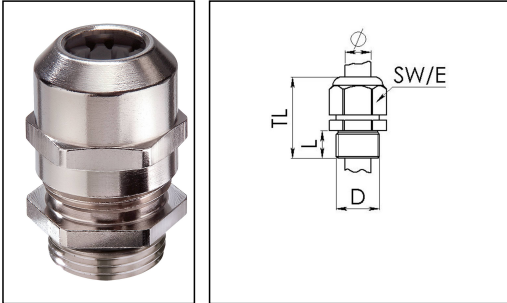


EMSKV 25

Cable gland, brass nickel-plated, M25, with short thread



Products may differ in size, colour and appearance to those shown. If you require further information or customisation, please contact us directly.



| | |
|--------------------------|---------------------------|
| Material cable gland | Brass nickel-plated |
| Material clamping cage | Polyamide |
| Material sealing gasket | EPDM |
| Temp. range min | -40 °C |
| Temp. range max | 100 °C |
| Protection class | IP69, IP68 (5 bar 30 min) |
| Thread type | M |
| Ø Connection thread D | 25 |
| Lead | 1,5 |
| Length screw-in thread L | 7 mm |
| Ø cable diameter min | 9 mm |
| Ø cable diameter max | 17 mm |
| Ø cable diameter UL | 10,8 mm - 15,8 mm |
| Key width SW | 29 mm |
| Collar diameter (E) | 32 mm |
| Total length TL | 33 mm - 42 mm |
| Type of cable anchorage | A |
| Install. torques fitting | 10 N m |
| Install. torques cap nut | 10 N m |
| Impact category | 6 |
| Surface | Nickel-plated |
| Order no. nickel-plated | 10065003 |
| Packing unit | 50 |
| Type | EMSKV 25 |
| ETIM-Classification | EC000441 |

Your Contact:

WISKA Hoppmann GmbH
Kisdorfer Weg 28 · 24568 Kaltenkirchen · Germany
☎ +49-4191-508-0 · 📠 +49-4191-508-209
contact@wiska.de · www.wiska.com

Recommended accessories

| | |
|-----------------------------|----------|
| MFD 25/02/060 | 10060452 |
| RDE 25 | 10060768 |
| MFD 25/02/080 | 10060952 |
| MFD 25/01/065 | 10060954 |
| EMMU 25 | 10063144 |
| MFD 25/02/070 | 10063995 |
| BS 17 | 10064012 |
| MFD 25/03/070 | 10064342 |
| MFD 25/04/060 | 10064343 |
| MFD 25/01/090 | 10101016 |
| MFD 25/01/105-01/055 | 10101255 |
| MFD 25/05/056 | 10102023 |

24.09.2019

Your Contact:

WISKA Hoppmann GmbH

Kisdorfer Weg 28 · 24568 Kaltenkirchen · Germany

 +49-4191-508-0 ·  +49-4191-508-209

contact@wiska.de · www.wiska.com



Your Contact:

WISKA Hoppmann GmbH

Kisdorfer Weg 28 · 24568 Kaltenkirchen · Germany

☎ +49-4191-508-0 · 📠 +49-4191-508-209

contact@wiska.de · www.wiska.com