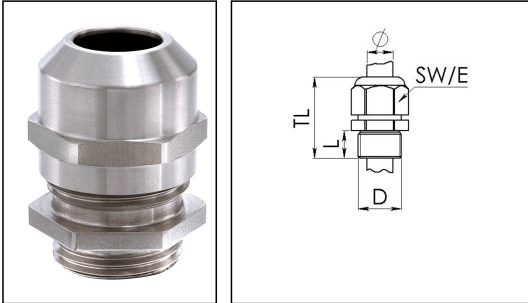


ESSKV 12

Cable gland, stainless steel



Product illustrations are exemplary and may differ from the chosen product. Further variants and individual customization, we will gladly provide you on request.



Material cable gland	Stainless steel A2 (1.4305)
Material clamping cage	Polyamide
Material sealing gasket	EPDM
Temp. range min	-40 °C
Temp. range max	100 °C
Protection class	IP68 (5 bar 30 min), IP69
Thread type	M
Ø Connection thread D	12
Lead	1,5
Length screw-in thread L	5 mm
Ø cable diameter min	3 mm
Ø cable diameter UL	4,1 mm - 6 mm
Ø cable diameter max	7 mm
Key width SW	17 mm
Collar diameter (E)	19 mm
Total length TL	23 mm - 30 mm
Type of cable anchorage	A
Install. torques fitting	4 N m
Install. torques cap nut	4 N m
Impact category	6
WISKA-Order no.	10069000
Type	ESSKV 12
Packing unit	10
ETIM-Classification	EC000441

Recommended accessories

RDE 12	10062183
BS 7	10064005
ESMU 12	10064188
MFD 12/04/020	10064392
MFD 12/02/020	10100525

23.09.2016

