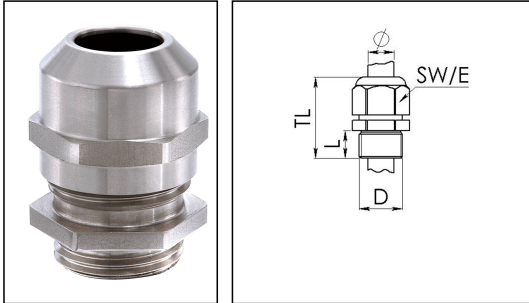


ESSKV 63

Cable gland, stainless steel



Product illustrations are exemplary and may differ from the chosen product. Further variants and individual customization, we will gladly provide you on request.



| | |
|--------------------------|-----------------------------|
| Material cable gland | Stainless steel A2 (1.4305) |
| Material clamping cage | Polyamide |
| Material sealing gasket | EPDM |
| Temp. range min | -40 °C |
| Temp. range max | 100 °C |
| Protection class | IP68 (5 bar 30 min), IP69 |
| Thread type | M |
| Ø Connection thread D | 63 |
| Lead | 1,5 |
| Length screw-in thread L | 10 mm |
| Ø cable diameter min | 34 mm |
| Ø cable diameter UL | 38,1 mm - 47,5 mm |
| Ø cable diameter max | 48 mm |
| Key width SW | 68 mm |
| Collar diameter (E) | 75 mm |
| Total length TL | 56 mm - 67 mm |
| Type of cable anchorage | A |
| Install. torques fitting | 40 N m |
| Install. torques cap nut | 40 N m |
| Impact category | 6 |
| WISKA-Order no. | 10069007 |
| Type | ESSKV 63 |
| Packing unit | 1 |
| ETIM-Classification | EC000441 |

Recommended accessories

| | |
|---|----------|
| RDE 63 | 10062189 |
| BS 48 | 10064019 |
| ESMU 63 | 10064195 |
| MFD 63/01/131-01/118-03/084-02/064 | 10101114 |
| MFD 63/03/065 | 10101201 |
| MFD 63/02/065-01/090 | 10101223 |

23.09.2016

