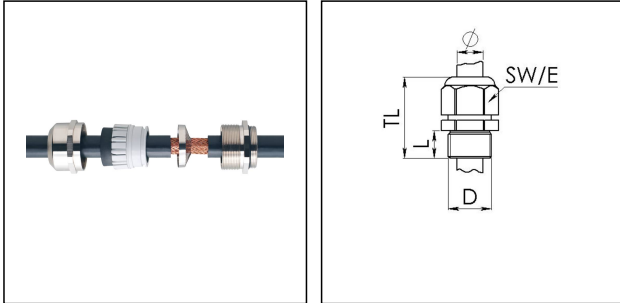


EMSKE 20 EMV-S

Ex-EMC-cable gland, brass



Product illustrations are exemplary and may differ from the chosen product. Further variants and individual customization, we will gladly provide you on request.



| | |
|----------------------------|---|
| Material cable gland | Brass nickel-plated |
| Material clamping cage | Polyamide |
| Material sealing gasket | EPDM |
| Temp. range min | -40 °C |
| Temp. range max | 75 °C |
| Protection class | IP66/IP68 (5 bar 30 min) |
| Marking | II 2 D Ex tb IIIC Db IP68, II 2 G Ex e IIC Gb |
| Approval | IECEX PTB 13.0027X, PTB 04 ATEX 1112 X |
| Thread type | M |
| Ø Connection thread D | 20 |
| Lead | 1,5 |
| Length screw-in thread L | 6 mm |
| Ø cable diameter min | 6 mm |
| Ø cable diameter max | 13 mm |
| Ø cable below cable shield | 9,5 mm |
| Key width SW | 24 mm |
| Collar diameter (E) | 27 mm |
| Total length TL | 29 mm - 37 mm |
| Install. torques fitting | 8 N m |
| Install. torques cap nut | 8 N m |
| Surface | Nickel-plated |
| Order no. nickel-plated | 10102973 |
| Type | EMSKE 20 EMV-S |
| Packing unit | 50 |

Recommended accessories

| | |
|--------------------|----------|
| RDE 20 | 10062185 |
| EMMU-EMV 20 | 10063212 |
| BS 13 | 10064010 |

23.09.2016

