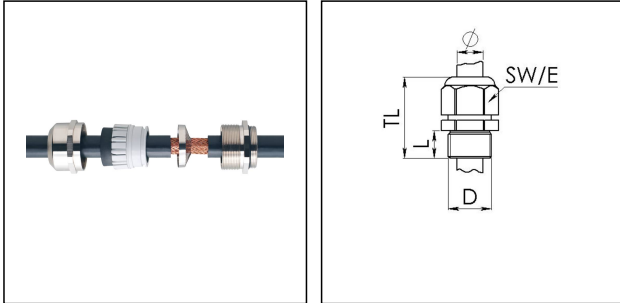


## EMSKE 25 EMV-S

Ex-EMC-cable gland, brass



Product illustrations are exemplary and may differ from the chosen product. Further variants and individual customization, we will gladly provide you on request.



Material cable gland	Brass nickel-plated
Material clamping cage	Polyamide
Material sealing gasket	EPDM
Temp. range min	-40 °C
Temp. range max	75 °C
Protection class	IP66/IP68 (5 bar 30 min)
Marking	II 2 D Ex tb IIIC Db IP68, II 2 G Ex e IIC Gb
Approval	IECEX PTB 13.0027X, PTB 04 ATEX 1112 X
Thread type	M
Ø Connection thread D	25
Lead	1,5
Length screw-in thread L	7 mm
Ø cable diameter min	10 mm
Ø cable diameter max	17 mm
Ø cable below cable shield	16 mm
Key width SW	29 mm
Collar diameter (E)	32 mm
Total length TL	33 mm - 42 mm
Install. torques fitting	10 N m
Install. torques cap nut	10 N m
Surface	Nickel-plated
Order no. nickel-plated	10102974
Type	EMSKE 25 EMV-S
Packing unit	50

Recommended accessories

<b>RDE 25</b>	10060768
<b>EMMU-EMV 25</b>	10063213
<b>BS 17</b>	10064012

23.09.2016

