

### General ordering data

Order No.	1020100000
Short text for material	WDU 4
EAN	4008190150617
Qty	100

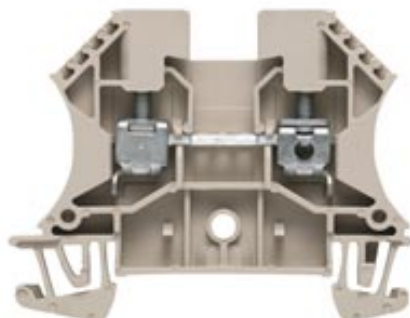
### Product notes

Note, ordering data

Rated voltage 400V when using cross-connection ZQV  
See section "W-series accessories" for colours available.

Note, technical data

Note max. current of terminal (41 A) when using WQV.



### Additional technical data

Type of connection	screwed
No. of identical terminals	1
Version	Feed-through terminal
Type of mouting	clipped
UL 94 flammability rating of insulation material	V-0
Installation advice	TS 35
Colour of insulating material	dark beige
Insulating material	Wemid
Open sides	right
Operating temperature range	- 50 °C, + 120 °C
Connection direction	on side
Product range	W-Series
No. of levels	1
Levels cross-connected internally	No
No. of terminal strips per level	2
Explosion-tested version "Ex e"	Yes
End plate required	Yes

### CSA rating data

CSA current	35 A
Min. cross-section (CSA)	AWG 26
Voltage CSA	600 V
Max. cross-section (CSA)	AWG 10

### Conductors for clamping (1) with equal cross-section (rated connection)

Flexible with ferrule, max. (DIN 46228 pt 1)	1,5 mm <sup>2</sup>
Flexible, max.	1,5 mm <sup>2</sup>
Solid, max.	2,5 mm <sup>2</sup>
Solid, min.	0,5 mm <sup>2</sup>
Flexible with ferrule, min. (DIN 46228 pt 1)	0,5 mm <sup>2</sup>
Flexible, min.	0,5 mm <sup>2</sup>

### Conductors for clamping (rated connection)

Stripping length	10 mm
Flexible, min.	0,5 mm <sup>2</sup>
2nd type of connection	screwed
Solid, min.	0,5 mm <sup>2</sup>
Twin wire-end ferrule, min.	0,50 mm <sup>2</sup>
Zwillings-AEH, max.	2,50 mm <sup>2</sup>
Type of connection	Screw connection
No. of connections	2
Torque level with DMS electric screwdriver	2
Tightening torque range	0.5...1.0 Nm
Solid, max.	6 mm <sup>2</sup>
Flexible, max.	6 mm <sup>2</sup>
flexible w. ferrule AEH, max. DIN 46228-1	4 mm <sup>2</sup>
Flexible, max., ferrule with plastic collar (DIN 46228 pt 4)	4 mm <sup>2</sup>
flexible w. ferrule AEH, min. DIN 46228-1	0,5 mm <sup>2</sup>
Flexible, min., ferrule with plastic collar (DIN 46228 pt 4)	0,5 mm <sup>2</sup>
Clamping range, max.	6 mm <sup>2</sup>
Clamping range, min.	0,13 mm <sup>2</sup>
Clamping screw	M 3
Blade size	0.6 x 3.5 mm
Gauge to IEC 60947-1	A4
AWG conductor size, max.	5,26 mm <sup>2</sup>
AWG conductor size, max.	AWG 10
Stranded, max.	6 mm <sup>2</sup>
Stranded, min.	1,5 mm <sup>2</sup>
AWG conductor size, min.	0,13 mm <sup>2</sup>
AWG conductor size, min.	AWG 26
Connection direction	on side

### Dimensions

TS 35 offset	15 mm
Length	60 mm
Weight	10,40 g
Width	6,1 mm
Height of lowest version	47 mm

### Disconnect terminals

Torque level with DMS electric screwdriver	2
--	---

### EN 60079-7 rating data

Voltage at cross-connection DU+QV/PE with end plate	750 V
Marking ATEX Directive 94/9/EC	II 2 G D
Voltage at cross-connection DU+QV skipping	110 V
Marking ATEX Directive 94/9/EC	Ex II 2 G D
Voltage at cross-connection DU+QV/PE	420 V
Current Ex e	28 A
Marking EN 60079-7	Ex e II
Voltage Ex e	690 V
EC conformity verification certificate	KEMA 98ATEX1683 U
Voltage at cross-connection DU+QV/DU	750 V
Voltage Ex i, EN 50020	60 V

### Rating data

Rated cross-section	4 mm <sup>2</sup>
Rated voltage	800 V
Rated impulse withstand voltage	8 kV
Rated current	32 A
Norm	IEC 60947-7-1
Current with max. conductor	41 A
Pollution severity	3

### UL rating data

Voltage UL	600 V
Current (UL)	35 A
Max. cross-section (UL)	AWG 10
Min. cross-section (UL)	AWG 22

### Approvals

Approvals



### Downloads

STEP	1020100000_09253_WDU_4_STP.s
------	------------------------------

### Classifications

ETIM 2.0	EC000897
ETIM 3.0	EC000897
eClass 4.1	27-14-11-20
eClass 5.0	27-14-11-20
eClass 5.1	27-14-11-20

Identical profiles from 2.5 to 10 mm<sup>2</sup> with uniform end and partition plates. An unsurpassed combination of many advantages!

Their small size compared to the respective rated cross-section makes the modular terminals with the compact design very popular.

### Related products

Order No.	Short text for material
1020180000	WDU 4 BL
1037810000	WDU 4 BR
1020120000	WDU 4 GE
1020160000	WDU 4 GN
1037800000	WDU 4 GR
1036760000	WDU 4 OR
1020140000	WDU 4 RT
1020110000	WDU 4 SW
1036700000	WDU 4 WS
1021000000	WDU 4/10
1020900000	WDU 4/10/BEZ