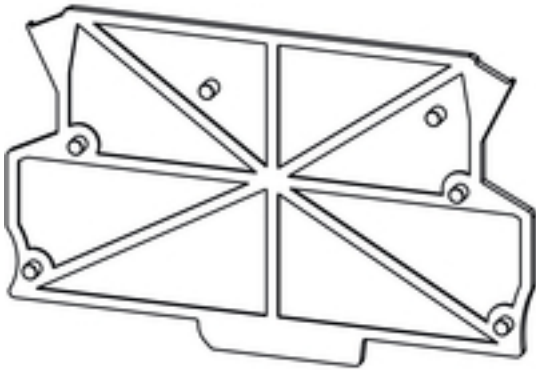


MCZ SERIES
AP MCZ1.5

Weidmüller Interface GmbH & Co. KG
Klingenbergstraße 16
D-32758 Detmold
Germany
Fon: +49 5231 14-0
Fax: +49 5231 14-292083
www.weidmueller.com



End plates: for electronic components with terminal-block design.

General ordering data

Type	AP MCZ1.5
Order No.	8389030000
Version	End plate, MCZ SERIES grey-beige, End plate, Width: 1.5 mm
GTIN (EAN)	4008190386849
Qty.	50 pc(s).

Data sheet

MCZ SERIES AP MCZ1.5

Weidmüller Interface GmbH & Co. KG
 Klingenbergstraße 16
 D-32758 Detmold
 Germany
 Fon: +49 5231 14-0
 Fax: +49 5231 14-292083
 www.weidmueller.com

Technical data

Dimensions and weights

Length	91 mm	Length (inches)	3.583 inch
Width	1.5 mm	Width (inches)	0.059 inch
Height	55.85 mm	Height (inches)	2.199 inch
Net weight	5.961 g		

Temperatures

Temperature range, installation, min.	-25 °C	Temperature range, installation, max.	120 °C
---------------------------------------	--------	---------------------------------------	--------

General data

Installation advice	Direct mounting
---------------------	-----------------

Classifications

ETIM 3.0	EC000886	ETIM 5.0	EC000886
ETIM 6.0	EC000886	UNSPSC	30-21-18-27
eClass 5.1	27-14-11-33	eClass 6.2	27-14-92-14
eClass 7.1	27-14-11-33	eClass 8.1	27-14-11-33
eClass 9.0	27-14-11-33	eClass 9.1	27-14-11-33

Approvals

Approvals



ROHS	Conform
------	---------

Downloads

Brochure/Catalogue	FL ANALO.SIGN.CONV. EN MB DEVICE MANUF. EN CAT 4.1 ELECTR 16/17 EN CAT 4.2 ELECTR 15/16 EN CAT 2 PORTFOLIOGUIDE EN FL MACHINE SAFETY EN FL 72H SAMPLE SER EN PO OMNIMATE EN
Engineering Data	EPLAN, WSCAD, Zuken E3.S

Data sheet

**MCZ SERIES
AP MCZ1.5**

Weidmüller Interface GmbH & Co. KG
Klingenbergstraße 16
D-32758 Detmold
Germany
Fon: +49 5231 14-0
Fax: +49 5231 14-292083
www.weidmueller.com

Drawings

