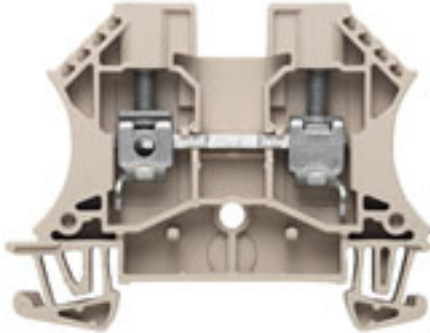


**W-series terminal with clamping yoke connection
WDU 6**

Weidmüller Interface GmbH & Co. KG
Klingenbergstraße 16
D-32758 Detmold
Germany
Fon: +49 5231 14-0
Fax: +49 5231 14-2083
www.weidmueller.com



The versatile and extensive range of products - from 0.05 mm² to 300 mm² - means that you have diverse options for your applications at your disposal.

Hardened steel for mechanical strength and high-quality tinned copper for optimum conductivity. All materials comply with RoHS requirements and have been tested to current environment guidelines.

General ordering data

Order No.	1020200000
Part designation	WDU 6
Version	W-series terminal with clamping yoke connection, Feed-through terminal, Rated cross-section: 6 mm ² , Screw connection, Direct mounting
GTIN (EAN)	4008190163440
Qty.	100 pc(s).

**W-series terminal with clamping yoke connection
WDU 6**

Weidmüller Interface GmbH & Co. KG
Klingenbergstraße 16
D-32758 Detmold
Germany
Fon: +49 5231 14-0
Fax: +49 5231 14-2083
www.weidmueller.com

Technical data

Dimensions

Length	60 mm	Width	7.9 mm
Height	47 mm	Weight	14.8 g

Temperature

Ambient temperature (operational)	-50 °C...+120 °C	Storage temperature	
-----------------------------------	------------------	---------------------	--

CSA ratings data

Certificate no.	200039-1057876	Voltage size C	600 V
Current size C (CSA)	50 A	Conductor cross-section, max.	8 AWG
Conductor cross-section, min.	22 AWG		

UL ratings data

Certificate no.	E60693VOL1SEC38	Voltage size C	600 V
Current size C (UR)	50 A	Conductor size Factory wiring, max	8 AWG
Conductor size Factory wiring, min	22 AWG	Conductor size Field wiring, max	8 AWG

IECEX/ATEX rating data

Certificate no.	KEMA98ATEX1683U	ATEX certificate	KEMA98ATEX1683U_d.pdf
ATEX certificate	KEMA98ATEX1683U_e.pdf	Certificate no.	IECEXULD05.0008U
max. voltage	550 V	Current (ATEX)	36 A
Conductor cross-section, max.	6 mm ²	max. voltage	550 V
Current (IECEX)	36 A	Conductor cross-section, max.	6 mm ²
Voltage when using cross-connections		Operating temperature range	For operating temperature range see EC Design Test Certificate / IEC Ex-Certificate of Conformity
Marking EN 60079-7	CrossConnectionGuide.pdf Ex e II		

Material data

Material	Wemid	Colour	dark beige
Flammability class UL 94	V-0		

System specifications

Product family	W-series terminal with clamping yoke connection	Type of connection	Screw connection
Connection direction	on side	Number of levels	1
No. of connections	2	No. of clamping points per level	2
Levels cross-connected internally	No	Mounting rail	TS 35
End cover plate required	Yes		

2 clampable conductors (H05V/H07V) with equal cross-section (rated connection)

Conductor cross-section, solid, 2 clampable conductor	0.5 mm ²	Solid, max.	2.5 mm ²
Flexible, min.	0.5 mm ²	Flexible, max.	2.5 mm ²
Conductor cross-section, flexible plus plastic collar DIN 46228/1, 2 clampable conductor, min.	0.5 mm ²	Conductor cross-section, flexible plus plastic collar DIN 46228/1, 2 clampable conductor, max.	2.5 mm ²

**W-series terminal with clamping yoke connection
WDU 6**

Weidmüller Interface GmbH & Co. KG
Klingenbergstraße 16
D-32758 Detmold
Germany
Fon: +49 5231 14-0
Fax: +49 5231 14-2083
www.weidmueller.com

Technical data

Additional technical data

Explosion-tested version	Yes	Installation advice	Direct mounting
Number of identical terminals	1	Open sides	right
Type of mounting	Snap-on		

Conductors for clamping (additional connection)

Rated current	41 A	Type of connection	Screw connection
Clamping screw	M 3.5	Blade size	4.0 x 0.8 mm
Tightening torque, max.	1.6 Nm	Tightening torque, min.	0.8 Nm
Conductor connection cross-section AWG, min.	AWG 26	Conductor connection cross-section AWG, max.	AWG 8

Conductors for clamping (rated connection)

Type of connection	Screw connection	Stripping length	12 mm
Blade size	4.0 x 0.8 mm	Connection direction	on side
No. of connections	2	Clamping range, min.	0.22 mm ²
Clamping range, max.	10 mm ²	Clamping screw	M 3.5
Tightening torque, min.	0.8 Nm	Tightening torque, max.	1.6 Nm
Torque setting with DMS electric screwdriver	3	Gauge to IEC 60947-1	A5
Conductor cross-section, solid, min.	0.5 mm ²	Conductor cross-section, solid, max.	10 mm ²
Stranded, min.	1.5 mm ²	Stranded, max.	10 mm ²
Conductor cross-section, flexible, max.	10 mm ²	Conductor cross-section, flexible plus plastic collar DIN 46228/1, rated connection, min.	0.5 mm ²
Conductor cross-section, flexible plus plastic collar DIN 46228/1, rated connection, max.	6 mm ²	Conductor cross-section, flexible AEH plus plastic collar DIN 46228/4, rated connection, min.	0.5 mm ²
Conductor cross-section, flexible AEH plus plastic collar DIN 46228/4, rated connection, max.	6 mm ²	Twin wire-end ferrule, min.	0.5 mm ²
Twin wire-end ferrule, max.	4 mm ²	Conductor connection cross-section AWG, min.	AWG 26
Conductor connection cross-section AWG, max.	AWG 8		

Rating data

Rated cross-section	6 mm ²	Rated voltage	800 V
Rated impulse withstand voltage	8 kV	Rated current	41 A
Current with max. conductor	57 A	Standards	IEC 60947-7-1
Pollution severity	3		

Approvals

Approvals institutes	BURVER; CSA; CSAEX; CURUSEX; DETNORVER; GERMLLOYD; GOSTEX; GOSTME25; IECEXULD; KEMAATEX; KEMAKEUR; LLOYDSREG; MARITREG; NEMKO; RINA; UR; CE
----------------------	---

Classifications

ETIM 2.0	EC000897	ETIM 3.0	EC000897
UNSPSC	30-21-18-11	eClass 4.1	27-14-11-20
eClass 5.1	27-14-11-20	eClass 6.0	EC27141120

Creation date December 28, 2010 3:13:08 PM CET

**W-series terminal with clamping yoke connection
WDU 6**

Weidmüller Interface GmbH & Co. KG
Klingenbergstraße 16
D-32758 Detmold
Germany
Fon: +49 5231 14-0
Fax: +49 5231 14-2083
www.weidmueller.com

Technical data**Product notes**

Note, ordering data	For colours available see section W-series accessories "Specific functions"
Note, accessories	Socket and test plug refer to W-series Accessories section Only 400 V when using the shielding rail LS 2,8 1056400000.
Product description	<p>Identical profiles from 2.5 to 10 mm² with uniform end and partition plates. An unsurpassed combination of many advantages!</p> <p>Their small size compared to the respective rated cross-section makes the modular terminals with the compact design very popular.</p>

Downloads

STEP	1020200000_09254_WDU_6_STP.stp
3D model	

Datasheet

**W-series terminal with clamping yoke connection
WDU 6**

Weidmüller Interface GmbH & Co. KG
Klingenbergstraße 16
D-32758 Detmold
Germany
Fon: +49 5231 14-0
Fax: +49 5231 14-2083
www.weidmueller.com

Drawings

