

Mini Horns Sirens Buzzer / Horn 584

**Signal horn WM Contin. tone 230VAC GY**

Part No.: 584.000.68

**MECHANICAL DATA**

|                              |                             |
|------------------------------|-----------------------------|
| Length                       | 91 mm                       |
| Width                        | 83 mm                       |
| Height                       | 198 mm                      |
| Diameter                     | 83 mm                       |
| Materials                    | PC<br>PC/ABS                |
| Housing colour               | Grey                        |
| Protection category          | IP65                        |
| Connection                   | Screw terminals             |
| cross-sectional area maximum | 1,50mm <sup>2</sup> / 16AWG |
| Cable entry                  | Membrane grommet            |
| Cable entry minimum          | d = 1 mm                    |
| Cable entry maximum          | d = 9 mm                    |
| Tension relief               | Pull-out protection         |
| Type of fixing               | Wall mounting               |
| Working temperature minimum  | -20°C                       |
| Working temperature maximum  | +50°C                       |
| Weight with packaging        | 205 g                       |
| Product weight               | 155 g                       |

**ELECTRICAL DATA**

|                             |                          |
|-----------------------------|--------------------------|
| Operating voltage           | 230V                     |
| Operating voltage type      | AC                       |
| Operating voltage frequency | 50Hz                     |
| Operating voltage tolerance | +/- 10%                  |
| Rated operational voltage   | 230 VAC                  |
| Rated operational current   | 70 mA                    |
| Rated inrush current        | 1.000 mA                 |
| Protection class            | Protection class 2       |
| Pollution degree            | 3                        |
| Overvoltage category        | II                       |
| Isolation voltage           | Ui = 250V; Uimp = 2.500V |

**ACOUSTIC DATA**

|                             |                 |
|-----------------------------|-----------------|
| Volume (max) at 1m distance | 98,0 dB (A)     |
| Acoustic signal image       | Continuous tone |
| Audio frequency             | 110 Hz          |
| Acoustic service life       | 5,000 h minimum |



For additional installation and mounting information, refer to the appropriate user guide at [www.werma.com](http://www.werma.com). This printed copy is for information only and is subject to alteration.

Mini Horns Sirens Buzzer / Horn 584

**Signal horn WM Contin. tone 230VAC GY**

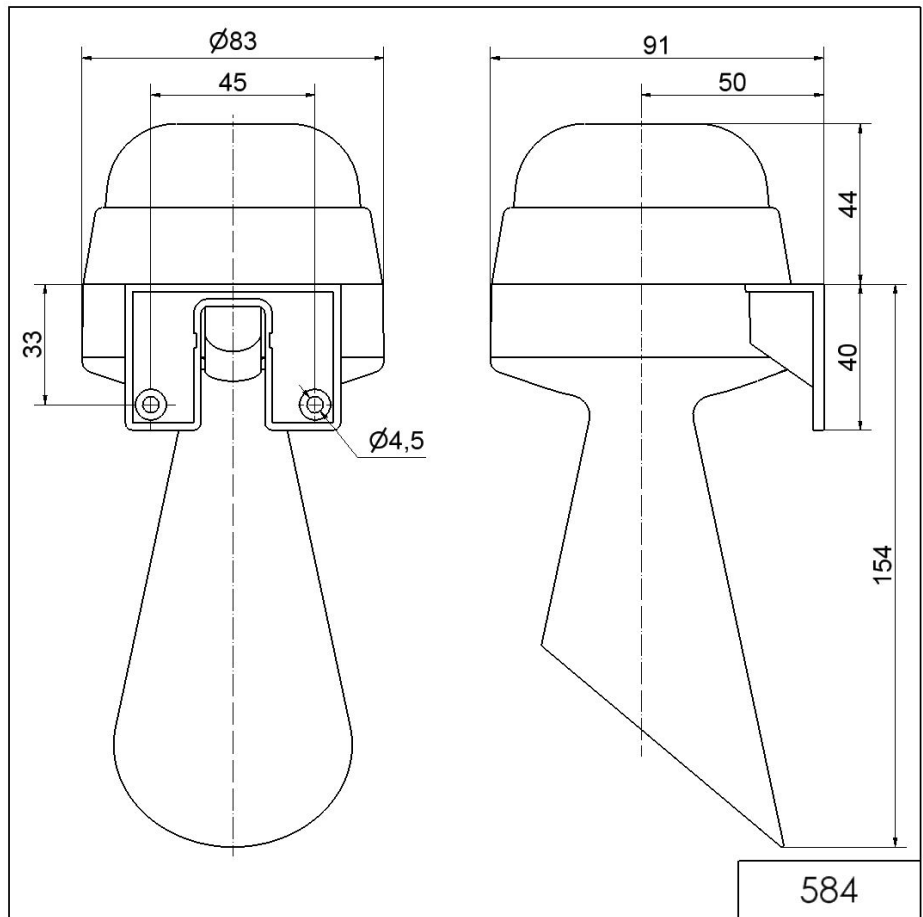
| APPROVAL DATA                 |                       |
|-------------------------------|-----------------------|
| Conforms with CE              | Yes                   |
| WEEE                          | Yes                   |
| Conforms with RED directive   | No                    |
| Conforms with ATEX-directive  | No                    |
| Conforms with CCC             | No                    |
| Conforms with UL              | No                    |
| Conforms with FCC             | No                    |
| Conforms with IC              | No                    |
| EAC certificate available     | Yes                   |
| Conforms with UKCA (Importer) | Yes (WERMA (UK) Ltd.) |
| Conforms with AS-I            | No                    |
| ICAO Certification            | No                    |
| Conforms with DNV             | No                    |
| Conforms with RoHS CN         | No                    |
| Conforms with VdS             | No                    |

**!** For additional installation and mounting information, refer to the appropriate user guide at [www.werma.com](http://www.werma.com). This printed copy is for information only and is subject to alteration.

Mini Horns Sirens Buzzer / Horn 584

**Signal horn WM Contin. tone 230VAC GY**

**DRAWING**



For additional installation and mounting information, refer to the appropriate user guide at [www.werma.com](http://www.werma.com). This printed copy is for information only and is subject to alteration.