

(provisional technical data sheet)

Electrical specifications:

Operating voltage: Unenn = max. 250V
Bulb: max. 7W
Working life: depending on the bulb used

Order-No.:

840 X00 00 Permanent light element
X 1=red 2=green 3=yellow 4=clear 5=blue

Mechanical specifications:

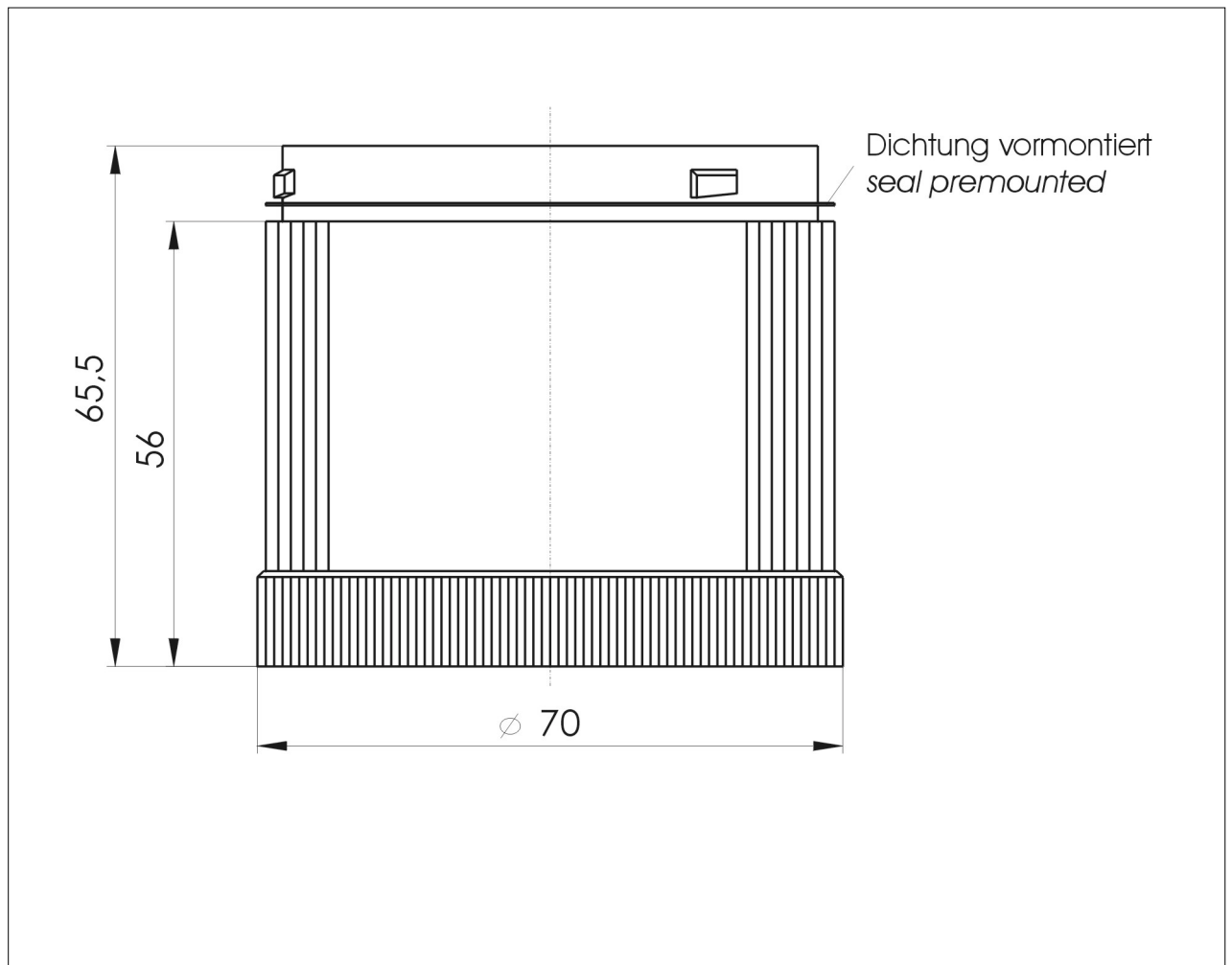
Material: Polycarbonate
Socket: B15d (Bayonet)
Seal: premounted with each element

Further specifications:

Mass: ca. 76g
Temperature: ta -20°C bis +60°C
Protection rating: IP 54 when mounted or with cap

Regulations: approved to VDE 0711-EN 60598
UL and CSA listed

Note: All electrical and working life specifications refer to Unenn and room temperature !



	Erstellt	Geprüft	Freigegeben		
Name	B. Walter	S. Neumann	H. Elsäßer	Data sheet-No.	000 840 505
Datum:	11.11.1997	21.11.1997	08.12.1997		Page 1 of 1