

Systems for optimising production / Accessories  
**Base for tube D25mm, pl. GY**



**Part No.:** 960.000.50

MECHANICAL DATA	
Height	37 mm
Diameter	70 mm
Materials	PA-GF
Housing colour	Grey
Weight with packaging	43 g
Product weight	43 g

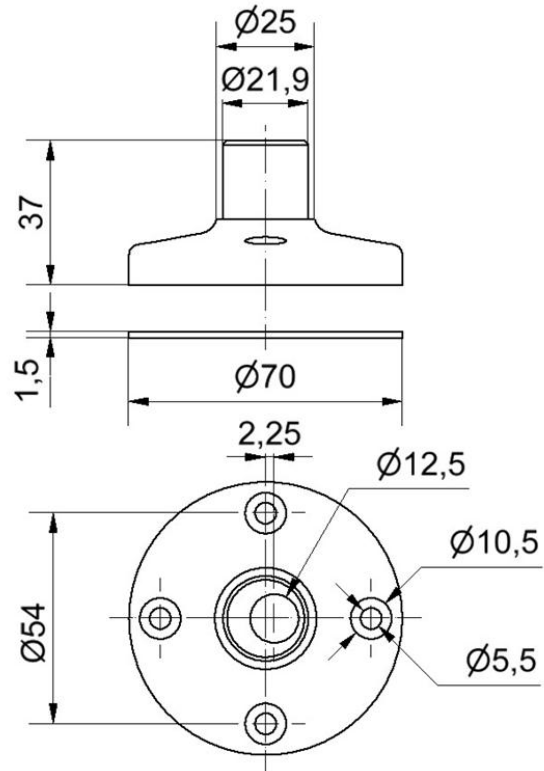
APPROVAL DATA	
CHARACT_DESCR	No
CHARACT_DESCR	Fulfills substance restriction
CHARACT_DESCR	No
CHARACT_DESCR	No
CHARACT_DESCR	No
CHARACT_DESCR	VALUE_CHARNo
CHARACT_DESCR	VALUE_CHAR
CHARACT_DESCR	No
CHARACT_DESCR	No
CHARACT_DESCR	No
CHARACT_DESCR	No
CHARACT_DESCR	No
CHARACT_DESCR	No
CHARACT_DESCR	No
CHARACT_DESCR	No

CHARACT_DESCR	
VALUE_CHAR	

**!** For additional installation and mounting information, refer to the appropriate user guide at [www.werma.com](http://www.werma.com). This printed copy is for information only and is subject to alteration.

Systems for optimising production / Accessories  
**Base for tube D25mm, pl. GY**

**DRAWING**



**!** For additional installation and mounting information, refer to the appropriate user guide at [www.werma.com](http://www.werma.com). This printed copy is for information only and is subject to alteration.