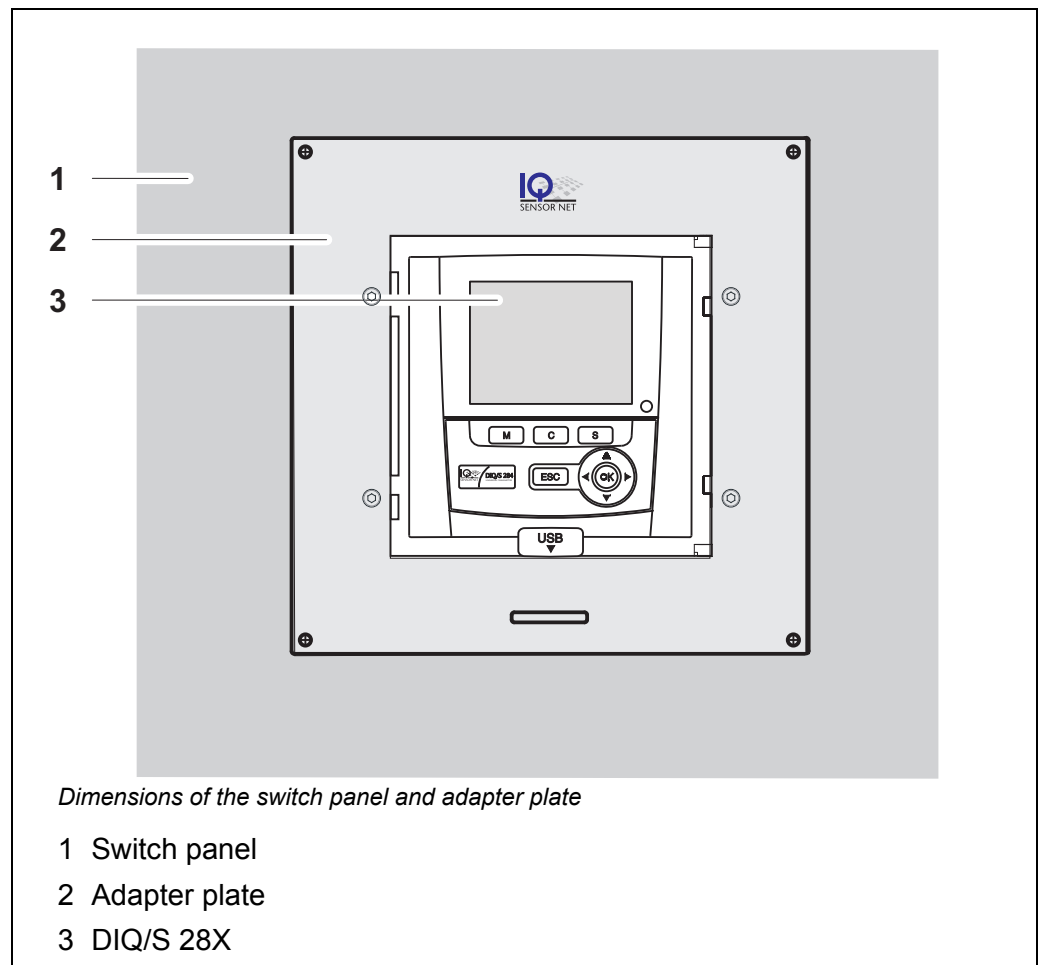
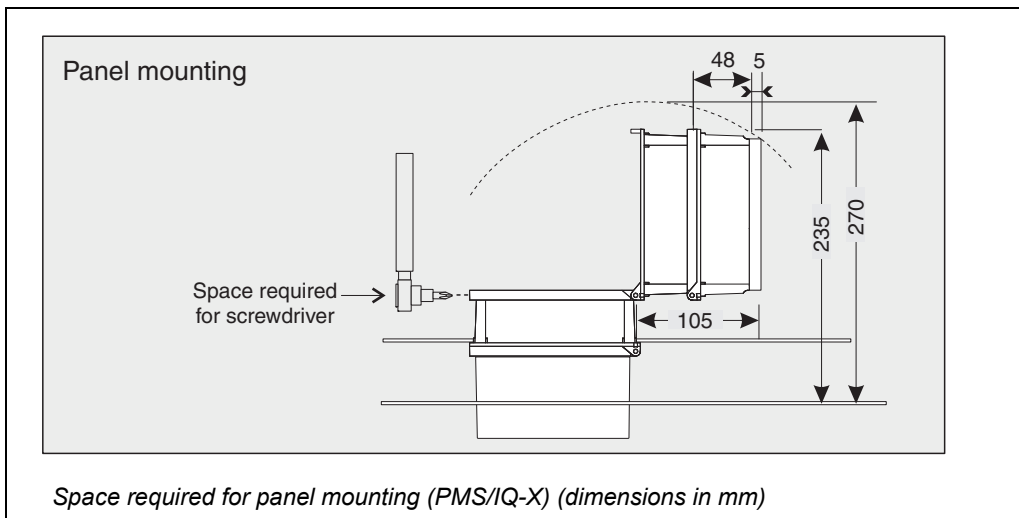


PMS/IQ-X

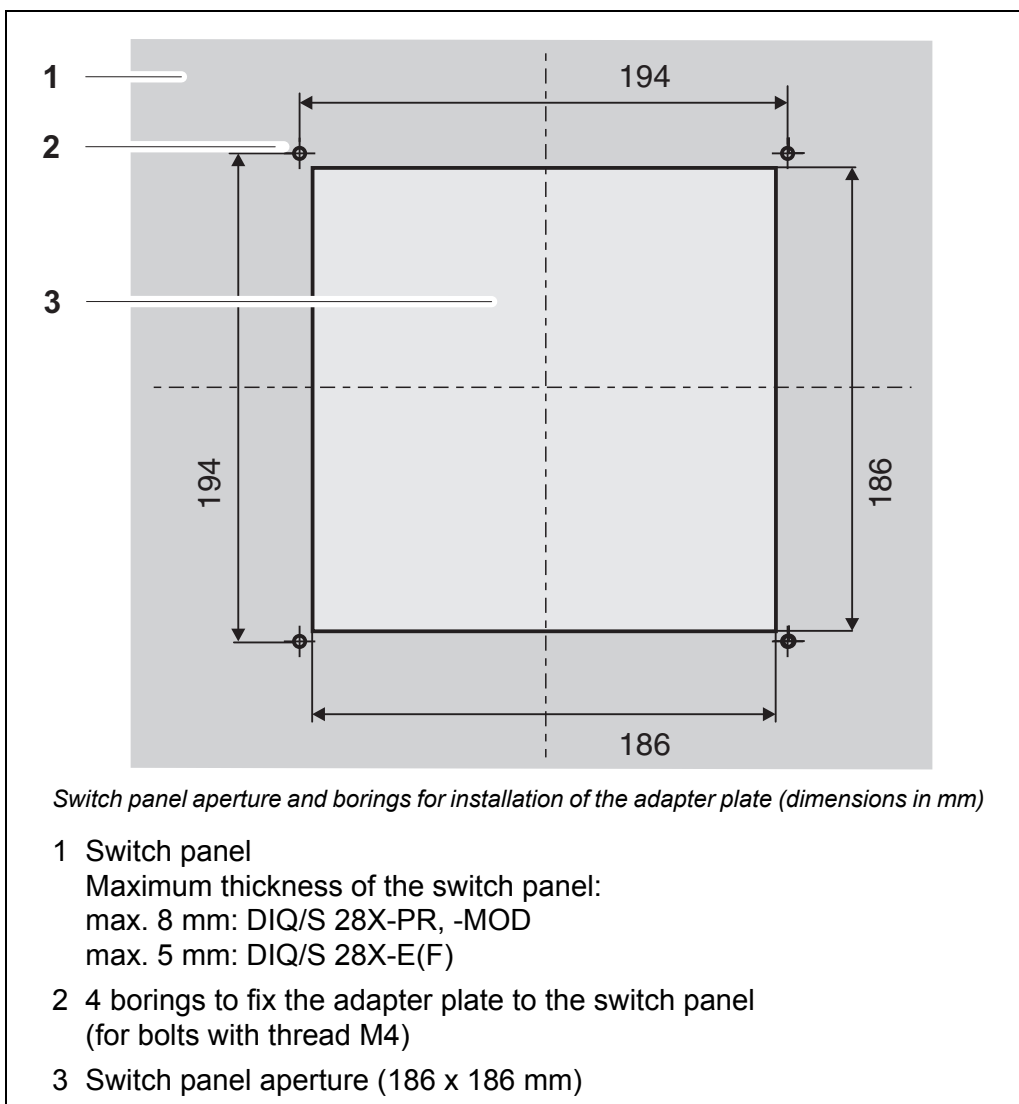
The PMS/IQ-X set for switch panel mounting is used to mount a DIQ/S 28X-E(F), -PR, -MOD so that the connections for the Ethernet or fieldbus interfaces are behind the switch panel.



Space required for switch panel mounting (PMS/IQ-X)



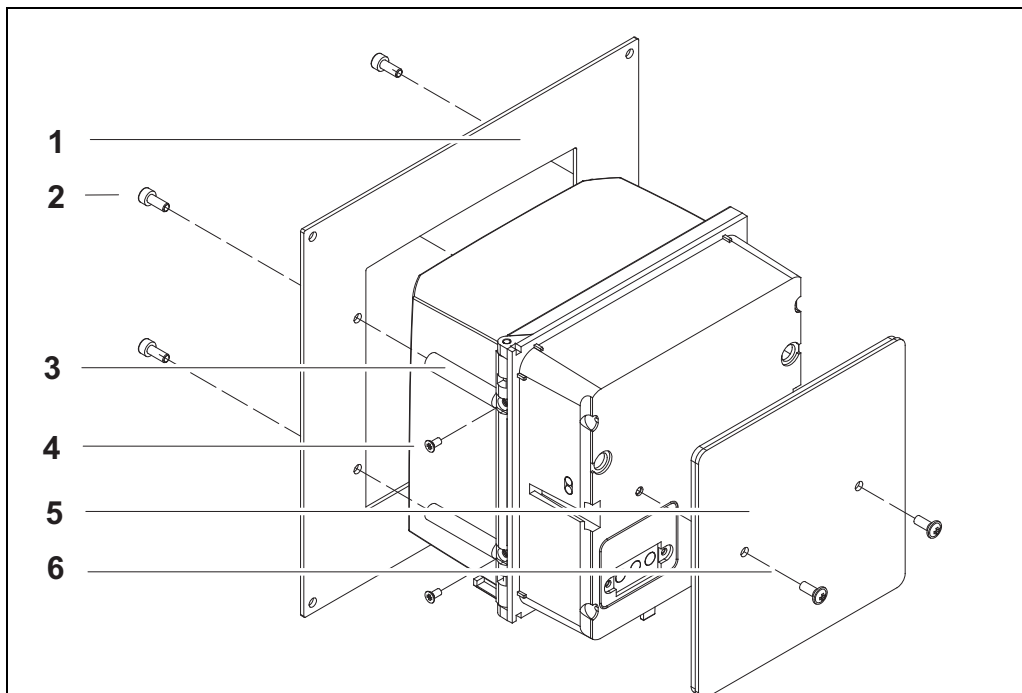
Preparing the switch panel



**Materials and tools
required additionally**

- 3 mm Allen key
- Phillips head screwdriver
- 4 bolts (M4, approx. 15 mm long) to fix the adapter plate to the switch panel

**Mounting the DIQ/
S 28X into the
adapter plate**



Switch panel mounting with PMS/IQ-X

1 Adapter plate

Borings (inside) to fix the distancing pieces to the adapter plate
Borings (outside) to fix the adapter plate to the switch panel

2 Hexagon socket screws to fix the distancing pieces to the adapter plate

3 Distancing pieces with borings for the Phillips-head screws (4)

4 Phillips-head screws to fix the distancing pieces to the DIQ/S 28X

5 Impact protection plate

6 Bolts to fix the impact protection plate (5)

- 1 On the printed side of the adapter plate (1), plug the 4 hexagon socket screws (2) through the inside borings and screw them loosely to the distancing pieces (3).
- 2 Put the adapter plate (1) with the distancing pieces (3) on the DIQ/S 28X[-...] from the front.
- 3 Rotate the 4 distancing pieces (3) so that each boring is exactly above the boring (for a plastic self-cutting screw) on the DIQ/S 28X.

- 4 Using the 4 Phillips-head screws (4), attach the 4 distancing pieces (3) to the DIQ/S 28X.
- 5 Tighten the 4 hexagon socket screws (2) until the adapter plate (1) sits tightly on the DIQ/S 28X.
- 6 Fix the impact protection plate (5) on the back of the DIQ/S 28X with the 2 bolts (6).

**Mounting the
DIQ/S 28X with
adapter plate into
the switch panel**

- 1 Insert the DIQ/S 28X with the mounted adapter plate into the switch panel aperture so that the adapter plate (1) rests against the switch panel.
- 2 Screw the adapter plate (1) to the switch panel through the outside borings using bolts (e.g. M4, not included in the scope of delivery).