

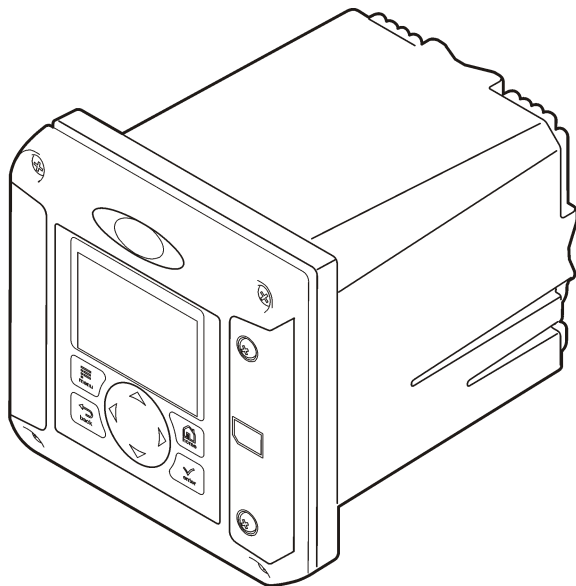


LANGE

DOC023.98.80040

sc200 Controller

11/2013, Edition 7



Basic User Manual
Basis-Bedienungsanleitung
Manuale dell'utente di base
Manuel d'utilisation de base
Manual básico del usuario
Manual de operações básicas
Základní uživatelská příručka
Grundlæggende brugervejledning
Basisgebruikershandleiding
Podstawowa instrukcja obsługi
Grundläggande bruksanvisning
Peruskäyttöohje
Основно ръководство за потребителя
Alapvető felhasználói útmutató
Manual de bază al utilizatorului
Bendroji naudotojo instrukcija
Начальное руководство пользователя
Temel Kullanıcı Kılavuzu
Základný návod na použitie
Osnovni uporabniški priročnik
Osnovni korisnički priručnik
Βασικό εγχειρίδιο λειτουργίας
Kokkuvõtlik kasutusjuhend
Osnovno korisničko uputstvo
دليل المستخدم الأساسي

English	3
Deutsch	29
Italiano	56
Français	83
Español	110
Português	137
Čeština	163
Dansk	189
Nederlands	215
Polski	242
Svenska	268
Suomi	294
български	319
Magyar	346
Română	373
lietuvių kalba	400
Русский	427
Türkçe	454
Slovenský jazyk	479
Slovenski	506
Hrvatski	531
Ελληνικά	556
eesti keel	583
Српски	609
العربية	636

Table of contents

[Specifications](#) on page 3

[General information](#) on page 4

[Installation](#) on page 7

[User interface and navigation](#) on page 22

[System startup](#) on page 25

[Maintenance](#) on page 26

[Troubleshooting](#) on page 26

Additional information

Additional information is available on the manufacturer's website.

Specifications

Specifications are subject to change without notice.

Specification	Details
Component description	Microprocessor-controlled and menu-driven controller that operates the sensor and displays measured values.
Operating temperature	-20 to 60 °C (-4 to 140 °F); 95% relative humidity, non-condensing with sensor load <7 W; -20 to 50 °C (-4 to 104 °F) with sensor load <28 W
Storage temperature	-20 to 70 °C (-4 to 158 °F); 95% relative humidity, non-condensing
Enclosure ¹	NEMA 4X/IP66 metal enclosure with a corrosion-resistant finish
Power requirements	AC powered controller: 100-240 VAC ±10%, 50/60 Hz; Power 50 VA with 7 W sensor/network module load, 100 VA with 28 W sensor/network module load (optional Modbus, RS232/RS485, Profibus DPV1 or HART network connection).
	24 VDC powered controller: 24 VDC—15%, + 20%; Power 15 W with 7 W sensor/network module load, 40 W with 28 W sensor/network module load (optional Modbus, RS232/RS485, Profibus DPV1 or HART network connection).
Altitude requirements	Standard 2000 m (6562 ft) ASL (Above Sea Level)
Pollution degree/Installation category	Pollution Degree 2; Installation Category II
Outputs	Two analog (0-20 mA or 4-20 mA) outputs. Each analog output can be assigned to represent a measured parameter such as pH, temperature, flow or calculated values. Optional module supplies three additional analog outputs (5 total).
Relays	Four SPDT, user-configured contacts, rated 250 VAC, 5 Amp resistive maximum for the AC powered controller and 24 VDC, 5A resistive maximum for the DC powered controller. Relays are designed for connection to AC Mains circuits (i.e., whenever the controller is operated with 115 - 240 VAC power) or DC circuits (i.e., whenever the controller is operated with 24 VDC power).
Dimensions	½ DIN—144 x 144 x 180.9 mm (5.7 x 5.7 x 7.12 in.)
Weight	1.7 kg (3.75 lb)
Compliance information ²	CE approved (with all sensor types). Listed for use in general locations to UL and CSA safety standards by ETL (with all sensor types). Certain AC mains powered models are listed for use in general safety locations to UL and CSA safety standards by Underwriters Laboratories (with all sensor types).
Digital communication	Optional Modbus, RS232/RS485, Profibus DPV1 or HART network connection for data transmission

Specification	Details
Data logging	Secure Digital Card (32 GB maximum) or special RS232 cable connector for data logging and performing software updates. The controller will keep approximately 20,000 data points per sensor.
Warranty	2 years

- ¹ Units that have the Underwriters Laboratories (UL) certification are intended for indoor use only and do not have a NEMA 4X/IP66 rating.
- ² DC powered units are not listed by UL.

General information

In no event will the manufacturer be liable for direct, indirect, special, incidental or consequential damages resulting from any defect or omission in this manual. The manufacturer reserves the right to make changes in this manual and the products it describes at any time, without notice or obligation. Revised editions are found on the manufacturer's website.

Safety information

NOTICE

The manufacturer is not responsible for any damages due to misapplication or misuse of this product including, without limitation, direct, incidental and consequential damages, and disclaims such damages to the full extent permitted under applicable law. The user is solely responsible to identify critical application risks and install appropriate mechanisms to protect processes during a possible equipment malfunction.

Please read this entire manual before unpacking, setting up or operating this equipment. Pay attention to all danger and caution statements. Failure to do so could result in serious injury to the operator or damage to the equipment.

Make sure that the protection provided by this equipment is not impaired. Do not use or install this equipment in any manner other than that specified in this manual.

Use of hazard information

▲ DANGER

Indicates a potentially or imminently hazardous situation which, if not avoided, will result in death or serious injury.

▲ WARNING

Indicates a potentially or imminently hazardous situation which, if not avoided, could result in death or serious injury.

▲ CAUTION





Indicates a potentially hazardous situation that may result in minor or moderate injury.

NOTICE

Indicates a situation which, if not avoided, may cause damage to the instrument. Information that requires special emphasis.

Precautionary labels

Read all labels and tags attached to the instrument. Personal injury or damage to the instrument could occur if not observed. A symbol on the instrument is referenced in the manual with a precautionary statement.

	This symbol, if noted on the instrument, references the instruction manual for operation and/or safety information.
	This symbol indicates that a risk of electrical shock and/or electrocution exists.
	This symbol indicates the presence of devices sensitive to Electro-static Discharge (ESD) and indicates that care must be taken to prevent damage with the equipment.
	Electrical equipment marked with this symbol may not be disposed of in European public disposal systems after 12 August of 2005. In conformity with European local and national regulations (EU Directive 2002/96/EC), European electrical equipment users must now return old or end-of-life equipment to the Producer for disposal at no charge to the user.

Certification

Canadian Radio Interference-Causing Equipment Regulation, IECS-003, Class A:

Supporting test records reside with the manufacturer.

This Class A digital apparatus meets all requirements of the Canadian Interference-Causing Equipment Regulations.

Cet appareil numérique de classe A répond à toutes les exigences de la réglementation canadienne sur les équipements provoquant des interférences.

FCC Part 15, Class "A" Limits

Supporting test records reside with the manufacturer. The device complies with Part 15 of the FCC Rules. Operation is subject to the following conditions:

1. The equipment may not cause harmful interference.
2. The equipment must accept any interference received, including interference that may cause undesired operation.

Changes or modifications to this equipment not expressly approved by the party responsible for compliance could void the user's authority to operate the equipment. This equipment has been tested and found to comply with the limits for a Class A digital device, pursuant to Part 15 of the FCC rules. These limits are designed to provide reasonable protection against harmful interference when the equipment is operated in a commercial environment. This equipment generates, uses and can radiate radio frequency energy and, if not installed and used in accordance with the instruction manual, may cause harmful interference to radio communications. Operation of this equipment in a residential area is likely to cause harmful interference, in which case the user will be required to correct the interference at their expense. The following techniques can be used to reduce interference problems:

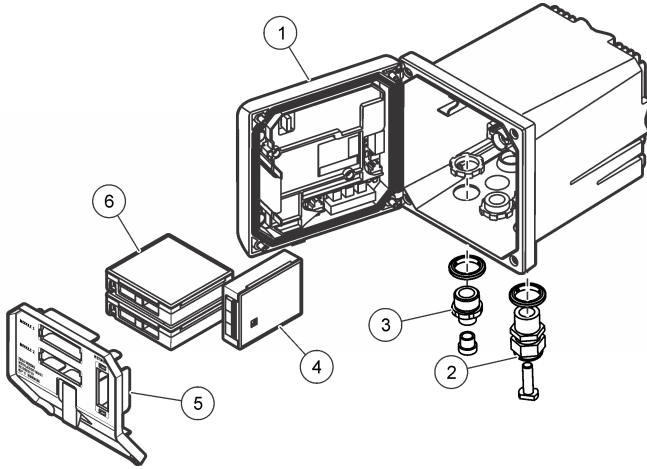
1. Disconnect the equipment from its power source to verify that it is or is not the source of the interference.
2. If the equipment is connected to the same outlet as the device experiencing interference, connect the equipment to a different outlet.
3. Move the equipment away from the device receiving the interference.
4. Reposition the receiving antenna for the device receiving the interference.
5. Try combinations of the above.

Product overview

The controller displays sensor measurements and other data, can transmit analog and digital signals, and can interact with and control other devices through outputs and relays. Outputs, relays, sensors and sensor modules are configured and calibrated through the user interface on the front of the controller.

Figure 1 shows the product components. Components may vary according to controller configuration. Contact the manufacturer if parts are damaged or missing.

Figure 1 System components



1 Controller	4 Network module (optional)
2 Strain relief assembly (optional depending on controller version)	5 High-voltage barrier
3 Digital connection fitting (optional depending on controller version)	6 Sensor modules (optional)

Sensors and sensor modules

The controller accepts up to a maximum of two sensor modules or two digital sensors (depending on the controller configuration), along with one communication module. A single digital sensor and a single sensor module can be installed in combination. A variety of sensors can be wired to the sensor modules. Sensor wiring information is given in the specific sensor manuals and in the user instructions for specific modules.

Relays outputs and signals

The controller has four configurable relay switches and two analog outputs. An optional analog output module can increase the number of analog outputs to five.

Device scans

With two exceptions, the controller automatically scans for connected devices without user input when it is powered on. The first exception is when the controller is powered on for the first time before initial use. The second exception is after the controller configuration settings have been set to their default values and the controller is powered on. In both cases, the controller first displays the language, date and time edit screens. After the language, date and time entries are accepted, the controller performs a device scan. Refer to [Connect a digital sc sensor](#) on page 21 for instructions about how to scan for devices when the controller is already powered on.

Controller enclosure

The controller enclosure is NEMA 4X/IP66-rated and has a corrosion-resistant finish designed to withstand corrosive environmental constituents such as salt spray and hydrogen sulfide. Protection against environmental damage is strongly recommended for outdoor use.

Note: Units that have the Underwriters Laboratories (UL) certification are intended for indoor use only and do not have a NEMA 4X/IP66 rating.

Controller mounting options

The controller can be mounted to a panel, to a wall or to a vertical or horizontal pipe. A neoprene sealing gasket is included and can be used to reduce vibration. The gasket can be used as a template for panel mounting before the inner gasket component is separated.

Installation

Mounting components and dimensions

▲ CAUTION

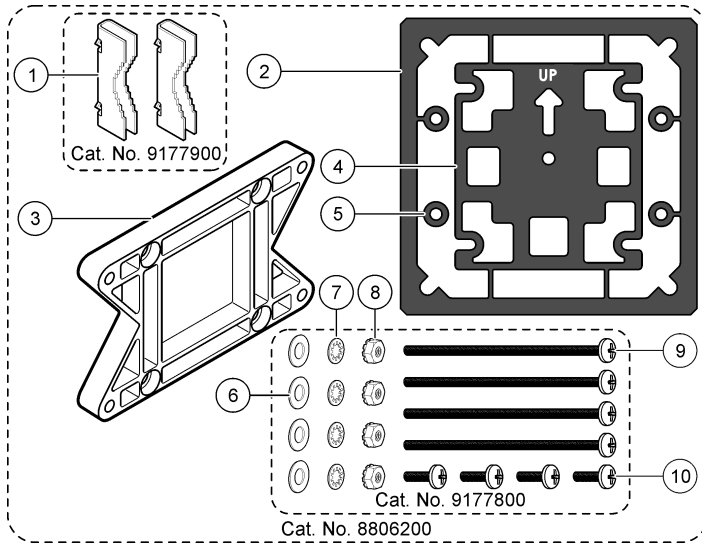
Personal injury hazard. Only qualified personnel should conduct the tasks described in this section of the manual.

The controller can be installed on a surface, panel or pipe (horizontal or vertical). For mounting options and instructions, refer to [Figure 2](#), [Figure 3](#) on page 9, [Figure 4](#) on page 10, [Figure 5](#) on page 11 and [Figure 6](#) on page 12.

For horizontal pipe mounts, the mounting feet ([Figure 2](#)) must be attached to the mounting bracket in a vertical position.

For both horizontal and vertical pipe mounts, attach the mounting bracket to the controller as shown in [Figure 5](#) on page 11.

Figure 2 Mounting components



1 Mounting foot (2x)	6 Flat washer, ¼-inch ID (4x)
2 Sealing gasket for panel mount, Neoprene	7 Lock washer, ¼-inch ID (4x)
3 Bracket for wall and pipe mounting	8 M5 x 0.8 Keps hexnut (4x)
4 Vibration isolation gasket for pipe mount	9 Pan head screws, M5 x 0.8 x 100mm (4x) (Used for variable diameter pipe mount installations)
5 Vibration isolation washer for pipe mount (4x)	10 Pan head screws, M5 x 0.8 x 15 mm (4x)

Note: A bracket for panel mounting is available as an optional accessory.

Controller mounting

Figure 3 Surface mounting dimensions

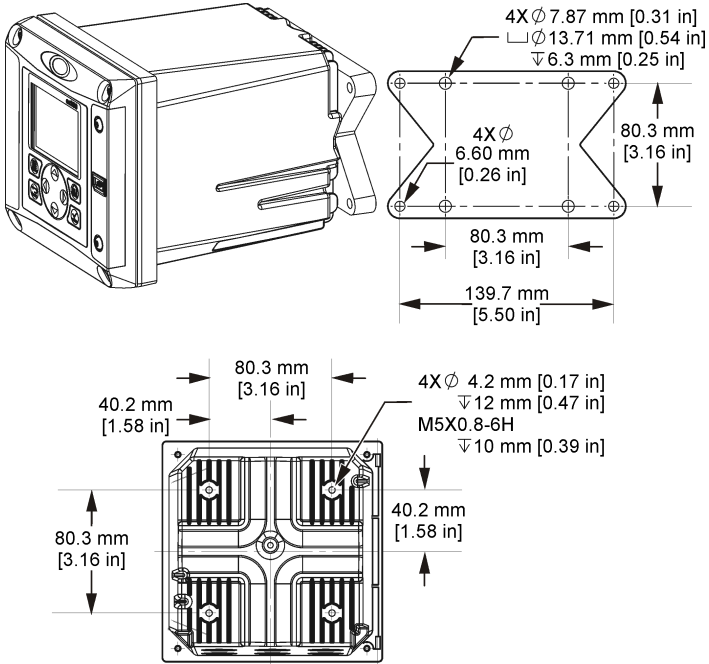
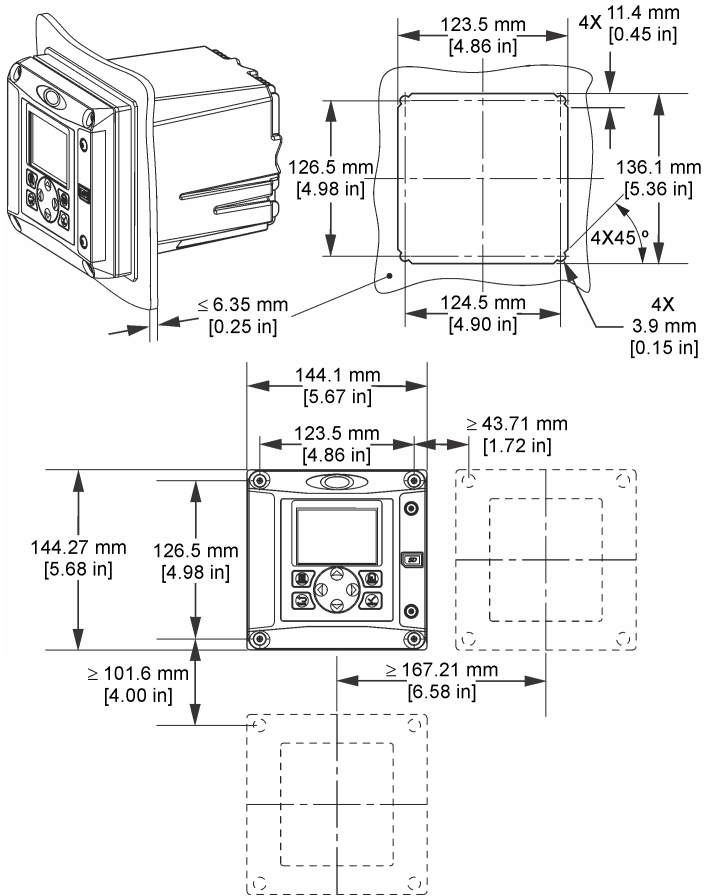


Figure 4 Panel mounting dimensions



Note: If using the bracket (optional) for panel mounting, push the controller through the hole in the panel and then slide the bracket over the controller on the back side of the panel. Use the four 15 mm pan head screws (supplied) to attach the bracket to the controller and secure the controller to the panel.

Figure 5 Pipe mounting (vertical pipe)

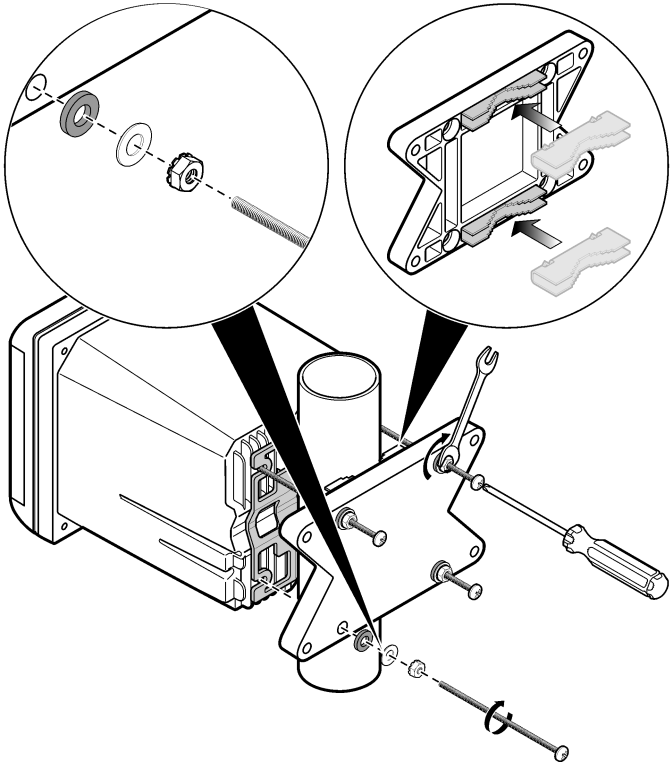
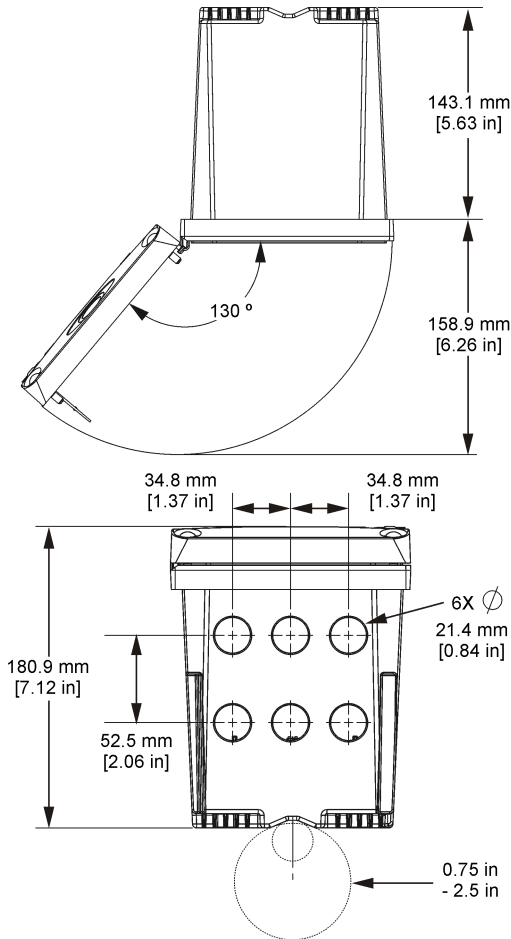


Figure 6 Top and bottom views



High-voltage barrier

High-voltage wiring for the controller is located behind the high-voltage barrier in the controller enclosure. The barrier must remain in place except when installing modules or when a qualified installation technician is wiring for power, alarms, outputs or relays. Do not remove the barrier while power is applied to the controller.

Electrostatic discharge (ESD) considerations

NOTICE



Potential Instrument Damage. Delicate internal electronic components can be damaged by static electricity, resulting in degraded performance or eventual failure.

Refer to the steps in this procedure to prevent ESD damage to the instrument:

- Touch an earth-grounded metal surface such as the chassis of an instrument, a metal conduit or pipe to discharge static electricity from the body.

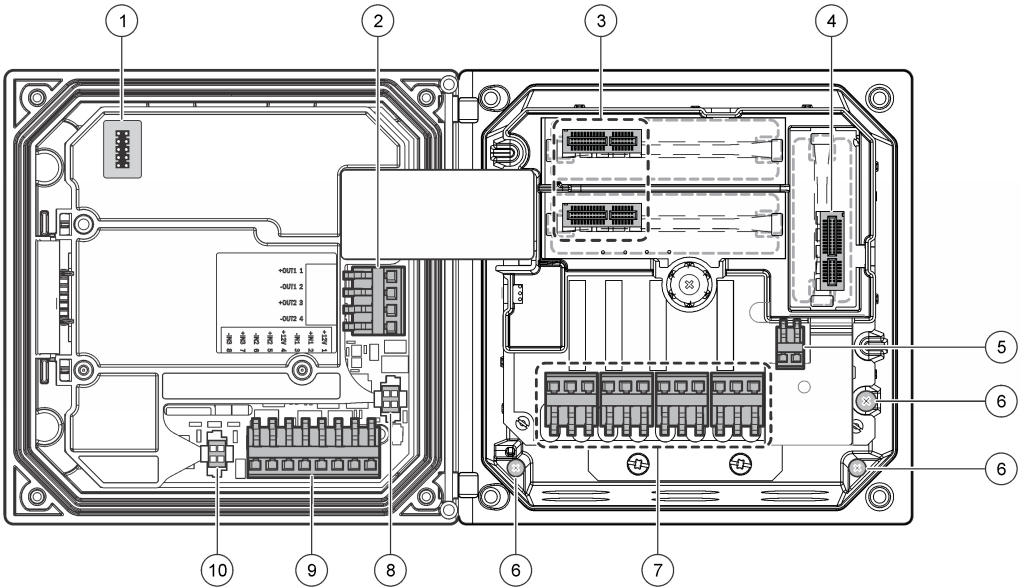
- Avoid excessive movement. Transport static-sensitive components in anti-static containers or packages.
- Wear a wrist strap connected by a wire to earth ground.
- Work in a static-safe area with anti-static floor pads and work bench pads.

Wiring overview

Figure 7 shows an overview of the wiring connections inside the controller with the high voltage barrier removed. The left side of the figure shows the back side of the controller cover.

Note: Remove connector caps from the connectors before module installation.

Figure 7 Wiring connections overview



1 Service cable connection	5 AC and DC power connector ¹	9 Discrete input wiring connector ¹
2 4-20 mA output ¹	6 Ground terminals	10 Digital sensor connector ¹
3 Sensor module connector	7 Relay connections ¹	
4 Communication module connector (e.g., Modbus, Profibus, HART, optional 4-20 mA module, etc.)	8 Digital sensor connector ¹	

¹ Terminals can be removed for improved access.

Wiring for power

⚠ WARNING



Potential Electrocution Hazard. Always disconnect power to the instrument when making electrical connections.

⚠ WARNING



Potential Electrocutation Hazard. If this equipment is used outdoors or in potentially wet locations, a **Ground Fault Interrupt** device must be used for connecting the equipment to its mains power source.

⚠ DANGER



Electrocutation Hazard. Do not connect AC power to a 24 VDC powered model.

⚠ WARNING



Potential Electrocutation Hazard. A protective earth (PE) ground connection is required for both 100-240 VAC and 24 VDC wiring applications. Failure to connect a good PE ground connection can result in shock hazards and poor performance due to electromagnetic interferences. ALWAYS connect a good PE ground to the controller terminal.

NOTICE

Install the device in a location and position that gives easy access to the disconnect device and its operation.

The controller can be purchased as either a 100-240 VAC powered model or a 24 VDC powered model. Follow the appropriate wiring instructions for the purchased model.

The controller can be wired for line power by hard-wiring in conduit or wiring to a power cord. Regardless of the wire used, the connections are made at the same terminals. A local disconnect designed to meet local electrical code is required and must be identified for all types of installation. In hard-wired applications, the power and safety ground service drops for the instrument must be 18 to 12 AWG.

Notes:

- The voltage barrier must be removed before making any electrical connections. After making all connections, replace the voltage barrier before closing the controller cover.
- A sealing type strain relief and a power cord less than 3 meters (10 feet) in length with three 18-gauge conductors (including a safety ground wire) can be used to maintain the NEMA 4X/IP66 environmental rating.
- Controllers can be ordered with AC power cords pre-installed. Additional power cords may also be ordered.
- The DC power source that supplies power to the 24 VDC powered controller must maintain voltage regulation within the specified 24 VDC-15% +20% voltage limits. The DC power source must also provide adequate protection against surges and line transients.

Wiring procedure

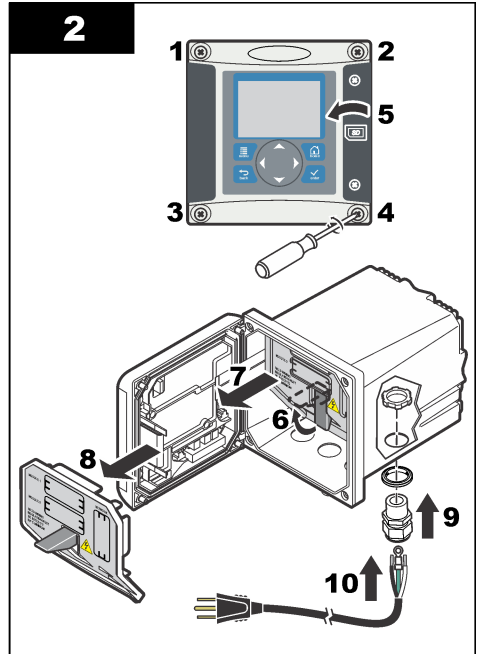
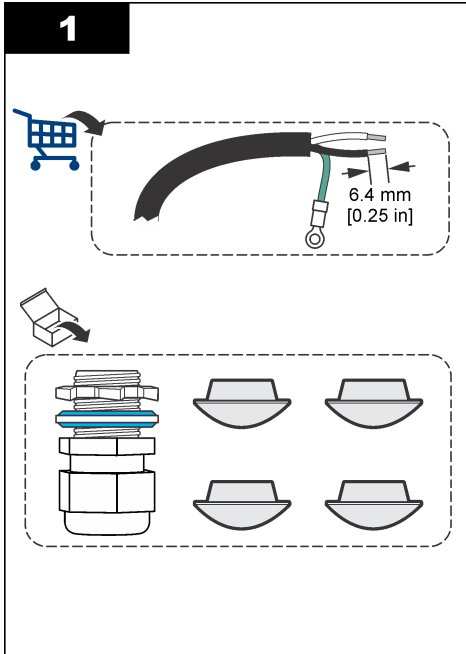
Refer to the illustrated steps that follow and [Table 1](#) or [Table 2](#) to wire the controller for power. Insert each wire into the appropriate terminal until the insulation is seated against the connector with no bare wire exposed. Tug gently after insertion to make sure that there is a secure connection. Seal any unused openings in the controller box with conduit opening sealing plugs.

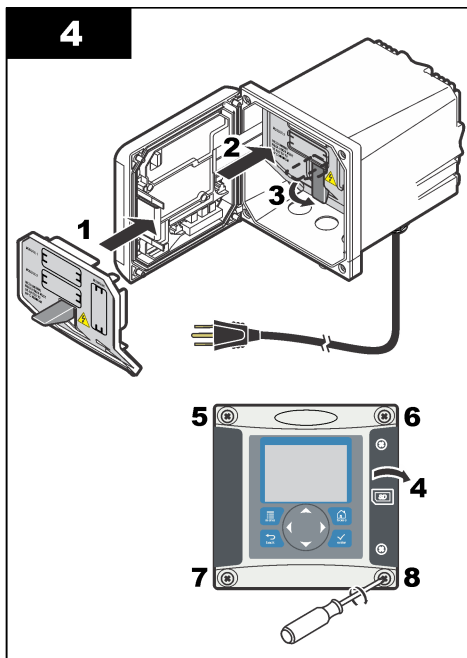
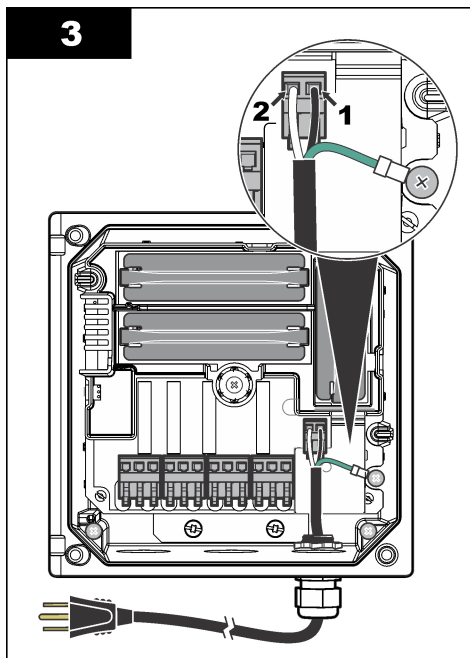
Table 1 AC power wiring information (AC powered models only)

Terminal	Description	Color—North America	Color—EU
1	Hot (L1)	Black	Brown
2	Neutral (N)	White	Blue
—	Protective Earth (PE) Ground lug	Green	Green with yellow stripe

Table 2 DC power wiring information (DC powered models only)

Terminal	Description	Color—North America	Color—EU
1	+24 VDC	Red	Red
2	24 VDC return	Black	Black
—	Protective Earth (PE) Ground lug	Green	Green with yellow stripe





Alarms and relays

The controller is equipped with four unpowered, single pole relays rated 100-250 VAC, 50/60 Hz, 5 amp resistive maximum. Contacts are rated 250 VAC, 5 amp resistive maximum for the AC powered controller and 24 VDC, 5A resistive maximum for the DC powered controller. The relays are not rated for inductive loads.

Wiring relays

⚠ WARNING



Potential Electrocutation Hazard. Always disconnect power to the instrument when making electrical connections.

⚠ WARNING



Potential fire hazard. The relay contacts are rated 5A and are not fused. External loads connected to the relays must have current limiting devices provided to limit current to < 5 A.

⚠ WARNING



Potential fire hazard. Do not daisy-chain the common relay connections or jumper wire from the mains power connection inside the instrument.

⚠ WARNING



Potential electrocutation hazard. In order to maintain the NEMA/IP environmental ratings of the enclosure, use only conduit fittings and cable glands rated for at least NEMA 4X/IP66 to route cables in to the instrument.

AC line (100—250 V) powered controllers

The wiring compartment is not designed for voltage connections in excess of 250 VAC.

24 VDC powered controllers

⚠ WARNING



Potential electrocution hazard. AC mains powered controllers (115 V–230 V) are designed for relay connections to AC mains circuits (i.e., voltages greater than 16 V-RMS, 22.6 V-PEAK or 35 VDC).

⚠ WARNING



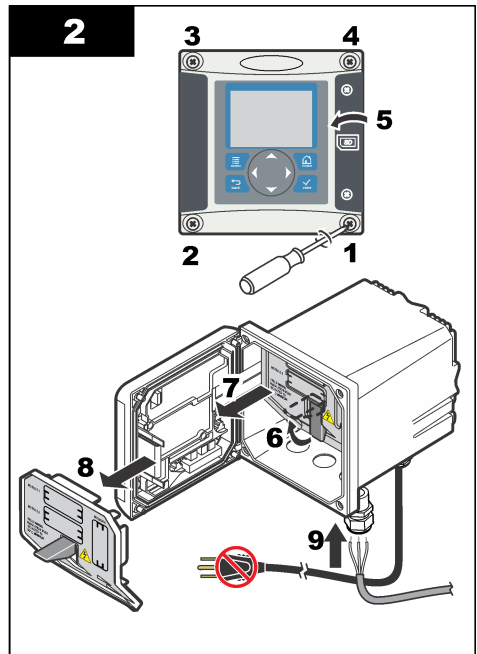
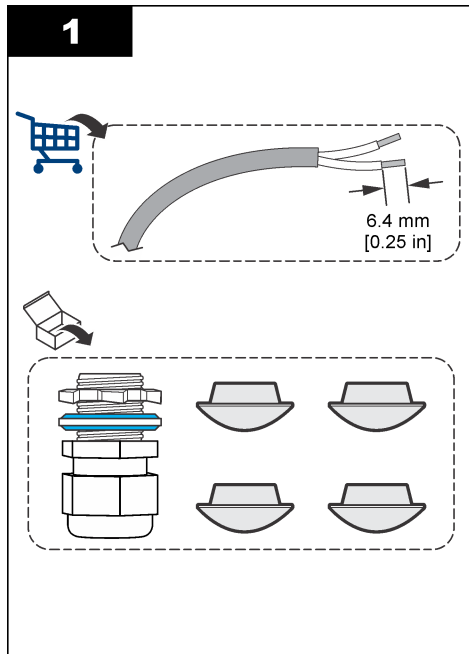
Potential electrocution hazard. 24 V powered controllers are designed for relay connections to low voltage circuits (i.e., voltages less than 16 V-RMS, 22.6 V-PEAK or 35 VDC).

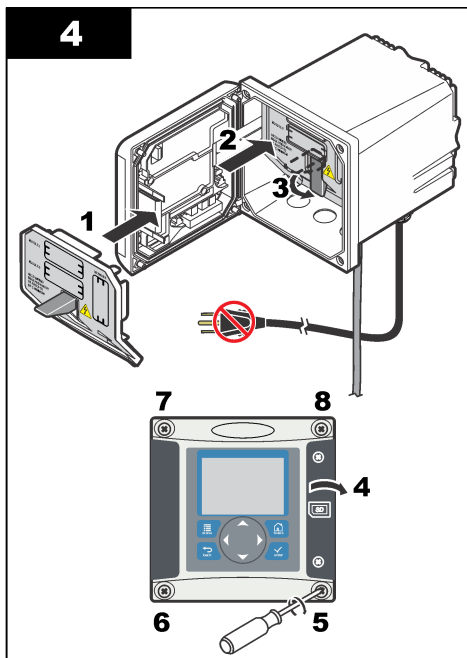
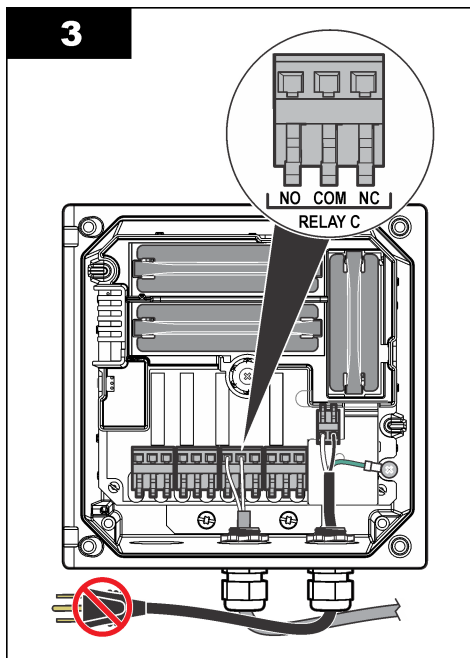
The 24 VDC controller relays are designed for the connection to low voltage circuits (i.e., voltages less than 30 V-RMS, 42.2 V-PEAK or 60 VDC). The wiring compartment is not designed for voltage connections above these levels.

The relay connector accepts 18–12 AWG wire (as determined by load application). Wire gauge less than 18 AWG is not recommended.

The Normally Open (NO) and Common (COM) relay contacts will be connected when an alarm or other condition is active. The Normally Closed (NC) and Common relay contacts will be connected when an alarm or other condition is inactive (unless the Fail Safe is set to Yes) or when power is removed from the controller.

Most relay connections use either the NO and COM terminals or the NC and COM terminals. The numbered installation steps show connection to the NO and COM terminals.





Analog output connections

⚠ WARNING



Potential Electrocutation Hazard. Always disconnect power to the instrument when making electrical connections.

⚠ WARNING



Potential electrocutation hazard. In order to maintain the NEMA/IP environmental ratings of the enclosure, use only conduit fittings and cable glands rated for at least NEMA 4X/IP66 to route cables in to the instrument.

Two isolated analog outputs (1 and 2) are provided (Figure 8). Such outputs are commonly used for analog signaling or to control other external devices.

Make wiring connections to the controller as shown in Figure 8 and Table 3.

Note: Figure 8 shows the back of the controller cover and not the inside of the main controller compartment.

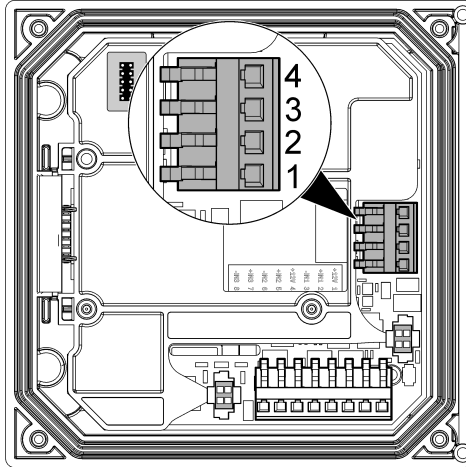
Table 3 Output connections

Recorder wires	Circuit board position
Output 2–	4
Output 2+	3
Output 1–	2
Output 1+	1

1. Open the controller cover.
2. Feed the wires through the strain relief.
3. Adjust the wire as necessary and tighten the strain relief.

4. Make connections with twisted-pair shielded wire and connect the shield at the controlled component end or at the control loop end.
 - Do not connect the shield at both ends of the cable.
 - Use of non-shielded cable may result in radio frequency emission or susceptibility levels higher than allowed.
 - Maximum loop resistance is 500 ohm.
5. Close the controller cover and tighten the cover screws.
6. Configure outputs in the controller.

Figure 8 Analog output connections



Discrete input wiring connections

⚠ WARNING



Potential Electrocution Hazard. Always disconnect power to the instrument when making electrical connections.

⚠ WARNING



Potential electrocution hazard. In order to maintain the NEMA/IP environmental ratings of the enclosure, use only conduit fittings and cable glands rated for at least NEMA 4X/IP66 to route cables in to the instrument.

Three discrete inputs are provided for switch closure inputs or logic level voltage inputs. Make wiring connections and configure jumper settings to the controller as shown in [Figure 9](#), [Table 4](#) and [Figure 10](#).

Note: [Figure 9](#) shows the back of the controller cover and not the inside of the main controller compartment.

Figure 9 Discrete input wiring connections

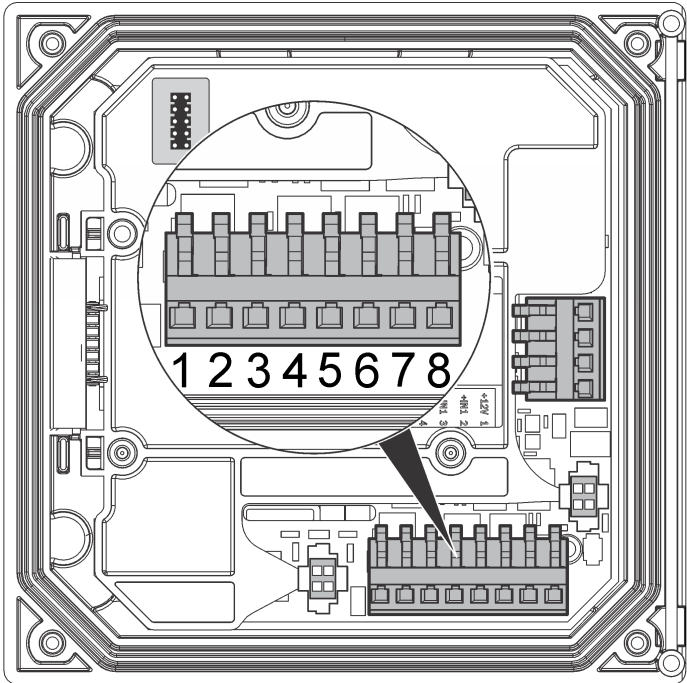
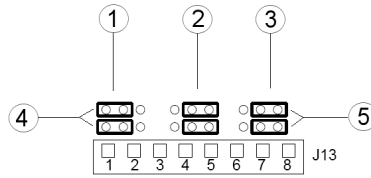


Table 4 Input connections

Discrete inputs	Connector position - Switch input	Connector position - Voltage input
Input 1+	3	2
Input 1-	2	3
Input 2+	6	5
Input 2-	5	6
Input 3+	8	7
Input 3-	7	8

Figure 10 Jumper settings



1 Input 1 configuration jumpers	4 Jumpers positioned to the left for switch inputs
2 Input 2 configuration jumpers	5 Jumpers positioned to the right for voltage inputs
3 Input 3 configuration jumpers	

1. Open the controller cover.
2. Feed the wires through the cable gland.
3. Adjust the wire as necessary and tighten the cable gland.
4. The jumpers are positioned immediately behind the connector. Remove the connector for improved access to the jumpers and configure the jumper settings according to the type of input as shown in [Figure 10](#).
5. Close the controller cover and tighten the cover screws.
6. Configure inputs in the controller.

Note: In **switch input** mode the controller supplies 12 volts to the switch and is not isolated from the controller. In **voltage input** mode the inputs are isolated from the controller (user input voltage from 0 to 30 volts).

Connect a digital sc sensor

Note: To connect an analog sensor, refer to the instructions supplied in the module or sensor manual.

A digital sc sensor can be connected to the controller using the keyed quick-connect fitting ([Figure 11](#)). A digital sensor can be connected with the controller powered on or off.

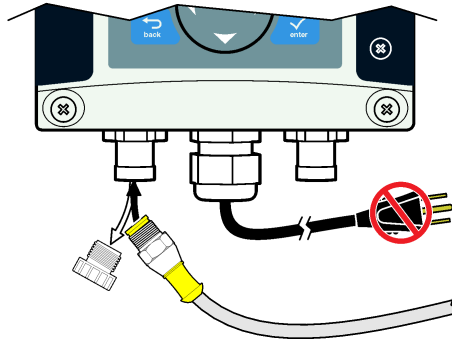
When a sensor is connected with the controller powered on, the controller does not automatically perform a device scan. To make the controller perform a device scan, navigate to the Test/Maintenance menu and select Scan Devices. If a new device is found, the controller performs the installation process without further user action.

When a sensor is connected with the controller powered off, the controller will perform a device scan when it is powered on again. If a new device is found, the controller performs the installation process without further user action.

Retain the connector cap to seal the connector opening in case the sensor must be removed.

Figure 11 Digital sensor quick connect

1.



Connect the optional digital communication output

The manufacturer supports Modbus RS485, Modbus RS232, Profibus DPV1 and HART communication protocols. The optional digital output module is installed in the location indicated by item 4 in Figure 7 on page 13. Refer to the instructions supplied with the network module for more details.

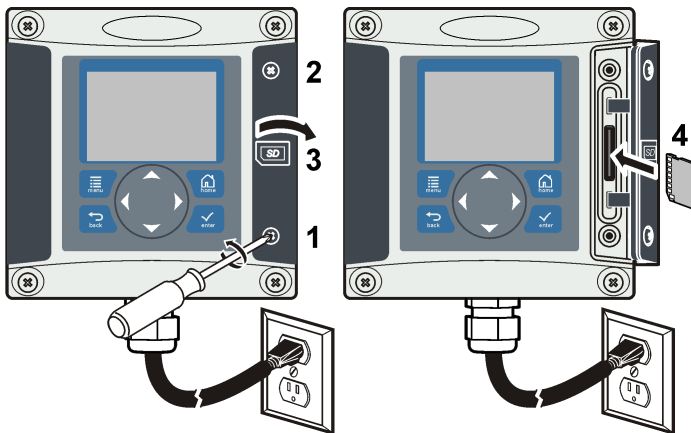
For information about Modbus registers, go to <http://www.hach-lange.com> or <http://www.hach.com> and search *Modbus registers* or go to any sc200 product page.

Install a Secure Digital (SD) memory card

For instructions on how to install an SD card in the controller, refer to Figure 12. Information on how to use the SD memory card can be found in the expanded version of this manual.

To remove an SD card, push down on the edge of the card and release, then pull the card up and out of the slot. After the card is removed, close the slot cover and tighten the cover screws.

Figure 12 SD card installation

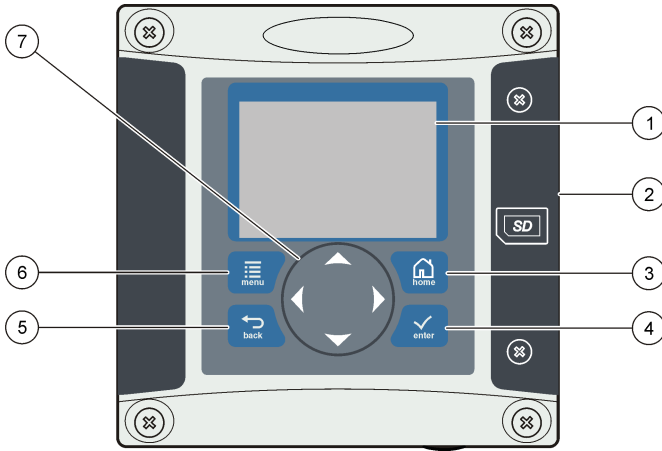


User interface and navigation

User interface

The keypad has four menu keys and four directional keys as shown in Figure 13.

Figure 13 Keypad and front panel overview



1 Instrument display	5 BACK key. Moves back one level in the menu structure.
2 Cover for secure digital memory card slot	6 MENU key. Moves to the Settings Menu from other screens and submenus.
3 HOME key. Moves to the Main Measurement screen from other screens and submenus.	7 Directional keys. Used to navigate through the menus, change settings, and increment or decrement digits.
4 ENTER key. Accepts input values, updates, or displayed menu options.	

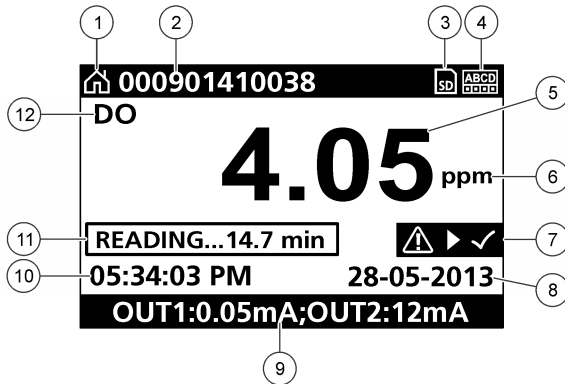
Inputs and outputs are set up and configured through the front panel using the keypad and display screen. This user interface is used to set up and configure inputs and outputs, create log information and calculated values, and calibrate sensors. The SD interface can be used to save logs and update software.

Display

Figure 14 shows an example of the main measurement screen with a DO sensor connected to the controller.

The front panel display screen shows sensor measurement data, calibration and configuration settings, errors, warnings and other information.

Figure 14 Example of Main Measurement screen



1 Home screen icon	7 Warning status bar
2 Sensor name	8 Date
3 SD Memory card icon	9 Analog output values
4 Relay status indicator	10 Time
5 Measurement value	11 Progress bar
6 Measurement unit	12 Measurement parameter

Table 5 Icon descriptions

Icon	Description
Home screen	The icon may vary depending on the screen or menu being displayed. For example, if an SD card is installed, an SD card icon appears here when the user is in the SD Card Setup menu.
SD memory card	This icon appears only if an SD card is in the reader slot. When a user is in the SD Card Setup menu, this icon appears in the upper left corner.
Warning	A warning icon consists of an exclamation point within a triangle. Warning icons appear on the right of the main display below the measurement value. Push the ENTER key then select the device to view any problems associated with that device. The warning icon will no longer be displayed once all problems have been corrected or acknowledged.
Error	An error icon consists of an exclamation point within a circle. When an error occurs, the error icon and the measurement screen flash alternately in the main display. To view errors, push the MENU key and select Diagnostics . Then select the device to view any problems associated with that device.

Additional display formats

- From the Main Measurement screen push the **UP** and **DOWN** arrow keys to switch between measurement parameters
- From the Main Measurement screen push the **RIGHT** arrow key to switch to a split display of up to 4 measurement parameters. Push the **RIGHT** arrow key to include additional measurements. Push the **LEFT** arrow key as needed to return to the Main Measurement screen
- From the Main Measurement screen push the **LEFT** arrow key to switch to the graphical display (see [Graphical display](#) on page 24 to define the parameters). Push the **UP** and **DOWN** arrow keys to switch measurement graphs

Graphical display

The graph shows concentration and temperature measurements for each channel in use. The graph supplies easy monitoring of trends and shows changes in the process.

1. From the graphical display screen use the up and down arrow keys to select a graph and push the **HOME** key.
2. Select an option:

Option	Description
MEASUREMENT VALUE	Set the measurement value for the selected channel. Select between Auto Scale and Manually Scale. For manual scaling enter the minimum and maximum measurement values
DATE & TIME RANGE	Select the date and time range from the available options

System startup

When initially powered up, the Language, Date Format and Date/Time screens appear in order. After these options are set, the controller performs a device scan and displays the message **Scanning for devices. Please wait...** If a new device is found, the controller performs an installation process before displaying a main measurement screen.

If the scan finds previously installed devices without configuration changes, the main measurement screen of the device in the number one position appears immediately after the scan is complete.

If a device has been removed from the controller or is not found during the next power-cycled or menu-driven scan, the controller displays a **Device missing** message and prompts to delete the missing device.

If no sensor is connected to an installed analog module, the controller will indicate an error. If devices are connected but not found by the controller, refer to [Troubleshooting](#) on page 26.

Set the language, date and time for the first time

The controller displays the language, date and time edit screens when the controller is powered on for the first time, and when it is powered on after the configuration settings have been set to their default values.

After the language, date and time options are set for the first time, update the options as necessary through the sc200 setup menu.

1. In the Language screen, highlight a language in the options list and push the **ENTER** key. English is the default language for the controller.
The selected language is saved. The Date Format screen appears.
2. In the Date Format screen, highlight a format and push the **ENTER** key.
The date and time format is saved. Next, the Date /Time screen appears.
3. In the Date/Time screen, push the **RIGHT** or **LEFT** arrow keys to highlight a field, then push the **UP** and **DOWN** arrow keys to update the value in the field. Update the other fields as necessary.
4. Push the **ENTER** key.
The changes are saved and the controller performs a start-up scan for devices. If connected devices are found, the controller displays the main measurement screen for the device in the number one position. If the controller fails to find connected devices, refer to [Troubleshooting](#) on page 26.

Controller configuration information

General information about configuration options is listed in the table.


1. To navigate to the menu options, from the Settings Menu, select sc200 Setup.

Option	Description
Security setup	Sets the passcode preferences.
Output setup	Configures the controller analog outputs
Relay setup	Configures the controller relays


Option	Description
Display setup	Configures the controller display
Set Date/Time	Sets the controller time and date
Datalog setup	Configures data logging options. Available only if Calculation has been setup.
Manage Data	Select the device from the list of installed components to view the data or event log
Error Hold Mode	Hold Outputs —Holds outputs at last known value when controller loses communication with the sensor. Transfer Outputs —Switches to transfer mode when controller loses communication with the sensor. Outputs transfer to a pre-defined value.
Calculation	Configures the controller math function
sc200 Information	S/W VER: —Displays the current version of controller software Bootloader VER: —Displays the current Bootloader version. The Bootloader is a file that loads the main operating system for the controller S/N: —Displays the controller serial number Version: —Displays the current version of controller hardware
Discrete Input Setup	Configures three discrete input channels
Language	Assigns the language used in the controller

2. Select an option and push **ENTER** to activate the menu item.

Maintenance

⚠ CAUTION	
	Multiple hazards. Only qualified personnel must conduct the tasks described in this section of the document.

Cleaning the controller

⚠ DANGER	
	Always remove power from the controller before performing maintenance activities.

Note: Never use flammable or corrosive solvents to clean any part of the controller. Use of these solvents may degrade the environmental protection of the unit and may void the warranty.

1. Make sure the controller cover is securely closed.
2. Wipe the controller exterior with a cloth dampened with water, or with a mixture of water and mild detergent.

Troubleshooting

Problem	Resolution
No current output	Verify current output configuration.
	Test current output signal using the Test/Maintenance submenu. Input a current value and verify the output signal at the controller connections.
	Contact Technical Support.

Problem	Resolution
Incorrect current output	Verify current output configuration.
	Test current output signal using the Test/Maintenance submenu. Input a current value and verify the output signal at the controller connections. If the output is incorrect, perform an output calibration.
No relay activation	Make sure relay connections are secure.
	If using an external power source, make sure the relay wiring is correct.
	Make sure the relay configuration is correct.
	Test the relay activation through the Test/Maintenance menu. The relay should energize and de-energize as selected.
	Make sure the controller is not in calibration mode and that the relay is not being held.
	Reset the Overfeed Timer to make sure the timer has not expired.
Secure Digital Memory (SD) card not recognized by the controller	Make sure the SD card is properly oriented. The copper traces should face toward the controller display.
	Make sure the SD card is fully seated in the slot and the spring lock is engaged.
	Make sure the SD card is properly formatted with a Fat 32 format. The MMC format is not supported. Follow the instructions of the card manufacturer to format the SD card on a PC.
	Make sure the card is not larger than 32 GB.
	Make sure an SD card is being used. Other types of cards (such as xSD, micro SD, mini SD) will not work properly.
Information not saving, or not saving properly to the SD card.	Make sure the SD card is properly formatted with the FAT 32 format. The MMC format is not supported. Follow the instructions of the card manufacturer to format the SD card on a PC.
	If the SD card has previously been in use, format the card with the Fat 32 format, install the card in the controller, and try downloading files.
	Try a different SD card.
SD card full	Read the SD card with a PC or other card reader device. Save important files and then delete some or all of the files on the SD card.
Controller cannot find software updates on the SD card.	Make sure an appropriate folder is created by installing the SD card in the controller. An update folder will automatically be created.
	Install the SD card on a PC and make sure the software files are located in the appropriate update folder.
	If the same SD card is used with multiple controllers, each controller will have a separate folder on the system. Make sure the software updates are in the folder dedicated to the controller in use.

Problem	Resolution
Display is lit but shows no characters or characters are faint or blurry.	Adjust the display contrast
	Make sure protective film has been removed from display.
	Clean the outside of the controller, including the display screen.
Controller will not power up, or powers up intermittently	Make sure the AC power connections are properly terminated in the controller.
	Make sure the power strip, line power, wall plug are all properly plugged in.
	Contact Technical Support
Network or sensor module not recognized	Make sure the module is properly installed.
	Make sure the module selector switch is set to the proper number.
	Remove sensor module and install the module into the second analog slot. Apply power to the controller and allow the controller to perform a device scan.
	Contact Technical Support.
Sensor not recognized <i>Note: Example of possible display message: ****</i>	If the sensor is an analog sensor and a corresponding module is installed in the controller, refer to the instructions supplied with the Network or Sensor Module.
	Make sure the digital connector wiring harness is seated on the inside of the door assembly and that the wiring harness is not damaged.
	If the digital sensor is connected to the controller with a digital termination box, user supplied junction box, digital extension cables, or a user-supplied extension cable, connect the sensor directly to the controller and perform a device scan. If the controller recognizes the sensor, check that all the wiring in the junction boxes or extension cables is correct.
	Make sure that only two sensors are installed in the controller. Although two analog module ports are available, if a digital sensor and two analog modules are installed, only two of the three devices will be seen by the controller.
	Contact Technical Support
Device Missing error message appears	Perform a Device Scan from the Test/Maintenance menu.
	Power cycle the controller

Inhaltsverzeichnis

[Technische Daten](#) auf Seite 29

[Inbetriebnahme](#) auf Seite 51

[Allgemeine Informationen](#) auf Seite 30

[Wartung](#) auf Seite 52

[Installation](#) auf Seite 33

[Fehlerbehebung](#) auf Seite 53

[Benutzeroberfläche und Navigation](#) auf Seite 49

Zusätzliche Informationen

Zusätzliche Informationen finden Sie auf der Website des Herstellers.

Technische Daten

Änderungen vorbehalten.

Technische Daten	Details
Beschreibung der Komponenten	Mikroprozessor- und menügesteuerter Controller, der Sensoren ansteuert und Messwerte anzeigt.
Betriebstemperatur	-20 bis 60 °C (-4 bis 140 °F); 95 % relative Luftfeuchtigkeit, nicht kondensierend mit Sensorleistung <7 W; -20 bis 50 °C (-4 bis 104 °F) mit Sensorleistung <28 W
Lagertemperatur	-20 bis 70 °C (-4 bis 158 °F); 95 % relative Luftfeuchtigkeit, nicht kondensierend
Gehäuse ¹	Metallgehäuse, Schutzart NEMA 4X/IP66, mit korrosionsbeständiger Oberfläche
Stromversorgung	Controller mit Wechselspannungsversorgung: 100-240 V~ ±10 %, 50/60 Hz; Leistung 50 VA bei Sensor-/Netzwerkmodullast von 7 W, 100 VA bei Sensor-/Netzwerkmodullast von 28 W (Modbus-, RS232/RS485-, Profibus DPV1- oder HART-Netzwerkverbindung optional). Controller mit 24-Volt-Gleichstromversorgung: 24 V= -15 % + 20 %; Leistung 15 W bei Sensor-/Netzwerkmodullast von 7 W, 40 W bei Sensor-/Netzwerkmodullast von 28 W (Modbus-, RS232/RS485-, Profibus DPV1- oder HART-Netzwerkverbindung optional).
Aufstellungshöhe	Standardmäßig 2000 m ü. M. (über Meeresspiegel)
Verschmutzungsgrad/Einbaukategorie	Verschmutzungsgrad 2; Einbaukategorie II
Ausgänge	Zwei Analogausgänge (0-20 mA oder 4-20 mA). Jeder analoge Ausgang lässt sich Messgrößen wie pH, Temperatur, Durchfluss oder berechneten Werten zuordnen. Das optionale Modul wendet drei zusätzliche analoge Ausgänge an (insgesamt 5).
Relais	Für SPDT, benutzerkonfigurierte Kontakte, mit folgenden Nennwerten: 250 V~, max. Schaltlast 5 A bei wechselstrombetriebenen Controllern bzw. 24 V=, max. Schaltlast 5 A bei gleichstrom betriebenen Controllern. Relais sind für den Anschluss an das Stromnetz (bei Betrieb des Controllers mit 115 - 240 V~) oder eine Gleichspannungsversorgung (bei Betrieb des Controllers mit 24 V=) ausgelegt.
Abmessungen	½ DIN—144 x 144 x 180,9 mm (5,7 x 5,7 x 7.12 Zoll)
Gewicht	1.7 kg (3.75 lbs)

Technische Daten	Details
Einhaltungsinformationen ²	CE-Zulassung (alle Sensortypen). UL- und CSA-Zulassung für den Einsatz an allgemeinen Aufstellungsorten durch ETL (alle Sensortypen). Bestimmte Modelle mit Anschluss an das Stromnetz werden für den Einsatz an allgemeinen Sicherheitsstandorten mit UL- und CSA-Zulassung von Underwriter Laboratories aufgeführt (alle Sensortypen).
Digitale Kommunikation	Optionaler Modbus-, RS232/RS485-, Profibus DPV1- oder HART-Netzwerkanschluss für die Datenübertragung
Datenprotokollierung	Secure Digital-Speicherkarte (maximal 32 GB) oder spezieller RS(232-Kabelanschluss für Datenprotokollierung und Software-Updates. Der Controller speichert ca. 20.000 Datenpunkte pro Sensor.
Gewährleistung	2 Jahre

¹ Geräte mit einer Zertifizierung von Underwriters Laboratories (UL) eignen sich nur zur Verwendung in geschlossenen Räumen und verfügen nicht über die Schutzart NEMA 4X/IP66.

² Geräte mit Gleichstromversorgung werden nicht von UL aufgeführt.

Allgemeine Informationen

Der Hersteller ist nicht verantwortlich für direkte, indirekte, versehentliche oder Folgeschäden, die aus Fehlern oder Unterlassungen in diesem Handbuch entstanden. Der Hersteller behält sich jederzeit und ohne vorherige Ankündigung oder Verpflichtung das Recht auf Verbesserungen an diesem Handbuch und den hierin beschriebenen Produkten vor. Überarbeitete Ausgaben der Bedienungsanleitung sind auf der Hersteller-Webseite erhältlich.

Sicherheitshinweise

HINWEIS

Der Hersteller ist nicht für Schäden verantwortlich, die durch Fehlanwendung oder Missbrauch dieses Produkts entstehen, einschließlich, aber ohne Beschränkung auf direkte, zufällige oder Folgeschäden, und lehnt jegliche Haftung im gesetzlich zulässigen Umfang ab. Der Benutzer ist selbst dafür verantwortlich, schwerwiegende Anwendungsrisiken zu erkennen und erforderliche Maßnahmen durchzuführen, um die Prozesse im Fall von möglichen Gerätefehlern zu schützen.

Bitte lesen Sie dieses Handbuch komplett durch, bevor Sie dieses Gerät auspacken, aufstellen oder bedienen. Beachten Sie alle Gefahren- und Warnhinweise. Nichtbeachtung kann zu schweren Verletzungen des Bedieners oder Schäden am Gerät führen.

Stellen Sie sicher, dass die durch dieses Messgerät bereitgestellte Sicherheit nicht beeinträchtigt wird. Verwenden bzw. installieren Sie das Messsystem nur wie in diesem Handbuch beschrieben.

Bedeutung von Gefahrenhinweisen

▲ GEFAHR

Kennzeichnet eine mögliche oder drohende Gefahrensituation, die, wenn sie nicht vermieden wird, zum Tod oder zu schweren Verletzungen führt.

▲ WARNUNG

Kennzeichnet eine mögliche oder drohende Gefahrensituation, die, wenn sie nicht vermieden wird, zum Tod oder zu schweren Verletzungen führen kann.

▲ VORSICHT





Kennzeichnet eine mögliche Gefahrensituation, die zu geringeren oder moderaten Verletzungen führen kann.

HINWEIS

Kennzeichnet eine Situation, die, wenn sie nicht vermieden wird, das Gerät beschädigen kann. Informationen, die besonders beachtet werden müssen.

Warnhinweise

Lesen Sie alle am Gerät angebrachten Aufkleber und Hinweise. Nichtbeachtung kann Verletzungen oder Beschädigungen des Geräts zur Folge haben. Im Handbuch wird in Form von Warnhinweisen auf die am Gerät angebrachten Symbole verwiesen.

	Dieses Symbol am Gerät weist auf Betriebs- und/oder Sicherheitsinformationen im Handbuch hin.
	Dieses Symbol weist auf die Gefahr eines elektrischen Schlages hin, der tödlich sein kann.
	Dieses Symbol zeigt das Vorhandensein von Geräten an, die empfindlich auf elektrostatische Entladung reagieren. Es müssen Vorsichtsmaßnahmen getroffen werden, um die Geräte nicht zu beschädigen.
	Elektrogeräte, die mit diesem Symbol gekennzeichnet sind, dürfen ab 12. August 2005 nicht in öffentlichen europäischen Abfallsystemen entsorgt werden. Benutzer von Elektrogeräten müssen in Europa in Einklang mit lokalen und nationalen europäischen Regelungen (EU-Richtlinie 2002/96/EG) Altgeräte kostenfrei dem Hersteller zur Entsorgung zurückgeben.

Zertifizierung

Kanadische Vorschriften zu Störungen verursachenden Einrichtungen, IECS-003, Klasse A:

Entsprechende Prüfprotokolle hält der Hersteller bereit.

Dieses digitale Gerät der Klasse A erfüllt alle Vorgaben der kanadischen Normen für Interferenz verursachende Geräte.

Cet appareil numérique de classe A répond à toutes les exigences de la réglementation canadienne sur les équipements provoquant des interférences.

FCC Teil 15, Beschränkungen der Klasse "A"

Entsprechende Prüfprotokolle hält der Hersteller bereit. Das Gerät entspricht Teil 15 der FCC-Vorschriften. Der Betrieb unterliegt den folgenden Bedingungen:

1. Das Gerät darf keine Störungen verursachen.
2. Das Gerät muss jegliche Störung, die es erhält, einschließlich jener Störungen, die zu unerwünschtem Betrieb führen, annehmen.

Änderungen oder Modifizierungen an diesem Gerät, die nicht ausdrücklich durch die für die Einhaltung der Standards verantwortliche Stelle bestätigt wurden, können zur Aufhebung der Nutzungsberechtigung für dieses Gerät führen. Dieses Gerät wurde geprüft, und es wurde festgestellt, dass es die Grenzwerte für digitale Geräte der Klasse A entsprechend Teil 15 der FCC-Vorschriften einhält. Diese Grenzwerte sollen einen angemessenen Schutz gegen gesundheitsschädliche Störungen gewährleisten, wenn dieses Gerät in einer gewerblichen Umgebung betrieben wird. Dieses Gerät erzeugt und nutzt hochfrequente Energie und kann diese auch abstrahlen, und es kann, wenn es nicht in Übereinstimmung mit der Bedienungsanleitung installiert und eingesetzt wird, schädliche Störungen der Funkkommunikation verursachen. Der Betrieb dieses Geräts in Wohngebieten kann schädliche Störungen verursachen. In diesem Fall muss der Benutzer die Störungen auf eigene Kosten beseitigen. Probleme mit Interferenzen lassen sich durch folgende Methoden mindern:

1. Trennen Sie das Gerät von der Stromversorgung, um sicherzugehen, dass dieser die Störungen nicht selbst verursacht.
2. Wenn das Gerät an die gleiche Steckdose angeschlossen ist wie das gestörte Gerät, schließen Sie das störende Gerät an eine andere Steckdose an.
3. Vergrößern Sie den Abstand zwischen diesem Gerät und dem gestörten Gerät.

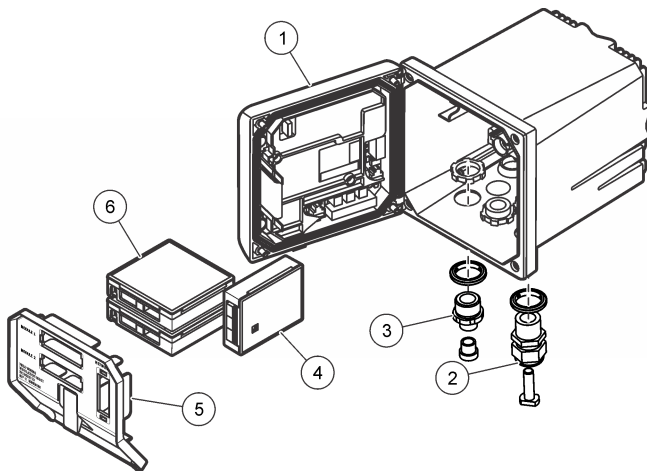
4. Ändern Sie die Position der Empfangsantenne des gestörten Geräts.
5. Versuchen Sie auch, die beschriebenen Maßnahmen miteinander zu kombinieren.

Produktübersicht

Der Controller kann Sensormessungen und andere Daten anzeigen, Analog- und Digitalsignale übertragen und mit anderen Geräten über Ausgänge und Relais interagieren und diese Geräte steuern. Ausgänge, Relais, Sensoren und Sensormodule werden über die Benutzeroberfläche an der Frontseite des Controllers konfiguriert und kalibriert.

In **Abbildung 1** werden die Komponenten des Produkts dargestellt. Die Komponenten können je nach Konfiguration des Controllers variieren. Wenden Sie sich an den Hersteller, wenn Teile beschädigt sind oder fehlen.

Abbildung 1 Systemkomponenten



1 Controller	4 Netzwerkmodul (optional)
2 Zugentlastungsbaugruppe (je nach Version des Controllers optional)	5 Hochspannungs-Schutzabdeckung
3 Verschraubung für digitale Verbindungen (je nach Version des Controllers optional)	6 Sensormodule (optional)

Sensoren und Sensormodule

Je nach Konfiguration des Controllers können zusätzlich zu einem Kommunikationsmodul bis zu zwei Sensormodule oder zwei Digitalsensoren an den Controller angeschlossen werden. Ein einzelner Digitalsensor und ein einzelnes Sensormodul können gemeinsam installiert werden. Mit den Sensormodulen kann eine Vielzahl von Sensoren verdrahtet werden. Informationen zur Verdrahtung der einzelnen Sensoren finden Sie im Handbuch des entsprechenden Sensors bzw. in der Anleitung des spezifischen Moduls.

Relais, Ausgänge und Signale

Der Controller weist vier konfigurierbare Relais-Schalter und zwei Analogausgänge auf. Über ein optionales Analogausgangsmodul kann die Anzahl der Analogausgänge auf fünf erhöht werden.

Gerätescans

Nach dem Einschalten führt der Controller – außer in den beiden nachfolgend beschriebenen Sonderfällen – automatisch und ohne Zutun des Benutzers einen Gerätescan durch. Sonderfall 1: Erstmögliche Inbetriebnahme des Geräts vor der ersten Verwendung. Sonderfall 2: Wiedereinschalten des Controllers, nachdem zuvor die Konfigurationseinstellungen auf ihre Standardwerte zurückgesetzt wurden. In diesen beiden Fällen werden zunächst die Bildschirme zur Wahl der

Sprache und zum Einstellen des Datums und der Uhrzeit angezeigt. Nachdem die Sprachwahl und die Datums- und Uhrzeiteinstellung akzeptiert wurden, führt der Controller einen Gerätescan durch. Siehe [Anschließen eines digitalen sc-Sensors](#) auf Seite 47 für Anweisungen zum Scannen nach Geräten, wenn der Controller bereits eingeschaltet ist.

Controller-Gehäuse

Der Controller verfügt über ein NEMA 4X-/IP66-geschütztes Gehäuse sowie eine korrosionsbeständige Behandlung, die beständig ist gegen Umgebungsfaktoren wie Salzsprühnebel und Schwefelwasserstoff. Bei der Verwendung im Freien wird ein Schutz vor umweltbedingten Beschädigungen nachdrücklich empfohlen.

Hinweis: Geräte mit einer Zertifizierung von Underwriters Laboratories (UL) eignen sich nur zur Verwendung in geschlossenen Räumen und verfügen nicht über die Schutzart NEMA 4X/IP66.

Montageoptionen für den Controller

Der Controller kann auf einer Schalttafel, an einer Wand oder an einem vertikalen oder horizontalen Rohrprofil montiert werden. Zur Dämpfung von Vibrationen kann die im Lieferumfang enthaltene Dichtung aus Neopren verwendet werden. Die Dichtung dient gleichzeitig als Schablone für den Schalttafeleinbau, bevor die innere Dichtungskomponente herausgelöst wurde.

Installation

Montagekomponenten und Abmessungen

▲ VORSICHT

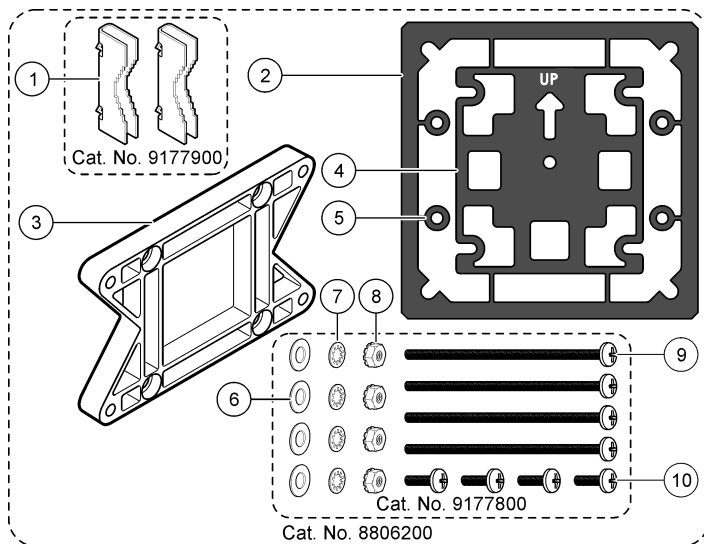
Verletzungsgefahr. Nur qualifiziertes Personal sollte die in diesem Kapitel der Bedienungsanleitung beschriebenen Aufgaben durchführen.

Der Controller kann auf Oberflächen, an Schalttafeln oder an Rohren (horizontal oder vertikal) montiert werden. Informationen über Montageoptionen und entsprechende Anleitungen finden Sie in [Abbildung 2](#), [Abbildung 3](#) auf Seite 35, [Abbildung 4](#) auf Seite 36, [Abbildung 5](#) auf Seite 37 und [Abbildung 6](#) auf Seite 38.

Bei der Montage auf einem horizontalen Rohrprofil müssen die Montagefüße ([Abbildung 2](#)) in vertikaler Stellung an der Klammer angebracht werden.

Bei der Montage auf einem horizontalen oder vertikalen Rohrprofil montieren Sie die Klammer gemäß [Abbildung 5](#) auf Seite 37.

Abbildung 2 Montagekomponenten



1 Montagefuß (2x)	6 Flache Unterlegscheibe, Innendurchmesser ¼ Zoll (4x)
2 Dichtung für Schalttafeleinbau, Neopren	7 Zahnscheibe, Innendurchmesser ¼ Zoll (4x)
3 Klammer für Wandmontage oder Montage an vertikalen und horizontalen Rohrprofilen	8 Keps Mutter M5 x 0,8 (4x)
4 Vibrationsschutzdichtung für Montage an Rohrprofilen	9 Linsenkopfschraube M5 x 0,8 x 100 mm (4x) (für die Montage an Rohrprofilen mit unterschiedlichem Durchmesser)
5 Vibrationsschutz-Unterlegscheibe für Montage an Rohrprofilen (4x)	10 Linsenkopfschraube M5 x 0,8 x 15 mm (4x)

Hinweis: Eine Halterung zur Montage des Bedienfelds ist als optionales Zubehörteil erhältlich.

Montage des Controllers

Abbildung 3 Abmessungen Oberflächenmontage

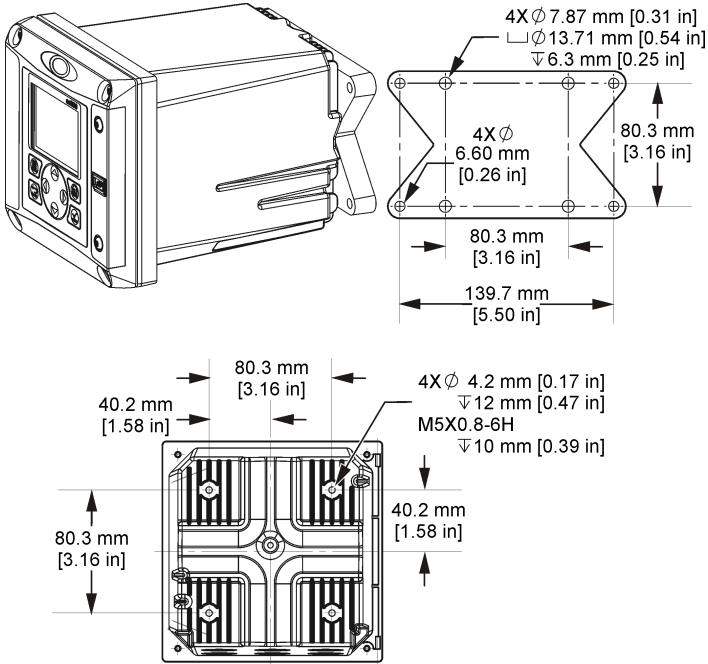
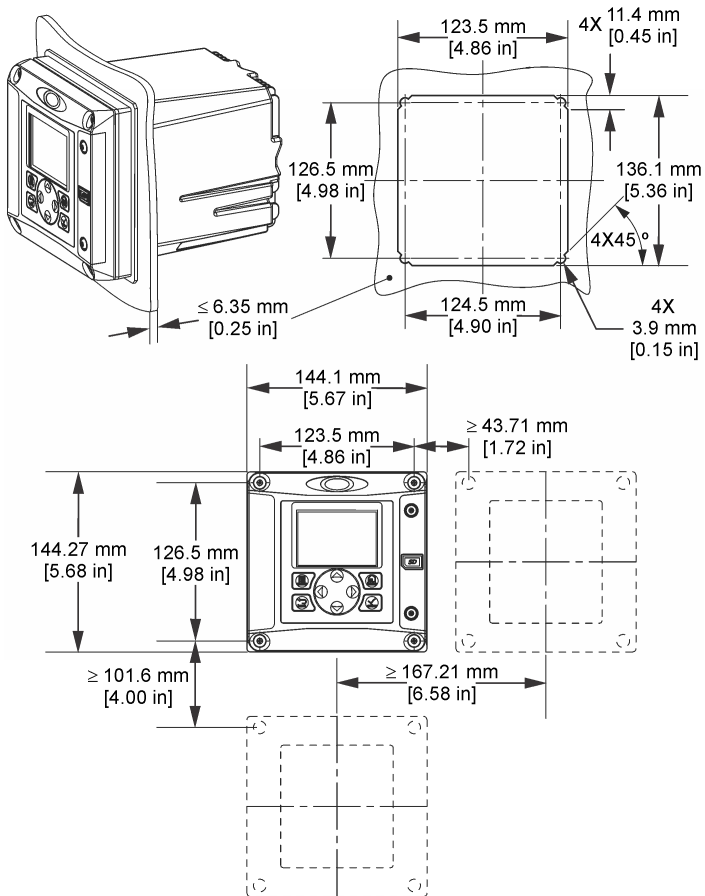


Abbildung 4 Abmessungen Schalttafelmontage



Hinweis: Wenn Sie die Halterung (optional) für die Montage des Bedienfelds verwenden, drücken Sie den Controller durch das Loch in der Platte, und schieben Sie die Halterung auf der Rückseite der Platte über den Controller. Verwenden Sie die vier 15 mm Flachkopfschrauben (im Lieferumfang enthalten), um die Halterung am Controller anzubringen, und den Controller am Bedienfeld zu befestigen.

Abbildung 5 Rohrmontage (vertikales Rohr)

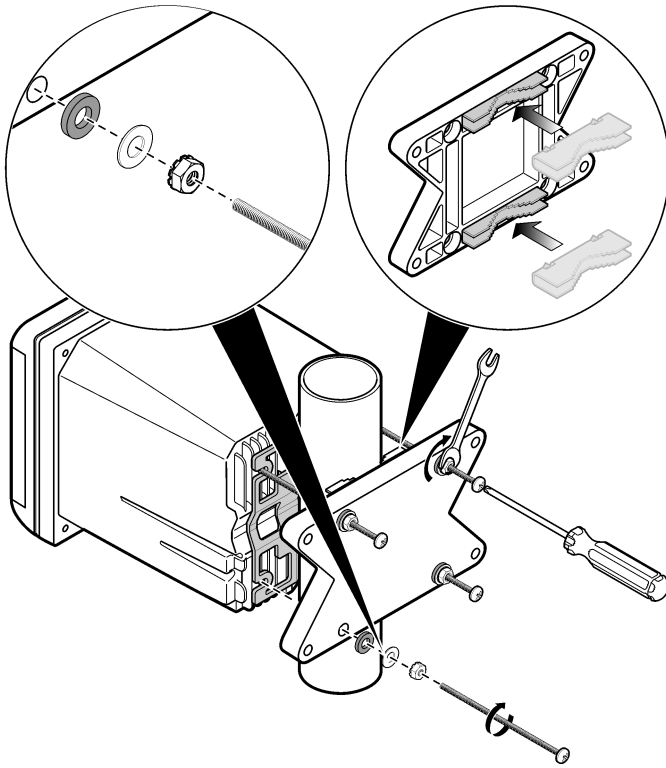
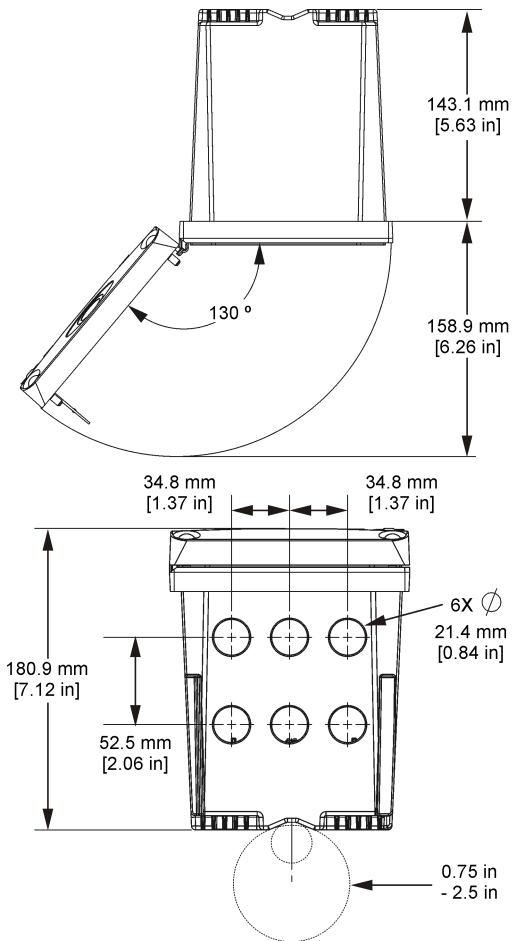


Abbildung 6 Draufsicht und Ansicht von unten



Hochspannungs-Schutzabdeckung

Die Hochspannungskabel für den Controller befinden sich im Controllergehäuse hinter der Hochspannungs-Schutzabdeckung. Die Schutzabdeckung darf nicht entfernt werden, außer beim Einbau von Modulen oder beim elektrischen Anschluss von Spannungsversorgung, Alarmen, Ausgängen oder Relais durch einen qualifizierten Techniker. Die Schutzabdeckung darf nicht entfernt werden, während Spannung am Controller anliegt.

Hinweise zur Vermeidung elektrostatischer Entladungen (ESE)

HINWEIS



Möglicher Geräteschaden Empfindliche interne elektronische Bauteile können durch statische Elektrizität beschädigt werden, wobei dann das Gerät mit verminderter Leistung funktioniert oder schließlich ganz ausfällt.

Befolgen Sie die Schritte in dieser Anleitung, um ESD-Schäden am Gerät zu vermeiden.

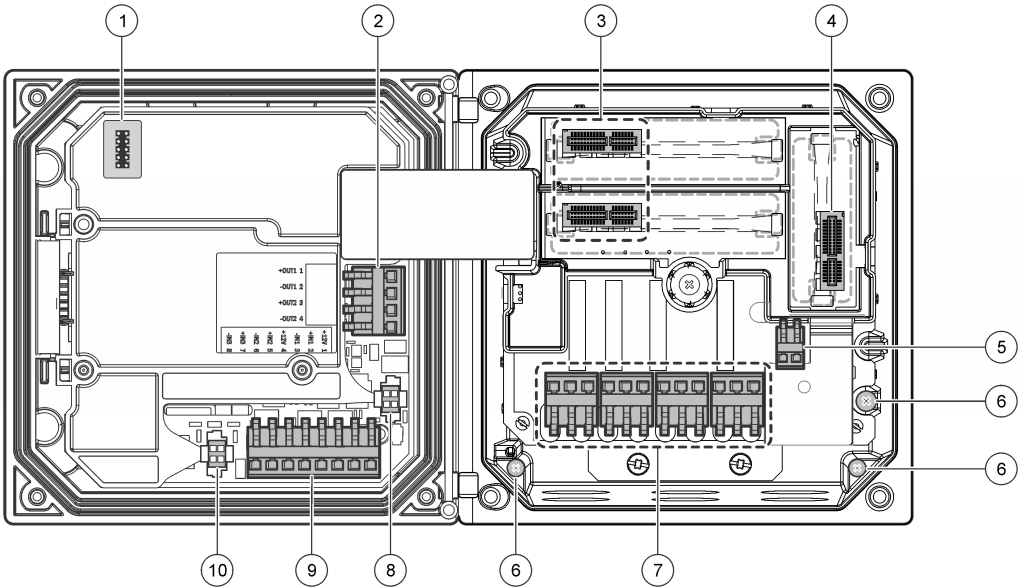
- Berühren Sie eine geerdete Metallfläche, wie beispielsweise des Gehäuses eines Geräts, einen Metallleiter oder ein Rohr, um statische Elektrizität vom Körper abzuleiten.
- Vermeiden Sie übermäßige Bewegung. Verwenden Sie zum Transport von Komponenten, die gegen statische Aufladungen empfindlich sind, Antistatikfolie oder antistatische Behälter.
- Tragen Sie ein Armband, das mit einem geerdeten Leiter verbunden ist.
- Arbeiten Sie in einem elektrostatisch sicheren Bereich mit antistatischen Fußbodenbelägen und Arbeitsunterlagen

Verdrahtungsübersicht

Abbildung 7 zeigt einen Überblick über die Kabelverbindungen im Innenraum des Controllers bei abgenommener Schutzabdeckung. Auf der linken Seite wird die Rückseite der Controller-Abdeckung dargestellt.

Hinweis: Entfernen Sie vor der Installation von Modulen die Kappen von den Anschlüssen.

Abbildung 7 Übersicht der Drahtanschlüsse



1 Servicekabelanschlüsse	5 Anschluss für Wechsel- und Gleichspannungsversorgung ¹	9 Klemmen für die diskreten Eingänge ¹
2 Ausgang 4-20 mA ¹	6 Masseklemmen	10 Anschluss für Digitalsensor ¹
3 Anschluss für Sensormodul	7 Relaiskontakte ¹	
4 Anschluss für Kommunikationsmodul (Modbus, Profibus, HART, optionales 4-20-mA-Modul usw.)	8 Anschluss für Digitalsensor ¹	

¹ Die Anschlüsse können für besseren Zugang entfernt werden.

Kabelbelegung für die Stromversorgung

⚠️ WARNUNG



Potenzielle Stromschlaggefahr. Stellen Sie stets die Spannungsversorgung am Gerät ab, wenn elektrische Anschlüsse durchgeführt werden.

⚠️ WARNUNG



Potenzielle Stromschlaggefahr. Wenn dieses Gerät im Freien oder an potenziell feuchten Standorten eingesetzt wird, muss ein FI-Schutzschalter zum Anschluss an die Netzversorgung verwendet werden.

⚠️ GEFAHR



Gefahr durch elektrischen Schlag. Schließen Sie ein mit 24 VDC betriebenes Modell nicht an Wechselstrom an.

⚠️ WARNUNG



Potenzielle Stromschlaggefahr. Bei 100-240 VAC- und 24 VDC-Geräten muss ein Erdungsschutzleiter (PE) angeschlossen werden. Ohne ausreichenden Erdungsschutz besteht Stromschlaggefahr, und das Gerät kann wegen elektromagnetischer Störungen nicht richtig funktionieren. Schließen Sie **IMMER** einen Erdungsschutzleiter an der Steuerungsklemme an.

HINWEIS

Installieren Sie das Gerät an einem Standort und in einer Position, wo es zur Bedienung und zum Abschalten/Abklemmen gut zugänglich ist.

Der Controller ist entweder als Modell mit einem auf 100–240 V ausgelegten Wechselstromanschluss oder als Modell mit einem 24-V-Gleichspannungsanschluss erhältlich. Folgen Sie den für das von Ihnen erworbene Modell zutreffenden Verkabelungsanweisungen.

Sie können den Controller entweder über ein Netzanschlusskabel an die Spannungsversorgung anschließen oder ihn in Kabelführungsrohren fest verdrahten. Der Anschluss erfolgt unabhängig vom Kabeltyp immer an denselben Klemmen. Für alle Installationsarten ist eine entsprechend den örtlichen elektrischen Vorschriften ausgelegte externe Abschaltmöglichkeit anzubringen. Bei Anwendungen mit fester Verkabelung der Spannungsversorgung des Geräts muss ein Schutzleiter mit 18 bis 12 AWG verwendet werden.

Anmerkungen:

- Die Hochspannungs-Schutzabdeckung muss entfernt werden, bevor elektrische Kabel angeschlossen werden können. Nachdem alle Kabel angeschlossen wurden, muss die Schutzabdeckung vor dem Schließen der Controller-Abdeckung wieder angebracht werden.
- NEMA-Schutzart 4X/IP66 kann durch eine dichtende Zugentlastung und ein Netzkabel mit einer maximalen Länge von 3 m und drei Leitern mit einem Querschnitt von 0,80 mm² (AWG 18) (einschließlich Schutzkontaktleiter) erzielt werden.
- Controller können mit vorinstalliertem Wechselstromnetzkabel bestellt werden. Darüber hinaus können zusätzliche Netzkabel bestellt werden.
- Die Gleichspannungsquelle, die den mit 24 V Gleichspannung betriebenen Controller versorgt, muss den Spannungsabfall innerhalb der spezifizierten Schranken von 24 VDC $-15\% + 20\%$ halten können. Außerdem muss die Gleichspannungsquelle einen angemessenen Schutz vor Überspannungen und Stromstößen bieten.

Verdrahtung

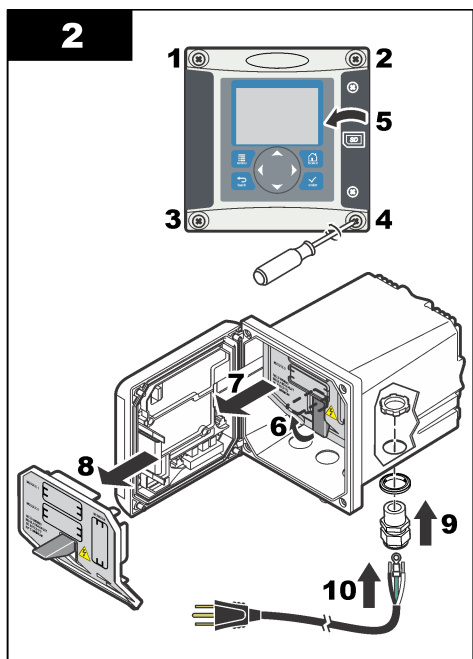
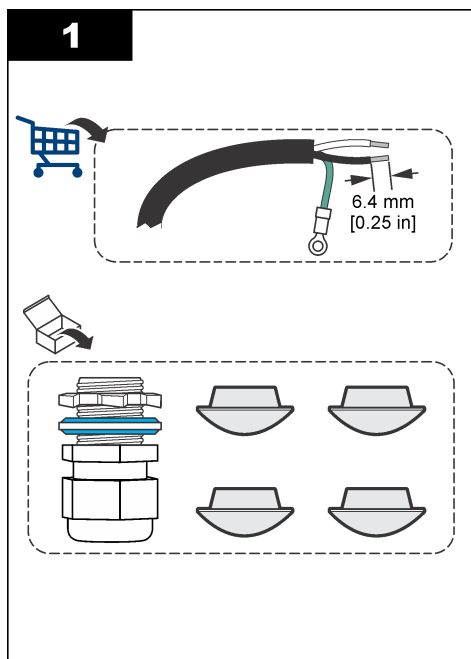
Siehe die folgenden illustrierten Schritte und [Tabelle 1](#) oder [Tabelle 2](#), um den Controller an eine Stromquelle anzuschließen. Stecken Sie die einzelnen Leiter in die entsprechende Klemme, bis die Isolierung an der Klemme anliegt und kein blanker Leiter sichtbar ist. Ziehen Sie nach dem Einstecken vorsichtig, um sicherzustellen, dass die Verbindung sicher ist. Versehen Sie alle nicht benötigten Verschraubungen mit Blindstopfen.

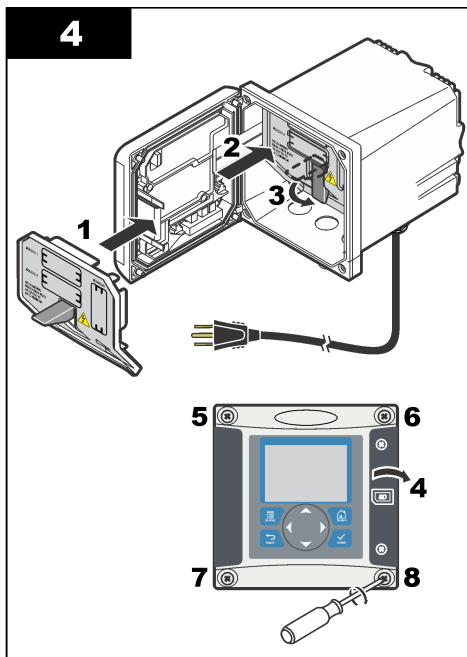
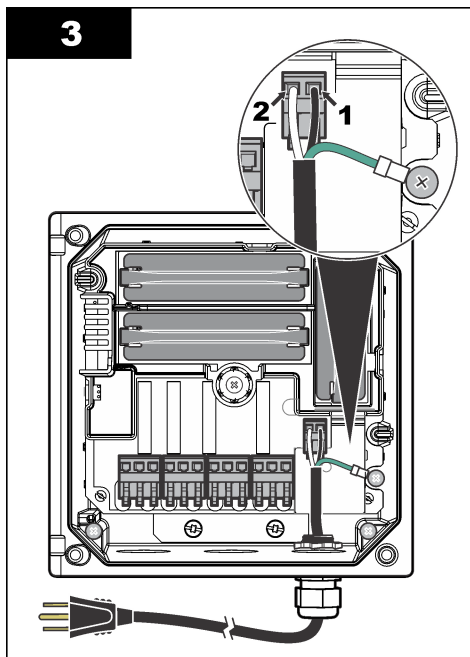
Tabelle 1 Klemmenbelegung bei Wechselspannungsversorgung (nur für Modelle mit Wechselstromanschluss)

Kontakt	Beschreibung	Farbe – Nordamerika	Farbe - EU
1	Phase (L1)	Schwarz	Braun
2	Nullleiter (N)	Weiß	Blau
—	Kabelschuh für Schutzerde	Grün	Grün mit gelben Streifen

Tabelle 2 Klemmenbelegung bei Gleichstromversorgung (nur für DC-Modelle)

Kontakt	Beschreibung	Farbe – Nordamerika	Farbe - EU
1	+24 VDC	Rot	Rot
2	24 VDC-Rückführung	Schwarz	Schwarz
—	Kabelschuh für Schutzerde	Grün	Grün mit gelben Streifen





Alarmer und Relais

Der Controller verfügt über vier potenzialfreie, einpolige Relais-Kontakte 100–250 V~, 50/60 Hz, 5 A maximal. Die Kontakte haben folgende Nennwerte: 250 V~, max. Schaltlast 5 A bei wechselstrombetriebenen Controllern bzw. 24 V=, max. Schaltlast 5 A bei gleichstrom betriebenen Controllern. Die Relais sind nicht für induktive Lasten vorgesehen.

Verdrahtung der Relais

⚠️ WARNUNG



Potenzielle Stromschlaggefahr. Stellen Sie stets die Spannungsversorgung am Gerät ab, wenn elektrische Anschlüsse durchgeführt werden.

⚠️ WARNUNG



Potenzielle Brandgefahr Die Relaiskontakte haben einen Nennstrom von 5 A und besitzen keine Sicherung. Externe Lasten, die an den Relais angeschlossen werden, müssen eine Strombegrenzung aufweisen, die den Strom auf < 5 A begrenzt.

⚠️ WARNUNG



Potenzielle Brandgefahr Gemeinsame Relaisverbindungen oder der Brückendraht vom Stromnetzanschluss im Innern des Geräts dürfen nicht verkettet werden.

⚠️ WARNUNG



Potenzielle Stromschlaggefahr. Um die NEMA/IP-Umweltbedingungen des Gehäuses zu wahren, benutzen Sie zur Verlegung von Kabeln im Geräteinnern nur Rohranschlussstücke und Kabeldurchführungen, die mindestens NEMA 4X/IP66 erfüllen.

Controller mit Wechselspannungsversorgung (100–250 V)

Das Anschlussfach ist nicht für Spannungen über 250 VAC ausgelegt.

DC-Controller (24 V)

⚠️ WARNUNG



Potenzielle Stromschlaggefahr! Die Relais von Controllern mit Anschluss an das Stromnetz (115 - 230 V) sind für den Anschluss an das Stromnetz (d. h. Spannungen oberhalb von 16 V Effektivspannung, 22,6 V Spitzenspannung bzw. 35 V Gleichspannung) ausgelegt.

⚠️ WARNUNG



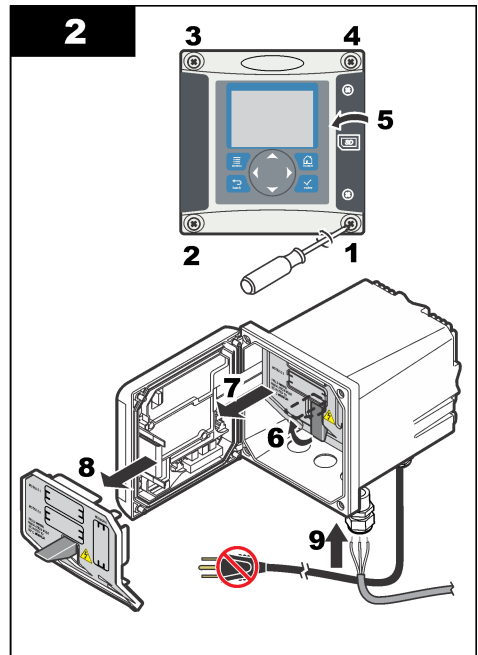
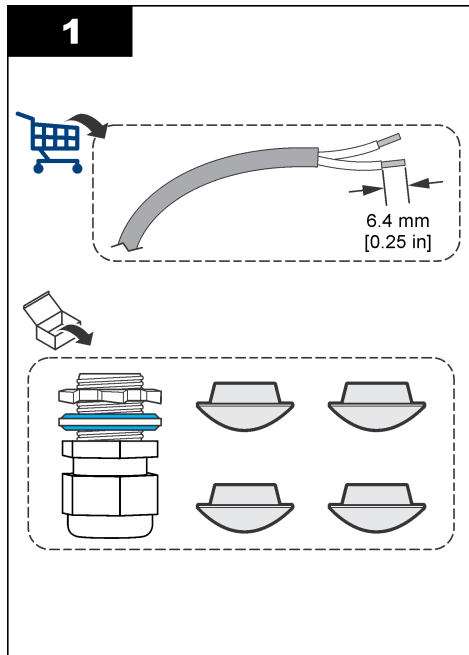
Potenzielle Stromschlaggefahr! Die Relais von mit 24 Volt Gleichspannung betriebenen Controllern sind für den Anschluss an Niederspannungskreise (d. h. Spannungen unterhalb von 16 V Effektivspannung, 22,6 V Spitzenspannung bzw. 35 V Gleichspannung) ausgelegt.

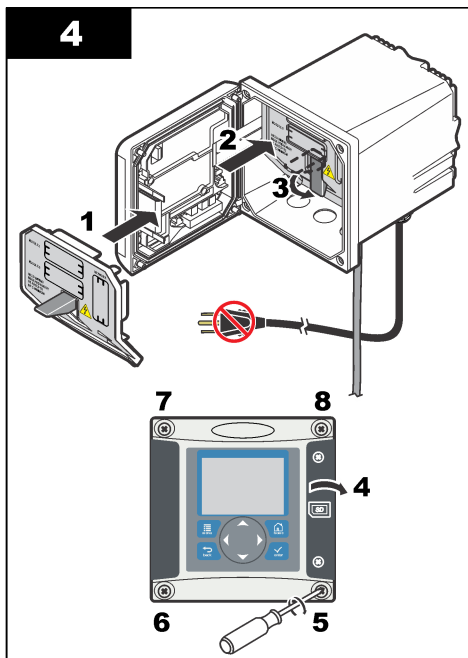
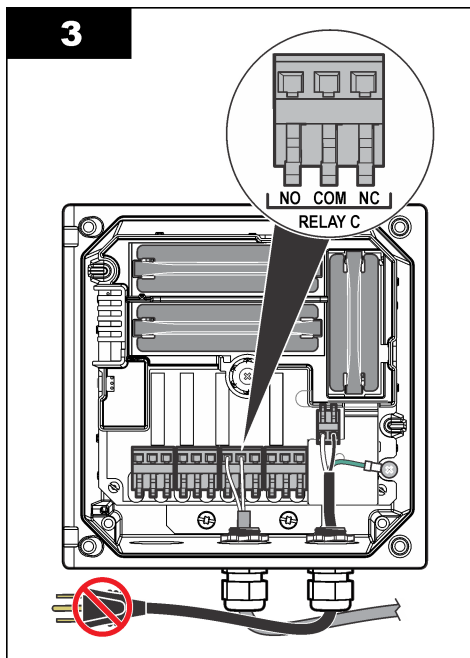
Die Relais von mit 24 Volt Gleichspannung betriebenen Controllern sind für den Anschluss an Niederspannungskreise ausgelegt (Spannungen unterhalb von 30 V Effektivspannung, 42,2 V Spitzenspannung bzw. 60 V Gleichspannung). Das Anschlussfach ist nicht für Spannungen ausgelegt, die darüber liegen.

Die Anschlussklemmen für die Relaiskontakte sind für Kabelquerschnitte von 0,8 bis 3 mm² (18 bis 12 AWG) ausgelegt. Von Kabelgrößen unter 18 AWG wird abgeraten.

Die Relaiskontakte NO (Normally Open) und COM (Common) werden angeschlossen, wenn ein Alarm oder eine andere Bedingung vorliegen. Die Relaiskontakte NC (Normally Closed) und COM (Common) werden miteinander verbunden, wenn kein Alarm und keine andere Bedingung vorliegen (es sei denn, für die Ausfallsicherung (Fail Safe) wurde die Option Yes eingestellt) oder wenn die Stromversorgung des Controllers ausgeschaltet wird.

Die meisten Relaisanschlüsse verwenden die Kontakte NO und COM bzw. NC und COM. In den nummerierten Installationsschritten werden die Anschlüsse bei Verwendung der Kontakte NO und COM beschrieben.





Anschlüsse des analogen Ausgangs

⚠ WARNUNG



Potenzielle Stromschlaggefahr. Stellen Sie stets die Spannungsversorgung am Gerät ab, wenn elektrische Anschlüsse durchgeführt werden.

⚠ WARNUNG



Potenzielle Stromschlaggefahr. Um die NEMA/IP-Umweltbedingungen des Gehäuses zu wahren, benutzen Sie zur Verlegung von Kabeln im Geräteinnern nur Rohranschlussstücke und Kabeldurchführungen, die mindestens NEMA 4X/IP66 erfüllen.

Zwei isolierte Analogausgänge (1 und 2) stehen zur Verfügung ([Abbildung 8](#)). Solche Ausgänge werden häufig für Analogsignale oder zur Steuerung anderer Geräte verwendet.

Erstellen Sie die Anschlüsse für den Controller wie in [Abbildung 8](#) und [Tabelle 3](#) beschrieben.

Hinweis: [Abbildung 8](#) zeigt die Rückseite der Controllerabdeckung, nicht das Innere des Hauptgehäuses des Controllers.

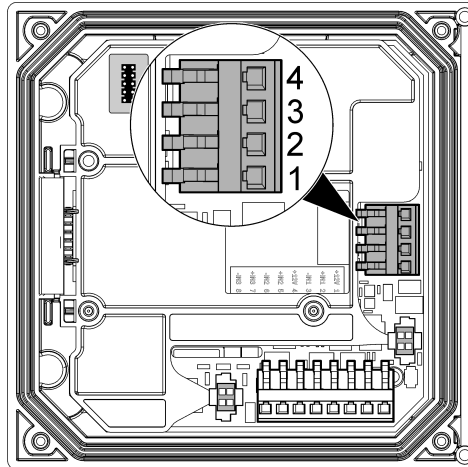
Tabelle 3 Belegung der Ausgänge

Verdrahtung Aufzeichnungsgerät	Position Schaltplatte
Ausgang 2-	4
Ausgang 2+	3
Ausgang 1-	2
Ausgang 1+	1

1. Öffnen Sie die Abdeckung des Controllers.
2. Führen Sie die Drähte durch die Zugentlastung.
3. Längen Sie die Drähte nach Bedarf ab, und ziehen Sie die Zugentlastung fest.

4. Verwenden Sie für den Anschluss abgeschirmte Twisted-Pair-Kabel, und schließen Sie den Schirm entweder am Ende der geregelten Komponente oder am Ende des Regelkreises an.
 - Schließen Sie den Schirm NICHT an beiden Kabelenden an!
 - Die Verwendung nicht abgeschirmter Kabel kann zu unzulässig hohen Hochfrequenzemissionen oder Störeffindlichkeiten führen.
 - Der maximale Schleifen-Widerstand beträgt 500 Ohm.
5. Schließen Sie die Abdeckung des Controllers, und ziehen Sie die Schrauben fest.
6. Konfigurieren Sie die Ausgänge im Controller.

Abbildung 8 Anschlüsse des analogen Ausgangs



Diskrete Eingangsleitungsverbindungen

▲ WARNUNG



Potenzielle Stromschlaggefahr. Stellen Sie stets die Spannungsversorgung am Gerät ab, wenn elektrische Anschlüsse durchgeführt werden.

▲ WARNUNG



Potenzielle Stromschlaggefahr. Um die NEMA/IP-Umweltbedingungen des Gehäuses zu wahren, benutzen Sie zur Verlegung von Kabeln im Geräteinnern nur Rohranschlussstücke und Kabeldurchführungen, die mindestens NEMA 4X/IP66 erfüllen.

Es gibt drei diskrete Eingänge für Schaltermuffeneingänge und Logikebenen-Spannungseingänge. Stellen Sie die Kabelverbindungen her, und konfigurieren Sie die Steckbrückeneinstellungen wie in [Abbildung 9](#), [Tabelle 4](#) und [Abbildung 10](#) zu sehen.

Hinweis: [Abbildung 9](#) zeigt die Rückseite der Controllerabdeckung, nicht das Innere des Hauptgehäuses des Controllers.

Abbildung 9 Diskrete Eingangsleitungsverbindungen

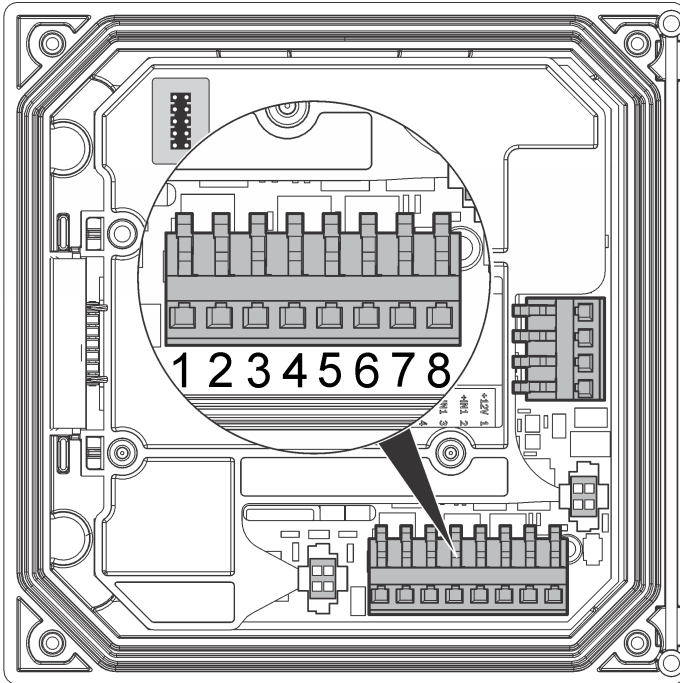
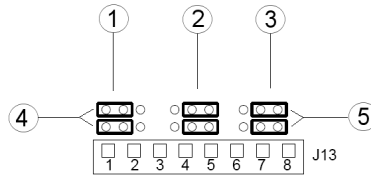


Tabelle 4 Eingangsverbindungen

Diskrete Eingänge	Steckverbinderposition – Schaltereingang	Steckverbinderposition – Spannungseingang
Eingang 1+	3	2
Eingang 1-	2	3
Eingang 2+	6	5
Eingang 2-	5	6
Eingang 3+	8	7
Eingang 3-	7	8

Abbildung 10 Steckbrückeneinstellungen



1 Eingang 1 Konfigurationssteckbrücken	4 Die Steckbrücken für Schaltereingänge liegen auf der linken Seite
2 Eingang 2 Konfigurationssteckbrücken	5 Die Steckbrücken für Spannungseingänge liegen auf der rechten Seite
3 Eingang 3 Konfigurationssteckbrücken	

1. Öffnen Sie die Abdeckung des Controllers.
2. Führen Sie die Drähte durch die Kabelverschraubung.
3. Längen Sie die Drähte nach Bedarf ab, und ziehen Sie die Kabelverschraubung fest.
4. Die Steckbrücken liegen direkt hinter dem Steckverbinder. Entfernen Sie den Steckverbinder, um je nach Typ des Eingangs besseren Zugang zu den Steckbrückeneinstellungen zu erlangen (siehe [Abbildung 10](#)).
5. Schließen Sie die Abdeckung des Controllers, und ziehen Sie die Schrauben fest.
6. Konfigurieren Sie die Eingänge im Controller.

Hinweis: Im **Schaltereingangs-Modus** versorgt der Controller den Schalter mit 12 Volt und ist nicht vom Controller isoliert. Im **Spannungseingangs-Modus** sind die Eingänge vom Controller isoliert (Eingabebereich des Benutzers von 0 bis 30 Volt).

Anschließen eines digitalen sc-Sensors

Hinweis: Informationen zum Anschließen eines analogen Sensors finden Sie in den Anleitungen, die im Lieferumfang des Moduls oder Sensors enthalten sind.

Ein digitaler sc-Sensor kann über die Schnellkupplung ([Abbildung 11](#)) angeschlossen werden. Das Anschließen eines digitalen Sensors kann bei ein- oder ausgeschaltetem Controller erfolgen.

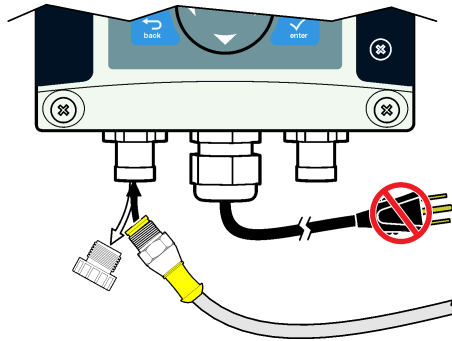
Wird ein Sensor bei eingeschaltetem Controller angeschlossen, führt der Controller keinen automatischen Gerätescan durch. Sie können veranlassen, dass der Controller einen Gerätescan durchführt, indem Sie zum Menü „Service“ navigieren und „Geräte scannen“ auswählen. Wenn ein neues Gerät gefunden wurde, führt der Controller das Installationsverfahren ohne weiteres Zutun des Benutzers durch.

Wird ein Sensor bei ausgeschaltetem Controller angeschlossen, führt der Controller beim anschließenden Einschalten einen Gerätescan durch. Wenn ein neues Gerät gefunden wurde, führt der Controller das Installationsverfahren ohne weiteres Zutun des Benutzers durch.

Bewahren Sie die Abdeckkappe des Anschlusses auf, falls der Sensor einmal abgenommen werden muss.

Abbildung 11 Schnellanschluss eines digitalen Sensors

1.



Anschließen des optionalen digitalen Kommunikationsausgangs

Der Hersteller unterstützt die Kommunikations-Protokolle Modbus RS485, Modbus RS232, Profibus DPV1 und HART. Das optionale Digitalausgangsmodule wird an der Position eingebaut, die in [Abbildung 7](#) auf Seite 39 mit 4 angegeben ist. Weitere Einzelheiten finden Sie in den Anweisungen, die mit dem Netzwerkmodul mitgeliefert werden.

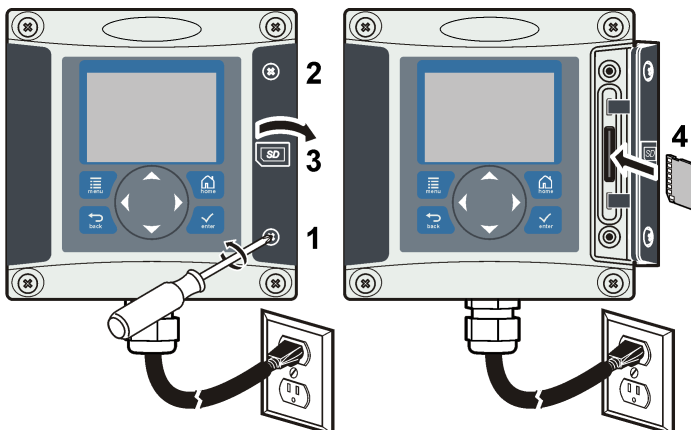
Informationen zu Modbus-Registern finden Sie auf <http://www.hach-lange.com> oder <http://www.hach.com>, indem Sie nach *Modbus-Register* suchen, oder auf jeder sc200-Produktseite.

Installieren einer Secure Digital (SD)-Speicherkarte

Eine Anleitung zur Installation einer SD-Karte im Controller finden Sie unter [Abbildung 12](#). Informationen zur Verwendung der SD-Speicherkarte können Sie in der erweiterten Version dieser Anleitung finden.

Sie entfernen eine SD-Karte aus dem Steckplatz, indem Sie die Kante der Karte nach unten drücken und anschließend wieder freigeben. Ziehen Sie dann die Karte nach oben aus dem Steckplatz heraus. Nach dem Entfernen der Karte schließen Sie die Abdeckung des Steckplatzes, und ziehen Sie die Schrauben der Abdeckung fest.

Abbildung 12 Installieren der SD-Karte

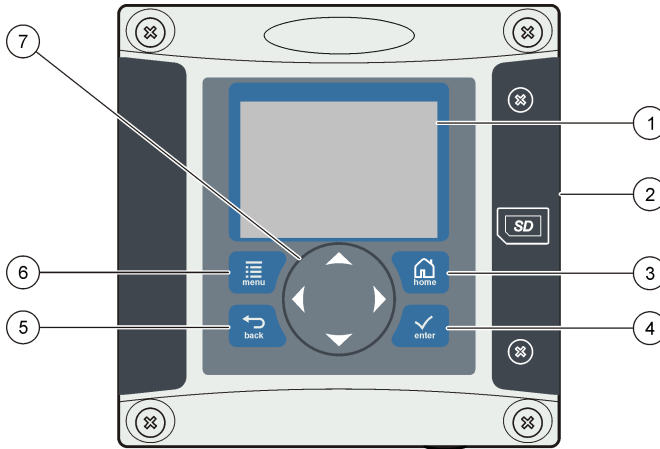


Benutzeroberfläche und Navigation

Benutzeroberfläche

Das Tastenfeld umfasst vier Menütasten und vier Pfeiltasten (siehe [Abbildung 13](#)).

Abbildung 13 Überblick über das Tastenfeld und die Frontplatte des Controllers



1 Instrumentenanzeige	5 BACK -Taste. Führt in den Menüebenen um eine Stufe zurück.
2 Abdeckung des Steckplatzes für SD-Speicherkarten	6 MENU -Taste. Hiermit navigieren Sie von einem beliebigen Bildschirm oder Untermenü zum Einstellungs Menü.
3 HOME -Taste. Hiermit kehren Sie von einem beliebigen Bildschirm oder Untermenü wieder zum Haupt-Messbildschirm zurück.	7 Pfeiltasten. Hiermit können Sie durch die Menüs navigieren, Einstellungen ändern oder den Wert von Ziffern vergrößern und verkleinern.
4 ENTER -Taste. Durch Drücken dieser Taste werden eingegebene Werte, Aktualisierungen oder angezeigte Menüoptionen übernommen.	

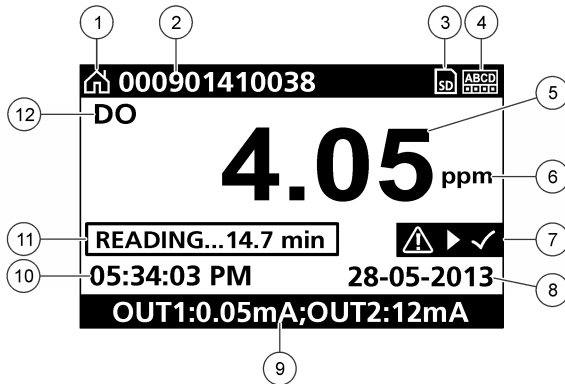
Die Einrichtung und Konfiguration der Ein- und Ausgänge erfolgt über das Tastenfeld und das Display an der Frontplatte. Über diese Benutzeroberfläche können Ein- und Ausgänge eingerichtet und konfiguriert, Protokolldaten und berechnete Werte erstellt sowie Sensoren kalibriert werden. Über die SD-Speicherkartenschnittstelle können Protokolle gespeichert und Software-Aktualisierungen durchgeführt werden.

Display

[Abbildung 14](#) zeigt ein Beispiel des Haupt-Messbildschirms, wobei ein DO-Sensor an den Controller angeschlossen ist.

Auf dem Display an der Frontplatte werden Sensormessdaten, Kalibrierungs- und Konfigurationseinstellungen, Fehler, Warnungen und andere Informationen angezeigt.

Abbildung 14 Beispiel des Haupt-Messbildschirms



1 Symbol des Startbildschirms	7 Warnstatusleiste
2 Sensorbezeichnung	8 Datum
3 SD-Speicherkarten-Symbol	9 Analoge Ausgangswerte
4 Anzeige des Relaisstatus	10 Zeit
5 Messwert	11 Fortschrittsbalken
6 Messeinheit	12 Messparameter

Tabelle 5 Symbolbeschreibung

Symbol	Beschreibung
Startbildschirm	Dieses Symbol hängt vom angezeigten Bildschirm oder Menü ab. Wenn beispielsweise eine SD-Speicherkarte installiert ist, wird an dieser Stelle ein SD-Speicherkartensymbol angezeigt, wenn Sie sich im Menü „SD Card Setup“ (SD-Karteneinstellungen) befinden.
SD-Speicherkarte	Dieses Symbol wird nur angezeigt, wenn sich eine SD-Speicherkarte im Steckplatz befindet. Wenn das Menü „SD Card Setup“ (SD-Karteneinstellungen) geöffnet ist, wird dieses Symbol in der linken oberen Ecke angezeigt.
Warnung	Warnsymbole bestehen aus einem Ausrufezeichen innerhalb eines Dreiecks. Warnsymbole werden unter dem Messwert rechts am Hauptdisplay angezeigt. Drücken Sie die EINGABE -Taste, und wählen Sie das Gerät, um alle mit diesem Gerät verbundenen Probleme anzeigen zu lassen. Das Warnsymbol wird nicht mehr angezeigt, wenn alle Probleme korrigiert oder bestätigt wurden.
Fehler	Fehlersymbole bestehen aus einem Ausrufezeichen innerhalb eines Kreises. Bei Auftreten eines Fehlers blinken das Fehlersymbol und der Messbildschirm auf dem Hauptdisplay periodisch auf. Um Fehler anzuzeigen, drücken Sie die MENÜ -Taste und wählen Sie Diagnose . Wählen Sie dann das Gerät aus, um alle mit diesem Gerät verbundenen Probleme anzeigen zu lassen.

Zusätzliche Anzeigenformate

- Drücken Sie auf der Hauptbildschirmanzeige Messung die Pfeiltasten **NACH OBEN** und **NACH UNTEN**, um zwischen Konzentrations- und Temperaturmessung zu wechseln.
- Drücken Sie auf dem Haupt-Messbildschirm die **RECHTE** Pfeiltaste, um die Bildschirmanzeige aufzuteilen und gleichzeitig bis zu 4 Messparameter anzuzeigen. Drücken Sie die **RECHTE** Pfeiltaste, um zusätzlichen Messungen anzuzeigen. Drücken Sie die **LINKE** Pfeiltaste, um zum Haupt-Messbildschirm zurückzukehren.
- Drücken Sie auf dem Haupt-Messbildschirm die **LINKE** Pfeiltaste, um auf die Grafikanzeige zu wechseln (siehe [Grafikanzeige](#) auf Seite 51 für die Definition der Parameter). Drücken Sie die

Pfeiltasten **NACH OBEN** und **NACH UNTEN**, um zwischen den verschiedenen Messungskurven zu wechseln.

Grafikanzeige

Die Grafik zeigt die Konzentration und Messtemperatur für jeden genutzten Kanal. Die Grafik ermöglicht eine einfache Überwachung der Verläufe und zeigt Veränderungen innerhalb des Prozesses an.

1. Mithilfe der Auf- und Abwärtspfeiltasten von der Grafikbildschirmanzeige aus die Grafik auswählen und die **HOME**-Taste drücken.
2. Eine Option auswählen:

Option	Beschreibung
MEASUREMENT VALUE (Messwert)	Den Messwert für den ausgewählten Kanal einstellen. Wählen Sie zwischen „Auto Scale“ (automatisch Skalieren) und „Manually Scale“ (manuell Skalieren). Zum manuelle Skalieren die Mindest- und Höchstmesswerte eingeben
DATUM & UHRZEITBREICH	Aus den verfügbaren Optionen den Datum- und Uhrzeitbereich wählen

Inbetriebnahme

Nach dem erstmaligen Einschalten des Gerätes werden nacheinander die Bildschirme „Language“ (Sprache), „Date Format“ (Datumsformat) und „Datum/Zeit“ angezeigt. Nachdem Sie die entsprechenden Einstellungen vorgenommen haben, führt der Controller einen Gerätescan durch und zeigt folgende Meldung an: **Scanning for devices. Please wait...** (Gerätescan läuft. Bitte warten...). Wenn ein neues Gerät erkannt wird, führt der Controller ein Installationsverfahren durch, bevor der Haupt-Messbildschirm einblendend wird.

Wenn beim Scan bereits installierte Geräte erkannt werden, deren Konfiguration nicht geändert wurde, wird unmittelbar nach Abschluss des Scans der Haupt-Messbildschirm des Gerätes angezeigt, das sich an Position 1 befindet.

Wenn ein Gerät aus dem Controller entfernt wurde oder beim nächsten Scan (der entweder nach dem Aus- und erneuten Einschalten durchgeführt oder über das Menü initiiert werden kann) nicht gefunden wird, zeigt der Controller die Meldung **Device missing** (Gerät fehlt) an, und Sie werden aufgefordert, das fehlende Gerät zu löschen.

Wenn an einem installierten Analogmodul kein Sensor angeschlossen ist, zeigt der Controller eine Fehlermeldung an. Wenn Geräte angeschlossen sind, die vom Controller nicht erkannt werden, lesen Sie die Informationen unter [Fehlerbehebung](#) auf Seite 53.

Erstmaliges Einstellen der Sprache, des Datums und der Uhrzeit

Wenn der Controller zum ersten Mal in Betrieb genommen oder nach dem Zurücksetzen der Konfigurationseinstellungen auf ihre Standardwerte zum ersten Mal wiedereingeschaltet wird, zeigt der Controller eine Reihe von Bildschirmen an, auf denen Sie die Sprache wählen und das Datum und die Uhrzeit eingeben können.

Nachdem Sie die Sprache, das Datum und die Uhrzeit eingestellt haben, können Sie diese Einstellungen bei Bedarf über das Menü „sc200-Einstellungen“ bearbeiten.

1. Markieren Sie im Bildschirm „Language“ (Sprache) die gewünschte Sprache, und drücken Sie die Taste **ENTER**. Die Standardsprache des Controllers ist Englisch.
Die gewählte Sprache wird gespeichert. Der „Date Format“ (Datumsformat) wird angezeigt.
2. Markieren Sie das gewünschte Datumsformat, und drücken Sie die Taste **ENTER**.
Das Datums- und Uhrzeitformat wird gespeichert. Der Bildschirm „Datum/Zeit“ wird angezeigt.
3. Drücken Sie im Bildschirm „Datum/Zeit“ die Pfeiltaste **NACH RECHTS** oder **NACH LINKS**, um ein Feld auszuwählen, und drücken Sie dann die Pfeiltasten **NACH OBEN** und **NACH UNTEN**, um den Wert im Feld zu ändern. Aktualisieren Sie die anderen Felder nach Bedarf.
4. Drücken Sie die Taste **ENTER**.

Die Änderungen werden gespeichert, und der Controller führt einen Gerätescan durch. Wenn angeschlossene Geräte erkannt werden, zeigt der Controller den Haupt-Messbildschirm des Geräts an der Position 1 an. Wenn der Controller keine angeschlossenen Geräte erkennt, schlagen Sie im Abschnitt [Fehlerbehebung](#) auf Seite 53 nach.

Informationen zur Konfiguration des Controllers

In der Tabelle finden Sie allgemeine Informationen über Konfigurationsoptionen.

1. Zur Navigation durch die Menüoptionen wählen Sie im Einstellungsmenü die Option „sc200-Einstellungen“.

Optionen	Beschreibung
Security setup (Passwortschutz)	Richtet die Passwordeinstellungen ein.
Ausgangs-Setup	Konfiguriert die Analogausgänge des Controllers
Relay setup (Relaissetup)	Konfiguriert die Relais des Controllers
Display-Setup	Konfiguriert das-Display des Controllers
Set Date/Time (Datum/Uhrzeit einstellen)	Stellt das Datum und die Uhrzeit des Controllers ein
Datalog setup (Datalog-Setup)	Konfiguriert die Datalog-Optionen. Nur verfügbar, wenn Berechnungen eingerichtet wurden.
Daten verwalten	Wählen Sie das Gerät aus der Liste der installierten Komponenten, um das Daten- oder Ereignisprotokoll anzeigen zu lassen
Error Hold Mode (Fehlerhaltemodus)	Hold Outputs (Ausgänge halten): Die Ausgänge behalten bei einem Verlust der Kommunikation zwischen Controller und Sensor ihren zuletzt bekannten Wert bei. Ausgänge auf Transfer: Schaltet bei einem Verlust der Kommunikation zwischen Controller und Sensor in den Transfermodus um. Die Ausgänge nehmen einen vordefinierten Wert an.
Berechnung	Konfiguriert die Mathematikfunktion des Controllers
sc200-Informationen	SW-Ver: Zeigt die aktuelle Version der Controller-Software an Bootloader-Vers.: Zeigt die aktuelle Version des Bootloaders an. Der Bootloader ist eine Datei, die das Hauptbetriebssystem des Controllers lädt S/N: Zeigt die Seriennummer des Controllers an Version: –Zeigt die aktuelle Version der Controller-Hardware an
Discrete Input Setup (Diskrete Eingabeeinrichtung)	Konfiguriert drei diskrete Eingangskanäle
Sprache	Legt die vom Controller verwendete Sprache fest.

2. Wählen Sie eine Option und drücken Sie **ENTER**, um die Menüoption zu aktivieren.

Wartung

▲ VORSICHT



Mehrere Gefahren. Nur qualifiziertes Personal sollte die in diesem Kapitel des Dokuments beschriebenen Aufgaben durchführen.

Reinigen des Controllers

⚠ GEFÄHR	
	<p>Trennen Sie den Controller vor der Durchführung von Wartungsarbeiten immer von der Stromversorgung.</p>

Hinweis: Kein Teil des Controllers darf mit brennbaren oder ätzenden Lösungsmittel gereinigt werden. Durch die Verwendung solcher Lösungsmittel kann der Umgebungsschutz des Geräts beeinträchtigt werden, und die Gewährleistung erlischt möglicherweise.

1. Achten Sie darauf, dass die Abdeckung des Controllers fest verschlossen ist.
2. Wischen Sie die Außenflächen des Controllers mit einem Tuch ab, das mit Wasser oder einer Mischung aus Wasser und einem milden Reinigungsmittel getränkt wurde.

Fehlerbehebung

Problem	Auflösung
Kein Stromausgang	Überprüfen Sie die Stromausgangskonfiguration.
	Prüfen Sie das Ausgangssignal mithilfe des Untermenüs „Test/Maintenance“ (Test/Wartung). Geben Sie einen Stromwert ein, und prüfen Sie das Ausgangssignal an den Anschlüssen des Controllers.
	Wenden Sie sich an den technischen Kundenservice.
Inkorrekter Stromausgang	Überprüfen Sie die Stromausgangskonfiguration.
	Prüfen Sie das Ausgangssignal mithilfe des Untermenüs „Test/Maintenance“ (Test/Wartung). Geben Sie einen Stromwert ein, und prüfen Sie das Ausgangssignal an den Anschlüssen des Controllers. Wenn der Ausgang korrekt ist, führen Sie eine Ausgangskalibrierung durch.
Keine Relaisaktivierung	Vergewissern Sie sich, dass die Relais fest und sicher angeschlossen sind.
	Vergewissern Sie sich bei Verwendung einer externen Stromquelle, dass die Relais korrekt verdrahtet sind.
	Vergewissern Sie sich, dass die Relaiskonfiguration korrekt ist.
	Testen Sie die Relaisaktivierung mithilfe des Menüs „Test/Maintenance“ (Test/Wartung). Das Relais sollte entsprechend der Auswahl anziehen bzw. abfallen.
	Vergewissern Sie sich, dass sich der Controller nicht im Kalibriermodus befindet und das Relais nicht gehalten wird.
	Setzen Sie den Overfeed-Timer zurück, um sicherzustellen, dass der Timer nicht abgelaufen ist.

Problem	Auflösung
Secure Digital-(SD-)Speicherkarte wird vom Controller nicht erkannt	Vergewissern Sie sich, dass die SD-Karte korrekt eingesetzt wurde. Die Kontaktflächen müssen in Richtung Controller-Display weisen.
	Vergewissern Sie sich, dass die SD-Karte vollständig in den Steckplatz geschoben und die Federverriegelung aktiviert wurde.
	Vergewissern Sie sich, dass die SD-Karte im FAT 32-Format korrekt formatiert wurde. Das MMC-Format wird nicht unterstützt. Formatieren Sie die SD-Karte auf einem PC unter Beachtung der Anweisungen des Kartenherstellers.
	Vergewissern Sie sich, dass die Karte keine höhere Kapazität als 32 GB hat.
	Vergewissern Sie sich, dass eine SD-Karte verwendet wird. Andere Kartentypen wie xSD, Micro-SD oder Mini-SD funktionieren nicht korrekt.
Daten werden nicht oder nicht korrekt auf der SD-Karte gespeichert	Vergewissern Sie sich, dass die SD-Karte im FAT 32-Format korrekt formatiert wurde. Das MMC-Format wird nicht unterstützt. Formatieren Sie die SD-Karte auf einem PC unter Beachtung der Anweisungen des Kartenherstellers.
	Wenn die SD-Karte zuvor bereits verwendet wurde, formatieren Sie die Karte im FAT 32-Format. Installieren Sie anschließend die Karte im Controller, und versuchen Sie dann, Dateien herunterzuladen.
	Versuchen Sie den Vorgang mit einer anderen SD-Karte.
SD-Karte voll	Lesen Sie die SD-Karte auf einem PC oder einem anderen Kartenleser aus. Speichern Sie wichtige Dateien, und löschen Sie dann einige oder alle nicht mehr benötigten Dateien von der SD-Karte.
Der Controller kann keine Software-Updates auf der SD-Karte finden	Vergewissern Sie sich, dass ein entsprechender Ordner erstellt wurde, indem Sie die SD-Karte im Controller installieren. Ein Update-Ordner wird automatisch erstellt.
	Installieren Sie die SD-Karte in einem PC, und vergewissern Sie sich, dass sich die Softwaredateien im korrekten Update-Ordner befinden.
	Wenn eine SD-Karte für mehrere Controller verwendet wird, hat jeder Controller einen separaten Ordner im System. Vergewissern Sie sich, dass sich die Software-Updates in dem entsprechenden Ordner des derzeit verwendeten Controllers befinden.
Das Display leuchtet auf, doch Zeichen werden entweder gar nicht oder nur schwach oder verschwommen angezeigt	Einstellen des Anzeigekontrasts
	Vergewissern Sie sich, dass der Schutzfilm vom Display abgezogen wurde.
	Reinigen Sie die Außenseite des Controllers, einschließlich Display.
Der Controller kann entweder überhaupt nicht oder nur mit Unterbrechungen hochgefahren werden	Sorgen Sie dafür, dass die Netzverbindungen im Controller korrekt angeschlossen sind.
	Sorgen Sie dafür, dass Netzleiste, Netzstrom und Steckdose korrekt eingesteckt sind.
	Wenden Sie sich an den technischen Kundenservice

Problem	Auflösung
<p>Das Netzwerk- oder Sensormodul wird nicht erkannt</p>	Vergewissern Sie sich, dass das Modul korrekt installiert ist.
	Sorgen Sie dafür, dass der Modulwahlschalter auf die korrekte Nummer eingestellt ist.
	Entfernen Sie das Sensormodul und installieren Sie das Modul im zweiten Analogsteckplatz. Schalten Sie die Stromversorgung des Controllers ein, und lassen Sie den Controller einen Gerätescan durchführen.
	Wenden Sie sich an den technischen Kundenservice.
<p>Der Sensor wird nicht erkannt</p> <p><i>Hinweis: Beispiel einer möglicherweise angezeigten Meldung: ****</i></p>	Wenn es sich bei dem Sensor um einen Analogsensor handelt und ein entsprechendes Modul im Controller installiert ist, lesen Sie die Anleitung, die dem Netzwerk- oder Sensormodul beiliegt.
	Vergewissern Sie sich, dass der Kabelbaum für digitale Anschlüsse an der Innenseite der Türbaugruppe angebracht ist und der Kabelbaum nicht beschädigt ist.
	Wenn der Digitalsensor über einen digitalen Anschlusskasten, eine vom Benutzer bereitgestellte Abzweigdose, digitale Verlängerungskabel oder ein vom Benutzer bereitgestelltes Verlängerungskabel mit dem Controller verbunden ist, schließen Sie den Sensor direkt an den Controller an, und führen Sie einen Gerätescan durch. Wenn der Controller den Sensor erkennt, stellen Sie sicher, dass die gesamte Verdrahtung in den Abzweigdosen und Verlängerungskabeln korrekt ist.
	Sorgen Sie dafür, dass nur zwei Sensoren im Controller installiert sind. Zwar sind zwei Anschlüsse für Analogmodule vorhanden, doch wenn ein digitaler Sensor und zwei Analogmodule installiert sind, erkennt der Controller nur zwei der drei Geräte.
	Wenden Sie sich an den technischen Kundenservice
<p>Eine Fehlermeldung über ein fehlendes Gerät wird angezeigt</p>	Führen Sie über das Menü „Test/Maintenance“ (Test/Wartung) einen Gerätescan durch.
	Schalten Sie den Controller aus und wieder ein.

Sommario

[Dati tecnici](#) a pagina 56

[Avvio del sistema](#) a pagina 78

[Informazioni generali](#) a pagina 57

[Manutenzione](#) a pagina 79

[Installazione](#) a pagina 60

[Individuazione ed eliminazione dei guasti](#) a pagina 80

[Interfaccia utente e navigazione](#) a pagina 76

Ulteriori informazioni

Ulteriori informazioni sono disponibili sul sito Web del produttore.

Dati tecnici

I dati tecnici sono soggetti a modifica senza preavviso.

Dato tecnico	Dettagli
Descrizione dei componenti	Controller con microprocessore e interfaccia che gestisce il sensore e visualizza i valori misurati.
Temperatura operativa	Da -20 a 60 °C (da -4 a 140 °F); 95% di umidità relativa, senza condensa con carico del sensore <7 W; da -20 a 50 °C (da -4 a 104 °F) con carico del sensore <28 W
Temperatura di stoccaggio	Da -20 a 70 °C (da -4 a 158 °F); 95% di umidità relativa, senza condensa
Involucro esterno ¹	Telaio in metallo NEMA 4X/IP66 con finitura anticorrosione
Requisiti di alimentazione	Controller con alimentazione CA: 100-240 Vca ±10%, 50/60 Hz; potenza 50 VA con 7 W per carico modulo di rete/sensore, 100 VA con 28 W per carico modulo di rete/sensore (collegamento di rete opzionale Modbus, RS232/RS485, Profibus DPV1 o HART). Controller con alimentazione a 24 V cc: 24 Vcc - 15%, + 20%; potenza 15 W con 7 W per carico modulo di rete/sensore, 40 W con 28 W per carico modulo di rete/sensore (collegamento di rete opzionale Modbus, RS232/RS485, Profibus DPV1 o HART).
Requisiti di altitudine	Standard 2000 m (6562 piedi) slm (sul livello del mare)
Grado di inquinamento/categoria installazione	Grado di inquinamento 2; categoria installazione II
Uscite	Due uscite analogiche (0-20 mA o 4-20 mA). Le uscite possono essere assegnate affinché rappresentino un parametro misurato quale pH, temperatura, portata o valori calcolati. Il modulo opzionale fornisce tre uscite analogiche aggiuntive (5 in totale).
Relè	Quattro contatti SPDT configurati dall'utente da 250 Vca, 5 Amp resistivi massimo per il controller con alimentazione CA e 24 Vcc, 5 Amp resistivi massimo per il controller con alimentazione CC. I relè sono realizzati per il collegamento a circuiti di alimentazione CA (ovvero, quando il controller viene utilizzato con alimentazione da 115 - 240 Vca) o a circuiti CC (ad esempio, quando il controller viene utilizzato con alimentazione da 24 Vcc).
Dimensioni	½ DIN - 144 x 144 x 180,9 mm (5,7 x 5,7 x 7,12 pollici)
Peso	1,7 kg (3,75 libbre)
Informazioni sulla conformità ²	Approvazione CE (con tutti i tipi di sensori). Omologazione UL e CSA per l'utilizzo in ubicazioni operative generiche da parte dell'ETL (con tutti i tipi di sensori). Alcuni modelli con alimentazione di rete CA hanno l'omologazione UL e CSA per l'utilizzo in ubicazioni operative generiche (con i tipi di sensore specificati).

Dato tecnico	Dettagli
Comunicazioni digitali	Collegamento di rete opzionale per la trasmissione dati Modbus, RS232/RS485, Profibus DPV1 o HART
Registrazione dati	Scheda SD (massimo 32 GB) o connettore cavo speciale RS232 per la registrazione dati e per gli aggiornamenti software. Il controller è in grado di gestire circa 20.000 punti dati per sensore.
Garanzia	2 anni

- 1 Le unità provviste di certificazione Underwriters Laboratories (UL) sono previste per l'uso in ambienti chiusi e non hanno una classificazione NEMA 4X/IP66.
- 2 Le unità con alimentazione CC non sono riportate in UL.

Informazioni generali

In nessun caso, il produttore potrà essere ritenuto responsabile in caso di danni diretti, indiretti, particolari, causali o consequenziali per qualsiasi difetto o omissione relativa al presente manuale. Il produttore si riserva il diritto di apportare eventuali modifiche al presente manuale e ai prodotti ivi descritti in qualsiasi momento senza alcuna notifica o obbligo. Le edizioni riviste sono presenti nel sito Web del produttore.

Informazioni sulla sicurezza

AVVISO

Il produttore non può essere ritenuto responsabile di danni causati dal cattivo uso di questo prodotto, inclusi, senza limitazioni, danni diretti, accidentali e consequenziali e declina la responsabilità di tali danni nella massima misura permessa dalla legge. La responsabilità relativa all'identificazione dei rischi critici dell'applicazione e all'installazione di meccanismi appropriati per proteggere i processi in caso di eventuale malfunzionamento dell'apparecchiatura compete unicamente all'utilizzatore.

Prima di disimballare, installare o utilizzare l'apparecchio, si prega di leggere l'intero manuale. Si raccomanda di leggere con attenzione e rispettare le istruzioni riguardanti possibili pericoli o note cautelative. La non osservanza di tali indicazioni potrebbe comportare lesioni gravi dell'operatore o danni all'apparecchio.

Assicurarsi che la protezione fornita da questa apparecchiatura non sia danneggiata. Non utilizzare o installare questa apparecchiatura in modo diverso da quanto specificato nel presente manuale.

Utilizzo dei segnali di pericolo

▲ PERICOLO

Indica una situazione di pericolo potenziale o imminente che, se non evitata, potrebbe causare lesioni gravi o la morte.

▲ AVVERTENZA

Indica una situazione di pericolo potenziale o imminente che, se non evitata, potrebbe comportare lesioni gravi, anche mortali.

▲ ATTENZIONE





Indica una situazione di pericolo potenziale che potrebbe comportare lesioni lievi o moderate.

AVVISO

Indica una situazione che, se non evitata, può danneggiare lo strumento. Informazioni che richiedono particolare attenzione da parte dell'utente.

Etichette di avvertimento

Leggere tutte le etichette e i contrassegni presenti sullo strumento. La mancata osservanza di questi avvertimenti può causare lesioni personali o danni allo strumento. Un simbolo sullo strumento è indicato nel manuale unitamente a una frase di avvertenza.

	Tale simbolo, se apposto sullo strumento, fa riferimento al manuale delle istruzioni per il funzionamento e/o informazioni sulla sicurezza.
	Questo simbolo indica un rischio di scosse elettriche e/o elettrocuzione.
	Questo simbolo indica la presenza di dispositivi sensibili alle scariche elettrostatiche (ESD, Electrostatic Discharge) ed è pertanto necessario prestare la massima attenzione per non danneggiare l'apparecchiatura.
	Apparecchiature elettriche con apposto questo simbolo non possono essere smaltite in impianti di smaltimento pubblici europei dopo il 12 agosto 2005. In conformità ai regolamenti europei locali e nazionali (a norma della direttiva UE 2002/96/CE), gli utenti dovranno restituire le apparecchiature vecchie o non più utilizzabili al produttore, il quale è tenuto a provvedere allo smaltimento gratuito.

Certificazioni

Canadian Radio Interference-Causing Equipment Regulation, IECS-003, Class A:

Le registrazioni dei test di supporto sono disponibili presso il produttore.

Questo apparecchio digitale di Classe A soddisfa tutti i requisiti di cui agli Ordinamenti canadesi sulle apparecchiature causanti interferenze.

Cet appareil numérique de classe A répond à toutes les exigences de la réglementation canadienne sur les équipements provoquant des interférences.

FCC Parte 15, Limiti Classe "A"

Le registrazioni dei test di supporto sono disponibili presso il produttore. Il presente dispositivo è conforme alla Parte 15 della normativa FCC. Il funzionamento è subordinato alle seguenti condizioni:

1. L'apparecchio potrebbe non causare interferenze dannose.
2. L'apparecchio deve tollerare tutte le interferenze subite, comprese quelle causate da funzionamenti inopportuni.

Modifiche o cambiamenti eseguiti sull'unità senza previa approvazione da parte dell'ente responsabile della conformità potrebbero annullare il diritto di utilizzare l'apparecchio. Questo apparecchio è stato testato ed è conforme con i limiti per un dispositivo digitale di Classe A, secondo la Parte 15 delle normative FCC. I suddetti limiti sono stati fissati in modo da garantire una protezione adeguata nei confronti di interferenze nocive se si utilizza l'apparecchiatura in applicazioni commerciali. L'apparecchiatura produce, utilizza e può irradiare energia a radiofrequenza e, se non installata e utilizzata in accordo a quanto riportato nel manuale delle istruzioni, potrebbe causare interferenze nocive per le radiocomunicazioni. L'utilizzo di questa apparecchiatura in una zona residenziale può provocare interferenze dannose; in tal caso, l'utente dovrà eliminare l'interferenza a proprie spese. Per ridurre i problemi di interferenza, è possibile utilizzare le seguenti tecniche:

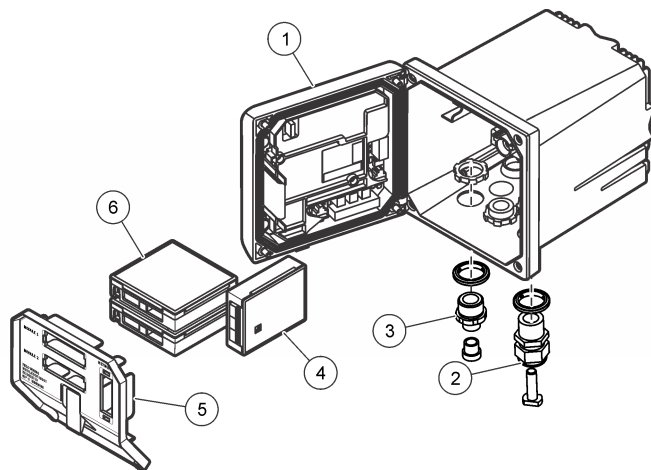
1. Scollegare l'apparecchio dalla sua fonte di potenza per verificare che sia la fonte dell'interferenza o meno.
2. Se l'apparecchio è collegato alla stessa uscita del dispositivo in cui si verifica l'interferenza, collegare l'apparecchio ad un'uscita differente.
3. Spostare l'apparecchio lontano dal dispositivo che riceve l'interferenza.
4. Posizionare nuovamente l'antenna di ricezione dell'apparecchio che riceve le interferenze.
5. Provare una combinazione dei suggerimenti sopra riportati.

Panoramica del prodotto

Il controller visualizza le misurazioni dei sensori e altri dati, può trasmettere segnali analogici e digitali e può interagire e controllare altri dispositivi tramite le uscite e i relè. Le uscite, i relè, i sensori e i moduli dei sensori vengono configurati e calibrati tramite l'interfaccia utente nella parte anteriore del controller.

La [Figura 1](#) mostra i componenti del prodotto. I componenti possono variare in base alla configurazione del controller. In caso di parti danneggiate o mancanti, contattare il produttore.

Figura 1 Componenti del sistema



1 Controller	4 Modulo di rete (opzionale)
2 Gruppo passacavi (opzionale, in base alla versione del controller)	5 Protezione per l'alta tensione
3 Raccordo di collegamento (opzionale, in base alla versione del controller)	6 Moduli sensore (opzionali)

Sensori e moduli sensore

Il controller accetta un massimo di due moduli sensore o due sensori digitali (in base alla configurazione del controller) e un modulo per le comunicazioni. È possibile montare in combinazione un singolo sensore digitale e un singolo modulo sensore. È possibile collegare tramite cavo diversi tipi di sensori ai moduli sensore. Le informazioni sul cablaggio del sensore sono contenute nei manuali relativi ai sensori e nelle istruzioni utente dei moduli specifici.

Relé, uscite e segnali

Il controller dispone di quattro interruttori relé e due uscite analogiche configurabili. Un ulteriore modulo di uscita analogico può aumentare fino a cinque il numero di uscite analogiche.

Ricerche dei dispositivi

Sebbene vi siano due eccezioni, all'accensione il controller ricerca automaticamente i dispositivi collegati senza la necessità di alcun intervento da parte dell'utente. La prima eccezione si verifica quando il controller viene acceso per la prima volta per il primo utilizzo. La seconda eccezione si verifica quando vengono ripristinati i valori predefiniti di configurazione del controller e il controller viene acceso. In entrambi i casi il controller visualizza subito le schermate che consentono di specificare la lingua e la data/ora. Dopo aver accettato i valori relativi a lingua, data e ora, il controller esegue una ricerca dei dispositivi. Consultare [Collegamento di un sensore SC digitale](#) a pagina 74 per istruzioni sulla modalità di scansione dei dispositivi una volta acceso il controller.

Struttura del controller

La struttura del controller è di tipo NEMA 4X/IP66 con finitura anticorrosione realizzata per resistere a sostanze corrosive quali nebbia salina e idrogeno solforato. Per l'uso in esterni, si consiglia comunque di adottare una protezione contro i danni dovuti alle condizioni ambientali.

Nota: Le unità provviste di certificazione Underwriters Laboratories (UL) sono previste per l'uso in ambienti chiusi e non hanno una classificazione NEMA 4X/IP66.

Possibilità di montaggio del controller

Il controller può essere montato su pannello, a parete o su un palo orizzontale o verticale. È inclusa una guarnizione di tenuta in neoprene che permette di ridurre le vibrazioni. La guarnizione può essere utilizzata come modello per il montaggio su pannello prima della separazione del componente interno.

Installazione

Componenti di montaggio e dimensioni

▲ ATTENZIONE

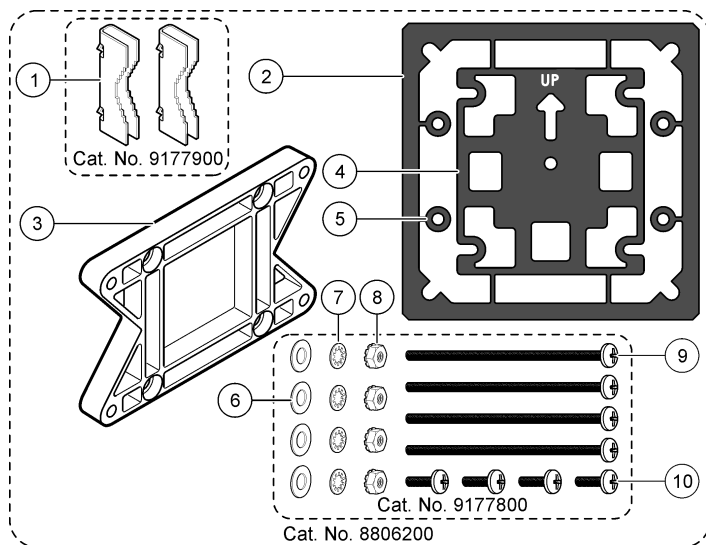
Pericolo di lesioni personali. Le operazioni riportate in questa sezione del manuale devono essere eseguite esclusivamente da personale qualificato.

Il controller può essere installato su una superficie, un pannello o su un tubo (orizzontale o verticale). Per le opzioni e le istruzioni di montaggio, fare riferimento alla [Figura 2](#), [Figura 3](#) a pagina 62, [Figura 4](#) a pagina 63, [Figura 5](#) a pagina 64 e [Figura 6](#) a pagina 65.

Per l'installazione su tubo orizzontale, il supporto ([Figura 2](#)) deve essere fissato alla staffa di montaggio in posizione verticale.

Per il montaggio su tubo orizzontale e verticale, fissare la staffa di montaggio al controller come mostrato nella [Figura 5](#) a pagina 64.

Figura 2 Componenti di montaggio



1 Supporto (2 pezzi)	6 Rondella piatta, con diametro interno di ¼ di pollice (4 pezzi)
2 Guarnizione di tenuta per il montaggio su pannello, in neoprene	7 Rondella di arresto, con diametro interno di ¼ di pollice (4 pezzi)
3 Staffa per il montaggio a parete e su tubo	8 Dado esagonale M5 x 0,8 (4 pezzi)
4 Guarnizione antivibrazioni per il montaggio su tubo	9 Viti a testa orientabile, M5 x 0,8 x 100 mm (4 pezzi) (Per installazioni su tubi a diametro variabile)
5 Rondella antivibrazioni per il montaggio su tubo (4 pezzi)	10 Viti a testa orientabile, M5 x 0,8 x 15 mm (4 pezzi)

Nota: una staffa per il montaggio a pannello è disponibile come accessorio opzionale.

Montaggio del controller

Figura 3 Dimensioni della superficie di montaggio

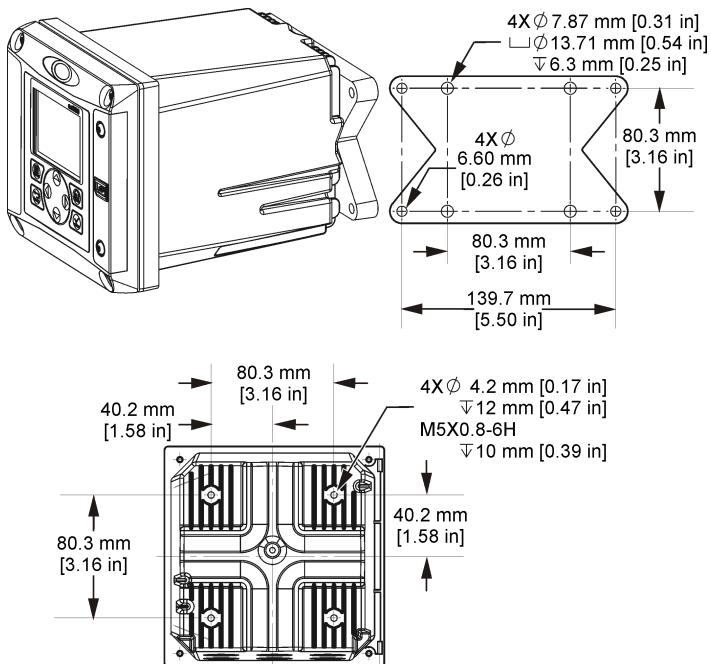
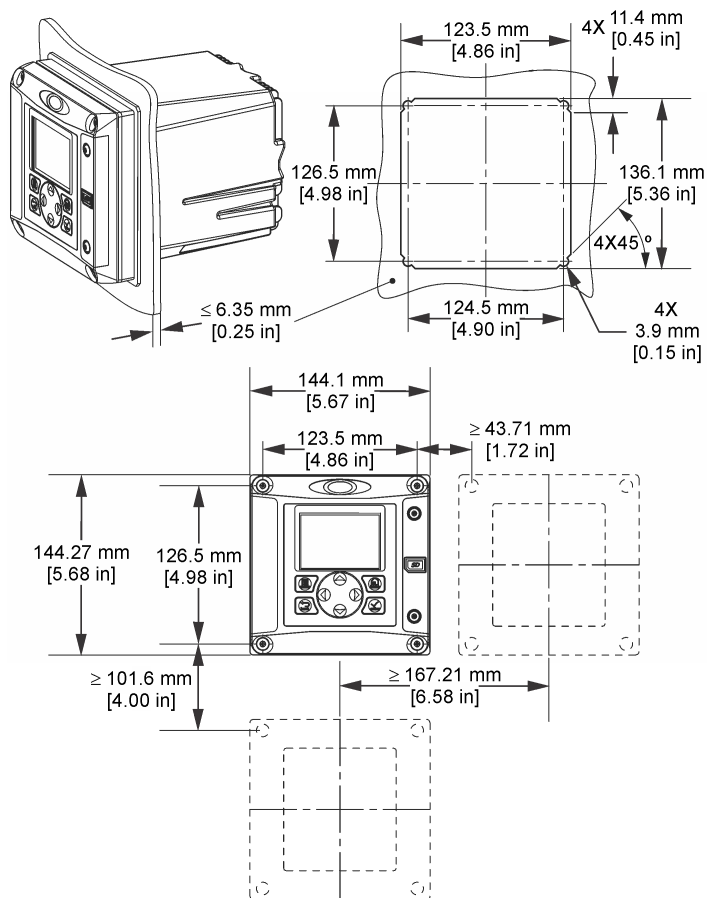


Figura 4 Dimensioni del pannello di montaggio



Nota: se si utilizza la staffa per il montaggio a pannello (opzionale), spingere il controller attraverso il foro nel pannello, quindi far scorrere la staffa sul controller, sul lato posteriore del pannello. Utilizzare quattro viti a testa orientabile da 15 mm (in dotazione) per applicare la staffa al controller e fissare il controller al pannello.

Figura 5 Montaggio del tubo (tubo verticale)

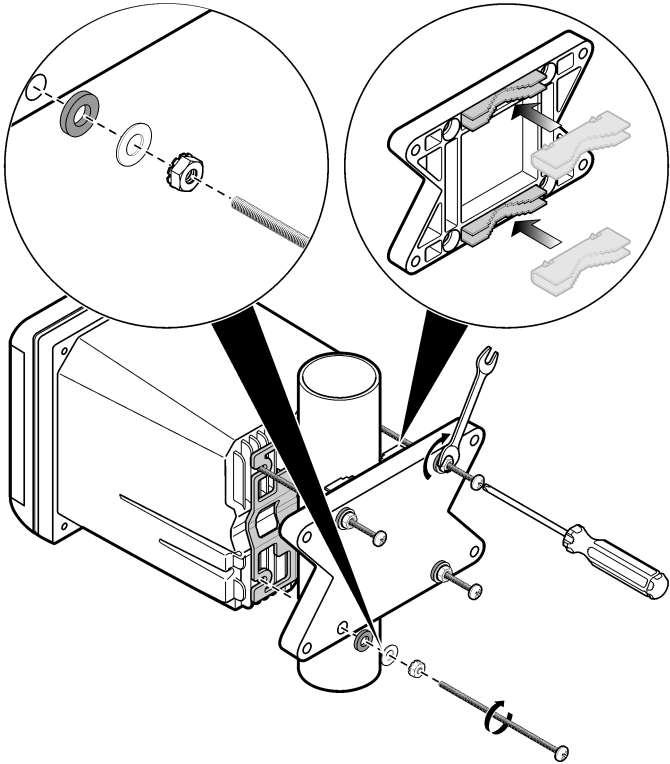
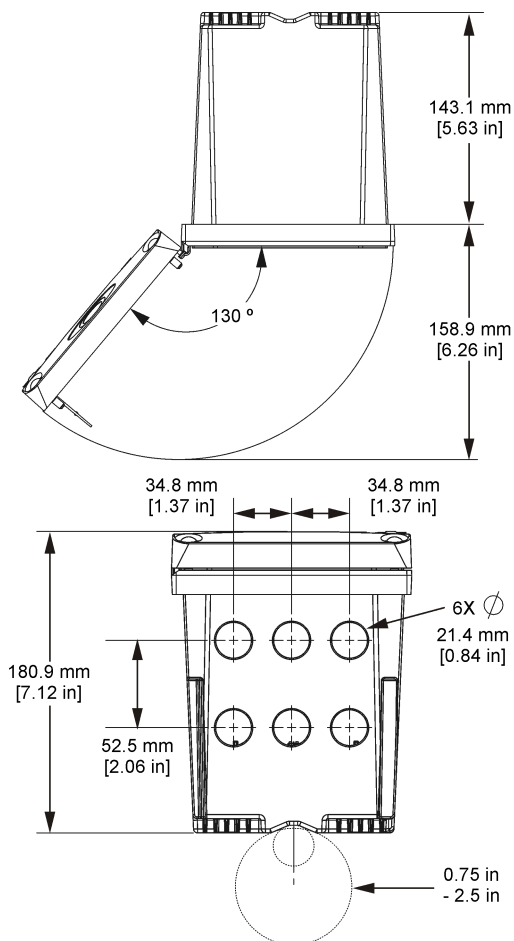


Figura 6 Vista superiore e inferiore



Protezione per l'alta tensione

Il cablaggio dell'alta tensione del controller si trova dietro la protezione per l'alta tensione nel carter del controller. La protezione deve restare in posizione, eccetto durante l'installazione dei moduli o quando un tecnico di installazione qualificato effettua il cablaggio per alimentazione, allarmi, uscite o relé. Non rimuovere la protezione per l'alta tensione mentre il controller è alimentato.

Scariche elettrostatiche

AVVISO



Danno potenziale allo strumento. Componenti elettronici interni delicati possono essere danneggiati dall'elettricità statica, compromettendo le prestazioni o provocando guasti.

Attenersi ai passaggi della presente procedura per non danneggiare l'ESD dello strumento:

- Toccare una superficie in metallo con messa a terra, ad esempio il telaio di uno strumento o una tubatura metallica per scaricare l'elettricità statica.

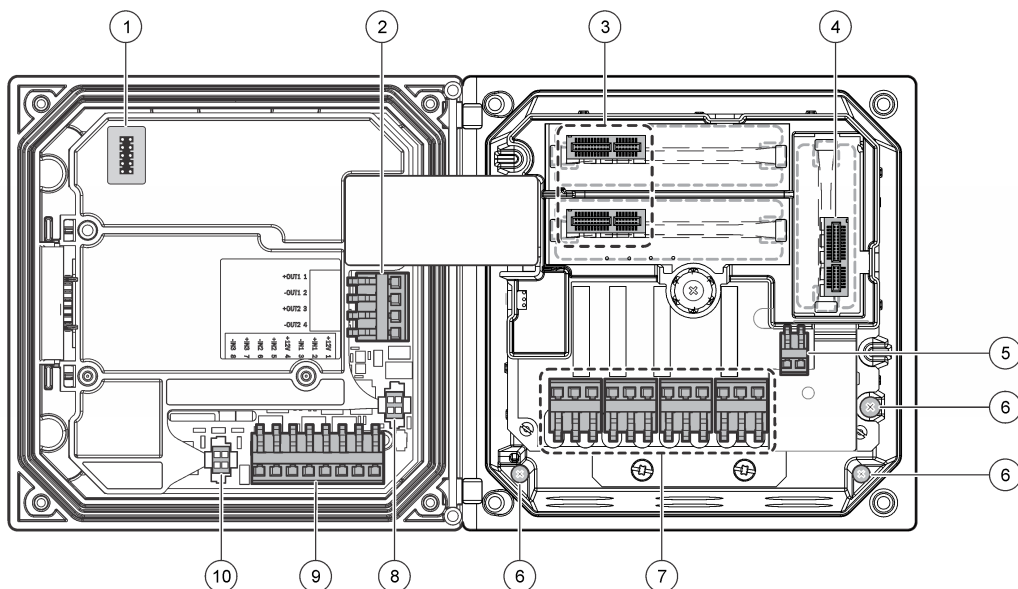
- Evitare movimenti eccessivi. Trasportare i componenti sensibili alle scariche elettrostatiche in appositi contenitori o confezioni antistatiche.
- Indossare un bracciale antistatico collegato a un filo di messa a terra.
- Lavorare in un'area sicura dal punto di vista dell'elettricità statica con tappetini e tappetini da banco antistatici.

Panoramica del cablaggio

La **Figura 7** mostra una panoramica dei collegamenti per il cablaggio interno del controller senza protezione per l'alta tensione. Il lato sinistro della figura mostra il lato posteriore del coperchio del controller.

Nota: prima di installare il modulo rimuovere i cappucci dai connettori.

Figura 7 Panoramica dei collegamenti per il cablaggio



1 Collegamento cavo di servizio	5 Connettore alimentazione CA e CC ¹	9 Connettore del cablaggio di ingresso discreto ¹
2 Uscita 4–20 mA ¹	6 Morsetti di messa a terra	10 Connettore sensore digitale ¹
3 Connettore modulo sensore	7 Collegamento dei relè ¹	
4 Connettore modulo per le comunicazioni (ad esempio, Modbus, Profibus, HART, modulo opzionale da 4-20 mA e così via)	8 Connettore sensore digitale ¹	

¹ I morsetti possono essere rimossi per migliorare l'accesso.

Cablaggio di alimentazione

⚠ AVVERTENZA



Rischio potenziale di scossa elettrica. Quando si eseguono collegamenti elettrici, scollegare sempre l'alimentazione allo strumento.

⚠ AVVERTENZA



Rischio potenziale di scossa elettrica. Se questo apparecchio viene usato all'esterno o in luoghi potenzialmente umidi, è necessario utilizzare un **interruttore automatico differenziale** per collegare l'apparecchio alla sorgente di alimentazione principale.

⚠ PERICOLO



Rischio di scossa elettrica. Non collegare l'alimentazione CA a un modello alimentato a 24 V CC.

⚠ AVVERTENZA



Rischio potenziale di scossa elettrica. È necessario un collegamento a terra di protezione (PE) per le applicazioni con cablaggio a 100-240 V CA e 24 V CC. Il non collegamento a una buona messa a terra può provocare rischio di scossa e prestazioni insoddisfacenti a causa della presenza di interferenze elettromagnetiche. Collegare SEMPRE una buona messa a terra (PE) al terminale del controller.

AVVISO

Installare il dispositivo in un luogo e in una posizione che fornisce facile accesso per la disconnessione e il funzionamento del dispositivo.

Il controller può essere acquistato con alimentazione da 100-240 Vca o da 24 Vcc. In base al modello acquistato, leggere le istruzioni di cablaggio appropriate.

Il controller può essere configurato per l'alimentazione dalla rete elettrica tramite cablaggio in tubo protettivo oppure tramite cablaggio con un cavo di alimentazione. Indipendentemente dal cavo utilizzato, i collegamenti devono essere effettuati sugli stessi morsetti. Un dispositivo di scollegamento locale, progettato in conformità alle norme vigenti in materia di elettricità, è obbligatorio e deve essere identificato per tutti i tipi di installazione. Nelle applicazioni cablate, i collegamenti di alimentazione e di massa del dispositivo devono essere realizzati con cavi tra 18 e 12 AWG.

Note:

- La protezione per l'alta tensione deve essere rimossa prima di effettuare qualsiasi collegamento elettrico. Dopo aver eseguito tutti i collegamenti e prima di riposizionare il coperchio del controller, reinstallare la protezione per l'alta tensione.
- È possibile utilizzare un passacavi di tipo sigillato e un cavo di alimentazione di lunghezza inferiore a 3 metri (10 piedi) con tre conduttori da 18 Gauge (incluso un cavo di messa a terra di sicurezza) per la conformità agli standard NEMA 4X/IP66.
- I controller possono essere ordinati con cavi di alimentazione CA preinstallati. È possibile ordinare cavi di alimentazione aggiuntivi.
- La sorgente di alimentazione CC che alimenta il controller da 24 Vcc deve mantenere una regolazione di tensione nei limiti di 24 Vcc-15% +20%. La sorgente di alimentazione CC inoltre deve fornire una protezione adeguata contro sovracorrente e disturbi della linea.

Procedura di cablaggio

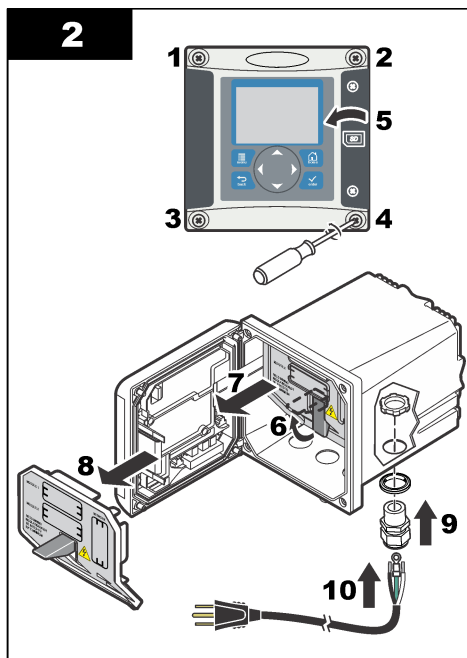
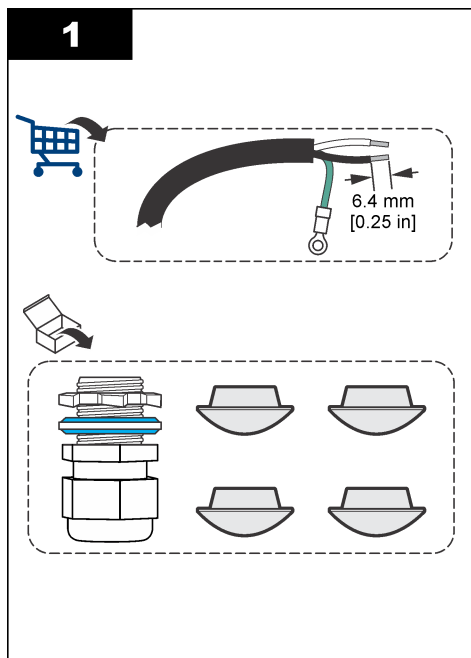
Consultare la procedura illustrata di seguito e [Tabella 1](#) o [Tabella 2](#) per collegare il controller all'alimentazione. Inserire ciascun filo nel morsetto appropriato fino a ottenere l'isolamento del connettore senza alcun filo scoperto esposto. Tirare gentilmente dopo l'inserimento per assicurarsi che il collegamento sia saldo. Sigillare tutte le aperture non utilizzate nella scatola del controller con tappi a tenuta.

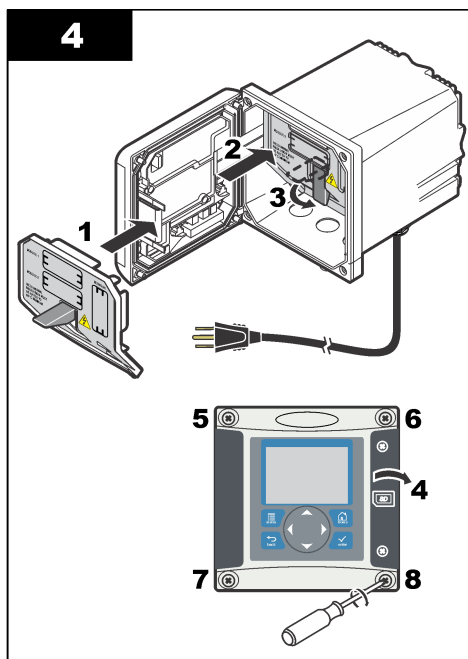
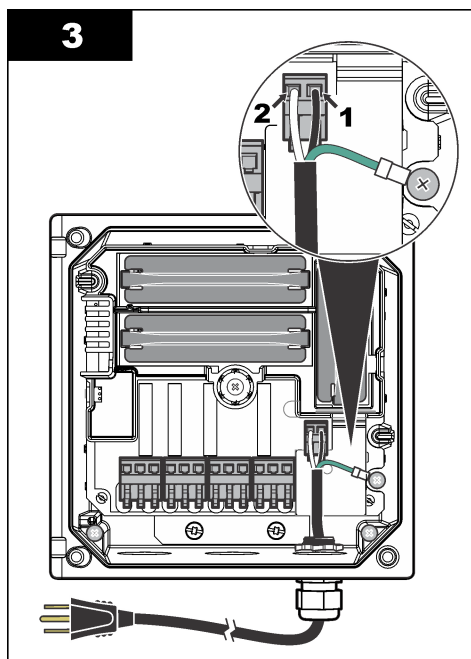
Tabella 1 Informazioni sul cablaggio dell'alimentazione CA (solo per i modelli con alimentazione CA)

Terminale	Descrizione	Colore-America del Nord	Colore - EU
1	Caldo (L1)	Nero	Marrone
2	Neutro (N)	Bianco	Blu
—	Capocorda di messa a terra Protective Earth (PE)	Verde	Verde con banda gialla

Tabella 2 Informazioni sul cablaggio dell'alimentazione CC (solo per i modelli con alimentazione CC)

Terminale	Descrizione	Colore-America del Nord	Colore - EU
1	+24 VDC	Rosso	Rosso
2	Ritorno 24 Vcc	Nero	Nero
—	Capocorda di messa a terra Protective Earth (PE)	Verde	Verde con banda gialla





Allarmi e relé

Il controller dispone di quattro relé a polo singolo non alimentati da 100-250 Vca, 50/60 Hz, 5 Amp resistivi massimo. I contatti sono da 250 Vca, 5 Amp resistivi massimo per il controller con alimentazione CA e 24 Vcc, 5 Amp resistivi massimo per il controller con alimentazione CC. I relé non sono conformi a carichi induttivi.

Relé del cablaggio

⚠ AVVERTENZA



Rischio potenziale di scossa elettrica. Quando si eseguono collegamenti elettrici, scollegare sempre l'alimentazione allo strumento.

⚠ AVVERTENZA



Rischio potenziale di incendio. I contatti relé hanno una corrente nominale di 5 A e non presentano fusibili. Carichi esterni collegati ai relé devono presentare dei dispositivi di limitazione della corrente per limitare la corrente a meno di 5 A.

⚠ AVVERTENZA



Rischio potenziale di incendio. Non collegare a margherita i collegamenti relé comuni o il cablaggio dei ponticelli dal collegamento dell'alimentazione principale all'interno dello strumento.

⚠ AVVERTENZA



Rischio potenziale di scossa elettrica. Per mantenere i rating ambientali NEMA/IP dell'alloggiamento, utilizzare solo raccordi dei condotti e ghiandole dei cavi con protezione di almeno NEMA 4X/IP66 per instradare i cavi allo strumento.

Controller alimentati tramite linea in CA (100 - 250 V)

L'alloggiamento del cablaggio non è progettato per collegamenti oltre 250 Vca.

Controller alimentati a 24 Vcc

⚠ AVVERTENZA



Rischio potenziale di scossa elettrica. I controller con alimentazione di rete CA (115 V-230 V) sono predisposti per collegamenti tramite relè alle reti di alimentazione CA (ovvero, tensioni superiori a 16 V-RMS, 22,6 V-PEAK o 35 Vcc).

⚠ AVVERTENZA



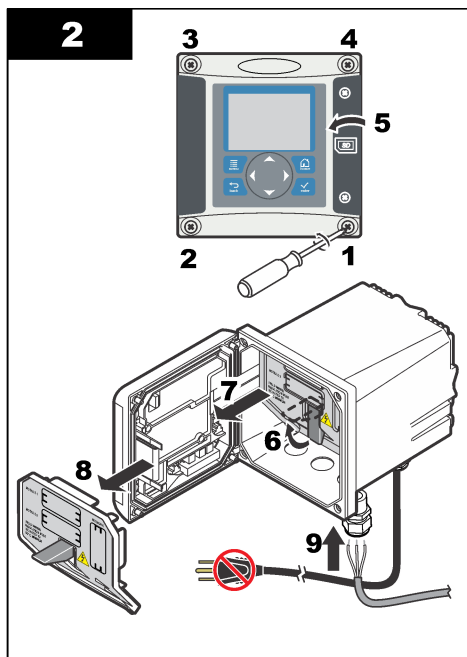
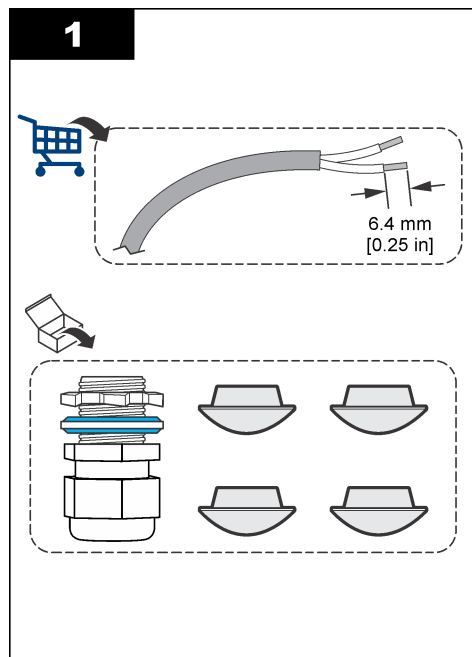
Rischio potenziale di scossa elettrica. I relè dei controller con alimentazione a 24 V sono progettati per il collegamento a circuiti a bassa tensione (ovvero tensioni inferiori a 16 V-RMS, 22,6 V-PEAK o 35 Vcc).

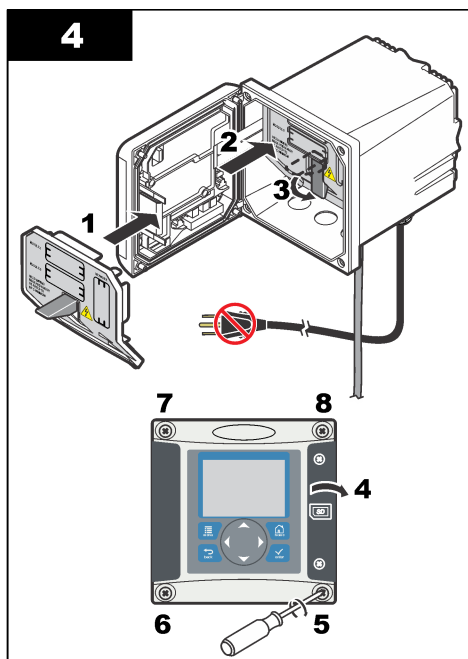
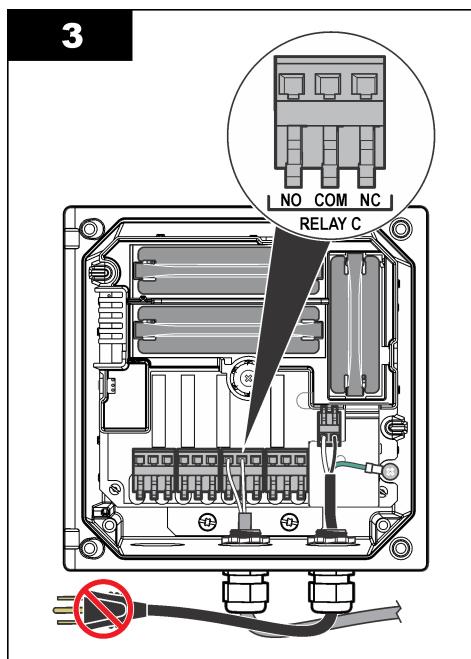
I relè del controller da 24 Vcc sono progettati per il collegamento a circuiti a bassa tensione (ovvero tensioni inferiori a 30 V-RMS, 42,2 V-PEAK o 60 Vcc). L'alloggiamento del cablaggio non è progettato per collegamenti con tensione superiore ai livelli specificati.

Il connettore del relè è compatibile con un cablaggio da 18-12 AWG (come stabilito dall'applicazione di carico). Si raccomanda di utilizzare fili con sezione inferiore a 18 AWG.

I contatti dei relè Normalmente aperti (NO) e Comuni (COM) vengono collegati in presenza di una condizione di allarme o di altro tipo attiva. I contatti dei relè Normalmente chiusi (NC) e Comuni vengono collegati in presenza di una condizione di allarme o di altro tipo non attiva (a meno che il sistema di autoeliminazione guasti non sia impostato su Si) o in caso di interruzione dell'alimentazione al controller.

La maggior parte dei collegamenti utilizza i morsetti NO e COM oppure i morsetti NC e COM. I seguenti passaggi numerati della procedura di installazione mostrano il collegamento ai morsetti NO e COM.





Collegamenti dell'uscita analogica

⚠ AVVERTENZA



Rischio potenziale di scossa elettrica. Quando si eseguono collegamenti elettrici, scollegare sempre l'alimentazione allo strumento.

⚠ AVVERTENZA



Rischio potenziale di scossa elettrica. Per mantenere i rating ambientali NEMA/IP dell'alloggiamento, utilizzare solo raccordi dei condotti e ghiaiole dei cavi con protezione di almeno NEMA 4X/IP66 per instradare i cavi allo strumento.

Sono disponibili due uscite analogiche isolate (1 e 2) (Figura 8). Queste uscite vengono solitamente utilizzate per la segnalazione analogica o per controllare altri dispositivi esterni.

Collegare i cavi del controller come mostrato nella Figura 8 e nella Tabella 3.

Nota: la Figura 8 mostra il lato posteriore del coperchio del controller e non la parte interna dell'alloggiamento principale del controller.

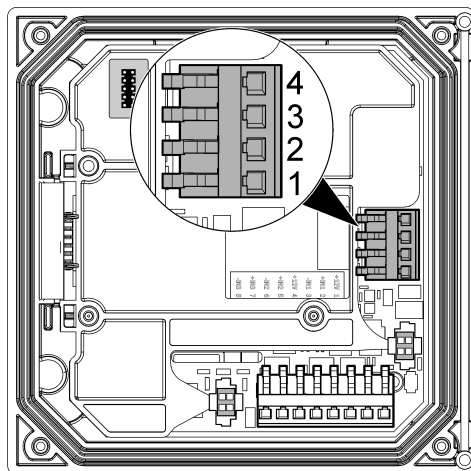
Tabella 3 Collegamenti uscita

Fili del registratore	Posizione scheda circuiti
Uscita 2-	4
Uscita 2+	3
Uscita 1-	2
Uscita 1+	1

1. Aprire il coperchio del controller.
2. Far passare i fili attraverso il passacavi.
3. Se necessario, regolare il filo e stringere il passacavi.

4. Creare i collegamenti con filo schermato intrecciato e collegare la schermatura all'estremità del componente o del loop di controllo.
 - Non collegare la schermatura a entrambe le estremità del cavo.
 - L'uso di un cavo non schermato può determinare emissioni in radiofrequenza o livelli di suscettività più elevati di quelli consentiti.
 - La resistenza loop massima è 500 Ohm.
5. Chiudere il coperchio del controller e serrare le relative viti.
6. Configurare le uscite del controller.

Figura 8 Collegamenti uscita analogica



Collegamenti del cablaggio dell'ingresso discreto

▲ AVVERTENZA



Rischio potenziale di scossa elettrica. Quando si eseguono collegamenti elettrici, scollegare sempre l'alimentazione allo strumento.

▲ AVVERTENZA



Rischio potenziale di scossa elettrica. Per mantenere i rating ambientali NEMA/IP dell'alloggiamento, utilizzare solo raccordi dei condotti e ghiandole dei cavi con protezione di almeno NEMA 4X/IP66 per instradare i cavi allo strumento.

Sono disponibili tre ingressi discreti per gli ingressi di chiusura dell'interruttore o gli ingressi di tensione dei livelli logici. Creare i collegamenti del cablaggio e configurare le impostazioni dei ponticelli per il controller come illustrato nella [Figura 9](#), [Tabella 4](#) e [Figura 10](#).

Nota: La [Figura 9](#) mostra la parte posteriore del coperchio del controller e non la parte interna dell'alloggiamento principale del controller.

Figura 9 Collegamenti del cablaggio dell'ingresso discreto

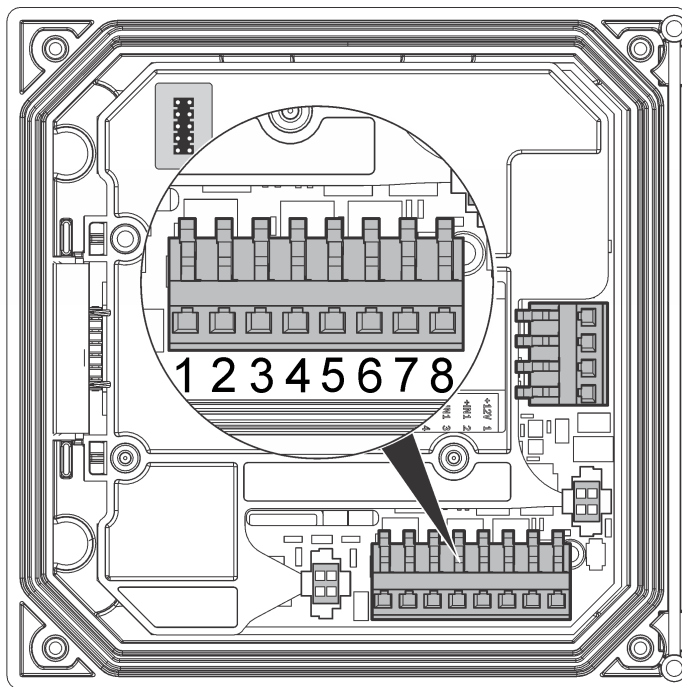
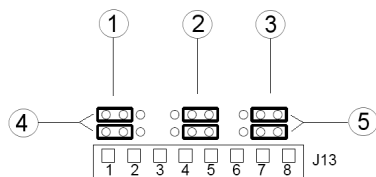


Tabella 4 Collegamenti degli ingressi

Ingressi discreti	Posizione connettore - Ingresso interruttore	Posizione connettore - Ingresso tensione
Ingresso 1+	3	2
Ingresso 1-	2	3
Ingresso 2+	6	5
Ingresso 2-	5	6
Ingresso 3+	8	7
Ingresso 3-	7	8

Figura 10 Impostazioni dei ponticelli



1 Ponticelli di configurazione ingresso 1	4 Ponticelli posizionati sulla sinistra per gli ingressi interruttore
2 Ponticelli di configurazione ingresso 2	5 Ponticelli posizionati sulla destra per gli ingressi tensione
3 Ponticelli di configurazione ingresso 3	

1. Aprire il coperchio del controller.
2. Far scorrere i cavi attraverso il pressacavo.
3. Regolare il cavo secondo necessità e serrare il pressacavo.
4. I ponticelli sono posizionati immediatamente dietro il connettore. Rimuovere il connettore per agevolare l'accesso ai ponticelli e configurare i ponticelli in funzione del tipo di ingresso, come mostrato nella [Figura 10](#).
5. Chiudere il coperchio del controller e serrare le relative viti.
6. Configurare gli ingressi nel controller.

Nota: nel modo **ingresso interruttore** il controller fornisce 12 volt all'interruttore e non è isolato dal controller. Nel modo **ingresso tensione** gli ingressi sono isolati dal controller (tensione di ingresso utente compresa tra 0 e 30 volt).

Collegamento di un sensore SC digitale

Nota: Per collegare un sensore analogico, fare riferimento alle istruzioni presenti nel manuale del modulo o del sensore.

È possibile collegare un sensore SC digitale al controller utilizzando il collegamento rapido plug and play ([Figura 11](#)). È possibile collegare un sensore digitale con il controller acceso o spento.

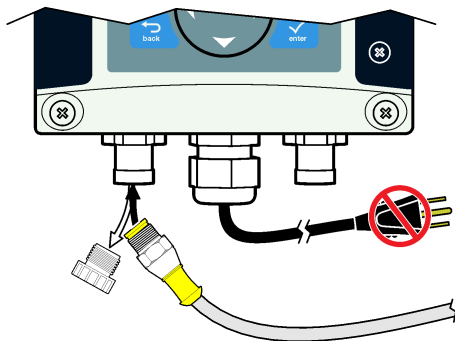
Quando un sensore viene collegato mentre il controller è acceso, il controller non esegue automaticamente la ricerca del dispositivo. Per fare in modo che il controller esegua la ricerca, accedere al menu Test/Controllo e selezionare Cerca dispositivi. Se viene rilevato un nuovo dispositivo, il controller esegue il processo di installazione senza necessità di ulteriori azioni da parte dell'utente.

Quando un sensore viene collegato mentre il controller è spento, il controller eseguirà la ricerca del dispositivo automaticamente alla riaccensione. Se viene rilevato un nuovo dispositivo, il controller esegue il processo di installazione senza necessità di ulteriori azioni da parte dell'utente.

Conservare il cappuccio del connettore per chiudere l'apertura nel caso in cui si voglia spostare la sonda.

Figura 11 Collegamento rapido del sensore digitale

1.



Collegamento dell'uscita digitale per le comunicazioni opzionale

Sono supportati i protocolli per le comunicazioni Modbus RS485, Modbus RS232, Profibus DPV1 e HART Il modulo di uscita digitale opzionale si trova nella posizione indicata dalla voce 4 nella [Figura 7](#) a pagina 66. Per ulteriori informazioni, fare riferimento alle istruzioni fornite con il modulo di rete.

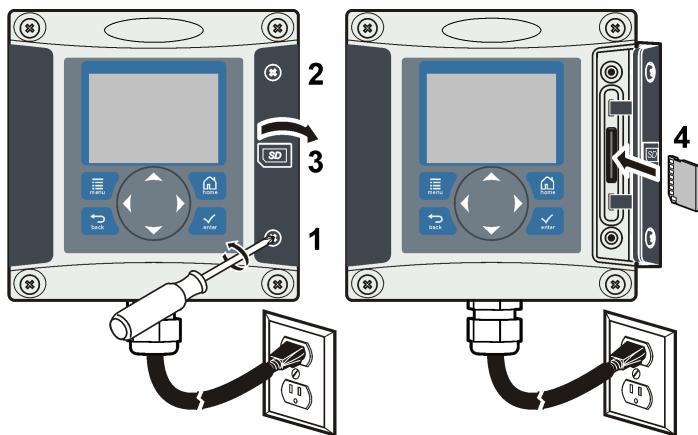
Per informazioni sui registri Modbus, accedere a <http://www.hach-lange.com> o <http://www.hach.com> ed effettuare una ricerca per *registri Modbus* oppure accedere a qualsiasi pagina di prodotto sc200.

Installazione di una scheda di memoria SD

Per istruzioni su come installare una scheda SD nel controller, fare riferimento alla [Figura 12](#). Per informazioni sull'uso della scheda di memoria SD consultare la versione completa del presente manuale.

Per rimuovere una scheda SD, premere e rilasciare il bordo della scheda, quindi estrarre la scheda dallo slot. Dopo aver rimosso la scheda, chiudere la copertura dello slot e serrare le viti.

Figura 12 Installazione della scheda SD

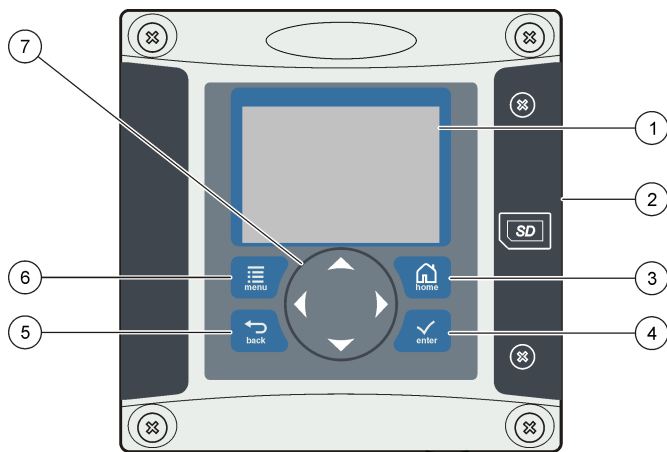


Interfaccia utente e navigazione

Interfaccia utente

Il tastierino dispone di quattro tasti menu e quattro tasti direzionali, come mostrato nella [Figura 13](#).

Figura 13 Panoramica del tastierino e del pannello anteriore



1 Display dello strumento	5 Tasto INDIETRO . Torna indietro di un livello nella struttura del menu.
2 Coperchio dello slot per schede SD	6 Tasto MENU . Consente di passare al menu Settings (Impostazioni) da altre schermate e sottomenu.
3 Tasto HOME . Consente di passare alla schermata di misurazione principale da altre schermate e sottomenu.	7 Tasti direzionali. Consentono di navigare tra i menu, modificare le impostazioni e aumentare o ridurre le cifre.
4 Tasto INVIO . Consente di accettare valori di input, aggiornamenti o le opzioni di menu visualizzate.	

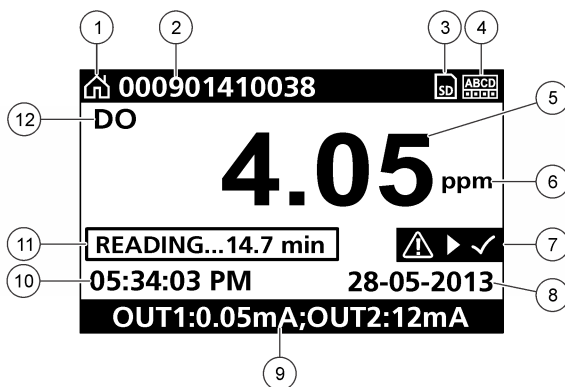
Gli ingressi e le uscite vengono impostati e configurati dal pannello anteriore, tramite il tastierino e lo schermo. Questa interfaccia utente viene utilizzata per impostare e configurare gli ingressi e le uscite, creare informazioni di registro e valori calcolati e per calibrare i sensori. L'interfaccia SD può essere utilizzata per salvare i registri e per aggiornare il software.

Display

La [Figura 14](#) mostra un esempio di schermata di misurazione principale con sensore DO collegato al controller.

Lo schermo mostra i dati di misurazione del sensore, le impostazioni di calibrazione e di configurazione, errori, avvertenze e altre informazioni.

Figura 14 Esempio di schermata di misurazione principale



1 Icona della schermata iniziale	7 Barra di stato avvertenza
2 Nome del sensore	8 Data
3 Icona della scheda di memoria SD	9 Valori uscita analogica
4 Indicatore di stato del relè	10 Ora
5 Valore di misurazione	11 Barra di avanzamento
6 Unità di misura	12 Parametro di misura

Tabella 5 Descrizioni delle icone

Icona	Descrizione
Schermata Home	L'icona può variare in base alla schermata o al menu visualizzato. Ad esempio, se è installata una scheda SD, viene visualizzata la relativa icona quando l'utente accede al menu Configur. scheda SD.
Scheda di memoria SD	Questa icona viene visualizzata solo se nello slot del lettore è presente una scheda SD. Quando l'utente accede al menu Configur. scheda SD, questa icona viene visualizzata nell'angolo superiore sinistro.
Avvertenza	Un'icona di avvertenza si presenta con un punto esclamativo all'interno di un triangolo. Le icone di avvertenza vengono visualizzate sulla destra del display principale, sotto il valore di misurazione. Premere il tasto INVIO e selezionare il dispositivo per visualizzare eventuali problemi ad esso associati. Una volta corretti e confermati tutti i problemi, l'icona di avvertenza non verrà più visualizzata.
Errore	Un'icona di errore si presenta con un punto esclamativo all'interno di un cerchio. Quando si verifica un errore, l'icona di errore e la schermata di misurazione lampeggiano alternativamente nel display principale. Per visualizzare gli errori, premere il tasto MENU e selezionare Diagnostics (Diagnostica). Quindi selezionare il dispositivo per visualizzare eventuali problemi ad esso associati.

Formati di visualizzazione aggiuntivi

- Dalla schermata di misurazione principale premere i tasti freccia **sù** e **giù** per spostarsi tra i vari parametri di misurazione
- Dalla schermata di misurazione principale, premere il tasto freccia **destra** per visualizzare uno schermo suddiviso con un massimo di 4 parametri di misurazione. Premere il tasto freccia **destra** per includere altre misurazioni. Premere ripetutamente il tasto freccia **sinistra** per tornare alla schermata di misurazione principale
- Dalla schermata di misurazione principale premere il tasto freccia **sinistra** per passare alla visualizzazione grafica (vedere [Visualizzazione grafica](#) a pagina 78 per definire i parametri). Premere i tasti freccia **sù** e **giù** per passare ai grafici di misurazione

Visualizzazione grafica

Il grafico mostra le misurazioni della concentrazione e della temperatura per ogni canale utilizzato. Inoltre, consente il facile monitoraggio delle tendenze e mostra le variazioni nel processo.

1. Dalla schermata grafica usare i tasti freccia sù e giù per selezionare un grafico, quindi premere il tasto **home**.
2. Selezionare un'opzione:

Opzione	Descrizione
VALORE MISURAZ.	Consente di impostare il valore di misurazione del canale selezionato. Scegliere tra Auto Scale (Ridimensionamento automatico) e Manually Scale (Ridimensionamento manuale). Per il ridimensionamento manuale digitare i valori di misurazione minimo e massimo
INTERV. DATA E ORA	Selezionare l'intervallo data e ora dalle opzioni disponibili

Avvio del sistema

Alla prima accensione vengono visualizzate nell'ordine le schermate Language (Lingua), Formato data e Data/Ora. Dopo aver impostato queste opzioni, il controller esegue la ricerca dei dispositivi e visualizza il messaggio **Ricerca dispositivi. Attendere...** Se viene rilevato un nuovo dispositivo, il controller esegue il processo di installazione prima di visualizzare la schermata di misurazione principale.

Se la ricerca individua dispositivi precedentemente installati senza modifiche alla configurazione, al termine della ricerca viene visualizzata la schermata di misurazione principale nella posizione numero uno.

Se un dispositivo è stato rimosso dal controller oppure non viene rilevato alla successiva ricerca avviata all'accensione o tramite menu, il controller visualizza un messaggio **Dispositivo assente** e richiede di eliminare il dispositivo mancante.

Se a un modulo analogico installato non è collegato alcun sensore, il controller segnalerà un errore. Se i dispositivi sono collegati ma non individuati dal controller, fare riferimento alla sezione [Individuazione ed eliminazione dei guasti](#) a pagina 80.

Prima impostazione di lingua, data e ora

Il controller visualizza le schermate relative alla lingua e alla data/ora quando viene acceso per la prima volta e quando viene acceso dopo aver ripristinato i valori predefiniti di configurazione. Dopo la prima impostazione delle opzioni relative alla lingua e alla data/ora, aggiornare le opzioni tramite il menu di configurazione dell'unità sc200 come richiesto.

1. Nella schermata Language (Lingua), evidenziare una lingua nell'elenco delle opzioni e premere il tasto **INVIO**. L'inglese è la lingua predefinita del controller.
La lingua selezionata viene salvata. Viene visualizzata la schermata Date Format (Formato data).
2. Nella schermata Date Format (Formato data), evidenziare un formato e premere il tasto **INVIO**. Il formato di data/ora viene salvato. Quindi, viene visualizzata la schermata Date /Time (Data/Ora).
3. Nella schermata Date /Time (Data/Ora), premere i tasti freccia **DESTRA** o **SINISTRA** per evidenziare un campo, quindi premere i tasti freccia **SU** e **GIÙ** per aggiornare il valore nel campo. Se necessario, aggiornare gli altri campi.
4. Premere il tasto **INVIO**.
Le modifiche vengono salvate e il controller esegue la ricerca dei dispositivi all'avvio. Se vengono rilevati dispositivi collegati, il controller visualizza la schermata di misurazione principale per il dispositivo nella posizione numero uno. Se il controller non rileva dispositivi collegati, fare riferimento a [Individuazione ed eliminazione dei guasti](#) a pagina 80.

Informazioni di configurazione del controller

Nella tabella sono riportate informazioni generali sulle opzioni di configurazione.

1. Per accedere alle opzioni di menu, selezionare **sc200 Setup** (Configurazione sc200) dal menu **Settings** (Impostazioni).

Opzione	Descrizione
Security setup (Configurazione sicurezza)	Consente di impostare le preferenze per la password.
Output setup (Configurazione uscita)	Consente di configurare le uscite analogiche del controller
Relay setup (Configurazione relè)	Consente di configurare i relè del controller
Configurazione del display	Consente di configurare il display del controller
Set Date/Time (Imposta data/ora)	Consente di impostare la data e l'ora del controller
Datalog setup (Impostazione registro dati)	Consente di configurare le opzioni di registrazione dati. Disponibile solo se è stata configurata l'opzione di calcolo.
Manage Data (Gestione dati)	Selezionare il dispositivo dall'elenco dei componenti installati per visualizzare il registro dati o eventi
Error Hold Mode (Errore Modalità in sospenso)	Hold Outputs (Mantieni uscite): consente di mantenere le uscite impostate sull'ultimo valore noto nel momento in cui il controller perde le comunicazioni con il sensore. Transfer Outputs (Trasferisci uscite): consente di passare alla modalità di trasferimento quando il controller perde le comunicazioni con il sensore. Consente di impostare il trasferimento delle uscite su un valore predefinito.
Calcolo	Consente di configurare le funzioni matematiche del controller
Informazioni su sc200	S/W VER (VER. S/W): — Consente di visualizzare la versione corrente del software del controller Bootloader VER (VER. Bootloader): visualizza la versione corrente di Bootloader. Il Bootloader è un file che carica il sistema operativo principale del controller S/N: — Consente di visualizzare il numero di serie del controller Versione: — Consente di visualizzare la versione corrente dell'hardware del controller
Discrete Input Setup (Impostazione ingresso discreto)	Consente di configurare tre canali di ingresso discreto
Language (Lingua)	Consente di impostare la lingua utilizzata per il controller.

2. Selezionare un'opzione e premere **INVIO** per attivare la voce di menu.

Manutenzione

⚠ ATTENZIONE



Pericoli multipli. Gli interventi descritti in questa sezione del documento devono essere eseguiti solo da personale qualificato.

Pulizia del controller

⚠ PERICOLO



Staccare sempre l'alimentazione dal controller prima di procedere alle attività di manutenzione.

Nota: Non utilizzare solventi infiammabili o corrosivi per pulire qualsiasi componente o superficie del controller. L'uso di solventi di questo tipo può ridurre la protezione dagli agenti ambientali dell'unità e invalidare la garanzia.

1. Assicurarsi che il coperchio del controller sia ben chiuso.
2. Strofinare le superfici esterne del controller con un panno inumidito con acqua o con acqua mescolata a un detergente delicato.

Individuazione ed eliminazione dei guasti

Problema	Risoluzione
Nessuna uscita di corrente	Verificare la configurazione dell'uscita di corrente.
	Eeguire il test del segnale di uscita di corrente utilizzando il sottomenu Test/Controllo. Immettere un valore di corrente e verificare il segnale di uscita sui collegamenti del controller.
	Contattare il servizio tecnico di assistenza.
Uscita di corrente non valida	Verificare la configurazione dell'uscita di corrente.
	Eeguire il test del segnale di uscita di corrente utilizzando il sottomenu Test/Controllo. Immettere un valore di corrente e verificare il segnale di uscita sui collegamenti del controller. Se l'uscita non è corretta, eseguire una calibrazione dell'uscita.
Nessuna attivazione del relé	Verificare che le connessioni del relé siano adeguate.
	Se si utilizza una sorgente di alimentazione esterna, verificare che il cablaggio del relé sia corretto.
	Verificare che la configurazione del relé sia corretta.
	Verificare l'attivazione del relé tramite il menu Test/Controllo. A seconda della selezione, il relé dovrebbe essere messo sotto tensione o meno.
	Verificare che il controller non sia in modalità di calibrazione e che il relé non sia in sospenso.
Ripristinare il timer di sovralimentazione per verificare che il timer non sia scaduto.	

Problema	Risoluzione
La scheda di memoria SD non viene riconosciuta dal controller	Verificare che la scheda SD sia orientata correttamente. Le tracce in rame devono essere orientate verso lo schermo del controller.
	Verificare che la scheda SD sia completamente inserita nello slot e che la chiusura a molla sia innestata.
	Verificare che la scheda SD sia formattata correttamente in formato FAT 32. Il formato MMC non è supportato. Attenersi alle istruzioni del produttore della scheda per la formattazione della scheda SD su PC.
	Verificare che la scheda non abbia una capacità superiore a 32 GB.
	Verificare che venga utilizzata una scheda SD. Altri tipi di scheda (ad esempio xSD, micro SD, mini SD) non funzioneranno correttamente.
Le informazioni non vengono salvate correttamente o non vengono salvate affatto sulla scheda SD.	Verificare che la scheda SD sia formattata correttamente in formato FAT 32. Il formato MMC non è supportato. Attenersi alle istruzioni del produttore della scheda per la formattazione della scheda SD su PC.
	Se la scheda SD è stata utilizzata in precedenza, formattarla in formato FAT 32, installarla nel controller e provare a scaricare i file.
	Provare a utilizzare una scheda SD differente.
La scheda SD è piena	Leggere la scheda SD con un PC o un altro dispositivo per la lettura delle schede. Salvare i file importanti ed eliminare alcuni file o tutti i file dalla scheda SD.
Il controller non individua gli aggiornamenti software sulla scheda SD.	Verificare che venga creata una cartella appropriata installando la scheda SD nel controller. Viene automaticamente creata una cartella per gli aggiornamenti.
	Installare la scheda SD su un PC e verificare che i file del software si trovino nella cartella appropriata.
	Se la stessa scheda SD viene utilizzata con controller differente, per ogni controller sarà disponibile una cartella separata nel sistema. Verificare che gli aggiornamenti software si trovino nella cartella dedicata al controller in uso.
Lo schermo è acceso ma non vengono visualizzati i caratteri oppure i caratteri visualizzati sono poco nitidi o sfocati.	Regolazione del contrasto dello schermo
	Verificare che sia stata rimossa la pellicola protettiva dallo schermo.
	Pulire la parte esterna del controller, incluso lo schermo.
Il controller non viene alimentato o l'alimentazione è intermittente	Verificare che le connessioni dell'alimentazione CA siano appropriate nel controller.
	Verificare che la presa multipla, la linea elettrica e la presa di corrente siano collegate correttamente.
	Contattare il servizio tecnico di assistenza

Problema	Risoluzione
Modulo di rete o sensore non riconosciuto	Verificare che il modulo sia installato correttamente.
	Verificare che il selettore del modulo sia impostato sul numero appropriato.
	Rimuovere il modulo del sensore e installare il modulo nel secondo slot analogico. Alimentare il controller per consentire la ricerca del dispositivo.
	Contattare il servizio tecnico di assistenza.
Sensore non riconosciuto <i>Nota: Esempio di possibile messaggio: ****</i>	Se il sensore è analogico e nel controller è installato un modulo corrispondente, fare riferimento alle istruzioni fornite con il modulo di rete o sensore.
	Verificare che il cablaggio del connettore digitale si trovi all'interno del complessivo di chiusura e che non sia danneggiato.
	Se il sensore digitale è collegato al controller con una scatola di derivazione digitale, una scatola di giunzione, prolunghe digitali o prolunghe di altro tipo, è possibile collegare il sensore direttamente al controller ed eseguire la ricerca dei dispositivi. Se il controller riconosce il sensore, verificare che i cablaggi delle scatole di giunzione o delle prolunghe siano corretti.
	Verificare che nel controller siano installati solo due sensori. Sebbene siano disponibili due porte per moduli analogici, se è installato un sensore digitale e due moduli analogici, solo due dei tre dispositivi vengono riconosciuti dal controller.
	Contattare il servizio tecnico di assistenza
Viene visualizzato il messaggio d'errore Dispositivo assente	Eseguire la ricerca dei dispositivi dal menu Test/Controllo.
	Spegner e riaccendere il controller.

Table des matières

[Caractéristiques](#) à la page 83

[Démarrage du système](#) à la page 105

[Généralités](#) à la page 84

[Maintenance](#) à la page 106

[Installation](#) à la page 87

[Dépannage](#) à la page 107

[Interface utilisateur et navigation](#) à la page 103

Informations supplémentaires

Des informations supplémentaires sont disponibles sur le site Web du fabricant.

Caractéristiques

Les caractéristiques techniques peuvent être modifiées sans préavis.

Caractéristique	Détails
Description des composants	Transmetteur piloté par microprocesseur et par menus qui gère le fonctionnement des capteurs et affiche les valeurs mesurées
Température de fonctionnement	De -20 à 60 °C (-4 à 140 °F) ; 95 % d'humidité relative, sans condensation, avec charge de capteur inférieure à 7 W ; de -20 à 50 °C (-4 à 104 °F) avec charge de capteur inférieure à 28 W
Température de stockage	De -20 à 70 °C (-4 à 158 °F) ; 95 % d'humidité relative, sans condensation
Boîtier ¹	Boîtier métallique NEMA 4X/IP66 avec finition résistante à la corrosion
Alimentation requise	Transmetteur alimenté en courant alternatif : 100-240 VCA ±10 %, 50/60 Hz ; puissance 50 VA avec charge de module de réseau/de capteur 7 W, 100 VA avec charge de module de réseau/de capteur 28 W (en option, connexion réseau Modbus RS232/RS485, Profibus DPV1 ou HART).
	Transmetteur alimenté en courant continu 24 VCC : 24 VCC—15 %, + 20 % ; puissance 15 W avec charge de module de réseau/de capteur 7 W, 40 W avec charge de module de réseau/de capteur 28 W (en option, connexion réseau Modbus RS232/RS485, Profibus DPV1 ou HART).
Altitude	Altitude standard de 2 000 mètres (6562 ft) au-dessus du niveau de la mer (ASL)
Degré de pollution/catégorie de l'installation	Degré de pollution 2 ; Catégorie d'installation II
Sorties	Deux sorties analogiques (0-20 mA ou 4-20 mA). Il est possible de configurer chaque sortie analogique afin qu'elle représente un paramètre mesuré, tel que le pH, la température, le débit ou des valeurs calculées. Le module en option fournit trois sorties analogiques supplémentaires (pour un total de 5).
Relais	Quatre contacts configurés par l'utilisateur présentant une tension nominale de 250 VCA et un courant résistif maximal de 5 A pour le transmetteur alimenté en courant alternatif, et une tension nominale de 24 VCC et un courant résistif maximal de 5 A pour le transmetteur alimenté en courant continu. Les relais sont conçus pour être connectés à l'alimentation secteur (lorsque le transmetteur fonctionne en 115 - 240 VCA) ou aux circuits en courant continu (lorsque le transmetteur fonctionne en 24 VCC).
Dimensions	½ DIN - 144 x 144 x 180,9 mm (5.7 x 5.7 x 7.12 in.)
Poids	1,7 kg (3,75 lb)

Caractéristique	Détails
Informations de conformité ²	Certifiés CE (tous types de capteur). Indiqués pour une utilisation dans des endroits sans spécificité particulière conformément aux normes de sécurité CSA et UL par l'ETL (tous types de capteur) Certains modèles alimentés sur secteur en courant alternatif sont répertoriés pour une utilisation dans des lieux aux conditions de sécurité générales conformément aux normes de sécurité UL et CSA établies par Underwriters Laboratories (tous types de capteurs).
Communication numérique	Connexion réseau Modbus, RS232/RS485, Profibus DPV1 ou HART en option pour la transmission de données
Enregistrement des données	Carte SD sécurisée (32 Go maximum) ou connecteur de câble RS232 spécial pour l'enregistrement des données et l'exécution des mises à jour logicielles. Le transmetteur conserve environ 20 000 points de données par capteurs.
Garantie	2 ans

¹ Les unités disposant de la certification Underwriters Laboratories (UL) sont prévues pour une utilisation en intérieur uniquement et ne sont pas certifiées NEMA 4X/IP66.

² Les unités alimentées en courant continu ne sont pas répertoriées par UL.

Généralités

En aucun cas le constructeur ne saurait être responsable des dommages directs, indirects, spéciaux, accessoires ou consécutifs résultant d'un défaut ou d'une omission dans ce manuel. Le constructeur se réserve le droit d'apporter des modifications à ce manuel et aux produits décrits à tout moment, sans avertissement ni obligation. Les éditions révisées se trouvent sur le site Internet du fabricant.

Consignes de sécurité

AVIS

Le fabricant décline toute responsabilité quant aux dégâts liés à une application ou un usage inappropriés de ce produit, y compris, sans toutefois s'y limiter, des dommages directs ou indirects, ainsi que des dommages consécutifs, et rejette toute responsabilité quant à ces dommages dans la mesure où la loi applicable le permet. L'utilisateur est seul responsable de la vérification des risques d'application critiques et de la mise en place de mécanismes de protection des processus en cas de défaillance de l'équipement.

Veuillez lire l'ensemble du manuel avant le déballage, la configuration ou la mise en fonctionnement de cet appareil. Respectez toutes les déclarations de prudence et d'attention. Le non-respect de cette procédure peut conduire à des blessures graves de l'opérateur ou à des dégâts sur le matériel.

Assurez-vous que la protection fournie avec cet appareil n'est pas défaillante. N'utilisez ni n'installez cet appareil d'une façon différente de celle décrite dans ce manuel.

Interprétation des indications de risques

▲ DANGER

Indique une situation de danger potentiel ou imminent qui, si elle n'est pas évitée, entraîne des blessures graves, voire mortelles.

▲ AVERTISSEMENT

Indique une situation de danger potentiel ou imminent qui, si elle n'est pas évitée, peut entraîner des blessures graves, voire mortelles.

▲ ATTENTION





Indique une situation de danger potentiel qui peut entraîner des blessures mineures ou légères.

AVIS

Indique une situation qui, si elle n'est pas évitée, peut occasionner l'endommagement du matériel. Informations nécessitant une attention particulière.

Étiquettes de mise en garde

Lisez toutes les étiquettes et tous les repères apposés sur l'instrument. Des personnes peuvent se blesser et le matériel peut être endommagé si ces instructions ne sont pas respectées. Un symbole sur l'appareil est désigné dans le manuel avec une instruction de mise en garde.

	Si l'appareil comporte ce symbole, reportez-vous au manuel d'utilisation pour consulter les informations de fonctionnement et de sécurité.
	Ce symbole indique qu'il existe un risque de choc électrique et/ou d'électrocution.
	Ce symbole indique la présence d'appareils sensibles aux décharges électrostatiques et indique que des précautions doivent être prises afin d'éviter d'endommager l'équipement.
	En Europe, depuis le 12 août 2005, les appareils électriques comportant ce symbole ne doivent pas être jetés avec les autres déchets. Conformément à la réglementation nationale et européenne (Directive 2002/96/CE), les appareils électriques doivent désormais être, à la fin de leur service, renvoyés par les utilisateurs au fabricant, qui se chargera de les éliminer à ses frais.

Certification

Règlement canadien sur les équipements causant des interférences radio, IECS-003, Classe A:

Les données d'essai correspondantes sont conservées chez le constructeur.

Cet appareil numérique de classe A respecte toutes les exigences du Règlement sur le matériel brouilleur du Canada.

Cet appareil numérique de classe A répond à toutes les exigences de la réglementation canadienne sur les équipements provoquant des interférences.

FCC part 15, limites de classe A :

Les données d'essai correspondantes sont conservées chez le constructeur. L'appareil est conforme à la partie 15 de la réglementation FCC. Le fonctionnement est soumis aux conditions suivantes :

1. Cet équipement ne peut pas causer d'interférence nuisible.
2. Cet équipement doit accepter toutes les interférences reçues, y compris celles qui pourraient entraîner un fonctionnement inattendu.

Les modifications de cet équipement qui n'ont pas été expressément approuvées par le responsable de la conformité aux limites pourraient annuler l'autorité dont l'utilisateur dispose pour utiliser cet équipement. Cet équipement a été testé et déclaré conforme aux limites définies pour les appareils numériques de classe A, conformément à la section 15 de la réglementation FCC. Ces limites ont pour but de fournir une protection raisonnable contre les interférences néfastes lorsque l'équipement fonctionne dans un environnement commercial. Cet équipement génère, utilise et peut irradier l'énergie des fréquences radio et, s'il n'est pas installé ou utilisé conformément au mode d'emploi, il peut entraîner des interférences dangereuses pour les communications radio. Le fonctionnement de cet équipement dans une zone résidentielle risque de causer des interférences nuisibles, dans ce cas l'utilisateur doit corriger les interférences à ses frais. Les techniques ci-dessous peuvent permettre de réduire les problèmes d'interférences :

1. Débrancher l'équipement de la prise de courant pour vérifier s'il est ou non la source des perturbations
2. Si l'équipement est branché sur le même circuit de prises que l'appareil qui subit des interférences, branchez l'équipement sur un circuit différent.
3. Éloigner l'équipement du dispositif qui reçoit l'interférence.

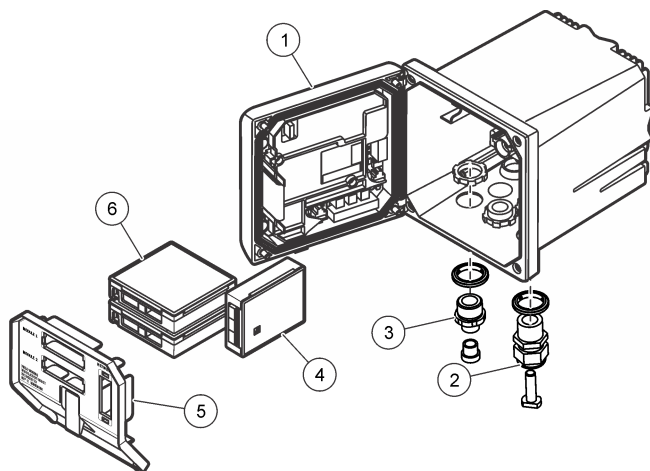
4. Repositionner l'antenne de réception du périphérique qui reçoit les interférences.
5. Essayer plusieurs des techniques ci-dessus à la fois.

Aperçu général du produit

Le contrôleur affiche des mesures de capteur et d'autres données, peut transmettre des signaux numériques et analogiques, interagir avec d'autres appareils via les sorties et les relais et les contrôler. Les sorties, relais, capteurs et modules de capteur sont configurés et étalonnés via l'interface utilisateur située à l'avant du contrôleur.

La **Figure 1** représente les composants du produit. Les composants peuvent varier selon la configuration du contrôleur. Contactez le fabricant si des pièces sont endommagées ou manquantes.

Figure 1 Composants du système



1 Contrôleur	4 Module de réseau (en option)
2 Assemblage du serre-câble (en option, selon la version du contrôleur)	5 Écran de protection haute tension
3 Raccordement numérique à branchement rapide (en option, selon la version du contrôleur)	6 Modules de capteur (en option)

Capteurs et modules de capteur

Le transmetteur accepte un maximum de deux modules de capteur ou de deux capteurs numériques (selon la configuration du contrôleur), ainsi que d'un module de communication. Un unique capteur numérique et un unique module de capteur peuvent être installés conjointement à ces instruments. Plusieurs capteurs peuvent être connectés aux modules de capteur. Vous trouverez des informations sur le câblage des capteurs dans les manuels des capteurs et dans les instructions utilisateur des modules spécifiques.

Relais, sorties et signaux

Le transmetteur dispose de quatre contacteurs-relais configurables et de deux sorties analogiques. Un module de sortie analogique en option vous offre jusqu'à cinq sorties analogiques.

Recherches d'appareils

À deux exceptions près, le transmetteur recherche automatiquement (sans intervention de votre part) les appareils connectés lorsqu'il est mis sous tension. La première exception correspond à la mise sous tension initiale du transmetteur, avant sa première utilisation. La seconde exception correspond au moment suivant le rétablissement des paramètres de configuration du transmetteur à leurs valeurs par défaut et la mise sous tension de ce dernier. Dans les deux cas, le transmetteur affiche d'abord les écrans de modification de la langue, de la date et de l'heure. Une fois que la langue, la

date et l'heure saisies sont acceptées, le transmetteur commence la recherche d'appareils. Reportez-vous à [Connexion d'un capteur sc numérique](#) à la page 101 pour plus d'instruction sur la manière de rechercher des appareils lorsque le transmetteur est déjà sous tension.

Boîtier du transmetteur

Le boîtier du transmetteur est certifié NEMA 4X/IP66 et doté d'une finition anticorrosive conçue de façon à résister aux constituants corrosifs environnementaux tels que la vapeur saline et le sulfure d'hydrogène. La protection contre les dommages environnementaux est fortement recommandée pour une utilisation en extérieur.

Remarque : Les unités disposant de la certification Underwriters Laboratories (UL) sont prévues pour une utilisation en intérieur uniquement et ne sont pas certifiées NEMA 4X/IP66.

Options de fixation du transmetteur

Le transmetteur peut être fixé sur un panneau, un mur ou encore un tuyau horizontal ou vertical. Un joint d'étanchéité en néoprène vous est fourni et peut être utilisé pour réduire les vibrations. Le joint peut être utilisé comme modèle lors de la fixation sur panneau, avant détachement du composant de joint interne.

Installation

Dimensions et composants de fixation

▲ ATTENTION

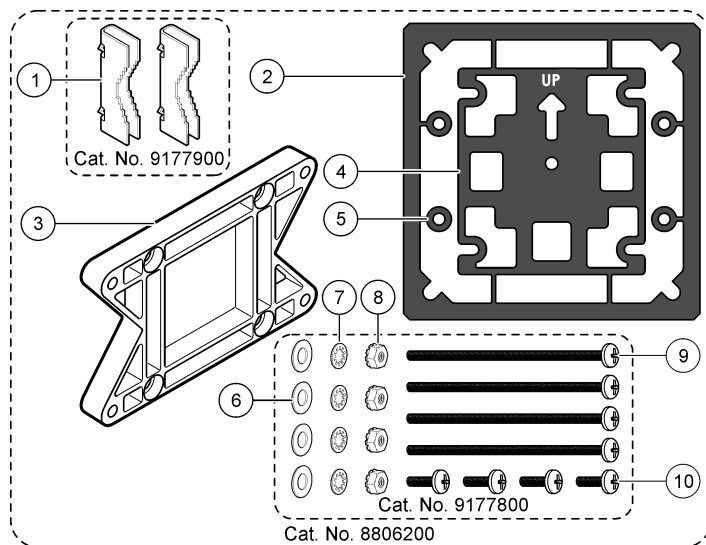
Risque de blessures corporelles Seul le personnel qualifié est autorisé à entreprendre les opérations décrites dans cette section du manuel.

Le contrôleur peut être fixé sur un panneau, un mur ou un tuyau (horizontal ou vertical). Pour les options et les instructions de fixation, reportez-vous aux [Figure 2](#), [Figure 3](#) à la page 89, [Figure 4](#) à la page 90, [Figure 5](#) à la page 91 et [Figure 6](#) à la page 92.

Pour une fixation sur un tuyau horizontal, monter les pieds de fixation ([Figure 2](#)) en position verticale sur le support de fixation.

Pour une fixation sur un tuyau horizontal ou vertical, montez le support de fixation sur le contrôleur comme indiqué à la [Figure 5](#) à la page 91.

Figure 2 Composants de fixation



1 Étrier de fixation (x 2)	6 Rondelle plate, DI 6,35 mm (0,25 in) (x 4)
2 Joint d'étanchéité en néoprène pour fixation murale	7 Rondelle frein, DI 6,35 mm (0,25 in) (x 4)
3 Support pour fixation murale et fixation sur tuyau	8 Écrou hexagonal à rondelle dentée M5 x 0,8
4 Joint antivibration pour fixation sur tuyau	9 Vis à tête cylindrique bombée, M5 x 0,8 x 100 mm (x 4) (utilisée pour la fixation sur tuyaux de diamètres variables)
5 Rondelle antivibration pour fixation sur tuyau (x 4)	10 Vis à tête cylindrique bombée M5 x 0,8 x 15 mm (x 4)

Remarque : Un support de fixation sur panneau est disponible en option.

Fixation du contrôleur

Figure 3 Dimensions de fixation murale

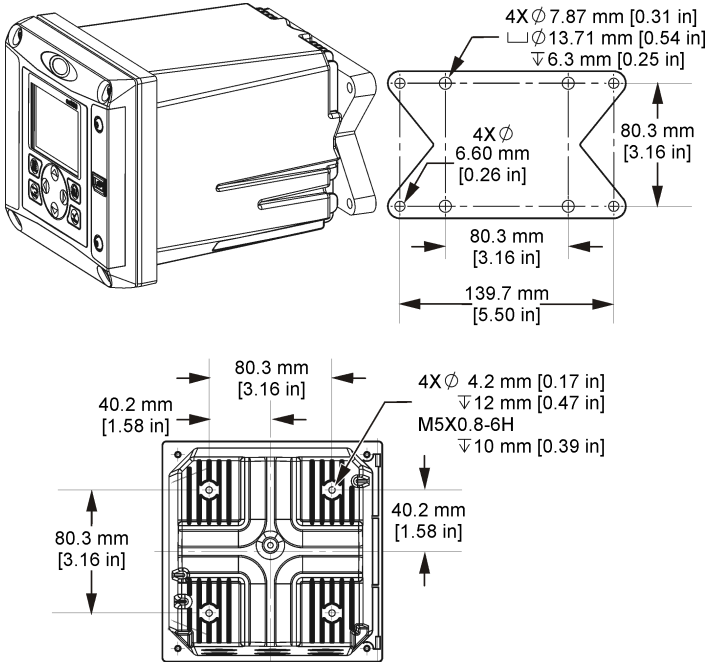
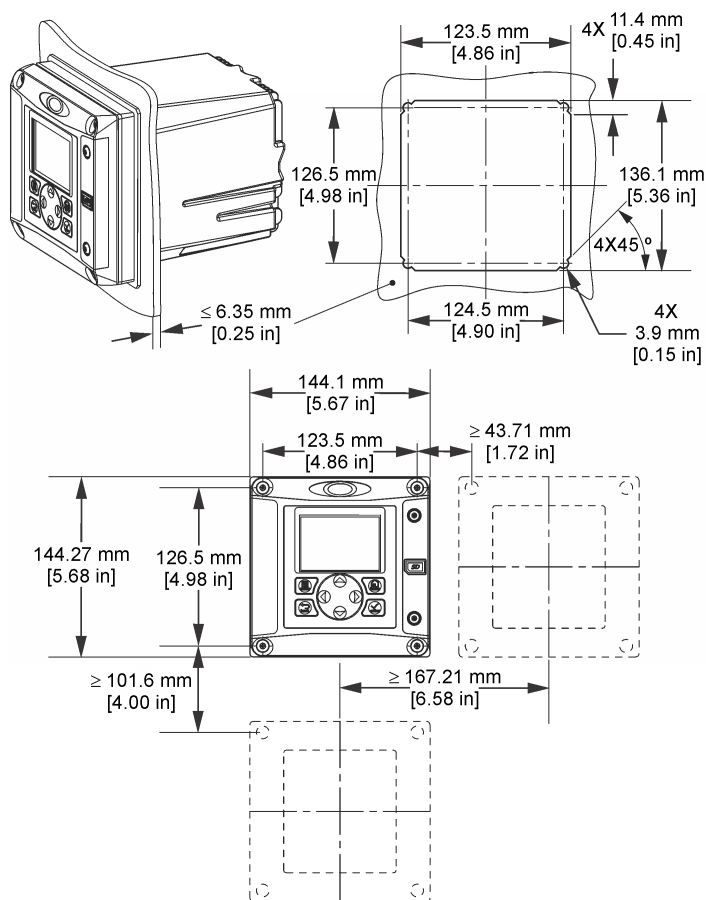


Figure 4 Dimensions de fixation sur panneau



Remarque : En cas d'utilisation du support (optionnel) de fixation sur panneau, faites entrer le transmetteur dans l'orifice du panneau, puis glissez le support par-dessus le transmetteur à l'arrière du panneau. Utilisez les quatre vis à tête cylindrique bombée de 15 mm (fournies) pour fixer le support au transmetteur et monter le transmetteur sur le panneau.

Figure 5 Fixation sur tuyau (tuyau vertical)

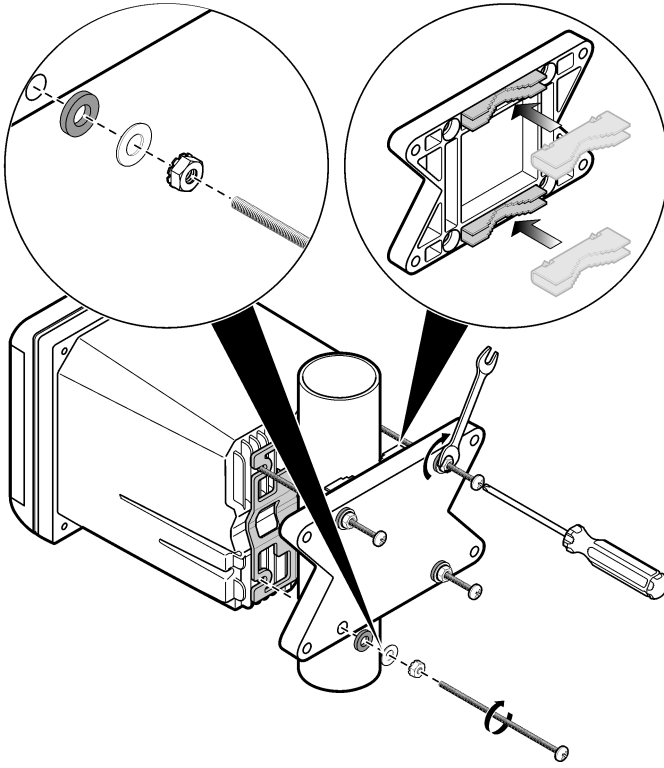
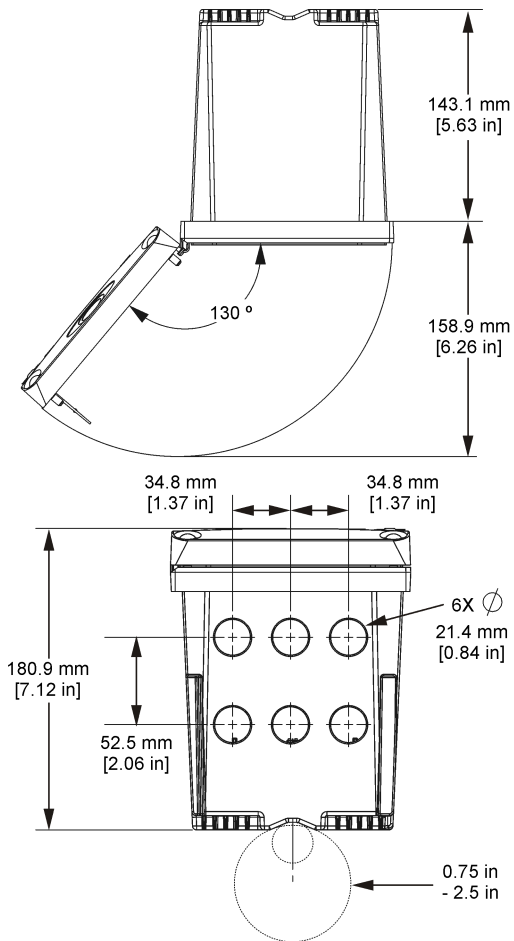


Figure 6 Vues de dessus et de dessous



Écran de protection haute tension

Les câbles haute tension du contrôleur sont situés derrière l'écran de protection haute tension, dans le boîtier du contrôleur. Cet écran doit rester en place, sauf lors de l'installation de modules ou l'installation par un technicien qualifié du câblage d'alimentation, d'alarmes, de sorties ou de relais. Ne retirez pas l'écran lorsque le contrôleur est sous tension.

Remarques relatives aux décharges électrostatiques

AVIS



Dégât potentiel sur l'appareil Les composants électroniques internes de l'appareil peuvent être endommagés par l'électricité statique, qui risque d'altérer ses performances et son fonctionnement.

Reportez-vous aux étapes décrites dans cette procédure pour éviter d'endommager l'appareil par des décharges électrostatiques.

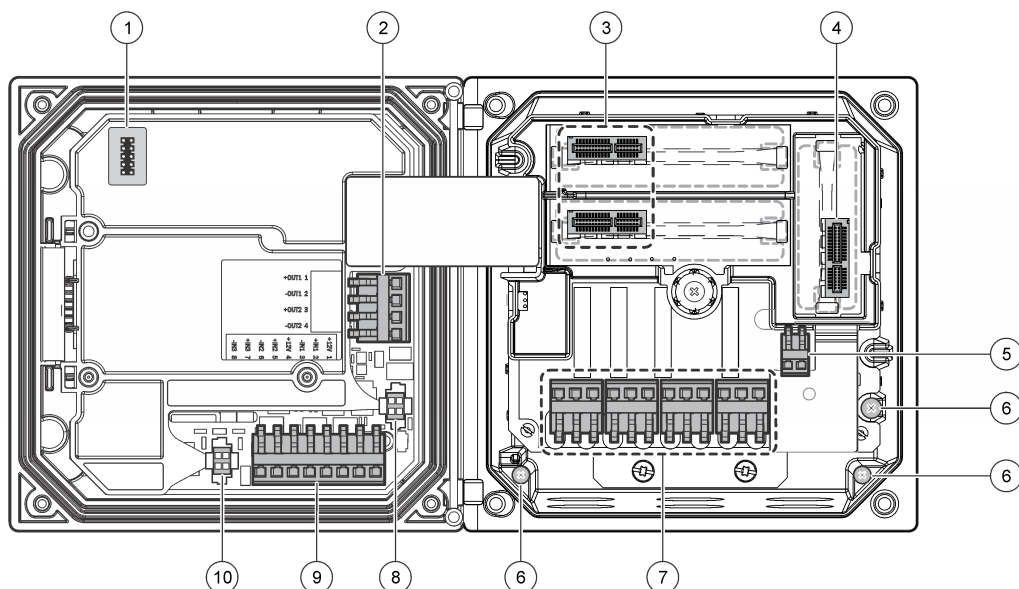
- Touchez une surface métallique reliée à la terre (par exemple, le châssis d'un appareil, un conduit ou un tuyau métallique) pour décharger l'électricité statique de votre corps.
- Evitez tout mouvement excessif. Transportez les composants sensibles à l'électricité statique dans des conteneurs ou des emballages antistatiques.
- Portez un bracelet spécial relié à la terre par un fil.
- Travaillez dans une zone à protection antistatique avec des tapis de sol et des sous-mains antistatiques.

Présentation du câblage

La [Figure 7](#) illustre le branchement des câbles dans le contrôleur lorsque l'écran de protection haute tension est retiré. Le côté gauche de la figure représente l'arrière de la façade du contrôleur.

Remarque : Retirez les obtrateurs des connecteurs avant installation des modules.

Figure 7 Présentation des connexions pour câblage



1 Connexion de service	5 Connecteur d'alimentation CA et CC ¹	9 Connecteur du câblage d'entrée distincte ¹
2 Sortie 4-20 mA ¹	6 Cosses de masse	10 Connecteur de capteur numérique ¹
3 Connecteur de module de capteur	7 Connexions de relais ¹	
4 Connecteur de module de communication (par exemple, Modbus, Profibus, HART ou module 4-20 mA en option)	8 Connecteur de capteur numérique ¹	

¹ Les cosses peuvent être retirées pour un accès plus facile.

Câblage pour l'alimentation

⚠ AVERTISSEMENT



Risque potentiel d'électrocution Coupez systématiquement l'alimentation de l'appareil lors de branchements électriques.

⚠ AVERTISSEMENT



Risque potentiel d'électrocution Si cet équipement est utilisé à l'extérieur ou dans des lieux potentiellement humides, un dispositif de **disjoncteur de fuite à la terre** doit être utilisé pour le branchement de l'équipement à sa source d'alimentation secteur.

⚠ DANGER



Risque d'électrocution Ne branchez pas l'alimentation secteur sur un modèle alimenté en 24 VCC.

⚠ AVERTISSEMENT



Risque potentiel d'électrocution Le branchement à la terre de protection (PE) est obligatoire pour les applications de câblage 100-240 VCA et 24 VCC. L'absence d'un bon branchement à la terre (PE) peut conduire à un risque de choc électrique et à des mauvaises performances suite aux interférences électromagnétiques. Raccordez TOUJOURS la borne du transmetteur à un bon branchement à la terre.

AVIS

Installez l'appareil dans un emplacement et une position permettant d'accéder facilement à l'appareil débranché et à son fonctionnement.

Deux modèles de contrôleur sont disponibles : un modèle alimenté en courant alternatif de 100-240 V et un modèle alimenté en courant continu de 24 V. Suivez les instructions de câblage correspondant au modèle acheté.

Le contrôleur peut être connecté à l'alimentation électrique par passage des câbles dans un conduit ou par connexion à un cordon d'alimentation. Quel que soit le câble utilisé, les connexions sont effectuées au niveau des mêmes bornes. Un sectionneur local se conformant au code électrique local est exigé et doit être utilisé pour tous les types d'installation. Dans les applications câblées, la section des points de raccordement de l'alimentation et de la prise de terre de sécurité pour l'appareil doit être comprise entre 18 et 12 AWG (0,8 mm² et 3,3 mm²)

Notes :

- Retirer l'écran de protection haute tension avant de réaliser des branchements électriques. Après avoir effectué tous les branchements, remplacez l'écran de protection haute tension avant de fermer la façade du contrôleur.
- Un protecteur de cordon étanche et un cordon d'alimentation d'une longueur inférieure à 3 m (10 ft) avec trois conducteurs de calibre 18 (comprenant le câble de mise à la terre) peut être utilisé afin d'assurer la classification environnementale définie par la NEMA 4X/IP66.
- Vous pouvez commander des contrôleurs dont les cordons d'alimentation pour courant alternatif sont déjà installés. Vous pouvez également commander des cordons d'alimentation supplémentaires.
- La source d'alimentation continue du contrôleur alimenté par un courant continu de 24 V doit maintenir la régulation de tension dans les limites de tension spécifiées, à savoir 24 VCC -15 % +20 %. La source d'alimentation continue doit également offrir une protection appropriée contre les surcharges et les perturbations de courant.

Procédure de câblage

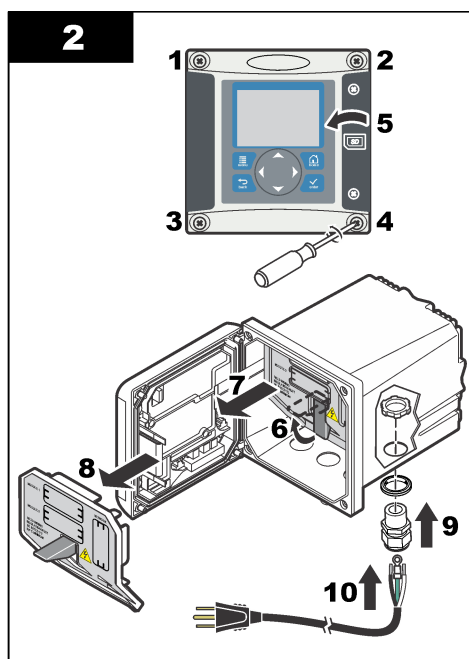
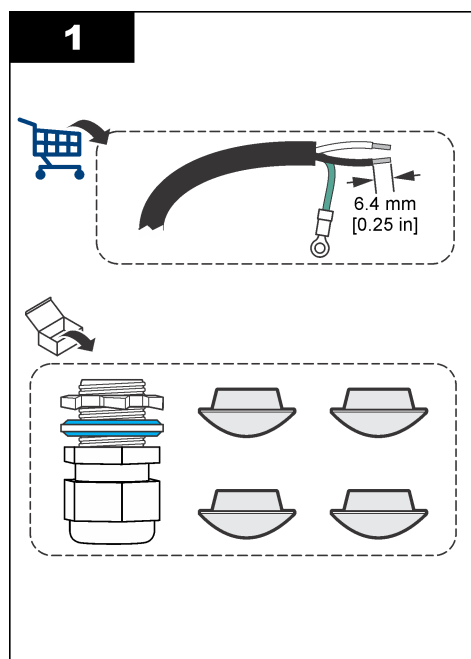
Reportez-vous aux étapes illustrées ci-dessous et à [Tableau 1](#) ou [Tableau 2](#) pour connecter le transmetteur à l'alimentation. Insérez chaque câble dans la borne correspondante jusqu'à ce que l'isolant touche le connecteur, de sorte à ne laisser aucune partie dénudée visible. Tirez légèrement après l'insertion afin de vérifier que le branchement a été bien effectué. Sceller toutes les ouvertures non utilisées dans la boîte du contrôleur avec des obturateurs pour conduit.

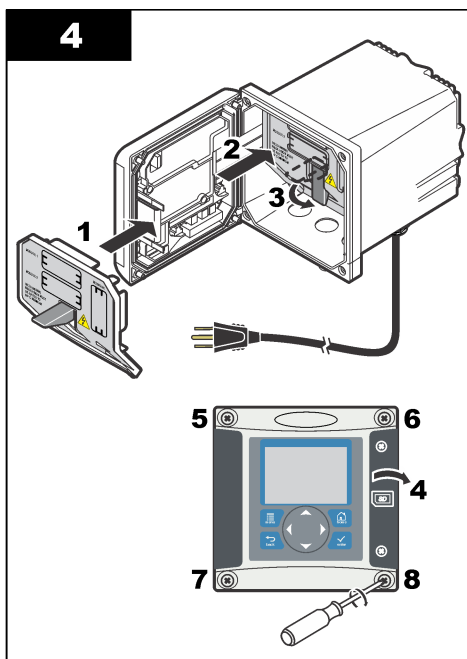
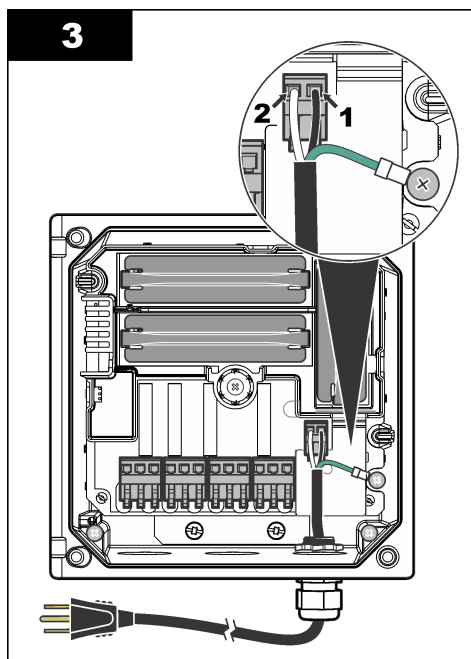
Tableau 1 Informations relatives au câblage pour un branchement à une alimentation en courant alternatif (uniquement pour les modèles alimentés en courant alternatif)

Borne	Désignation	Couleur (Amérique du Nord)	Couleur (UE)
1	Chaud (L1)	Noir	Marron
2	Neutre (N)	Blanc	Bleu
—	Cosse du fil de masse à la terre	Vert	Vert avec des bandes jaunes

Tableau 2 Informations relatives au câblage pour un branchement à une alimentation en courant continu (uniquement pour les modèles alimentés en courant continu)

Borne	Désignation	Couleur (Amérique du Nord)	Couleur (UE)
1	+24 VCC	Rouge	Rouge
2	24 VCC retour	Noir	Noir
—	Cosse du fil de masse à la terre	Vert	Vert avec des bandes jaunes





Alarmes et relais

Le contrôleur est équipé de quatre relais unipolaires autonomes de tension nominale 100-250 VCA, 50/60 Hz, courant résistif de 5 ampères maximum. Les contacts présentent une tension nominale de 250 VCA et un courant résistif maximal de 5 ampères pour le contrôleur alimenté en courant alternatif, et une tension nominale de 24 VCC et un courant résistif maximal de 5 ampères pour le contrôleur alimenté en courant continu. Les relais ne présentent aucune valeur nominale pour les charges inductives.

Câblage des relais

⚠ AVERTISSEMENT



Risque potentiel d'électrocution Coupez systématiquement l'alimentation de l'appareil lors de branchements électriques.

⚠ AVERTISSEMENT



Risque d'incendie potentiel Les contacts de relais ont une valeur nominale de 5 A et ne contiennent pas de fusible. Les charges externes connectées aux relais doivent être pourvues de dispositifs limiteurs de courant < 5 A.

⚠ AVERTISSEMENT



Risque d'incendie potentiel Ne raccordez pas en guirlande les connexions relais standard ou le câble volant à partir de la connexion secteur située dans l'appareil.

⚠ AVERTISSEMENT



Risque potentiel d'électrocution Afin que les caractéristiques nominales du boîtier restent conformes aux normes environnementales NEMA/IP, n'utilisez, pour acheminer les câbles vers l'intérieur de l'appareil, que des raccords de conduit et des passe-câbles dont la valeur nominale correspond au moins à la valeur NEMA 4X/IP66.

Contrôleurs alimentés en courant alternatif (100-250 V)

Le compartiment de câblage n'est pas conçu pour un raccordement à une alimentation supérieure à 250 VCA.

Contrôleurs alimentés en 24 VCC

⚠ AVERTISSEMENT



Risque potentiel d'électrocution. Les transmetteurs alimentés sur secteur en courant alternatif (115 V - 230 V) sont conçus pour un raccordement de type relais à des circuits en courant alternatif (tension inférieure à une tension efficace de 16 V, à une tension de crête de 22,6 V ou à une tension en courant continu de 35 V).

⚠ AVERTISSEMENT



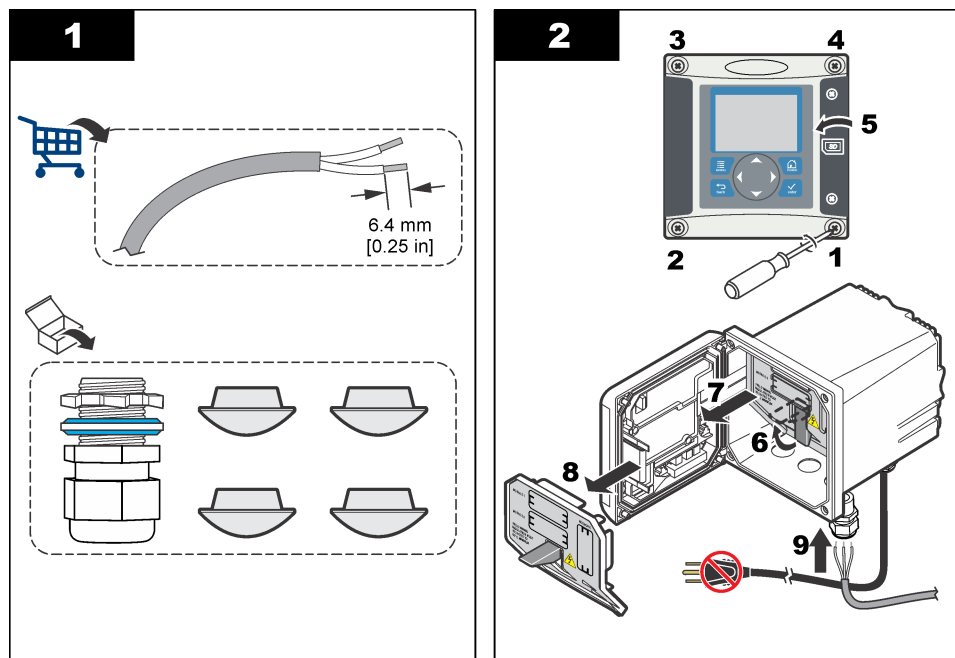
Risque potentiel d'électrocution. Les transmetteurs alimentés en 24 V sont conçus pour un raccordement de type relais à des circuits basse tension (tension inférieure à une tension efficace de 16 V, à une tension de crête de 22,6 V ou à une tension en courant continu de 35 V).

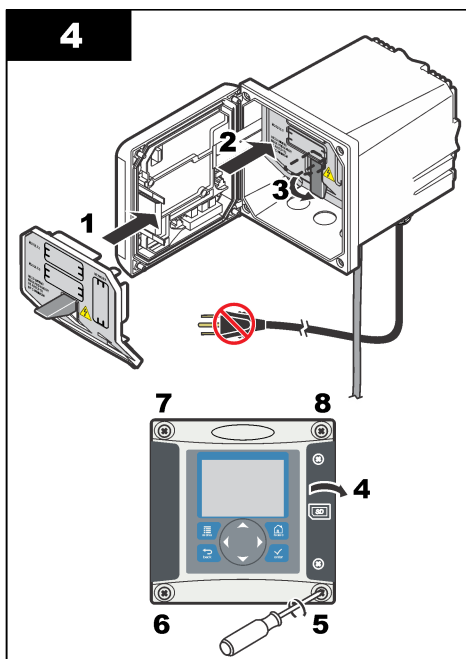
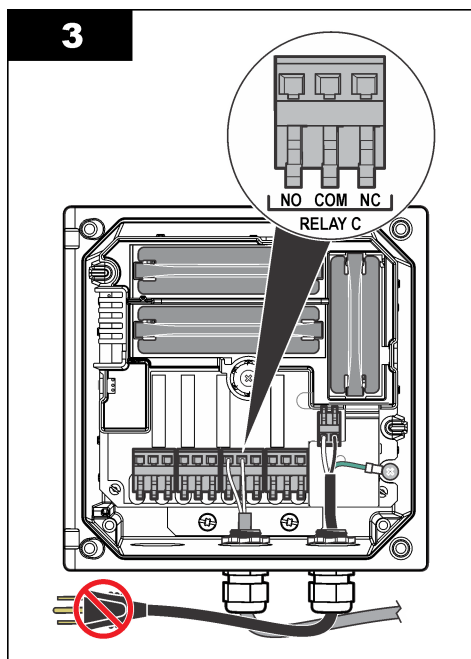
Les relais du transmetteur 24 VCC sont conçus pour un raccordement à des circuits basse tension (tension inférieure à une tension efficace de 30 V, à une tension de crête de 42,2 V ou à une tension en courant continu de 60 V). Le compartiment de câblage n'est pas conçu pour un raccordement à une alimentation supérieure à ces niveaux.

Le connecteur de relais admet le câble de 18 à 12 AWG. (comme l'indique l'application de charge). Il est déconseillé d'utiliser des fils de calibre inférieur à 18 AWG.

Les contacts de relais NO (Normally Open, normalement ouverts) et Com (Common, communs) sont reliés en cas d'alarme ou d'autre situation. Connecter les contacts de relais normalement fermés (NF) et communs (COM) si une alarme ou une autre condition est inactive (à moins que la sécurité intégrée soit activée) ou si le contrôleur est mis hors tension.

La plupart des connexions réseau utilisent soit les bornes NO et COM, soit les bornes NF et COM. Suivez les étapes d'installation numérotées pour connecter les bornes NO et COM.





Connexions de sortie analogique

⚠ AVERTISSEMENT



Risque potentiel d'électrocution Coupez systématiquement l'alimentation de l'appareil lors de branchements électriques.

⚠ AVERTISSEMENT



Risque potentiel d'électrocution Afin que les caractéristiques nominales du boîtier restent conformes aux normes environnementales NEMA/IP, n'utilisez, pour acheminer les câbles vers l'intérieur de l'appareil, que des raccords de conduit et des passe-câbles dont la valeur nominale correspond au moins à la valeur NEMA 4X/IP66.

Deux sorties analogiques isolées (1 et 2) sont prévues (Figure 8). Ce type de sortie est généralement utilisé pour la transmission des signaux de mesure ou pour le contrôle d'autres appareils externes.

Connectez les câbles au contrôleur de la façon indiquée dans les Figure 8 et Tableau 3.

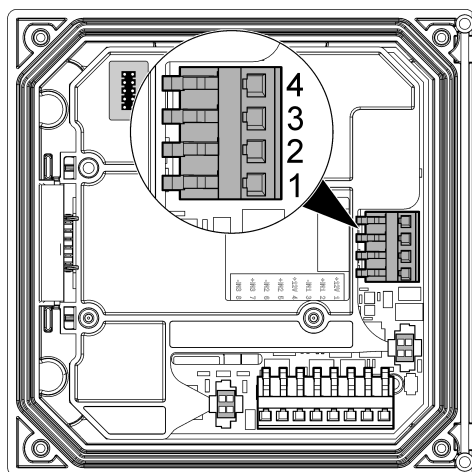
Remarque : Figure 8 représente l'arrière de la façade du contrôleur et non l'intérieur du compartiment principal de ce dernier.

Tableau 3 Connexions de sortie

Câbles d'enregistreur	Position des cartes de circuits imprimés
Sortie 2-	4
Sortie 2+	3
Sortie 1-	2
Sortie 1+	1

1. Ouvrez la façade du contrôleur.
2. Faites passer les câbles par le serre-câble.
3. Revoyez la position des câbles si nécessaire et serrez le serre-câble.
4. Effectuez les connexions avec le fil blindé torsadé et reliez le blindage à l'extrémité du composant contrôlé ou à l'extrémité de la boucle de contrôle.
 - Ne pas connecter le blindage aux deux extrémités du câble.
 - L'utilisation d'un câble non blindé peut résulter en l'émission de fréquences radio ou en des niveaux de susceptibilité plus élevés que permis.
 - La résistance de boucle maximale est de 500 ohms.
5. Fermez la façade du contrôleur et serrez-en les vis.
6. Configurez les sorties dans le contrôleur.

Figure 8 Connexions de sortie analogique



Branchements des câbles d'entrée discrète

▲ AVERTISSEMENT



Risque potentiel d'électrocution Coupez systématiquement l'alimentation de l'appareil lors de branchements électriques.

▲ AVERTISSEMENT



Risque potentiel d'électrocution Afin que les caractéristiques nominales du boîtier restent conformes aux normes environnementales NEMA/IP, n'utilisez, pour acheminer les câbles vers l'intérieur de l'appareil, que des raccords de conduit et des passe-câbles dont la valeur nominale correspond au moins à la valeur NEMA 4X/IP66.

Trois entrées discrètes sont disponibles pour les entrées de fermeture d'interrupteur ou les entrées de tension de niveau logique. Effectuez les branchements au transmetteur et configurez les paramètres du cavalier comme indiqué dans la [Figure 9](#), le [Tableau 4](#) et la [Figure 10](#).

Remarque : La [Figure 9](#) représente l'arrière de la façade du contrôleur et non l'intérieur du compartiment principal de ce dernier.

Figure 9 Branchements des câbles d'entrée discrète

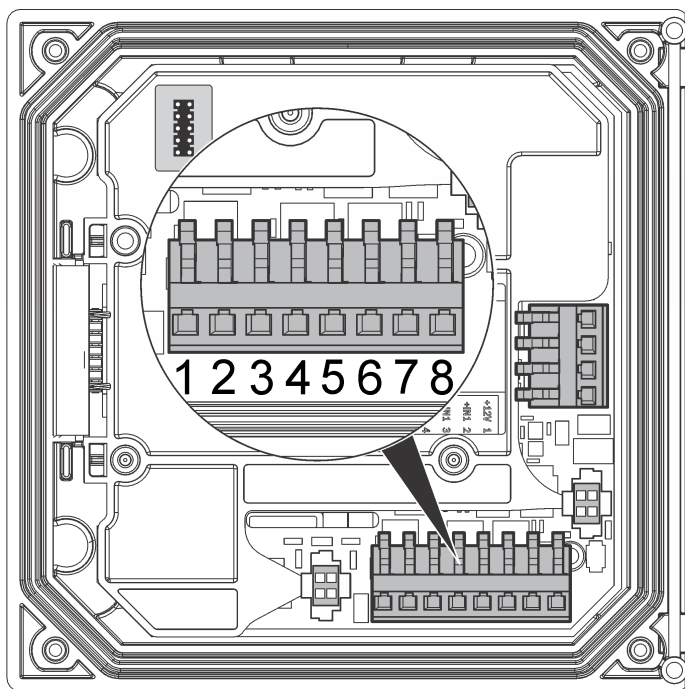
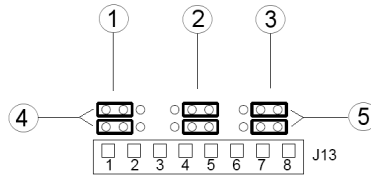


Tableau 4 Branchements d'entrée

Entrées discrètes	Position du connecteur - entrée d'interrupteur	Position du connecteur - entrée de tension
Entrée 1+	3	2
Entrée 1-	2	3
Entrée 2+	6	5
Entrée 2-	5	6
Entrée 3+	8	7
Entrée 3-	7	8

Figure 10 Paramètres du cavalier



1 Cavaliers de configuration de l'entrée 1	4 Cavaliers positionnés à gauche pour les entrées d'interrupteur
2 Cavaliers de configuration de l'entrée 2	5 Cavaliers positionnés à droite pour les entrées de tension
3 Cavaliers de configuration de l'entrée 3	

- Ouvrez la façade du transmetteur.
- Insérez les câbles dans la goupille de câble.
- Réglez le câble si nécessaire et serrez la goupille de câble.
- Les cavaliers se trouvent directement derrière le connecteur. Retirez le connecteur pour un accès plus facile aux cavaliers et configurez les paramètres du cavalier en fonction du type d'entrée, comme indiqué sur la [Figure 10](#).
- Fermez la façade du contrôleur et serrez-en les vis.
- Configurez les entrées dans le transmetteur.

Remarque : En mode **entrée d'interrupteur**, le transmetteur fournit 12 V à l'interrupteur et n'est pas isolé du transmetteur. En mode **entrée de tension**, les entrées sont isolées du transmetteur (tension d'entrée de l'utilisateur de 0 à 30 V).

Connexion d'un capteur sc numérique

Remarque : Pour connecter un capteur analogique, reportez-vous aux instructions fournies dans le manuel du module ou du capteur.

Un capteur sc numérique peut être connecté au contrôleur à l'aide du raccordement à branchement rapide ([Figure 11](#)). Un capteur numérique peut être connecté au contrôleur que ce dernier soit allumé ou non.

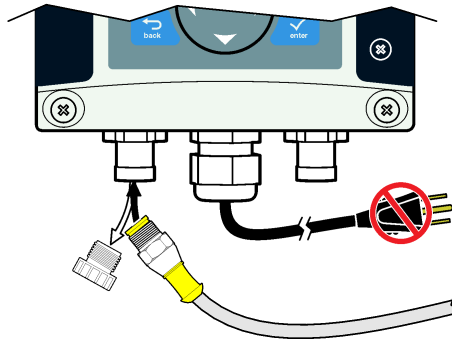
Lorsqu'un capteur est connecté alors que le contrôleur est allumé, ce dernier n'effectue pas automatiquement une recherche d'appareils. Pour que le contrôleur effectue une recherche d'appareils, accédez au menu Test/Maintenance et sélectionnez Recherche d'appareils. Si un nouvel appareil est détecté, le contrôleur procède à l'installation sans aucune intervention de votre part.

Lorsqu'un capteur est connecté alors que le contrôleur est éteint, ce dernier procède à une recherche d'appareils une fois rallumé. Si un nouvel appareil est détecté, le contrôleur procède à l'installation sans aucune intervention de votre part.

Conservez le bouchon du connecteur pour en sceller l'ouverture au cas où le capteur devrait être enlevé.

Figure 11 Connexion rapide du capteur numérique

1.



Connexion de la sortie de communication numérique en option

Le contrôleur prend en charge les protocoles de communication Modbus RS485, Modbus RS232, Profibus DPV1 et HART. Le module de sortie numérique en option est installé à l'endroit indiqué par le numéro 4 [Figure 7](#) à la page 93 Reportez-vous aux instructions fournies avec le module de réseau pour plus d'informations.

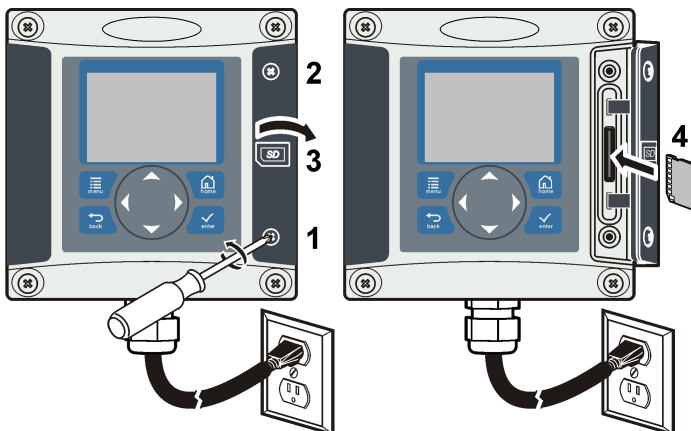
Pour plus d'informations sur les registres Modbus, rendez-vous sur <http://www.hach-lange.com> ou <http://www.hach.com> et lancez une recherche pour *registres Modbus* ou consultez n'importe quelle page produit sc200.

Installation d'une carte mémoire (SD)

Pour obtenir des instructions sur la procédure d'installation d'une carte SD sur le transmetteur, reportez-vous à [Figure 12](#). Des informations sur l'utilisation de la carte SD sont disponibles dans la version développée de ce manuel.

Pour retirer une carte SD, appuyez sur le bord de la carte, puis relâchez la pression. Tirez la carte vers le haut pour la sortir de la fente. Une fois la carte retirée, fermez le capot recouvrant la fente et serrez-en les vis.

Figure 12 Installation de la carte SD

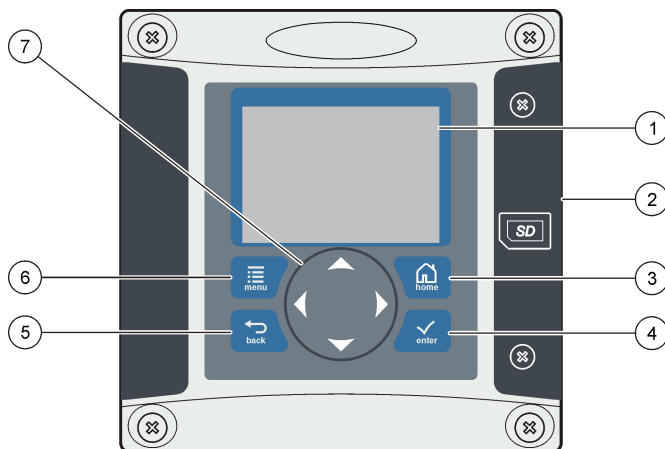


Interface utilisateur et navigation

Interface utilisateur

Le clavier comporte quatre touches de menu et quatre touches directionnelles (voir [Figure 13](#)).

Figure 13 Présentation du clavier et du panneau avant



1 Afficheur de l'instrument	5 Touche BACK (Retour). Remonte d'un niveau dans la structure du menu.
2 Capot recouvrant la fente d'insertion de la carte SD	6 Touche MENU . Permet d'accéder au menu Paramètres à partir des écrans et des sous-menus.
3 Touche HOME (Accueil). Permet d'accéder à l'écran de mesure principal à partir d'autres écrans ou sous-menus.	7 Touches directionnelles. Utilisées pour accéder aux menus, modifier des paramètres et incrémenter ou décrémenter des chiffres.
4 Touche ENTER (Entrée). Permet de valider les valeurs saisies, les mises à jour ou les options de menu affichées.	

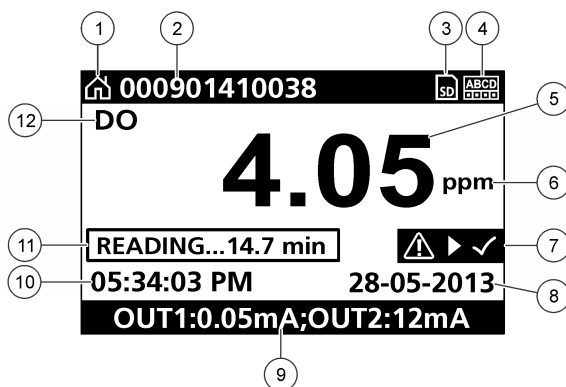
Les entrées et les sorties sont configurées via la face avant à l'aide du clavier et de l'écran d'affichage. Cette interface utilisateur est utilisée pour configurer les entrées et les sorties, consigner les informations et les valeurs calculées et étalonner les capteurs. L'interface SD peut être utilisée pour transférer des enregistrements et mettre à jour des logiciels.

Afficheur

La [Figure 14](#) présente l'écran de mesure principal lorsqu'un capteur d'oxygène dissous est connecté au transmetteur.

L'écran du panneau avant comporte notamment les données de mesure du capteur, les paramètres d'étalonnage et de configuration, les erreurs et les avertissements.

Figure 14 Exemple d'écran de mesure principal



1 Icône de l'écran d'accueil	7 Barre d'état d'avertissement
2 Repère du capteur	8 Date
3 Icône de la carte mémoire SD	9 Valeurs de sortie analogique
4 Voyant d'état du relais	10 Heure
5 Valeur de mesure	11 Barre de progression
6 Unité de mesure	12 Paramètre de mesure

Tableau 5 Description des icônes

Icône	Description
Ecran d'accueil	L'icône peut varier selon l'écran ou le menu affiché. Par exemple, si une carte SD est installée, une icône de carte SD apparaît ici lorsque l'utilisateur est dans le menu Configuration carte SD.
Carte mémoire SD	L'icône apparaît seulement si une carte SD est dans le lecteur. Lorsqu'un utilisateur se trouve dans le menu Configuration carte SD, cette icône apparaît dans l'angle supérieur gauche de l'écran.
Avertissement	Une icône d'avertissement se présente sous la forme d'un triangle comprenant un point d'exclamation. Des icônes d'avertissement apparaissent à droite de l'affichage principal, en dessous de la valeur de mesure. Appuyez sur la touche ENTER (Entrée), puis sélectionnez l'appareil pour afficher tous les problèmes associés à cet appareil. L'icône d'avertissement ne s'affiche plus lorsque tous les problèmes sont corrigés ou consultés.
Erreur	Une icône d'erreur se présente sous la forme d'un cercle contenant un point d'exclamation. Lorsqu'une erreur se produit, l'icône d'erreur et l'écran de mesure clignotent tour à tour dans l'affichage principal. Pour consulter les erreurs, appuyez sur la touche MENU et sélectionnez Diagnostics . Sélectionnez ensuite l'appareil pour consulter les problèmes associés à cet appareil, le cas échéant.

Formats d'affichage supplémentaires

- A partir de l'écran de mesure principal, appuyez sur les touches fléchées **HAUT** et **BAS** pour alterner entre les paramètres de mesure.
- A partir de l'écran de mesure principal, appuyez sur la touche fléchée **DROITE** pour passer à un affichage partagé contenant un maximum de 4 paramètres de mesure. Appuyez sur la touche fléchée **DROITE** pour inclure des mesures supplémentaires. Appuyez sur la touche fléchée **GAUCHE** au besoin pour revenir à l'écran de mesure principal.
- A partir de l'écran de mesure principal, appuyez sur la touche fléchée **GAUCHE** pour passer à l'interface graphique (voir la section [Interface graphique](#) à la page 105 pour définir les

paramètres). Appuyez sur les touches fléchées **HAUT** et **BAS** pour alterner entre les graphiques de mesure.

Interface graphique

Le graphique montre les mesures de concentration et de température pour chaque canal utilisé. Le graphique facilite la surveillance des tendances et affiche les modifications relatives au traitement.

1. A partir de l'écran d'interface graphique, utilisez les touches fléchées haut et bas pour sélectionner un graphique et appuyez sur le bouton **ACCUEIL**.
2. Sélectionner une option :

Option	Désignation
VALEUR DE MESURE	Permet de définir la valeur de mesure liée au canal sélectionné. Choisissez entre Echelle auto et Echelle manuelle. Pour la mise à l'échelle manuelle, saisissez les valeurs de mesure minimum et maximum
PLAGE DATE ET HEURE	Sélectionner la plage de date et d'heure parmi les options disponibles

Démarrage du système

Lorsque vous mettez le transmetteur sous tension pour la première fois, les écrans Langue, Format date et Date/Heure apparaissent successivement. Après configuration de ces options, le transmetteur effectue une recherche d'appareils et affiche le message **Recherche d'appareils. Patientez...** Si un nouvel appareil est détecté, le transmetteur procède à son installation avant d'afficher l'écran de mesure principal.

Si la recherche met au jour des appareils précédemment installés ne présentant aucune modification de configuration, l'écran de mesure principal de l'appareil placé en position un apparaît immédiatement à l'issue de la recherche.

Si un appareil a été retiré du transmetteur ou n'est pas détecté lors de la recherche suivante, lancée à partir du menu ou après mise hors tension puis sous tension du transmetteur, ce dernier affiche le message **Appareil manquant** et vous invite à supprimer l'appareil manquant.

Si aucun capteur n'est connecté à un module analogique installé, le transmetteur signale une erreur. Si les appareils sont connectés mais ne sont pas détectés par le transmetteur, reportez-vous à la section [Dépannage](#) à la page 107.

Réglage initial de la langue, de la date et de l'heure

Le transmetteur affiche les écrans de modification de la langue, de la date et de l'heure lorsque vous le mettez sous tension pour la première fois ou après avoir rétabli les valeurs par défaut des paramètres de configuration.

Après avoir défini la langue, la date et l'heure pour la première fois, vous pouvez, si nécessaire, mettre à jour les options via le menu Configuration sc200.

1. Dans l'écran Langue, cliquez sur une langue de la liste pour la mettre en surbrillance et appuyez sur la touche **ENTER** (Entrée). L'anglais est la langue par défaut du transmetteur. La langue sélectionnée est enregistrée. L'écran Format date apparaît.
2. Dans l'écran Format date, cliquez sur un format pour le mettre en surbrillance et appuyez sur la touche **ENTER** (Entrée). Le format de la date et de l'heure est enregistré. L'écran Date/Heure apparaît.
3. Dans l'écran Date/Heure, appuyez sur la touche fléchée **DROITE** ou **GAUCHE** pour mettre en surbrillance un champ, puis appuyez sur la touche fléchée **HAUT** ou **BAS** pour mettre à jour la valeur du champ. Mettez à jour les autres champs si nécessaire.
4. Appuyez sur la touche **ENTER** (Entrée). Les modifications sont enregistrées et le transmetteur effectue une recherche d'appareils identique à celle qu'il exécute au démarrage. Si des appareils connectés sont détectés, le transmetteur affiche l'écran de mesure principal correspondant à l'appareil placé en position un.

Si le transmetteur ne parvient pas à détecter les appareils connectés, reportez-vous à la section [Dépannage](#) à la page 107.

Informations relatives à la configuration du transmetteur

Les informations générales concernant les options de configuration sont répertoriées dans le tableau suivant.

1. Pour accéder aux options de menu, sélectionnez Configuration sc200 à partir du menu Paramètres.

Menu	Description
Configuration de sécurité	Définit les préférences de mot de passe.
Progr. sortie	Configure les sorties analogiques du transmetteur
Progr. relais	Configure les relais du transmetteur
Configuration de l'affichage	Configure l'affichage du transmetteur
Aj. date/heure	Définit l'heure et la date du transmetteur
Progr. datalog	Configure les options d'enregistrement des données. Disponible uniquement si l'option de calcul a été configurée.
Gestion des données	Sélectionnez l'appareil dans la liste des composants installés pour consulter les données ou le journal d'événements
Erreur mode maintenu	Sorties mémo : maintient les sorties à la dernière valeur connue lorsque le transmetteur perd la communication avec le capteur. Sorties transfert : active le mode de transfert lorsque le transmetteur perd la communication avec le capteur. Sort le transfert avec une valeur prédéfinie.
Calcul	Configure la fonction mathématique du transmetteur
Information sc200	VER. LOG. : affiche la version actuelle du logiciel du transmetteur VERS chargeur : affiche la version actuelle du chargeur d'amorçage. Le chargeur d'amorçage est un fichier qui charge le système d'exploitation principal du transmetteur N°/S : indique le numéro de série du transmetteur Version : affiche la version actuelle du matériel du transmetteur
Configuration de l'entrée discrète	Configure trois canaux d'entrée discrète
Langue	Attribue la langue utilisée dans le transmetteur

2. Sélectionnez une option et appuyez sur **ENTER** (Entrée) pour l'activer.

Maintenance

▲ ATTENTION



Dangers multiples. Seul le personnel qualifié doit effectuer les tâches détaillées dans cette section du document.

Nettoyage du transmetteur

▲ DANGER



Coupez toujours l'alimentation du transmetteur avant de procéder à toute opération de maintenance.

Remarque : ne jamais utiliser de solvant corrosif ou inflammable pour nettoyer tout ou partie du transmetteur. L'utilisation de ce type de solvant risquerait d'endommager la protection de l'appareil contre l'environnement et est susceptible d'en annuler la garantie.

1. Assurez-vous que le couvercle du transmetteur est bien fermé.
2. Essuyez l'extérieur du transmetteur à l'aide d'un chiffon légèrement imprégné d'eau ou d'un mélange d'eau et de détergent doux.

Dépannage

Problème	Résolution
Aucun courant de sortie	Vérifiez la configuration du courant de sortie.
	Contrôlez le signal du courant de sortie à l'aide du sous-menu Test/Contrôle. Saisissez une valeur de courant et vérifiez le signal de sortie au niveau des connexions du transmetteur.
	Appeler l'Assistance technique.
Courant de sortie incorrect	Vérifiez la configuration du courant de sortie.
	Contrôlez le signal du courant de sortie à l'aide du sous-menu Test/Contrôle. Saisissez une valeur de courant et vérifiez le signal de sortie au niveau des connexions du transmetteur. Si le courant de sortie est incorrect, effectuez un réglage des sorties.
Aucune activation du relais	Assurez-vous que le relais est bien connecté.
	Si vous utilisez une source d'alimentation externe, vérifiez que le relais est bien câblé.
	Assurez-vous que le relais est bien configuré.
	Contrôlez l'activation du relais à l'aide du menu Test/Contrôle. Le relais doit s'activer et se désactiver à la demande.
	Vérifiez que le transmetteur n'est pas en mode d'étalonnage et que le relais n'est pas en attente.
Réinitialisez la temporisation de suralimentation pour vous assurer qu'elle n'a pas expiré.	
Carte mémoire SD non reconnue par le transmetteur	Assurez-vous que la carte SD est dans le bon sens. Les parties en cuivre doivent faire face à l'écran du transmetteur.
	Assurez-vous que la carte SD est insérée complètement dans la fente et que le dispositif de verrouillage à ressort est enclenché.
	Assurez-vous que la carte SD est formatée en FAT 32. Le format MMC n'est pas pris en charge. Suivez les instructions fournies par le fabricant de la carte pour formater la carte SD sur un PC.
	Assurez-vous que la capacité de la carte ne dépasse pas 32 Go.
	Assurez-vous que la carte utilisée est bien une carte SD. D'autres types de cartes (xSD, micro SD, mini SD, etc.) ne fonctionnent pas correctement.

Problème	Résolution
Échec de l'enregistrement ou problème lors de l'enregistrement des données sur la carte SD.	Assurez-vous que la carte SD est formatée en FAT 32. Le format MMC n'est pas pris en charge. Suivez les instructions fournies par le fabricant de la carte pour formater la carte SD sur un PC.
	Si la carte SD a déjà été utilisée, formatez-la en FAT 32, installez-la dans le transmetteur et essayez de télécharger des fichiers.
	Essayez une carte SD différente.
Carte SD pleine	Lisez la carte SD avec un PC ou tout autre dispositif de lecture de carte. Enregistrez les fichiers importants et supprimez une partie ou l'ensemble des fichiers de la carte SD.
Impossible pour le transmetteur de trouver les mises à jour logicielles sur la carte SD.	Assurez-vous qu'un dossier approprié est créé lorsque vous installez la carte SD dans le transmetteur. Un dossier de mise à jour est automatiquement créé.
	Installez la carte SD sur un PC et assurez-vous que les fichiers logiciels sont situés dans le bon dossier de mise à jour.
	Si la même carte SD est utilisée par plusieurs transmetteurs, un dossier distinct est créé dans le système pour chaque transmetteur. Assurez-vous que les mises à jour logicielles sont dans le dossier correspondant au transmetteur utilisé.
L'écran est allumé mais aucun caractère n'apparaît ou l'affichage est flou ou faible.	Régler le contraste écran
	Assurez-vous que le film de protection a été retiré de l'écran.
	Nettoyez la partie extérieure du transmetteur, y compris l'écran.
Échec de fonctionnement ou fonctionnement par intermittence du transmetteur	Assurez-vous que les branchements à l'alimentation CA sont bien effectués au niveau du transmetteur.
	Assurez-vous que les branchements au niveau de la multiprise, de l'alimentation électrique et de la prise murale sont tous bien effectués.
	Appeler l'Assistance technique
Module de réseau ou de capteur non reconnu	Assurez-vous que le module est correctement installé.
	Assurez-vous que le commutateur de sélection de modules est réglé sur le numéro approprié.
	Retirez le module de capteur et installez-le dans la seconde fente analogique. Mettez le transmetteur sous tension et laissez-le effectuer une recherche d'appareils.
	Appeler l'Assistance technique.

Problème	Résolution
<p>Capteur non reconnu</p> <p>Remarque : Exemple possible de message affiché : ****</p>	<p>Si le capteur est un capteur analogique et qu'un module correspondant soit installé dans le transmetteur, reportez-vous aux instructions fournies avec le module de réseau ou de capteur.</p>
	<p>Assurez-vous que le faisceau de câblage du connecteur numérique est fixé sur la partie intérieure de la porte et qu'il n'est pas endommagé.</p>
	<p>Si le capteur numérique est connecté au transmetteur avec un boîtier de terminaison numérique, un boîtier de dérivation utilisateur, des rallonges numériques ou une rallonge utilisateur, connectez le capteur directement au transmetteur et effectuez une recherche d'appareils. Si le transmetteur reconnaît le capteur, vérifiez que le raccordement des rallonges ou de l'ensemble des câblages des boîtiers de dérivation est bien effectué.</p>
	<p>Assurez-vous que seuls deux capteurs sont installés dans le transmetteur. Bien que deux ports de modules analogiques soient disponibles, si un capteur numérique et deux modules analogiques sont installés, seuls deux des trois appareils sont détectés par le transmetteur.</p>
	<p>Appeler l'Assistance technique</p>
<p>Apparition du message d'erreur Appareil manquant</p>	<p>Effectuez une recherche d'appareils à partir du menu Test/Contrôle.</p>
	<p>Éteignez puis rallumez le transmetteur.</p>

Tabla de contenidos

[Especificaciones](#) en la página 110

[Información general](#) en la página 111

[Instalación](#) en la página 114

[Interfaz del usuario y navegación](#) en la página 130

[Arranque del sistema](#) en la página 132

[Mantenimiento](#) en la página 133

[Solución de problemas](#) en la página 134

Información adicional

En el sitio web del fabricante encontrará información adicional.

Especificaciones

Las especificaciones están sujetas a cambios sin previo aviso.

Especificación	Detalles
Descripción del componente	Controlador gestionado por menús y controlado por un microprocesador que permite el funcionamiento del sensor y muestra los valores medidos.
Temperatura de funcionamiento	-20 - 60 °C (-4 - 140 °F); 95% de humedad relativa, sin condensación con carga del sensor inferior a 7 W; -20 - 50 °C (-4 - 104 °F) con carga del sensor inferior a 28 W
Temperatura de almacenamiento	-20 - 70 °C (-4 - 158 °F); 95% de humedad relativa, sin condensación
Carcasa ¹	Carcasa de metal NEMA 4X/IP66 con acabado resistente a la corrosión
Requisitos de alimentación	Controlador con alimentación CA: 100-240 VAC ± 10%, 50/60 Hz; alimentación de 50 VA con carga de módulo de red/sensor de 7 W, 100 VA con carga de módulo de red/sensor de 28 W (conexión de red opcional Modbus RS232/RS485, Profibus DPV1 o HART). Controlador con alimentación de 24 VDC: 24 VDC—15%, + 20%; alimentación de 15 V con carga de módulo de red/sensor de 7 W, 40 W con carga de módulo de red/sensor de 28 W (conexión de red opcional Modbus RS232/RS485, Profibus DPV1 o HART).
Requerimientos de altitud	Estándar de 2.000 m (6.562 pies) sobre el nivel del mar
Grado de contaminación/Categoría de instalación	Grado de polución 2; Categoría de instalación II
Salidas	Dos salidas analógicas (0-20 mA o 4-20 mA). Todas las salidas analógicas pueden asignarse para representar un parámetro medido, por ejemplo pH, temperatura, caudal o valores calculados. El módulo opcional proporciona tres salidas analógicas adicionales (5 en total).
Relés	Cuatro contactos SPDT configurados por el usuario, limitados a 250 VAC, 5A (carga resistiva) para el controlador de alimentación CA y a 24 VDC, 5 A (carga resistiva) con alimentación CC. Los relés están diseñados para la conexión a circuitos de alimentación CA (cuando el controlador funciona con alimentación 115 - 240 VAC) o circuitos CC (cuando el controlador funciona con alimentación 24 VDC).
Dimensiones	Según ½ DIN: 144 x 144 x 180,9 mm (5,7 x 5,7 x 7,12 pulg.)
Peso	1,7 kg (3,75 lb)

Especificación	Detalles
Información de conformidad ²	Aprobado por la CE (con todos los tipos de sensor). Incluido para su uso en ubicaciones generales conforme a los estándares de seguridad UL y CSA de ETL (con todos los tipos de sensor). Underwriters Laboratories admite determinados modelos con alimentación CA para uso en ubicaciones generales de seguridad según los estándares de seguridad de UL y CSA (con todos los tipos de sensor).
Comunicación digital	Conexión de red Modbus, RS232/RS485, Profibus DPV1 o HART opcional para la transmisión de datos
Registro de datos	Tarjeta Secure Digital (32 GB como máximo) o conector de cable RS232 especial para la conexión de datos y actualizaciones de software. El controlador conservará aproximadamente 20.000 entradas de datos por sensor.
Garantía	2 años

¹ Las unidades con certificación de Underwriters Laboratories (UL) están destinadas únicamente para su uso en interiores y no cuentan con la clasificación NEMA 4X/IP66.

² Las unidades con alimentación CC no se incluyen en el listado de los laboratorios UL.

Información general

En ningún caso el fabricante será responsable de ningún daño directo, indirecto, especial, accidental o resultante de un defecto u omisión en este manual. El fabricante se reserva el derecho a modificar este manual y los productos que describen en cualquier momento, sin aviso ni obligación. Las ediciones revisadas se encuentran en la página web del fabricante.

Información de seguridad

AVISO

El fabricante no es responsable de ningún daño debido a un mal uso de este producto incluyendo, sin limitación, daños directos, fortuitos o circunstanciales y reclamaciones sobre esos daños que no estén recogidos en la legislación vigente. El usuario es el responsable de la identificación de los riesgos críticos y de tener los mecanismos adecuados de protección de los procesos en caso de un posible mal funcionamiento del equipo.

Lea todo el manual antes de desembalar, instalar o trabajar con este equipo. Ponga atención a todas las advertencias y avisos de peligro. El no hacerlo puede provocar heridas graves al usuario o daños al equipo.

Asegúrese de que la protección proporcionada por el equipo no está dañada. No utilice ni instale este equipo de manera distinta a lo especificado en este manual.

Uso de la información sobre riesgos

▲ PELIGRO

Indica una situación potencial o de riesgo inminente que, de no evitarse, provocará la muerte o lesiones graves.

▲ ADVERTENCIA

Indica una situación potencial o inminentemente peligrosa que, de no evitarse, podría provocar la muerte o lesiones graves.

▲ PRECAUCIÓN





Indica una situación potencialmente peligrosa que podría provocar una lesión menor o moderada.

AVISO

Indica una situación que, si no se evita, puede provocar daños en el instrumento. Información que requiere especial énfasis.

Etiquetas de precaución

Lea todas las etiquetas y rótulos adheridos al instrumento. En caso contrario, podrían producirse heridas personales o daños en el instrumento. Cada símbolo que aparezca en el instrumento se comentará en el manual con una indicación de precaución.

	Este símbolo (en caso de estar colocado en el equipo) hace referencia a las instrucciones de uso o a la información de seguridad del manual.
	Este símbolo indica que hay riesgo de descarga eléctrica y/o electrocución.
	Este símbolo indica la presencia de dispositivos susceptibles a descargas electrostáticas. Asimismo, indica que se debe tener cuidado para evitar que el equipo sufra daño.
	El equipo eléctrico marcado con este símbolo no se podrá desechar por medio de los sistemas europeos públicos de eliminación después del 12 de agosto de 2005. De acuerdo con las regulaciones locales y nacionales europeas (Directiva UE 2002/96/EC), ahora los usuarios de equipos eléctricos en Europa deben devolver los equipos viejos o que hayan alcanzado el término de su vida útil al fabricante para su eliminación sin cargo para el usuario.

Certificación

Reglamentación canadiense sobre equipos que provocan interferencia, IEC5-003, Clase A

Registros de pruebas de control del fabricante.

Este aparato digital de clase A cumple con todos los requerimientos de las reglamentaciones canadienses para equipos que producen interferencias.

Cet appareil numérique de classe A répond à toutes les exigences de la réglementation canadienne sur les équipements provoquant des interférences.

FCC Parte 15, Límites Clase "A"

Registros de pruebas de control del fabricante. Este dispositivo cumple con la Parte 15 de las normas de la FCC estadounidense. Su operación está sujeta a las siguientes dos condiciones:

1. El equipo no puede causar interferencias perjudiciales.
2. Este equipo debe aceptar cualquier interferencia recibida, incluyendo las interferencias que pueden causar un funcionamiento no deseado.

Los cambios o modificaciones a este equipo que no hayan sido aprobados por la parte responsable podrían anular el permiso del usuario para operar el equipo. Este equipo ha sido probado y encontrado que cumple con los límites para un dispositivo digital Clase A, de acuerdo con la Parte 15 de las Reglas FCC. Estos límites están diseñados para proporcionar una protección razonable contra las interferencias perjudiciales cuando el equipo está operando en un entorno comercial. Este equipo genera, utiliza y puede irradiar energía de radio frecuencia, y si no es instalado y utilizado de acuerdo con el manual de instrucciones, puede causar una interferencia dañina a las radio comunicaciones. La operación de este equipo en un área residencial es probable que produzca interferencia dañina, en cuyo caso el usuario será requerido para corregir la interferencia bajo su propio cargo. Pueden utilizarse las siguientes técnicas para reducir los problemas de interferencia:

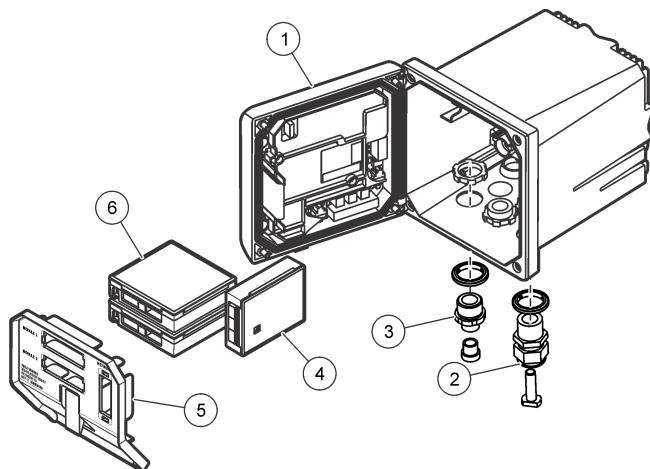
1. Desconecte el equipo de su fuente de alimentación para verificar si éste es o no la fuente de la interferencia.
2. Si el equipo está conectado a la misma toma eléctrica que el dispositivo que experimenta la interferencia, conecte el equipo a otra toma eléctrica.
3. Aleje el equipo del dispositivo que está recibiendo la interferencia.
4. Cambie la posición de la antena del dispositivo que recibe la interferencia.
5. Trate combinaciones de las opciones descritas.

Descripción general del producto

El controlador muestra las mediciones del sensor entre otros datos, puede transmitir señales tanto analógicas como digitales y puede interactuar con otros dispositivos y controlarlos a través de las salidas y relés. Las salidas, los relés, los sensores y los módulos de sensor se configuran y calibran a través de la interfaz del usuario en la parte frontal del controlador.

En la [Figura 1](#) se muestran los componentes del producto. Los componentes pueden variar en función de la configuración del controlador. Póngase en contacto con el fabricante si falta alguna pieza o está dañada.

Figura 1 Componentes del sistema



1 Controlador	4 Módulo de red (opcional)
2 Conjunto de clemas (opcional según la versión del controlador)	5 Barrera de alto voltaje
3 Adaptador de conexión digital (opcional según la versión del controlador)	6 Módulos de sensor (opcional)

Sensores y módulos de sensor

El controlador admite hasta un máximo de dos módulos de sensor o dos sensores digitales (según la configuración del controlador), junto con un módulo de comunicación. Se puede instalar un único sensor digital y un único módulo de sensor conjuntamente. Se pueden conectar mediante cable diferentes sensores a los módulos de sensor. La información sobre el cableado de los sensores se suministra en los manuales específicos de los sensores y en las instrucciones del usuario de los módulos concretos.

Señales y salidas del relé

El controlador tiene cuatro conmutadores de relé configurables y dos salidas analógicas. Un módulo de salida analógica opcional puede aumentar el número de salidas analógicas hasta cinco.

Exploraciones de dispositivos

Con dos excepciones, el controlador explora automáticamente los dispositivos conectados sin la intervención del usuario al encenderlo. La primera excepción es cuando el controlador se enciende por primera vez antes de utilizarse. La segunda excepción es después de definir los ajustes de configuración del controlador en sus valores predeterminados y encenderlo. En ambos casos, el controlador muestra en primer lugar las pantallas de edición de idioma, fecha y hora. Después de establecer idioma, fecha y hora, el controlador realiza una exploración de dispositivos. Consulte [Conexión de un sensor SC digital](#) en la página 128 para obtener instrucciones sobre cómo buscar dispositivos cuando el controlador ya está encendido.

Carcasa del controlador

La carcasa del controlador es conforme a NEMA 4X/IP66 y tiene un acabado resistente a la corrosión diseñado para resistir frente a agentes corrosivos del entorno, como niebla salina y sulfuro de hidrógeno. Se recomienda encarecidamente la protección frente a daños ambientales en las instalaciones exteriores.

Nota: Las unidades con certificación de Underwriters Laboratories (UL) están destinadas únicamente para su uso en interiores y no cuentan con la clasificación NEMA 4X/IP66.

Opciones de montaje del controlador

El controlador se puede montar en un panel, en la pared o en una tubería vertical u horizontal. Se puede utilizar la junta de sellado de neopreno incluida para reducir las vibraciones. La junta se puede utilizar como plantilla para el montaje en paneles antes de separar el componente de la junta interior.

Instalación

Montaje de componentes y dimensiones

▲ PRECAUCIÓN

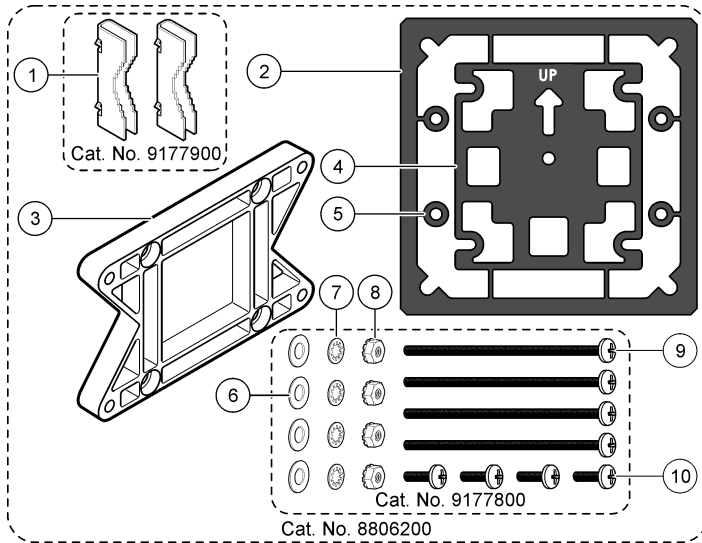
Peligro de lesión personal. Las tareas descritas en esta sección del manual solo deben ser realizadas por personal cualificado.

El controlador puede instalarse sobre una superficie, un panel o una tubería (de forma horizontal o vertical). Para obtener las instrucciones y opciones de montaje, consulte las [Figura 2](#), [Figura 3](#) en la página 116, [Figura 4](#) en la página 117, [Figura 5](#) en la página 118 y [Figura 6](#) en la página 119.

Para los montajes en tuberías horizontales, la base de montaje ([Figura 2](#)) se debe acoplar a la abrazadera de montaje en posición vertical.

Para montajes en tuberías tanto horizontales como verticales, acople la abrazadera de montaje al controlador como se muestra en [Figura 5](#) en la página 118.

Figura 2 Componentes de montaje



1 Base de montaje (2 unidades)	6 Arandela plana, de ¼ de pulgada (0,6 mm) (4 unidades)
2 Junta de sellado para el montaje del panel (neopreno)	7 Arandela de seguridad, de ¼ de pulgada (0,6 mm) (4 unidades)
3 Abrazadera para el montaje en pared o tuberías	8 Tuerca hexagonal Keps M5 x 0,8 (4 unidades)
4 Junta de aislamiento de la vibración para el montaje en tuberías	9 Tornillos de cabeza plana, M5 x 0,8 x 100 mm (4 unidades) (Utilizados para instalaciones de montaje en tuberías de diámetro variable)
5 Arandela de aislamiento de la vibración para el montaje en tuberías (4 unidades)	10 Tornillos de cabeza plana, M5 x 0,8 x 15 mm (4 unidades)

Nota: Una abrazadera para el montaje del panel está disponible como accesorio opcional.

Montaje del controlador

Figura 3 Dimensiones de la superficie de montaje

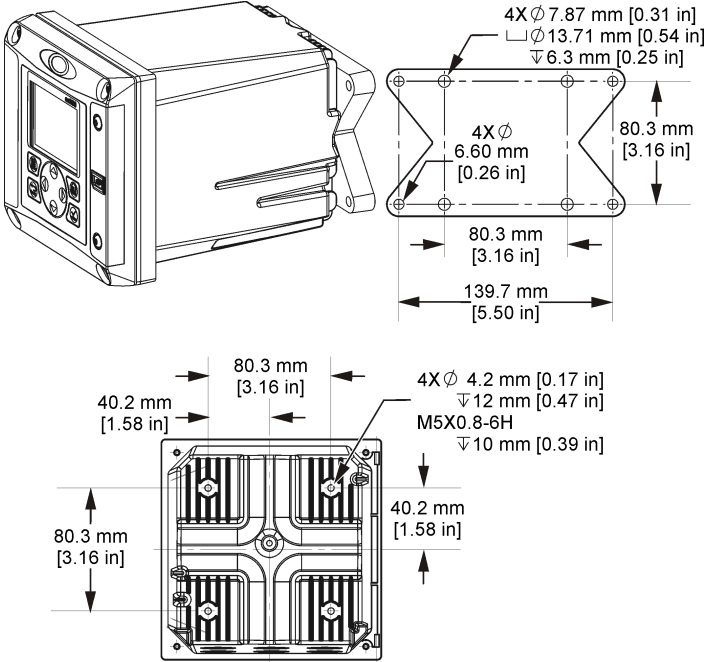
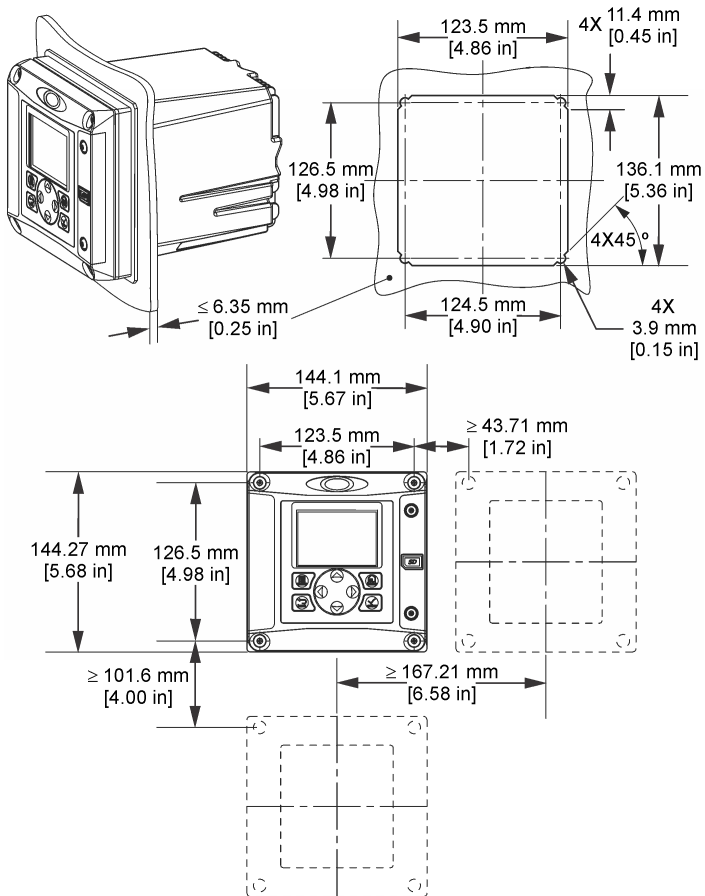


Figura 4 Dimensiones del panel de montaje



Nota: Si utiliza la abrazadera (opcional) para montar el panel, empuje el controlador a través del orificio situado en el panel y, a continuación, deslice la abrazadera por encima del controlador en la parte trasera del panel. Utilice cuatro tornillos de cabeza plana de 15 mm (suministrados con el equipo) para acoplar la abrazadera al controlador y fijar el controlador al panel.

Figura 5 Montaje en tubería (tubería vertical)

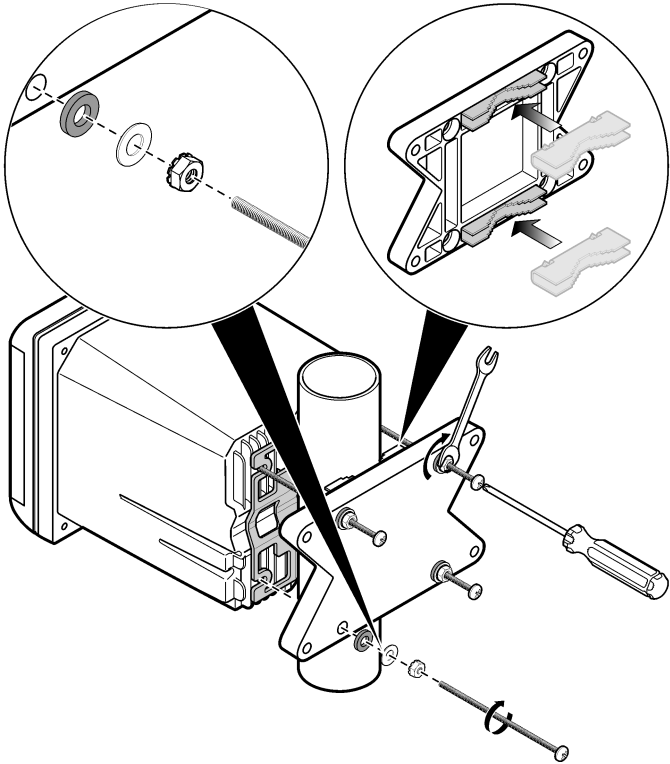
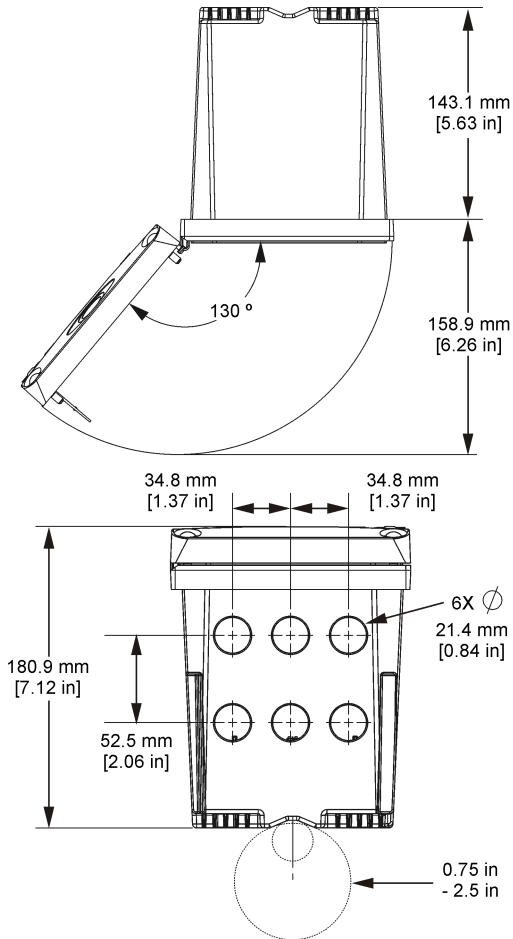



Figura 6 Vistas superior e inferior



Barrera de alto voltaje

El cableado de alto voltaje para el controlador se encuentra detrás de la barrera de alto voltaje en la carcasa del controlador. La barrera debe permanecer en su lugar excepto durante la instalación de módulos o cuando un técnico de instalación cualificado esté realizando el cableado de alimentación, alarmas, salidas o relés. No retire la barrera al conectar la alimentación al controlador.

Indicaciones para la descarga electrostática

AVISO	
	Daño potencial al instrumento. Los delicados componentes electrónicos internos pueden sufrir daños debido a la electricidad estática, lo que acarrea una disminución del rendimiento del instrumento y posibles fallos.

Consulte los pasos en este procedimiento para evitar daños de descarga electrostática en el instrumento:

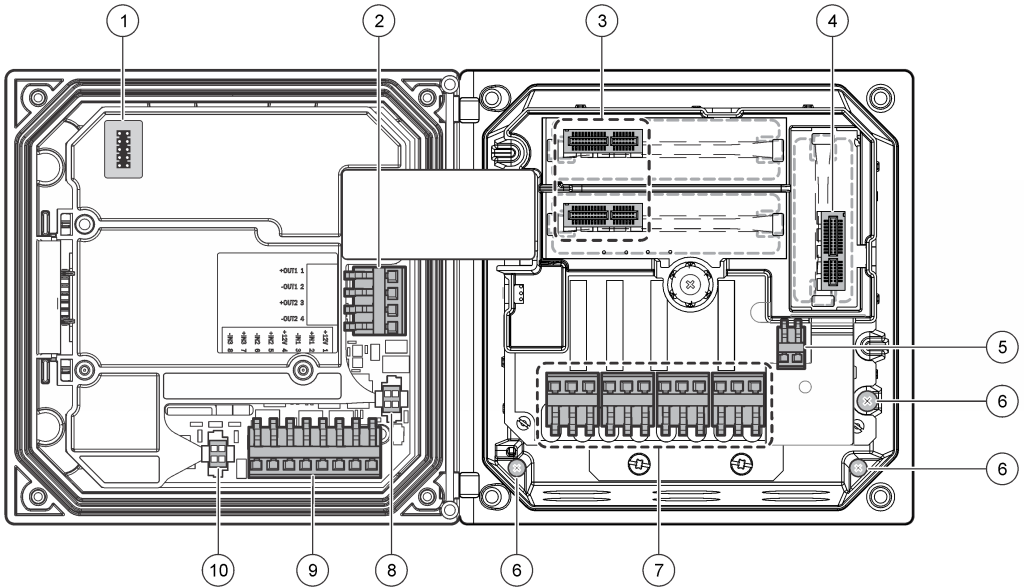
- Toque una superficie metálica a tierra como el chasis de un instrumento, un conducto metálico o un tubo para descargar la electricidad estática del cuerpo.
- Evite el movimiento excesivo. Transporte los componentes sensibles a la electricidad estática en envases o paquetes anti-estáticos.
- Utilice una muñequera conectada a tierra mediante un alambre.
- Trabaje en una zona sin electricidad estática con alfombras de piso y tapetes para mesas de trabajo antiestáticas.

Descripción general del cableado

En [Figura 7](#) se muestra una descripción general de las conexiones de cableado del interior del controlador sin la barrera de alto voltaje. En la parte izquierda de la figura se muestra la parte posterior de la cubierta del controlador.

Nota: Retire los tapones del controlador de los conectores antes de la instalación del módulo.

Figura 7 Descripción general de las conexiones de cableado



1 Conexión del cable de servicio	5 Conector de alimentación CA y CC ¹	9 Conector de cableado de entrada discreta ¹
2 Salida de 4-20 mA ¹	6 Terminales de toma de tierra	10 Conector de sensor digital ¹
3 Conector del módulo de sensor	7 Conexiones de relé ¹	
4 Conector del módulo de comunicación (p. ej., Modbus, Profibus, HART, módulo de 4-20 mA opcional, etc.)	8 Conector de sensor digital ¹	

¹ Los terminales se pueden retirar para mejorar el acceso.

Cableado para la conexión

⚠ ADVERTENCIA



Posible peligro de electrocución. Desconecte siempre el instrumento del suministro eléctrico antes de realizar conexiones eléctricas.

⚠ ADVERTENCIA



Posible peligro de electrocución. Si este equipo se utiliza en exteriores o en lugares potencialmente húmedos, debe usarse un **interruptor de falla a tierra** para conectar el equipo a la alimentación eléctrica.

⚠ PELIGRO



Peligro de electrocución. No conecte la alimentación de CA a un modelo con alimentación de 24 VCC.

⚠ ADVERTENCIA



Posible peligro de electrocución. Se requiere una conexión a tierra de protección tanto para aplicaciones de cableado de 100-240 VCA como de 24 VCC. La falta de una correcta conexión a tierra de protección puede conllevar peligro de descarga eléctrica y mal funcionamiento debido a interferencias electromagnéticas. Haga SIEMPRE una buena conexión a tierra de protección a la terminal del controlador.

AVISO

Instale el dispositivo en un lugar y una posición que facilite el acceso al dispositivo de desconexión y su operación.

Puede adquirir un modelo de controlador con alimentación 100-240 V CA o alimentación 24 V CC. Siga las instrucciones de cableado adecuadas para el modelo adquirido.

El controlador se puede conectar a una línea de alimentación a través de un conducto de conexión física o de un cable de alimentación. Independientemente del tipo de conexión utilizado, las conexiones se realizan a los mismos terminales. Se necesita una desconexión local diseñada para cumplir con el código eléctrico local y debe identificarse para todos los tipos de instalación. En aplicaciones de conexión física, las caídas del servicio de tierra de seguridad y electricidad para el instrumento deben ser de 18 a 12 AWG.

Notas:

- La barrera de voltaje se debe retirar antes de realizar cualquier conexión eléctrica. Una vez realizadas todas las conexiones, vuelva a colocar la barrera de voltaje antes de cerrar la cubierta del controlador.
- Para mantener las especificaciones ambientales de NEMA 4X/IP66, se pueden utilizar clemas de sellado y un cable de alimentación de menos de 3 metros (10 pies) con conductores de 18 hilos (incluido un cable de tierra de seguridad).
- Los controladores se pueden pedir con cables de alimentación CA preinstalados. También se pueden pedir cables de alimentación adicionales.
- La fuente de alimentación CC que suministra alimentación al controlador de 24 V CC debe mantener la regulación de voltaje dentro de los límites de voltaje especificados de 24 V CC - 15% + 20%. La fuente de alimentación CC debe proporcionar también la protección adecuada frente a subidas de tensión e irregularidades de la línea.

Procedimiento de cableado

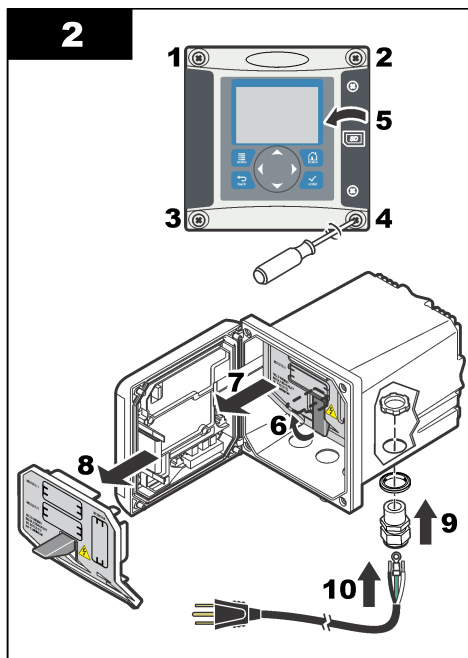
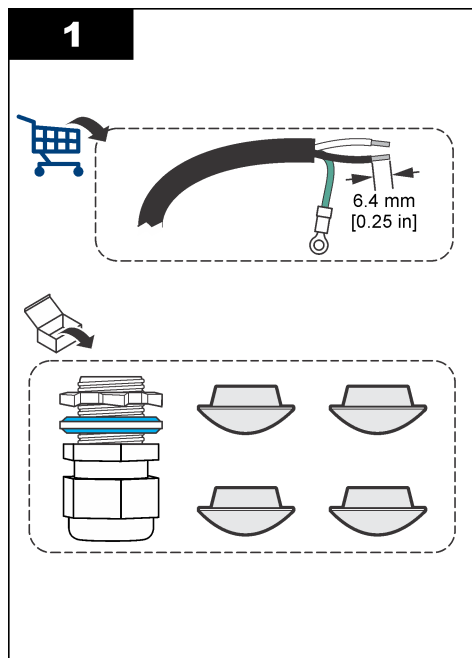
Consulte los pasos ilustrados que se incluyen en la [Tabla 1](#) o [Tabla 2](#) para conectar el controlador a la alimentación. Inserte cada cable en el terminal adecuado hasta que el conector esté totalmente aislado sin ningún cable pelado expuesto. Tire suavemente después de realizar la conexión para garantizar que es segura. Selle cualquier apertura no usada en la caja del controlador con tapones de sellado de apertura de conducto.

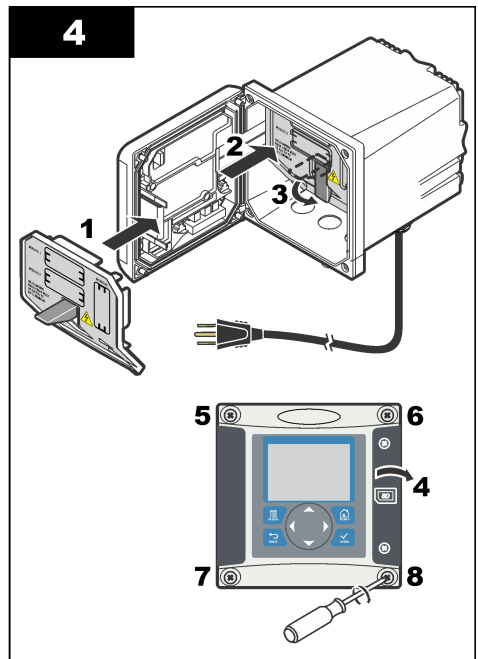
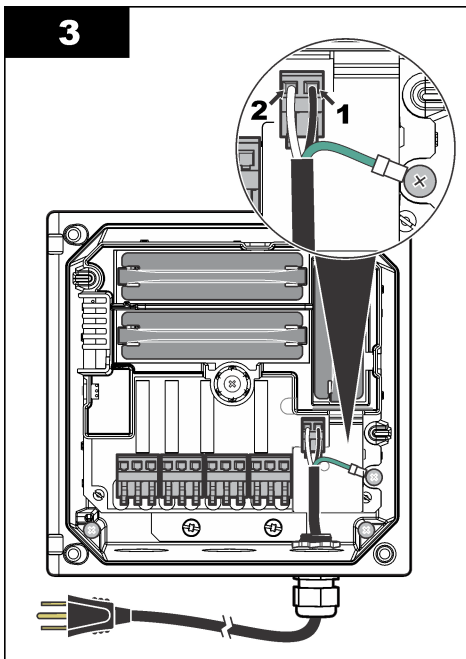
Tabla 1 Información de cableado de energía CA (solo modelos con CA)

Terminal	Descripción	Color (Norteamérica)	Color: UE
1	Vivo (L1)	Negro	Marrón
2	Neutral (N)	Blanco	Azul
—	Terminal con toma de tierra de protección	Verde	Verde con trazo amarillo

Tabla 2 Información de cableado de alimentación CC (sólo módulos con alimentación CC)

Terminal	Descripción	Color (Norteamérica)	Color: UE
1	+24 VDC	Rojo	Rojo
2	Retorno de 24 VDC	Negro	Negro
—	Terminal con toma de tierra de protección	Verde	Verde con trazo amarillo





Alarmas y relés

El controlador está equipado con cuatro relés normalmente cerrados de un solo polo (contacto seco) limitados a 100-250 VAC, 50/60 Hz y 5A (carga resistiva). Los contactos están limitados a 250 VAC, 5A (carga resistiva) para el controlador de alimentación CA y a 24 V CC, 5A (carga resistiva) con alimentación CC. Los relés no tienen ninguna limitación para las cargas inductivas.

Cableado de relés

⚠ ADVERTENCIA



Possible peligro de electrocución. Desconecte siempre el instrumento del suministro eléctrico antes de realizar conexiones eléctricas.

⚠ ADVERTENCIA



Possible peligro de fuego. Los contactos de relé están limitados a 5 A y no tienen fusibles. Las cargas externas conectadas a los relés deben tener dispositivos de limitación de corriente para limitarla a < 5 A.

⚠ ADVERTENCIA



Possible peligro de fuego. No conecte entre sí las conexiones de relé comunes o el cable de puente de las conexiones de alimentación del interior del instrumento.

⚠ ADVERTENCIA



Possible peligro de electrocución. Para mantener las clasificaciones ambientales NEMA/IP de la carcasa, utilice solo conexiones de conductos y prensacables que cumplan como mínimo con el estándar NEMA 4X/IP66 para introducir los cables en el instrumento.

Controladores con alimentación de línea CA (100—250 V)

El compartimento de cableado no está diseñado para conexiones con voltaje superior a 250 V CA.

Controladores con alimentación 24 V CC

⚠ ADVERTENCIA



Posible peligro de electrocución. Los controladores con alimentación CA (115 V–230 V) están diseñados para la conexión de relés a circuitos de alimentación CA (es decir, voltajes superiores a 16 V-RMS, 22,6 V-PEAK o 35 VDC).

⚠ ADVERTENCIA



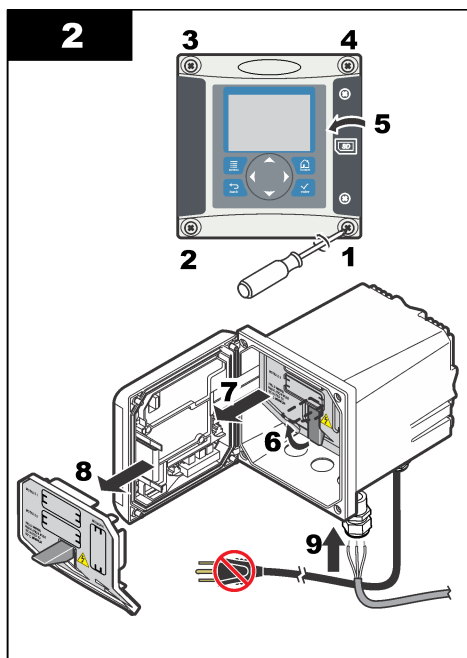
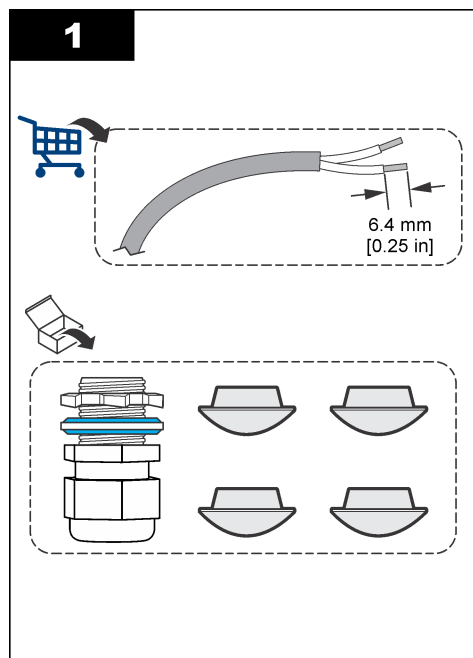
Posible peligro de electrocución. Los controladores con alimentación de 24 V están diseñados para la conexión de relés a circuitos de bajo voltaje (es decir, voltajes inferiores a 16 V-RMS, 22,6 V-PEAK o 35 VDC).

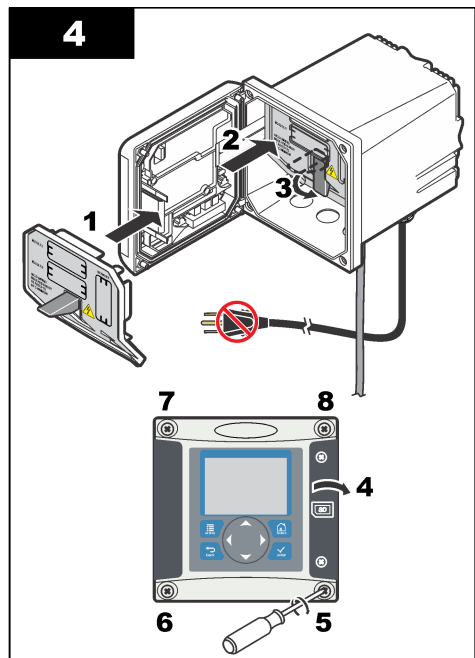
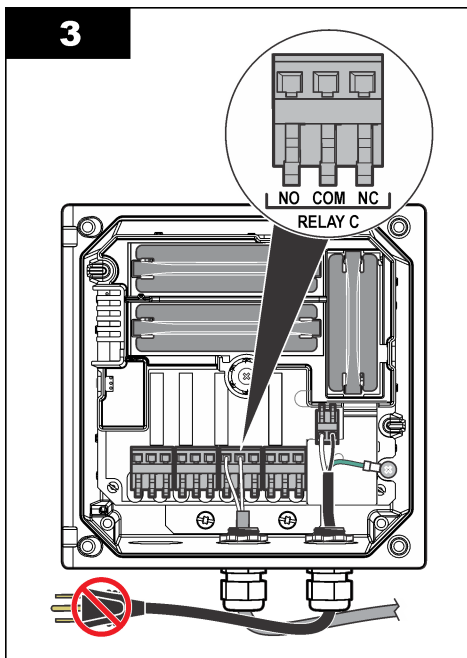
Los relés de controladores de 24 VDC están diseñados para su conexión a circuitos de bajo voltaje (es decir, voltajes inferiores a 30 V-RMS, 42,2 V-PEAK o 60 VDC). El compartimento de cableado no está diseñado para conexiones con voltaje superior a estos niveles.

El conector de relé acepta un cable de 18 a 12 AWG (según lo determinado por aplicación de carga). No se recomienda la utilización de cables con calibre menor a 18 AWG.

Los contactos de relé normalmente abiertos (NA) y comunes (COM) se conectan cuando se activa una alarma u otra condición. Los contactos de relé Normalmente abierto (NO) y Comunes (COM) se conectarán cuando haya una condición de alarma o de otro tipo inactiva (a menos que Fail Safe [A prueba de errores] esté configurado como Sí) o cuando se desconecta la alimentación del controlador.

La mayoría de las conexiones de relé utilizan los terminales NO y COM o NC y COM. Los pasos de instalación numerados muestran la conexión de terminales NO y COM.





Conexiones de salida analógica

⚠ ADVERTENCIA



Posible peligro de electrocución. Desconecte siempre el instrumento del suministro eléctrico antes de realizar conexiones eléctricas.

⚠ ADVERTENCIA



Posible peligro de electrocución. Para mantener las clasificaciones ambientales NEMA/IP de la carcasa, utilice solo conexiones de conductos y prensacables que cumplan como mínimo con el estándar NEMA 4X/IP66 para introducir los cables en el instrumento.

Se proporcionan dos salidas analógicas aisladas (1 y 2) (Figura 8). Estas salidas se suelen utilizar para la emisión de señales analógicas o para controlar otros dispositivos externos.

Realice las conexiones de cableado como se muestra en Figura 8 y Tabla 3.

Nota: Figura 8 muestra la parte posterior de la cubierta del controlador y no el interior del compartimento principal del controlador.

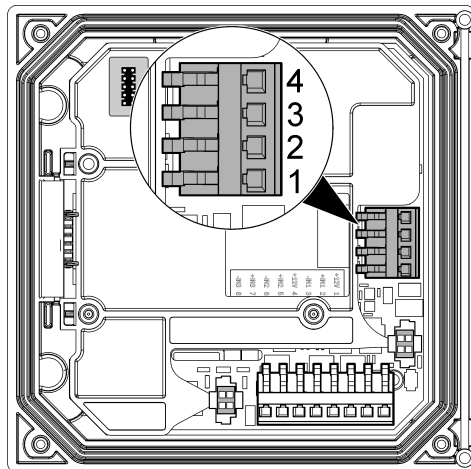
Tabla 3 Conexiones de salida

Cables del registrador	Posición de la placa de circuito
Salida 2-	4
Salida 2+	3
Salida 1-	2
Salida 1+	1

1. Abra la cubierta del controlador.
2. Introduzca los cables en las clemas.
3. Ajuste el cable según sea necesario y fije las clemas.

4. Realice las conexiones con cable blindado de par trenzado y conecte la protección al extremo del componente controlado y en el extremo del bucle de control.
 - No conecte la protección a ambos extremos del cable.
 - La utilización de cable no blindado puede causar emisiones de radiofrecuencia o niveles de sensibilidad mayores a lo permitido.
 - La resistencia máxima del bucle es de 500 ohmios.
5. Cierre la cubierta del controlador y apriete los tornillos de la misma.
6. Configure las salidas en el controlador.

Figura 8 Conexiones de salida analógica



Conexiones de cableado de las entradas discretas

▲ ADVERTENCIA



Posible peligro de electrocución. Desconecte siempre el instrumento del suministro eléctrico antes de realizar conexiones eléctricas.

▲ ADVERTENCIA



Posible peligro de electrocución. Para mantener las clasificaciones ambientales NEMA/IP de la carcasa, utilice solo conexiones de conductos y prensacables que cumplan como mínimo con el estándar NEMA 4X/IP66 para introducir los cables en el instrumento.

Con el sistema, recibirá tres entradas discretas para las entradas de los conmutadores o las entradas de tensión a nivel lógico. Realice las conexiones del cableado y configure los ajustes del puente con el controlador, como se muestra en la [Figura 9](#), la [Tabla 4](#) y la [Figura 10](#).

Nota: [Figura 9](#) muestra la parte posterior de la cubierta del controlador y no el interior del compartimento principal del controlador.

Figura 9 Conexiones de cableado de las entradas discretas

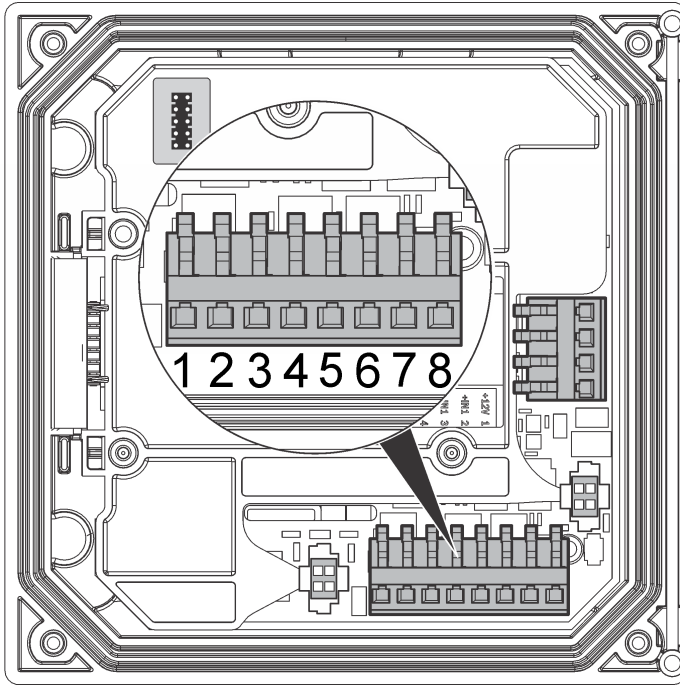
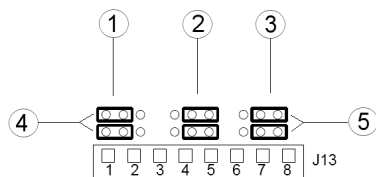


Tabla 4 Conexiones de entrada

Entradas discretas	Posición del conector: entrada del conmutador	Posición del conector: entrada de tensión
Entrada 1+	3	2
Entrada 1-	2	3
Entrada 2+	6	5
Entrada 2-	5	6
Entrada 3+	8	7
Entrada 3-	7	8

Figura 10 Configuración de los puentes



1 Puentes de configuración de la entrada 1	4 Puentes colocados a la izquierda para las entradas de los conmutadores
2 Puentes de configuración de la entrada 2	5 Puentes colocados a la derecha para las entradas de tensión
3 Puentes de configuración de la entrada 3	

1. Abra la cubierta del controlador.
2. Haga pasar los cables a través del pasamuros.
3. Ajuste el cable según sea necesario y apriete el pasamuros.
4. Los puentes se colocan inmediatamente detrás del conector. Retire el conector si desea facilitar el acceso a los puentes y configure los ajustes del puente de acuerdo con el tipo de entrada como se muestra en la [Figura 10](#).
5. Cierre la cubierta del controlador y apriete los tornillos de la misma.
6. Configure las entradas del controlador.

Nota: En el modo **switch input** (entrada del conmutador), el controlador suministra 12 voltios al conmutador y no está aislado del controlador. En el modo **voltage input** (entrada de tensión), las entradas se aíslan del controlador (la tensión de entrada del usuario va de 0 a 10 voltios).

Conexión de un sensor SC digital

Nota: Para conectar un sensor analógico, consulte las instrucciones suministradas en el manual del módulo o del sensor.

El sensor SC digital se puede conectar al controlador mediante el adaptador de anclaje de conexión rápida ([Figura 11](#)). El sensor digital se puede conectar con el controlador tanto encendido como apagado.

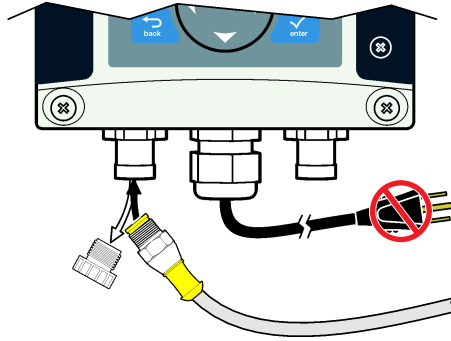
Cuando el sensor se conecta al controlador encendido, éste no realiza una exploración automática de dispositivos. Para que el controlador realice una exploración de dispositivos, vaya al menú Test/Maintenance (PRUEBA/MANTENIMIENTO) y seleccione EXPLORAR DISPOSITIVOS. Si se encuentra un nuevo dispositivo, el controlador realiza el proceso de instalación sin la intervención del usuario.

Cuando el sensor se conecta al controlador apagado, éste realiza una exploración de dispositivos cuando se vuelve a encender. Si se encuentra un nuevo dispositivo, el controlador realiza el proceso de instalación sin la intervención del usuario.

Conserve la tapa del conector para sellar la apertura del sensor, en caso de que éste deba ser desmontado.

Figura 11 Conexión rápida del sensor digital

1.



Conexión de la salida de comunicación digital opcional

El fabricante admite los protocolos de comunicación Modbus RS485, Modbus RS232, Profibus DPV1 y HART. El módulo de salida digital opcional se debe instalar en la ubicación indicada en el punto 4 de la [Figura 7](#) en la página 120. Para obtener más información, consulte las instrucciones suministradas con el módulo de red.

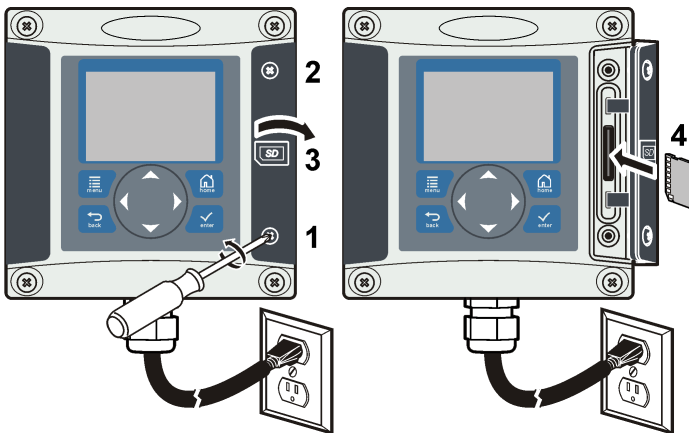
Si desea más información sobre los registros de Modbus, vaya a <http://www.hach-lange.com> o <http://www.hach.com> y busque *Modbus registers* (Registros de Modbus) o vaya a cualquier página del producto sc200.

Instalación de una tarjeta de memoria Secure Digital (SD)

Para obtener información sobre cómo instalar una tarjeta SD en el controlador, consulte [Figura 12](#). Encontrará información sobre el uso de la tarjeta de memoria SD en la versión ampliada de este manual.

Para extraer una tarjeta SD, presiónela hacia abajo para liberarla y, a continuación, extráigala de la ranura. Una vez extraída la tarjeta, cierre la cubierta de la ranura y apriete los tornillos de la misma.

Figura 12 Instalación de la tarjeta SD

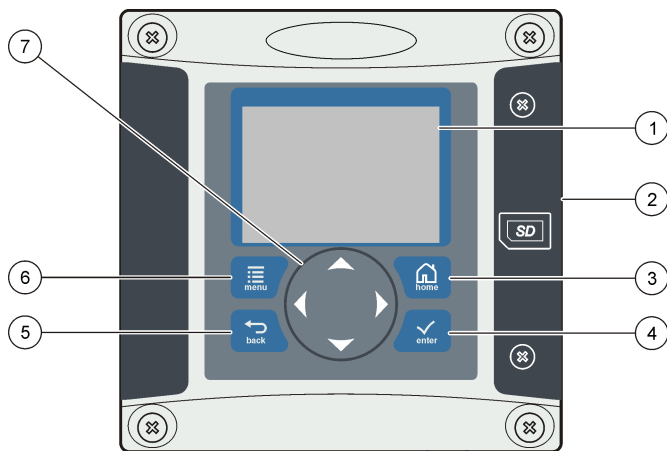


Interfaz del usuario y navegación

Interfaz del usuario

El teclado tiene cuatro teclas de menú y cuatro teclas de navegación como se muestra en la [Figura 13](#).

Figura 13 Descripción general del teclado y del panel frontal



1 Pantalla del instrumento	5 Tecla BACK . Retrocede un nivel en la estructura del menú.
2 Cubierta para la ranura de tarjeta de memoria Secure Digital	6 Tecla MENU . Se desplaza al menú de configuración desde otras pantallas y submenús.
3 Tecla HOME . Se desplaza hasta la pantalla principal de medición desde otras pantallas y submenús.	7 Teclas de navegación Se utilizan para navegar a través de los menús y aumentar o reducir los dígitos.
4 Tecla ENTER . Acepta los valores introducidos, actualizaciones u opciones de menú mostradas.	

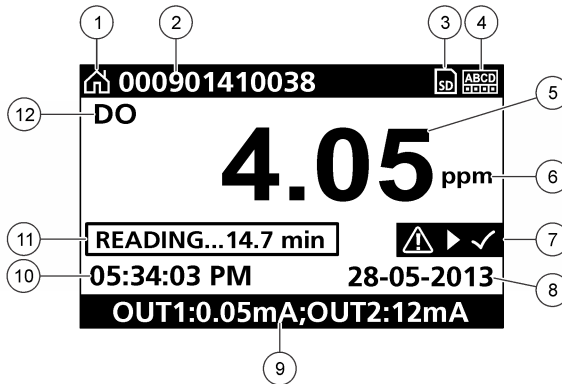
Las entradas y salidas se configuran mediante el panel frontal con el teclado y la pantalla de visualización. Esta interfaz de usuario se utiliza para configurar las entradas y salidas, crear información de registro y valores calculados, así como para calibrar los sensores. La interfaz de SD se puede utilizar para guardar registros y actualizar en software.

Pantalla

[Figura 14](#) muestra un ejemplo de la pantalla principal de medición con un sensor DO conectado al controlador.

La pantalla de visualización del panel frontal muestra los datos de medición del sensor, los ajustes de calibración y configuración, errores, advertencias y otra información.

Figura 14 Ejemplo de la pantalla principal de medición



1 Icono de la pantalla de inicio	7 Barra de estado de advertencia
2 Nombre del sensor	8 Fecha
3 Icono de la tarjeta de memoria SD	9 Valores de salida analógica
4 Indicador de estado de relé	10 Hora
5 Valor de medición	11 Barra de progreso
6 Unidad de medición	12 Parámetro de medición

Tabla 5 Descripciones de los iconos

Icono	Descripción
Pantalla de inicio	El icono puede variar en función de la pantalla o el menú que se muestre. Por ejemplo, si hay una tarjeta SD instalada, aquí aparece un icono de tarjeta SD cuando el usuario está en el menú SD Card Setup (Configuración de tarjeta SD).
Tarjeta de memoria SD	Este icono sólo aparece si hay una tarjeta SD en la ranura del lector. Cuando un usuario está en el menú SD Card Setup (Configuración de tarjeta SD), este icono aparece en la esquina superior izquierda.
Advertencia	El icono de advertencia consiste en un signo de exclamación dentro de un triángulo. Los iconos de advertencia aparecen en la parte derecha de la pantalla principal, debajo del valor de medición. Presione la tecla ENTER (Intro) y, a continuación, seleccione el dispositivo para ver los problemas asociados a ese dispositivo. El icono de advertencia desaparecerá cuando todos los problemas se hayan corregido o se haya acusado su recibo.
Error	El icono de error consiste en un signo de exclamación dentro de un círculo. Cuando se produce un error, el icono de error y la pantalla de medición parpadean de forma alternativa en la pantalla principal. Para visualizar los errores, pulse la tecla MENU y seleccione Diagnostics (Diagnósticos). A continuación, seleccione un dispositivo para ver los problemas asociados a ese dispositivo.

Formatos de visualización adicionales

- En la pantalla de medición principal, pulse las teclas de flecha **ARRIBA** y **ABAJO** para alternar entre los parámetros de medición.
- En la pantalla de medición principal, pulse la tecla de flecha **DERECHA** para cambiar a una pantalla dividida con hasta cuatro (4) parámetros de medición. Pulse la tecla de flecha **DERECHA** para incluir mediciones adicionales. Pulse la tecla de flecha **IZQUIERDA** si es necesario para volver a la pantalla de medición principal.

- En la pantalla de medición principal, pulse la tecla de flecha **IZQUIERDA** para cambiar a la pantalla gráfica (consulte [Pantalla gráfica](#) en la página 132 para definir los parámetros). Pulse las teclas de flecha arriba y abajo para cambiar a los gráficos de medición.

Pantalla gráfica

El gráfico muestra las mediciones de concentración y temperatura de cada canal en uso. El gráfico proporciona una supervisión fácil de las tendencias y muestra los cambios en el proceso.

1. En la pantalla gráfica, use las teclas de flecha arriba y abajo para seleccionar un gráfico y pulse la tecla **HOME** (Inicio).
2. Seleccione una opción:

Opción	Descripción
MEASUREMENT VALUE (VALOR DE MEDICIÓN)	Configure el valor de medición para el canal seleccionado. Seleccione entre AUTO SCALE (ESCALA AUTOMÁTICA) y MANUALLY SCALE (ESCALA MANUAL). En el caso de la escala manual, introduzca los valores de medición mínimo y máximo
DATE & TIME RANGE (INTERVALO DE FECHA Y HORA)	Seleccione el intervalo de fecha y hora de entre las opciones disponibles

Arranque del sistema

Al conectarlo por primera vez, aparecen en este orden las pantallas de idioma, formato de fecha y fecha/hora. Después de configurar estas opciones, el controlador realiza una exploración de dispositivos y muestra el mensaje **EXPLORANDO DISPOSITIVOS. POR FAVOR ESPERE...** Si se encuentra un nuevo dispositivo, el controlador realiza un proceso de instalación antes de mostrar la pantalla principal de medición.

Si la exploración encuentra dispositivos instalados previamente sin cambios de configuración, aparece la pantalla principal de medición del dispositivo en primer lugar inmediatamente después de completarse la exploración.

Si se ha retirado un dispositivo del controlador o no se encuentra durante la siguiente exploración del ciclo de alimentación o activada por menú, el controlador muestra un mensaje **FALTA UN DISPOSITIVO** y le indica que elimine el dispositivo.

Si no hay ningún sensor conectado a un módulo analógico, el controlador indicará que hay un error. Si ha dispositivos conectados pero el controlador no los encuentra, consulte [Solución de problemas](#) en la página 134.

Configuración inicial de idioma, fecha y hora

El controlador muestra las pantallas de idioma, fecha y hora al encenderlo por primera vez o después de definir los ajustes de configuración en sus valores predeterminados. Después de configurar las opciones de idioma, fecha y hora por primera vez, actualice las opciones según sea necesario a través del menú de configuración del sc200.

1. En la pantalla de idioma, resalte un idioma en la lista de opciones y presione la tecla **ENTER**. English es el idioma predeterminado para el controlador. Se guarda el idioma seleccionado. Aparece la pantalla Date Format (FORMATO DE FECHA).
2. En esta pantalla, resalte un formato y presione la tecla **ENTER**. Se guarda el formato de fecha y hora. A continuación, aparece la pantalla FECHA/HORA.
3. En esta pantalla, presione las teclas de flecha hacia la **DERECHO** o hacia la **IZQUIERDA** para resaltar un campo y, a continuación, presione las teclas de flecha hacia **ARRIBA** y hacia **ABAJO** para actualizar el valor del campo. Actualice los demás campos según sea necesario.
4. Presione la tecla **ENTER**. Se guardan los cambios y el controlador realiza una exploración de dispositivos al arrancar. Si se encuentran dispositivos conectados, el controlador muestra la pantalla principal de medición del dispositivo en primer lugar. Si el controlador no encuentra dispositivos conectados, consulte [Solución de problemas](#) en la página 134.

Información de configuración del controlador


En la tabla se muestra información general sobre las opciones de configuración.

1. Para navegar a las opciones de menú, en MENÚ DE CONFIGURACIÓN, seleccione CONFIG DE sc200.

Opción	Descripción
Security setup (CONFIGURACIÓN DE SEGURIDAD)	Configura las preferencias del código de seguridad..
Output setup (CONFIGURACIÓN DE SALIDA)	Configura las salidas analógicas del controlador.
Configuración del relé	Configura los relés del controlador.
Display setup (Configuración de pantalla)	Configura la pantalla del controlador.
Set Date/Time (CONFIGURAR FECHA/HORA)	Configura la fecha y hora del controlador.
Datalog setup (Configuración de registro de datos)	Configura las opciones de registro de datos. Solo está disponible si se ha configurado Calculation (Cálculo).
Manage Data (Gestionar datos)	Seleccione el dispositivo de la lista de componentes instalados para ver el registro de datos o de eventos.
Error Hold Mode (MODO DE RETENCIÓN POR ERROR)	Hold Outputs (RETENER SALIDAS): retiene las salidas en el último valor conocido cuando el controlador pierde la comunicación con el sensor. SALIDAS DE TRANSFERENCIA: cambia al modo de transferencia cuando el controlador pierde la comunicación con el sensor. Realiza la salida de transferencia a a un valor predefinido.
Cálculo	Configura la función matemática del controlador.
Información de sc200	S/W VER (VER DE S/W): muestra la versión actual del software del controlador. VER DE CARG DE ARRANQUE: muestra la versión actual del cargador de arranque. El cargador de arranque es un archivo que carga el sistema operativo principal del controlador. S/N (N/S): muestra el número de serie del controlador. Version (Versión): muestra la versión actual del hardware del controlador.
Discrete Input Setup(Configuración de entradas discretas)	Configura tres canales de entrada discretos.
Language (Idioma)	Asigna un idioma utilizado en el controlador.

2. Seleccione una opción y presione **ENTER** para activar el elemento de menú.

Mantenimiento

⚠ PRECAUCIÓN	
	Peligros diversos. Sólo el personal cualificado debe realizar las tareas descritas en esta sección del documento.

Limpieza del controlador

⚠ PELIGRO



Desenchufe siempre el controlador antes de realizar cualquier labor de mantenimiento.

Nota: Nunca utilice disolventes inflamables o corrosivos para limpiar cualquier parte del controlador. El uso de estos disolventes puede degradar la protección medioambiental de la unidad y podría anular la garantía.

1. Asegúrese de que la cubierta del controlador está bien cerrada.
2. Limpie la parte exterior del controlador con un trapo humedecido en agua o una mezcla de agua y detergente suave.

Solución de problemas

Problema	Resolución
Ninguna salida de corriente	Verifique la configuración de salida de corriente.
	Pruebe la señal de salida de corriente mediante el submenú Test/Maintenance (PRUEBA/MANTENIMIENTO). Introduzca un valor de corriente y verifique la señal de salida en las conexiones del controlador.
	Póngase en contacto con el servicio de asistencia técnica.
Salida de corriente incorrecta	Verifique la configuración de salida de corriente.
	Pruebe la señal de salida de corriente mediante el submenú Test/Maintenance (PRUEBA/MANTENIMIENTO). Introduzca un valor de corriente y verifique la señal de salida en las conexiones del controlador. Si la salida no es correcta, realice una calibración de la salida.
Ninguna activación de relé	Asegúrese de que las conexiones de relé estén bien realizadas.
	Si utiliza una fuente de alimentación externa, asegúrese de que el cableado de relé sea correcto.
	Asegúrese de que la configuración de relé sea correcta.
	Pruebe la activación de relé mediante el menú Test/Maintenance (PRUEBA/MANTENIMIENTO). El relé se debe activar y desactivar según se haya seleccionado.
	Asegúrese de que el controlador no esté en modo de calibración y que no se esté reteniendo el relé.
Restablezca el temporizador de sobrealimentación para asegurarse de que no haya caducado.	

Problema	Resolución
El controlador no reconoce la tarjeta de memoria Secure Digital (SD).	Asegúrese de que la tarjeta SD esté bien orientada. Las marcas de cobre se deben colocar hacia la pantalla del controlador.
	Asegúrese de que la tarjeta SD esté totalmente introducida en la ranura y que el bloqueo de seguridad esté puesto.
	Asegúrese de que la tarjeta SD está correctamente formateada con un formato Fat32. No se admite el formato MMC. Siga las instrucciones del fabricante de la tarjeta para formatear la tarjeta SD en un PC.
	Asegúrese de que la tarjeta no sea mayor de 32 GB.
	Asegúrese de que se está utilizando una tarjeta SD. Otros tipos de tarjeta (como xSD, micro SD, mini SD) no funcionarán correctamente.
La información no se guarda, o no lo hace correctamente, en la tarjeta SD.	Asegúrese de que la tarjeta SD está correctamente formateada con el formato FAT32 No se admite el formato MMC. Siga las instrucciones del fabricante de la tarjeta para formatear la tarjeta SD en un PC.
	Si la tarjeta SD se ha utilizado anteriormente, formateela con el formato Fat32, instálela en el controlador e intente descargar archivos.
	Pruebe con otra tarjeta SD distinta.
Tarjeta SD llena	Lea la tarjeta SD con un PC u otro dispositivo de lectura de tarjetas. Guarde los archivos importantes y, a continuación, borre todos o algunos de los archivos de la tarjeta SD.
El controlador no encuentra actualizaciones de software en la tarjeta SD.	Asegúrese de que se ha creado una carpeta correcta al instalar la tarjeta SD en el controlador. Se creará automáticamente una carpeta de actualización.
	Instale la tarjeta en un PC y asegúrese de que los archivos de software estén en la carpeta de actualización correcta.
	Si se utiliza la misma tarjeta SD con varios controladores, cada controlador tendrá una carpeta distinta en el sistema. Asegúrese de que las actualizaciones de software estén en la carpeta correspondiente del controlador en uso.
La pantalla se ilumina pero no muestra ningún carácter o los caracteres aparece atenuados o borrosos.	Ajustar el contraste de la pantalla
	Asegúrese de haber quitado la película protectora de la pantalla.
	Limpie el exterior del controlador, incluida la pantalla.
El controlador no se enciende o lo hace intermitentemente.	Asegúrese de que las conexiones de alimentación de CA terminan correctamente en el controlador.
	Asegúrese de que la regleta, la alimentación de la línea y la toma de pared están correctamente conectadas.
	Póngase en contacto con el servicio de asistencia técnica.
No se reconoce el módulo del sensor o de red.	Asegúrese de que el módulo esté bien instalado.
	Asegúrese de que el conmutador selector del módulo esté en el número correcto.
	Extraiga el módulo del sensor e instálelo en la segunda ranura analógica. Conecte la alimentación al controlador y realice una exploración de dispositivos.
	Póngase en contacto con el servicio de asistencia técnica.

Problema	Resolución
<p>No se reconoce el sensor.</p> <p>Nota: Ejemplo de posible mensaje en pantalla: ****</p>	<p>Si el sensor es analógico y se ha instalado un módulo correspondiente en el controlador, consulte las instrucciones suministradas con el módulo de sensor o de red.</p>
	<p>Asegúrese de que la carcasa de cableado del conector digital esté ajustada en el interior del ensamblaje de la puerta y que no esté dañada.</p>
	<p>Si el sensor digital está conectado al controlador mediante una caja de conectores digitales, un cuadro de empalmes suministrado por el usuario, cables de extensión digitales o un cable de extensión suministrado por el usuario, conecte el sensor directamente al controlador y realice una exploración de dispositivos. Si el controlador reconoce el sensor, compruebe que todo el cableado de los cuadros de empalmes o los cables de extensión es correcto.</p>
	<p>Asegúrese de que sólo hay dos sensores instalados en el controlador. Aunque hay dos puertos de módulo analógico disponibles, si hay un sensor digital y dos módulos analógicos instalados, el controlador sólo detectará dos de los tres dispositivos.</p>
	<p>Póngase en contacto con el servicio de asistencia técnica.</p>
<p>Aparece el mensaje FALTA UN DISPOSITIVO.</p>	<p>Realice una exploración de dispositivos desde el menú Test/Maintenance (PRUEBA/MANTENIMIENTO).</p>
	<p>Active un ciclo de alimentación del controlador.</p>

Índice

Especificações na página 137

Informação geral na página 138

Instalação na página 141

Interface do utilizador e navegação na página 157

Arranque do sistema na página 159

Manutenção na página 160

Resolução de problemas na página 161

Informação adicional

Está disponível informação adicional no website do fabricante.

Especificações

As especificações podem ser alteradas sem aviso prévio.

Especificação	Detalhes
Descrição dos componentes	O controlador controlado por microprocessador e por menus que opera o sensor e apresenta valores de medição.
Temperatura de funcionamento	-20 a 60 °C; 95% de humidade relativa, sem condensação com carga do sensor <7 W; -20 a 50 °C com carga do sensor <28 W
Temperatura de armazenamento	-20 a 70 °C; 95% de humidade relativa, sem condensação
Estrutura ¹	Estrutura metálica de NEMA 4X/IP66 com acabamento resistente à corrosão
Requisitos de energia	Controlador com alimentação AC: 100-240 V AC ±10%, 50/60 Hz; potência de 50 VA com carga de módulo de sensor/rede de 7 W, 100 VA com carga de módulo de sensor/rede de 28 W (ligação de rede Modbus, RS232/RS485, Profibus DPV1 ou HART opcional). Controlador com alimentação de 24 V DC: 24 V DC—15%, + 20%; potência de 15 W com carga de módulo de sensor/rede de 7 W, 40 W com carga de módulo de sensor/rede de 28 W (ligação de rede Modbus, RS232/RS485, Profibus DPV1 ou HART opcional).
Requisitos de altitude	padrão 2000 m (6562 pés) ACM (Acima do Nivel do Mar)
Nível de poluição/Categoria de instalação	Grau de poluição 2; Categoria de instalação II
Saídas	Duas saídas analógicas (0-20 mA ou 4-20 mA). Cada saída analógica pode ser atribuída para representar um parâmetro medido como, por exemplo, pH, temperatura, fluxo ou valores calculados. O módulo opcional disponibiliza três saídas analógicas adicionais (total de 5).
Relés	Quatro contactos SPDT configurados pelo utilizador, com tensão de 250 V AC, uma resistência máxima de 5 Amps para o controlador com alimentação AC e 24 V DC e uma resistência máxima de 5 A para o controlador com alimentação DC. Os relés foram concebidos para ligação a circuitos com corrente AC (isto é, sempre que o controlador é utilizado com potência AC de 115 - 240 V AC) ou circuitos DC (isto é, sempre que o controlador é utilizado com uma potência de 24 V DC).
Dimensões	½ DIN—144 x 144 x 180,9 mm (5,7 x 5,7 x 7,12 pol.)
Peso	1,7 kg

Especificação	Detalhes
Informações sobre conformidade ²	Aprovado pela CE (com todos os tipos de sensores). Indicado para utilização em locais gerais para as normas de segurança UL e CSA pela ETL (com todos os tipos de sensores). Alguns dos modelos com alimentação de corrente CA estão listados para utilização em locais de segurança gerais de acordo com as normas de segurança dos UL e CSA, pelos Underwriters Laboratories (com todos os tipos de sensores).
Comunicação digital	Ligação de rede Modbus, RS232/RS485, Profibus DPV1 ou HART opcional para transmissão de dados
Registo de dados	Conector de cabo Secure Digital Card (máximo de 32 GB) ou RS232 especial para registo de dados e efectuar actualizações de software. O controlador irá manter aproximadamente 20 000 pontos de dados por sensor.
Garantia	2 anos

¹ As unidades com certificação da Underwriters Laboratories (UL) destinam-se exclusivamente a ser utilizadas no interior e não têm classificação NEMA 4X/IP66.

² As unidades com alimentação de corrente CC não são listadas pelos UL.

Informação geral

Em caso algum o fabricante será responsável por quaisquer danos directos, indirectos, especiais, acidentais ou consequenciais resultantes de qualquer incorrecção ou omissão deste manual. O fabricante reserva-se o direito de, a qualquer altura, efectuar alterações neste manual ou no produto nele descrito, sem necessidade de o comunicar ou quaisquer outras obrigações. As edições revistas encontram-se disponíveis no website do fabricante.

Informações de segurança

ATENÇÃO

O fabricante não é responsável por quaisquer danos resultantes da aplicação incorrecta ou utilização indevida deste produto, incluindo, mas não limitado a, danos directos, incidentais e consequenciais, não se responsabilizando por tais danos ao abrigo da lei aplicável. O utilizador é o único responsável pela identificação de riscos de aplicação críticos e pela instalação de mecanismos adequados para a protecção dos processos na eventualidade de uma avaria do equipamento.

Leia este manual até ao fim antes de desembalar, programar ou utilizar o aparelho. Dê atenção a todos os avisos relativos a perigos e precauções. A não leitura destas instruções pode resultar em lesões graves para o utilizador ou em danos para o equipamento.

Certifique-se de que a protecção oferecida por este equipamento não é comprometida. Não o utilize ou instale senão da forma especificada neste manual.

Uso da informação de perigo

▲ PERIGO

Indica uma situação de risco potencial ou eminente que, se não for evitada, resultará em morte ou lesão grave.

▲ ADVERTÊNCIA

Indica uma situação de perigo potencial ou eminente que, caso não seja evitada, poderá resultar na morte ou em ferimentos graves.

▲ AVISO





Indica uma situação de risco potencial, que pode resultar em lesão ligeira a moderada.

ATENÇÃO

Indica uma situação que, caso não seja evitada, poderá causar danos no instrumento. Informação que requer ênfase especial.

Avisos de precaução

Leia todas as etiquetas presentes no aparelho. A sua não observação pode resultar em lesões para as pessoas ou em danos para o aparelho. Um símbolo no aparelho é referenciado no manual com uma frase de precaução.

	Quando encontrar este símbolo no instrumento, isto significa que deverá consultar o manual de instruções para obter informações sobre o funcionamento do instrumento e/ou de segurança.
	Este símbolo indica que existe um risco de choque eléctrico e/ou electrocussão.
	Este símbolo indica a presença de dispositivos sensíveis a descargas electrostáticas (DEE) e indica que é necessário ter cuidado para evitar danos no equipamento.
	Desde 12 de Agosto de 2005, os equipamentos eléctricos marcados com este símbolo não poderão ser depositados nos sistemas europeus públicos de recolha de resíduos. Em conformidade com a legislação europeia e nacional (Directiva europeia 2002/96/CE), os utilizadores europeus de equipamentos eléctricos deverão devolver os equipamentos usados ou em fim de vida ao Fabricante, que procederá à sua eliminação sem quaisquer custos para o utilizador.

Certificação

Regulamento Canadiano de Equipamentos Causadores de Interferências, IECS-003, Classe A:

Os registos de suporte dos testes estão na posse do fabricante.

Este aparelho de Classe A obedece a todos os requisitos dos Regulamentos Canadianos de Equipamentos Causadores de Interferências.

Cet appareil numérique de classe A répond à toutes les exigences de la réglementation canadienne sur les équipements provoquant des interférences.

Parte 15 das Normas FCC, Limites da Classe “A”

Os registos de suporte dos testes estão na posse do fabricante. Este aparelho está conforme com a Parte 15 das Normas FCC. O funcionamento está sujeito às duas condições seguintes:

1. O equipamento não provoca interferências nocivas.
2. O equipamento deve aceitar qualquer interferência recebida, incluindo interferências susceptíveis de determinar um funcionamento indesejado.

Alterações ou modificações efectuadas nesta unidade que não sejam expressamente aprovadas pela entidade responsável pela conformidade podem retirar ao utilizador a legitimidade de usar o aparelho. Este equipamento foi testado e considerado conforme relativamente aos limites para os dispositivos digitais de Classe A, de acordo com a Parte 15 das Normas FCC. Estes limites destinam-se a conferir uma protecção razoável contra interferências nocivas quando o equipamento é operado em ambiente comercial. Este equipamento gera, utiliza e pode irradiar energia de radiofrequência e, se não for instalado e utilizado em conformidade com o manual de instruções, poderá provocar interferências nocivas com comunicações por rádio. É provável que a utilização deste equipamento numa zona residencial provoque interferências nocivas. Neste caso, o utilizador deverá corrigi-las às suas próprias expensas. As técnicas a seguir podem ser utilizadas para diminuir os problemas de interferência:

1. Desligue o aparelho da corrente e verifique se esta é ou não a fonte de interferência.
2. Se o aparelho estiver ligado à mesma tomada que o dispositivo que apresenta interferências, ligue-o a uma tomada diferente.
3. Afaste o equipamento do dispositivo que está a receber a interferência.

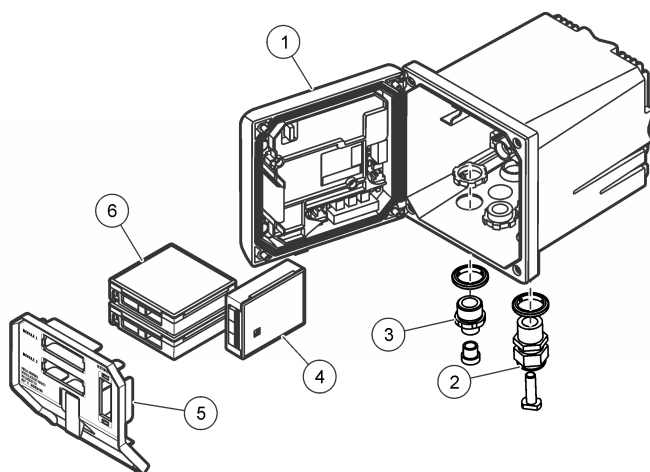
4. Reposicione a antena de recepção do dispositivo que está a receber a interferência.
5. Experimente combinações das sugestões anteriores.

Vista geral do produto

O controlador apresenta medições do sensor e outros dados, pode transmitir sinais analógicos e digitais e pode interagir e controlar outros dispositivos através de saídas e relés. As saídas, relés, sensores e módulos de sensor são configurados e calibrados através da interface de utilizador na parte da frente do controlador.

Figura 1 mostra os componentes do produto. Os componentes podem variar de acordo com a configuração do controlador. Contacte o fabricante no caso das peças estarem danificadas ou em falta.

Figura 1 Componentes do sistema



1 Controlador	4 Módulo de rede (opcional)
2 Conjunto do redutor de tensão (opcional, depende da versão do controlador)	5 Barreira de alta tensão
3 Encaixe de ligação digital (opcional, depende da versão do controlador)	6 Módulos do sensor (opcional)

Sensores e módulos de sensor

O controlador permite um máximo de dois módulos de sensor ou dois sensores digitais (dependendo da configuração do controlador), bem como um módulo de comunicação. Pode ser instalado um sensor digital e um módulo de sensor. Podem ser ligados vários sensores aos módulos de sensor. Estão disponíveis informações sobre ligações do sensor nos manuais de sensor específicos e nas instruções de utilizador para módulos específicos.

Sinais e saídas dos relés

O controlador tem quatro comutadores de relé configuráveis e duas saídas analógicas. Um módulo de saída analógica opcional pode aumentar o número de saídas analógicas para cinco

Verificações do dispositivo

Com duas exceções, o controlador verifica automaticamente a presença de dispositivos ligados sem intervenção por parte do utilizador quando está ligado. A primeira exceção ocorre quando o controlador é ligado pela primeira vez antes da utilização inicial. A segunda exceção ocorre depois das definições de configuração do controlador terem sido definidas para os respectivos valores predefinidos e o controlador ter sido ligado. Em ambos os casos, o controlador mostra primeiro os ecrãs de edição de idioma, data e hora. Depois das introduções do idioma, data e hora serem

aceites, o controlador efectua uma examinação do dispositivo. Consulte [Ligue um sensor sc digital](#) na página 155 para obter instruções sobre como procurar dispositivos quando o controlador já se encontrar ligado.

Caixa do controlador

A caixa do controlador tem uma classificação de NEMA 4X/IP66 e um acabamento resistente a corrosão, concebido para suportar substâncias ambientes corrosivos, como pulverização de água do mar e sulfureto de hidrogénio. Recomenda-se vivamente protecção contra danos ambientais no que respeita a utilização em exteriores.

Nota: As unidades com certificação da Underwriters Laboratories (UL) destinam-se exclusivamente a ser utilizadas no interior e não têm classificação NEMA 4X/IP66.

Opções de montagem do controlador

O controlador pode ser montado num painel, parede, na vertical ou na horizontal. É fornecida uma junta de estanqueidade em neopreno, que pode ser utilizada para reduzir as vibrações. A junta pode ser utilizada como suporte para montagem do painel antes do componente da junta interna ser separado.

Instalação

Montagem e dimensões dos componentes

▲ AVISO

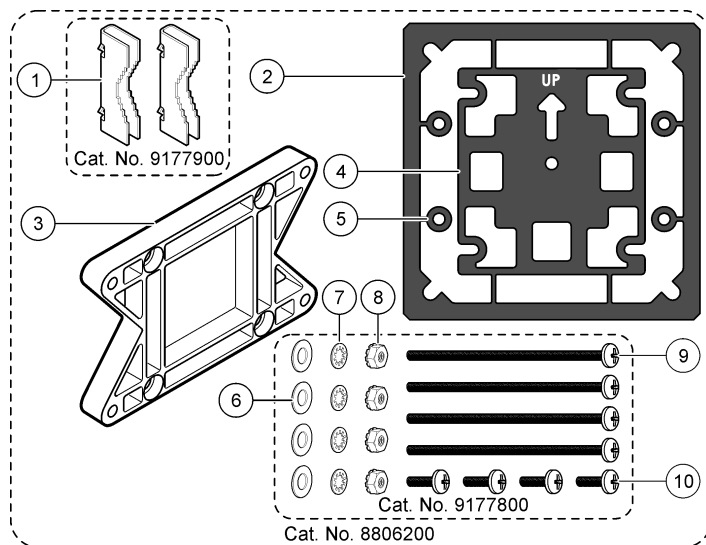
Perigo de danos pessoais. As tarefas descritas neste capítulo do manual devem ser efectuadas apenas por pessoal qualificado.

O controlador pode ser instalado numa superfície, num painel ou num tubo (horizontal ou vertical). Para obter opções e instruções sobre montagem, consulte [Figura 2](#), [Figura 3](#) na página 143, [Figura 4](#) na página 144, [Figura 5](#) na página 145 e [Figura 6](#) na página 146.

Para efectuar a montagem na horizontal, é necessário prender o suporte de montagem ([Figura 2](#)) ao suporte de montagem numa posição vertical.

Para efectuar a montagem na horizontal e na vertical, fixe o suporte de montagem no controlador, tal como indicado em [Figura 5](#) na página 145.

Figura 2 Componentes de montagem



1 Suporte de montagem (2)	6 Anilha lisa, ID de ¼ de polegada (4)
2 Junta de estanqueidade para a montagem do painel, em neopreno	7 Anilha de segurança, ID de ¼ de polegada (4)
3 Suporte para montagem na parede e na vertical	8 Porca sextavada Keps M5 x 0,8 (4)
4 Junta de isolamento contra vibrações para montagem na vertical	9 Parafusos de cabeça plana, M5 x 0,8 x 100 mm (4) (Utilizados para instalações de montagem na vertical, com diâmetro variável)
5 Anilha de isolamento contra vibrações para montagem na vertical (4)	10 Parafusos de cabeça plana, M5 x 0,8 x 15 mm (4)

Nota: Existe um suporte para montagem em painel disponível como acessório opcional.

Montagem do controlador

Figura 3 Dimensões de montagem na superfície

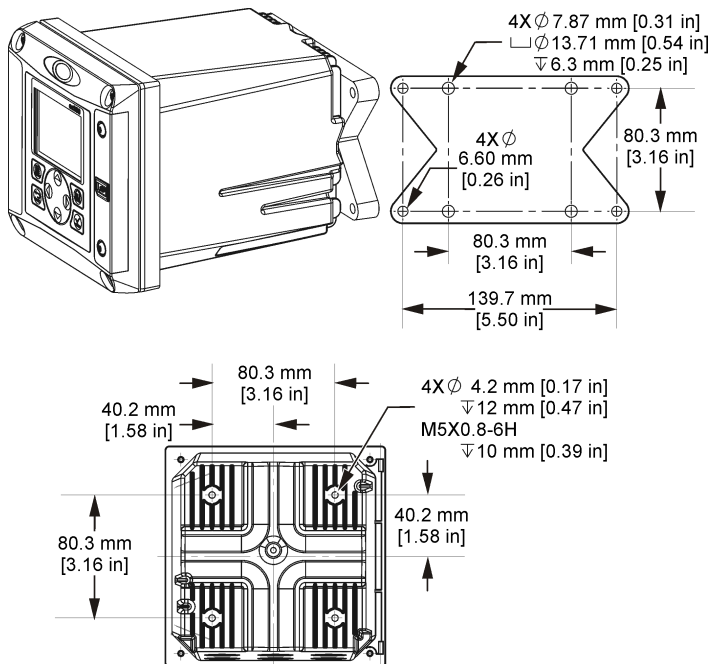
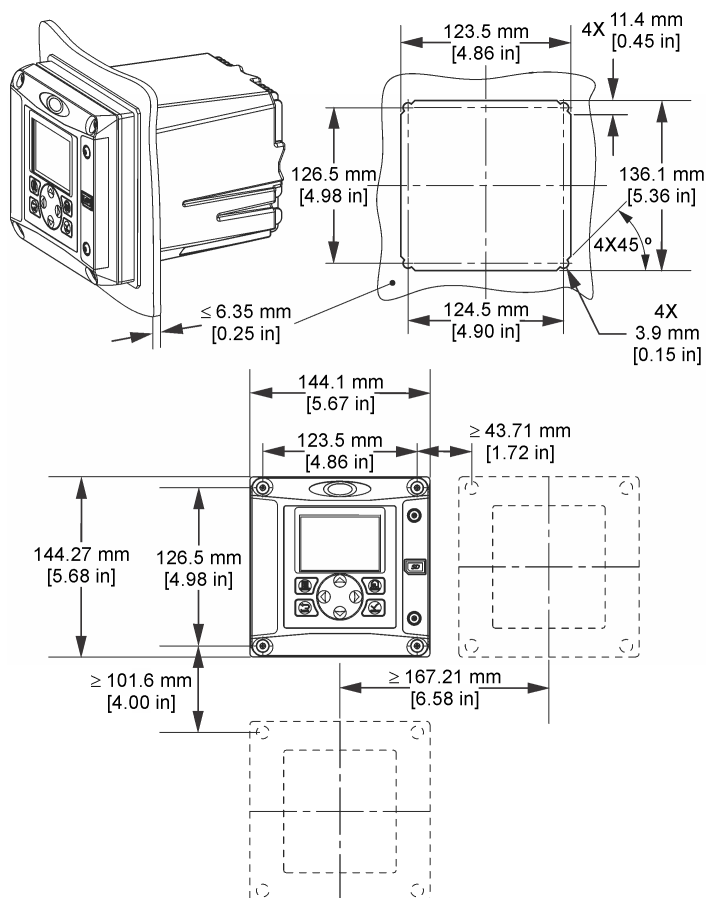


Figura 4 Dimensões de montagem em painel



Nota: Se utilizar o suporte (opcional) para a montagem em painel, empurre o controlador através do orifício do painel e faça deslizar o suporte sobre o controlador na parte de trás do painel. Utilize os quatro parafusos de cabeça redonda de 15 mm (fornecidos) para fixar o suporte ao controlador e fixe o controlador ao painel.

Figura 5 Montagem em tubo (tubo vertical)

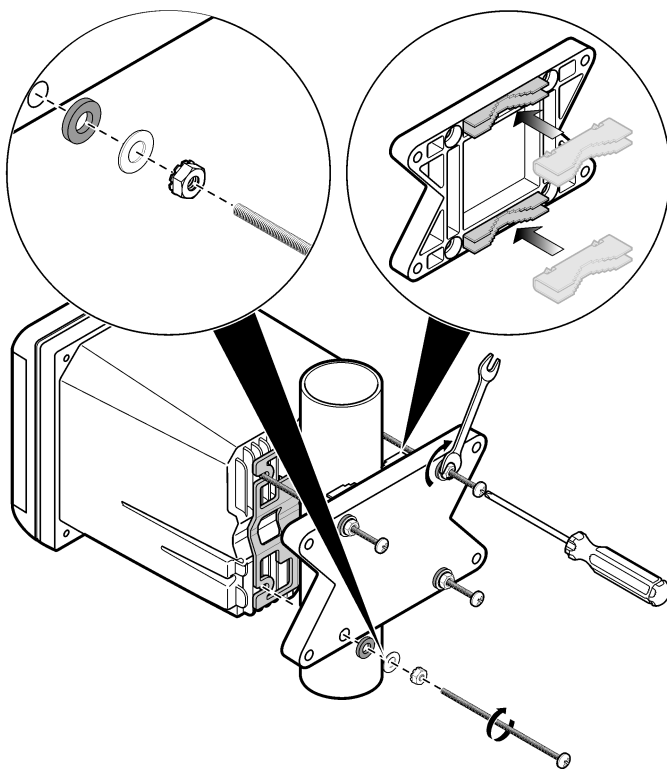
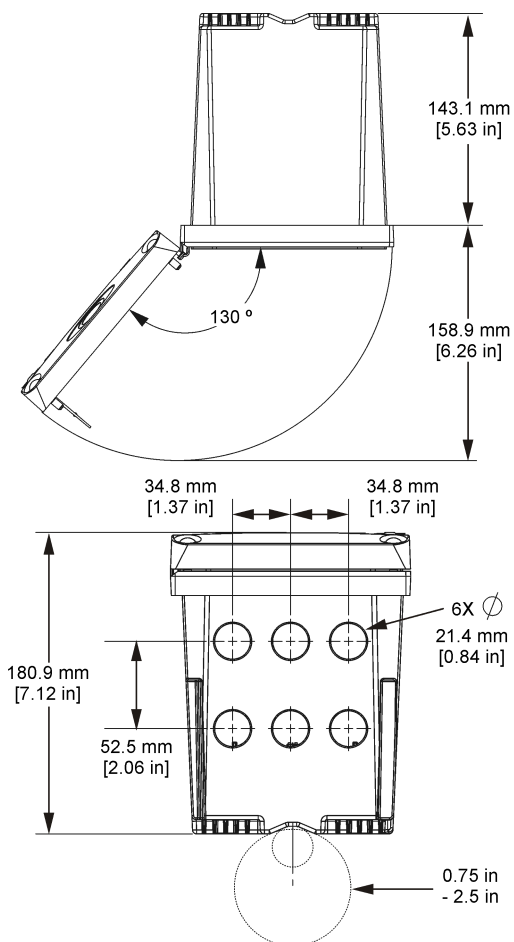


Figura 6 Vista de cima e de baixo



Barreira de alta tensão

A cablagem de alta tensão para o controlador encontra-se por trás da barreira de alta tensão na estrutura do controlador. A barreira deve permanecer no local excepto quando instalar módulos, ou quando um técnico de instalação qualificado estiver a ligar a potência, alarmes ou relés. Não retire a barreira quando estiver a ser aplicada potência ao controlador.

Considerações sobre descargas electrostáticas (ESD)

ATENÇÃO



Danos no instrumento potencial. Os componentes electrónicos internos sensíveis podem ser danificados através de electricidade estática, provocando um desempenho reduzido ou uma eventual falha.

Siga os passos indicados neste procedimento para evitar danos de ESD no instrumento:

- Toque numa superfície metálica de ligação à terra, tal como o chassis de um instrumento, uma conduta ou tubo de metal para descarregar a electricidade estática do corpo.

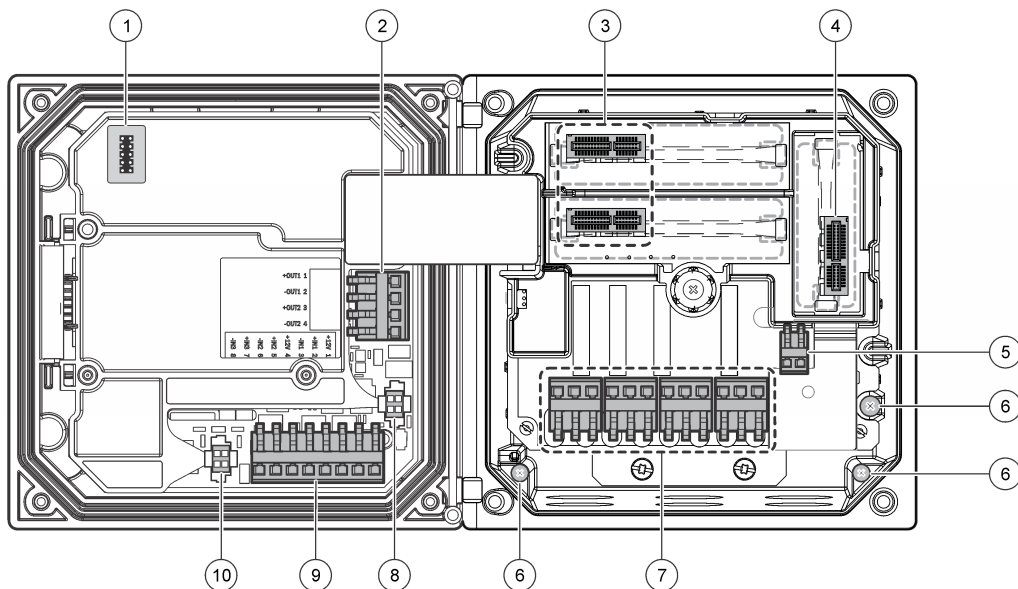
- Evite movimentos bruscos. Transporte componentes estáticos sensíveis em contentores ou embalagens anti-estáticos.
- Use uma pulseira anti-estática ligada por um fio à terra.
- Trabalhe num local sem energia estática com tapetes de protecção anti-estática e tapetes para bancadas de trabalho.

Descrição geral da cablagem

Figura 7 mostra uma visão geral das ligações de cablagem dentro do controlador com a barreira de alta tensão removida. O lado esquerdo da figura mostra a parte de trás da tampa do controlador.

Nota: Remova as capas do conector antes de proceder à instalação do módulo.

Figura 7 Descrição geral das ligações de cablagem



1 Ligação do cabo de serviço	5 Conector de alimentação CA e CC ¹	9 Conector dos fios da entrada discreta ¹
2 Saída de 4 a 20 mA ¹	6 Terminais de ligação à terra	10 Conector do sensor digital ¹
3 Conector do módulo do sensor	7 Ligações dos relés ¹	
4 Conector do módulo de comunicação (por exemplo, Modbus, Profibus, HART, módulo 4-20 mA opcional, etc.)	8 Conector do sensor digital ¹	

¹ Para um melhor acesso, os terminais podem ser removidos.

Ligação à corrente

⚠ ADVERTÊNCIA



Perigo potencial de electrocussão. Desligue sempre a energia do instrumento quando efectuar ligações eléctricas.

⚠️ ADVERTÊNCIA



Perigo potencial de electrocussão. Caso este equipamento seja usado no exterior ou em locais potencialmente húmidos, deve ser utilizado um dispositivo **Interruptor de falha de terra** para ligar o equipamento à sua fonte de potência principal.

⚠️ PERIGO



Perigo de electrocussão. Não ligue a potência AC a um modelo que trabalha com 24 VDC.

⚠️ ADVERTÊNCIA



Perigo potencial de electrocussão. Uma ligação terra (PE) de protecção é necessária para ambas as aplicações de fio 100-240 VAC e 24 VDC. A falha de ligação a uma boa ligação terra PE pode resultar em choques perigosos e desempenho fraco devido a interferências electromagnéticas. Ligue SEMPRE o terminal de controlo a uma boa ligação terra PE.

ATENÇÃO

Instale o dispositivo num local e posição que dê acesso fácil ao dispositivo de desligar e o seu funcionamento.

O controlador pode ser adquirido como um modelo com capacidade de 100-240 VCA ou de 24 VCC. Siga as instruções de cablagem adequadas para o modelo adquirido.

O controlador pode ser ligado à corrente eléctrica através de acessórios de ligação ou de um cabo de alimentação. Seja qual for o fio utilizado, as ligações são efectuadas nos mesmos terminais. É necessário um sistema de desactivação local concebido para cumprir o código eléctrico local e deve estar identificado para todos os tipos de instalação. Nas aplicações ligadas por cabos, as quebras do serviço de potência e terra para o instrumento devem ser de 18 a 12 AWG.

Notas:

- Antes de efectuar quaisquer ligações eléctricas, é necessário remover a barreira de tensão. Depois de efectuar todas as ligações, coloque de novo a barreira de tensão antes de fechar a tampa do controlador.
- Pode ser utilizado um redutor de tensão tipo selagem e um cabo de alimentação com menos de 3 metros de comprimento com três condutores de 18 (incluindo um fio de terra de segurança) para manter a classificação ambiental de NEMA 4X/IP66.
- Os controladores podem ser encomendados com cabos de alimentação CA previamente instalados. Podem ser igualmente encomendados cabos de alimentação adicionais.
- A fonte de alimentação CC que fornece energia ao controlador com alimentação de 24 VCC deve manter a regulação da tensão dentro dos limites de tensão de 24 VCC-15% +20% especificados. A fonte de alimentação CC deve também fornecer uma protecção adequada contra sobrecargas e transitórios na linha.

Procedimento de cablagem

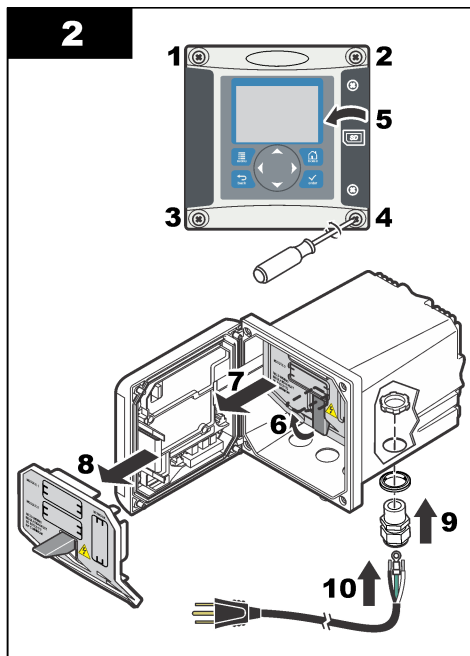
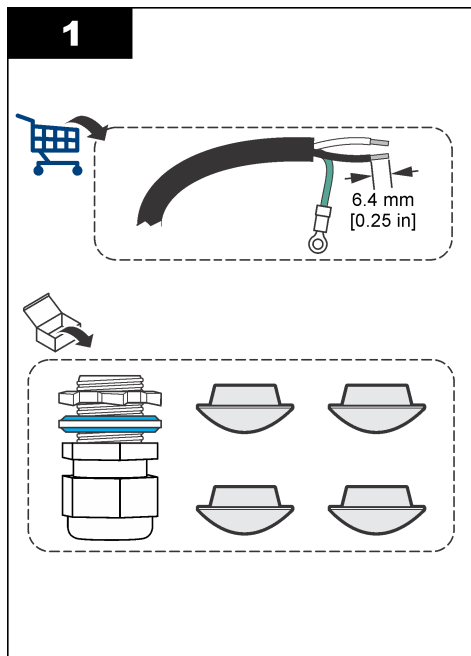
Consulte os passos ilustrados que se seguem e [Tabela 1](#) ou [Tabela 2](#) para ligar o sensor à alimentação. Insira cada fio ao terminal adequado até o isolamento entrar em contacto com o conector e sem fios descarnados expostos. Puxe suavemente após a inserção para se certificar que a ligação é segura. Vede quaisquer aberturas não usadas na caixa do controlador com as tampas de enchimento da abertura das ligações.

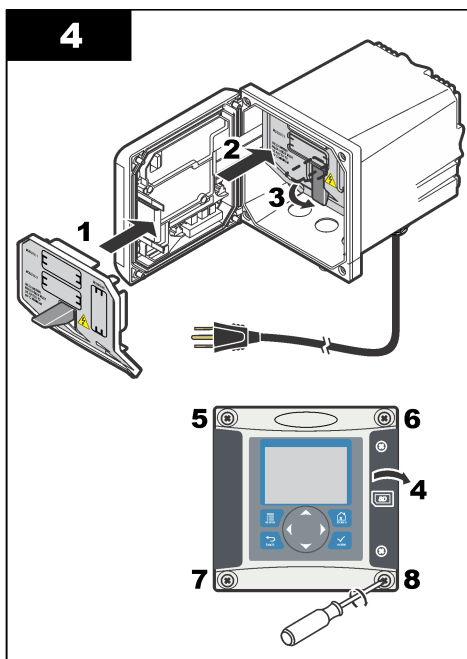
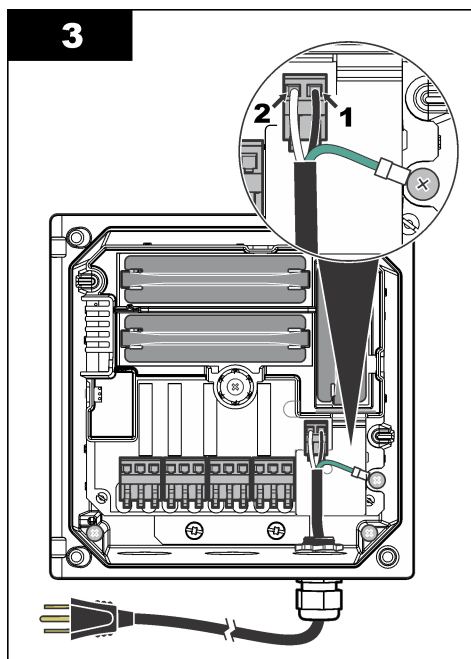
Tabela 1 Informações sobre ligação à corrente CA (apenas para modelos com alimentação AC)

Terminal	Descrição	Cor—América do Norte	Cor—EU
1	Quente (L1)	Preto	Castanho
2	Neutro (N)	Branco	Azul
—	Lingueta de terra da ligação à terra de protecção (PE)	Verde	Verde com faixa amarela

Tabela 2 Informações sobre ligação à corrente CC (apenas para modelos com alimentação CC)

Terminal	Descrição	Cor—América do Norte	Cor—EU
1	+24 V CC	Vermelho	Vermelho
2	Retorno de 24 V CC	Preto	Preto
—	Lingueta de terra da ligação à terra de protecção (PE)	Verde	Verde com faixa amarela





Alarmes e relés

O controlador está equipado com quatro relés de pólos simples, sem potência, com uma tensão que varia entre 100 e 250 V AC, 50/60 Hz e uma resistência máxima de 5 amps. Os contactos têm uma tensão de 250 V AC, uma resistência máxima de 5 amps para o controlador com alimentação AC e 24 V DC e uma resistência máxima de 5 A para o controlador com alimentação DC. Os relés não são adequados para cargas indutivas.

Relés de ligação

⚠ ADVERTÊNCIA



Perigo potencial de electrocussão. Desligue sempre a energia do instrumento quando efectuar ligações eléctricas.

⚠ ADVERTÊNCIA



Perigo potencial de incêndio. Os contactos do relé têm uma potência de 5 A e não estão ligados. As cargas externas ligadas aos relés devem ter dispositivos de limitação de corrente fornecidos para limitar uma corrente para < 5 A.

⚠ ADVERTÊNCIA



Perigo potencial de incêndio. Não efectue ligações de relé comuns ou fios de ligação provisória à corrente eléctrica dentro do instrumento.

⚠ ADVERTÊNCIA



Perigo potencial de electrocussão. Para manter as classificações ambientais NEMA/IP da estrutura, utilize apenas acessórios de ligação e caixas de empanque para cabos concebidos para, pelo menos, NEMA 4X/IP66 para encaminhar cabos para o instrumento.

Controladores com alimentação de linha CA (100—250 V)

O compartimento de ligação não foi concebido para montagens de tensão superiores a 250 VCA.

Controladores com alimentação de 24 VCC

⚠ ADVERTÊNCIA



Perigo potencial de electrocução. Os controladores com alimentação de corrente CA sc200 (115 V–230 V) foram concebidos para ligações de relés a circuitos de corrente CA (i.e., tensões superiores a 16 V-RMS, 22,6 V-PEAK ou 35 V CC).

⚠ ADVERTÊNCIA



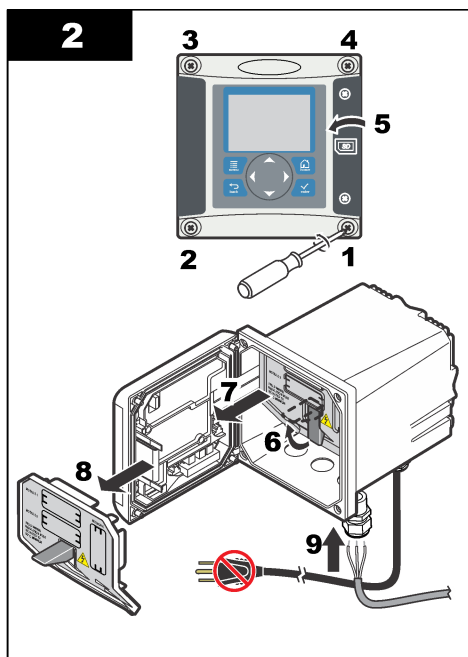
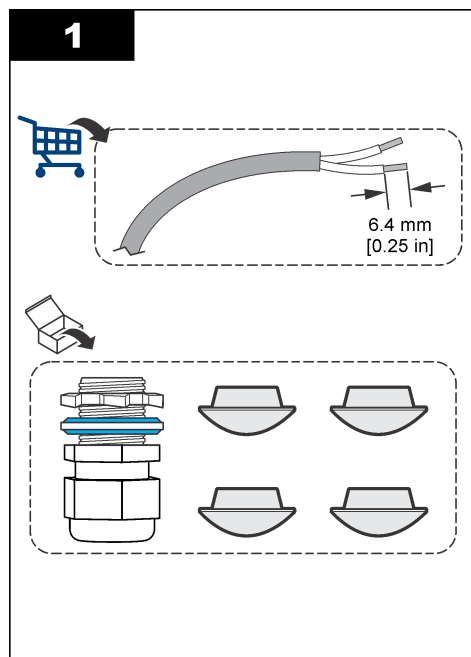
Perigo potencial de electrocução. Os controladores com alimentação de corrente de 24 V p foram concebidos para ligações de relés a circuitos de baixa tensão (i.e., tensões inferiores a 16 V-RMS, 22,6 V-PEAK ou 35 V CC).

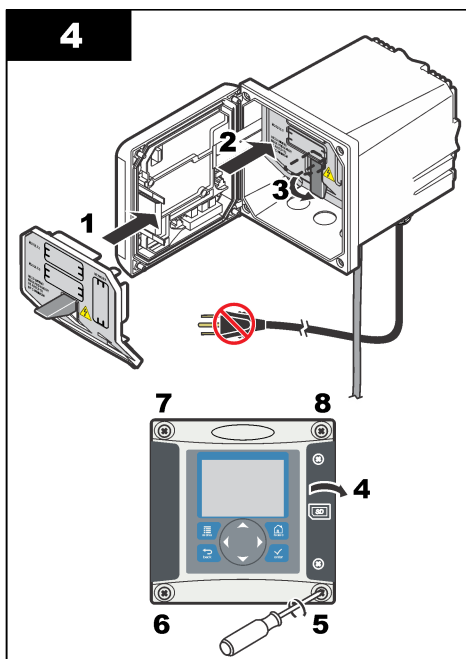
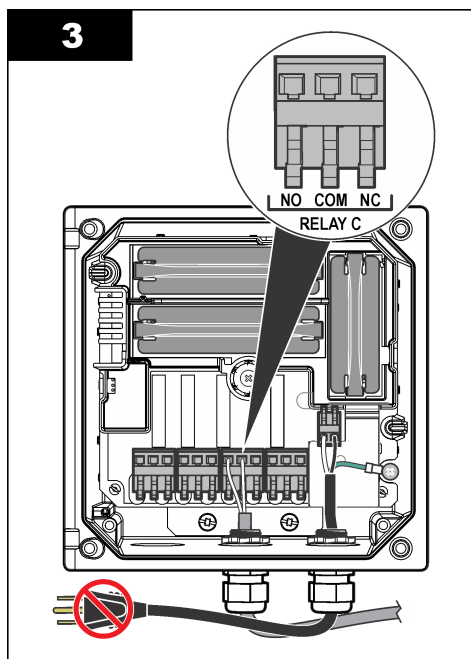
Os relés do controlador de 24 VDC foram concebidos para ligação a circuitos de baixa tensão (isto é, tensões inferiores a 30 V-RMS, 42,2 V-PEAK ou 60 VDC). O compartimento de ligação não foi concebido para montagens em tensão superiores a estes valores.

O conector de relé aceita fios de 18-12 AWG (como determinado pela aplicação de carga). Não é recomendada uma espessura de fio inferior a 18 de acordo com a tabela de AWG.

Os contactos de relé Normalmente aberto (NO) e Comum (COM) serão ligados quando um alarme ou outra condição estiver activa. Os contactos de relé Normalmente fechado (NC) e Comum serão ligados quando um alarme ou outra condição estiver inactiva (a menos que o Sistema à prova de falhas esteja definido para Sim) ou quando a alimentação é removida do controlador.

A maioria das ligações de relé utilizam terminais NO e COM ou os terminais NC e COM. Os passos da instalação numerada mostram a ligação aos terminais NO e COM.





Ligações de saída analógica

⚠ ADVERTÊNCIA



Perigo potencial de electrocussão. Desligue sempre a energia do instrumento quando efectuar ligações eléctricas.

⚠ ADVERTÊNCIA



Perigo potencial de electrocussão. Para manter as classificações ambientais NEMA/IP da estrutura, utilize apenas acessórios de ligação e caixas de empanque para cabos concebidos para, pelo menos, NEMA 4X/IP66 para encaminhar cabos para o instrumento.

São fornecidas duas saídas analógicas isoladas (1 e 2) (Figura 8). Estas saídas são normalmente utilizadas para sinalização analógica ou controlar outros dispositivos externos.

Efectue as ligações de fios do controlador, tal como indicado em Figura 8 e em Tabela 3.

Nota: Figura 8 mostra a parte de trás da tampa do controlador e não o interior do compartimento do controlador principal.

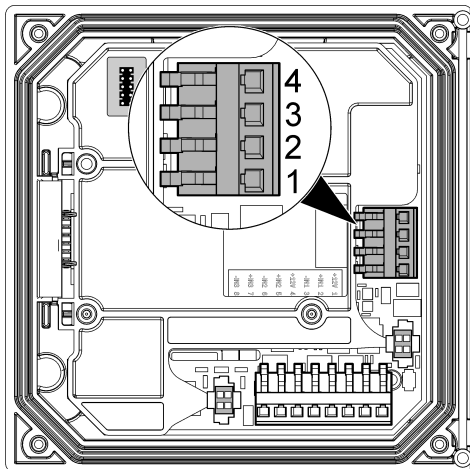
Tabela 3 Ligações de saída

Fios do gravador	Posição da placa do circuito
Saída 2-	4
Saída 2+	3
Saída 1-	2
Saída 1+	1

1. Abra a tampa do controlador.
2. Direcione os fios através do redutor de tensão.
3. Ajuste o fio conforme necessário e aperte o redutor de tensão.

4. Faça as ligações com o fio blindado de par trançados e ligue a blindagem à extremidade do componente controlado ou na extremidade do circuito de comando.
 - Não ligue a blindagem a ambas as extremidades do cabo.
 - A utilização de cabos não blindados pode resultar em níveis de emissão de frequência de rádio ou de susceptibilidade superiores ao permitido.
 - A resistência máxima de ciclo é de 500 ohm.
5. Feche a tampa do controlador e aperte os parafusos da tampa.
6. Configure as saídas no controlador.

Figura 8 Ligações de saída analógica



Ligações das entradas digitais

⚠ ADVERTÊNCIA



Perigo potencial de electrocussão. Desligue sempre a energia do instrumento quando efectuar ligações eléctricas.

⚠ ADVERTÊNCIA



Perigo potencial de electrocussão. Para manter as classificações ambientais NEMA/IP da estrutura, utilize apenas acessórios de ligação e caixas de empanque para cabos concebidos para, pelo menos, NEMA 4X/IP66 para encaminhar cabos para o instrumento.

São fornecidas três entradas digitais para entradas de fecho do interruptor ou entradas de nível lógico de tensão. Efectue as ligações e configure as definições da ligação em ponte ao controlador, conforme indicado em [Figura 9](#), [Tabela 4](#) e [Figura 10](#).

Nota: [Figura 9](#) mostra a parte de trás da tampa do controlador e não o interior do compartimento do controlador principal.

Figura 9 Ligações das entradas digitais

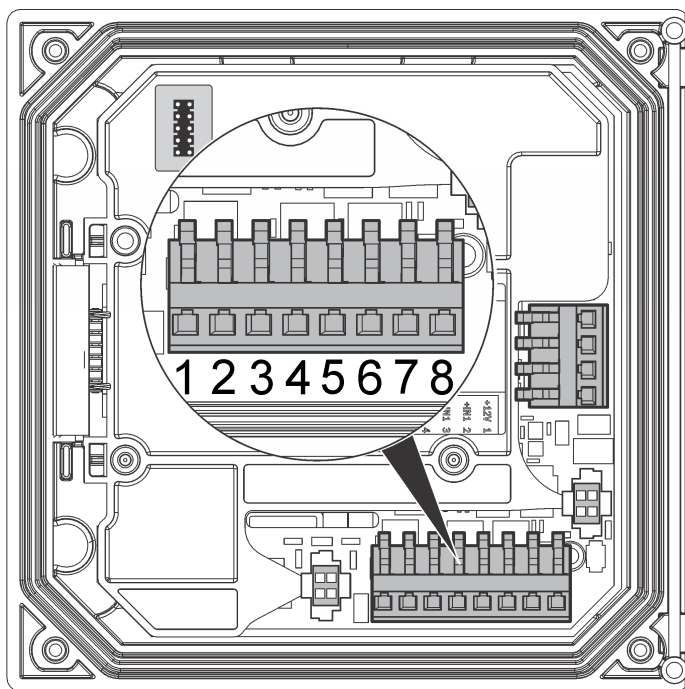
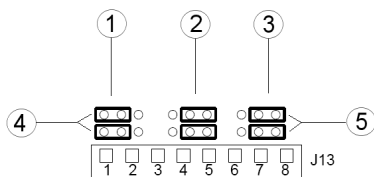


Tabela 4 Ligações das entradas

Ligações digitais	Posição do conector - Entrada do interruptor	Posição do conector - Entrada de tensão
Entrada 1+	3	2
Entrada 1-	2	3
Entrada 2+	6	5
Entrada 2-	5	6
Entrada 3+	8	7
Entrada 3-	7	8

Figura 10 Definições da ligação em ponte



1 Entrada 1 - configuração de ligações em ponte	4 Ligações em ponte posicionadas à esquerda para entradas do interruptor
2 Entrada 2 - configuração de ligações em ponte	5 Ligações em ponte posicionadas à direita para entradas de tensão
3 Entrada 3 - configuração de ligações em ponte	

1. Abra a tampa do controlador.
2. Passe os fios pelo prensa-cabos.
3. Ajuste o fio conforme necessário e aperte o prensa-cabos.
4. As ligações em ponte estão posicionadas imediatamente atrás do conector. Retire o conector para obter um melhor acesso às ligações em ponte e configure as definições da ligação em ponte de acordo com o tipo de entrada, conforme indicado em [Figura 10](#).
5. Feche a tampa do controlador e aperte os parafusos da tampa.
6. Configure as entradas no controlador.

Nota: No modo de **entrada do interruptor**, o controlador fornece 12 volts ao interruptor e não é isolado do controlador. No modo de **entrada de tensão**, as entradas são isoladas do controlador (tensão de entrada do utilizador de 0 a 30 volts).

Ligue um sensor sc digital

Nota: Para ligar um sensor analógico, consulte as instruções fornecidas no manual do módulo ou sensor.

Um sensor sc digital pode ser ligado ao controlador utilizando o encaixe de ligação rápida incorporado ([Figura 11](#)). Pode ser ligado um sensor digital ao controlador ligado ou desligado.

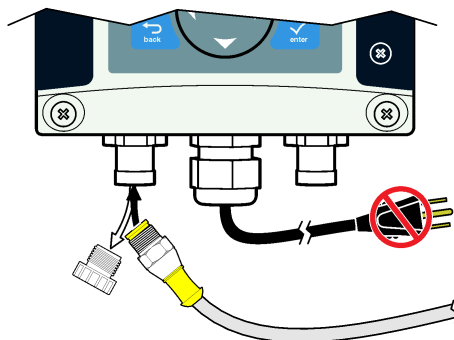
Quando um sensor é ligado a um controlador ligado, o controlador não efectua uma verificação automática do dispositivo. Para fazer com que o controlador efectue uma pesquisa do dispositivo, navegue para o menu Teste/Manutenção e seleccione Verificar dispositivos. Se for encontrado um novo dispositivo, o controlador efectua o processo de instalação sem ser necessária qualquer intervenção por parte do utilizador.

Quando um sensor é ligado a um controlador desligado, o controlador efectua uma verificação do dispositivo quando for ligado novamente. Se for encontrado um novo dispositivo, o controlador efectua o processo de instalação sem ser necessária qualquer intervenção por parte do utilizador.

Retenha a tampa do conector para selar a abertura do conector no caso de ter de se remover o sensor.

Figura 11 Ligação rápida do sensor digital

1.



Ligue a saída de comunicação digital opcional

O fabricante suporta os protocolos de comunicação Modbus RS485, Modbus RS232, Profibus DPV1 e HART. O módulo de saída digital opcional está instalado na localização indicada pelo item 4 em [Figura 7](#) na página 147. Para mais informações, consulte as instruções fornecidas com o módulo de rede.

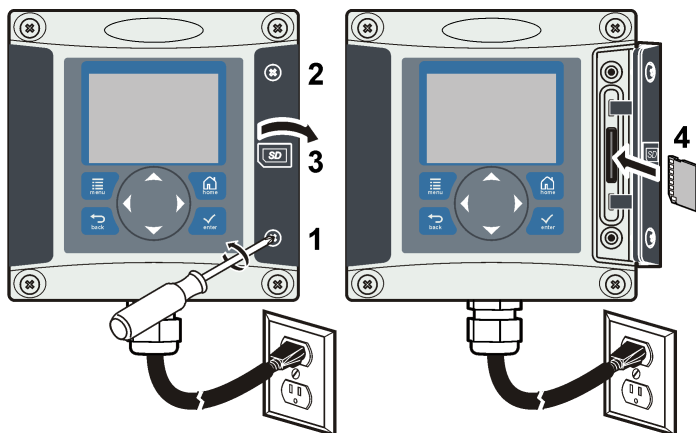
Para obter mais informações acerca de Registos Modbus, vá a <http://www.hach-lange.com> ou <http://www.hach.com> e pesquise *Registos Modbus* ou vá a qualquer página do produto sc200.

Instale um cartão de memória Secure Digital (SD)

Para obter instruções sobre como instalar um cartão SD no controlador, consulte [Figura 12](#). Pode encontrar informações sobre como utilizar o cartão SD na versão completa deste manual.

Para remover um cartão SD, pressione a extremidade do cartão para baixo e liberte-a e depois puxe o cartão para cima e para fora da ranhura. Depois de remover o cartão, feche a tampa da ranhura e aperte os parafusos da tampa.

Figura 12 Instalação do cartão SD

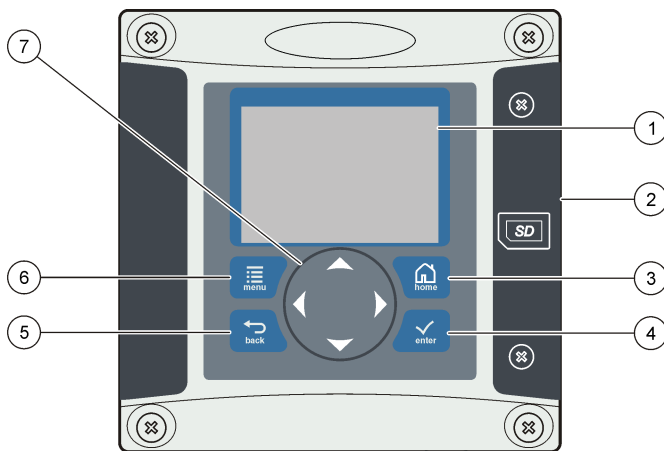


Interface do utilizador e navegação

Interface do utilizador

O teclado tem quatro teclas de menu e quatro setas de direcção, tal como indicado em [Figura 13](#).

Figura 13 Visão geral do teclado e do painel frontal



1 Ecrã do instrumento	5 Tecla VOLTAR . Retrocede um nível na estrutura do menu.
2 Tampa da ranhura do cartão Secure Digital Memory	6 Tecla MENU . Muda para o Menu de configurações a partir de outros ecrãs e submenus.
3 Tecla INÍCIO . Muda para o ecrã Medição principal de outros ecrãs e submenus.	7 Teclas de direcção. Utilizado para navegar pelos menus, alterar definições e aumentar ou diminuir dígitos.
4 Tecla ENTER . Aceita valores introduzidos, actualizações ou opções de menu apresentadas.	

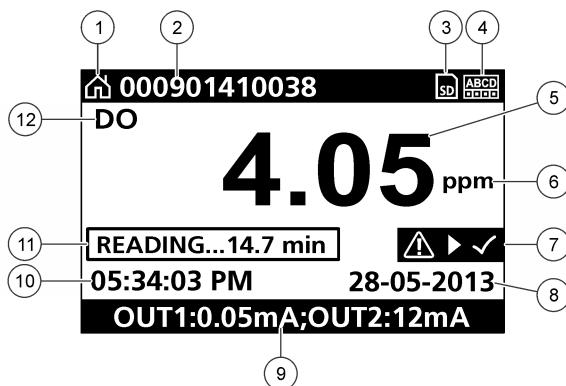
As entradas e saídas são especificadas e configuradas através do painel frontal utilizando o teclado e o ecrã. Esta interface de utilizador é utilizada para configurar entradas e saídas, criar informações de registo e valores calculados, bem como calibrar sensores. A interface SD pode ser utilizada para guardar registos e actualizar software.

Ecrã

[Figura 14](#) mostra um exemplo do ecrã de medição principal com um sensor DO sensor ligado ao controlador.

O ecrã do painel frontal mostra os dados de medição do sensor, definições de calibração e configuração, erros, avisos e outras informações.

Figura 14 Exemplo do ecrã de medição principal



1 Ícone do ecrã inicial	7 Barra de estado de aviso
2 Nome do sensor	8 Data
3 Ícone do cartão de memória SD	9 Valores de saída analógicos
4 Indicador do estado do relé	10 Hora
5 Valor de medição	11 Barra de progresso
6 Unidade de medição	12 Parâmetros de medição

Tabela 5 Descrições dos ícones

Ícone	Descrição
Ecrã inicial	O ícone pode variar, dependendo do ecrã ou menu apresentado. Por exemplo, se estiver instalado um cartão SD, é apresentado aqui um cartão SD quando o utilizador está no menu Config. do cartão SD.
Cartão de memória SD	Este ícone só é apresentado se estiver um cartão SD na ranhura do leitor. Quando um utilizador se encontra no menu Config. do cartão SD, este ícone é apresentado no canto superior esquerdo.
Aviso	Um ícone de aviso consiste num ponto de exclamação dentro de um triângulo. Os ícones de aviso aparecem à direita do ecrã principal, por baixo do valor de medição. Prima a tecla ENTER e, de seguida, seleccione o dispositivo para visualizar quaisquer problemas associados ao mesmo. O ícone de aviso deixa de ser apresentado uma vez que todos os problemas tenham sido corrigidos ou confirmados.
Erro	Um ícone de erro consiste num ponto de exclamação dentro de um círculo. Quando ocorre um erro, o ícone de erro e o ecrã de medição piscam de forma alternada no ecrã principal. Para visualizar os erros, prima a tecla MENU e seleccione Diagnostics (diagnósticos). De seguida, seleccione o dispositivo para visualizar quaisquer problemas associados ao mesmo.

Formatos de visualização adicionais

- A partir do ecrã de medição principal, pressione as teclas de seta **PARA CIMA** e **PARA BAIXO** para alternar entre os parâmetros de medição
- A partir do ecrã de medição principal, pressione a tecla de seta **PARA A DIREITA** para mudar para uma visualização dividida com até 4 parâmetros de medição. Pressione a tecla de seta **PARA A DIREITA** para incluir medições adicionais. Pressione a tecla de seta **PARA A ESQUERDA**, conforme necessário, para regressar ao ecrã de medição principal
- A partir do ecrã de medição principal, pressione a tecla de seta **PARA A ESQUERDA** para mudar para a visualização gráfica (consulte [Visualização gráfica](#) na página 159 para definir os parâmetros). Pressione as teclas **PARA CIMA** e **PARA BAIXO** para alternar entre gráficos de medição

Visualização gráfica

O gráfico demonstra as medições de temperatura e concentração para cada canal em utilização. O gráfico permite uma fácil monitorização das tendências e mostra as alterações no processo.

1. A partir do ecrã de visualização gráfica utilize as setas para cima e para baixo para seleccionar um gráfico e pressione a tecla **HOME**.
2. Selecciona uma opção:

Opção	Descrição
MEASUREMENT VALUE (VALOR DA MEDIÇÃO)	Defina o valor de medição do canal seleccionado. Selecciona entre Auto Scale (Dim. Auto) e Manually Scale (Dimens. Manual). Para um dimensionamento manual introduza os valores mínimo e máximo de medição
DATE & TIME RANGE (INTERVALO DATA/HORA)	Selecciona o intervalo de data e hora a partir das opções disponíveis

Arranque do sistema

Durante o arranque inicial, os ecrãs Idioma, Formato e Data/Hora são apresentados por ordem. Depois destas opções serem definidas, o controlador efectua uma verificação do dispositivo e é apresentada a mensagem **Verificando dispositivos. Aguarde...** Se for encontrado um novo dispositivo, o controlador efectua o processo de instalação antes de apresentar o ecrã de medição principal.

Se a verificação encontrar dispositivos instalados anteriormente sem alterações de configuração, o ecrã de medição principal do dispositivo na primeira posição é apresentado imediatamente após a conclusão da verificação.

Se um dispositivo tiver sido removido do controlador ou não for encontrado durante a próxima verificação de ciclo de energia ou controlada por menu, o controlador apresenta a mensagem **Dispositivo ausente** e solicita para eliminar o dispositivo em falta.

Se não estiver ligado nenhum sensor a um módulo analógico instalado, o controlador apresenta uma mensagem de erro. Se estiverem ligados dispositivos mas não forem encontrados pelo controlador, consulte [Resolução de problemas](#) na página 161.

Definir o idioma, a data e a hora pela primeira vez

O controlador apresenta os ecrãs de edição de idioma, data e hora quando o equipamento é ligado pela primeira vez e quando é ligado depois das definições de segurança terem sido repostas para os respectivos valores predefinidos.

Depois das opções de idioma, data e hora serem definidas pela primeira vez, deve actualizar as opções conforme necessário através do menu configuração do sc200.

1. No ecrã Idioma, selecciona um idioma na lista de opções e prima a tecla **ENTER**. O idioma predefinido do controlador é o inglês.
O idioma seleccionado é guardado. É apresentado o ecrã Formato de data.
2. No ecrã Formato de data, selecciona um formato e prima a tecla **ENTER**.
O formato de data e hora é guardado. Em seguida, é apresentado o ecrã Data/Hora.
3. No ecrã Data/Hora, prima as teclas de setas **DIREITA** ou **ESQUERDA** para seleccionar um campo e depois prima as teclas de setas **PARA CIMA** e **PARA BAIXO** para actualizar o valor no campo. Actualize os outros campos conforme necessário.
4. Prima a tecla **ENTER**.
As alterações são guardadas e o controlador efectua uma verificação de arranque dos dispositivos. Se forem encontrados dispositivos ligados, o controlador apresenta o ecrã de medição principal para o dispositivo na posição número um. Se o controlador não conseguir encontrar os dispositivos ligados, consulte [Resolução de problemas](#) na página 161.

Informações sobre a configuração do controlador

As informações gerais sobre opções de configuração estão indicadas na tabela.

1. Para navegar para as opções do menu, no menu Configurações, seleccione Config. do sc200.

Opção	Descrição
Configuração de segurança	Define as preferências do código secreto.
Configuração das saídas	Configura as saídas analógicas do controlador
Configuração dos relés	Configura os relés do controlador
Configuração do ecrã	Configura o ecrã do controlador
Definir data/hora	Define a data e a hora do controlador
Configuração do registo de dados	Configura as opções de registo de dados. Apenas disponível se a opção Calculation (Cálculo) tiver sido configurada.
Gerir dados	Selecciona o dispositivo a partir da lista de componentes instalados para visualizar o registo de eventos ou dados.
Modo de manutenção de erros	Mantém saídas —Mantém saídas no último valor conhecido quando o controlador perde comunicação com o sensor. Transferir saídas —Muda para o modo de transferência quando o controlador perde comunicação com o sensor. As saídas são transferidas para um valor predefinido.
Cálculo	Configura a função matemática do controlador
Informações sobre o sc200	VER S/W: —Mostra a versão actual do software do controlador VERS Bootloader: —Mostra a versão actual do Bootloader. O Bootloader é um ficheiro que carrega o sistema operativo principal para o controlador N/S: —Mostra o número de série do controlador Versão: —Mostra a versão actual do hardware do controlador
Configuração da entrada digital	Configura três canais de entrada digital
Idioma	Atribui o idioma utilizado no controlador

2. Seleccione uma opção e prima **ENTER** para activar o item de menu.

Manutenção

▲ AVISO



Vários perigos. Apenas pessoal qualificado deverá realizar as tarefas descritas nesta secção do documento.

Limpar o controlador

▲ PERIGO



Desligue sempre a alimentação do controlador antes de efectuar as actividades de manutenção.

Nota: Nunca utilize solventes inflamáveis ou corrosivos para limpar qualquer peça do controlador. Utilizar estes solventes pode degradar a protecção ambiental da unidade e anular a garantia.

1. Certifique-se de que a tampa do controlador está bem fechada.
2. Limpe o exterior do controlador com um pano humedecido com água ou com uma mistura de água e um detergente suave.

Resolução de problemas

Problema	Resolução
Sem saída de corrente	Verifique a configuração de saída de corrente.
	Teste o sinal de saída de corrente com o submenu Teste/Manutenção. Introduza um valor de corrente e verifique o sinal de saída nas ligações do controlador.
	Contacte o Apoio Técnico.
Saída de corrente incorrecta	Verifique a configuração de saída de corrente.
	Teste o sinal de saída de corrente com o submenu Teste/Manutenção. Introduza um valor de corrente e verifique o sinal de saída nas ligações do controlador. Se a saída estiver incorrecta, efectue uma calibragem de saída.
Sem activação de relé	Certifique-se de que as ligações de relé estão seguras.
	Se utilizar uma fonte de alimentação externa, certifique-se de que a ligação dos relés é correcta.
	Certifique-se de que a configuração dos relés é correcta.
	Teste a activação dos relés com o menu Teste/Manutenção. O relé deve receber e perder energia, tal como seleccionado.
	Certifique-se de que o controlador não está no modo de calibragem e que o relé não está a ser mantido.
	Reponha o Temporizador de alimentação excessiva para certificar-se de que o temporizador não expirou.
O cartão Secure Digital Memory (SD) não foi reconhecido pelo controlador	Certifique-se de que o cartão SD está devidamente orientado. Os fios de cobre devem estar virados para o ecrã do controlador.
	Certifique-se de que o cartão SD está totalmente inserido na ranhura e que a patilha da mola está presa.
	Certifique-se de que o cartão SD está devidamente formatado com um formato Fat 32. O formato MMC não é suportado. Siga as instruções indicadas pelo fabricante do cartão para formatar o cartão SD num PC.
	Certifique-se de que o cartão não tem uma capacidade superior a 32 GB.
	Certifique-se de que utiliza um cartão SD. Outros tipos de cartões (como os xSD, micro SD, mini SD) não funcionam correctamente.
As informações não foram guardadas ou não foram guardadas correctamente no cartão SD.	Certifique-se de que o cartão SD está devidamente formatado com o formato Fat 32. O formato MMC não é suportado. Siga as instruções indicadas pelo fabricante do cartão para formatar o cartão SD num PC.
	Se o cartão SD já tiver sido utilizado anteriormente, formate-o com o formato Fat 32, coloque o cartão no controlador e transfira os ficheiros.
	Tente um cartão SD diferente.
Cartão SD cheio	Ler o cartão SD num PC ou em outro dispositivo de leitura de cartões. Guarde os ficheiros importantes e em seguida elimine alguns ou todos os ficheiros que se encontram no cartão SD.

Problema	Resolução
O controlador não conseguiu localizar actualizações de software no cartão SD.	Certifique-se de que cria uma pasta adequada quando instalar o cartão SD no controlador. Será criada automaticamente uma pasta de actualização.
	Instale o cartão SD num PC e certifique-se de que os ficheiros de software se encontram na pasta de actualizações adequada.
	Se for utilizado o mesmo cartão SD com vários controladores, cada controlador terá uma pasta diferente no sistema. Certifique-se de que as actualizações de software se encontram na pasta especificada para o controlador utilizado.
O ecrã acende-se, mas os caracteres não são apresentados ou aparecem esbatidos ou desfocados.	Ajustar o contraste do ecrã
	Certifique-se de que removeu a película de protecção do ecrã.
	Limpe a parte exterior do controlador, incluindo o ecrã.
O controlador não se liga ou liga-se intermitentemente	Certifique-se de que as ligações de corrente AC foram efectuadas correctamente no controlador.
	Certifique-se de que o cabo de alimentação, corrente eléctrica, tomada de parede estão ligados correctamente.
	Contacte o Apoio Técnico
O módulo de rede ou do sensor não foi reconhecido	Certifique-se de que o módulo foi instalado correctamente.
	Certifique-se de que o interruptor do selector de modo está definido para o número correcto.
	Remova o módulo do sensor e instale o módulo na segunda ranhura analógica. Ligue o controlador à corrente e deixe que o controlador efectue uma verificação do dispositivo.
	Contacte o Apoio Técnico.
O sensor não foi reconhecido <i>Nota: Exemplo de uma mensagem de ecrã possível: ****</i>	Se o sensor for um sensor analógico e estiver instalado um módulo correspondente no controlador, consulte as instruções fornecidas com o Módulo de rede ou do sensor.
	Certifique-se de que o cabo eléctrico do conector digital está colocado no interior do conjunto da porta e que o cabo eléctrico não está danificado.
	Se o sensor digital estiver ligado ao controlador com uma caixa de terminação digital, caixa de junção fornecida pelo utilizador, cabos de extensão digitais ou um cabo de extensão fornecido pelo utilizador, ligue o sensor directamente ao controlador e efectue uma verificação do dispositivo. Se o controlador reconhecer o sensor, verifique se todas as cablagens nas caixas de junção ou cabos de extensão estão correctas.
	Certifique-se de que estão instalados apenas dois sensores no controlador. Apesar de estarem instaladas duas portas de módulo analógicas, só é possível ver dois dos três dispositivos no controlador.
	Contacte o Apoio Técnico
É apresentada a mensagem de erro Dispositivo ausente	Efectue uma verificação do dispositivo através do menu Teste/Manutenção.
	Efectue um ciclo de energia do controlador

Obsah

Technické údaje na straně 163

Zahájení provozu na straně 184

Obecné informace na straně 164

Údržba na straně 185

Instalace na straně 167

Poruchy, jejich příčiny a odstraňování na straně 186

Uživatelské rozhraní a navigační tlačítka na straně 181

Doplňující informace

Doplňující informace jsou k dispozici na webových stránkách výrobce.

Technické údaje

Technické údaje podléhají změnám bez předchozího upozornění.

Technické parametry	Podrobnosti
Popis komponent	Mikroprocesorově řízený kontrolér ovládaný systémem nabídek, který ovládá senzor a zobrazuje naměřené hodnoty.
Provozní teplota	-20 až 60 °C (-4 až 140 F); 95% relativní vlhkost, bez kondenzace při zátěži senzoru <7 W; -20 až 50 °C (-4 až 104 F) při zátěži senzoru <28 W
Skladovací teplota	-20 až 70 °C (-4 až 158 F); 95% relativní vlhkost, bez kondenzace
Skříň ¹	Kovová skříň třídy NEMA 4X/IP66 s povrchovou úpravou proti korozi
Požadavky na napájení	Kontrolér napájený střídavým proudem: 100-240 V ±10%, 50/60 Hz; příkon 50 VA při zátěži senzorového/síťového modulu 7 W, 100 VA při zátěži senzorového/síťového modulu 28 W (volitelné síťové připojení Modbus, RS232/RS485, Profibus DPV1 nebo HART). Kontrolér napájený stejnosměrným proudem o napětí 24 V: 24 V—15%, + 20; příkon 15 W při zátěži senzorového/síťového modulu 7 W, 40 W při zátěži senzorového/síťového modulu 28 W (volitelné síťové připojení Modbus, RS232/RS485, Profibus DPV1 nebo HART).
Požadavky na nadmořskou výšku	Standardně 2 000 m (6 562 stop) nad mořem.
Kategorie stupně znečištění/instalace	Stupeň znečištění 2; kategorie instalace II
Výstupy	Dva analogové výstupy (0-20 mA nebo 4-20 mA). Každý analogový výstup může představovat měřený parametr, jako například pH, teplotu, průtok nebo vypočítané hodnoty. Volitelný modul obsahuje tři další analogové výstupy (celkem 5).
Relé	Čtyři uživatelem konfigurované kontakty SPDT jsou dimenzované na 250 VAC, max. 5 A u kontroléru na střídavý proud a na 24 VDC, max. 5 A u kontroléru na stejnosměrný proud. Relé se přiřazují přípojkám k obvodům vedení střídavého proudu (tj. když provozujete kontrolér s napájením 115 - 240 VAC) nebo obvodům stejnosměrného proudu (tj. když provozujete kontrolér s napájením 24 VDC).
Rozměry	1/2 DIN—144 x 144 x 180,9 mm (5,7 x 5,7 x 7,12 palce)
Hmotnost	1,7 kg (3,75 libry)
Informace o shodě ²	Schváleno CE (se všemi typy senzorů) Schváleno pro použití v obecných lokalitách s bezpečnostními standardy UL a CSA podle ETL (všechny typy senzorů). Určité modely napájené střídavým proudem uvádějí Underwriters Laboratories jako vhodné pro použití v obecně bezpečných prostředích podle UL a CSA bezpečnostních norem (se všemi typy senzorů).

Technické parametry	Podrobnosti
Digitální komunikace	Volitelné síťové připojení Modbus, RS232/RS485, Profibus DPV1 nebo HART pro přenos dat
Registátor dat	Karta SD (Secure Digital) s kapacitou max. 32 GB nebo speciální kabelový konektor RS232 pro protokolování dat a aktualizování softwaru. Kontrolér uchovává přibližně 20 000 datových bodů pro každý senzor.
Záruka	2 roky

¹ Jednotky, které mají certifikaci Underwriters Laboratories (UL), jsou určeny pouze pro vnitřní použití a nemají klasifikaci NEMA 4X/IP66.

² Jednotky napájené stejnosměrným proudem nejsou uvedeny v seznamu UL.

Obecné informace

Výrobce není v žádném případě zodpovědný za nepřímé, zvláštní, náhodné či následné škody, které jsou výsledkem jakékoli chyby nebo opomenutí v této příručce. Výrobce si vyhrazuje právo provádět v této příručce a výrobcích v ní popisovaných změny, a to kdykoliv, bez předchozích oznámení či jakýchkoli následných závazků. Revidovaná vydání jsou dostupná na internetových stránkách výrobce.

Bezpečnostní informace

UPOZORNĚNÍ

Výrobce neodpovídá za škody způsobené nesprávnou aplikací nebo nesprávným použitím tohoto produktu včetně (nikoli pouze) přímých, náhodných a následných škod a zříká se odpovědnosti za takové škody v plném rozsahu, nakolik to umožňuje platná legislativa. Uživatel je výhradně zodpovědný za určení kritických rizik aplikace a za instalaci odpovídajících mechanismů ochrany procesů během potenciální nesprávné funkce zařízení.

Před vybalením, montáží a uvedením přístroje do provozu si prosím pozorně přečtěte celý tento návod. Zvláštní pozornost věnujte všem upozorněním na možná nebezpečí a výstražným informacím. V opačném případě může dojít k vážným poraněním obsluhy a poškození přístroje.

Ujistěte se, že nedošlo k poškození obalu tohoto zařízení a přístroj nepoužívejte a neinstalujte jinak, než jak je uvedeno v tomto návodu.

Informace o možném nebezpečí

▲ NEBEZPEČÍ

Označuje možnou nebo bezprostředně rizikovou situaci, jež může v případě, že jí nezabráníte, vést k usmrcení nebo vážnému zranění.

▲ VAROVÁNÍ

Upozorňuje na možné nebo skryté nebezpečné situace, jež by bez vhodných preventivních opatření mohly vést k úmrtí nebo vážnému poranění.

▲ POZOR





Upozorňuje na možnou nebezpečnou situaci, jež by mohla mít za následek menší nebo mírné poranění.

UPOZORNĚNÍ

Označuje situaci, která může způsobit poškození přístroje, pokud se nezabrání jejímu vzniku. Upozorňuje na informace vyžadující zvláštní pozornost.

Výstražné symboly

Věnujte pozornost všem nálepkám a štítkům umístěným na zařízení. V opačném případě může dojít k poranění osob nebo poškození přístroje. Odkazy na symboly na přístroji naleznete v návodu spolu s výstražnou informací.

	Tento symbol, pokud je uveden na zařízení, odkazuje na provozní a/nebo bezpečnostní informace uvedené v uživatelské příručce.
	Symbol upozorňuje na možnost úrazu nebo usmrcení elektrickým proudem.
	Tento symbol označuje přítomnost zařízení citlivého na elektrostatický výboj a znamená, že je třeba dbát opatrnosti, aby nedošlo k poškození zařízení.
	Elektrické zařízení označené tímto symbolem se po 12. srpnu 2005 nesmí likvidovat prostřednictvím evropských systémů veřejného odpadu. V souladu s evropskými místními a národními předpisy (Směrnice EU 2002/96/ES) musí evropští uživatelé elektrických zařízení vrátit staré zařízení nebo zařízení s prošlou životností výrobci k likvidaci, a to zdarma.

Certifikace

Kanadské předpisy o zařízeních způsobujících rušení, IECS-003, Třída A:

Záznamy o testech jsou uloženy u výrobce.

Tento digitální přístroj třídy A splňuje všechny požadavky kanadských předpisů o zařízeních způsobujících rušení.

Cet appareil numérique de classe A répond à toutes les exigences de la réglementation canadienne sur les équipements provoquant des interférences.

FCC Část 15, meze třídy "A"

Záznamy o testech jsou uloženy u výrobce. Zařízení splňuje požadavky uvedené v části 15 pravidel FCC. Jeho provoz je dovolen jen při splnění následujících podmínek:

1. Zařízení nemůže způsobit škodlivé rušení.
2. Zařízení musí akceptovat veškeré přijaté rušení, včetně rušení, které může působit nežádoucí provoz.

Změny nebo úpravy tohoto zařízení, které nebyly výslovně schváleny stranou odpovědnou za vyhovění normám, mohou způsobit neplatnost oprávnění uživatele provozovat toto zařízení. Toto zařízení bylo testováno a bylo zjištěno, že vyhovuje limitům digitálního zařízení Třídy A na základě části 15 pravidel FCC. Uvedené meze byly stanoveny za účelem poskytnutí dostatečné ochrany před škodlivým rušením, je-li zařízení v provozu v komerčním prostředí. Toto zařízení vytváří, používá a může vyzařovat vysokofrekvenční energii a jestliže není instalováno a používáno v souladu s návodem k použití, může působit rušení radiových komunikací. Provoz tohoto zařízení v obytných oblastech může pravděpodobně působit škodlivé rušení. V tomto případě uživatel bude muset odstranit rušení na své vlastní náklady. Ke snížení problémů způsobených rušením lze použít následující postupy:

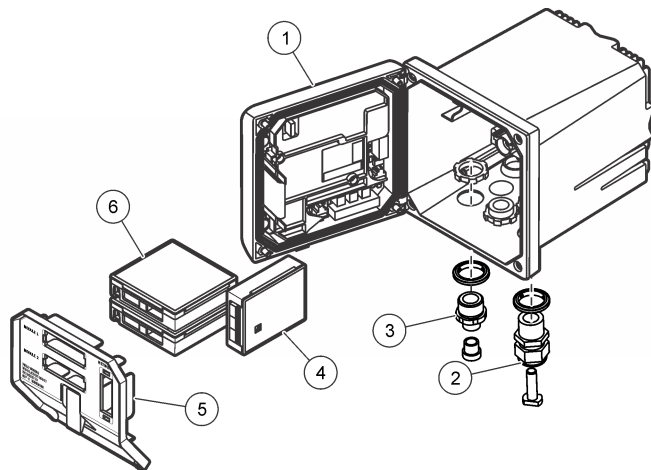
1. Odpojením zařízení od elektrické sítě se přesvědčte, zda zařízení je či není zdrojem poruch.
2. Pokud je zařízení připojeno do stejné zásuvky jako zařízení trpící rušením, zapojte jej do jiné zásuvky.
3. Zařízení posuňte dále od rušeného přístroje.
4. Změňte polohu přijímací antény zařízení, jež rušení přijímá.
5. Vyzkoušejte případně kombinaci několika uvedených opatření.

Celkový přehled

Kontrolér zobrazuje měření senzoru a další údaje, může přenášet analogové a digitální signály a může pomocí výstupů a relé komunikovat a řídit ostatní zařízení. Výstupy, relé, senzory a sensorové moduly se konfigurují a kalibrují pomocí uživatelského rozhraní na přední straně kontroléru.

Obr. 1 zobrazuje součásti produktu. Součásti se mohou lišit podle konfigurace kontroléru. Pokud jsou díly poškozené nebo chybí, obraťte se na výrobce.

Obr. 1 Součásti systému



1 Kontrolér	4 Síťový modul (volitelný)
2 Sestava odlehčovací objímky (volitelné, závisí na verzi kontroléru)	5 Vysokonapěťová zábrana
3 Digitální přípojka (volitelné, závisí na verzi kontroléru)	6 Sensorové moduly (volitelné)

Senzory a sensorové moduly

Kontrolér pracuje až se dvěma sensorovými moduly nebo dvěma digitálními senzory (podle konfigurace kontroléru) a jedním komunikačním modulem. Lze kombinovat jeden digitální senzor a jeden sensorový modul. K sensorovým modulům lze připojit různé senzory. Informace o zapojení senzorů najdete v příručce konkrétního senzoru a v pokynech pro uživatele konkrétních modulů.

Výstupy a signály relé

Kontrolér má čtyři konfigurovatelné reléové spínače a dva analogové výstupy. Volitelný analogový výstupní modul může zvýšit počet analogových výstupů na pět.

Detekce zařízení

Až na dvě výjimky kontrolér bez zásahu uživatele automaticky detekuje připojená zařízení, jakmile se zapne napájení. První výjimkou je případ, kdy kontrolér zapnete poprvé před prvním použitím. Druhou výjimkou je případ, kdy vrátíte nastavení konfigurace kontroléru na výchozí hodnoty a zapnete kontrolér. V obou případech kontrolér nejprve zobrazí obrazovku pro úpravu jazyka, data a času. Jakmile je zadán jazyk, datum a čas, kontrolér provádí detekci zařízení. Pokyny pro vyhledání zařízení při zapnutém kontroléru najdete v dokumentu [Připojení digitálního senzoru sc](#) na straně 180.

Skříň kontroléru

Skříň regulátoru odpovídá třídě NEMA4X/IP66 a je opatřena protikorozní povrchovou úpravou odolávající nepříznivým vlivům okolního prostředí, např. solné sprchy či sirovodíku. Při použití v exteriéru se doporučuje ochrana proti poškození z okolí.

Poznámka: Jednotky, které mají certifikaci Underwriters Laboratories (UL), jsou určeny pouze pro vnitřní použití a nemají klasifikaci NEMA 4X/IP66.

Možnosti montáže kontroléru

Kontrolér lze upevnit na panel, na stěnu nebo na svislou či vodorovnou trubku. Příložený neoprenový těsnicí kroužek lze použít pro snížení chvění. Kroužek lze použít jako šablonu při upevňování na panel, než se oddělí vnitřní těsnění.

Instalace

Montážní komponenty a rozměry

▲ POZOR

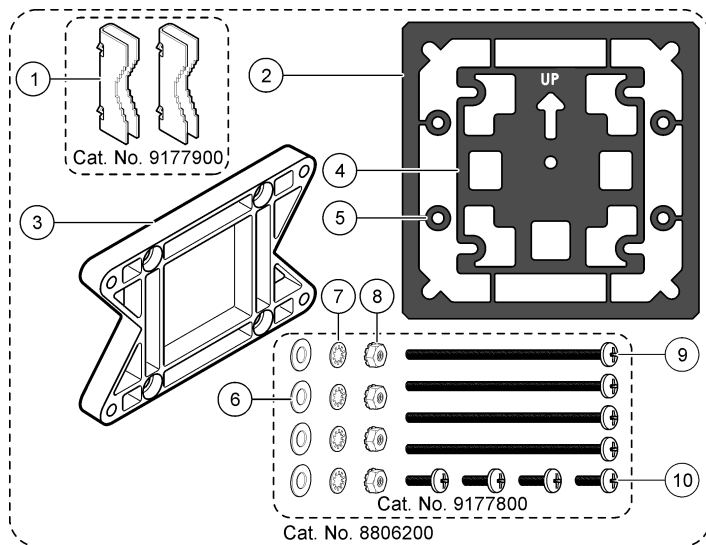
Nebezpečí poranění osob. Práce uvedené v této kapitole smí provádět pouze dostatečně kvalifikovaný personál.

Kontrolér lze instalovat na plochu, panel nebo trubku (horizontální či vertikální). Volitelné příslušenství a pokyny pro montáž najdete v **Obr. 2**, **Obr. 3** na straně 168, **Obr. 4** na straně 169, **Obr. 5** na straně 170 a **Obr. 6** na straně 171.

V případě upevnění k vodorovné trubce připojte montážní patky (**Obr. 2**) svisle k montážní konzole.

V případě upevnění na vodorovnou a svislou trubku připevňte montážní konzolu ke kontroléru podle vyobrazení na **Obr. 5** na straně 170.

Obr. 2 Montážní komponenty

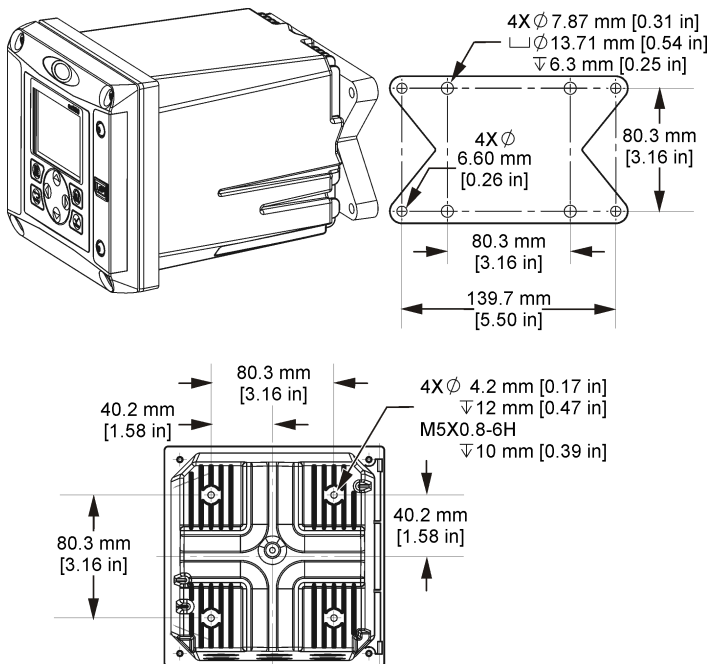


1 Montážní patka (2x)	6 Plochá podložka, vnitřní průměr 1/4" (4x)
2 Těsnicí kroužek pro upevnění na panel, neopren	7 Pojistná podložka, vnitřní průměr 1/4" (4x)
3 Konzola pro upevnění na stěnu nebo k trubce	8 Šestihranná matice, M5 x 0,8 (4x)
4 Antivibrační kroužek pro upevnění na trubku	9 Šrouby s křížovou drážkou, M5 x 0,8 x 100 mm (4x) (používá se pro upevnění na trubku s různým průměrem)
5 Antivibrační podložka pro upevnění na trubku (4x)	10 Šrouby s křížovou drážkou, M5 x 0,8 x 15 mm (4x)

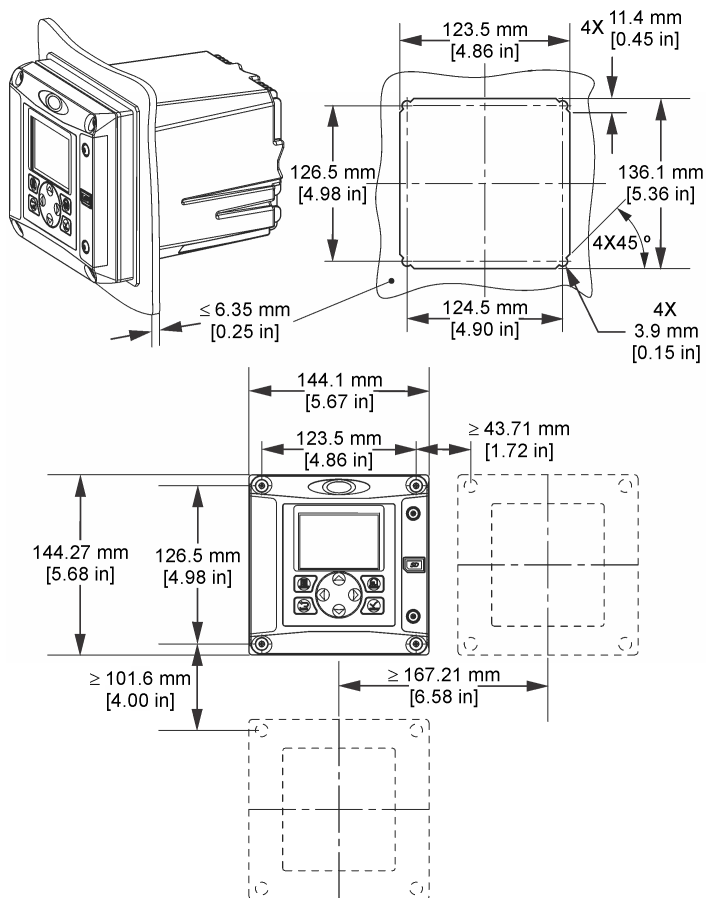
Poznámka: Rameno pro montáž panelu je k dispozici jako volitelné příslušenství.

Upevnění kontroléru

Obr. 3 Rozměry při plošné montáži

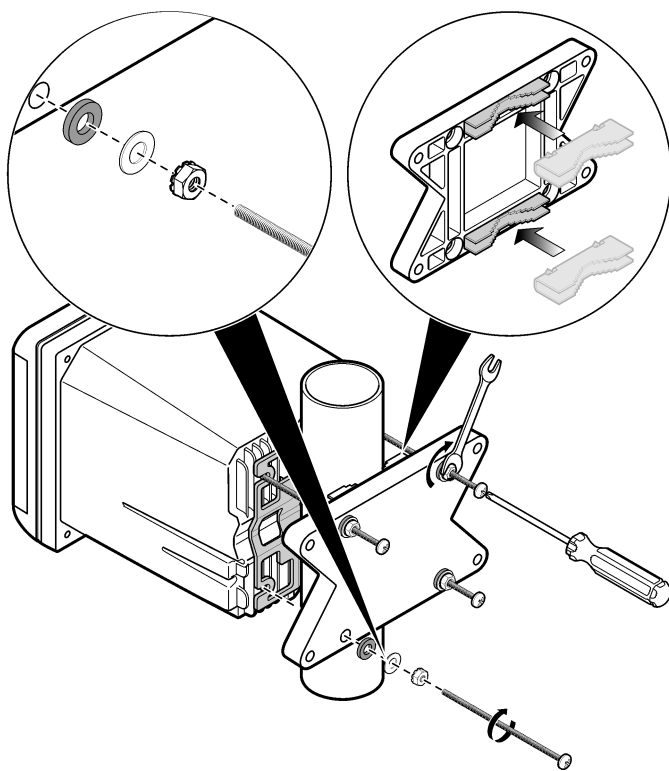


Obr. 4 Rozměry při montáži na panel

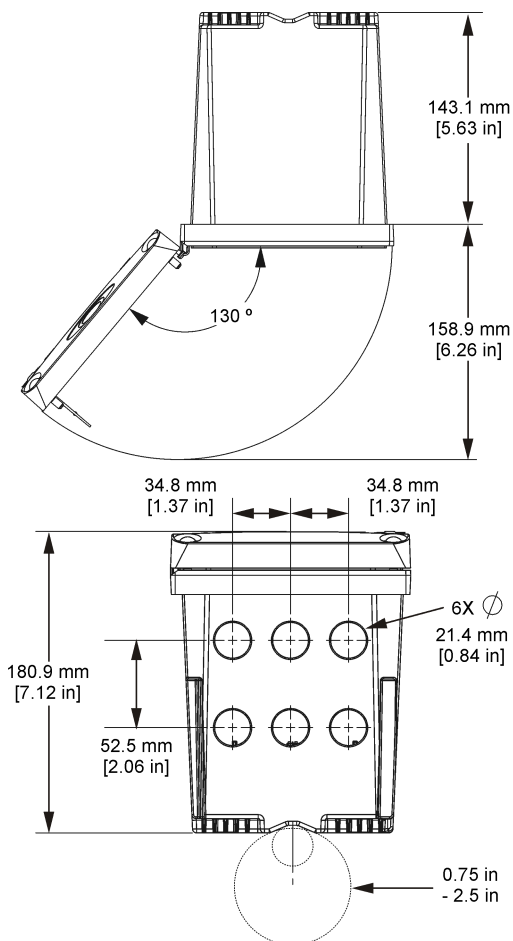


Poznámka: Použijete-li pro montáž panelu rameno (volitelné), vsuňte kontrolér otvorem v panelu a potom přetáhněte rameno přes kontrolér na zadní straně panelu. Pro připojení ramene ke kontroléru a upevnění kontroléru k panelu použijte čtyři 15mm šrouby (součásti dodávky).

Obr. 5 Upevnění na trubku (svislá trubka)



Obr. 6 Pohledy shora a zdola



Vysokonapětová zábrana

Vedení vysokého napětí je umístěno za vysokonapětovou zábranou uvnitř skříně přístroje. Bariéra musí zůstat na místě s výjimkou případů instalace modulů nebo vedení pro napájení, alarmy, výstupy nebo relé nebo síťových karet kvalifikovaným instalačním technikem. Neodstraňujte zábranu, je-li kontrolér napájen elektrickou energií.

Zřetel na elektrostatické výboje (ESD)

UPOZORNĚNÍ



Instalujte zařízení v místech a polohách, které umožňují snadný přístup pro odpojení zařízení a pro jeho obsluhu. Působením statické elektřiny může dojít k poškození citlivých vnitřních elektronických součástí a snížení výkonnosti či selhání.

Dodržováním kroků uvedených v této proceduře zabráníte poškození přístroje elektrostatickými výboji:

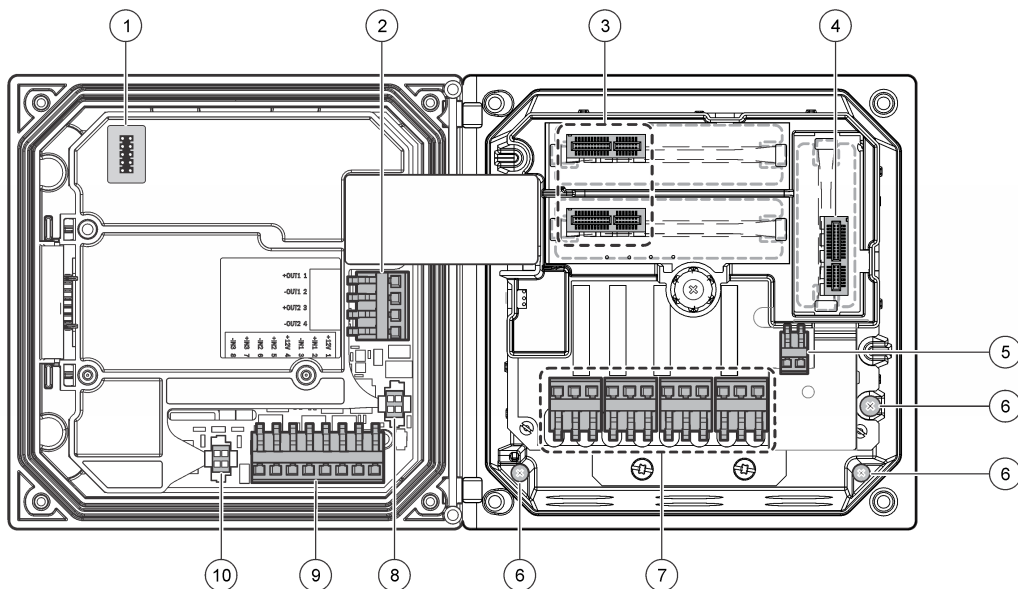
- Dotkněte se uzemněného kovového předmětu, například základny přístroje, kovové trubky nebo potrubí, a zbavte se tak statické elektřiny na povrchu těla.
- Nehýbejte se příliš prudce. Součástky citlivé na elektrostatický náboj přepravujte v antistatických nádobách nebo obalech.
- Noste zápěstní řemínek, který je uzemněn drátem.
- Pracujte v antistaticky chráněné oblasti s antistatickou ochranou podlahy a pracovního stolu.

Přehled zapojení

Obr. 7 obsahuje přehled zapojovacích přípojek uvnitř kontroléru s vyjmutou vysokonapěťovou zábranou. Levá strana obrázku ukazuje zadní stranu krytu kontroléru.

Poznámka: Před instalací modulu sejměte krytky konektorů.

Obr. 7 Přehled kabelového připojení



1 Připojení servisního kabelu	5 Konektor napájení střídavým a stejnosměrným proudem ¹	9 Konektor zapojení samostatných vstupů ¹
2 Výstup 4–20 mA ¹	6 Zemnicí svorky	10 Konektor digitálního senzoru ¹
3 Konektor senzоровého modulu	7 Připojky relé ¹	
4 Konektor komunikačního modulu (například Modbus, Profibus, HART, volitelný modul 4-20 mA)	8 Konektor digitálního senzoru ¹	

¹ Zemnicí svorky mohou být odstraněny pro lepší přístup.

Zapojení napájení

⚠ VAROVÁNÍ



Nebezpečí poranění el. proudem. Před elektrickými instalacemi přístroj odpojte od elektrické sítě.

⚠ VAROVÁNÍ



Nebezpečí poranění el. proudem. Pokud se toto zařízení používá mimo kryté prostory nebo na potenciálně vlhkých místech, musí se k připojení zařízení k hlavnímu zdroji napájení použít **proudový chránič**.

⚠ NEBEZPEČÍ



Nebezpečí poranění elektrickým proudem. Model na stejnosměrný proud 24 V nepřipojujte na zdroj střídavého napětí.

⚠ VAROVÁNÍ



Nebezpečí poranění el. proudem. Pro obě vedení o napětí 100–240 V střídavých a 24 V stejnosměrných se vyžaduje připojení ochranného uzemnění (PE). V opačném případě hrozí nebezpečí elektrických rázů a nepříznivého ovlivnění funkce přístroje v důsledku elektromagnetických poruch. Svorkovnici kontroléru proto **VŽDY** připojte k dostatečnému uzemňovací vedení.

UPOZORNĚNÍ

Instalujte zařízení v místech a polohách, které umožňují snadný přístup pro odpojení zařízení a pro jeho obsluhu.

Kontrolér lze zakoupit buď jako model napájený střídavým proudem o napětí 100/240 V nebo jako model napájený stejnosměrným proudem o napětí 24 V. Při provádění elektrické instalace se řiďte pokyny týkajícími se zakoupeného modelu.

Kontrolér lze připojit na zdroj elektrické energie buďto napevno, vodiči uloženými v instalačním kanálu, nebo pomocí elektrické šňůry. Nezávisle na použitém druhu instalace se připojení přístroje provádí na tytéž výstupní svorky. Systém vyžaduje – nezávisle na druhu instalace – možnost místního odpojení od sítě provedenou ve shodě s místními elektrickými předpisy. Zařízení s připojením napevno musejí být vybavena elektrickými a bezpečnostními vodiči o síle 18 až 12 AWG.

Poznámky:

- Před připojováním elektrických kabelů odpojte napěťovou zábranu. Po vytvoření všech přípojek znovu připojte napěťovou zábranu a teprve poté uzavřete kontrolér krytem.
- V souladu s požadavky na krytí 4X/IP66 podle předpisu NEMA můžete použít odlehčovací objímku těsnícího typu a napájecí kabel kratší než 3 metry se třemi vodiči o síle 18 AWG (včetně bezpečnostního zemního vodiče).
- Kontroléry lze objednat s předinstalovaným elektrickým kabelem pro střídavý proud. Objednat lze i další napájecí kabely.
- Zdroj stejnosměrného proudu napájející kontrolér na 24 V musí vyhovovat předpisům vyžadujícím rozmezí napětí 24 V mezi –15 % a +20 %. Tento zdroj musí rovněž poskytovat dostatečnou ochranu proti rázům a kolísání sítě.

Postup zapojení

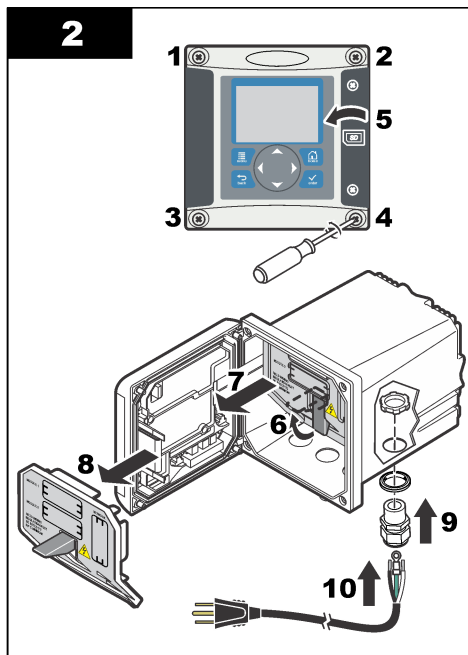
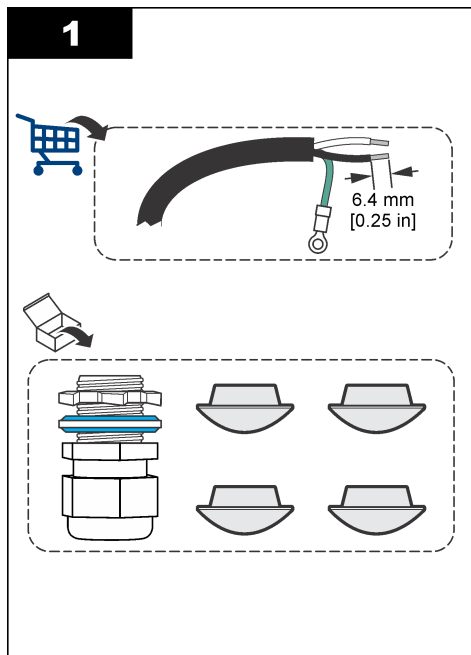
Při zapojení kontroléru do elektrické sítě se řiďte následujícím obrázkovým návodem a stránkami [Tabulka 1](#) nebo [Tabulka 2](#). Zasuňte každý vodič do příslušné koncovky tak hluboko, aby izolace přiléhala na konektor a holý vodič nevyčníval. Po vložení za vodič jemně zatáhněte a přesvědčte se tak, že je pevně uchycen. Všechny nepoužité otvory ve skříni přístroje zaslepte.

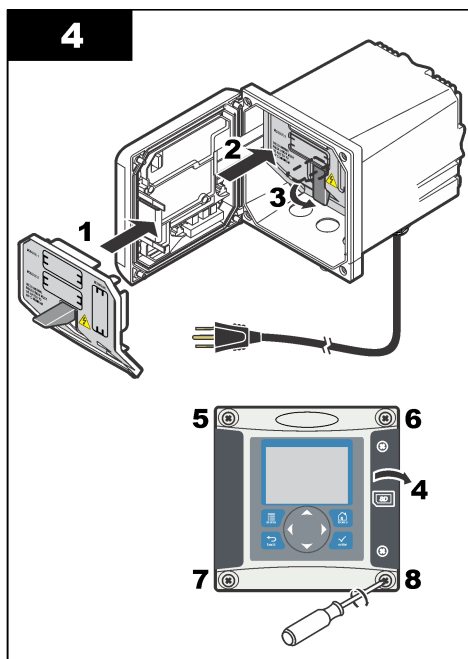
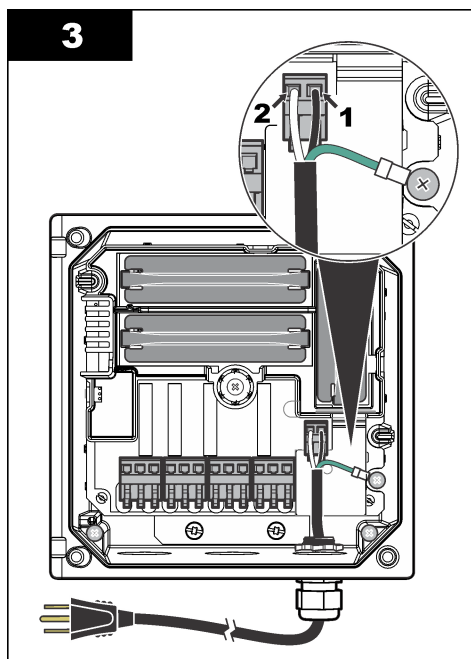
Tabulka 1 Připojení k napájení střídavým proudem (platí pouze pro model napájený střídavým proudem)

Svorkovnice	Popis	Barva – Severní Amerika	Barva – EU
1	Fáze (L1)	Černá	Hnědá
2	Nulový vodič (N)	Bílá	Modrá
—	Oko ochranného zemnění (PE)	Zelená	Zelená se žlutým páskem

Tabulka 2 Připojení napájení stejnosměrným proudem (platí pouze pro model napájený stejnosměrným proudem)

Svorkovnice	Popis	Barva – Severní Amerika	Barva – EU
1	+24 VDC	Červená	Červená
2	Zpětné napájení 24 V stejnosměrných	Černá	Černá
—	Oko ochranného zemnění (PE)	Zelená	Zelená se žlutým páskem





Poplachové funkce a relé

Kontrolér je vybaven čtyřmi nenapájenými, jednopólovými relé dimenzovanými na 100-250 VAC, 50/60 Hz, max. 5 A. Kontakty jsou dimenzované na 250 VAC, max. 5 A u kontroléru na střídavý proud a na 24 VDC, max. 5 A u kontroléru na stejnosměrný proud. Relé nejsou dimenzovaná na indukční zátěže.

Propojovací relé

▲ VAROVÁNÍ



Nebezpečí poranění el. proudem. Před elektrickými instalacemi přístroj odpojte od elektrické sítě.

▲ VAROVÁNÍ



Potenciální nebezpečí požáru. Kontakty relé jsou dimenzované pro 5 A a nejsou opatřeny pojistkou. Externí zátěže připojené k relé musejí mít proudový omezovač nastavený na hodnotu nižší než 5 A.

▲ VAROVÁNÍ



Potenciální nebezpečí požáru. Nepoužívejte sériové zapojení pro běžné spoje relé nebo propojovací vodič od přípojky elektrické sítě uvnitř přístroje.

▲ VAROVÁNÍ



Nebezpečí poranění el. proudem. V souladu s požadavky na krytí skříně podle předpisu NEMA je nutné pro přívod kabelů do přístroje použít elektroinstalační tvarovky a kabelové vodiče dimenzované pro krytí alespoň NEMA 4X/IP66

Kontroléry napájené z vedení střídavého proudu (100—250 V)

Elektrické vybavení relé není navrženo na připojení napětí vyššího než 250 VAC.

Kontroléry napájené stejnosměrným proudem o napětí 24 V

⚠ VAROVÁNÍ



Nebezpečí poranění el. proudem. Kontroléry napájené střídavým proudem (115 V–230 V) jsou konstruovány pro reléové připojení do obvodů střídavého proudu (např. napětí vyšší než 16 V-RMS, 22,6 V-PEAK nebo 35 VDC).

⚠ VAROVÁNÍ



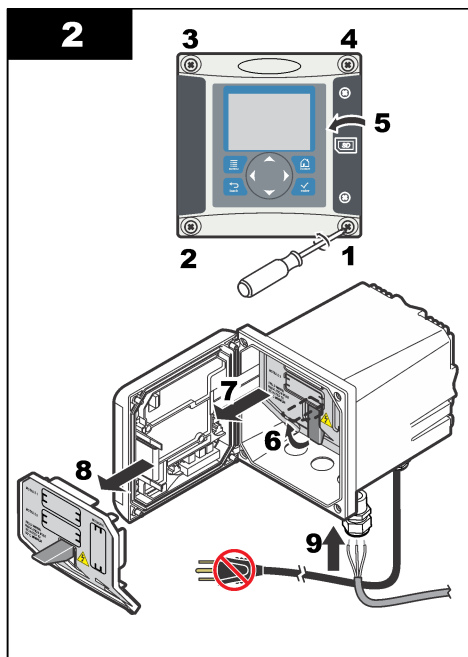
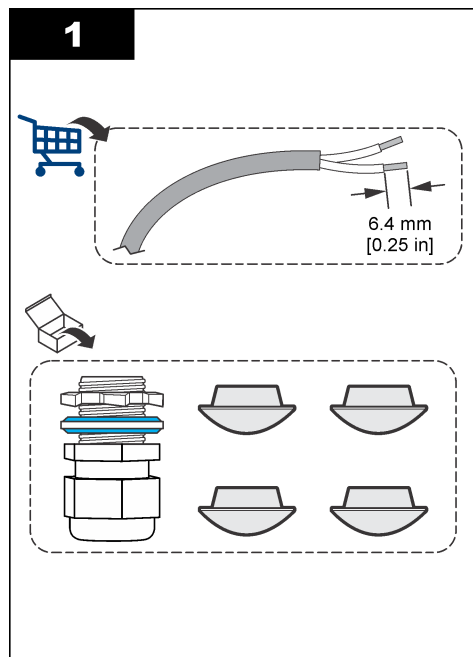
Nebezpečí poranění el. proudem. Kontroléry s napájením 24 V jsou konstruovány pro reléové připojení do obvodů s nízkým napětím (např. napětí nižší než 16 V-RMS, 22,6 V-PEAK nebo 35 VDC).

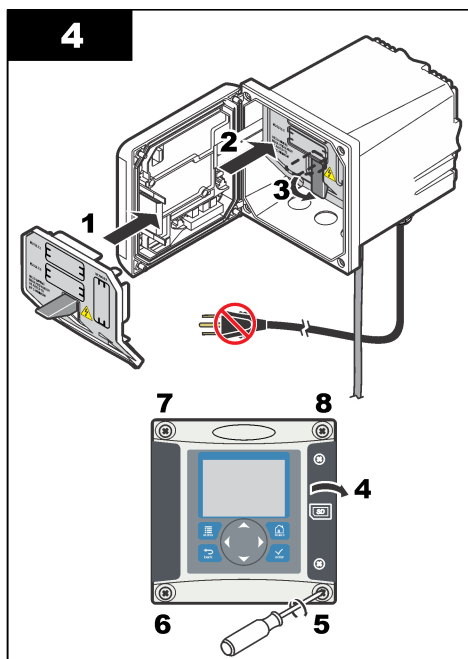
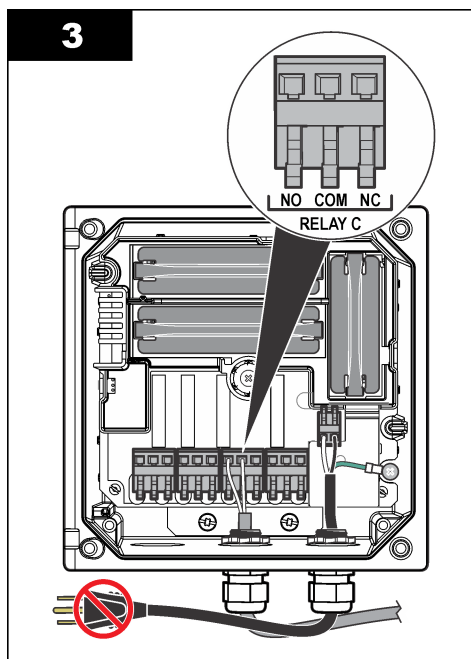
Relé kontroléru na 24 V stejnosměrného proudu je určeno pro připojení k nízkonapětovým obvodům (tj. napětí nižší než 30 V-RMS, 42,2 V-PEAK nebo 60 VDC). Elektrické vybavení relé není navrženo na připojení napětí vyššího než tyto mezní hodnoty.

Připojka relé vyžaduje vodiče o síle 18 až 12 AWG (podle zatížení provozu). Vodiče o síle menší než 18 AWG se nedoporučují.

Je-li poplachový nebo jiný stav aktivní, jsou kontakty normálně otevřeného (NO) a obecného (COM) relé spojeny. Není-li poplachový nebo jiný stav aktivní (pokud není pojistka proti selhání nastavena na hodnotu Ano) nebo je-li přístroj zbaven proudu, jsou spojeny kontakty relé normálně uzavřeného (NC) a obecného.

Většina přípojek relé používá vývody NO a COM nebo vývody NC a COM. Číslovaný postup instalace popisuje připojení k vývodům NO a COM.





Přípojky analogových výstupů

⚠ VAROVÁNÍ



Nebezpečí poranění el. proudem. Před elektrickými instalacemi přístroj odpojte od elektrické sítě.

⚠ VAROVÁNÍ



Nebezpečí poranění el. proudem. V souladu s požadavky na krytí skříně podle předpisu NEMA je nutné pro přívod kabelů do přístroje použít elektroinstalační tvarovky a kabelové vodiče dimenzované pro krytí alespoň NEMA 4X/IP66

K dispozici jsou dva oddělené analogové výstupy (1 a 2) (Obr. 8). Tyto výstupy se běžně používají pro analogové signály nebo pro řízení jiných externích zařízení.

Vytvořte kabelová připojení ke kontroléru podle vyobrazení Obr. 8 a Tabulka 3.

Poznámka: Obr. 8 zobrazuje zadní stranu krytu kontroléru, nikoli však vnitřek hlavního prostoru kontroléru.

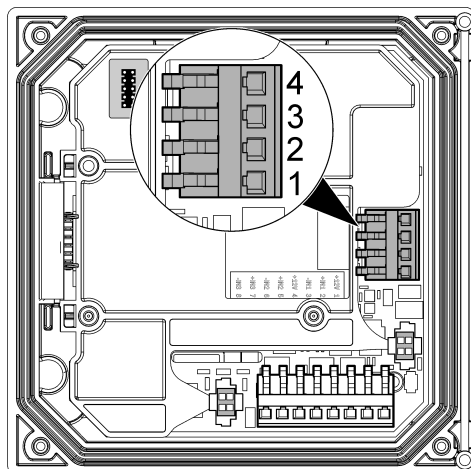
Tabulka 3 Přípojky výstupů

Vodiče zapisovacího přístroje	Poloha na rozvodovém panelu
výstup 2-	4
výstup 2+	3
výstup 1-	2
výstup 1+	1

1. Otevřete víko přístroje.
2. Protáhněte vodiče odlehčovací objímkou.
3. Podle potřeby přizpůsobte vodiče a utáhněte odlehčovací objímkou.

4. K připojení použijte pár zakroucených stíněných kabelů a stínění připevněte ke konci řízené komponenty, nebo ke konci řídicí smyčky.
 - Stínění nepřipojujte k oběma koncům kabelu.
 - Použití nestíněných vodičů může způsobovat vysílání vysokofrekvenčního záření a zvýšení hladiny susceptibility nad povolenou mez.
 - Maximální odpor smyčky je 500 ohmů.
5. Přiklopte víko přístroje a utáhněte šrouby krytu.
6. Nakonfigurujte výstupy v kontroléru.

Obr. 8 Přípojky analogových výstupů



Kabelové připojení samostatných vstupů

⚠ VAROVÁNÍ



Nebezpečí poranění el. proudem. Před elektrickými instalacemi přístroj odpojte od elektrické sítě.

⚠ VAROVÁNÍ

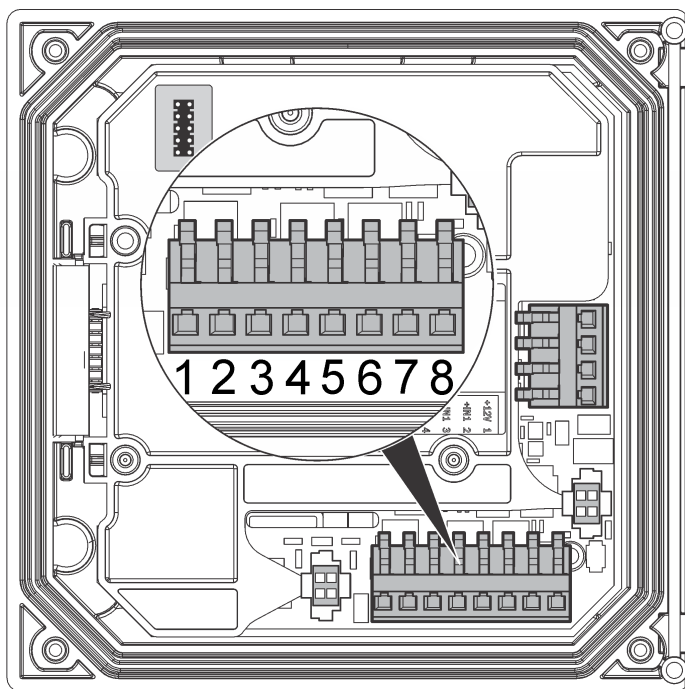


Nebezpečí poranění el. proudem. V souladu s požadavky na krytí skříně podle předpisu NEMA je nutné pro přívod kabelů do přístroje použít elektroinstalační tvarovky a kabelové vodiče dimenzované pro krytí alespoň NEMA 4X/IP66

Tři oddělené vstupy reagují na sestupnou hranu nebo logickou úroveň napětí. Provedte kabelové připojení a konfigurujte nastavení spojky ke kontroléru dle obrázku [Obr. 9](#), [Tabulka 4](#) a [Obr. 10](#).

Poznámka: [Obr. 9](#) zobrazuje zadní stranu krytu kontroléru, nikoli však vnitřek hlavního prostoru kontroléru.

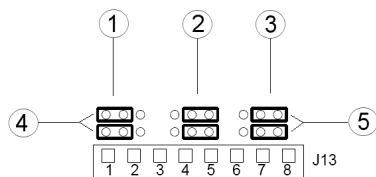
Obr. 9 Kabelové připojení samostatných vstupů



Tabulka 4 Připojení vstupu

Samostatné vstupy	Poloha konektoru - přepínací vstup	Poloha konektoru - napět'ový vstup
Vstup 1+	3	2
Vstup 1-	2	3
Vstup 2+	6	5
Vstup 2-	5	6
Vstup 3+	8	7
Vstup 3-	7	8

Obr. 10 Nastavení spojky



1 Vstup 1 konfigurace spojky	4 Propojky umístěné doleva pro přepínací vstupy
2 Vstup 2 konfigurace spojky	5 Propojky umístěné doprava pro napěťové vstupy
3 Vstup 3 konfigurace spojky	

1. Otevřete víko přístroje.
2. Elektroinstalaci vedte kabelovou spojkou.
3. Podle potřeby přizpůsobte vodiče a utáhněte kabelovou spojkou.
4. Spojky jsou umístěny těsně za konektorem. Abyste měli lepší přístup ke spojkám, odstraňte konektor, potom můžete konfigurovat nastavení spojky podle typu vstupu, jak ukazuje [Obr. 10](#).
5. Přiklopte víko přístroje a utáhněte šrouby krytu.
6. Nakonfigurujte vstupy v kontroléru.

Poznámka: V režimu **přepínacího vstupu** kontrolér dodává 12 voltů do přepínače a není izolován od kontroléru. V režimu **napěťového vstupu** jsou vstupy izolovány od kontroléru (uživatelské napětí vstupu od 0 do 30 voltů).

Připojení digitálního senzoru sc

Poznámka: Postup připojení analogového senzoru najdete v pokynech dodaných společně s modulem nebo v příručce senzoru.

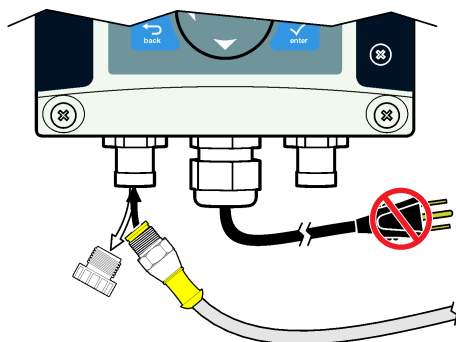
Digitální senzor sc lze ke kontroléru připojit pomocí kódované rychloupínací přípojky [Obr. 11](#) Digitální senzor lze připojovat k zapnutému i vypnutému kontroléru.

Jestliže připojujete senzor k zapnutému kontroléru, neprovede kontrolér automaticky žádnou detekci zařízení. Chcete-li, aby kontrolér provedl detekci zařízení, přejděte do nabídky Test/Údržba a zvolte Hledat zařízení. Jakmile je nalezeno nové zařízení, kontrolér provede bez zásahu uživatele instalaci.

Jestliže senzor připojíte k vypnutému kontroléru, kontrolér provede detekci zařízení po zapnutí napájení. Jakmile je nalezeno nové zařízení, kontrolér provede bez zásahu uživatele instalaci.

Krytku otvoru zástrčky uschovejte pro případ, že senzor budete později muset odstranit.

1.



Připojení volitelného digitálního komunikačního výstupu

Výrobce podporuje komunikační protokoly Modbus RS485, Modbus RS232, Profibus DPV1 a HART. Volitelný modul digitálního výstupu se instaluje v místě označeném číslem 4 na Obr. 7 na straně 172. Podrobnosti o tomto připojení naleznete v návodu dodávaném se síťovým modulem.

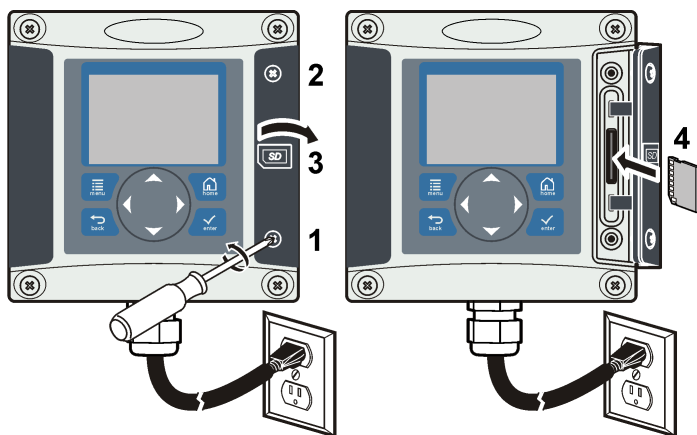
Podrobnější informace o registrech Modbus najdete na stránce <http://www.hach-lange.com> nebo <http://www.hach.com>, kde vyhledejte pojem *Modbus registers*. Případně hledejte na stránce libovolného produktu sc200.

Instalace paměťové karty SD (Secure Digital)

Pokyny pro instalaci karty SD v kontroléru viz Obr. 12. Informace o použití paměťové karty SD najdete v rozšířené verzi této příručky.

Chcete-li vyjmout kartu SD, zatlačte na okraj karty, aby se uvolnila, a potom kartu vytáhněte ze slotu. Po vyjmutí karty zavřete kryt slotu a utáhněte šrouby krytu.

Obr. 12 Instalace karty SD

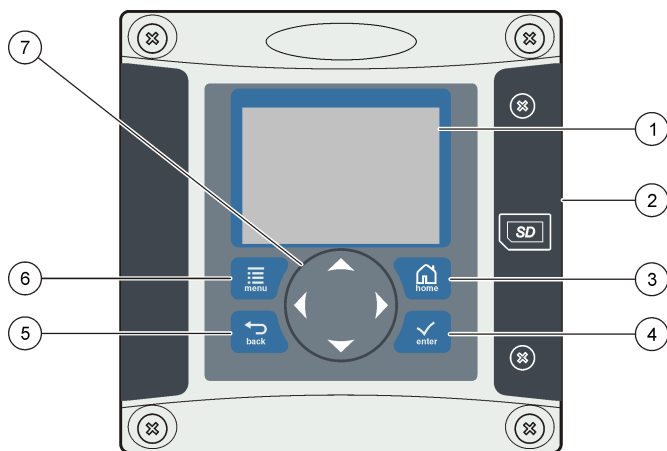


Uživatelské rozhraní a navigační tlačítka

Uživatelské rozhraní

Klávesnice má čtyři tlačítka nabídky a čtyři směrová tlačítka, viz Obr. 13.

Obr. 13 Přehled o klávesnici a předním panelu



1 Displej přístroje	5 Tlačítko BACK (Zpět). Návrat v programové nabídce (menu) na předchozí úroveň
2 Kryt slotu paměťové karty SD (Secure Digital)	6 Tlačítko MENU (Nabídka). Stisknutím přejdete z jiných obrazovek a podnabídek do Nabídky nastavení.
3 Tlačítko HOME (Domů). Stisknutím přejdete z jiných obrazovek a podnabídek na obrazovku Hlavní měření.	7 Směrová tlačítka. Používají se pro navigaci v nabídkách, změnu nastavení a zvyšování nebo snižování číselných hodnot.
4 Tlačítko ENTER . Potvrzuje vstupní hodnoty, aktualizace nebo zobrazené volby nabídky.	

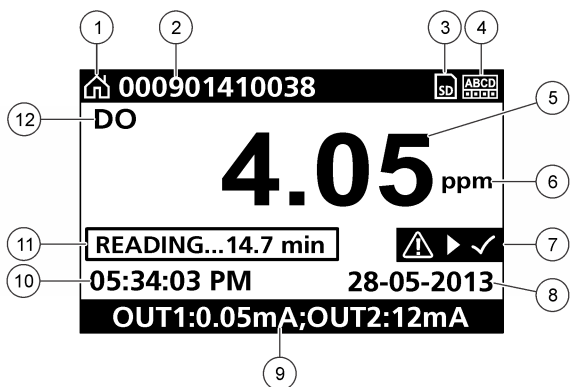
Vstupy a výstupy se nastavují a konfiguruje na předním panelu pomocí klávesnice a displeje. Toto uživatelské rozhraní se používá pro nastavení a konfiguraci vstupů a výstupů, vytváření protokolovaných informací a vypočítaných hodnot a také pro kalibraci senzorů. Rozhraní SD lze použít pro uložení protokolů a aktualizaci softwaru.

Displej

Obr. 14 zobrazuje příklad obrazovky hlavního měření se senzorem DO připojeným ke kontroléru.

Displej na předním panelu zobrazuje měřicí data senzoru, kalibraci a nastavení konfigurace, chyby, varování a další informace.

Obr. 14 Příklad obrazovky Hlavní měření



1 Ikona výchozí obrazovky	7 Pruh pro upozornění
2 Název senzoru	8 Datum
3 Ikona paměťové karty SD	9 Hodnoty analogového výstupu
4 Indikátor stavu relé	10 Čas
5 Hodnota měření	11 Pruh postupu
6 Jednotka měření	12 Parametr měření

Tabulka 5 Popisy ikon

Ikona / klávesa	Popis
Výchozí obrazovka	Ikona je různá v závislosti na zobrazené obrazovce nebo nabídce. Je-li například instalovaná karta SD a uživatel se nachází v nabídce Nastavení SD karty, zobrazí se zde ikona karty SD.
Paměťová karta SD	Tato ikona se zobrazuje pouze v případě, že ve slotu čtečky je zasunutá karta SD. Když se uživatel nachází v nabídce Nastavení SD karty, zobrazí se tato ikona v levém horním rohu.
Varování	Varovná ikona má podobu trojúhelníku s vykřičníkem. Výstražné ikony se objevují na pravé straně hlavního displeje pod jednotkou měření. Stiskněte tlačítko ENTER a po svolení přístroje můžete sledovat problém, který se u něj vyskytl. Jakmile budou všechny problémy odstraněny nebo zjištěny, výstražná ikona se již nebude zobrazovat.
Porucha	Chybová ikona má podobu kruhu s vykřičníkem. Když se vyskytne chyba, začne na hlavním displeji střídavě blikat chybová ikona a obrazovka měření. Abyste viděli chybu, stiskněte tlačítko MENU a zvolte Diagnostics (Diagnostika). Potom vyberte přístroj, abyste mohli sledovat problém, který se u něj vyskytl.

Další formáty zobrazení

- Na obrazovce hlavního měření můžete přepínat mezi jednotlivými parametry měření stisknutím šipky **NAHORU** a **DOLŮ**
- Na obrazovce hlavního měření můžete pomocí šipky **DOPRAVA** přepnout na dělené zobrazení až 4 měřených parametrů. Stisknutím šipky **DOPRAVA** vložíte další parametry. Stisknutím šipky **DOLEVA** se dle potřeby můžete vrátit na obrazovku hlavního měření
- Na obrazovce hlavního měření můžete stisknutím šipky **DOLEVA** přepnout na grafické zobrazení (viz **Grafické zobrazení** na straně 184 jak definovat parametry). Stisknutím šipek **NAHORU** a **DOLŮ** můžete přepínat mezi grafy měření

Grafické zobrazení

Graf ukazuje naměřené koncentrace a teploty pro každý používaný kanál. Graf umožňuje snadné monitorování trendů a zobrazuje změny v procesu.

1. Na obrazovce grafického zobrazení použijte šipky nahoru a dolů pro zvolení grafu a stiskněte klávesu **HOME** (Domů).
2. Vyberte některou z možností:

Volba	Popis
MEASUREMENT VALUE (NAMĚŘENÁ HODNOTA)	Nastavte naměřenou hodnotu pro vybraný kanál. Zvolte automatickou nebo manuální stupnici. Pro manuální stupnici zadejte minimální a maximální naměřené hodnoty
DATE & TIME RANGE (ROZSAH DATA A ČASU)	Zvolte rozsah data a času z dostupných možností

Zahájení provozu

Při prvním zapnutí se zobrazí postupně obrazovka Jazyk, Formát data a Datum/Čas. Po nastavení těchto voleb kontrolér provede detekci zařízení a zobrazí zprávu **Hledání nových zařízení. Čekejte, prosím...** Je-li nalezeno nové zařízení, provede kontrolér instalaci a teprve potom zobrazí obrazovku hlavního měření.

Pokud se při detekci najdou dříve nainstalovaná zařízení bez změn konfigurace, zobrazí se obrazovka hlavního měření zařízení v pozici číslo jedna okamžitě po dokončení detekce.

Pokud bylo zařízení vyjmuté z kontroléru nebo se nenajde během dalšího vypnutí a zapnutí případně při detekci aktivované z nabídky, zobrazí kontrolér zprávu **Chybějící zařízení** a vyzve uživatele ke smazání chybějícího zařízení.

Pokud není k nainstalovanému analogovému modulu připojen žádný senzor, ohlásí kontrolér chybu. Jsou-li připojena zařízení, ale kontrolér je nemůže najít, postupujte podle [Poruchy, jejich příčiny a odstraňování](#) na straně 186.

Nastavení jazyka, data a času při prvním použití

Když poprvé zapnete kontrolér a vždy, když zapnete kontrolér po předchozím vrácení konfiguračních nastavení na výchozí hodnoty, zobrazí kontrolér obrazovky pro úpravu jazyka, data a času. Když poprvé nastavíte volby jazyka, data a času, aktualizujte také podle potřeby další volby v nabídce nastavení sc200.

1. Na obrazovce Jazyk zvýrazněte jazyk v seznamu voleb a stiskněte tlačítko **ENTER**. Výchozím jazykem kontroléru je angličtina. Zvolený jazyk se uloží. Zobrazí se obrazovka Formát data.
2. Na obrazovce Formát data zvýrazněte formát a stiskněte tlačítko **ENTER**. Formát data a času se uloží. Potom se zobrazí obrazovka Datum/Čas.
3. Na obrazovce Datum/Čas přesunujte kurzor pomocí směrových tlačítek **DOPRAVA** a **DOLEVA**, aby se zvýraznilo pole, potom pomocí směrových tlačítek **NAHORU** a **DOLŮ** aktualizujte hodnotu v poli. Podle potřeby aktualizujte další pole.
4. Stiskněte tlačítko **ENTER**. Změny se uloží a kontrolér provede počáteční detekci zařízení. Jakmile kontrolér najde zařízení, zobrazí obrazovku hlavního měření pro zařízení v pozici číslo jedna. Pokud kontrolér nenajde připojená zařízení, postupujte podle [Poruchy, jejich příčiny a odstraňování](#) na straně 186.

Informace o konfiguraci kontroléru

V tabulce jsou uvedeny obecné informace o volbách konfigurace.

1. Chcete-li procházet možnosti nabídky v nabídce Nastavení, zvolte Nastavení sc200.

Volba	Popis
Bezpečnostní nastavení	Nastavení preferencí pro heslo.
OUTPUT SETUP (Nastavení výstupu)	Konfigurace analogových výstupů kontroléru
Nastavení relé	Konfigurace relé kontroléru
Nastavení displeje	Konfiguruje displej kontroléru
SET DATE/TIME (Nastavení data/času)	Nastavení času a data kontroléru
DATALOG SETUP (Nastavení protokolu dat)	Nastavení možností protokolování dat. Dostupné pouze tehdy, je-li nastavena kalkulace.
Správa dat	Ze seznamu instalovaných komponentů vyberte příslušné zařízení, abyste mohli prohlížet data a záznamy událostí
ERROR HOLD MODE (Chyba režimu zadržení)	Hold Outputs (Zachovat výstupy) —V případě, že kontrolér ztratí komunikační spojení se senzorem, zachová výstupy na poslední známé hodnotě. Transfer Outputs (Přenést výstupy) —V případě, že kontrolér ztratí komunikační spojení se senzorem, přepne do režimu přenosu. Přenos výstupů na předdefinovanou hodnotu.
CALCULATION (Výpočetní operace)	Konfiguruje matematické funkce kontroléru
Informace o zařízení sc200	S/W VER: —Zobrazí aktuální verzi softwaru v kontroléru Bootloader VER: (Verze zavaděče) —Zobrazí aktuální verzi zavaděče. Zavaděč je soubor, který načte hlavní operační systém kontroléru S/N: —Zobrazí sériové číslo kontroléru Verze: —Zobrazí aktuální verzi hardwaru kontroléru
Nastavení individuálních vstupů	Konfiguruje tři samostatné vstupní kanály
Jazyk	Přiřadí jazyk použitý v kontroléru

2. Zvolte některou možnost a aktivujte položku nabídky stisknutím tlačítka **ENTER**.

Údržba

▲ POZOR



Různá nebezpečí. Práce uvedené v tomto oddíle dokumentu smí provádět pouze dostatečně kvalifikovaný personál.

Čištění kontroléru

▲ NEBEZPEČÍ



Před každým prováděním údržby odpojte kontrolér ze zdroje napájení.

Poznámka: Pro čištění jakékoli části kontroléru nikdy nepoužívejte hořlavé nebo korozivní roztoky. Použití těchto roztoků může poškodit vnější ochranu přístroje a může zrušit záruku.

1. Ujistěte se, že je kryt kontroléru bezpečně uzavřen.
2. Otřete povrch kontroléru hadříkem namočeným ve vodě nebo ve směsi vody s jemným saponátem.

Poruchy, jejich příčiny a odstraňování

Problém	Rozlišení
Není proudový výstup	Ověřte konfiguraci proudového výstupu.
	Proveďte test výstupního signálu pomocí podnabídky Test/Údržba. Zadejte hodnotu proudu a ověřte proudový signál na přípojkách kontroléru.
	Spojte se s nejbližším servisním střediskem výrobce.
Nesprávný proudový výstup	Ověřte konfiguraci proudového výstupu.
	Proveďte test výstupního signálu pomocí podnabídky Test/Údržba. Zadejte hodnotu proudu a ověřte proudový signál na přípojkách kontroléru. Je-li výstup nesprávný, proveďte kalibraci výstupu.
Relé se neaktivuje	Zkontrolujte spolehlivost připojení relé.
	Pokud používáte externí napájení, zkontrolujte správné zapojení relé.
	Zkontrolujte správnost konfigurace relé.
	Proveďte test aktivace relé pomocí podnabídky Test/Údržba. Relé by se mělo sepnout a rozpojit podle výběru.
	Zkontrolujte, zda se kontrolér nenachází v režimu kalibrace a zda se relé nezaseklo.
	Obnovte časovač přeplnění, abyste měli jistotu, že nevypršel časovač.
Kontrolér nerozpoznal paměťovou kartu SD (Secure Digital)	Zkontrolujte správnou orientaci paměťové karty SD. Měděné plíšky kontaktů by měly být orientované k displeji kontroléru.
	Zkontrolujte, zda je karta SD zasunutá do slotu až na doraz a zaaretovaná pružinou.
	Zkontrolujte, zda je karta SD řádně zformátovaná pro FAT32. Formát MMC není podporován. Při formátování karty SD na počítači postupujte podle pokynů výrobce karty.
	Ověřte, zda karta nemá kapacitu větší než 32 GB.
	Zkontrolujte, zda je paměťová karta typu SD. Jiné typy karet (například xSD, micro SD, mini SD) nebudou správně fungovat.

Problém	Rozlišení
Informace se neukládají nebo se na kartu SD neukládají správně.	Zkontrolujte, zda je karta SD řádně zformátovaná pro FAT 32. Formát MMC není podporován. Při formátování karty SD na počítači postupujte podle pokynů výrobce karty.
	Pokud jste kartu SD již používali, zformátujte kartu pro FAT32, zasuňte kartu do kontroléru a zkuste stáhnout soubory.
	Zkuste použít jinou kartu SD.
Karta SD je plná	Kartu SD je možné číst pomocí počítače nebo jiného čtecího zařízení. Uložte důležité soubory a potom vymažte některé nebo všechny soubory z karty SD.
Kontrolér na kartě SD nenašel aktualizace softwaru.	Zkontrolujte, zda se při instalaci karty SD v kontroléru vytvořila příslušná složka. Aktualizační složka se vytvoří automaticky.
	Připojte kartu SD k počítači a zkontrolujte, zda příslušná aktualizací složka obsahuje soubory se softwarem.
	Pokud používáte stejnou kartu SD na několika kontrolérech, bude mít každý kontrolér v systému zvláštní složku. Zkontrolujte, zda se aktualizace softwaru nacházejí ve složce přidělené použitému kontroléru.
Displej svítí, ale nezobrazuje znaky, případně znaky jsou nejasné nebo neostré.	Nastavení kontrastu displeje
	Zkontrolujte, zda jste z displeje sejmuli ochrannou fólii.
	Očistěte vnější části kontroléru včetně displeje.
Kontrolér se nespustí, případně se spustí jen někdy	Zkontrolujte správné připojení napájecích konektorů ke kontroléru.
	Zkontrolujte, zda je správně zasunutá prodlužovačka, síťový kabel, nástěnná zástrčka.
	Spojte se s nejbližším servisním střediskem výrobce
Síťový modul a senzorový modul nebyly rozpoznány	Zkontrolujte, zda je modul správně nainstalovaný.
	Zkontrolujte, zda je volicí přepínač modulu nastaven na správné číslo.
	Odpojte senzorový modul a připojte jej do druhého analogového slotu. Zapněte napájení kontroléru a počkejte, až kontrolér provede detekci zařízení.
	Spojte se s nejbližším servisním střediskem výrobce.

Problém	Rozlišení
<p>Senzor nebyl rozpoznán</p> <p>Poznámka: Příklad možné zprávy na displeji: ****</p>	<p>Jedná-li se o analogový senzor a je-li v kontroléru nainstalován příslušný modul, vyhledejte si pokyny dodané společně se síťovým nebo senzorovým modulem.</p>
	<p>Zkontrolujte, zda je na vnitřní straně sestavy dvířek umístěný kabelový svazek digitálního konektoru a zda je kabelový svazek nepoškozený.</p>
	<p>Je-li digitální senzor připojen ke kontroléru s digitální svorkovnicí, uživatelskou kabelovou spojkou, digitálním prodlužovacím kabelem nebo uživatelským prodlužovacím kabelem, připojte senzor přímo ke kontroléru a proveďte detekci zařízení. Pokud kontrolér rozpozná senzor, zkontrolujte správné zapojení všech kabelových spojek a prodlužovacích kabelů.</p>
	<p>Zkontrolujte, zda jsou v kontroléru nainstalované pouze dva senzory. Přestože jsou k dispozici dva analogové porty pro modul, detekuje kontrolér v případě instalace digitálního senzoru a dvou analogových modulů pouze dvě ze tří zařízení.</p>
	<p>Spojte se s nejbližším servisním střediskem výrobce</p>
<p>Zobrazuje se chybová zpráva Chybějící zařízení</p>	<p>V nabídce Test/Údržba spusťte detekci zařízení.</p>
	<p>Vypněte a zapněte kontrolér</p>

Indholdsfortegnelse

[Specifikationer](#) på side 189

[Generelle oplysninger](#) på side 190

[Installation](#) på side 193

[Brugergrænseflade og navigation](#) på side 208

[Systemstart](#) på side 211

[Vedligeholdelse](#) på side 212

[Fejlsøgning](#) på side 213

Yderligere oplysninger

Der er yderligere oplysninger på forhandlerens hjemmeside.

Specifikationer

Specifikationerne kan ændres uden varsel.

Specifikation	Detaljer
Komponentbeskrivelse	Mikroprocessor- og menustyret kontrolenhed, der driver sensoren og viser målte værdier.
Driftstemperatur	-20 til 60 °C, 95 % relativ luftfugtighed, ikke-kondenserende med sensorbelastning <7 W, -20 til 50 °C med sensorbelastning <28 W
Opbevaringstemperatur	-20 til 70 °C (-4 til 158 °F), 95 % relativ luftfugtighed, ikke-kondenserende
Kabinet ¹	NEMA 4X/IP66-metalkabinet med korrosionsbestandig overflade
Strøm	Vekselstrømsstik 100-240 VAC ±10%, 50/60 Hz; Strøm 50 VA med 7 W sensor/netværksmodulladning, 100 VA med 28 W sensor/netværksmodulladning (valgfri Modbus, RS232/RS485, Profibus DPV1 eller HART-netværksforbindelse). Kontrolenhed med 24 VDC strømforsyning 24 VDC—15%, + 20%; Strøm 15 W med 7 W sensor/netværksmodulladning, 40 W med 28 W sensor/netværksmodulladning (valgfri Modbus, RS232/RS485, Profibus DPV1 eller HART-netværksforbindelse).
Højdekrav	Standard 2000 m (6562 fod) over havets overflade
Forureningsgrad/installationskategori	Forureningsgrad 2; Installationskategori II
Udgange	To analoge (0-20 mA eller 4-20 mA) udgange. Alle analoge udgange kan angives til at repræsentere et målt parameter som f.eks. pH, temperatur, bevægelse eller beregnede værdier. Det valgfrie modul leverer yderligere 2 analoge udgange (i alt 5).
Relæer	Fire SPDT, brugerkonfigurerede kontakter, 250 VAC-klassificeret, maks. på 5 Amp resistive for vekselstrømsstikket og 24 VDC, maks. på 5A resistive for jævnstrømsstikket. Relæer kan sluttes til vekselstrømsledningsnet (når controlleren drives af 115-240 VAC) eller jævnstrømskredsløb (når controlleren drives af 24 VDC).
Dimensioner	½ DIN—144 x 144 x 180,9 mm (5,7 x 5,7 x 7,12")
Vægt	1,7 kg (3,75 lb)
Oplysninger om overholdelse ²	CE-godkendt (med alle sensortyper). Anført til brug på almindelige placeringer i henhold til ETL-sikkerhedsstandarderne UL og CSA (med alle sensortyper). Visse modeller med vekselstrøm angives til anvendelse i generelle sikkerhedsområder iht. UL og CSA-sikkerhedsstandarder af UL (med alle sensortyper)

Specifikation	Detaljer
Digital kommunikation	Valgfri Modbus, RS232/RS485, Profibus DPV1 eller HART-netværksforbindelse til dataoverførsel
Datalogning	SD-kort (maks. 32 GB) eller særligt RS223-kabelstik til datalogning og udførelse af softwareopdateringer. Kontrolenheden vil beholde ca. 20.000 datapoint pr. sensor.
Garanti	2 år

¹ Enheder, der har UL-certificering (Underwriters Laboratories), er kun beregnet til indendørs anvendelse og har ikke en NEMA 4X/IP66-klassificering.

² Enheder med jævnstrøm er ikke angivet af UL.

Generelle oplysninger

Producenten kan under ingen omstændigheder holdes ansvarlig for direkte, indirekte, specielle, hændelige eller følgeskader der opstår på baggrund af en defekt eller udeladelse i denne vejledning. Producenten forbeholder sig ret til når som helst at foretage ændringer i denne manual og de beskrevne produkter uden varsel eller forpligtelser. Reviderede udgaver kan findes på producentens webside.

Oplysninger vedr. sikkerhed

BEMÆRKNING

Producenten er ikke ansvarlig for eventuelle skader på grund af forkert anvendelse eller misbrug af dette produkt, herunder uden begrænsning direkte skader, hændelige skader eller følgeskader, og fraskriver sig ansvaret for sådanne skader i det fulde omfang, som tillades ifølge gældende lov. Kun brugeren er ansvarlig for at identificere alvorlige risici ved anvendelsen og installere relevante mekanismer til beskyttelse af processerne i forbindelse med en eventuel fejl på udstyret.

Læs hele manualen, inden udpakning, installation eller betjening af dette udstyr. Overhold alle farehensvisninger og advarsler. Undladelse heraf kan medføre, at brugeren kommer alvorligt til skade eller beskadigelse af apparatet.

Kontroller, at den beskyttelse, som dette udstyr giver, ikke forringes. Du må ikke bruge eller installere dette udstyr på nogen anden måde end den, der er angivet i denne manual.

Brug af sikkerhedsoplysninger

▲ FARE

Angiver en eventuel eller overhængende farlig situation, der vil medføre dødsfald eller alvorlige kvæstelser, hvis den ikke undgås.

▲ ADVARSEL

Angiver en potentiel eller umiddelbart farlig situation, som kan resultere i død eller alvorlig tilskadekomst, hvis den ikke undgås.

▲ FORSIGTIG





Indikerer en potentiel farlig situation, der kan resultere i mindre eller moderat tilskadekomst.

BEMÆRKNING

Angiver en situation, der kan medføre skade på instrumentet, hvis ikke den undgås. Oplysninger, der er særligt vigtige.

Sikkerhedsmærkater

Læs alle skilte og mærkater, som er placeret på apparatet. Der kan opstå person- eller instrumentskade, hvis forholdsreglerne ikke respekteres. I håndbogen refereres der til et symbol på instrumentet med en forholdsregelklæring.

	Hvis dette symbol findes på instrumentet, henviser det til instruktionsmanualen vedrørende drifts- og/eller sikkerhedsoplysninger.
	Dette symbol angiver, at der er risiko for elektrisk stød og/eller dødsfald pga. elektrisk stød.
	Dette symbol angiver tilstedeværelsen af enheder, der er følsomme over for elektrostatisk afladning (ESD) og angiver, at der skal udvises forsigtighed for at forhindre beskadigelse af udstyret.
	Elektrisk udstyr markeret med dette symbol må ikke bortskaffes i det offentlige europæiske renovationsystem efter den 12. august 2005. I overensstemmelse med europæiske lokale og nationale forordninger (EU-direktiv 2002/96/EF) skal brugere af elektrisk udstyr nu returnere gammelt eller udtjent udstyr til producenten til bortskaffelse. Dette koster ikke brugeren noget.

Certificering

Canadian Radio Interference-Causing Equipment Regulation, IECS-003, Klasse A:

Producenten opbevarer understøttende testfortegnelser.

Dette Klasse A digitale apparat opfylder alle krav i the Canadian Interference-Causing Equipment Regulations.

Cet appareil numérique de classe A répond à toutes les exigences de la réglementation canadienne sur les équipements provoquant des interférences.

FCC del 15, klasse "A" grænser

Producenten opbevarer understøttende testfortegnelser. Enheden overholder Afs. 15 i FCCs regelsæt. Anvendelsen er underlagt følgende betingelser:

1. Udstyret må ikke forårsage skadelig interferens.
2. Udstyret skal acceptere modtaget interferens hvilket omfatter interferens, der kan forårsage uønsket drift.

Ændringer og modifikationer af dette udstyr, som ikke er udtrykkeligt godkendt af den part som er ansvarlig for overholdelsen, kan ophæve brugerens ret til at betjene udstyret. Dette udstyr er blevet testet og overholder grænserne for Klasse A digitalt udstyr i overensstemmelse med Afs. 15 af FCCs regelsæt. Disse grænser er designet til at yde rimelig beskyttelse mod skadelig interferens når udstyret betjenes i et kommercielt miljø. Dette udstyr genererer, bruger og kan udsende radiofrekvensenergi og kan, hvis det ikke installeres og anvendes i overensstemmelse med brugervejledningen, forårsage skadelige interferens for radiokommunikationer. Anvendelse af dette udstyr i et beboelsesområde vil sandsynligvis forårsage skadelig interferens, i hvilket tilfælde brugeren skal udbedre interferensen for egen regning. Følgende teknikker kan anvendes til at reducere problemer med interferens:

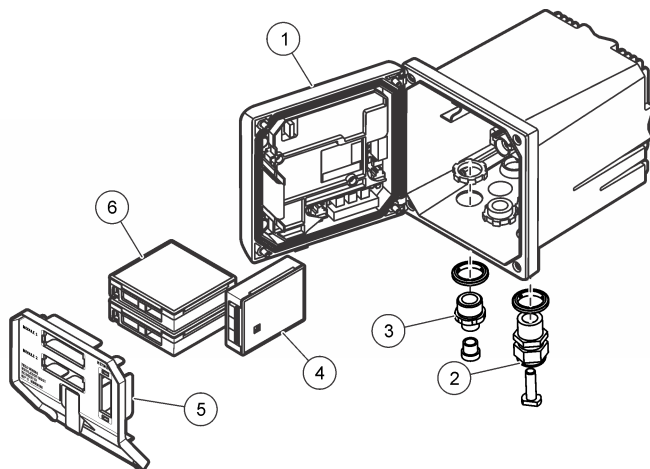
1. Afbryd udstyret fra strømkilden for at kontrollere om det er kilden til interferensen.
2. Hvis udstyret er forbundet til den samme stikkontakt som den enhed der oplever interferensen, skal udstyret forbindes til en anden stikkontakt.
3. Flyt udstyret væk fra den enhed som modtager interferensen.
4. Indstil modtageantennen på den enhed, der modtager interferens, igen.
5. Prøv kombinationer af ovennævnte.

Produktoversigt

Kontrolenheden viser sensormålinger og andre data, kan transmittere analoge og digitale signaler og kan fungere sammen med og styre andre enheder via udgange og relæer. Udgange, relæer, sensorer og sensormoduler konfigureres og kalibreres via brugergrænsefladen på kontrolenhedens forside.

Figur 1 viser produktkomponenterne. Der kan være forskellige komponenter afhængigt af kontrolenhedens konfiguration. Kontakt producenten, hvis nogle af delene er beskadiget eller mangler.

Figur 1 Systemkomponenter



1 Controller	4 Netværksmodul (ekstraudstyr)
2 Aflastningsenhed (ekstraudstyr, der afhænger af kontrolenhedens version)	5 Stærkstrømsbarriere
3 Digital tilslutning (ekstraudstyr, der afhænger af controllerens version).	6 Sensormoduler (ekstraudstyr)

Sensorer og sensormoduler

Kontrolenheden kan konfigureres med op til to sensormoduler eller to digitale sensorer (afhængigt af kontrolenhedens konfiguration) sammen med ét kommunikationsmodul. Der kan installeres en kombination af én digital sensor og ét sensormodul. Forskellige sensorer kan sluttes til sensormodulerne. Der findes oplysninger om kabling af sensorer i den tilhørende sensormanual og i brugervejledningen til de pågældende moduler.

Relæudgange og -signaler

Kontrolenheden har fire relækontakter, der kan konfigureres, og to analoge udgange. Med et analogt udgangsmodul (ekstraudstyr) kan antallet af analoge udgange øges til fem.

Enhedsscanninger

Med to undtagelser scanner kontrolenheden automatisk efter enheder, når den tændes. Den første undtagelse er det tidspunkt, hvor kontrolenheden tændes for første gang. Anden undtagelse er, når kontrolenhedens konfigurationsindstillinger er nulstillet til standardværdierne, og kontrolenheden tændes. I begge tilfælde viser kontrolenheden først skærmbillederne vedrørende indstilling af sprog, dato og tid. Når sprog, dato og tid er accepteret, kan kontrolenheden udføre en enhedsscanning. Se [Tilslut en digital sc-sensor](#) på side 207 for at få oplysninger om, hvordan der scannes for enheder, når kontrolenheden allerede er tændt.

Kontrolenhedens kabinet

Kontrolenhedens kabinet er klassificeret som NEMA 4X/IP66 og har en korrosionsbestandig overflade, der kan modstå påvirkning fra miljøet såsom saltsprøjt og hydrogensulfid. Ved udendørs brug anbefales det kraftigt at beskytte enheden mod skader fra miljøet.

BEMÆRK: Enheder, der har UL-certificering (Underwriters Laboratories), er kun beregnet til indendørs anvendelse og har ikke en NEMA 4X/IP66-klassificering.

Muligheder for montering af kontrolenhed

Kontrolenheden kan monteres på et panel, på en væg eller på et lodret eller vandret rør. En pakning af neopren medfølger og kan bruges til at mindske vibrationer. Pakningen kan bruges som skabelon til panelmontering, før den indvendige pakningsdel udskilles.

Installation

Monteringskomponenter og dimensioner

▲ FORSIGTIG

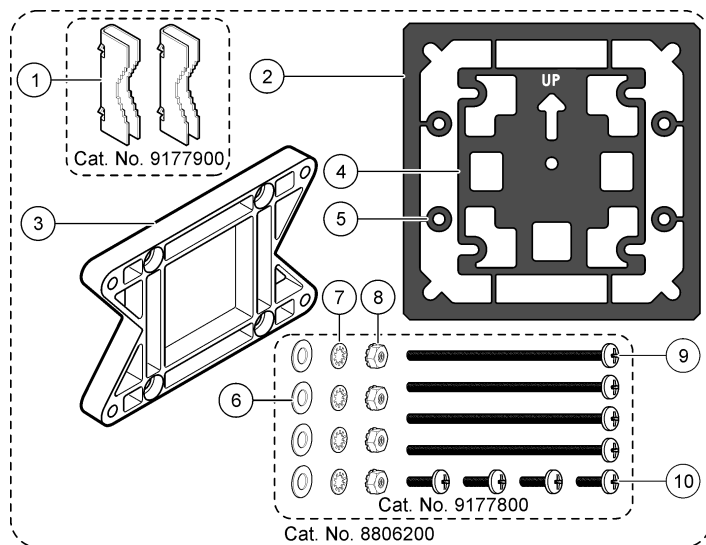
Risiko for personskade. Kun kvalificeret personale må udføre de opgaver, som er beskrevet i dette afsnit i brugervejledningen.

Controlleren kan monteres på en overflade, et panel eller i et rør (vandret eller lodret). Se [Figur 2](#), [Figur 3](#) på side 195, [Figur 4](#) på side 196, [Figur 5](#) på side 197 og [Figur 6](#) på side 198 vedrørende monteringsmuligheder og -instruktioner.

Ved montering på et vandret rør skal monteringsfødderne ([Figur 2](#)) fastgøres til monteringsbeslaget i lodret stilling.

Ved montering på både vandrette og lodrette rør skal monteringsbeslaget fastgøres til kontrolenheden som vist i [Figur 5](#) på side 197.

Figur 2 Monteringskomponenter

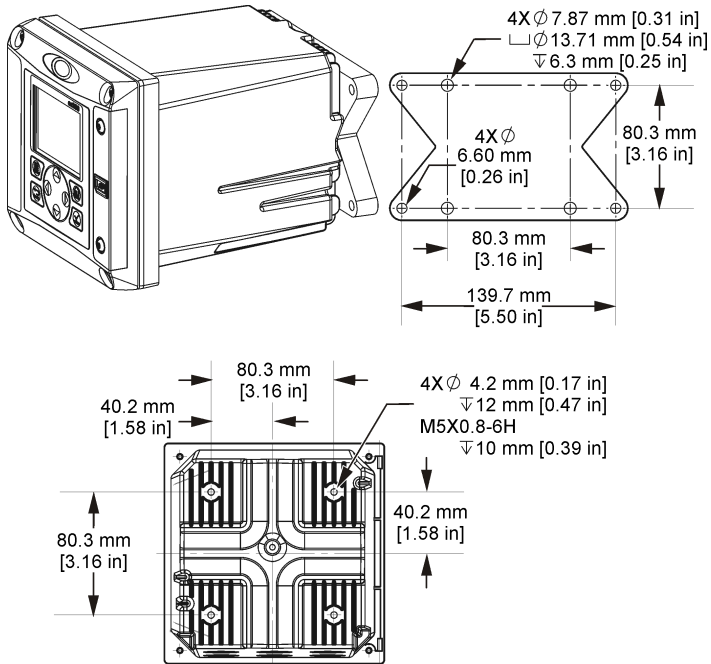


1 Monteringsfod (2 stk.)	6 Underlagsskive, ¼" ID (4 stk.)
2 Pakning til panelmontering, neopren	7 Låseskive, ¼" ID (4 stk.)
3 Beslag til væg- og rørmontering	8 M5 x 0,8 sekskantet møtrik (4 stk.)
4 Vibrationsisoleringspakning til rørmontering	9 Rundhovedskruer, M5 x 0,8 x 100 mm (4 stk.) (bruges til installationer med montering på rør med variabel diameter)
5 Vibrationsisoleringsspændeskive til rørmontering (4 stk.)	10 Rundhovedskruer, M5 x 0,8 x 15 mm (4 stk.)

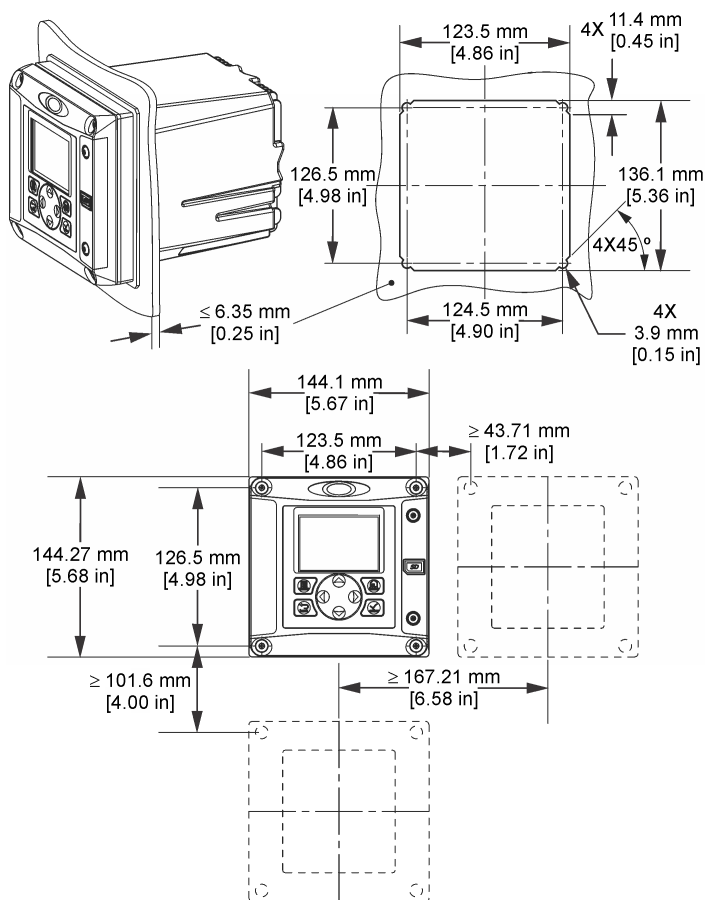
BEMÆRK: Et beslag til montering af panelet fås som valgfrit tilbehør.

Montering af kontrolenhed

Figur 3 Dimensioner for overflademontage

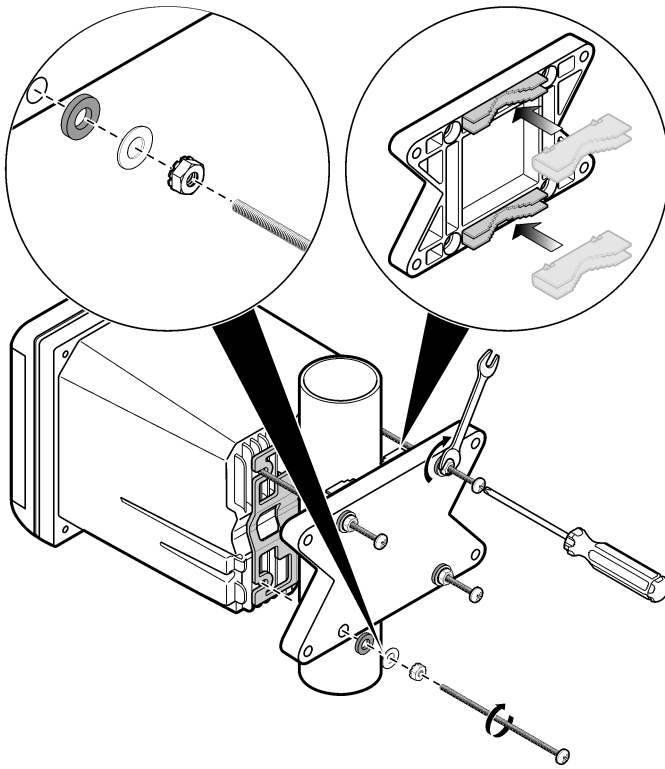


Figur 4 Dimensioner for panelmontering

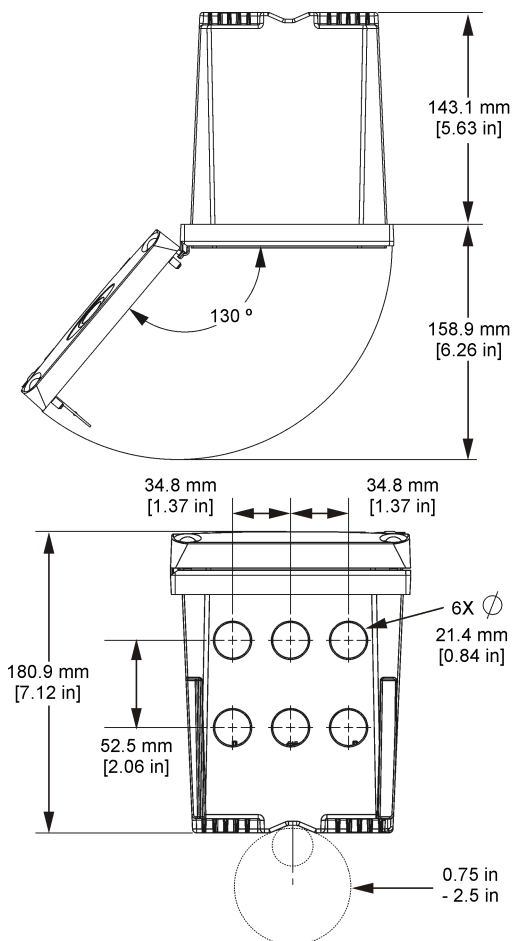


BEMÆRK: Hvis beslaget (valgfrit) bruges til montering af panelet, skal du skubbe kontrolenheden gennem hullet i panelet og derefter trække beslaget over kontrolenheden på bagsiden af panelet. Brug de fire 15 mm rundhovedskruer (medfølger) til at sætte beslaget på kontrolenheden og fastgøre kontrolenheden til panelet.

Figur 5 Rørmontering (lodret rør)



Figur 6 Visning oppefra og nedefra



Stærkstrømsbarriere

Højsspændingsledninger til kontrolenheden findes bag højsspændingsbarrieren i kontrolenhedens kabinet. Barrieren skal forblive på plads, undtagen ved installation af moduler eller når en kvalificeret installationstekniker trækker ledninger til strøm, alarmer, udgange eller relæer. Fjern ikke barrieren, mens der er strøm på kontrolenheden.

Hensyn i forbindelse med elektrostatisk udladning (ESD)

BEMÆRKNING



Potentiel instrumentskade. Følsomme elektroniske komponenter kan blive beskadiget af statisk elektricitet, hvilket resulterer i forringet ydelse eller eventuel defekt.

Se trinnene i denne procedure for at undgå ESD-skader på instrumentet.

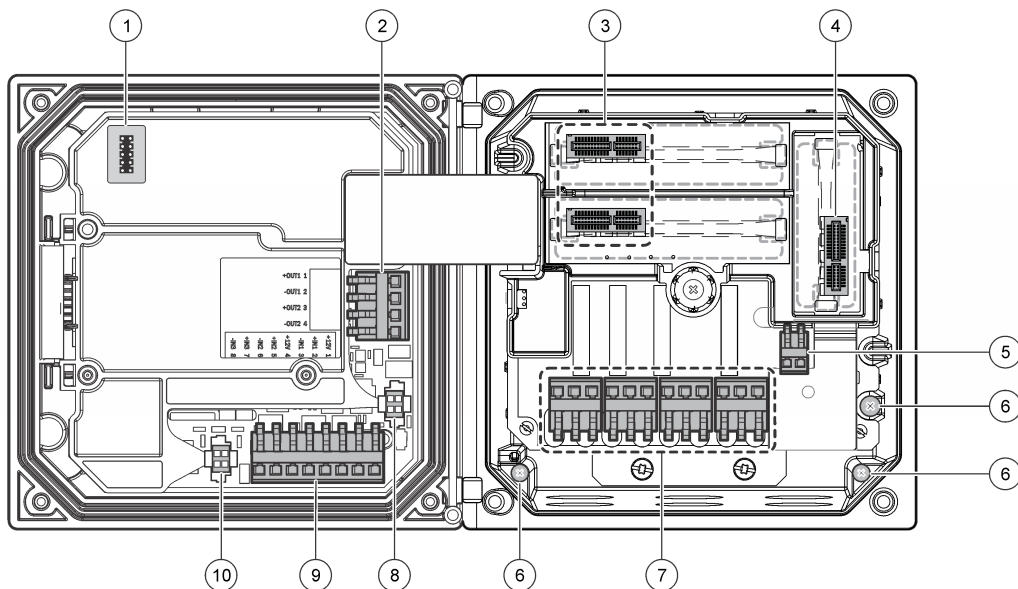
- Rør ved en metaloverflade med stelforbindelse som f.eks. et instrumentstel, et ledningsrør eller rør i metal for at aflade statisk elektricitet fra kroppen.

- Undgå overdreven bevægelse. Transporter komponenter, der er følsomme over for statisk elektricitet, i antistatiske beholdere eller emballage.
- Brug en håndledsrem, der via et kabel er forbundet til jord.
- Arbejd i et område uden statisk elektricitet med antistatisk gulvunderlag og bænkunderlag.

Oversigt over ledningsføring

Figur 7 viser en oversigt over ledningstilslutningerne inden i kontrolenheden med højspændingsbarrieren fjernet. Til venstre på figuren vises bagsiden af kontrolenhedens dæksel. **BEMÆRK:** Tag hættten af stikkene inden modulinstallationen.

Figur 7 Oversigt over ledningstilslutninger



1 Stik til servicekabel	5 Vekselstrøms- og jævnstrømsstik ¹	9 Stik til diskret indgangsledning ¹
2 4-20 mA udgang ¹	6 Jordklemmer	10 Stik til digital sensor ¹
3 Stik til sensormodul	7 Relættilslutninger ¹	
4 Kommunikationsmodulstik (f.eks. Modbus, Profibus, HART, valgfrit 4-20 mA-modul osv.)	8 Stik til digital sensor ¹	

¹ Terminaler kan fjernes for nemmere adgang.

Tilslutning af strømforsyning

▲ ADVARSEL



Risiko for livsfarligt elektrisk stød. Sørg altid for at slå strømmen til instrumentet fra, når du tilslutter strømførende elementer.

⚠ ADVARSEL



Risiko for livsfarligt elektrisk stød. Hvis dette udstyr anvendes udendørs eller på steder som kan være våde, skal der anvendes en **Jordfejlsafbryder** til at forbinde udstyret til dets netstrømkilde.

⚠ FARE



Stødfare. AC-strømmen må ikke slutes til en 24 VDC-forsynet model.

⚠ ADVARSEL



Risiko for livsfarligt elektrisk stød. Der kræves en beskyttende jordtilslutning til både 100-240 VAC og 24 VDC ledningerne. Hvis der ikke tilsluttes en god PE-jordforbindelse kan det medføre stødfarer og dårlig ydelse grundet elektromagnetiske forstyrrelser. Forbind ALTID en god PE-jordtilslutning til kontrolhedens terminal.

BEMÆRKNING

Installer enheden på et sted og i en position som giver nem adgang til afbryderenheden og dens drift.

Kontrolenheden findes i en model med 100-240 VAC strømforsyning og en model med 24 VDC strømforsyning. Følg de relevante ledningsføringsinstruktioner for den købte model.

Kontrolenheden kan slutes til ledningsnettet med fast ledningsføring i leder eller med en netledning. Uanset den anvendte ledning foretages tilslutningerne ved samme terminaler. Der skal bruges en lokal afbryder, som lever op til lokale forskrifter for elektriske dele og skal identificeres til alle installationstyper. Ved anvendelse af fast ledningsføring skal instrumentets effekt og jordforbindelse være 18 til 12 AWG.

Bemærkninger:

- Spændingsbarrieren skal fjernes, før der foretages elektriske tilslutninger. Når alle tilslutninger er foretaget, skal spændingsbarrieren monteres igen, før kontrolhedens dæksel lukkes.
- En aflastning af pakningstypen og en netledning med en længde på under 3 meter med tre ledere på 18 AWG (herunder en jordforbindelse) kan benyttes til at sikre NEMA 4X/IP66-miljøklassifikationen.
- Kontrolenheder kan bestilles med forinstallerede vekselstrømsnetledninger. Desuden kan yderligere netledninger bestilles.
- Den jævnstrømsforsyning, der lever strøm til kontrolenheden med 24 VDC, skal sørge for spændingsregulering inden for de angivne spændingsgrænser på -15 % til +20 %. Jævnstrømsforsyningen skal også yde tilstrækkelig beskyttelse mod overspænding og forsyningspændingstransienter.

Fremgangsmåde for ledningsføring

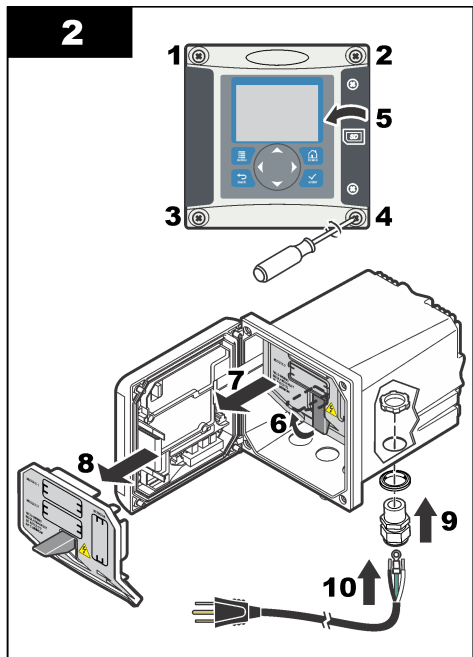
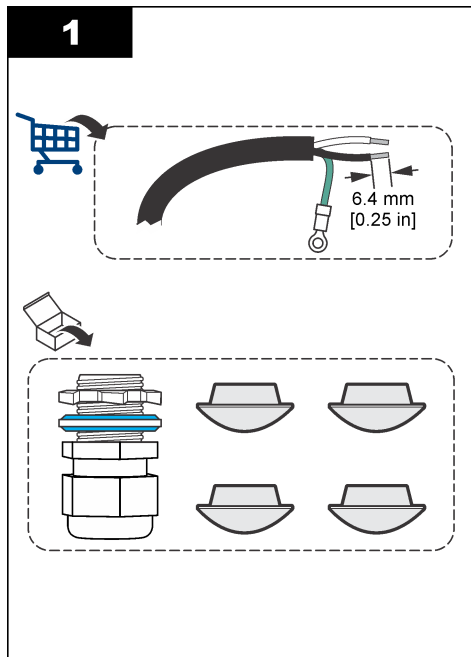
Se de efterfølgende illustrerede trin og [Tabel 1](#) eller [Tabel 2](#) for at slutte kontrolenheden til strøm. Før hver ledning ind i den relevante klemme, indtil isoleringen ligger ind mod stikket uden synlig uisoleret ledning. Hiv forsigtigt efter indføring for at sikre, at tilslutningen er sikker. Forsegl alle de åbninger som ikke anvendes i kontrolboksen med tætningspropper til røråbninger.

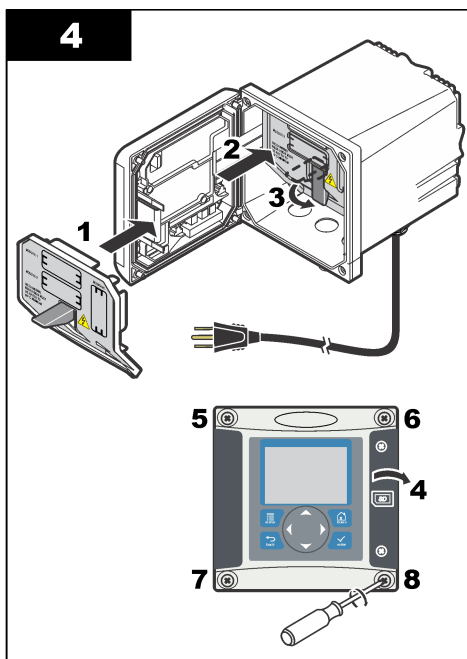
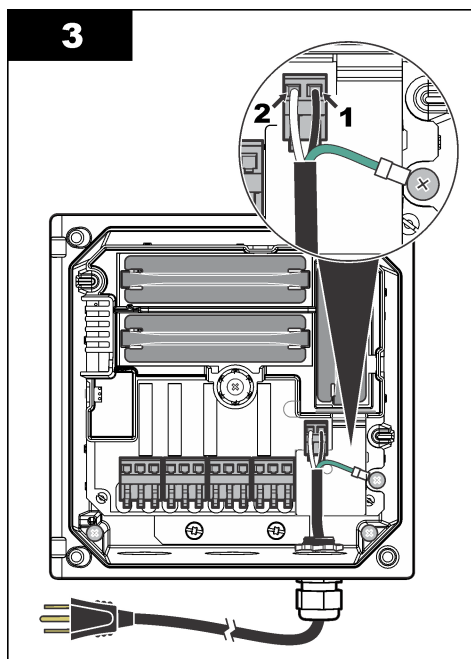
Tabel 1 Oplysninger om ledningsføring ved vekselstrømsforsyning (kun modeller med vekselstrømsforsyning)

Terminal	Beskrivelse	Farve - Nordamerika	Farve - Europa
1	Fase (L1)	Sort	Brun
2	Neutral (N)	Hvid	Blå
—	Jordforbindelse	Grøn	Grøn med gul stribe

Tabel 2 Oplysninger om ledningsføring ved jævnstrømsforsyning (kun modeller med jævnstrømsforsyning)

Terminal	Beskrivelse	Farve - Nordamerika	Farve - Europa
1	+24 V jævnstrøm	Rød	Rød
2	24 V retur	Sort	Sort
—	Jordforbindelse	Grøn	Grøn med gul stribe





Alarmer og relæer

Kontrolenheden er udstyret med fire enkeltpolrelæer uden strømforsyning med en effekt på 100-250 VAC, 50/60 Hz, 5 A modstandsmaksimum. Kontakter har en effekt på 250 VAC, 5 A modstandsmaksimum for kontrolenheden med vekselstrømforsyning og 24 VDC, 5 A modstandsmaksimum for kontrolenheden med jævnstrømforsyning. Relæerne er ikke godkendt til induktiv belastning.

Ledningsføring for relæer

⚠ ADVARSEL



Risiko for livsfarligt elektrisk stød. Sørg altid for at slå strømmen til instrumentet fra, når du tilslutter strømførende elementer.

⚠ ADVARSEL



Risiko for brand. Relækontakterne har en nominal effekt på 5 A og er sikringsbeskyttede. Eksterne belastninger, der sluttes til relæerne, skal have en strømbegrænsningsenhed, der begrænser strømmen til < 5 A.

⚠ ADVARSEL



Risiko for brand. De fælles relætilslutninger eller krydstråden fra ledningsnetttilslutningen indvendigt i instrumentet må forbindes i daisy-chain.

⚠ ADVARSEL



Risiko for livsfarligt elektrisk stød. For at opretholde kabinetts NEMA/IP-miljøklassifikation må der kun bruges lederfittings og kabelforskrutninger med en klassifikation på mindst NEMA 4X/IP66 til at føre kabler ind i instrumentet.

Kontrolenheder med vekselstrømforsyning (100—250 V)

Ledningskammeret er ikke designet til spændingstilslutninger på over 250 VAC.

Kontrolenheder med 24 VDC strømforsyning

⚠ ADVARSEL



Risiko for livsfarligt elektrisk stød. kontrollere med vekselstrøm (115 V-230 V) er udviklet til relætilslutninger til vekselstrømskredsløb (dvs. spænding over 16 V-RMS, 22,6 V-PEAK eller 35 VDC).

⚠ ADVARSEL



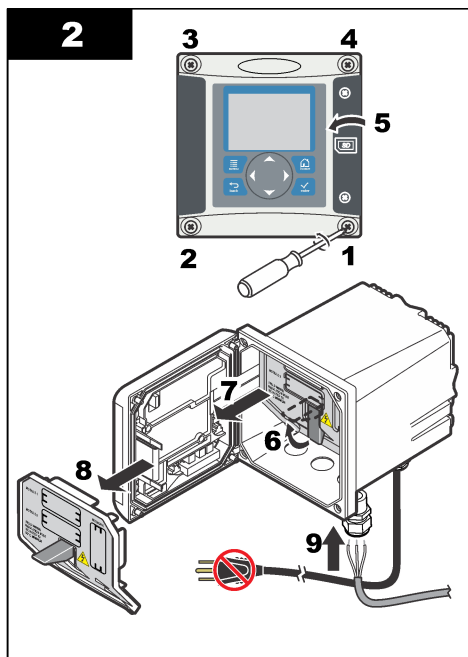
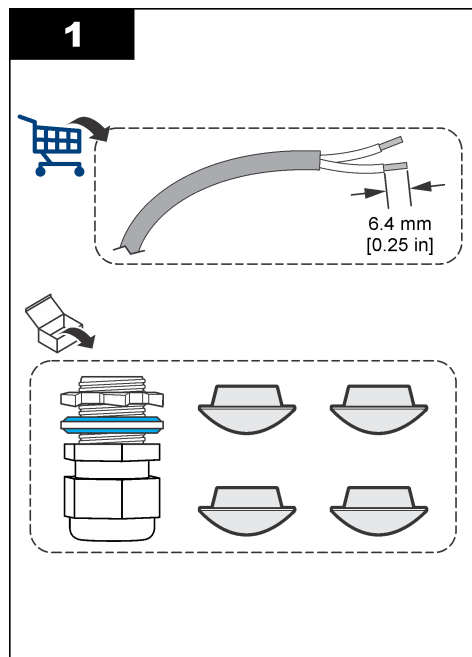
Risiko for livsfarligt elektrisk stød. kontrollere med 24 V er udviklet til relætilslutninger til lavspændingskredsløb (dvs. spænding under 16 V-RMS, 22,6 V-PEAK eller 35 VDC).

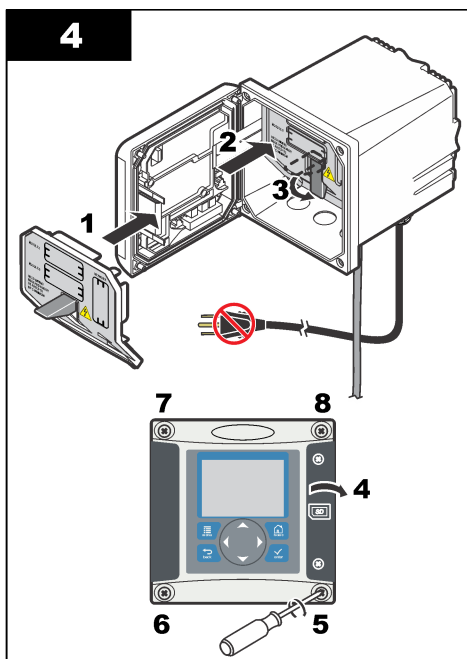
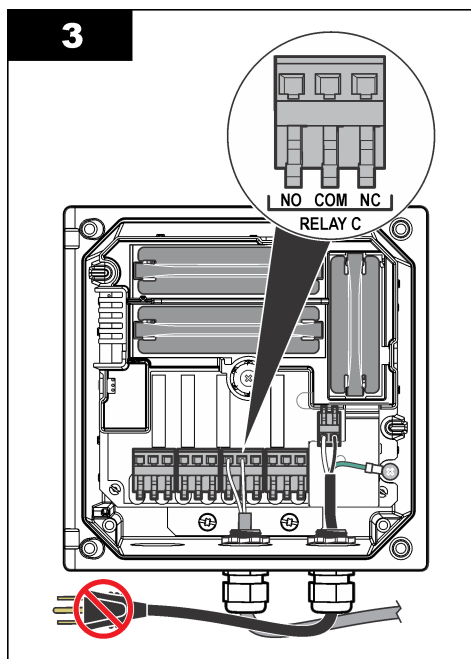
Kontrolenheden med 24 VDC strømforsyning er udviklet til tilslutninger til lavspændingskredsløb (f.eks. spænding under 30 V-RMS, 42,2 V-PEAK eller 60 VDC). Ledningskammeret er ikke designet til spændingstilslutninger over disse niveauer.

Relæforbinderen kan anvende 18-12 AWG-ledning (hvilket bestemmes af belastningen). Brug af ledninger med mindre end 18 AWG anbefales ikke.

NO- og COM-relækontakterne (Normally Open/Common) tilkobles, når en alarm eller en anden tilstand er aktiv. NC- og COM-relækontakterne (Normally Closed/Common) tilkobles, når en alarm eller en anden tilstand er inaktiv (medmindre fejlsikringen er slået til), eller når strømmen kobles fra kontrolenheden.

De fleste relætilslutninger bruger enten NO- og COM-klemmerne eller NC- og COM-klemmerne. De nummererede installationstrin viser tilslutningen til NO- og COM-klemmerne.





Analoge udgangstilslutninger

⚠ ADVARSEL



Risiko for livsfarligt elektrisk stød. Sørg altid for at slå strømmen til instrumentet fra, når du tilslutter strømførende elementer.

⚠ ADVARSEL



Risiko for livsfarligt elektrisk stød. For at opretholde kabinetets NEMA/IP-miljøklassifikation må der kun bruges lederfittings og kabelforskrninger med en klassifikation på mindst NEMA 4X/IP66 til at føre kabler ind i instrumentet.

Der er to isolerede analoge udgange (1 og 2) til rådighed (Figur 8). Disse udgange bruges ofte til analog signalering eller til at styre andre eksterne enheder.

Slut ledningerne til kontrolenheden som vist i Figur 8 og Tabel 3.

BEMÆRK: Figur 8 viser bagsiden af kontrolenhedens dæksel, ikke kontrolenhedens hovedrum.

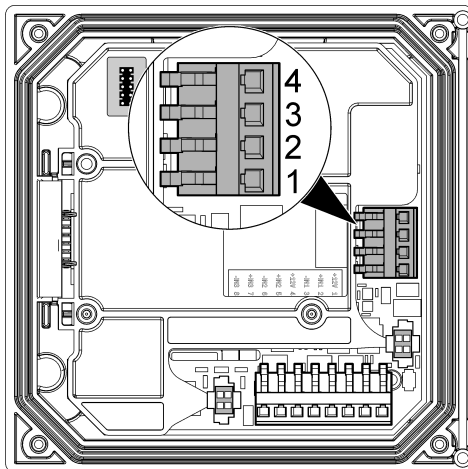
Tabel 3 Udgangstilslutninger

Optagerledninger	Placering på kredsløbskort
Udgang 2-	4
Udgang 2+	3
Udgang 1-	2
Udgang 1+	1

1. Åbn controllerens dæksel.
2. Før ledningerne gennem aflastningen.
3. Juster ledningen efter behov, og stram aflastningen.

4. Foretag tilslutning med parsnoede skærmede ledninger, og tilslut skærmen til den styrede komponentende eller i kredsløbsenden.
 - Slut ikke skærmen til begge ender af kablet.
 - Brug af uafskærmede kabler kan medføre et radiofrekvensudsendelses- eller følsomhedsniveau, der er højere end tilladt.
 - Den maksimale sløjfemodstand er 500 ohm.
5. Luk controllerens dæksel, og stram dækslets skruer.
6. Konfigurer udgange i controlleren.

Figur 8 Analoge udgangstilslutninger



Diskrete indgangsledningstilslutninger

▲ ADVARSEL



Risiko for livsfarligt elektrisk stød. Sørg altid for at slå strømmen til instrumentet fra, når du tilslutter strømførende elementer.

▲ ADVARSEL

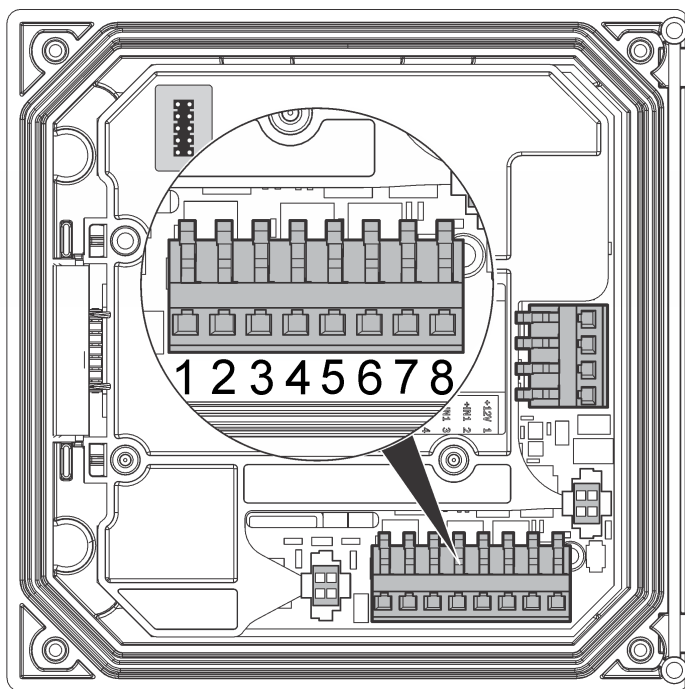


Risiko for livsfarligt elektrisk stød. For at opretholde kabinetets NEMA/IP-miljøklassifikation må der kun bruges lederfittings og kabelforskrutninger med en klassifikation på mindst NEMA 4X/IP66 til at føre kabler ind i instrumentet.

Der er tre diskrete indgange til kontaktslutningsindgange eller indgange for logisk niveauspænding. Foretag ledningstilslutninger, og konfigurer jumperindstillinger til kontrolenheden som vist i [Figur 9](#), [Tabel 4](#) og [Figur 10](#).

BEMÆRK: [Figur 9](#) viser bagsiden af kontrolenhedens dæksel, ikke kontrolenhedens hovedrum.

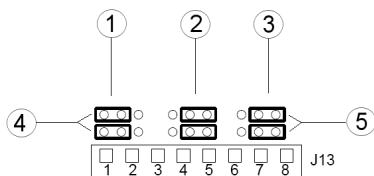
Figur 9 Diskrete indgangsledningstilslutninger



Tabel 4 Indgangstilslutninger

Diskrete indgange	Stikposition - kontaktindgang	Stikposition - spændingsindgang
Indgang 1+	3	2
Indgang 1-	2	3
Indgang 2+	6	5
Indgang 2-	5	6
Indgang 3+	8	7
Indgang 3-	7	8

Figur 10 Jumperindstillinger



1 Indgang 1-konfigurationsjumper	4 Jumperne placeret til venstre for kontaktindgange
2 Indgang 2-konfigurationsjumper	5 Jumperne placeret til højre for spændingsindgange
3 Indgang 3-konfigurationsjumper	

1. Åbn controllerens dæksel.
2. Indfør ledningerne gennem kabelbøsningen.
3. Juster ledningen efter behov, og stram kabelbøsningen.
4. Jumperne er placeret lige bag ved stikket. Fjern stikket for at få nemmere adgang til jumperne, og konfigurér jumperindstillingerne i overensstemmelse med indgangstypen som vist i [Figur 10](#).
5. Luk controllerens dæksel, og stram dækslets skruer.
6. Konfigurér indgange i kontrolenheden.

BEMÆRK: I *kontaktindgangstilstand* forsyner kontrolenheden kontakten med 12 volt, og den er ikke isoleret fra kontrolenheden. I *spændingsindgangstilstand* er indgangene isoleret fra kontrolenheden (brugerindgangsspænding mellem 0 og 30 volt).

Tilslut en digital sc-sensor

BEMÆRK: Tilslutning af en analog sensor er beskrevet i de instruktioner, der findes i modulet, eller i vejledningen til sensoren.

En digital sc-sensor kan sluttes til kontrolenheden med hurtigtilslutningen ([Figur 11](#)). En digital sc-sensor kan tilsluttes, mens kontrolenheden er tændt eller slukket.

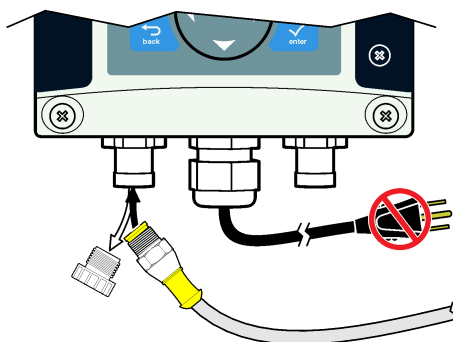
Når der tilsluttes en sensor, mens kontrolenheden er tændt, udfører kontrolenheden ikke automatisk en enhedsscanning. Du kan få kontrolenheden til at udføre en enhedsscanning ved at gå til menuen Test/Vedligeholdelse og vælge Scan enheder. Hvis der registreres en ny enhed, udfører kontrolenheden installationen uden brugerindgreb.

Når der tilsluttes en sensor, mens kontrolenheden er slukket, udfører kontrolenheden en enhedsscanning, når den tændes næste gang. Hvis der registreres en ny enhed, udfører kontrolenheden installationen uden brugerindgreb.

Gem tilslutningshætten til forsegling af tilslutningsåbningen i tilfælde af, at sensoren skal fjernes.

Figur 11 Hurtigtilslutning af digital sensor

1.



Tilslut den digitale kommunikationsudgang (ekstraudstyr)

Producenten understøtter kommunikationsprotokollerne Modbus RS485, Modbus RS232, Profibus DPV1 og HART. Det digitale udgangsmodul (ekstraudstyr) installeres det sted, der er angivet af pkt. 4 på [Figur 7](#) på side 199. Der er flere oplysninger i de instruktioner, som fulgte med netværksmodulet.

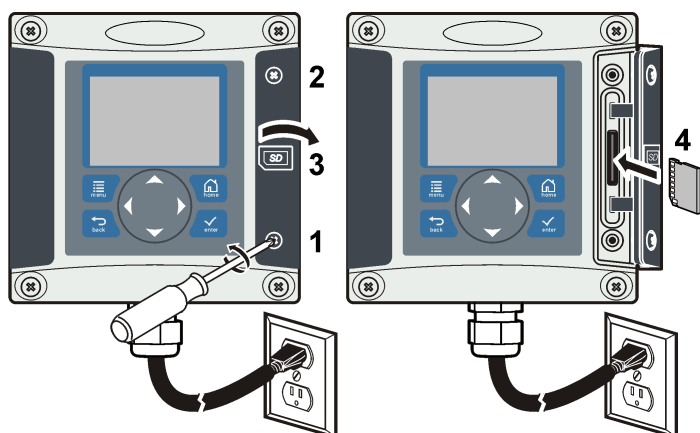
For at få oplysninger om Modbus-registre skal du gå til <http://www.hach-lange.com> eller <http://www.hach.com> og søge i *Modbus-registre* eller gå til en sc200-produktside.

Installer et SD-hukommelseskort (Secure Digital)

På [Figur 12](#) vises, hvordan et SD-kort sættes i kontrolenheden. Oplysninger om, hvordan SD-hukommelseskortet anvendes, kan findes i den udvidede udgave af denne vejledning.

Du fjerner et SD-kort ved at trykke på kortets kant og slippe igen, hvorefter kortet kan tages ud af åbningen. Luk dækslet over åbningen, og stram dækslets skrue, når kortet er taget ud.

Figur 12 Isætning af SD-kort

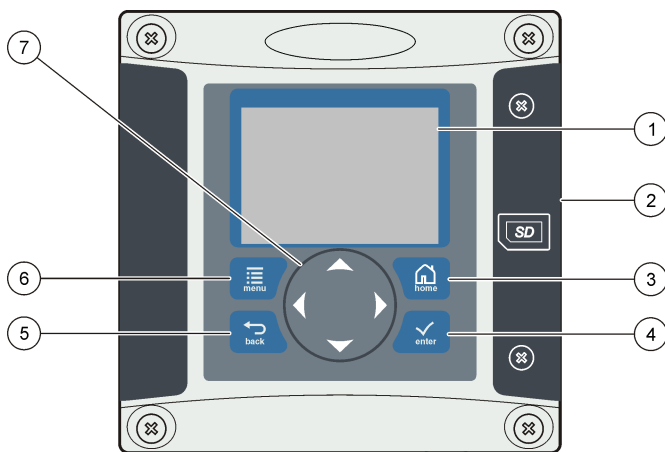


Brugergrenseflade og navigation

Brugerflade

Tastaturet har fire menutaster og fire piletaster som vist på [Figur 13](#).

Figur 13 Oversigt over tastatur og frontpanel



1 Instrumentskærm	5 Tasten BACK (tilbage). Går et niveau tilbage i menustrukturen.
2 Dæksel til åbning til SD-hukommelseskort (Secure Digital)	6 Tasten MENU . Går til menuen Indstillinger fra andre skærbilleder og undermenuer.
3 Tasten HOME (Start). Går til hovedmåleskærbilledet fra andre skærbilleder og undermenuer.	7 Piletaster. Bruges til at navigere i menuer, ændre indstillinger og øge eller mindske talværdier.
4 Tasten ENTER . Godkender indtastede værdier, opdateringer eller viste menupunkter.	

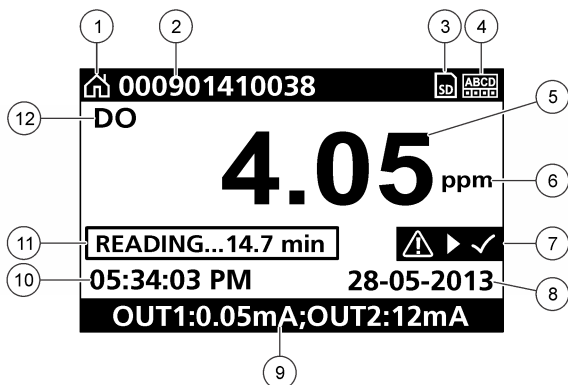
Opsætning og konfiguration af indgange og udgange foretages fra frontpanelet ved hjælp af tastaturet og skærmen. Denne brugergrænseflade anvendes til opsætning og konfiguration af indgange og udgange, oprettelse af logoplysninger og beregnede værdier og kalibrering af sensorer. SD-grænsefladen kan bruges til at gemme logfiler og opdatere software.

Skærm

Figur 14 viser et eksempel på skærbilledet med en DO-sensor forbundet til kontrolenheden.

På skærmen på frontpanelet vises sensormålingsdata, kalibrerings- og konfigurationsindstillinger, fejl, advarsler og andre oplysninger.

Figur 14 Eksempel på skærbillede



1 Ikon for startskærbillede	7 Advarselsstatuslinje
2 Sensornavn	8 Dato
3 Ikon for SD-hukommelseskort	9 Analoge udgangsværdier
4 Indikator for relæstatus	10 Tid
5 Måleværdi	11 Statuslinje
6 Måleenhed	12 Måleparameter

Tabel 5 Ikonbeskrivelser

Ikon	Beskrivelse
Startskærbillede	Der kan blive vist forskellige ikoner afhængigt af det skærbillede eller den menu, der vises. Hvis der f.eks. er installeret et SD-kort, vises et SD-kortikon her, når brugeren er i menuen SD-kort opsætning.
SD-hukommelseskort	Ikonet vises kun, hvis der er et SD-kort i kortlæseråbningen. Når brugeren er i menuen SD-kort opsætning, vises dette ikon i øverste venstre hjørne
Advarsel	Et advarselsikon er et udråbstegn i en trekant. Advarselsikoner vises til højre på hovedskærbilledet under måleværdien. Tryk på ENTER -tasten, og vælg derefter enheden for at få vist eventuelle problemer på den pågældende enhed. Advarselsikonet vises ikke længere, når alle problemer er løst eller accepteret.
Fejl	Et fejlikon er et udråbstegn i en cirkel. Hvis der opstår en fejl, blinker fejlikonet og målings-skærbilledet skiftevis på hovedskærmen. Tryk på MENU -tasten, og vælg Diagnostics (Diagnosticering) for at få vist fejl. Vælg derefter enheden for at få vist eventuelle problemer på den pågældende enhed.

Yderligere skærmvisninger

- På måleskærbilledet skal du trykke på **OP** og **NED** piletasterne for at skifte mellem måleparametre
- På måleskærbilledet skal du trykke på **HØJRE** piletast for at skifte til en delt skærm med op til 4 måleparametre. Tryk på **HØJRE** piletast for at medtage flere målinger. Tryk efter behov på **VENSTRE** piletast for at vende tilbage til måleskærbilledet
- På måleskærbilledet skal du trykke på **VENSTRE** piletast for at skifte til det grafiske display (se [Grafisk display](#) på side 210 vedrørende definition af parametre). Tryk på **OP**- og **NED** piletasterne for at skifte målegrafer

Grafisk display

Grafen viser koncentrations- og temperaturmålinger for hver af de benyttede kanaler. Grafen giver nem overvågning af trends og viser ændringer i processen.

1. På det grafiske display skal du bruge piletasterne op og ned til at vælge en graf og trykke på **HOME**-tasten.
2. Vælg en funktion:

Funktion	Beskrivelse
MEASUREMENT VALUE (MÅLEVÆRDI)	Indstil måleværdien for den valgte kanal. Vælg mellem Auto Scale (Automatisk skalering) og Manually Scale (Manuel skalering). For manuel skalering skal du indtaste de mindste og største måleværdier
DATE & TIME RANGE (OMRÅDE FOR DATO OG TID)	Vælg dato- og tidsområdet blandt de tilgængelige valgmuligheder

Systemstart

Når systemet tændes, vises skærbillederne Language (Sprog), Date Format (Datoformat) og Dato/tid i den rækkefølge. Når indstillingerne er angivet, udfører kontrolenheden en enhedsscanning og viser meddelelsen **Scanner efter enheder. Vent venligst...** Hvis der registreres en ny enhed, installeres den af kontrolenheden, før hovedmåleskærbilledet vises.

Hvis scanningen finder tidligere installerede enheder uden konfigurationsændringer, vises hovedmåleskærbilledet for enheden på position 1, lige efter scanningen er færdig.

Hvis en enhed er fjernet fra kontrolenheden eller ikke findes i næste scanning udført ved systemstart eller fra menuen, vises meddelelsen **Enhed mangler** på kontrolenheden, og brugeren bliver spurgt, om den manglende enhed skal slettes.

Hvis der ikke er sluttet en sensor til et installeret analogt modul, vises en fejl på kontrolenheden. Se [Fejlsøgning](#) på side 213, hvis der er tilsluttede enheder, der ikke findes af kontrolenheden.

Indstil sprog, dato og tid for første gang

Kontrolenheden viser skærbillederne til indstilling af sprog, dato og tid, når kontrolenheden tændes første gang, eller når konfigurationsindstillingerne nulstilles til standardværdierne.

Efter indstilling af sprog angives indstillingerne for dato og tidspunkt for første gang – opdater indstillinger, når det er nødvendigt, ved hjælp af indstillingsmenuen for sc200.

1. Fremhæv et sprog på listen med punkter på skærbilledet Language (Sprog), og tryk på **ENTER**-tasten. Standardsproget for kontrolenheden er engelsk. Det valgte sprog gemmes. Skærbilledet Date Format (Datoformat) vises.
2. Fremhæv et format på skærbilledet Date Format (Datoformat), og tryk på **ENTER**-tasten. Formatet for dato og tid gemmes. Derefter vises skærbilledet Dato/tid.
3. På skærbilledet Dato/tid kan du trykke på **HØJRE** eller **VENSTRE** piletast for at fremhæve et felt og derefter trykke på piletast **OP** og **NED** for at opdatere værdien i feltet. Opdater de øvrige felter efter behov.
4. Tryk på **ENTER**-tasten. Ændringerne gemmes, og kontrolenheden udfører en startscanning efter enheder. Hvis der bliver fundet tilsluttede enheder, vises hovedmåleskærbilledet for enheden på position 1. Se [Fejlsøgning](#) på side 213, hvis kontrolenheden ikke kan finde nogen tilsluttede enheder.

Oplysninger om konfiguration af kontrolenheden

I denne tabel findes generelle oplysninger om konfigurationsmuligheder.


1. Du kan gå til menupunkterne ved at vælge sc200 Opsætning i Indstillinger.

Funktion	Beskrivelse
Security setup (Sikkerhedsindstilling)	Angiver indstillinger for kodeord.
Udgangsindstilling	Konfigurerer kontrolenhedens analoge udgange

Funktion	Beskrivelse
Relay setup (Opsætning af relæ)	Konfigurerer kontrolenhedens relæer
Skærmopsætning	Konfigurerer kontrolenhedens skærm
Set Date/Time (Indstil dato/tid)	Indstiller tid og dato på kontrolenheden
Datalog setup (Datalogindstilling)	Konfigurerer indstillinger for logning af data. Kun tilgængelig, hvis beregning er konfigureret.
Administrer data	Vælg enheden på en liste med installerede komponenter for at få vist dataene eller hændelsesloggen
Error Hold Mode (Fejlholdetilstand)	Hold outputs (Hold udgange)—Holder udgange ved sidst kendte værdi, hvis kontrolenhedens kommunikation med sensoren afbrydes. Transfer outputs (Overfør udgange)—Skifter til overførselstilstand, hvis kontrolenhedens kommunikation med sensoren afbrydes. Udgange skifter til en foruddefineret værdi.
Beregning	Konfigurerer kontrolenhedens matematiske funktion
sc200 Information	SW VER: —Viser den aktuelle version for kontrolenhedens software Bootloader VER: —Viser den aktuelle bootloader-version. Bootloader er en fil, der indlæser kontrolenhedens hovedoperativsystem S/N: —Viser kontrolenhedens serienummer Version: —Viser den aktuelle version for kontrolenhedens hardware
Discrete Input Setup (Indstilling af separat indgang)	Konfigurerer tre diskrete indgangskanaler
Language (Sprog)	Angiver det sprog, der bruges i kontrolenheden

- Vælg en mulighed, og tryk på **ENTER** for at aktivere menupunktet.

Vedligeholdelse

▲ FORSIGTIG	
	Flere risici Kun kvalificeret personale må udføre de opgaver, som er beskrevet i dette afsnit i dokumentet.

Rengøring af controlleren

▲ FARE	
	Frakobl altid strømmen fra controlleren, før der udføres vedligeholdelsesarbejde.

BEMÆRK: Anvend aldrig brændbare rengøringsmidler til rengøring af controllerens komponenter. Anvendelse af sådanne rengøringsmidler kan forringe enhedens miljøbeskyttelse og medføre ugyldiggørelse af garantien.

- Sørg for, at controlleren er helt lukket.
- Tør controllerens indre med en klud, der er gjort fugtig med vand eller med en blanding af vand og et mildt rengøringsmiddel.

Fejlsøgning

Problem	Opløsning
Ingen strømudgang	Kontroller konfigurationen af strømudgangen.
	Afprøv signalet fra strømudgangen ved hjælp af undermenuen Test/Vedligeholdelse. Indfør en strømværdi, og kontroller udgangssignalet ved tilslutningerne på kontrolenheden.
	Kontakt teknisk support.
Forkert strømudgang	Kontroller konfigurationen af strømudgangen.
	Afprøv signalet fra strømudgangen ved hjælp af undermenuen Test/Vedligeholdelse. Indfør en strømværdi, og kontroller udgangssignalet ved tilslutningerne på kontrolenheden. Kalibrer udgangen, hvis udgangssignalet er forkert.
Ingen relæaktivering	Sørg for, at relætilslutningerne sidder godt fast.
	Kontroller, at relæledningsføringen er korrekt, hvis der bruges en ekstern strømkilde.
	Kontroller, at relækonfigurationen er korrekt.
	Afprøv relæaktiveringen ved hjælp af menuen Test/Vedligeholdelse. Relæet bør slå til og fra som valgt.
	Kontroller, at kontrolenheden ikke er i kalibreringstilstand, og at relæet ikke holdes.
	Nulstil overfødnings timeren for at sikre, at timeren ikke er udløbet.
SD-hukommelseskort (Secure Digital) genkendes ikke af kontrolenheden	Kontroller, at SD-kortet vender rigtigt. Kobbersporene skal vende mod kontrolenhedens skærm.
	Kontroller, at SD-kortet er sat helt ind i åbningen, og at fjederlåsen er aktiveret.
	Kontroller, at SD-kortet er formateret rigtigt i FAT32-format. MMC-format understøttes ikke. Formater SD-kortet på en pc ved at følge kortproducentens vejledning.
	Kontroller, at SD-kortets kapacitet højst er på 32 GB.
	Kontroller, at der anvendes et SD-kort. Andre typer kort (f.eks. xSD, mikro-SD, mini-SD) fungerer ikke korrekt.
Oplysninger gemmes ikke eller gemmes ikke rigtigt på SD-kortet.	Kontroller, at SD-kortet er formateret rigtigt i FAT 32-format. MMC-format understøttes ikke. Formater SD-kortet på en pc ved at følge kortproducentens vejledning.
	Hvis SD-kortet har været brugt tidligere, skal du formatere kortet i FAT32-format, sætte kortet i kontrolenheden og prøve at overføre filer.
	Prøv med et andet SD-kort.
SD-kort fuldt	Aflæs SD-kortet med en pc eller en kortlæser. Gem de vigtigste filer, og slet derefter nogle eller alle filer på SD-kortet.

Problem	Opløsning
Kontrolenheden kan ikke finde softwareopdateringer på SD-kortet.	Sørg for, at der oprettes en egnet mappe ved at installere SD-kortet i controlleren. Der oprettes automatisk en opdateringsmappe.
	Sæt SD-kortet i en pc, og kontroller, at softwarefilerne findes i den relevante opdateringsmappe.
	Hvis samme SD-kort bruges sammen med flere kontrolenheder, har hver kontrolenhed en særskilt mappe på systemet. Kontroller, at softwareopdateringerne findes i den mappe, som hører til den anvendte kontrolenhed.
Skærmen er tændt, men der vises ingen tegn, eller tegnene vises svagt eller sløret.	Juster skærkontrasten
	Kontroller, at beskyttelsesfilmen er fjernet fra skærmen.
	Rengør kontrolenheden udvendigt, herunder skærmen.
Kontrolenhed starter ikke eller starter kun en gang imellem	Kontroller, at vekselstrømsforbindelserne sidder godt fast i kontrolenheden.
	Kontroller, at tilslutningerne til såvel stikkåse, ledningsnet og stikkontakt sidder godt fast.
	Kontakt teknisk support
Netværks- eller sensormodul genkendes ikke	Kontroller, at modulet er isat korrekt.
	Kontroller, at modulvalgskontakten er indstillet på det rigtige nummer.
	Tag sensormodulet ud, og sæt det i den anden analoge åbning. Tænd for strømmen til kontrolenheden, og lad kontrolenheden udføre en enhedsscanning.
	Kontakt teknisk support.
Sensor genkendes ikke BEMÆRK: Eksempel på mulig displaymeddelelse: ****	Hvis sensoren er en analog sensor, og der er sat et tilsvarende modul i kontrolenheden, skal du se de instruktioner, der fulgte med netværks- eller sensormodulet.
	Kontroller, at ledningsnettet til det digitale stik er fastgjort indvendigt på dørmodulet, og at ledningsnettet ikke er beskadiget.
	Hvis den digitale sensor er sluttet til kontrolenheden med en digital termineringsboks, forgreningsdåse leveret af brugeren, digitale forlænger kabler eller et forlængerkabel leveret af brugeren, skal du slutte sensoren direkte til kontrolenheden og udføre en enhedsscanning. Hvis kontrolenheden genkender sensoren, skal du kontrollere, at al ledningsføring i forgreningsdåserne eller forlængerkablerne er korrekt.
	Kontroller, at der kun er sat to sensorer i kontrolenheden. Hvis der isættes en digital sensor og to analoge moduler, kan kontrolenheden kun se to af de tre enheder, selvom der er to analoge modulporte til rådighed.
	Kontakt teknisk support
Fejlmeddelelsen Enhed mangler vises	Udfør en enhedsscanning fra menuen Test/Vedligeholdelse.
	Sluk kontrolenheden, og tænd den igen

Inhoudsopgave

[Specificaties](#) op pagina 215

[Algemene informatie](#) op pagina 216

[Installatie](#) op pagina 219

[Gebruikersinterface en navigatie](#) op pagina 235

[Het systeem starten](#) op pagina 237

[Onderhoud](#) op pagina 238

[Problemen oplossen](#) op pagina 239

Meer informatie

Meer informatie vindt u op de website van de fabrikant

Specificaties

Specificaties kunnen zonder kennisgeving vooraf worden gewijzigd.

Specificatie	Details
Componentomschrijving	Microprocessorgestuurde en menugestuurde controller die de sensor aanstuurt en meetwaarden weergeeft.
Temperatuurbereik gebruik	-20 tot 60 °C (-4 tot 140 °F); 95% relatieve vochtigheid, niet-condenserend bij sensorbelasting <7 W; -20 tot 50 °C (-4 tot 104 °F) bij sensorbelasting <28 W
Temperatuurbereik opslag	-20 tot 70 °C (-4 tot 158 °F); 95% relatieve vochtigheid, niet-condenserend
Behuizing ¹	Metalen behuizing met corrosiebestendige toplaag volgens NEMA 4X/IP66
Voeding	Controller met AC-voeding: 100-240 V AC ±10%, 50/60 Hz; vermogen 50 VA bij 7 W sensor/netwerkmodule-belasting, 100 VA bij 28 W sensor/netwerkmodule-belasting (optioneel Modbus, RS232/RS485, Profibus DPV1 of HART-netwerkaansluiting). Controller met 24 V DC-voeding 24 V DC—15%, + 20%; vermogen 15 W bij 7 W sensor/netwerkmodule-belasting, 40 W bij 28 W sensor/netwerkmodule-belasting (optioneel Modbus, RS232/RS485, Profibus DPV1 of HART-netwerkaansluiting).
Gebruikshoogte	Standaard 2000 m boven NAP
Vervuilingsgraad/installatiecategorie	Vervuilingsgraad 2; installatiecategorie II
Uitgangen	Twee analoge uitgangen (0-20 mA of 4-20 mA). Elke analoge uitgang kan worden toegewezen voor een gemeten parameter, zoals pH, temperatuur, flow of berekende waarden. De module kan optioneel drie extra analoge uitgangen (5 in totaal) voeden.
Relais	Vier SPDT, door de gebruiker te configureren contacten van 250 V AC, 5 A resistief maximaal voor de controller met AC-voeding en met 24 V DC-voeding, 5 A resistief maximaal voor de controller met DC-voeding. Relais zijn bedoeld voor aansluiting op AC-netspanningscircuits (d.w.z. wanneer de controller werkt op een spanning van 115 - 240 V AC) of DC-circuits (d.w.z. wanneer de controleer op een spanning van 24 V DC werkt).
Afmetingen	½ DIN—144 x 144 x 180,9 mm (5,7 x 5,7 x 7,12 inch)
Gewicht	1,7 kg

Specificatie	Details
Nalevingsinformatie ²	CE-goedkeuring (met alle sensortypes). Goedgekeurd voor gebruik op algemene locaties door ETL volgens de UL- en CSA-veiligheidsnormen (met alle sensortypes). Bepaalde modellen met AC-voeding zijn gecatalogiseerd voor gebruik in algemene veiligheidslocaties volgens de UL- en CSA-veiligheidsnormen van Underwriters Laboraties (met alle sensortypes).
Digitale communicatie	Optionele Modbus, RS232/RS485, Profibus DPV1 of HART-netwerkaansluiting voor datatransmissie
Datalogging	Secure Digital-kaart (max. 32 GB) of speciale RS232-kabelconnector voor logboekregistratie en software-updates. De controller slaat circa 20.000 gegevenspunten per sensor op.
Garantie	2 jaar

¹ Eenheden die zijn voorzien van het Underwriters Laboratories (UL)-certificaat zijn uitsluitend bedoeld voor binnenopstelling en voldoen niet aan NEMA 4X/IP66-classificatie.

² Eenheden met DC-voeding worden niet door UL gecatalogiseerd.

Algemene informatie

De fabrikant kan onder geen enkele omstandigheid aansprakelijk worden gesteld voor directe, indirecte, speciale, incidentele of continue schade die als gevolg van enig defect of onvolledigheid in deze handleiding is ontstaan. De fabrikant behoudt het recht om op elk moment, zonder verdere melding of verplichtingen, in deze handleiding en de producten die daarin worden beschreven, wijzigingen door te voeren. Gewijzigde versies zijn beschikbaar op de website van de fabrikant.

Veiligheidsinformatie

LET OP

De fabrikant is niet verantwoordelijk voor enige schade door onjuist toepassen of onjuist gebruik van dit product met inbegrip van, zonder beperking, directe, incidentele en gevolgschade, en vrijwaart zich volledig voor dergelijke schade voor zover dit wettelijk is toegestaan. Uitsluitend de gebruiker is verantwoordelijk voor het identificeren van kritische toepassingsrisico's en het installeren van de juiste mechanismen om processen te beschermen bij een mogelijk onjuist functioneren van apparatuur.

Lees deze handleiding voor het instrument uit te pakken, te installeren of te gebruiken. Let op alle waarschuwingen. Wanneer u dit niet doet, kan dit leiden tot ernstig letsel of schade aan het instrument.

Controleer voor gebruik of het instrument niet beschadigd is. Het instrument mag op geen andere wijze gebruikt worden dan als in deze handleiding beschreven.

Gebruik van gevareninformatie

▲ GEVAAR

Geeft een potentieel gevaarlijke of dreigende situatie aan die, als deze niet kan worden voorkomen, kan resulteren in dodelijk of ernstig letsel.

▲ WAARSCHUWING

Geeft een potentieel of op handen zijnde gevaarlijke situatie aan, die als deze niet wordt vermeden, kan leiden tot dood of ernstig letsel.

▲ VOORZICHTIG





Geeft een mogelijk gevaarlijke situatie aan die kan resulteren in minder ernstig letsel of lichte verwondingen.

LET OP

Duidt een situatie aan die (indien niet wordt voorkomen) kan resulteren in beschadiging van het apparaat. Informatie die speciaal moet worden benadrukt.

Waarschuwingslabels

Lees alle labels en etiketten die op het instrument zijn bevestigd. Het niet naleven van deze waarschuwingen kan leiden tot letsel of beschadiging van het instrument. In de handleiding wordt door middel van een veiligheidsvoorschrift uitleg gegeven over een symbool op het instrument.

	Dit symbool, indien op het instrument aangegeven, verwijst naar de handleiding voor bediening en/of veiligheidsinformatie.
	Dit symbool geeft aan dat er een risico op een elektrische schok en/of elektrocutie bestaat.
	Dit symbool wijst op de aanwezigheid van apparaten die gevoelig zijn voor elektrostatische ontlading en geeft aan dat voorzichtigheid betracht dient te worden om schade aan de apparatuur te voorkomen.
	Het is sinds 12 augustus 2005 niet meer toegestaan elektrische apparatuur, voorzien van dit symbool, af te voeren via Europese openbare afvalverwerkingsystemen. In overeenstemming met Europese lokale en nationale voorschriften (EU-richtlijn 2002/96/EG) dienen Europese gebruikers van elektrische apparaten hun oude of versleten apparatuur naar de fabrikant te retourneren voor kosteloze verwerking.

Certificering

IECS-003 certificering ten aanzien van radio-interferentie, Klasse A:

Aanvullende informatie en testresultaten zijn via de fabrikant verkrijgbaar.

Dit Klasse A instrument voldoet aan alle eisen van de Canadese norm IECS-003.

Cet appareil numérique de classe A répond à toutes les exigences de la réglementation canadienne sur les équipements provoquant des interférences.

FCC deel 15, Klasse "A" bepalingen

Aanvullende informatie en testresultaten zijn via de fabrikant verkrijgbaar. Dit instrument voldoet aan Deel 15 van de FCC-voorschriften. Het gebruik van dit instrument is aan de volgende voorwaarden onderworpen:

1. Het instrument mag geen schadelijke storingen veroorzaken.
2. Het instrument moet elke willekeurige ontvangen storing accepteren, inclusief storingen die mogelijk een ongewenste invloed kunnen hebben.

Door veranderingen of aanpassingen aan dit toestel die niet uitdrukkelijk zijn goedgekeurd door de partij verantwoordelijk voor certificering, kan de certificering van dit instrument, komen te vervallen. Dit apparaat is getest en voldoet aan de normen voor een elektrisch instrument van Klasse A, volgens Deel 15 van de FCC-voorschriften. Deze voorwaarden zijn opgesteld dat ze een goede bescherming bieden tegen hinderlijke storingen wanneer het instrument in een bedrijfsgerelateerde toepassing wordt gebruikt. Dit instrument produceert, gebruikt en kan radiogolven uitstralen. Wanneer het niet geïnstalleerd en gebruikt wordt volgens de handleiding, hinderlijke storing voor radiocommunicatie veroorzaken. Werking van het instrument in een huiselijke omgeving zal waarschijnlijk zorgen voor hinderlijke storing, in welk geval de gebruiker de storing dient te verhelpen. Om storingen op te lossen kan het volgende geprobeerd worden:

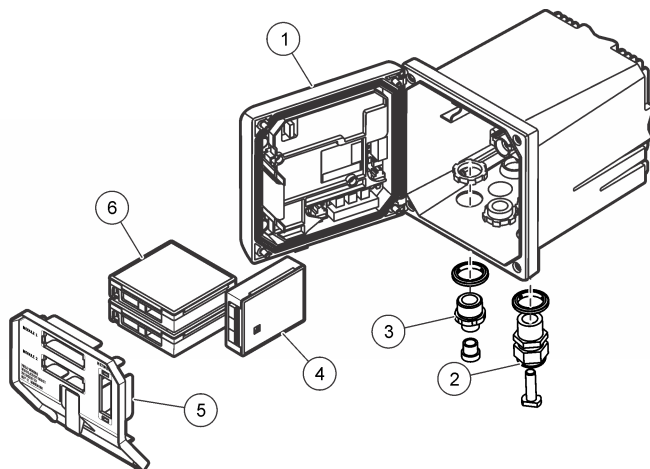
1. Ontkoppel het instrument van zijn stroombron om te controleren of deze stroombron al dan niet de storing veroorzaakt.
2. Als het instrument op hetzelfde stopcontact is aangesloten als het apparaat dat storing ondervindt, dient u het apparaat op een ander stopcontact aan te sluiten.
3. Plaats het apparaat weg van het apparaat waarop de storing van toepassing is.
4. Verplaats de ontvangstantenne voor het apparaat dat de storing ontvangt.
5. Probeer verschillende combinaties van de hierbovengenoemde suggesties.

Productoverzicht

De controller geeft sensormeetwaarden en andere gegevens weer, kan analoge en digitale signalen verzenden en kan via uitgangen en relais met andere apparaten communiceren en deze regelen. Uitgangen, relais, sensoren en sensormodules worden geconfigureerd en gekalibreerd via de gebruikersinterface aan de voorzijde van de controller.

Afbeelding 1 toont de verschillende componenten. De componenten kunnen afhankelijk van de configuratie van de controller afwijken. Neem contact op met de fabrikant indien er onderdelen beschadigd zijn of ontbreken.

Afbeelding 1 Systemcomponenten



1 Controller	4 Netwerkmodule (optioneel)
2 Trekontlasting (optioneel, afhankelijk van de versie van de controller)	5 Hoogspanningsbarrière
3 Digitale aansluiting (optioneel, afhankelijk van de versie van de controller)	6 Sensormodules (optioneel)

Sensoren en sensormodules

De controller is geschikt voor maximaal twee sensormodules of twee digitale sensoren (afhankelijk van de configuratie van de controller), samen met één communicatiemodule. Eén enkele digitale sensor en één enkele sensormodule kunnen samen worden geïnstalleerd. Er kunnen verscheidene sensoren op de sensormodules worden aangesloten. Raadpleeg voor het aansluiten van de sensorbedrading de handleidingen van de betreffende sensoren en de gebruikersinstructies voor de betreffende modules.

Relaisuitgangen en -signalen

De controller heeft vier configureerbare relaischakelaars en twee analoge uitgangen. Met een optionele analoge uitgangsmodule kan het aantal analoge uitgangen uitgebreid worden naar vijf.

Apparaatscans

Op twee uitzonderingen na scant de controller bij inschakeling automatisch op aangesloten apparaten, zonder dat de gebruiker iets hoeft te doen. De eerste uitzondering is wanneer de controller voor het eerst wordt ingeschakeld en nog niet eerder is gebruikt. De tweede uitzondering is nadat de configuratie-instellingen van de controller op hun standaardwaarden zijn teruggezet en de controller wordt ingeschakeld. In beide gevallen geeft de controller eerst de schermen voor het invoeren van de taal, datum en tijd weer. Nadat de ingevoerde taal, datum en tijd zijn geaccepteerd, voert de controller een apparaatscan uit. Raadpleeg [Een digitale sc-sensor aansluiten](#) op pagina 233 voor instructies voor het scannen van apparaten wanneer de controller reeds is ingeschakeld.

Controllerbehuizing

De controllerbehuizing is geclassificeerd volgens NEMA 4X/IP66 en heeft een corrosiebestendige toplaag die bestand is tegen corrosieve omgevingsstoffen zoals zoute nevel en zwavelwaterstof. Bij gebruik buiten wordt bescherming tegen omgevingsinvloeden sterk aanbevolen.

Opmerking: Eenheden die zijn voorzien van het Underwriters Laboratories (UL)-certificaat zijn uitsluitend bedoeld voor binnenopstelling en voldoen niet aan NEMA 4X/IP66-classificatie.

Montageopties voor de controller

De controller kan worden gemonteerd in een paneel, aan een wand of aan een verticale of een horizontale buis. Een pakking van neopreen wordt meegeleverd en kan worden gebruikt om trillingen te dempen. De pakking kan worden gebruikt als sjabloon voor paneelmontage, voordat het binnenste gedeelte van de pakking van het omringende gedeelte wordt gescheiden.

Installatie

Montagemiddelen en afmetingen

▲ VOORZICHTIG

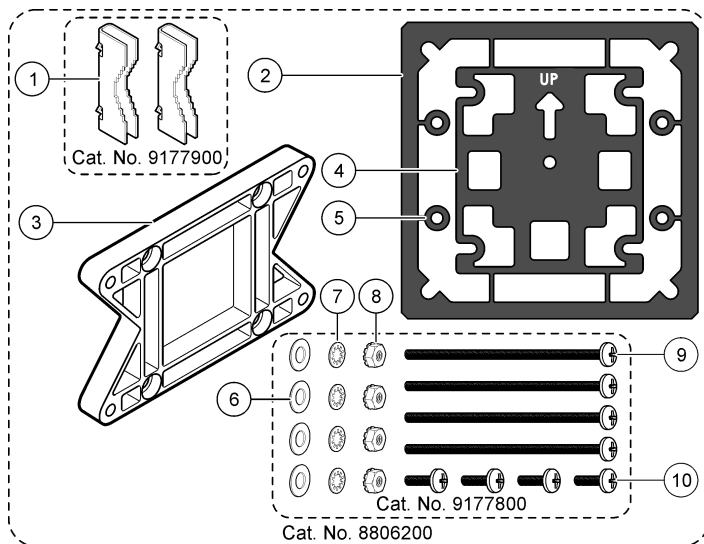
Gevaar van persoonlijk letsel. Alleen bevoegd personeel mag de in dit deel van de handleiding beschreven taken uitvoeren.

De -controller kan op een oppervlak, paneel of buis worden gemonteerd (horizontaal of verticaal). Voor montageopties en instructies zie [Afbeelding 2](#), [Afbeelding 3](#) op pagina 221, [Afbeelding 4](#) op pagina 222, [Afbeelding 5](#) op pagina 223 en [Afbeelding 6](#) op pagina 224.

Voor montage aan een horizontale buis moeten de montagevoeten ([Afbeelding 2](#)) verticaal aan de montagesteun worden bevestigd.

Bevestig de montagesteun zowel bij montage aan een horizontale als aan een verticale buis zoals afgebeeld in [Afbeelding 5](#) op pagina 223 aan de controller.

Afbeelding 2 Montagemiddelen

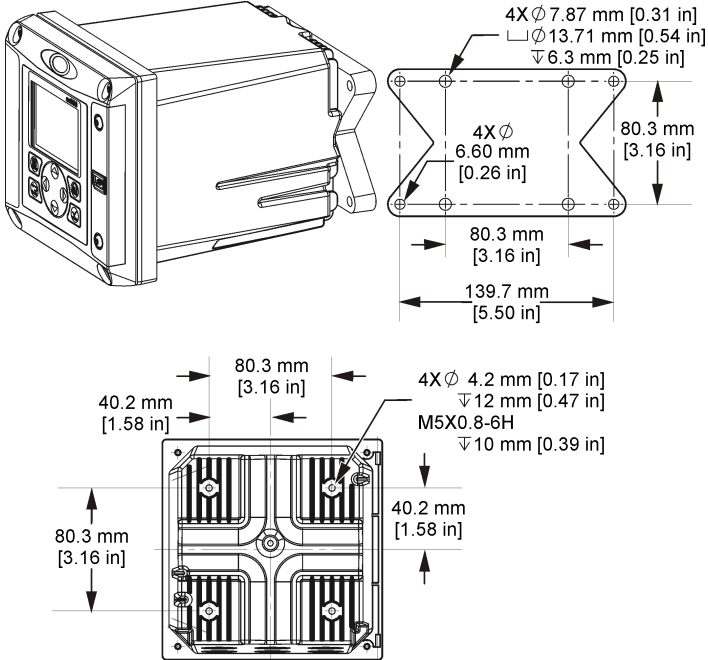


1 Montagevoet (2x)	6 Platte onderlegging, binnendiameter ¼ inch (4x)
2 Pakking voor paneelmontage, neopreen	7 Borgring, binnendiameter ¼ inch (4x)
3 Steun voor wand- en buismontage	8 Zeskantmoer met sluitring M5 x 0,8 (4x)
4 Trillingsdempende pakking voor buismontage	9 Bolkopschroeven M5 x 0,8 x 100 mm (4x) (te gebruiken voor montage aan buizen met verschillende diameter)
5 Trillingsdempende onderlegging voor buismontage (4x)	10 Bolkopschroeven M5 x 0,8 x 15 mm (4x)

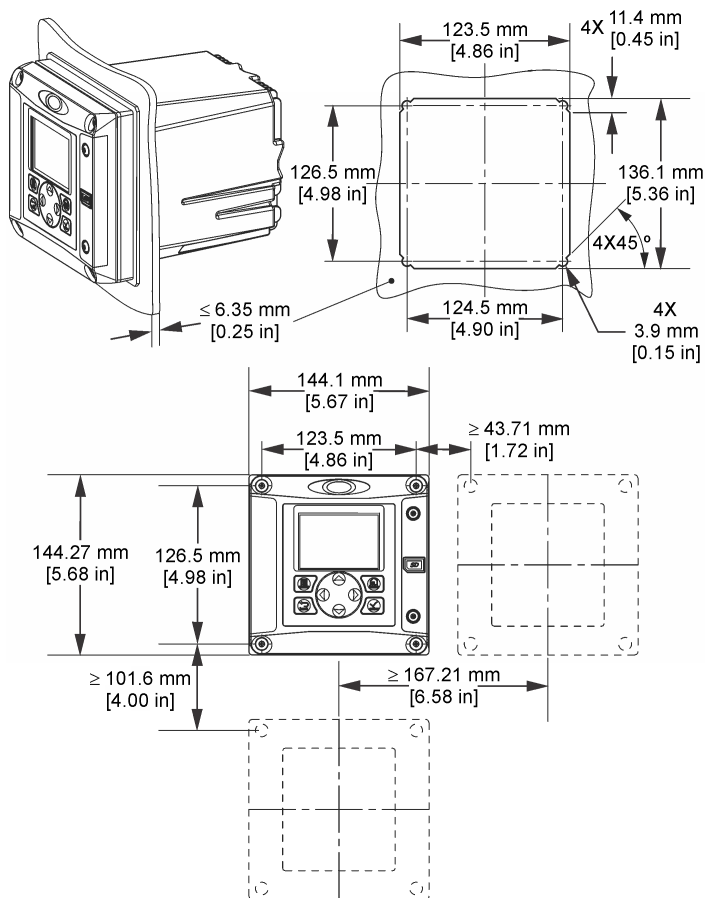
Opmerking: Als optioneel accessoire is een beugel voor paneelmontage leverbaar.

Controller monteren

Afbeelding 3 Afmetingen wandmontage

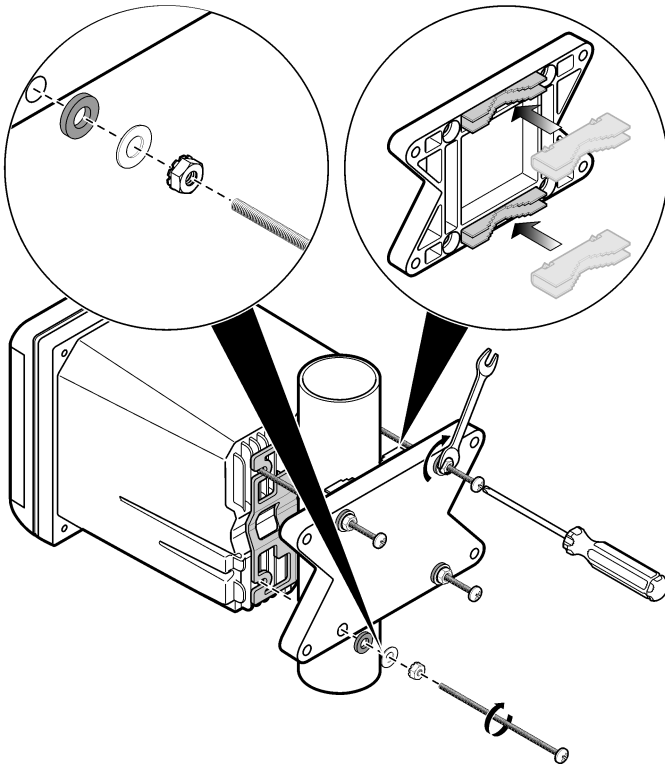


Afbeelding 4 Afmetingen paneelmontage

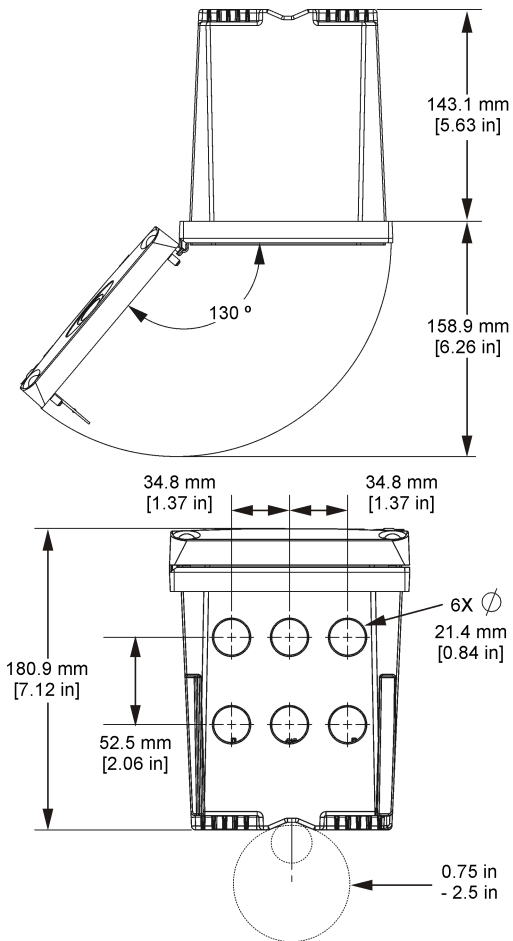


Opmerking: Als u de (optionele) beugel voor paneelmontage gebruikt, druk dan de controller door de opening in het paneel en schuif vervolgens de beugel over de controller aan de achterzijde van het paneel. Bevestig de beugel met de vier (meegeleverde) 15-mm cilinderkopschroeven op de controller en zet de controller vast op het paneel.

Afbeelding 5 Buismontage (verticale buis)



Afbeelding 6 Boven- en onderaanzicht



Hoogspanningsbarrière

De hoogspanningskabels voor de controller worden achter de hoogspanningsbarrière in de behuizing van de controller geleid. Behalve tijdens het installeren van modules of als een bevoegde installatietechnicus bedradingen voor netvoeding, alarmen, uitgangen of relais aanbrengt, moet de barrière op zijn plaats blijven. Verwijder de barrière niet wanneer de controller onder spanning staat.

Elektrostatische ontladingen (ESD)

LET OP



Potentiële schade aan apparaat. Delicate interne elektronische componenten kunnen door statische elektriciteit beschadigd raken, wat een negatieve invloed op de werking kan hebben of een storing kan veroorzaken.

Raadpleeg de stappen in deze procedure om beschadiging van het instrument door elektrostatische ontlading te vermijden:

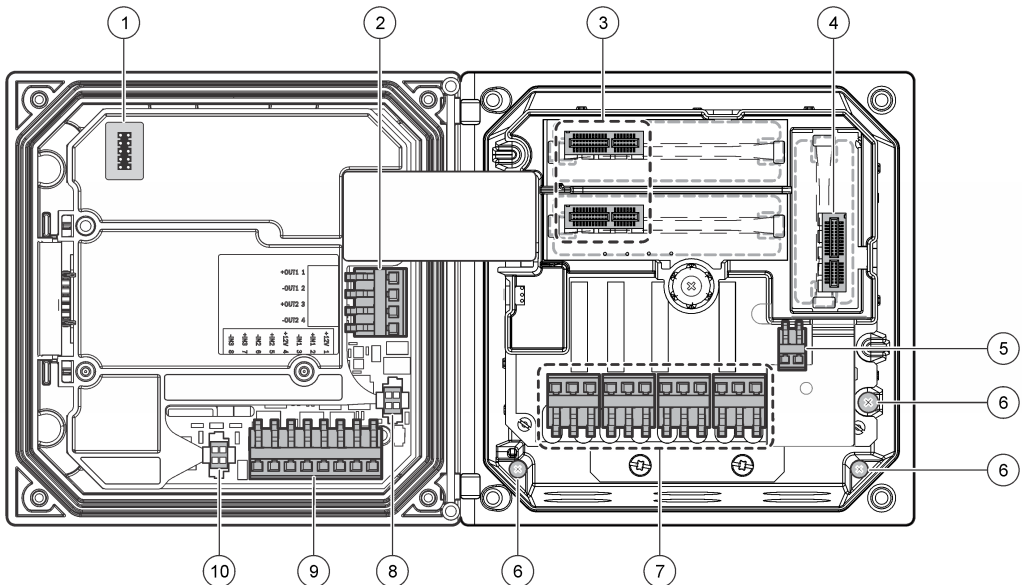
- Raak een geaard metalen oppervlak aan, zoals de behuizing van een instrument, een metalen leiding of pijp om de statische elektriciteit van het lichaam weg te leiden.
- Vermijd overmatige beweging. Statisch-gevoelige onderdelen vervoeren in anti-statische containers of verpakkingen.
- Draag een polsbandje met een aardverbinding.
- Werk in een antistatische omgeving met antistatische vloerpads en werkbankpads.

Bedradingsoverzicht

Afbeelding 7 toont een overzicht van de bedradingaansluitingen in de controller wanneer de hoogspanningsbarrière is verwijderd. De linkerzijde van de afbeelding toont de achterzijde van het controllerdekseel.

Opmerking: Verwijder de afdekkingen van de connectoren voordat u de module installeert.

Afbeelding 7 Overzicht van bedradingaansluitingen



1 Servicekabelaansluiting	5 AC- en DC-voedingsconnector ¹	9 Bedradingconnector van discrete ingangen ¹
2 Uitgang 4-20 mA ¹	6 Aardingsklemmen	10 Connector voor digitale sensor ¹
3 Connector voor sensormodule	7 Relaisaansluitingen ¹	
4 Connector voor communicatiemodule (bijv. Modbus, Profibus, HART, optioneel 4-20 mA-module, etc.)	8 Connector voor digitale sensor ¹	

¹ Aansluitingen kunnen worden verwijderd voor gemakkelijkere toegang.

Voedingsbedrading

⚠ WAARSCHUWING



Potentieel gevaar van elektrische schok. Bij het aanbrengen van elektrische verbindingen dient men altijd de stroom naar het instrument los te koppelen.

⚠ WAARSCHUWING



Potentieel gevaar van elektrische schok. Als dit apparaat buiten of op mogelijke natte locaties wordt gebruikt, moet een apparaat voor **stroomonderbreking** worden gebruikt om het apparaat op de stroomvoorziening aan te sluiten.

⚠ GEVAAR



Elektrocuciegevaar. Niet de wisselstroom aan een model verbinden die 24 VDC gebruikt.

⚠ WAARSCHUWING



Potentieel gevaar van elektrische schok. Voor bedradingstoepassingen van 100-240 VAC en 24 VDC wordt een beschermende aardingsverbinding vereist. Het verzuim op een goede aardingsverbinding aan te sluiten kan in gevaar op schok resulteren en een slechte prestatie leveren wegens elektromagnetische storingen. Sluit **ALTIJD** een goede aarding op de aansluitingsklem van de controller aan.

LET OP

Installeer het apparaat op een locatie en in een positie waardoor eenvoudige toegang wordt verkregen om het apparaat en de werking ervan uit te schakelen.

De controller is verkrijgbaar als model voor voeding met 100-240 V AC of met 24 V DC. Volg de juiste bedradingsinstructies voor het aangeschafte model.

De controller kan op de netvoeding worden aangesloten door middel van een vaste bedrading in een kabelbuis of door middel van een netsnoer. Ongeacht de gebruikte bedrading wordt de bedrading met dezelfde aansluitklemmen verbonden. Er is een lokale uitschakelaar vereist die voldoet aan de lokale elektrotechnische voorschriften en deze moet voor alle installatietypes worden geïdentificeerd. Bij toepassingen met vaste bedrading moeten de huisaansluitingen van de net- en veiligheidsaarde voor het instrument worden uitgevoerd met 18- tot 12-AWG-draad.

Opmerkingen:

- De spanningsbarrière moet worden verwijderd, voordat er enige elektrische aansluiting tot stand wordt gebracht. Breng de spanningsbarrière na het aansluiten opnieuw aan voordat u het deksel van de controller sluit.
- Er mag een trekontlasting met afdichting en een netsnoer met een lengte van max. 3 meter (10 ft) met 18-gauge geleiders (inclusief een veiligheidsaarddraad) worden gebruikt om aan de omgevingsclassificatie NEMA 4X/IP66 te voldoen.
- Controllers kunnen worden besteld met voorgemonteerde AC-netsnoeren. Er kunnen ook extra netsnoeren worden besteld.
- De DC-voedingsbron die de DC-controller met 24 VDC voedt, moet de spanning tussen de voorgeschreven spanningsgrenzen van 24 VDC-15% +20% houden. De DC-voedingsbron moet tevens voldoende bescherming bieden tegen spanningspieken en spanningsverschillen.

Bedradingprocedure

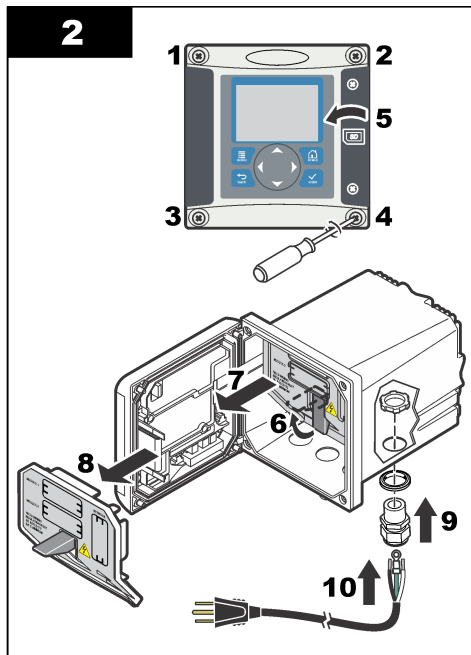
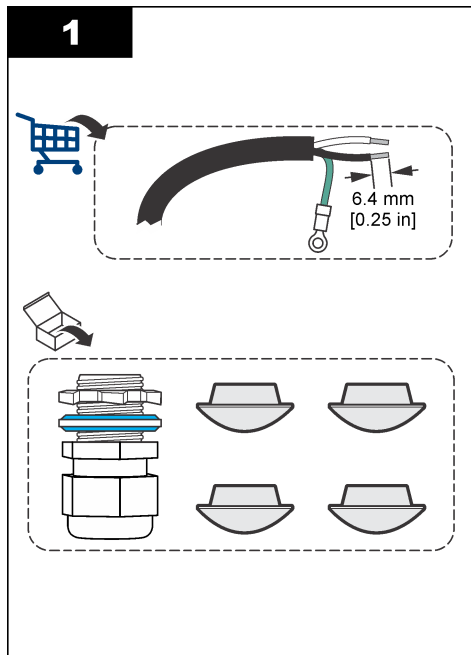
Volg de hieronder afgebeelde stappen en raadpleeg [Tabel 1](#) of [Tabel 2](#) voor het aansluiten van de voedingsdraden op de controller. Steek elke draad zo ver in de juiste aansluitklem dat de isolatie zich tegen de connector bevindt en er geen draadgedeelte blootligt. Na het aanbrengen voorzichtig aandrukken, zodat er een goede aansluiting is. Sluit ongebruikte openingen in de controllerbox af met afdichtpluggen voor de doorvoeropeningen.

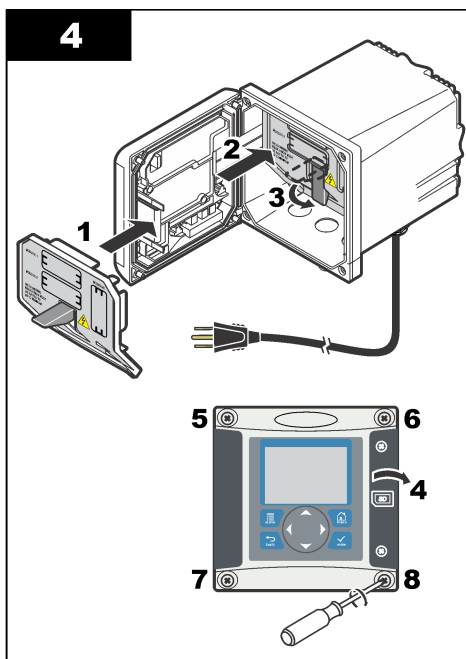
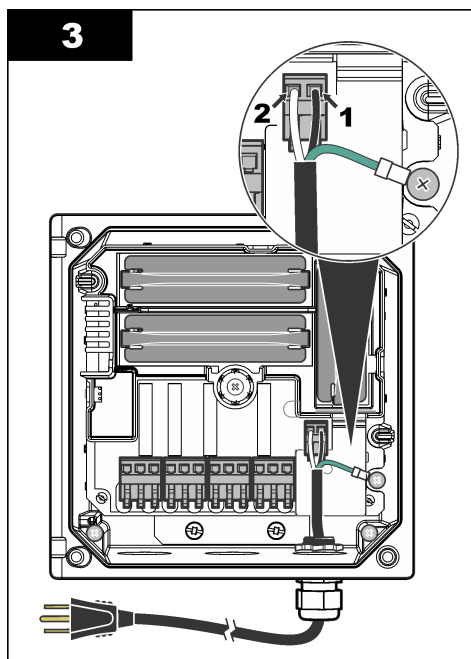
Tabel 1 Informatie over de AC-voedingsbedrading (uitsluitend modellen met AC-voeding)

Klem	Beschrijving	Kleur—Noord-Amerika	Kleur—EU
1	Warm (L1)	Zwart	Bruin
2	Nul (N)	Wit	Blauw
—	Aardingsstrip van de veiligheidsaarde (PE)	Groen	Groen met gele streep

Tabel 2 Informatie over de DC-voedingsbedrading (uitsluitend modellen met DC-voeding)

Klem	Beschrijving	Kleur—Noord-Amerika	Kleur—EU
1	+24 V DC	Rood	Rood
2	24 V DC retour	Zwart	Zwart
—	Aardingsstrip van de veiligheidsaarde (PE)	Groen	Groen met gele streep





Alarmen en relais

De controller is uitgerust met vier potentiaalvrije enkelpolige relais met een maximale ohmse belasting van 100-250 VAC, 50/60 Hz, 5 A. De contacten hebben een maximale ohmse belasting van 250 VAC, 5 A bij de met wisselstroom gevoede controller en een maximale ohmse belasting van 24 VDC, 5 A bij de met gelijkspanning gevoede controller. De relais zijn niet berekend op inductieve belastingen.

Bedradingsrelais

⚠ WAARSCHUWING



Potentieel gevaar van elektrische schok. Bij het aanbrengen van elektrische verbindingen dient men altijd de stroom naar het instrument los te koppelen.

⚠ WAARSCHUWING



Potentieel brandgevaar. De relaiscontacten kunnen worden belast met een nominale stroom van 5 A en zijn niet afgezekerd. Op de relais aangesloten externe belastingen moeten zijn voorzien van stroombegeerders die de stroom tot < 5 A beperken.

⚠ WAARSCHUWING



Potentieel brandgevaar. Schakel de gemeenschappelijke relaisaansluitingen of de jumperdraad van de voedingsaansluiting binnen in het instrument niet in serie.

⚠ WAARSCHUWING



Potentieel gevaar van elektrische schok. Om de NEMA/IP-classificatie van de behuizing te behouden, mogen er voor het leggen van kabels in het instrument uitsluitend doorvoertules en kabelwartels worden gebruikt die ten minste voldoen aan NEMA 4X/IP66.

AC-gevoede (100—250 V) controllers

Het bedradingscompartiment is niet berekend op spanningsaansluitingen van meer dan 250 VAC.

24 V DC-gevoede controllers

⚠ WAARSCHUWING



Mogelijk electrocutiegevaar. Controllers met AC-voeding (115 V - 230 V) zijn ontworpen voor relisaansluitingen op AC-netvoedingen (d.w.z. spanning hoger dan 16 V-RMS, 22,6 V-PIEK of 35 VDC).

⚠ WAARSCHUWING



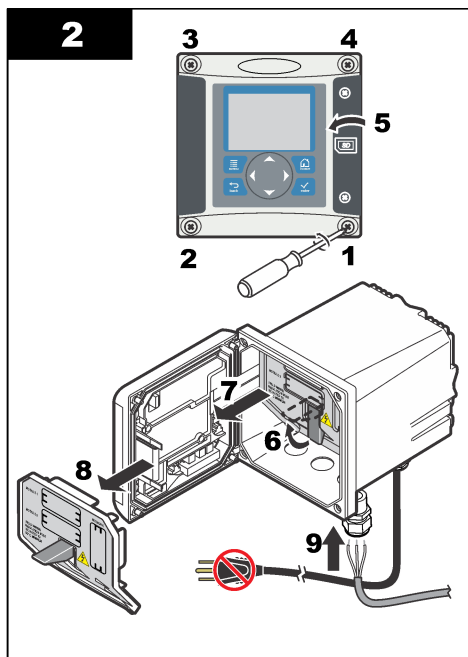
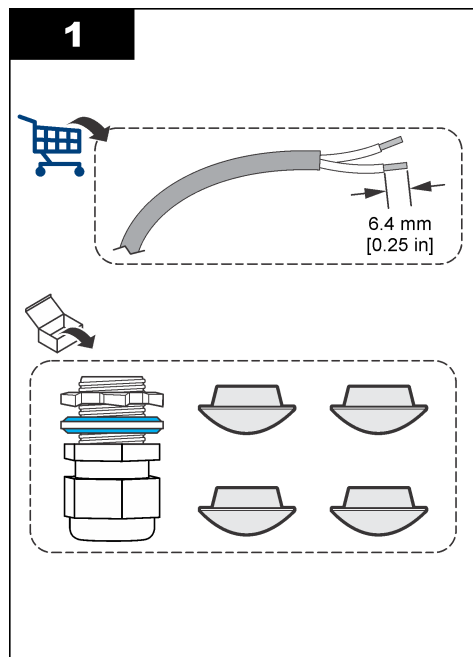
Mogelijk electrocutiegevaar. Controllers met 24 V zijn ontworpen voor relisaansluitingen op laagspanningscircuits (d.w.z. spanning lager dan 16 V-RMS, 22,6 V-PIEK of 35 VDC).

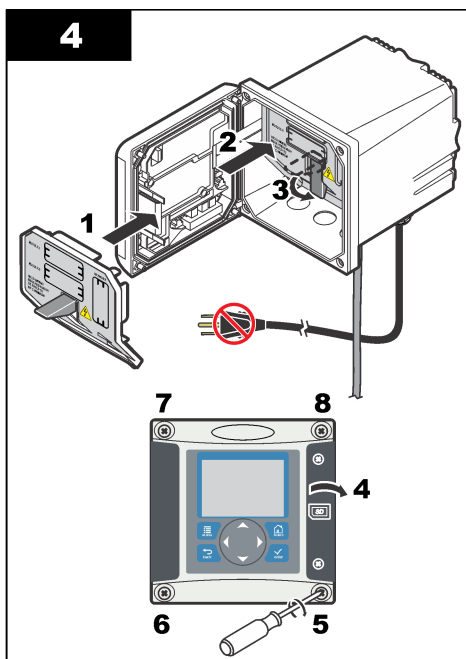
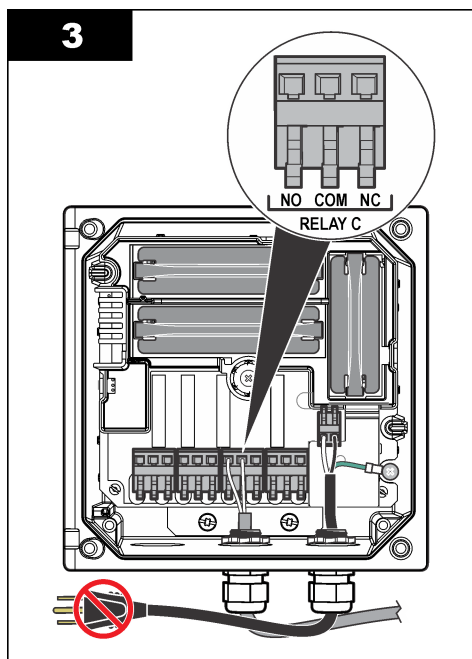
De relais van de 24 V DC-controllers zijn ontworpen voor aansluiting op laagspanningscircuits (d.w.z. spanning lager dan 30 V-RMS, 42,2 V-PIEK of 60 V DC). Het bedradingscompartiment is niet berekend op spanningsaansluitingen boven deze niveaus.

De relaisconnector is geschikt voor 18-12 AWG-draad (afhankelijk van de belastingstoepassing). Draadmaten van minder dan 18 AWG worden niet aanbevolen.

De normaal open (NO, maakcontact) en gemeenschappelijke (COM) relaiscontacten spreken aan als er een alarm- of andere conditie actief is. De normaal gesloten (NC, verbreekcontact) en gemeenschappelijke (COM) relaiscontacten spreken aan als een alarm- of andere conditie inactief is (tenzij de Fail-Safe-functie op Ja is ingesteld) of wanneer de voeding van de controller wordt uitgeschakeld.

Voor de meeste relisaansluitingen worden NO- en COM-klemmen of NC- en COM-klemmen gebruikt. De genummerde installatiestappen geven de aansluiting op de NO- en COM-klemmen weer.





Analoge uitgangsaansluitingen

⚠ WAARSCHUWING



Potentieel gevaar van elektrische schok. Bij het aanbrengen van elektrische verbindingen dient men altijd de stroom naar het instrument los te koppelen.

⚠ WAARSCHUWING



Potentieel gevaar van elektrische schok. Om de NEMA/IP-classificatie van de behuizing te behouden, mogen er voor het leggen van kabels in het instrument uitsluitend doorvoertules en kabelwartels worden gebruikt die ten minste voldoen aan NEMA 4X/IP66.

Er zijn twee geïsoleerde analoge uitgangen (1 en 2) aanwezig (Afbeelding 8). Dergelijke uitgangen worden meestal gebruikt voor analoge signalering of voor het bedienen van externe apparaten..

Sluit de bedrading aan op de controller zoals weergegeven in Afbeelding 8 en Tabel 3.

Opmerking: Afbeelding 8 toont de achterzijde van het controllerdeksel en niet de binnenzijde van het compartiment van de hoofdcontroller.

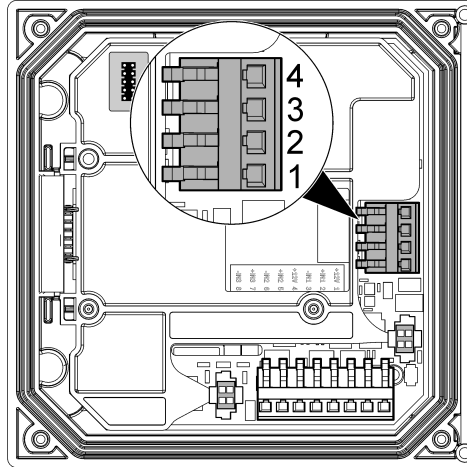
Tabel 3 Uitgangsaansluitingen

Recorderbedrading	Positie op de printplaat
Uitgang 2-	4
Uitgang 2+	3
Uitgang 1-	2
Uitgang 1+	1

1. Open het deksel van de controller.
2. Leid de bedrading door de trekontlasting.
3. Pas de draad indien nodig aan en zet de trekontlasting vast.

4. Maak de recorderaansluitingen met gedraaide afgeschermd bedrading en sluit de afscherming aan op het bestuurd onderdeeldeinde of bij het regelluseinde.
 - Verbind de afscherming niet aan beide uiteinden van de kabel.
 - Gebruik van een niet afgeschermd kabel kan zorgen voor storingen en verschil in meetwaarden.
 - De maximale lusweerstand is 500 ohm.
5. Sluit het deksel van de controller en draai de schroeven van het deksel aan.
6. Configureer de uitgangen in de controller.

Afbeelding 8 Analoge uitgangsaansluitingen



Bedragsaansluitingen van discrete ingangen

▲ WAARSCHUWING



Potentieel gevaar van elektrische schok. Bij het aanbrengen van elektrische verbindingen dient men altijd de stroom naar het instrument los te koppelen.

▲ WAARSCHUWING

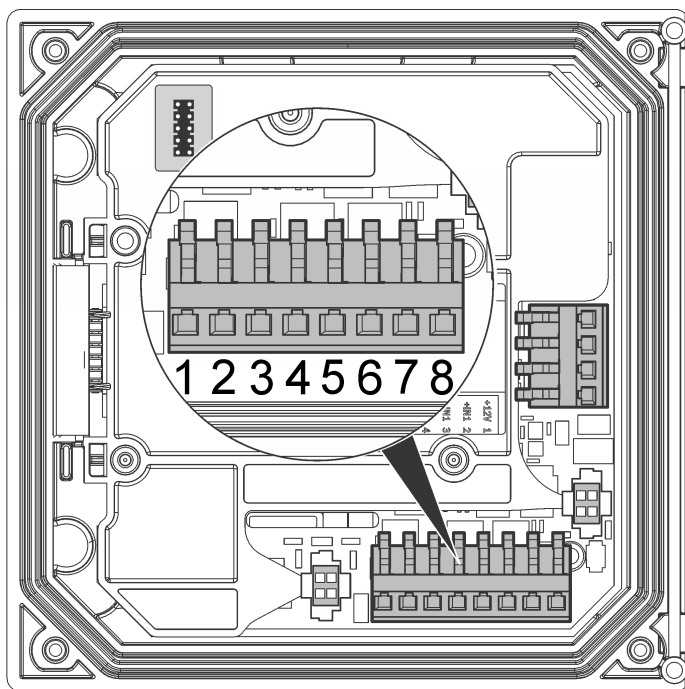


Potentieel gevaar van elektrische schok. Om de NEMA/IP-classificatie van de behuizing te behouden, mogen er voor het leggen van kabels in het instrument uitsluitend doorvoertules en kabelwartels worden gebruikt die ten minste voldoen aan NEMA 4X/IP66.

Er zijn drie discrete ingangen voor ingangssignalen voor schakelaarsluiting of ingangssignalen voor logische spanning. Sluit de bedrading aan en configureer de jumperinstellingen op de controller zoals weergegeven in [Afbeelding 9](#), [Tabel 4](#) en [Afbeelding 10](#).

Opmerking: [Afbeelding 9](#) toont de achterzijde van het deksel van de controller en niet de binnenzijde van het hoofdcompartiment van de controller.

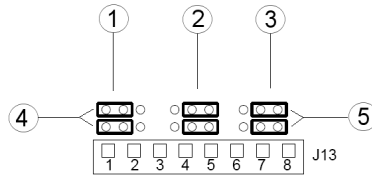
Afbeelding 9 Bedringsaansluitingen van discrete ingangen



Tabel 4 Ingangsaansluitingen

Discrete ingangen	Connectorpositie - schakelaaringang	Connectorpositie - spanningsingang
Ingang 1+	3	2
Ingang 1-	2	3
Ingang 2+	6	5
Ingang 2-	5	6
Ingang 3+	8	7
Ingang 3-	7	8

Afbeelding 10 Jumperinstellingen



1 Ingang 1 configuratie jumpers	4 Jumpers links voor schakelaaringangen
2 Ingang 2 configuratie jumpers	5 Jumpers rechts voor spanningsingangen
3 Ingang 3 configuratie jumpers	

1. Open het deksel van de controller.
2. Voer de draden door de kabelwartel.
3. Pas de draad indien nodig aan en zet de kabelwartel vast.
4. De jumpers bevinden zich direct achter de connector. Verwijder de connector voor een betere bereikbaarheid van de jumpers en configureer de jumperinstellingen overeenkomstig het type ingang dat is weergegeven in [Afbeelding 10](#).
5. Sluit het deksel van de controller en draai de schroeven van het deksel aan.
6. Configureer de ingangen in de controller.

Opmerking: In de **schakelaaringang**-modus voedt de controller de schakelaar met 12 volt en is hij niet geïsoleerd van de controller. In de **spanningsingang**-modus zijn de ingangen geïsoleerd van de controller (gebruikersingangsspanning van 0 tot 30 volt).

Een digitale sc-sensor aansluiten

Opmerking: Zie voor het aansluiten van een analoge sensor de instructies in de module of in de sensorhandleiding.

Een digitale sc-sensor kan met behulp van de snelkoppeling ([Afbeelding 11](#)) op de controller worden aangesloten. Een digitale sensor kan op de controller worden aangesloten met de voeding aan of uit.

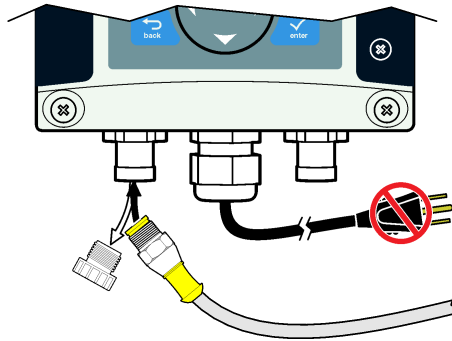
Als een sensor wordt aangesloten wanneer de voeding van de controller is ingeschakeld, voert de controller niet automatisch een apparaatscan uit. Om de controller een apparaatscan te laten uitvoeren, gaat u naar het menu Test/Onderhoud en selecteert u de optie Scan apparaten. Als er een nieuw apparaat wordt gevonden, voert de controller de installatie uit zonder dat de gebruiker iets hoeft te doen.

Als een sensor wordt aangesloten wanneer de voeding van de controller is uitgeschakeld, voert de controller een apparaatscan uit zodra de voeding weer wordt ingeschakeld. Als er een nieuw apparaat wordt gevonden, voert de controller de installatie uit zonder dat de gebruiker iets hoeft te doen.

Zet de kap van de connector vast om de opening van de connector te verzegelen voor het geval dat de sensor verwijderd moet worden.

Afbeelding 11 Snelkoppeling voor digitale sensor

1.



De optionele digitale communicatie-uitgang aansluiten

De communicatieprotocollen Modbus RS485, Modbus RS232, Profibus DPV1 en HART worden ondersteund. De optionele digitale uitgangsmodule wordt geïnstalleerd op de locatie die wordt aangegeven door item 4 in [Afbeelding 7](#) op pagina 225. Raadpleeg de instructies die met de netwerkmodule worden meegeleverd voor meer details.

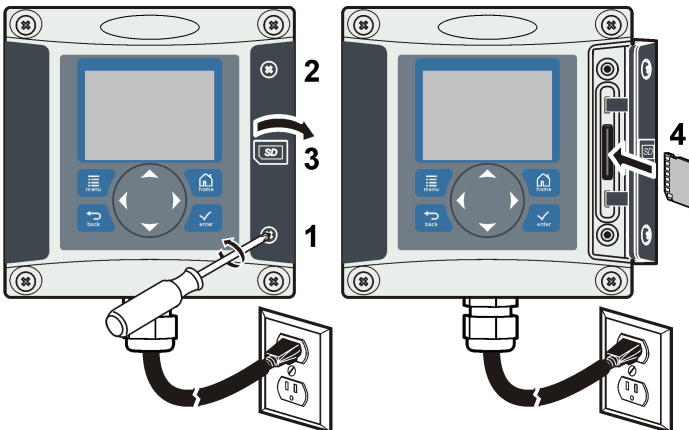
Voor informatie over Modbus-registers kunt u <http://www.hach-lange.com> of <http://www.hach.com> raadplegen en zoeken naar *Modbus-registers* of naar een willekeurige sc200-productpagina gaan.

Een Secure Digital-geheugenkaart (SD-geheugenkaart) installeren

Raadpleeg [Afbeelding 12](#) voor instructies over het installeren van een SD-kaart in de controller. Informatie over het gebruik van de SD-kaart vindt u in de uitgebreide versie van deze handleiding.

Om een SD-kaart te verwijderen, drukt u de rand van de kaart omlaag en laat hem weer los, waarna u de kaart uit de sleuf kunt trekken. Sluit na het verwijderen van de kaart het deksel en haal de schroeven van het deksel aan.

Afbeelding 12 Installeren van een SD-kaart

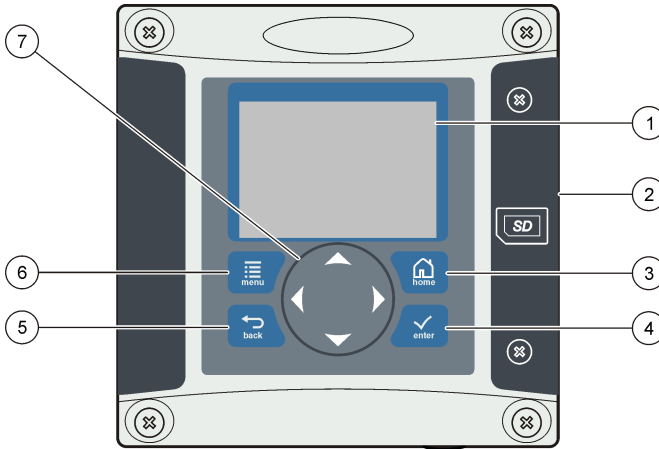


Gebruikersinterface en navigatie

Gebruikersinterface

Het toetsenpaneel heeft vier menu-toetsen en vier cursortoetsen, zoals afgebeeld in [Afbeelding 13](#).

Afbeelding 13 Aanzicht van toetsenpaneel en frontpaneel



1 Display	5 TERUG -toets. Keert een niveau terug in de menustructuur.
2 Kapje over de sleuf voor de Secure Digital-geheugenkaart	6 MENU -toets. Gaat van andere schermen en submenu's naar het instellingenmenu.
3 HOME -toets. Gaat van andere schermen en submenu's naar het hoofdmeetscherm.	7 Cursortoetsen. Voor het navigeren door de menu's, het wijzigen van instellingen en het verhogen of verlagen van cijfers.
4 ENTER -toets. Accepteert ingangswaarden, updates of weergegeven menuopties.	

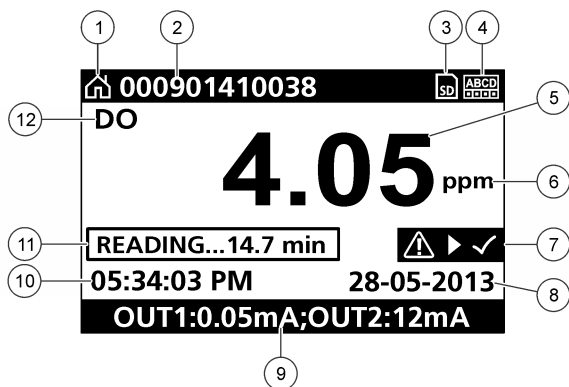
Ingangen en uitgangen worden met behulp van het toetsenpaneel en displayscherm op het frontpaneel ingesteld en geconfigureerd. Deze gebruikersinterface wordt gebruikt om in- en uitgangen in te stellen en te configureren, om logboekinformatie te creëren en waarden te berekenen en om sensoren te kalibreren. De SD-interface kan worden gebruikt om logboekbestanden op te slaan en software te updaten.

Display

[Afbeelding 14](#) toont een voorbeeld van het hoofdmeetscherm bij een op de controller aangesloten DO-sensor.

Het displayscherm op het frontpaneel toont meetgegevens van de sensor, kalibratie- en configuratie-instellingen, fouten, waarschuwingen en andere informatie.

Afbeelding 14 Voorbeeld van het hoofdmeetscherm



1 Pictogram beginscherm	7 Waarschuwingstatusbalk
2 Sensornaam	8 Datum
3 Pictogram SD-kaart	9 Analoge uitgangswaarden
4 Relaisstatusindicator	10 Tijd
5 Meetwaarde	11 Voortgangsbalk
6 Meeteenheid	12 Meetparameter

Tabel 5 Omschrijvingen van pictogrammen

Pictogram	Omschrijving
Beginscherm	Het pictogram kan afhankelijk van het weergegeven scherm of menu variëren. Als er bijvoorbeeld een SD-kaart is geplaatst, verschijnt hier het pictogram van een SD-kaart wanneer de gebruiker zich in het menu SD-kaart Installatie bevindt.
SD-kaart	Dit pictogram verschijnt alleen als zich een SD-kaart in de sleuf van de lezer bevindt. Als een gebruiker zich in het menu SD-kaart Installatie bevindt, verschijnt dit pictogram in de hoek linksboven.
Waarschuwing	Een waarschuwingspictogram bestaat uit een uitroepteken binnen een driehoek. Er verschijnen waarschuwingspictogrammen rechts op het hoofddisplay onder de meetwaarde. Druk op de ENTER -toets en selecteer vervolgens het apparaat om eventuele problemen met dat apparaat te bekijken. Wanneer alle problemen zijn verholpen of bevestigd, wordt het waarschuwingspictogram niet langer weergegeven.
Foutmelding	Een foutpictogram bestaat uit een uitroepteken binnen een cirkel. Als er een fout optreedt, knipperen het foutpictogram en het meetscherm afwisselend op het hoofddisplay. Om de sensorfouten te bekijken, drukt u op de toets MENU (Menu) en selecteert u Diagnostics (Diagnose). Selecteer vervolgens het apparaat om eventuele problemen met dat apparaat te bekijken.

Extra displayformaten

- Druk vanuit het hoofdmeetscherm op de pijltoets **OMHOOG** en **OMLAAG** om tussen de meetparameters om te schakelen.
- Druk vanuit het hoofdmeetscherm op de pijltoets **RECHTS** om naar een gedeeld scherm om te schakelen waarin maximaal 4 meetparameters worden weergegeven. Druk op de pijltoets **RECHTS** om extra metingen toe te voegen. Druk zo vaak als nodig is op de pijltoets **LINKS** om terug te keren naar het hoofdmeetscherm.
- Druk vanuit het hoofdmeetscherm op de pijltoets **LINKS** om naar de grafische weergave om te schakelen (zie [Grafisch display](#) op pagina 237 om de parameters te definiëren). Druk op de pijltoets **OMHOOG** en **OMLAAG** om tussen meetgrafieken om te schakelen

Grafisch display

De grafiek toont concentraties en temperatuurmetingen voor elk kanaal dat in gebruik is. Met behulp van de grafiek kunnen trends eenvoudig worden bewaakt en worden wijzigingen in het proces weergegeven.

1. Selecteer vanuit het scherm van het grafisch display met de pijltoetsen omhoog en omlaag een grafiek en druk op de **HOME**-toets.
2. Selecteer een optie:

Optie	Beschrijving
MEASUREMENT VALUE (waarde meting)	Stel de meetwaarde voor het geselecteerde kanaal in. Selecteer Auto Scale (Automatisch aanpassen van de schaal) of Manually Scale (Handmatig aanpassen van de schaal). Voer de minimum- en maximummeetwaarden voor handmatig aanpassen van de schaal in
DATUM- EN TIJDBEREIK	Selecteer het datum- en tijdbereik uit de beschikbare opties

Het systeem starten

Bij de eerste keer opstarten, verschijnen achtereenvolgens de schermen voor de taal, de datumnotatie en de datum/tijd. Nadat deze opties zijn ingesteld, voert de controller een apparaatscan uit en verschijnt de melding **Scannen op apparaten. Even wachten aub...** Als er een nieuw apparaat wordt gevonden, voert de controller de installatie uit voordat er een hoofdmeetscherm wordt weergegeven.

Als de scan eerder geïnstalleerde apparaten zonder gewijzigde configuratie vindt, verschijnt na de scan onmiddellijk het hoofdmeetscherm van het apparaat op positie één.

Als een apparaat uit de controller is verwijderd of als een apparaat tijdens de volgende scan na in- en uitschakeling van de controller of na selectie van de scan in het menu niet wordt gevonden, toont de controller de melding **Apparaat ontbreekt** en vraagt om het ontbrekende apparaat te wissen.

Als er geen sensor op een geïnstalleerde analoge module is aangesloten, geeft de controller een fout aan. Als er apparaten zijn aangesloten maar niet door de controller worden gevonden, zie dan [Problemen oplossen](#) op pagina 239.

Taal, datum en tijd voor de eerste keer instellen

De controller geeft de schermen voor het invoeren van de taal, datum en tijd weer wanneer de controller voor het eerst wordt ingeschakeld, en wanneer hij wordt ingeschakeld nadat de configuratie-instellingen op hun standaardwaarden zijn teruggezet.

Nadat de taal, datum en tijd voor het eerst zijn ingesteld, kunnen de betreffende opties, indien nodig, via het instelmenu voor de sc200 worden bijgewerkt..

1. Selecteer in het scherm voor het instellen van de taal in de keuzelijst een bepaalde taal en druk op **ENTER**-toets. Engels is de standaardtaal voor de controller. De geselecteerde taal wordt opgeslagen. Het scherm voor de datumnotatie verschijnt.
2. Selecteer in het scherm voor de datumnotatie een bepaalde notatie en druk op **ENTER**-toets. De instellingen voor de datum- en tijdnnotatie worden opgeslagen. Vervolgens verschijnt het scherm voor de datum/tijd.
3. Druk in het scherm voor de datum/tijd op de cursortoetsen met pijl naar **RECHTS** of **LINKS** om een veld te selecteren, en druk vervolgens op de cursortoetsen met pijl **OMHOOG** en **OMLAAG** om de waarde in het veld te veranderen. Werk indien nodig de overige velden bij.
4. Druk op de **ENTER**-toets. De wijzigingen worden opgeslagen en de controller voert een opstartscan naar apparaten uit. Als er aangesloten apparaten worden gevonden, toont de controller het hoofdmeetscherm voor het apparaat op de eerste positie. Indien de controller aangesloten apparaten niet kan vinden, zie dan [Problemen oplossen](#) op pagina 239.

Informatie betreffende de configuratie van de controller

Algemene informatie over de configuratieopties vindt u in de tabel.

1. Om naar de menuopties te gaan, selecteert u sc200 installatie in het instellingenmenu.

Optie	Omschrijving
Beveiliging instellen	Stelt de wachtwoordvoorkeuren in.
Uitgangen instellen	Configureren van de analoge controlleruitgangen
Relais instellen	Configureren van de controllerrelais
Display setup (Displayinstelling)	Configureert het display van de controller
Datum/tijd instellen	Instellen van de tijd en de datum van de controller
Datalog instellen	Configureren van de opties voor logboekregistratie van gegevens. Alleen beschikbaar als Calculation (Berekeningsoptie) is ingesteld.
Manage data (Gegevens beheren)	Selecteer het apparaat uit de lijst met geïnstalleerde componenten om het gegevens- of gebeurtenislogboek te bekijken
Fout houdstand	Uitgangen vasthouden — houdt de uitgangen op de laatste waarde wanneer de communicatie tussen de controller en de sensor wegvalt. Uitgangen overdragen — schakelt naar de overdrachtsmodus wanneer de communicatie tussen de controller en de sensor wegvalt. De uitgangen worden op een vooraf gedefinieerde waarde ingesteld.
Berekening	Configureert de rekenfunctie van de controller
sc200 informatie	S/W VER: — toont de actuele versie van de controllersoftware Bootlader VER: — toont the huidige bootlader-versie. De bootlader is een bestand dat het hoofdbesturingssysteem voor de controller laadt S/N: — toont het serienummer van de controller Version (Versie): — toont de actuele versie van de controllersoftware
Discrete Input Setup (Discrete ingangssignalen instellen)	Configureert drie discrete ingangskanalen
Taal	Wijst de in de controller gebruikte taal toe

2. Selecteer een optie en druk op **ENTER** om de menuoptie te activeren.

Onderhoud

▲ VOORZICHTIG



Diverse gevaren. Alleen bevoegd personeel mag de in dit deel van het document beschreven taken uitvoeren.

Reinigen van de controller

⚠ GEVAAR



Koppel vóór onderhoudswerkzaamheden de controller altijd los van de netspanning.

Opmerking: Gebruik nooit brandbare of corrosieve oplossing voor het reinigen van de controller of delen hiervan. Door gebruik van deze oplosmiddelen bestaat het risico dat de bescherming van het instrument wordt aangetast en de garantie komt te vervallen.

1. Controleer of de kap van de controller goed is gesloten.
2. Maak de buitenkant van de controller schoon met een vochtige doek met water of een mengsel van water en een mild reinigingsmiddel.

Problemen oplossen

Probleem	Resolutie
Geen stroomuitgang	Controleer de configuratie van de stroomuitgang.
	Test het signaal van de stroomuitgang via het submenu Test/Onderhoud. Voer een stroomwaarde in en controleer het uitgangssignaal aan de aansluitingen van de controller.
	Neem contact op met de technische ondersteuningsafdeling.
Onjuiste stroomuitgang	Controleer de configuratie van de stroomuitgang.
	Test het signaal van de stroomuitgang via het submenu Test/Onderhoud. Voer een stroomwaarde in en controleer het uitgangssignaal aan de aansluitingen van de controller. Als de uitgang onjuist is, voer dan een uitgangskalibratie uit.
Geen relaisactivering	Controleer of alle relisaansluitingen goed vastzitten.
	Als er een externe voeding wordt gebruikt, controleer dan of de relaisbedrading in orde is.
	Controleer of de relaisconfiguratie juist is.
	Test de relaisactivering via het menu Test/Onderhoud. Het relais moet afhankelijk van de selectie worden bekrachtigd en afvallen.
	Zorg dat de controller niet in de kalibratiemodus staat en dat het relais niet bekrachtigd wordt.
Reset de overvoedingstimer om te garanderen dat de timer niet is afgelopen.	
De Secure Digital-geheugenkaart (SD-geheugenkaart) wordt niet door de controller herkend	Controleer of de SD-kaart op de juiste manier is aangebracht (in de juiste richting). De koperbanen moeten in de richting van het display van de controller wijzen.
	Controleer of de SD-kaart volledig in de sleuf is geschoven en of de veervergrendeling is vastgeklikt.
	Controleer of de SD-kaart op de juiste manier geformatteerd is met een FAT 32-formaat. Het MMC-formaat wordt niet ondersteund. Volg de instructies van de fabrikant van de kaart op om de SD-kaart op een pc te formatteren.
	Controleer of de kaart niet groter is dan 32 GB.
	Controleer of er een SD-kaart is gebruikt. Andere kaarttypes (zoals xSD, micro-SD, mini-SD) werken niet goed.

Probleem	Resolutie
Informatie wordt niet of niet goed op de SD-kaart opgeslagen	Controleer of de SD-kaart op de juiste manier geformatteerd is met het FAT 32-formaat. Het MMC-formaat wordt niet ondersteund. Volg de instructies van de fabrikant van de kaart op om de SD-kaart op een pc te formatteren.
	Als de SD-kaart eerder is gebruikt, formatteer de kaart dan met het FAT 32-formaat, breng de kaart in de controller aan en probeer vervolgens bestanden te downloaden.
	Probeer een andere SD-kaart.
SD-kaart vol	Lees de SD-kaart uit met een pc of een ander kaartleesapparaat. Sla belangrijke bestanden op en verwijder vervolgens een aantal of alle bestanden op de SD-kaart.
De controller kan geen software-updates op de SD-kaart vinden	Zorg ervoor dat een geschikte map wordt gemaakt, door de SD-kaart in de controller te plaatsen. Er wordt automatisch een updatefolder gemaakt.
	Installeer de SD-kaart op een PC en controleer of de softwarebestanden zich in de juiste updatefolder bevinden.
	Als dezelfde SD-kaart voor meerdere controllers wordt gebruikt, heeft elke controller een aparte folder op het systeem. Controleer of de software-updates zich in de folder voor de gebruikte controller bevinden.
Het display is verlicht maar toont geen karakters of de karakters zijn vaag of onscherp	Displaycontrast instellen
	Controleer of de beschermfolie van het display is verwijderd.
	Reinig de buitenzijde van de controller, inclusief het display.
De controller wordt niet of met onderbrekingen gestart	Controleer of de wisselstroomaansluitingen op de juiste manier in de controller tot stand zijn gebracht.
	Controleer of de contactdoos, de netvoeding en de stekker alle goed zijn aangesloten.
	Neem contact op met de technische ondersteuningsafdeling
Netwerk of sensormodule worden niet herkend	Controleer of de module op de juiste manier is geïnstalleerd.
	Zorg dat de keuzeschakelaar voor de module op het juiste nummer staat.
	Verwijder de sensormodule en sluit de module aan op de tweede analoge poort. Schakel de voeding van de controller in en laat de controller een apparaatscan uitvoeren.
	Neem contact op met de technische ondersteuningsafdeling.

Probleem	Resolutie
<p>De sensor wordt niet herkend</p> <p>Opmerking: Voorbeeld van mogelijke displaybericht: ****</p>	<p>Als de sensor een analoge sensor is en er een bijbehorende module in de controller is geïnstalleerd, zie dan de bij het netwerk of de sensormodule meegeleverde instructies.</p>
	<p>Controleer of de kabelboom van de digitale connector zich aan de binnenzijde van het deurgedeelte bevindt en of de kabelboom niet beschadigd is.</p>
	<p>Als de digitale sensor door middel van een digitale box, een aansluitdoos van de gebruiker, digitale verlengkabels of een verlengkabel van de gebruiker op de controller aangesloten is, sluit de sensor dan direct op de controller aan en voer een apparaatscan uit. Als de controller de sensor herkent, controleer dan of alle bedrading in de aansluitdozen of verlengkabels in orde is.</p>
	<p>Zorg dat er slechts twee sensoren in de controller zijn geïnstalleerd. Hoewel er twee analoge modulepoorten aanwezig zijn, zal de controller slechts twee van de drie apparaten herkennen als er een digitale sensor en twee analoge modules zijn geïnstalleerd.</p>
	<p>Neem contact op met de technische ondersteuningsafdeling</p>
<p>De foutmelding Apparaat ontbreekt verschijnt</p>	<p>Voor een apparaatscan uit vanuit het menu Test/Onderhoud.</p>
	<p>Schakel de controller uit en weer in.</p>

Spis treści

[Specyfikacje](#) na stronie 242

[Uruchamianie systemu](#) na stronie 264

[Ogólne informacje](#) na stronie 243

[Konserwacja](#) na stronie 265

[Instalacja](#) na stronie 246

[Rozwiązywanie problemów](#) na stronie 266

[Interfejs użytkownika i nawigacja](#) na stronie 262

Dodatkowe informacje

Dodatkowe informacje są dostępne na stronie internetowej producenta.

Specyfikacje

Dane techniczne mogą zostać zmienione bez wcześniejszego powiadomienia.

Specyfikacja	Szczegóły
Opis komponentów	Kontroler sterowany za pomocą mikroprocesora oraz menu to urządzenie kontrolujące pracę czujników oraz wyświetlające wartości pomiarowe.
Temperatura robocza	Od -20 do 60°C; 95% wilgotności względnej, bez kondensacji przy obciążeniu czujnika <7 W; -20 do 50°C przy obciążeniu czujnika <28 W
Temperatura składowania	-20 do 70°C; 95% wilgotności względnej, bez kondensacji
Obudowa ¹	Metalowa obudowa zgodna ze standardem NEMA 4X/IP66 z wykończeniem antykorozyjnym
Wymagania dotyczące zasilania	Kontroler zasilany prądem zmiennym: 100–240 V AC ±10%, 50/60 Hz; 50 VA przy obciążeniu czujnika/modułu sieciowego wynoszącym 7 W; 100 VA przy obciążeniu 28 W (opcjonalne urządzenie Modbus, RS232/RS485, Profibus DVP1 lub połączenie sieciowe HART). Kontroler zasilany prądem stałym 24 V: 24 V DC - 15%, + 20%; 15 W przy obciążeniu czujnika/modułu sieciowego wynoszącym 7 W; 40 W przy obciążeniu 28 W (opcjonalne urządzenie Modbus, RS232/RS485, Profibus DPV1 lub połączenie sieciowe HART).
Wymagania dotyczące wysokości	Standardowo 6562 m n.p.m.
Stopień zanieczyszczenia / Kategoria montażowa	Stopień zanieczyszczenia 2, II kategoria instalacyjna
Wyjścia	Dwa wyjścia analogowe (0–20 mA lub 4–20 mA) Każde wyjście analogowe można przypisać, aby reprezentowało mierzone parametry, takie jak pH, temperatura, przepływ lub wartości obliczane. Moduł opcjonalny zasilany trzema dodatkowymi wyjściami analogowymi (łącznie 5).
Przełączniki	Cztery SPDT, styki konfigurowane przez użytkownika: 250 V AC, maks. 5 amperów rezystancji dla kontrolera zasilanego prądem zmiennym i 4 V DC, maks. 5 A rezystancji dla kontrolera zasilanego prądem stałym. Przełączniki zaprojektowane są z myślą o podłączeniu do głównych obwodów zasilania prądem zmiennym (kontroler jest zasilany prądem 115–240 V AC) lub do obwodów prądu stałego (kontroler jest zasilany prądem 24 V DC).
Wymiary	½ DIN — 144 x 144 x 180,9 mm (5,7 x 5,7 x 7,12 cala.)
Masa	1,7 kg (3,75 funta)

Specyfikacja	Szczegóły
Informacje o zgodności ²	<p>Znak CE (wszystkie typy czujników). Zgodność ze standardami UL i CSA organizacji ETL – wszystkie typy czujników w lokalizacjach ogólnych</p> <p>Niektóre modele zasilane prądem zmiennym z gniazdem są przeznaczone do użytku w ogólnych zabezpieczeniach zgodnie ze standardami UL oraz CSA (przez Underwriters Laboratories, ze wszystkimi typami czujników).</p>
Komunikacja cyfrowa	Opcjonalne połączenia sieciowe Modbus, RS232/RS485, Profibus DPV1 lub HART do przesyłania danych
Rejestrowanie danych	Karta pamięci SD (Secure Digital, maks. 32 GB) lub specjalny przewód RS(232 do rejestrowania danych i wykonywania aktualizacji oprogramowania. Sterownik zachowa ok. 20 000 punktów danych na czujnik.
Gwarancja	2 lata

¹ Urządzenia posiadające certyfikat Underwriters Laboratories (UL) przeznaczone są wyłącznie do użytkowania w pomieszczeniach i nie posiadają oznaczenia NEMA 4X/IP66.

² Urządzenie zasilane prądem zmiennym nie są wymieniane na liście UL.

Ogólne informacje

W żadnym przypadku producent nie ponosi odpowiedzialności za bezpośrednie, pośrednie, specjalne, przypadkowe lub wtórne szkody wynikające z błędu lub pominięcia w niniejszej instrukcji obsługi. Producent zastrzega sobie prawo do dokonania zmian w niniejszej instrukcji obsługi i w produkcie, której dotyczy w dowolnym momencie, bez powiadomienia lub zobowiązania. Na stronie internetowej producenta można znaleźć poprawione wydania.

Informacje dotyczące bezpieczeństwa

POWIADOMIENIE

Producent nie ponosi odpowiedzialności za ewentualne szkody wynikłe z niewłaściwego stosowania albo użytkowania tego produktu, w tym, bez ograniczeń szkody bezpośrednie, przypadkowe i wtórne, oraz wyklucza takie odszkodowanie w pełnym zakresie dozwolonym przez obowiązujące prawo. Użytkownik jest wyłącznie odpowiedzialny za zidentyfikowanie krytycznych zagrożeń aplikacji i zainstalowanie odpowiednich mechanizmów ochronnych procesów podczas ewentualnej awarii sprzętu.

Prosimy przeczytać całą niniejszą instrukcję obsługi przed rozpakowaniem, ustawieniem lub obsługą tego urządzenia. Należy zwrócić uwagę na wszystkie uwagi dotyczące niebezpieczeństwa i kroków zapobiegawczych. Niezastosowanie się do tego może spowodować poważne obrażenia obsługującego lub uszkodzenia urządzenia.

Należy upewnić się, czy systemy zabezpieczające wbudowane w urządzenie pracują prawidłowo. Nie używać ani nie instalować tego urządzenia w inny sposób, aniżeli podany w niniejszej instrukcji.

Korzystanie z informacji o zagrożeniach

▲ NIEBEZPIECZEŃSTWO

Wskazuje potencjalnie lub bezpośrednio niebezpieczną sytuację, która – jeśli się jej nie uniknie – doprowadzi do śmierci lub poważnych obrażeń.

▲ OSTRZEŻENIE

Wskazuje na potencjalną lub bezpośrednią niebezpieczną sytuację, która, jeżeli się jej nie uniknie, może doprowadzić do śmierci lub ciężkich obrażeń.

▲ UWAGA





Wskazuje na potencjalnie niebezpieczną sytuację, która może doprowadzić do mniejszych lub średnich obrażeń.

POWIADOMIENIE

Wskazuje sytuację, która – jeśli się jej nie uniknie – może doprowadzić do uszkodzenia urządzenia. Informacja, która wymaga specjalnego podkreślenia.

Etykiety ostrzegawcze

Należy przeczytać wszystkie etykiety i przywieszki dołączone do urządzenia. Nieprzestrzeganie tych instrukcji może spowodować obrażenia ciała lub uszkodzenie przyrządu. Symbol umieszczony na przyrządzie jest zamieszczony w podręczniku i opatrzony informacją o stosownych środkach ostrożności.

	Ten symbol, jeżeli znajduje się on na przyrządzie, odsyła do instrukcji obsługi i/lub informacji dotyczących bezpieczeństwa.
	Ten symbol wskazuje niebezpieczeństwo szoku elektrycznego i/lub porażenia prądem elektrycznym.
	Ten symbol informuje o obecności urządzeń wrażliwych na wyładowania elektrostatyczne (ESD) i oznacza, że należy zachować ostrożność, aby nie uszkodzić urządzeń.
	Od 12 sierpnia 2005 na terenie Unii Europejskiej oznaczonych tym symbolem urządzeń elektrycznych nie można usuwać przy użyciu publicznych systemów utylizacji odpadów. Zgodnie z lokalnymi i krajowymi przepisami, obowiązującymi na terenie Unii Europejskiej (Dyrektywa 2002/96/WE), użytkownicy urządzeń elektrycznych są zobowiązani do zwrotu starych lub wyeksploatowanych urządzeń producentowi, który je zutylizuje. Użytkownicy nie ponoszą żadnych kosztów związanych z tą operacją.

Certyfikaty

Kanadyjska regulacja prawna dotycząca sprzętu powodującego zakłócenia odbioru radiowego, IECS-003, klasa A:

Stosowne wyniki testów dostępne są u producenta.

Ten cyfrowy aparat klasy A spełnia wszystkie wymogi kanadyjskich regulacji prawnych dotyczących sprzętu powodującego zakłócenia.

Cet appareil numérique de classe A répond à toutes les exigences de la réglementation canadienne sur les équipements provoquant des interférences.

FCC Część 15, Ograniczenia Klasy "A"

Stosowne wyniki testów dostępne są u producenta. Niniejsze urządzenie spełnia warunki Części 15 Zasad FCC. Przy pracy obowiązują poniższe warunki:

1. Sprzęt nie może powodować szkodliwego zakłócenia.
2. Sprzęt musi akceptować wszelkie odbierane zakłócenia, w tym zakłócenia, które mogą powodować niepożądane działanie.

Zmiany oraz modyfikacje tego urządzenia, które nie zostały wyraźnie zaakceptowane przez stronę odpowiedzialną za zgodność, mogą spowodować pozbawienie użytkownika upoważnienia do korzystania z niniejszego urządzenia. To urządzenie zostało przetestowane i odpowiada ograniczeniom dla urządzenia cyfrowego klasy A, stosownie do części 15 zasad FCC. Ograniczenia te zostały wprowadzone w celu zapewnienia należytej ochrony przed szkodliwymi zakłóceniami, gdy urządzenie jest użytkowane w środowisku komercyjnym. Niniejsze urządzenie wytwarza, używa i może wydzielać energię o częstotliwości radiowej oraz, jeśli nie jest zainstalowane i używane zgodnie z instrukcją obsługi, może powodować szkodliwe zakłócenia w łączności radiowej. Istnieje prawdopodobieństwo, że wykorzystywanie tego urządzenia w terenie mieszkalnym może spowodować szkodliwe zakłócenia. W takim przypadku użytkownik jest zobowiązany do usunięcia zakłóceń na własny koszt. W celu zmniejszenia problemów z zakłóceniami można wykorzystać poniższe metody:

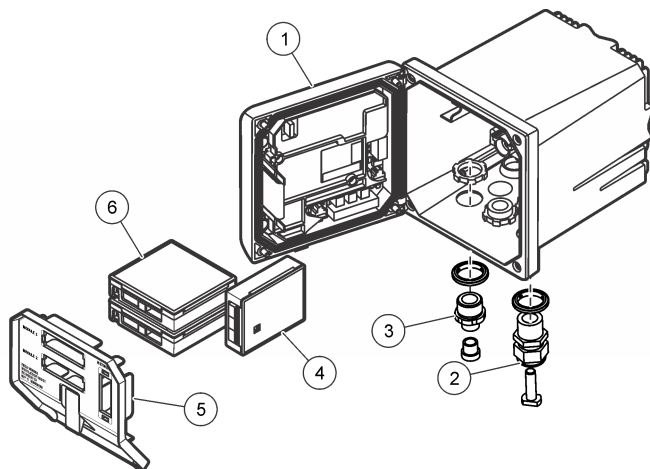
1. Odłączyć urządzenie od źródła zasilania, aby zweryfikować, czy jest ono źródłem zakłóceń, czy też nie.
2. Jeśli sprzęt jest podłączony do tego samego gniazdka co urządzenie wykazujące zakłócenie, podłączyć sprzęt do innego gniazdka.
3. Odsunąć sprzęt od zakłócanego urządzenia.
4. Zmienić pozycję anteny odbiorczej urządzenia zakłócanego.
5. Spróbować kombinacji powyższych metod.

Przegląd produktu

Kontroler wyświetla pomiary wykonywane przez czujnik oraz inne dane, może przesyłać sygnały analogowe i cyfrowe oraz współpracować i sterować innymi urządzeniami za pomocą wyjść oraz przekaźników. Wyjścia, przekaźniki oraz czujniki modułów są konfigurowane i kalibrowane za pomocą interfejsów użytkownika znajdujących się z przodu kontrolera.

Na rysunku [Rysunek 1](#) pokazane są elementy produktu. Elementy mogą się różnić w zależności od konfiguracji kontrolera. W przypadku brakujących lub uszkodzonych części, należy skontaktować się z producentem.

Rysunek 1 Elementy systemu



1 Urządzenie sterujące	4 Moduł sieciowy (opcjonalny)
2 Zabezpieczenie wtyku (opcjonalne, zależne od wersji kontrolera)	5 Zabezpieczenie przed wysokim napięciem
3 Mocowanie złącza cyfrowego (opcjonalne, zależne od wersji kontrolera)	6 Moduły czujników (opcjonalne)

Czujniki i moduły czujników

Do kontrolera można podłączyć do dwóch modułów czujników lub dwóch czujników cyfrowych (w zależności od konfiguracji urządzenia) wraz z jednym modulem komunikacyjnym. Jednocześnie można podłączyć jeden czujnik cyfrowy i jeden moduł czujnika. Do modułów czujników można podłączać różne rodzaje czujników. Informacje o podłączeniu czujników znajdują się w instrukcjach modułów tych czujników oraz w instrukcjach konkretnych modułów.

Wyjścia przekaźników i sygnały

Kontroler wyposażony jest w cztery konfigurowalne przekaźniki oraz dwa wyjścia analogowe. Dodatkowy moduł wyjść analogowych może zwiększyć ich ilość do pięciu.

Skanowanie w poszukiwaniu urządzeń

Nie licząc dwóch wyjątków, kontroler po włączeniu automatycznie wykonuje skanowanie w poszukiwaniu urządzeń bez udziału użytkownika. Pierwszym wyjątkiem jest pierwsze włączenie urządzenia. Drugim wyjątkiem jest włączenie kontrolera po przywróceniu domyślnych ustawień urządzenia. W obu przypadkach kontroler najpierw wyświetli ekrany konfiguracji języka, daty i godziny. Po zaakceptowaniu ustawień języka, daty oraz godziny, regulator wykona skanowanie w poszukiwaniu urządzeń. [Podłącz cyfrowy czujnik sc](#) na stronie 260 zawiera instrukcje dotyczące sposobu skanowania urządzeń, kiedy sterownik jest już włączony.

Obudowa kontrolera

Obudowa kontrolera jest zgodna ze standardem NEMA 4X/IP66 oraz posiada wykończenie odporne na korozyjne środowisko, takie jak mgła solna oraz siarczek wodoru. Ochrona przed uszkodzeniami środowiskowymi jest zalecana przy pracy na zewnątrz budynków.

Uwaga: Urządzenia posiadające certyfikat *Underwriters Laboratories (UL)* przeznaczone są wyłącznie do użytkowania w pomieszczeniach i nie posiadają oznaczenia NEMA 4X/IP66.

Opcje montażu kontrolera

Kontroler można montować na panelu, na ścianie lub na rurze poziomej i pionowej. Do zestawu dołączona jest neoprenowa uszczelka, którą można wykorzystać do ograniczenia wibracji. Uszczelka można zostać wykorzystana jako szablon do montażu panelu, zanim oddzielona zostanie jej wewnętrzna część.

Instalacja

Montaż elementów i wymiary

▲ UWAGA

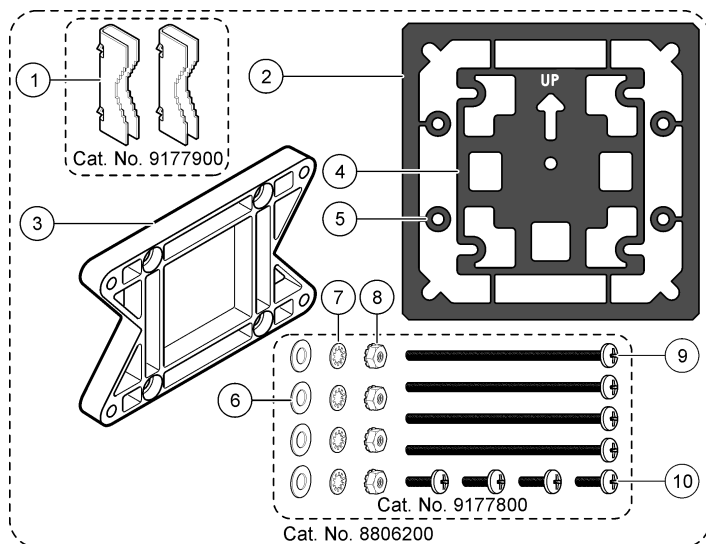
Zagrozenie uszkodzenia ciała. Tylko wykwalifikowany personel powinien przeprowadzać prace opisane w tym rozdziale instrukcji obsługi.

Regulator można montować na powierzchni, panelu lub rurze (poziomo i pionowo). Więcej opcji montażu można znaleźć w częściach [Rysunek 2](#), [Rysunek 3](#) na stronie 248, [Rysunek 4](#) na stronie 249, [Rysunek 5](#) na stronie 250 oraz [Rysunek 6](#) na stronie 251.

W przypadku montażu poziomego do wspornika montażowego należy pionowo zamocować stopy montażowe ([Rysunek 2](#)).

W przypadku montażu pionowego i poziomego należy w sposób pokazany na rysunku [Rysunek 5](#) na stronie 250 zamocować do kontrolera wspornik montażowy.

Rysunek 2 Elementy montażowe

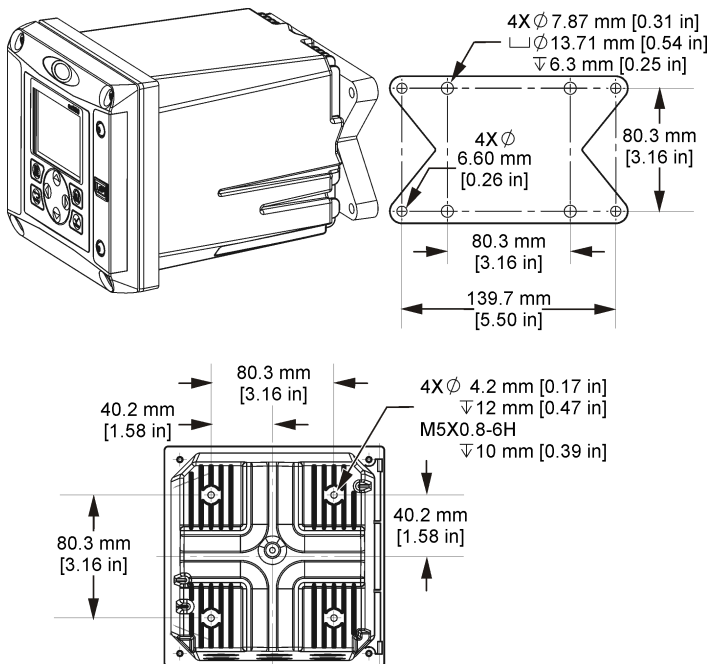


1 Stopy montażowe (2 szt.)	6 Podkładki płaskie, śr. wewn. ¼ cala (4 szt.)
2 Uszczelka montażowa do mocowania panelu, neoprenowa	7 Podkładka zabezpieczająca, śr. wewn. ¼ cala (4 szt.)
3 Wspornik do montażu ściennego i narurowego	8 Nakrętki sześciokątne M5 x 0,8 Keps (4 szt.)
4 Uszczelka wibroizolacyjna do montażu narurowego	9 Śruby z łbem walcowym zaokrąglonym, M 5 x 0,8 x 100 mm (4 szt.) (do montażu na rurach o różnej średnicy)
5 Podkładka wibroizolacyjna do montażu narurowego (4 szt.)	10 Śruby z łbem walcowym zaokrąglonym, M 5 x 0,8 x 15 mm (4 szt.)

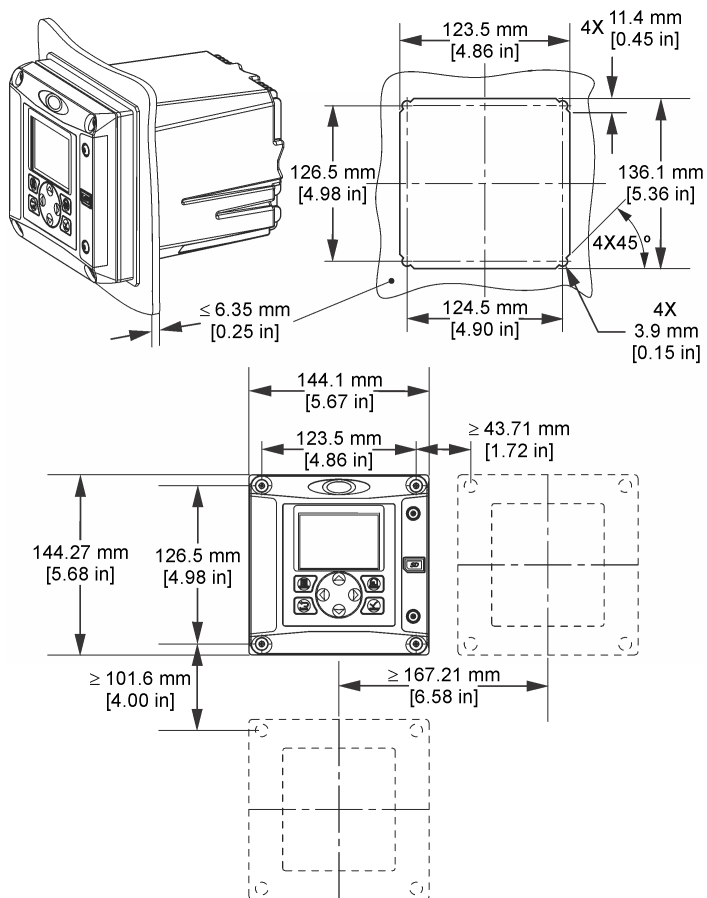
Uwaga: Uchwyt płyty montażowej jest dostępny jako wyposażenie opcjonalne.

Mocowanie kontrolera

Rysunek 3 Wymiary powierzchni montażowej

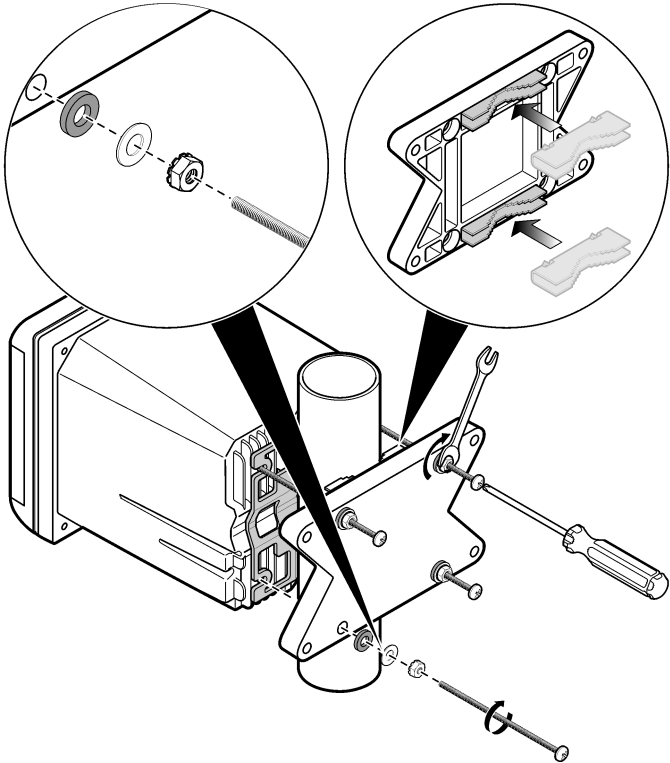


Rysunek 4 Wymiary płyty montażowej

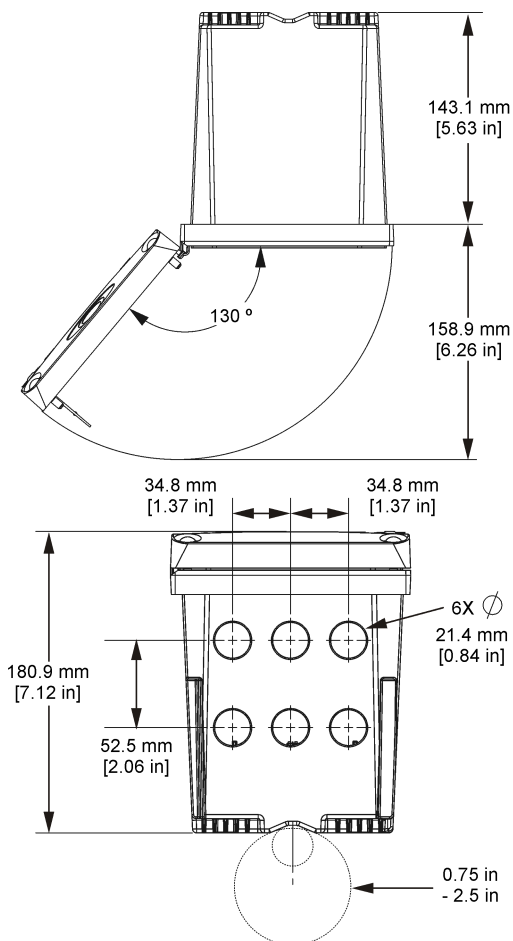


Uwaga: Jeśli używany jest uchwyt (opcja) do płyty montażowej, przeciśnij urządzenie przez otwór w płycie, a następnie nasuń uchwyt na urządzenie z tyłu płyty. Użyj czterech śrub z łbem gniazdowym 15 mm (w zestawie), aby zamontować uchwyt do urządzenia i urządzenie do płyty.

Rysunek 5 Montaż narutowy (rura pionowa)



Rysunek 6 Widok z góry i z dołu



Zabezpieczenie przed wysokim napięciem

Przewody wysokiego napięcia kontrolera znajdują się za zabezpieczeniem w obudowie urządzenia. Zabezpieczenie musi pozostać na miejscu, chyba że montuje się moduły lub gdy wykwalifikowany specjalista podłączy zasilanie, alarmy, wyjścia lub przełączniki. Bariery nie wolno usuwać, gdy urządzenie jest podłączone do zasilania.

Uwagi dotyczące wyładowań elektrostatycznych (ESD)

POWIADOMIENIE



Potencjalne uszkodzenie urządzenia. Elektryczność statyczna może doprowadzić do uszkodzenia delikatnych wewnętrznych komponenty elektroniczne, powodując gorsze działanie urządzenia lub ewentualny jego defekt.

Wykonaj czynności dla tej procedury, aby zapobiec wyładowaniom elektrostatycznym, które mogłyby uszkodzić przyrząd:

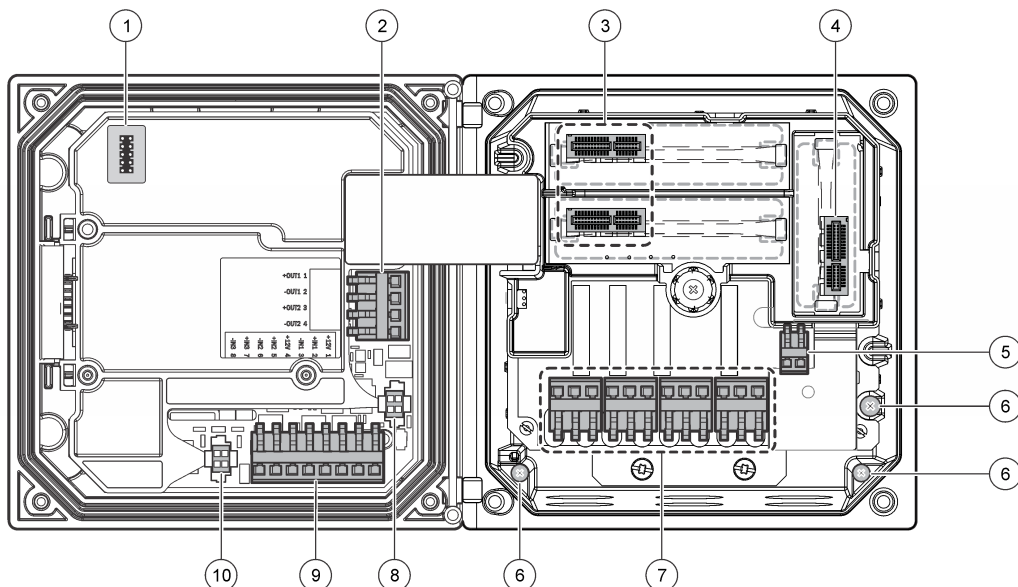
- Dotknij uziemionej metalowej powierzchni (np. obudowy przyrządu lub metalowej rury), aby rozładować napięcie elektrostatyczne swojego ciała.
- Unikaj wykonywania gwałtownych ruchów. Elementy wrażliwe na ładunki elektrostatyczne należy transportować w opakowaniach antystatycznych.
- Załóż opaskę na nadgarstek połączoną z uziemieniem.
- Pracuj w środowisku wyłożonym antystatycznymi płytkami podłogowymi i okładziną na stole.

Opis okablowania

Na rysunku **Rysunek 7** przedstawione jest okablowanie w urządzeniu z usuniętą osłoną wysokiego napięcia. Po lewej stronie rysunku widoczny jest tył pokrywy urządzenia.

Uwaga: Przed rozpoczęciem instalowania modułu ze złączy należy zdjąć nasadki.

Rysunek 7 Opis połączeń przewodów



1 Podłączenie przewodu roboczego	5 Złącze zasilania AC i DC ¹	9 Złącze wejść dyskretnych ¹
2 Wyjście 4–20 mA ¹	6 Zacisk uziemienia	10 Złącze czujnika cyfrowego ¹
3 Złącze modułu czujnika	7 Połączenia przekaźników ¹	
4 Złącze modułu komunikacji (np. Modbus, Profibus, HART, opcjonalny moduł 4–20 mA itp.)	8 Złącze czujnika cyfrowego ¹	

¹ Terminale można zdemontować, aby ułatwić dostęp.

Okablowanie zasilające

⚠ OSTRZEŻENIE



Potencjalne niebezpieczeństwo śmiertelnego porażenia prądem elektrycznym. Wykonując połączenia elektryczne zawsze odłączyć zasilanie urządzenia.

⚠ OSTRZEŻENIE



Potencjalne niebezpieczeństwo śmiertelnego porażenia prądem elektrycznym. Jeśli sprzęt jest stosowany na zewnątrz lub w potencjalnie wilgotnych lokalizacjach, należy zastosować **Doziemienie** przed podłączeniem sprzętu do głównego źródła zasilania.

⚠ NIEBEZPIECZEŃSTWO



Niebezpieczeństwo śmiertelnego porażenia prądem elektrycznym. Nie należy podłączać zasilania prądem przemiennym do modelu zasilanego prądem stałym 24 V.

⚠ OSTRZEŻENIE



Potencjalne niebezpieczeństwo śmiertelnego porażenia prądem elektrycznym. Podłączenie uziemienia (PE) jest wymagane zarówno do aplikacji okablowania prądu przemiennego 100-240 V, jak również prądu stałego 24 V. Brak podłączenia dobrego uziemienia może skutkować niebezpieczeństwem wstrząsu lub słabym działaniem ze względu na zakłócenia elektromagnetyczne. **ZAWSZE** należy podłączyć sprawne uziemienie (PE) do zacisku sterownika.

POWIADOMIENIE

Urządzenia należy zainstalować w lokalizacji oraz w pozycji, które umożliwiają łatwe odłączenie urządzenia i jego obsługę.

Kontroler można zakupić jako w wersji zasilanej prądem 100-240 V (AC) lub 24 V (DC). Należy postępować zgodnie z instrukcjami dotyczącymi okablowania konkretnego modelu.

Zasilanie sieciowe może być przyłączone w rurze kablowej lub w formie przewodu zasilającego. Niezależnie od typu okablowania, połączenia wykonuje się w tym samym terminalu. Wymagane jest zainstalowanie lokalnego odłącznika zasilania elektrycznego i musi on być oznakowany w instalacjach wszelkich typów. Przy zastosowaniach z okablowaniem stałym, wymagania dla średnicy przewodu uziemiającego wynoszą 18-12 AWG.

Uwagi:

- Ochrona napięcia musi zostać zdjęta przed wykonaniem dowolnych połączeń elektrycznych. Po wykonaniu wszystkich połączeń, należy ponownie zamontować osłonę przed zamknięciem osłony urządzenia.
- Aby utrzymać zgodność z normą bezpieczeństwa NEMA 4X/IP66, można użyć izolującego zabezpieczenia styku oraz przewodu zasilającego krótszego niż 3 metry (10 stóp) z trzema przewodnikami o średnicy 18 (wraz z przewodem uziemiającym).
- Urządzenia można zamawiać w wersji z zamocowanymi już przewodami AC. Można także zamawiać dodatkowe przewody zasilające.
- Źródło zasilania DC, które dostarcza zasilanie do urządzenia V DC musi zachować regulację napięcia w określonych granicach 24 V DC-15% +20%. Źródło zasilania DC musi także odpowiednio zabezpieczać przed przepięciami oraz przebiegami niestabilnymi.

Procedura okablowania

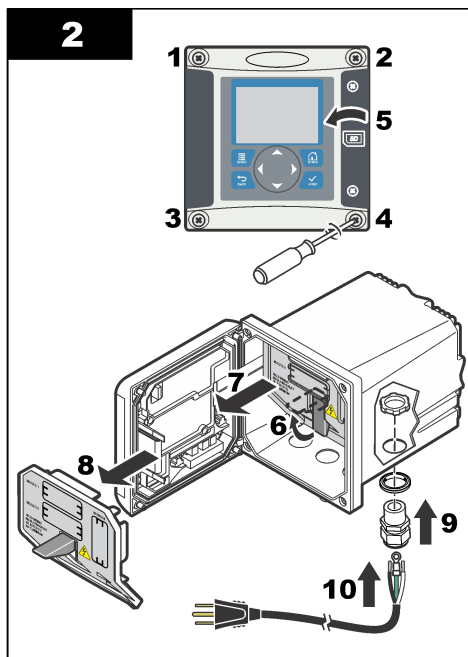
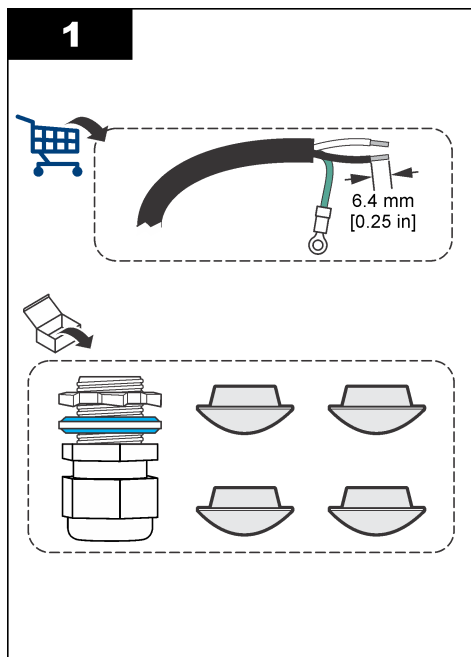
Zobacz ilustrowane czynności poniżej oraz [Tabela 1](#) lub [Tabela 2](#), aby podłączyć sterownik do zasilania. Każdy przewód należy wkładać do odpowiedniego terminala, aż do momentu, gdy izolacja oprze się o złącze, bez widocznego niez izolowanego przewodu. Pociągnij lekko po włożeniu, aby się upewnić, że połączenie jest prawidłowe. Uszczelnij wszelkie nieużywane otwory skrzynki regulatora za pomocą korków uszczelniających otworów rur kablowych.

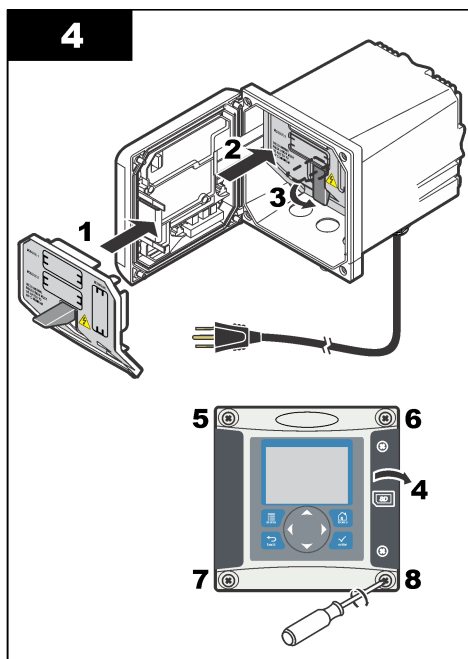
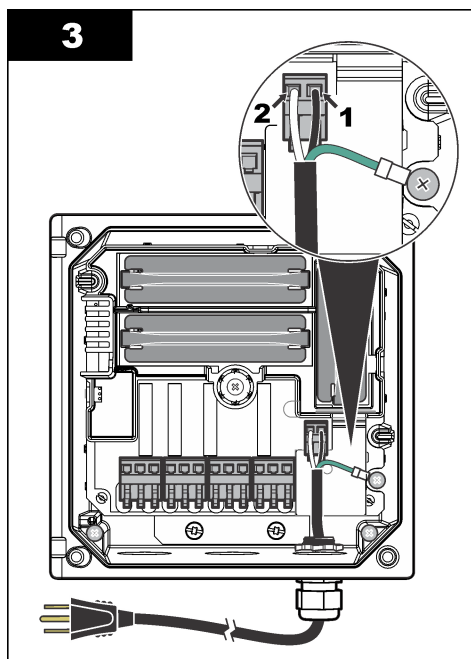
Tabela 1 Informacje o okablowaniu zasilającym (tylko modele zasilane prądem zmiennym)

Zacisk	Opis	Kolor — Ameryka Północna	Kolor — UE
1	Przewód fazowy (L1)	Czarny	Brazowy
2	Przewód zerowy	Biały	Niebieski
—	Zacisk oczkowy uziemienia	Zielony	Zielony z żółtym paskiem

Tabela 2 Informacje o okablowaniu DC (tylko modele DC)

Zacisk	Opis	Kolor — Ameryka Północna	Kolor — UE
1	+24 VDC	Czerwony	Czerwony
2	Powrót 24 V prądu stałego	Czarny	Czarny
—	Zacisk oczkowy uziemienia	Zielony	Zielony z żółtym paskiem





Alarmy i przekaźniki

Kontroler jest wyposażony w cztery niezasilane, jednobiegunowe przekaźniki - 100–250 V AC, 50/60 Hz, maks. 5 amperów rezystancji. Styki: 250 V AC, maks. 5 amperów rezystancji dla kontrolera zasilanego prądem zmiennym i 4 V DC, maks. 5 A rezystancji dla kontrolera zasilanego prądem stałym. Przekaźniki nie są chronione przez obciążeniami indukcyjnymi.

Okablowanie przekaźników

⚠ OSTRZEŻENIE



Potencjalne niebezpieczeństwo śmiertelnego porażenia prądem elektrycznym. Wykonując połączenia elektryczne zawsze odłączaj zasilanie urządzenia.

⚠ OSTRZEŻENIE



Potencjalne zagrożenie pożarem. Styki przekaźników mają wytrzymałość 5 A i nie są chronione przez bezpiecznik. Zewnętrzne obciążenia podłączane do przekaźników muszą być wyposażone w urządzenia ograniczające prąd do <5 A.

⚠ OSTRZEŻENIE



Potencjalne zagrożenie pożarem. Nie należy codziennie łączyć w urządzeniu złącza przekaźników i przewodów połączeniowych z głównym zasilaniem.

⚠ OSTRZEŻENIE



Potencjalne niebezpieczeństwo śmiertelnego porażenia prądem elektrycznym. Aby zachować zgodność obudowy ze standardami NEMA/IP, do doprowadzania przewodów do urządzenia należy używać wyłącznie osprzętu do rurkowania oraz dławików zgodnych co najmniej ze standardem NEMA 4X/IP66.

Urządzenia zasilane prądem 100–250 V AC

Przegroda dla okablowania nie jest przeznaczona do podłączania napięcia przekraczającego 250 V (AC).

Urządzenie zasilanie prądem 24 V DC

⚠ OSTRZEŻENIE



Potencjalne niebezpieczeństwo śmiertelnego porażenia prądem elektrycznym. Regulatory zasilane prądem zmiennym z gniazdek (115 V - 230 V) są zaprojektowane pod kątem przekazywania połączeń do gniazdkowych obwodów AC (napięcia wyższe niż 16 V-RMS, 22,6 V-PEAK lub 35 VDC).

⚠ OSTRZEŻENIE



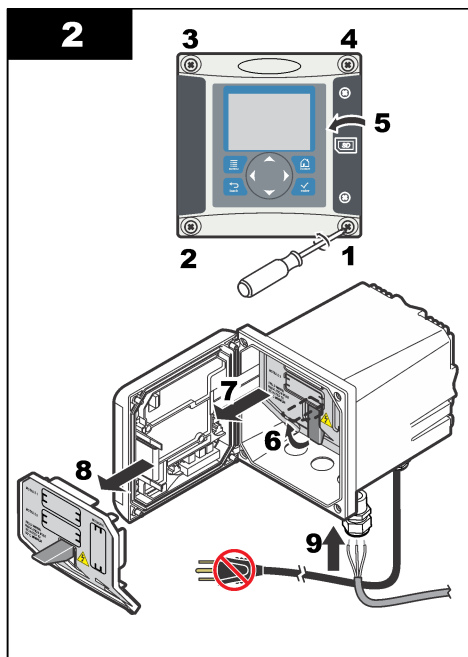
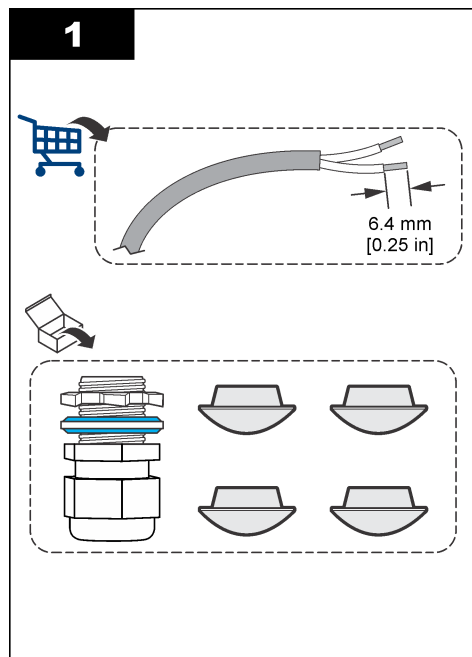
Potencjalne niebezpieczeństwo śmiertelnego porażenia prądem elektrycznym. Kontrolery zasilane napięciem 24 V są zaprojektowane pod kątem przekazywania połączeń do obwodów niskonapięciowych, czyli o napięciu niższym niż 16 V-RMS, 22,6 V-PEAK lub 35 VDC.

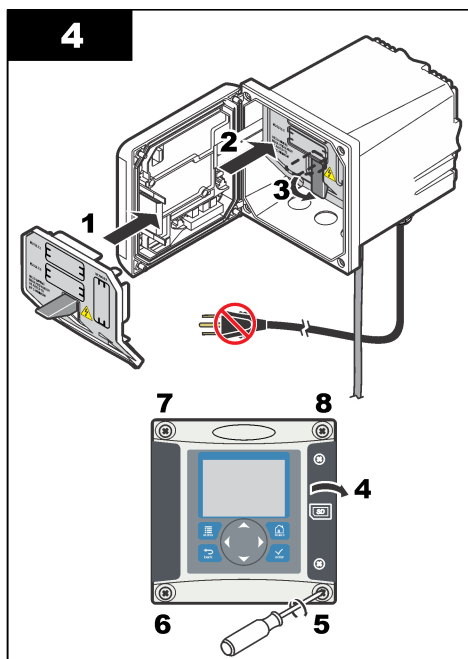
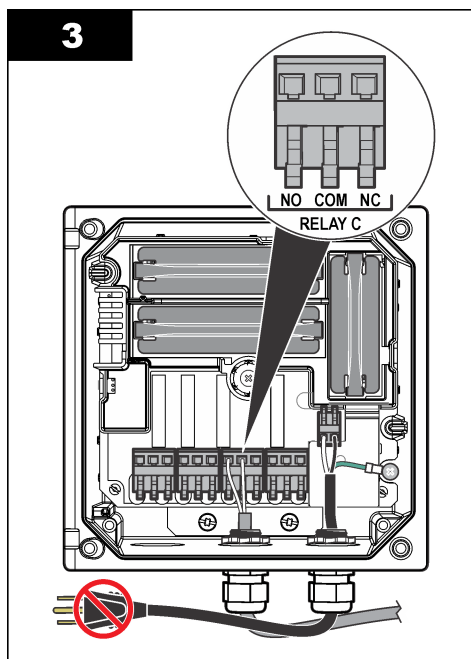
Przełączniki kontrolera 24 V DC są przeznaczone do podłączania do obwodów nisko-napięciowych (np. napięcie niższe niż 30 V RMS, 42,2 V-PEAK lub 60 V DC). Przegroda dla okablowania nie jest przeznaczona do podłączania napięcia przekraczającego podany zakres.

Do złącz przełączników można przyłączać przewody o rozmiarze 18-12 AWG (co determinuje przyłożone obciążenie). Rozmiar przewodu mniejszy niż 18 AWG nie jest zalecany.

Styki przełącznika normalnie otwarte (NO) i wspólne (COM) zostaną zwarte w przypadku uaktywnienia się alarmu lub innego warunku. Styki przełącznika normalnie zamknięte (NC) i wspólne (COM) zostaną zwarte w przypadku, gdy alarm lub inny warunek nie uaktywnią się (chyba, że wybrana zostanie opcja Fail Safe [Odporny na uszkodzenia]) lub gdy urządzenie zostanie odłączone od zasilania.

Większość połączeń przełączników wykorzystuje złącza NO i COM lub NC i COM. Ponumerowane kroki montażowe przedstawiają sposób podłączania do złączy NO i COM.





Analogowe złącza wyjściowe

⚠ OSTRZEŻENIE



Potencjalne niebezpieczeństwo śmiertelnego porażenia prądem elektrycznym. Wykonując połączenia elektryczne zawsze odłączać zasilanie urządzenia.

⚠ OSTRZEŻENIE



Potencjalne niebezpieczeństwo śmiertelnego porażenia prądem elektrycznym. Aby zachować zgodność obudowy ze standardami NEMA/IP, do doprowadzania przewodów do urządzenia należy używać wyłącznie osprzętu do rurkowania oraz dławików zgodnych co najmniej ze standardem NEMA 4X/IP66.

W zestawie dostępne są dwa izolowane wyjścia analogowe (1 i 2) (Rysunek 8). Takie wyjścia przeważnie stosuje się do analogowego przesyłania sygnału lub do kontrolowania innych urządzeń zewnętrznych.

Przewody do kontrolera należy podłączać w sposób pokazany na rysunku Rysunek 8 i Tabela 3.

Uwaga: Na rysunku Rysunek 8 widać tył pokrywy kontrolera, a nie wnętrze jego głównej komory.

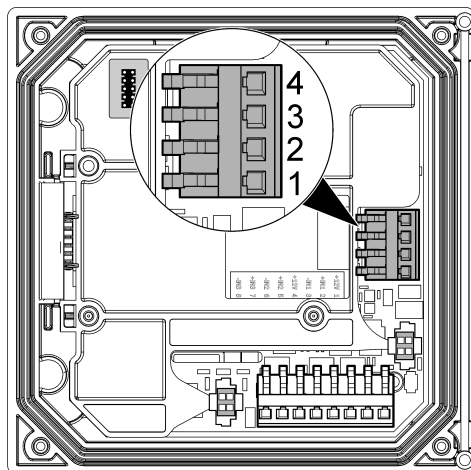
Tabela 3 Złącza wyjściowe

Przewody przyrządu rejestrującego	Lokalizacja płytki obodu
Wyjście 2-	4
Wyjście 2+	3
Wyjście 1-	2
Wyjście 1+	1

1. Otworzyć pokrywę kontrolera.
2. Przełóż przewody przez zabezpieczenie wtyku.

3. Ułóż przewody wedle potrzeb i zaciśnij zabezpieczenie.
4. Przyłączenie należy przeprowadzić przy pomocy ekranowanej skrętki dwużyłowej i przyłączyć ekran po stronie kontrolowanego komponentu lub po stronie pętli kontrolnej.
 - Nie wolno przyłączać ekranu na obu końcach przewodu.
 - Użycie nieekranowanego przewodu może spowodować emisję na częstotliwości radiowej lub poziom wrażliwości na zakłócenia wyższy od dopuszczalnego.
 - Maksymalna oporność pętli wynosi 500 omów.
5. Zamknij pokrywkę kontrolera i dokręć śrubki.
6. Skonfiguruj wyjścia w urządzeniu sterującym.

Rysunek 8 Analogowe złącza wyjściowe



Złącza dyskretne z okablowaniem wejścia

⚠ OSTRZEŻENIE



Potencjalne niebezpieczeństwo śmiertelnego porażenia prądem elektrycznym. Wykonując połączenia elektryczne zawsze odłączać zasilanie urządzenia.

⚠ OSTRZEŻENIE



Potencjalne niebezpieczeństwo śmiertelnego porażenia prądem elektrycznym. Aby zachować zgodność obudowy ze standardami NEMA/IP, do doprowadzania przewodów do urządzenia należy używać wyłącznie osprzętu do rurkowania oraz dławików zgodnych co najmniej ze standardem NEMA 4X/IP66.

W zestawie są trzy wejścia dyskretne służące jako wejścia zamknięcia przełącznika lub wejścia napięciowe poziomu logicznego. Sprawdź okablowanie i skonfiguruj ustawienia zworek, jak pokazano na rysunkach [Rysunek 9](#), [Tabela 4](#) i [Rysunek 10](#).

Uwaga: Na rysunku [Rysunek 9](#) widać tył pokrywy kontrolera, a nie wnętrze jego głównej komory.

Rysunek 9 Złącza dyskretne z okablowaniem wejścia

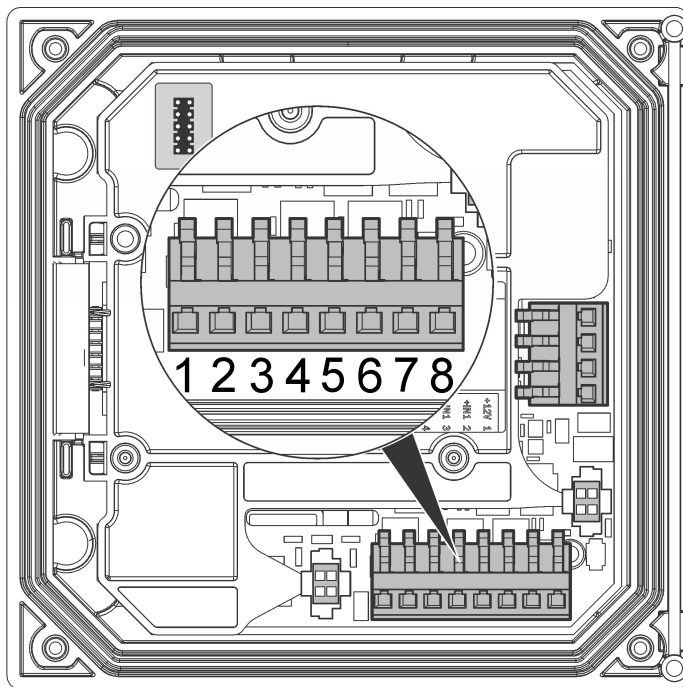
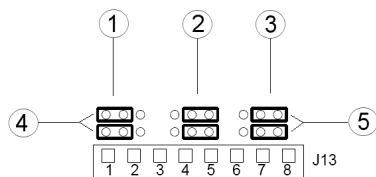


Tabela 4 Połączenia wejściowe

Wejścia dyskretne	Położenie złączy - wejście przełącznika	Położenie złączy - wejście napięciowe
Wejście 1+	3	2
Wejście 1-	2	3
Wejście 2+	6	5
Wejście 2-	5	6
Wejście 3+	8	7
Wejście 3-	7	8

Rysunek 10 Ustawienia zworek



1 Konfiguracja zworek dla wejścia 1	4 Dla wejść przełącznika zworki przełączone w lewo
2 Konfiguracja zworek dla wejścia 2	5 Dla wejść napięciowych zworki przełączone w prawo
3 Konfiguracja zworek dla wejścia 3	

1. Otwórz pokrywę kontrolera.
2. Przelóż przewody przez przepust przewodów.
3. Ułóż przewód wedle potrzeb i zaciśnij przepust przewodu.
4. Zworki znajdują się tuż za złączem. Wyjmij złącze dla lepszego dostępu do zworek i skonfiguruj ustawienia złączek według rodzaju wejścia, jak pokazano na rysunku [Rysunek 10](#).
5. Zamknij pokrywę kontrolera i dokręć śruby.
6. Skonfiguruj wejścia w urządzeniu

Uwaga: W trybie **wejście przełącznika** urządzenie zasilia przełącznik napięciem 12 V. Wejście nie jest izolowane od urządzenia. W trybie **wejście napięciowe** wejścia są izolowane od urządzenia (napięcie wejściowe wynosi od 0 do 30 V).

Podłącz cyfrowy czujnik sc

Uwaga: Informacje o podłączeniu czujnika analogowego można znaleźć w instrukcji dołączonej do modułu lub w instrukcji czujnika.

Czujnik elektroniczny można podłączyć do kontrolera, korzystając z szybkiego mocowania klawiszowego ([Rysunek 11](#)). Czujnik elektroniczny można podłączać do włączonego lub wyłączzonego kontrolera.

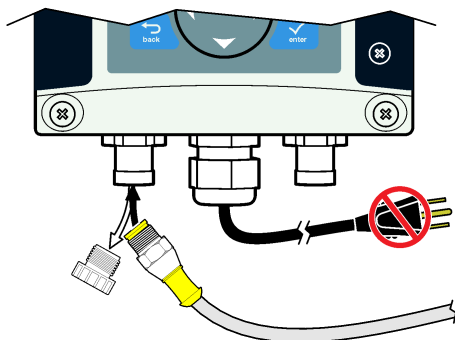
Gdy czujnik jest podłączany do włączonego kontrolera, urządzenia to nie przeprowadzi automatycznego skanowania w poszukiwaniu urządzeń. Aby kontroler wykonał to skanowanie, należy przejść do menu Test/Konserwacja i wybrać opcję Skanuj urządzenia. Jeśli wykryte zostanie nowe urządzenie, kontroler samodzielnie przeprowadzi proces jego instalacji.

Jeśli czujnik jest podłączany przy wyłączonym urządzeniu sterującym, urządzenie to przeprowadzi skanowanie w poszukiwaniu urządzeń po ponownym włączeniu. Jeśli wykryte zostanie nowe urządzenie, kontroler samodzielnie przeprowadzi proces jego instalacji.

Zachowaj nasadkę wtyku, aby móc zamknąć otwór wtykowy na wypadek, gdyby trzeba było usunąć czujnik.

Rysunek 11 Szybkie podłączenie czujnika cyfrowego

1.



Podłączenie opcjonalnego wyjścia komunikacji cyfrowej

Produkt obsługuje protokoły komunikacji Modbus RS485, Modbus RS232, Profibus DPV i HART. Opcjonalny, cyfrowy moduł wyjściowy jest instalowany w miejscu wskazanym liczbą 4 na rysunku [Rysunek 7](#) na stronie 252. Więcej informacji można znaleźć w dołączonej instrukcji modułu sieciowego.

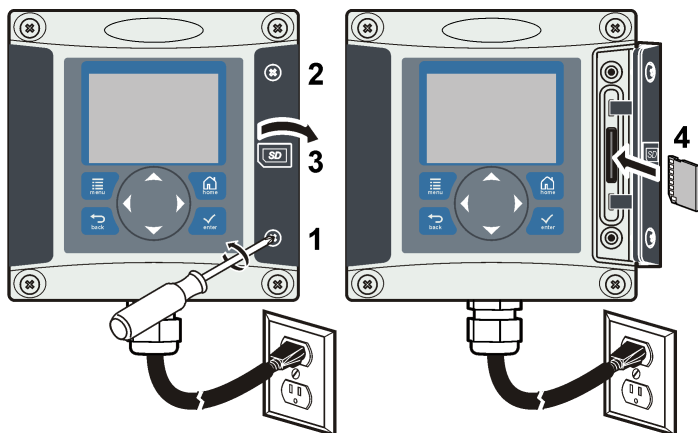
Aby uzyskać informacje na temat rejestrów Modbus, przejdź do <http://www.hach-lange.com> lub <http://www.hach.com> i wyszukaj pozycję *Rejestry Modbus* lub do dowolnej strony produktu sc200.

Instalowanie karty pamięci Secure Digital (SD)

Instrukcje dotyczące instalacji karty SD w kontrolerze można znaleźć w części [Rysunek 12](#). Informacje na temat korzystania z karty pamięci SD można znaleźć w rozszerzonej wersji niniejszego podręcznika.

Aby usunąć kartę SD, należy docisnąć krawędź karty i puścić ją, a następnie pociągnąć ją do góry i wyciągnąć z gniazda. Po usunięciu karty należy zamknąć pokrywę gniazda i dokręcić śrubki.

Rysunek 12 Instalacja karty SD

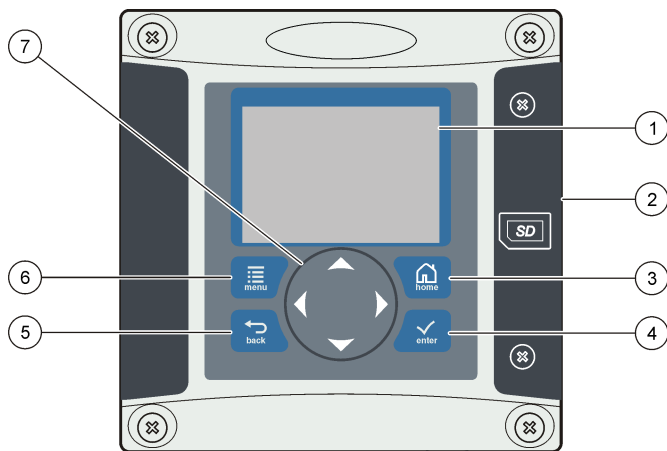


Interfejs użytkownika i nawigacja

Interfejs użytkownika

Klawiatura posiada cztery przyciski menu oraz cztery strzałki kierunkowe, tak jak pokazano na rysunku [Rysunek 13](#).

Rysunek 13 Klawiatura i widok na panel przedni



1 Wyświetlacz urządzenia	5 Przycisk BACK . Przenosi o jeden poziom do tyłu w strukturze menu.
2 Pokrywa gniazda karty pamięci SD	6 Przycisk MENU . Przenosi do Menu ustawienia z innych ekranów i podmenu.
3 Przycisk HOME . Przejście do głównego menu pomiarowego z innych ekranów i podmenu.	7 Przyciski strzałek. Służą do poruszania się po menu, do zmiany ustawień oraz zwiększania lub zmniejszania wartości liczbowych.
4 Przycisk ENTER . Zatwierdzanie wprowadzonych wartości, aktualizacji oraz wyświetlonych opcji menu.	

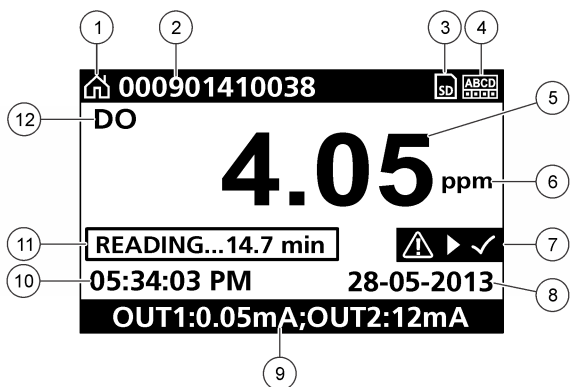
Wejścia i wyjścia są konfigurowane poprzez panel przedni za pomocą klawiatury oraz ekranu wyświetlacza. Interfejs użytkownika jest wykorzystywany do konfigurowania wejść i wyjść, tworzenia informacji o rejestracji, obliczania wartości oraz do kalibracji czujników. Interfejs karty SD służy do zapisywania rejestrów i aktualizowania oprogramowania.

Wyświetlacz

Na rysunku [Rysunek 14](#) pokazany jest przykład głównego ekranu pomiarowego, gdy do kontrolera podłączony jest czujnik cyfrowy.

Na przednim panelu wyświetlacza pokazane są dane pomiarowe, ustawienia kalibracji i ogólne, błędy, ostrzeżenia oraz inne informacje.

Rysunek 14 Przykładowy ekran pomiarowy



1 Ikona ekranu głównego	7 Pasek stanu ostrzegawczego
2 Nazwa czujnika	8 Data
3 Ikona karty pamięci SD	9 Wartości analogowe na wyjściu
4 Wskaźnik stanu przekaźnika	10 Godzina
5 Wartość pomiaru	11 Pasek postępu
6 Jednostka pomiarowa	12 Parametr pomiarowy

Tabela 5 Opisy ikon

Ikona / klawisz	Opis
Ekran główny	Wygląd ikony zależy od wyświetlanego ekranu lub menu. Przykładowo, jeśli zainstalowana jest karta SD, a użytkownik znajduje się w menu konfiguracji kart SD, wyświetlana będzie ikona karty SD.
Karta pamięci SD	Ikona ta jest wyświetlana, tylko jeśli w gnieździe czytnika znajduje się karta SD. Gdy użytkownik znajduje się w menu konfiguracji kart SD, ikona ta jest wyświetlana w lewym, górnym rogu.
Ostrzeżenie	Ikona ostrzeżenia ma formę wykrzyknika wpisanego w trójkąt. Ikony ostrzeżenia pojawiają się z prawej strony ekranu głównego, poniżej wartości pomiarowej. Naciśnij przycisk ENTER , a następnie wybierz urządzenie, aby wyświetlić problem z nim związany. Ikona ostrzeżenia zniknie z ekranu, gdy wszystkie problemy zostały rozwiązane lub uznane.
Błąd	Ikona błędu ma formę wykrzyknika wpisanego w okrąg. Gdy wystąpi błąd, ikona błędu i ekran pomiarowy na wyświetlaczu głównym migają na przemian. Aby wyświetlić błąd, naciśnij przycisk MENU i wybierz opcję Diagnostyka . Następnie wybierz urządzenie, aby wyświetlić problem z nim związany.

Dodatkowe formaty wyświetlania

- Na głównym ekranie pomiarowym wciśnij **strzałkę w górę** lub **w dół**, aby przełączać się pomiędzy parametrami.
- Wciśnij **strzałkę w prawo**, aby podzielić ekran na maksymalnie 4 części, zawierające mierzone parametry. Wciśnij **strzałkę w prawo**, aby uwzględnić dodatkowe pomiary. Wciśnij **strzałkę w lewo**, aby w razie potrzeby wrócić do głównego ekranu pomiarowego.
- Na głównym ekranie pomiarowym wciśnij **strzałkę w lewo**, aby przełączyć się na wykres (aby zdefiniować parametry, przejdź do punktu **Tryb graficzny** na stronie 264). Wciśnij **strzałkę w górę** lub **w dół**, aby przełączać się pomiędzy wykresami dla poszczególnych pomiarów.

Tryb graficzny

Wykres przedstawia pomiary stężenia i temperatury dla każdego używanego kanału. Wykres umożliwi łatwe monitorowanie trendów i pokazuje zmiany w procesie.

1. Na ekranie prezentacji graficznej naciśnij klawisz strzałki w górę lub w dół, aby wybrać wykres i wciśnij klawisz **home**.
2. Wybór opcji:

Opcja	Opis
MEASUREMENT VALUE (WARTOŚĆ POMIARU)	Ustaw wartość pomiaru dla wybranego kanału. Opcje do wyboru to AUTO SCALE (podzielnia automatyczna) i MANUALLY SCALE (podzielnia ręczna). Do ręcznego skalowania wprowadź minimalne i maksymalne wartości pomiarów
DATE & TIME RANGE (zakres daty i czasu)	Wybierz zakres daty i czasu z dostępnych opcji

Uruchamianie systemu

Po pierwszym włączeniu kolejno wyświetlane są ekrany języka, formatu daty oraz daty/godziny. Po skonfigurowaniu tych opcji, kontroler przeprowadzi skanowanie w poszukiwaniu urządzeń i wyświetli komunikat **Scanning for devices. Please wait... (Skanowanie w poszukiwaniu urządzeń. Proszę czekać...)** Jeśli zostanie wykryte nowe urządzenie, kontroler samodzielnie przeprowadzi proces jego instalacji.

Jeśli skanowanie wykryje wcześniej zainstalowane urządzenia bez zmian w konfiguracji, natychmiast po zakończeniu skanowania na pierwszej pozycji zostanie wyświetlony główny ekran pomiarowy.

Jeśli urządzenie zostało odłączone od kontrolera lub nie zostanie wykryte podczas następnego skanowania po ponownym uruchomieniu lub skanowania włączonego z menu, kontroler wyświetli komunikat **Brak urządzenia** i poprosi o usunięcie tego urządzenia.

Jeśli do zainstalowanego modułu analogowego nie jest podłączony żaden czujnik, kontroler wyświetli komunikat o błędzie. Jeśli urządzenia są podłączone, lecz nie są wykrywane przez kontroler, patrz część [Rozwiązywanie problemów](#) na stronie 266.

Pierwsze ustawianie języka, daty i godziny

Urządzenie wyświetli ekrany konfiguracji języka, daty i godziny, gdy zostanie po raz pierwszy włączone, a także po jego uruchomieniu po przywróceniu ustawień domyślnych.

Po pierwszym ustawieniu tych opcji można zmieniać inne opcje zgodnie z potrzebami za pomocą menu Konfiguracja sc200.

1. Na ekranie wyboru języka, należy wybrać język z listy opcji i nacisnąć przycisk **ENTER**. Domyślnie ustawiony jest język angielski. Wybrany język zostanie zapisany. Zostanie wyświetlony ekran wyboru formatu daty.
2. Na ekranie wyboru formatu daty należy wybrać format i nacisnąć przycisk **ENTER**. Format daty i godziny zostanie zapisany. Następnie zostanie wyświetlony ekran konfiguracji daty i godziny.
3. Na ekranie wyboru daty i godziny należy za pomocą strzałki **W LEWO** i **W PRAWO** wybrać pole, a następnie za pomocą strzałek **W GÓRĘ** i **W DÓŁ** zmienić wartość tego pola. Dostosuj wartość pól zgodnie z potrzebą.
4. Naciśnij przycisk **ENTER**. Zmiany zostaną zapisane, a urządzenie wykona skanowanie w poszukiwaniu urządzeń. Jeśli zostaną znalezione podłączone urządzenia, kontroler wyświetli główny ekran pomiarowy tych urządzeń w pierwszej pozycji. Jeśli urządzenie nie wykryje urządzeń, patrz [Rozwiązywanie problemów](#) na stronie 266.

Informacje o konfiguracji kontrolera

W poniższej tabeli podano ogólne informacje o opcjach konfiguracji

1. Aby przejść do opcji menu z Menu ustawienia, należy wybrać opcję Konfiguracja sc200.

Opcja	Opis
Ustawienia zabezpieczeń	Umożliwia konfigurację preferencji hasel..
Konfig. wyjścia	Umożliwia skonfigurowanie analogowych wyjść urządzenia.
Konfiguracja przekaźnika	Umożliwia skonfigurowanie przekaźników urządzenia.
Konfiguracja wyświetlacza	Umożliwia skonfigurowanie wyświetlacza urządzenia
Ustaw datę/czas	Umożliwia ustawienie w urządzeniu daty i godziny.
Konfig. rejestru danych	Umożliwia skonfigurowanie opcji rejestrowania danych. Dostępna tylko wtedy, gdy opcja Obliczenia została skonfigurowana.
Zarządzaj danymi	Wybierz urządzenie z listy zainstalowanych komponentów, aby wyświetlić dane lub dziennik zdarzeń
Błąd trybu wstrzymania	Wstrzymaj wyjścia - Wstrzymuje wyjścia na ostatniej znanej wartości, gdy kontroler utraci połączenie z czujnikami. Prześlij dane wy. - Przełącza w tryb przenoszenia, gdy kontroler utraci połączenie z czujnikiem. Wyjścia są przenoszone do wcześniej określonej wartości.
Obliczenia	Umożliwia skonfigurowanie funkcji matematycznej urządzenia
Informacje o urządzeniu sc200	WERSJA PRG. - Wyświetla aktualną wersję oprogramowania kontrolera WER BOOTLOAD. - Wyświetla aktualną wersję pliku Bootloader. Bootloader to plik, który ładuje główny system operacyjny kontrolera S/N: - Wyświetla numer seryjny urządzenia Wersja: — Wyświetla aktualną wersję sprzętową urządzenia
Konfiguracja dyskretnego wejścia	Umożliwia konfigurację trzech dyskretnych kanałów wejścia
Language (język)	Umożliwia wybór języka używanego w kontrolerze.

2. Wybierz opcję i naciśnij przycisk **ENTER**, aby uruchomić dany element menu.

Konserwacja

▲ UWAGA



Wielokrotne zagrożenia. Tylko wykwalifikowany personel powinien przeprowadzać prace opisane w tym rozdziale niniejszego dokumentu.

Czyszczenie kontrolera

▲ NIEBEZPIECZEŃSTWO



Przed rozpoczęciem czynności konserwacyjnych zawsze należy wyłączać kontroler.

Uwaga: Nie należy używać łatwopalnych ani korozyjnych rozpuszczalników do czyszczenia żadnej części kontrolera. Użycie takich rozpuszczalników może osłabić osłonę jednostki i unieważnić licencję.

1. Upewnij się, że osłona kontrolera jest szczelnie zamknięta.
2. Przetrzyj obudowę kontrolera za pomocą szmatki zamoczonej w wodzie lub w mieszance wody i delikatnego detergentu.

Rozwiązywanie problemów

Problem	Resolution (Rozdzielczość)
Brak prądu wyjściowego	Sprawdź aktualną konfigurację prądu wyjściowego.
	Sprawdź aktualną siłę sygnału prądu wyjściowego za pomocą podmenu Test/Konserwacja. Podaj wartość dla prądu i sprawdź sygnał wyjściowy na złączach kontrolera.
	Należy skontaktować się z działem pomocy technicznej.
Podaj wartość prądu wyjściowego	Sprawdź aktualną konfigurację prądu wyjściowego.
	Sprawdź aktualną siłę sygnału prądu wyjściowego za pomocą podmenu Test/Konserwacja. Podaj wartość dla prądu i sprawdź sygnał wyjściowy na złączach kontrolera. Jeśli sygnał wyjściowy jest niepoprawny, należy go skalibrować.
Brak aktywacji przełącznika	Należy upewnić się, czy wszystkie złącza przełącznika są dobrze podłączone.
	Jeśli wykorzystywane jest zewnętrzne źródło zasilania, należy sprawdzić przewody przełącznika.
	Upewnij się, że konfiguracja przełącznika jest prawidłowa.
	Przeprowadź test aktywacji przełącznika za pomocą menu Test/Konserwacja. Przełącznik powinien zasilac energią i ją odcinać zgodnie z wybranymi ustawieniami.
	Upewnij się, że kontrolera nie znajduje się w trybie kalibracji oraz że przełącznik nie jest blokowany.
	Zresetuj licznik przekroczenia, aby mieć pewność, że jego czas nie został przekroczony.
Karta SD nie rozpoznana przez kontroler	Upewnij się, że karta SD jest prawidłowo ułożona. Miedziana część powinna być zwrócona w stronę wyświetlacza kontrolera.
	Upewnij się, że karta SD została do końca wsunięta do gniazda i została prawidłowo zablokowana.
	Upewnij się, że karta SD została odpowiednio sformatowana w formacie Fat 32. Format MMC nie jest obsługiwany. Aby sformatować kartę na komputerze, postępuj zgodnie z instrukcjami producenta karty.
	Upewnij się, że pojemność karty SD nie przekracza 32 GB.
	Upewnij się, że użyta została karta SD. Inne typy kart (np. xSD, micro SD, mini SD) nie będą działały prawidłowo.
Informacje nie są zapisywane na karcie SD lub są zapisywane nieprawidłowo.	Upewnij się, że karta SD została odpowiednio sformatowana w formacie Fat 32. Format MMC nie jest obsługiwany. Aby sformatować kartę na komputerze, postępuj zgodnie z instrukcjami producenta karty.
	Jeśli karta SD była wcześniej używana, należy ją sformatować w formacie Fat 32, włożyć do kontrolera i spróbować pobrać pliki.
	Spróbuj użyć innej karty SD.
Karta SD pełna	Odczytaj kartę SD za pomocą komputera lub innego czytanika kart. Zapisz ważne pliki, a następnie usuń niektóre lub wszystkie pliki z karty SD.

Problem	Resolution (Rozdzielczość)
Kontroler nie może znaleźć aktualizacji oprogramowania na karcie SD.	Upewnij się, że po włożeniu kart SD do kontrolera utworzony został odpowiedni folder. Automatycznie zostanie utworzony folder dla aktualizacji.
	Podłącz kartę SD do komputera i upewnij się, że pliki oprogramowania znajdują się w odpowiednim folderze dla aktualizacji.
	Jeśli jedna karta była używana w różnych kontrolerach, każdy z użytych kontrolerów będzie miał osobny folder. Upewnij się, że aktualizacje znajdują się w folderze przeznaczonym dla aktualnie używanego kontrolera.
Wyświetlacz jest podświetlony, lecz nie widać znaków lub są one rozmazane.	Ustawianie kontrastu wyświetlacza
	Upewnij się, że z wyświetlacza zdjęta została folia ochronna.
	Przeczyść zewnętrzną część kontrolera, w tym ekran wyświetlacza.
Kontroler nie włącza się lub włącza się na krótki czas	Upewnij się, że połączenia zasilania AC zostały odpowiednio zakończone w kontrolerze.
	Upewnij się, że rozgałęźnik, przewód zasilający i wtyczka są odpowiednio podłączone.
	Należy skontaktować się z działem pomocy technicznej
Nierozpoznana sieć lub moduł czujnika	Upewnij się, że moduł jest prawidłowo zainstalowany.
	Upewnij się, że przełącznik modułu jest ustawiony na odpowiedni numer.
	Odłącz moduł i podłącz do drugiego gniazda analogowego. Podłącz zasilanie do kontrolera i zaczekaj aż wykona skanowanie w poszukiwaniu urządzeń.
	Należy skontaktować się z działem pomocy technicznej.
Czujnik nie został rozpoznany Uwaga: Przykładowy komunikat ekranowy: ****	Jeśli czujnik jest analogowy, a w urządzeniu sterującym zainstalowany jest odpowiadający mu moduł, należy skorzystać z instrukcji dołączonych do modułu sieciowego lub modułu czujnika.
	Upewnij się, że uchwyt przewodów złącza cyfrowego opiera się o wewnętrzną stronę drzwiczek, a uchwyt przewodów nie jest uszkodzony.
	Jeśli czujnik bezprzewodowy jest podłączony do kontrolera z cyfrową skrzynką końcową, dołączoną przez użytkownika puszką rozdzielczą, przedłużaczami do urządzeń cyfrowych lub przedłużaczem dołączonym przez użytkownika, należy czujnik podłączyć bezpośrednio do kontrolera i wykonać skanowanie w poszukiwaniu urządzeń. Jeśli kontroler rozpoznaje czujnik, należy sprawdzić, czy poprawne są wszelkie połączenia w puszkach połączeniowych i przedłużaczach.
	Należy pamiętać o tym, żeby nie instalować więcej niż dwóch czujników. Pomimo tego, że dostępne są dwa porty analogowe, jeśli podłączone zostaną dwa czujniki analogowe i jeden cyfrowy, tylko dwa z trzech urządzeń będą widoczne dla kontrolera.
	Należy skontaktować się z działem pomocy technicznej
Wyświetlany jest komunikat o błędzie „Brak urządzenia”	Włącz skanowanie w poszukiwaniu urządzeń w menu Test/Konserwacja.
	Włącz i wyłącz kontroler

Innehållsförteckning

[Specifikationer](#) på sidan 268

[Allmän information](#) på sidan 269

[Installation](#) på sidan 272

[Användargränssnitt och navigering](#) på sidan 287

[Systemstart](#) på sidan 290

[Underhåll](#) på sidan 291

[Felsökning](#) på sidan 292

Mer information

Mer information finns på tillverkarens webbplats.

Specifikationer

Specifikationerna kan ändras utan föregående meddelande.

Specifikation	Tekniska data
Komponentbeskrivning	Mikroprocessorkontrollerad och menydriven styrenhet som driver givaren och visar uppmätta värden.
Drifttemperatur	-20 to 60 °C (-4 to 140 °F); 95 % relativ fuktighet, icke kondenserande med givarlast <7 W; -20 to 50 °C (-4 to 104 °F) med givarlast <28 W
Förvaringstemperatur	-20 till 70 °C; 95 % relativ fuktighet, icke kondenserande
Kapsling ¹	NEMA 4X/IP66 metallkapsling med korrosionsskyddad yta
Effektbehov	AC-strömförsörd styrenhet: 100-240 VAC ±10 %, 50/60 Hz. Effekt 50 VA med 7 W givar-/nätverksmodullast, 100 VA med 28 W givar-/nätverksmodullast (som tillval Modbus RS232-/RS485-, Profibus DPV1- eller HART-nätverksanslutning). 24 VDC-strömförsörd styrenhet: 24 VDC – 15 %, + 20 %. Effekt 15 W med 7 W givar-/nätverksmodullast, 40 W med 28 W givar-/nätverksmodullast (som tillval Modbus RS232-/RS485-, Profibus DPV1- eller HART-nätverksanslutning).
Höjdkrav	Standard 2 000 m. ö. h. (höjd över havet)
Föreningegrad/Installationskategori	Föreningegrad 2; Installationskategori II
Utgångar	Två analoga utgångar (0-20 mA eller 4-20 mA). Varje analog utgång kan tilldelas att representera en mätt parameter såsom pH, temperatur, flöde eller beräknade värden. Tillvalsmodulen ger tre extra analoga utgångar (totalt fem).
Reläer	De fyra användarkonfigurerade SPDT-kontakterna är märkta 250 VAC, resistiv max. 5 amp för den AC-strömförsörjda styrenheten och 24 VDC, resistiv max. 5 amp för den DC-strömförsörjda styrenheten. Reläer är utformade för anslutning till AC-nät (dvs. närhelst styrenheten strömförsörjs med 115 - 240 VAC) eller till DC-nät (dvs. närhelst styrenheten strömförsörjs med 24 VDC).
Mått	½ DIN—144 x 144 x 180,9 mm (5,7 x 5,7 x 7,12 tum)
Vikt	1,7 kg (3,75 lb)
Information om överensstämmelser ²	CE-godkänd (med alla givartyper). Godkänd för bruk på allmän plats enligt UL- och CSA-säkerhetsstandarder genom ETL (med alla givartyper). Vissa modeller för AC-strömförsörjning är registrerade för användning på allmänna säkerhetsplatser enligt UL- och CSA-säkerhetsstandarder av Underwriters Laboratories (med alla givartyper).

Specifikation	Tekniska data
Digital kommunikation	Som tillval Modbus RS232-/RS485-, Profibus DPV1- eller HART-nätverksanslutning för dataöverföring
Dataloggning	SD-kort (Secure Digital) (högst 32 GB) eller speciell RS232-kabelanslutning för dataloggning och programvaruuppdateringar. Styrenheten kan lagra cirka 20 000 datapunkter per sensor.
Garanti	2 år

¹ Enheter som är certifierade av Underwriters Laboratories (UL) är endast avsedda för inomhusbruk och är inte klassificerade enligt NEMA 4X/IP66.

² DC-strömförsörjda enheter registreras inte av UL.

Allmän information

Tillverkaren är under inga omständigheter ansvarig för direkta, särskilda, indirekta eller följdskador som orsakats av eventuellt fel eller utelämnande i denna bruksanvisning. Tillverkaren förbehåller sig rätten att göra ändringar i denna bruksanvisning och i produkterna som beskrivs i den när som helst och utan föregående meddelande och utan skyldigheter. Reviderade upplagor finns på tillverkarens webbsida.

Säkerhetsinformation

ANMÄRKNING:

Tillverkaren tar inget ansvar för skador till följd av att produkten används på fel sätt eller missbrukas. Det omfattar utan begränsning direkta skador, tillfälliga skador eller följdskador. Tillverkaren avsäger sig allt ansvar i den omfattning gällande lag tillåter. Användaren är ensam ansvarig för att identifiera kritiska användningsrisker och installera lämpliga mekanismer som skyddar processer vid eventuella utrustningsfel.

Läs igenom hela handboken innan instrumentet packas upp, monteras eller startas. Följ alla faro- och försiktighetshänvisningar. Om dessa anvisningar inte följs kan användaren utsättas för fara eller utrustningen skadas.

Kontrollera att skyddet som ges av den här utrustningen inte är skadat. Utrustningen får inte användas eller installeras på något annat sätt än så som specificeras i den här handboken.

Anmärkning till information om risker

▲ FARA

Indikerar en potentiellt eller överhängande riskfylld situation som kommer att leda till livsfarliga eller allvarliga skador om den inte undviks.

▲ VARNING

Indikerar en potentiellt eller överhängande riskfylld situation som kan leda till livsfarliga eller allvarliga skador om situationen inte undviks.

▲ FÖRSIKTIGHET





Anger en potentiell risksituation som kan resultera i lindrig eller måttlig skada.

ANMÄRKNING:

Indikerar en potentiellt riskfylld situation som kan medföra att instrumentet skadas. Information som användaren måste ta hänsyn till vid hantering av instrumentet.

Varnings skyltar

Beakta samtliga dekaler och märken på instrumentet. Personskador eller skador på instrumentet kan uppstå om dessa ej beaktas. En symbol på instrumentet beskrivs med en försiktighetsvarning i handboken.

	Denna symbol, om den finns på instrumentet, refererar till bruksanvisningen angående drifts- och/eller säkerhetsinformation.
	Denna symbol indikerar risk för elektrisk stöt och/eller elchock.
	Denna symbol indikerar utrustning som är känslig för elektrostatisk urladdning (ESD). Särskilda åtgärder måste vidtas för att förhindra att utrustningen skadas.
	Efter den 12 augusti 2005 får elektrisk utrustning som har den här symbolen inte längre avyttras på offentliga avfallsanläggningar i Europa. I överensstämmelse med europeiska lokala och nationella föreskrifter (EU-direktiv 2002/96/EC), måste europeiska användare av elektrisk utrustning nu returnera gammal eller förbrukad utrustning till tillverkaren för kostnadsfri avyttring.

Certifiering

Canadian Radio Interference-causing Equipment Regulation, IECS-003, Klass A:

Stödjande testresultat finns hos tillverkaren.

Den digitala apparaten motsvarar klass A och uppfyller alla krav enligt kanadensiska föreskrifter för utrustning som orsakar störning.

Cet appareil numérique de classe A répond à toutes les exigences de la réglementation canadienne sur les équipements provoquant des interférences.

FCC del 15, klass "A" gränser

Stödjande testresultat finns hos tillverkaren. Denna utrustning uppfyller FCC-reglerna, del 15. Användning sker under förutsättning att följande villkor uppfylls:

1. Utrustningen bör inte orsaka skadlig störning.
2. Utrustningen måste tåla all störning den utsätts för, inklusive störning som kan orsaka driftsstörning.

Ändringar eller modifieringar av utrustningen, som inte uttryckligen har godkänts av den part som ansvarar för överensstämmelsen, kan ogiltigförklara användarens rätt att använda utrustningen. Den här utrustningen har testats och faller inom gränserna för en digital enhet av klass A i enlighet med FCC-reglerna, del 15. Dessa gränser har tagits fram för att ge rimligt skydd mot skadlig störning när utrustningen används i en kommersiell omgivning. Utrustningen genererar, använder och kan utstråla radiofrekvensenergi och kan, om den inte installeras och används enligt handboken, leda till skadlig störning på radiokommunikation. Användning av utrustningen i bostadsmiljö kan orsaka skadlig störning. Användaren ansvarar då för att på egen bekostnad korrigera störningen. Följande tekniker kan användas för att minska problemen med störningar:

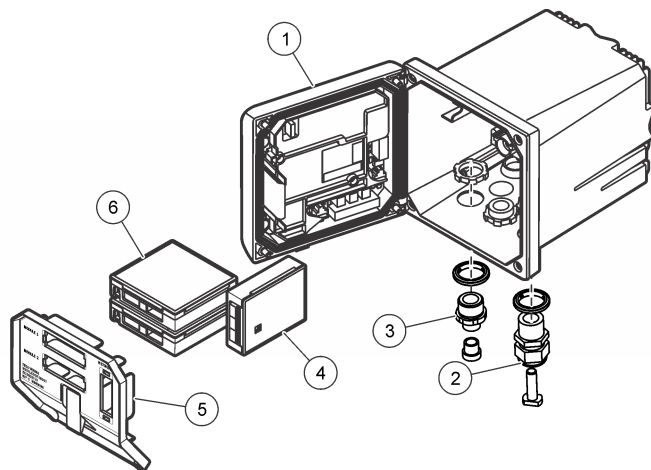
1. Koppla ifrån utrustningen från strömkällan för att kontrollera om detta utgör orsaken till störningen eller inte.
2. Om utrustningen är kopplad till samma uttag som enheten som störs ska den kopplas till ett annat uttag.
3. Flytta utrustningen bort från den utrustning som tar emot störningen.
4. Positionera om mottagningsantennen för den utrustning som tar emot störningen.
5. Prova med kombinationer av ovanstående.

Produktöversikt

Styrenheten visar givarvärden och andra data. Den kan överföra analoga och digitala signaler och kan interagera med och styra andra enheter genom utgångar och reläer. Utgångar, reläer, givare och givarmoduler är konfigurerade och kalibrerade genom användargränssnittet på styrenhetens framsida.

Figur 1 visar produktkomponenterna. Komponenter kan variera beroende på styrenhetskfiguration. Kontakta tillverkaren om delar är skadade eller saknas.

Figur 1 Systemets delar



1 Styrenhet	4 Nätverksmodul (tillval)
2 Dragavlastare (tillval beroende på styrenhetskversion)	5 Högspänningsspärr
3 Digital anslutningsmontering (tillval beroende på styrenhetskversion)	6 Givarmoduler (tillval)

Givare och givarmoduler

Styrenheten hanterar upp till maximalt två givarmoduler och två digitala givare (beroende på styrenhetskfiguration), tillsammans med en kommunikationsmodul. En ensam digital givare och en ensam givarmodul kan installeras i kombination. Flera olika givare kan anslutas till givarmodulerna. Information om givarkablar finns i handböckerna till de specifika givarna och i användarinstruktionerna för specifika moduler.

Reläer, utgångar och signaler

Styrenheten har fyra konfigurerbara reläkontakter och två analoga utgångar. En extra analog utgångsmodul kan öka antalet analoga utgångar till fem.

Enhetsavsökningar

Med två undantag söker styrenheten automatiskt efter anslutna enheter utan inmatning från användaren när den startas upp. Det första undantaget är när styrenheten startas upp första gången före första användning. Det andra undantaget är efter att styrenhetens konfigurationsinställningar har ställts in på standardvärdena och styrenheten startas upp. I båda fallen visar styrenheten först språk-, datum- och tidsredigeringskärmarna. När posterna för språk, datum och tidpunkt har godkänts utförs en enhetsinläsning av styrenheten. På [Anslut en digital sc-givare](#) på sidan 286 finns anvisningar om hur du gör en sökning efter enheter när styrenheten redan är påslagen.

Styrenhetens kapsling

Styrenhetens kapsling är NEMA 4X/IP66-klassificerad och har en korrosionsskyddad yta utformad för att motstå korrosiva beståndsdelar i miljön såsom saltstänk och vätesulfid. Skydd mot omgivningsskada rekommenderas starkt för utomhusbruk.

Observera: Enheter som är certifierade av Underwriters Laboratories (UL) är endast avsedda för inomhusbruk och är inte klassificerade enligt NEMA 4X/IP66.

Styrenhet monteringsalternativ

Styrenheten kan monteras på en panel, på en vägg eller på ett vertikalt eller horisontellt rör. En tätningsspackning i neopren är inkluderad och kan användas för att reducera vibrationer. Packningen kan användas som mall för panelmontering innan den inre packningen tagits bort.

Installation

Monteringskomponenter och dimensioner

▲ FÖRSIKTIGHET

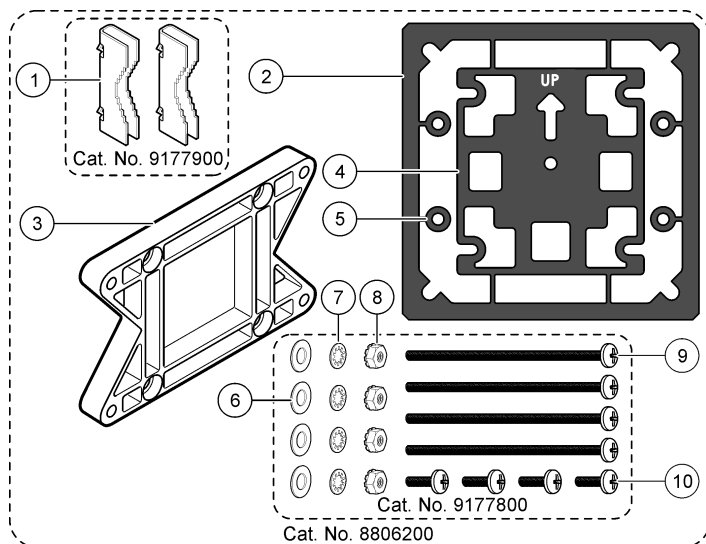
Risk för personskada. Endast behörig personal får utföra de åtgärder som beskrivs i detta avsnitt.

-styrenheten kan monteras på en yta, panel eller ett rör (horisontellt respektive vertikalt). Information om monteringsalternativ och instruktioner finns i [Figur 2](#)[Figur 3](#) på sidan 274[Figur 4](#) på sidan 275[Figur 5](#) på sidan 276och[Figur 6](#) på sidan 277

Vid montering på horisontellt rör måste monteringsfoten ([Figur 2](#)) fästas på monteringsfästet i vertikalt läge.

Vid montering på såväl horisontellt som vertikalt rör fäster du monteringsfästet på styrenheten på det sätt som visas i [Figur 5](#) på sidan 276.

Figur 2 Monteringskomponenter

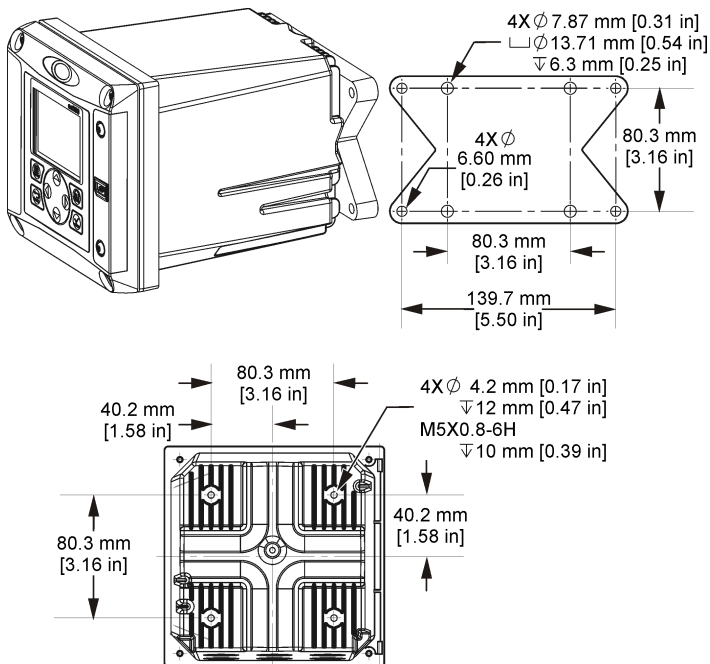


1 Monteringsfot (2x)	6 Planbricka, ¼-tum ID (4x)
2 Tätningsspackning för panelmontering, neopren	7 Låsbricka, ¼tum ID (4x)
3 Fäste för vägg och rörmontering	8 M5 x 0,8 sexkantsmutter med krage (4x)
4 Vibrationsisoleringspackning för rörmontering	9 Skruvar med platt huvud, M5 x 0,8 x 100-mm (4x) (Används vid montering på rör med olika dimensioner)
5 Vibrationsisoleringsbricka för rörmontering (4x)	10 Skruvar med platt huvud, M5 x 0,8 x 15 mm (4x)

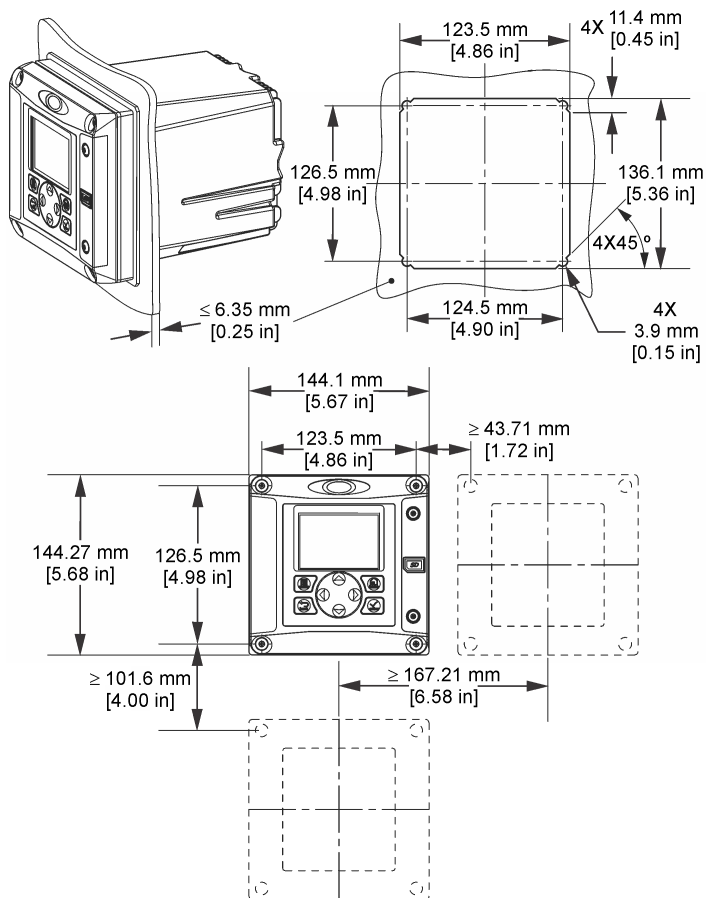
Observera: En hållare för montering på en panel finns som ett valfritt tillbehör.

Styrenhetsmontering

Figur 3 Mått för ytmontering

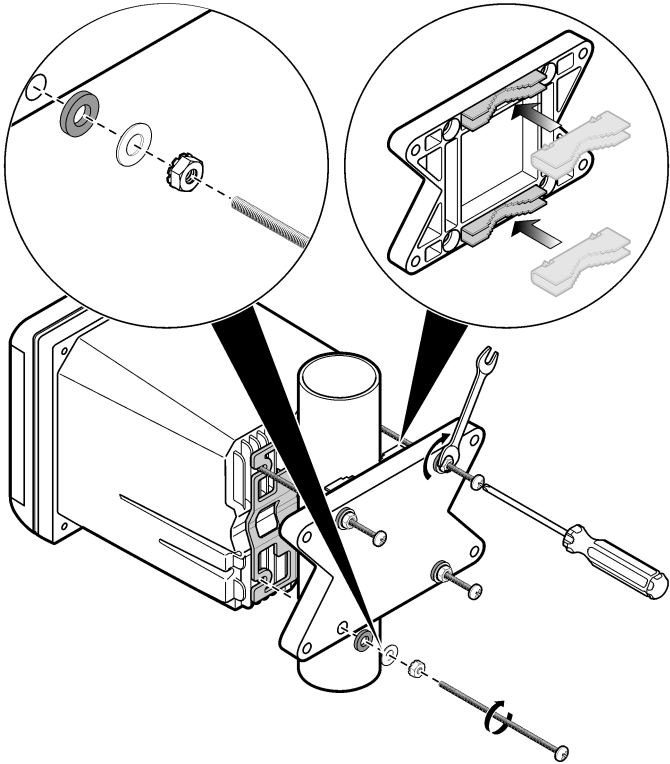


Figur 4 Mått för panelmontering

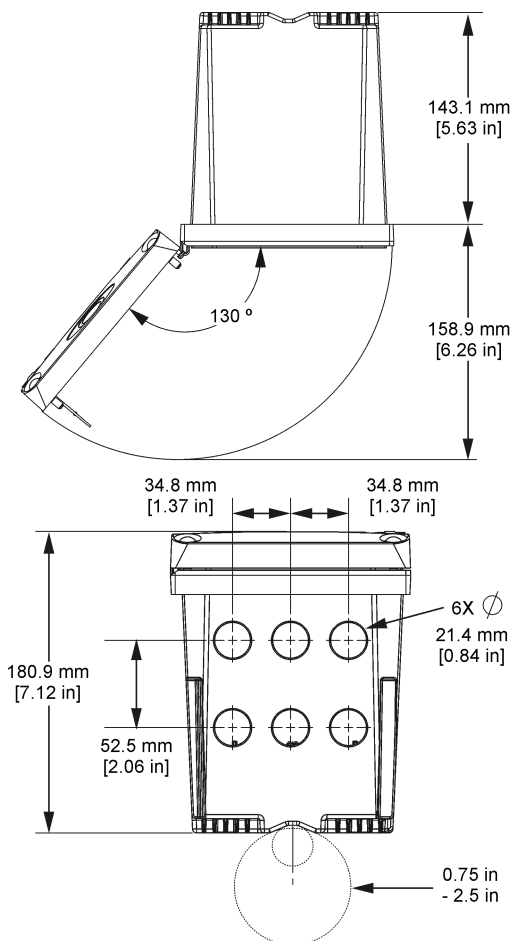


Observera: Om du använder en hållare (valfri) för montering på en panel ska styrenheten tryckas genom hålet i panelen och sedan ska hållaren skjutas över styrenheten på panelens baksida. Använd de fyra 15 mm flathuvudskruvarna (medföljer) för att fästa hållaren till styrenheten och säkra styrenheten till panelen.

Figur 5 Rörmontering (vertikalt rör)



Figur 6 Vy ovanifrån och underifrån



Högspänningspärr

Styrenhetens högspänningskablage finns bakom högspänningspärren i styrenhetens kapsling. Spärren måste alltid vara på plats förutom när moduler installeras eller när en kvalificerad installationstekniker kopplar in ström, larm, utgångar eller reläer. Ta inte bort spärren när styrenheten är strömförande.

Elektrostatisk urladdning (ESD), överväganden

ANMÄRKNING:



Möjlig skada på instrumentet. Ömtåliga interna elektroniska komponenter kan skadas av statisk elektricitet, vilket kan leda till försämrad funktion hos instrumentet eller till att det inte fungerar.

Följ stegen i den här proceduren för att förhindra att instrumentet skadas av elektrostatisk urladdning:

- Vidrör en jordad metallyta som ytterhöljet på ett instrument, en metalledning eller ett metallrör för att ladda ur statisk elektricitet från enheten.

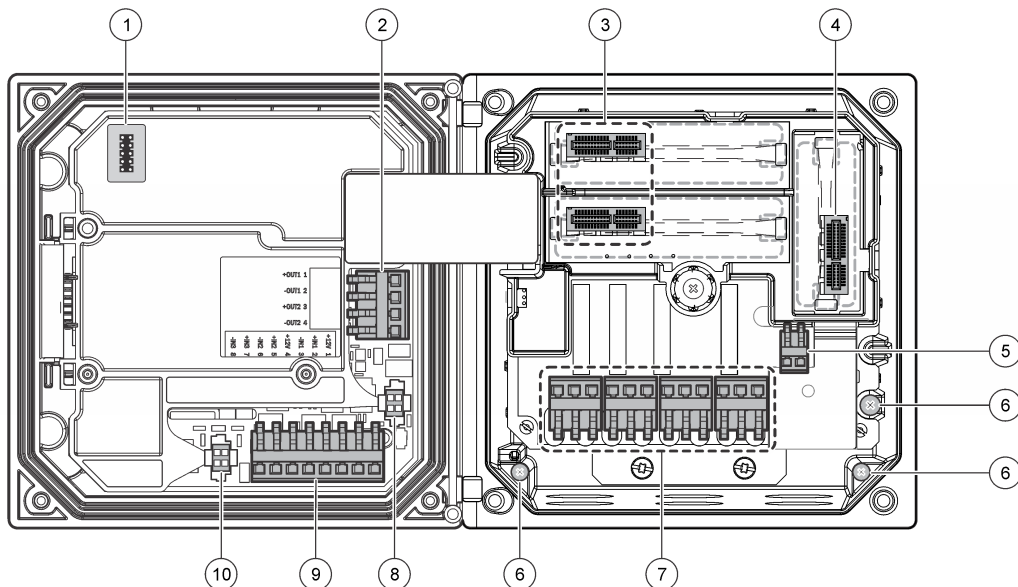
- Undvik onödiga rörelser. Transportera komponenter känsliga för statisk elektricitet i antistatiska behållare eller förpackningar.
- Bär en handledsrem som är ansluten till jord med en sladd.
- Arbeta på en statiskt säker plats med antistatiska mattor på golv och arbetsbänkar.

Kabeldragningsöversikt

Figur 7 visar en översikt över kabelanslutningarna inuti styrenheten med högspänningsspärren borttagen. Bildens vänstra sida visar styrenhetskåpens baksida.

Observera: Ta bort locken från anslutningarna innan du installerar en modul

Figur 7 Översikt över kabelanslutningar



1 Strömkabelanslutning	5 AC- och DC-strömsanslutning ¹	9 Kabelkontakt för diskret ingång ¹
2 4-20 mA-utgång ¹	6 Jordterminaler	10 Digital givaranslutning ¹
3 Givaranslutning	7 Reläanslutningar ¹	
4 Kommunikationsmodulanslutning (till exempel Modbus, Profibus, HART, 4-20 mA tillvsmodul.)	8 Digital givaranslutning ¹	

¹ Terminaler kan tas bort för förbättrad åtkomst.

Spänningsanslutning

⚠ VARNING



Potentiell risk för dödande elchock. Koppla alltid bort matningsspänningen till instrumentet då elektriska kopplingar ska göras.

⚠ VARNING



Potentiell risk för dödande elchock. Om denna utrustning används utomhus eller i potentiellt fuktiga miljöer måste ett **jordfelskydd** användas vid anslutning av utrustningen till nätström.

⚠ FARA



Risk för dödande elchock. Anslut inte en 24 V-likströmsmodell till växelström.

⚠ VARNING



Potentiell risk för dödande elchock. Skyddsjord (PE) krävs både för 100-240 V AC och 24 V DC ledaranslutningar. Om ingen bra skyddsjord anslutits kan detta leda till risk för stötar och dålig funktion på grund av elektromagnetiska störningar. Anslut ALLTID en bra skyddsjord till styrenhetens uttag.

ANMÄRKNING:

Installera utrustningen på en plats och ett ställe där det är enkelt att komma åt att koppla från utrustningen och att använda den.

Styrenheten kan köpas som antingen en 100-240 VAC-strömförsörd modell eller som en 24 VDC-strömförsörd modell. Följ gällande kabeldragningsinstruktioner för den modell du har köpt.

Styrenheten kan kopplas för nätström genom fast anslutning i ledaren eller anslutning till en strömkabel. Oavsett vilken kabel som används görs anslutningarna på samma terminaler. Lokal bortkoppling enligt lokala föreskrifter krävs och måste vara identifierad för alla typer av installationer. I fast anslutna tillämpningar måste ström och säkerhetsjordanslutningarna till instrumentet vara 18 till 12 AWG.

ANMÄRKNINGAR:

- Spänningsspärren måste avlägsnas innan några elektriska anslutningar utförs. När du har gjort alla anslutningar sätter du tillbaka spänningsspärren innan du stänger styrenhetens kåpa.
- En tätad dragavlastning och en strömkabel kortare än 3 meters längd med tre 18 AWG ledare (inklusive en säkerhetsjordkabel) kan användas för att upprätthålla miljöklassning enligt NEMA 4X/IP66.
- Styrenheter kan beställas med förinstallerad AC-nätkabel. Ytterligare nätkablar kan också beställas.
- DC-strömkällan som strömförsörjer 24 VDC-styrenheten måste upprätthålla spänningsreglering inom de specificerade 24 VDC - 5 % +20 % spänningsgränserna DC-strömkällan måste även ha tillräckligt skydd mot spänningsstötar och nättransienter.

Kabeldragningsmetod

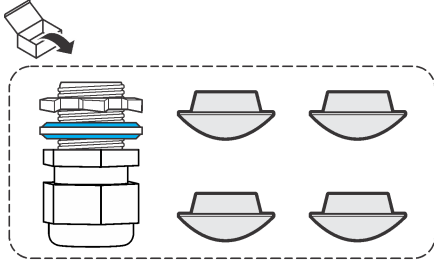
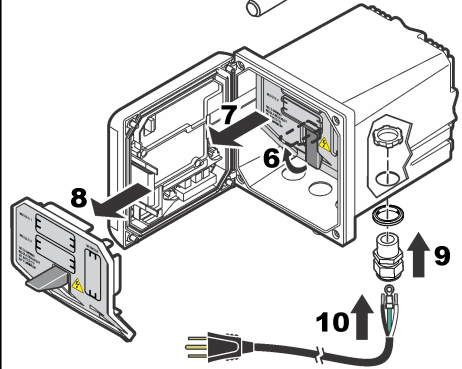
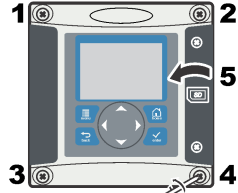
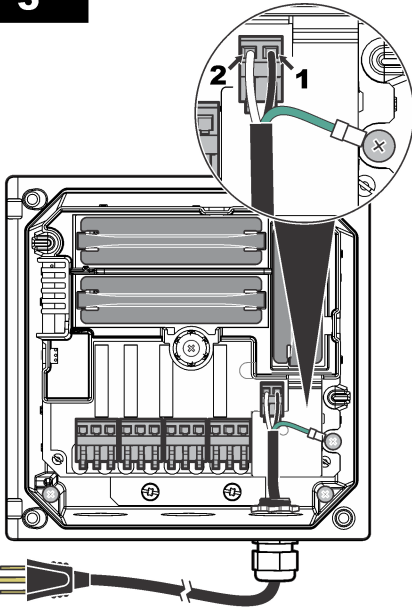
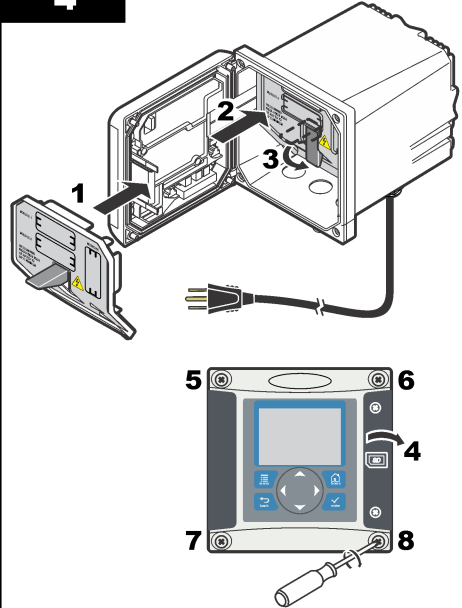
Ta hjälp av bildanvisningarna nedan och [Tabell 1](#) eller [Tabell 2](#) för att strömansluta styrenheten. Stick in varje kabel i rätt terminal till dess isoleringen ligger an mot terminalen så att ingen blottad tråd syns. Dra försiktigt i kablarna efter anslutning för att kontrollera att de sitter ordentligt. Täta alla icke använda öppningar på styrenheten med tätningspluggar.

Tabell 1 AC-kabeldragningsinformation (endast AC-strömförsörjda modeller)

Plint	Beskrivning	Färg – Nordamerika	Färg – EU
1	Fas (L1)	Svart	Brun
2	Nolla (N)	Vit	Blå
–	Skyddsjordsanslutning	Grön	Grön med gul rand

Tabell 2 DC-kabeldragningsinformation (endast DC-strömförsörjda modeller)

Plint	Beskrivning	Färg – Nordamerika	Färg – EU
1	+24 VDC	Röd	Röd
2	24 VDC-retur	Svart	Svart
—	Skyddsjordsanslutning	Grön	Grön med gul rand

1**2****3****4**

Larm och reläer

Styrenheten är utrustad med fyra strömlösa enkelpolsreläer märkta 100-250 VAC, 50/60 Hz, resistiv max. 5 amp. Kontakterna är märkta 250 VAC, resistiv max. 5 amp för den AC-strömförsörjda

styrenheten och 24 VDC, resistiv max. 5 amp för den DC-strömförsörjda styrenheten. Reläerna är inte märkta för induktiva laster.

Koppla reläer

▲ VARNING



Potentiell risk för dödande elchock. Koppla alltid bort matningsspänningen till instrumentet då elektriska kopplingar ska göras.

▲ VARNING



Potentiell brandrisk. Reläkontakterna är märkta 5A och är inte avsäkrade. Externa laster anslutna till reläerna måste ha strömbegränsande enheter tillgängliga för att begränsa strömstyrkan till < 5 A.

▲ VARNING



Potentiell brandrisk. Kedjekoppla inte de vanliga reläanslutningarna och byglar inte från nätströmsanslutningen på instrumentets insida.

▲ VARNING



Potentiell risk för dödande elchock. För att bibehålla kapslingens miljöklassning enligt NEMA/IP ska du endast använda genomföringar och kabeltätningar som uppfyller minst NEMA 4X/IP66 för att dra kablar in i instrumentet.

AC-nätströmförsörjda (100-250 V) styrenheter

Kabelutrymmet är inte anpassat för spänningsanslutningar som överstiger 250 VAC.

24 VDC-strömförsörjda styrenheter

▲ VARNING



Potentiell risk för dödande elchock. AC-strömförsörjda -styrenheter (115 V–230 V) är designade för reläanslutning till AC-strömkretsar (dvs. spänningar högre än 16 V-RMS, 22,6 V-TOPP eller 35 V DC).

▲ VARNING



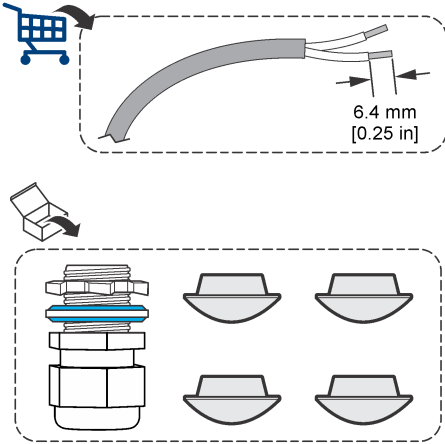
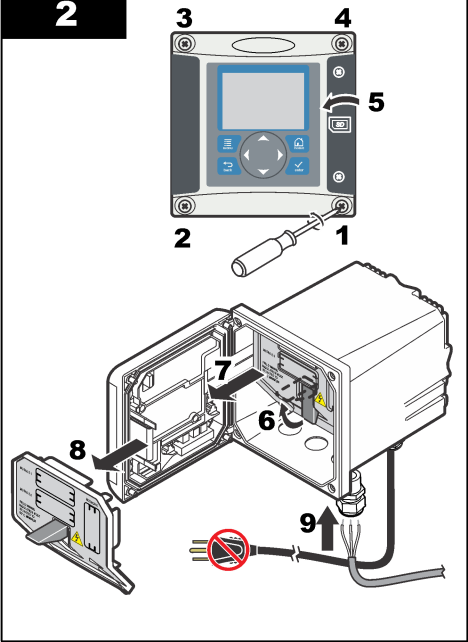
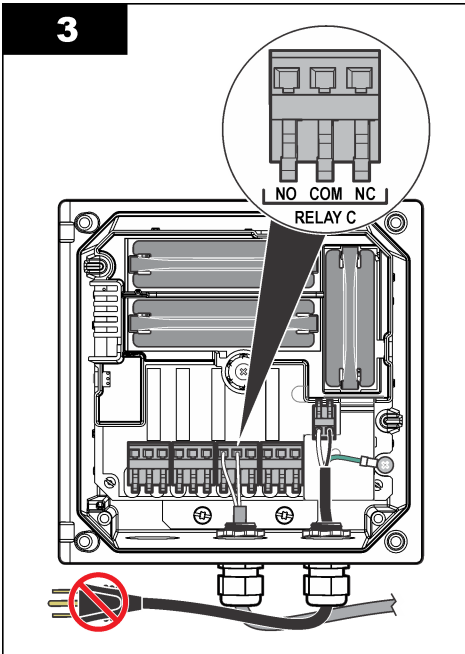
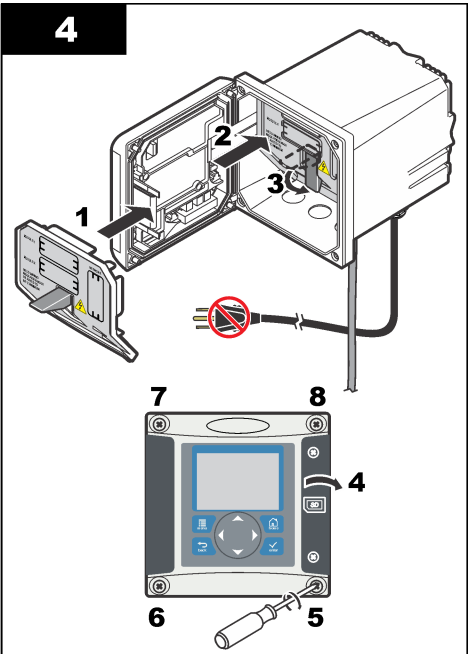
Potentiell risk för dödande elchock. 24 V-strömförsörjda -styrenheter är designade för reläanslutning till lågspänningskretsar (dvs. spänningar lägre än 16 V-RMS, 22,6 V-TOPP eller 35 V DC).

Styrenheten för 24 VDC är anpassad för anslutning till lågspänningskretsar (dvs. spänningar lägre än 30 V-RMS, 42,2 V-TOPP eller 60 VDC). Kabelutrymmet är inte anpassat för spänningsanslutningar som överstiger dessa nivåer.

Reläkontakten kan använda 18–12 AWG kabel (beroende på belastningsapplikation). Tråddimension på mindre än 18 AWG rekommenderas ej.

De normalt öppna (NO) och allmänna (COM) reläkontakterna kommer att anslutas när ett larm eller annat tillstånd är aktivt. De normalt slutna (NC) och allmänna (COM) reläkontakterna kommer att anslutas när ett larm eller annat tillstånd är inaktivt (såvida inte Felsäkert är ställt på Ja) eller när strömmen kopplas bort från styrenheten.

De flesta reläanslutningarna använder antingen NO- och COM- eller NC- och COM-terminalerna. De numrerade installationsstegen visar anslutning till NO- och COM-terminalerna,

1**2****3****4**

Analoga utgångsanslutningar

▲ VARNING



Potentiell risk för dödande elchock. Koppla alltid bort matningsspänningen till instrumentet då elektriska kopplingar ska göras.

▲ VARNING



Potentiell risk för dödande elchock. För att bibehålla kapslingens miljöklassning enligt NEMA/IP ska du endast använda genomföringar och kabeltätningar som uppfyller minst NEMA 4X/IP66 för att dra kablar in i instrumentet.

Det finns två isolerade analoga utgångar (1 och 2) (Figur 8). Sådana utgångar används vanligtvis för signalering eller för att styra andra externa enheter.

Gör kabelanslutningar till styrenheten så som visas i Figur 8 och Tabell 3.

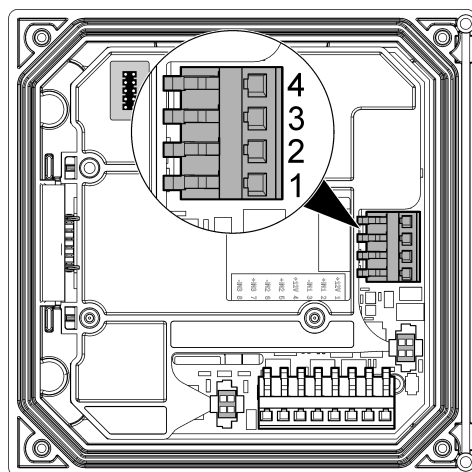
Observera: Figur 8 visar baksidan av styrenhetens kåpa och inte insidan av huvudstyrenhetsutrymmet.

Tabell 3 Utgångsanslutningar

Inspelningskablar	Kretskortsplacering
Utgång 2-	4
Utgång 2+	3
Utgång 1-	2
Utgång 1+	1

1. Öppna styrenhetens lock.
2. Dra kablarna genom dragavlastningen.
3. Justera kablarna och dra fast dragavlastningen.
4. Gör anslutningar med partvinnad, skärmd kabel och anslut skärmen till den styrda komponenten eller vid änden av styrkretsen.
 - Anslut inte skyddet i båda kabeländarna.
 - Användning av en oskärmd kabel kan leda till radiofrekvensemission eller högre susceptibilitetsnivåer än vad som är tillåtet.
 - Maximalt slingresistans är 500 ohm.
5. Stäng styrenhetskåpan och dra fast kåpans skruvar.
6. Konfigurera utgångar i styrenheten.

Figur 8 Analoga utgångsanslutningar



Kabelanslutningar för diskreta ingångar

⚠ VARNING



Potentiell risk för dödande elchock. Koppla alltid bort matningsspänningen till instrumentet då elektriska kopplingar ska göras.

⚠ VARNING

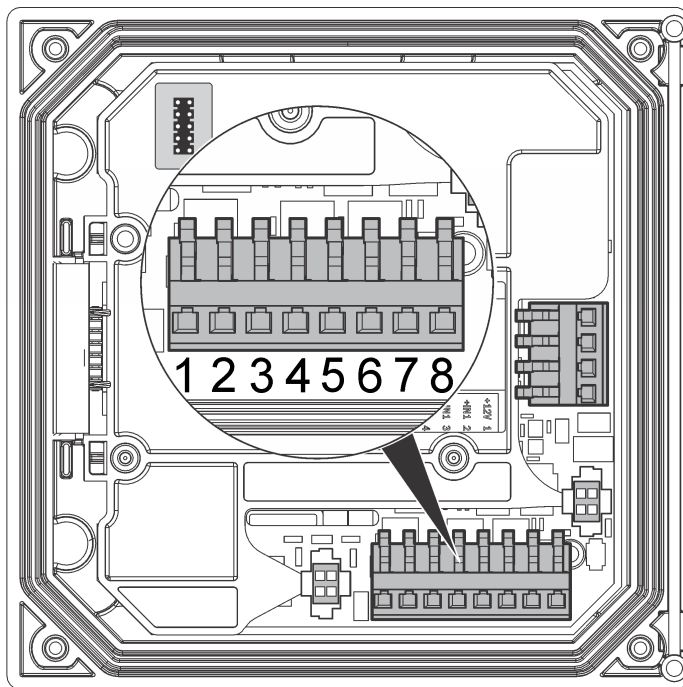


Potentiell risk för dödande elchock. För att bibehålla kapslingens miljöklassning enligt NEMA/IP ska du endast använda genomföringar och kabeltätningar som uppfyller minst NEMA 4X/IP66 för att dra kablar in i instrumentet.

Tre diskreta ingångar finns för reläingångar eller spänningsingångar på logisk nivå. Gör kabelanslutningar och konfigurera anslutningsinställningarna till styrenheten enligt [Figur 9](#), [Tabell 4](#) och [Figur 10](#).

Observera: [Figur 9](#) visar baksidan av styrenhetens kåpa och inte insidan av huvudstyrenhetsutrymmet.

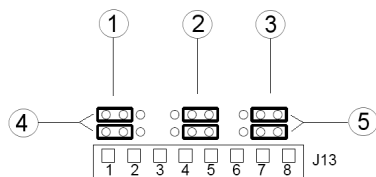
Figur 9 Kabelanslutningar för diskreta ingångar



Tabell 4 Ingångsanslutningar

Diskreta ingångar	Kontaktens position – Strömingång	Kontaktens position – Spänningsingång
Ingång 1+	3	2
Ingång 1-	2	3
Ingång 2+	6	5
Ingång 2-	5	6
Ingång 3+	8	7
Ingång 3-	7	8

Figur 10 Anslutningsinställningar



1 Ingång 1 konfigurationsanslutningar	4 Anslutningarna är placerade till vänster för strömångångar
2 Ingång 2 konfigurationsanslutningar	5 Anslutningarna är placerade till höger för spänningsingångar
3 Ingång 3 konfigurationsanslutningar	

1. Öppna styrenhetens lock.
2. Mata ledningarna genom packboxen.
3. Justera ledningarna efter behov och dra åt packboxen.
4. Anslutningarna är placerade direkt efter kontakten. Ta bort kontakten för förbättrad åtkomst till anslutningarna och konfigurera anslutningsinställningarna enligt ingångstypen i [Figur 10](#).
5. Stäng styrenhetskåpan och dra fast kåpans skruvar.
6. Konfigurera kontaktens ingångar.

Observera: I **strömångångsläget** förser styrenheten strömbrytaren med 12 V och är inte isolerad från styrenheten. I **spänningsingångsläget** är ingångarna isolerade från styrenheten (användarens ingångsspänning är från 0 till 30 V).

Anslut en digital sc-givare

Observera: Information om hur du ansluter en analog givare finns i instruktionerna till modulen eller i handboken som medföljer givaren.

En digital sc-givare kan anslutas till styrenheten med hjälp av nycklad snabbanslutning [Figur 11](#) En digital givare kan anslutas när styrenheten är på eller av.

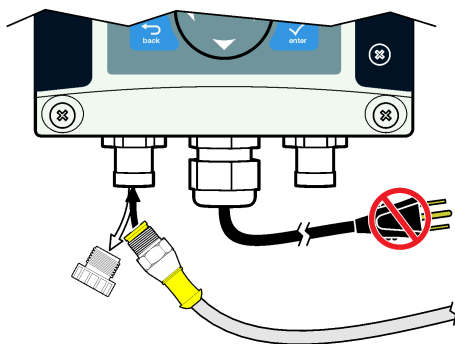
När en givare ansluts med styrenheten påslagen utför styrenheten inte automatiskt en enhetssökning. Om du vill att styrenheten ska utföra en enhetssökning går du till Test/Underhållsmenyn och välj Sök enheter. Om en ny enhet identifieras utför styrenheten installationsprocessen utan ytterligare användaråtgärd.

När en givare ansluts medan styrenheten är avslagen utförs enhetssökningen när styrenheten slås på igen. Om en ny enhet identifieras utför styrenheten installationsprocessen utan ytterligare användaråtgärd.

Behåll anslutningens lock för att täcka anslutningens öppning om sensorn måste tas bort.

Figur 11 Snabbanslutning av digital givare

1.



Anslut den extra digitala kommunikationsutgången

Tillverkaren har funktioner för kommunikationsprotokollen Modbus RS485, Modbus RS232, Profibus DPV1 och HART. Den extra digitala utgångsmodulen är installerad på platsen som indikeras av delen 4 i [Figur 7](#) på sidan 278 Mer information finns i instruktionerna som medföljer nätverksmodulen.

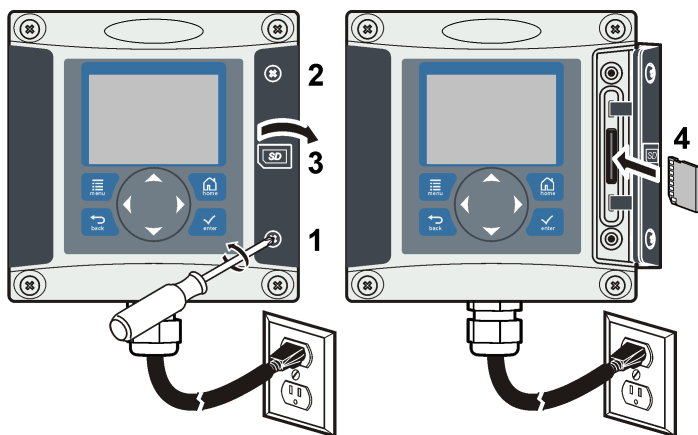
Om du vill ha information om Modbus-register går du till <http://www.hach-lange.com> eller <http://www.hach.com> och söker efter *Modbus-register* eller så går du till produktsidan sc200.

Installera ett SD-minneskort (Secure Digital)

Information om hur du installerar ett SD-kort i styrenheten finns i [Figur 12](#). Information om hur du använder SD-minneskortet finns i den utökade versionen av den här handboken.

Om du vill ta bort ett SD-kort trycker du ned kanten på kortet och släpper, därefter drar du upp kortet och ut ur uttaget. När du har tagit bort kortet stänger du uttagsluckan och fäster luckans skruvar.

Figur 12 Installation av SD- kort

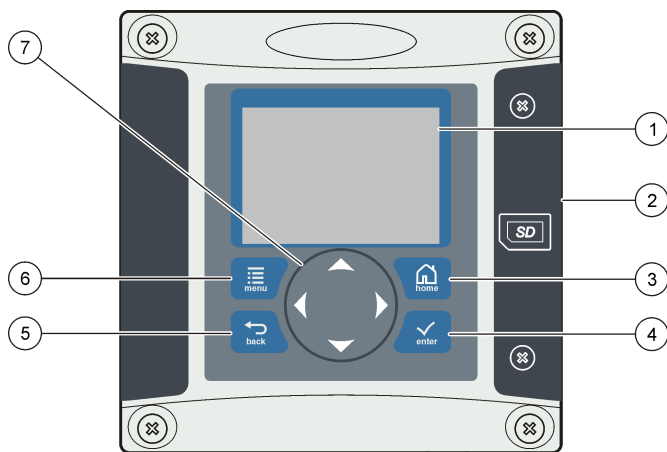


Användargränssnitt och navigering

Användargränssnitt

Knappsatsen har fyra menyknappar och fyra riktningknappar som visas i [Figur 13](#)

Figur 13 Vy över knappsats och frontpanel



1 Instrumentskärm	5 Knappen BAKÅT Går tillbaka en nivå i menystrukturen.
2 Lucka över SD-minneskortsuttag (Secure Digital)	6 Knappen MENY . Byter till inställningsmenyn från andra skärmar och undermenyer.
3 Knappen HOME . Byter till huvudmätsskärmen från andra skärmar och undermenyer.	7 Riktningssknappar. Används för att navigera genom menyerna, byta inställningar och höja eller minska siffror.
4 Knappen ENTER . Accepterar ingångsvärden, uppdateringar eller visade menyalternativ.	

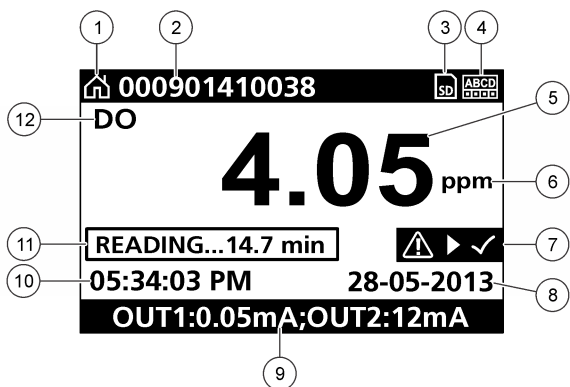
In- och utgångar ställs in och konfigureras genom frontpanelen med hjälp av knappsatsen och visningsskärmen. Detta användargränssnitt används för att ställa in och konfigurera in- och utgångar, skapa logginformation och kalkylerade värden samt kalibrera givare. SD-gränssnittet kan användas för att spara loggar och uppdatera programvara.

Display

Figur 14 visar ett exempel på huvudmätsskärmen med en DO-givare ansluten till styrenheten.

Den främre panelens skärm visar givarmätdata, kalibrerings- och konfigurationsinställningar, fel, varningar och annan information.

Figur 14 Exempel på huvudmättskärm



1 Hemskrämsikon	7 Varningsfält
2 Givarnamn	8 Datum
3 SD-minneskortsikon	9 Analoga utgångsvärden
4 Indikator för relästatus	10 Tid
5 Mätvärde	11 Progress bar
6 Mätenhet	12 Mätparameter

Tabell 5 Ikonbeskrivningar

Ikon	Beskrivning
Hemskräm	Ikonen kan variera beroende på skärmen eller visad meny. Om till exempel ett SD-kort installeras visas en SD-kortikon här när användaren är i menyn Setup SD-kort .
SD-minneskort	Den här ikonen visas endast om det finns ett SD-kort i kortläsarens fack. När en användare är i menyn Setup SD-kort visas denna ikon uppe i vänstra hörnet.
Varning	En varningsikon består av ett utropstecken i en triangel. Varningsikoner visas till höger på huvudskärmen nedanför mätvärdet. Tryck på tangenten ENTER och välj sedan enhet för att visa problem som förknippas med den enheten. Varningsikonen visas inte längre när alla problem har korrigerats eller noterats.
fel	En felikon består av ett utropstecken i en cirkel. När ett fel uppstår blinkar både felikonen och mättskrmen omväxlande i huvudskärmen. Visa fel genom att trycka på MENY -tangenten och välja Diagnostics (Instrumentdiagnostik). Välj sedan enheten för att se eventuella fel som förknippas med den enheten.

Ytterligare visningsformat

- Tryck på piltangenterna **UPP** och **NER** i Huvudmättskrmen för att växla mellan mättningsparametrar
- Tryck på **HÖGER** piltangent i Huvudmättskrmen för att växla till en delad skärm med upp till fyra mättningsparametrar. Tryck på **HÖGER** piltangent för att inkludera ytterligare mätningar. Tryck på **VÄNSTER** piltangent för att återgå till Huvudmättskrmen
- Tryck på **VÄNSTER** piltangent för att växla till den grafiska visningen (se [Grafisk visning](#) på sidan 289 för att definiera parametrarna). Tryck på piltangenterna **UPP** och **NER** för att växla mellan mättdiagram

Grafisk visning

Diagrammet visar koncentration och temperaturmätningar för alla använda kanaler. Diagrammet gör det enkelt att övervaka trender och visar förändringar i processen.

1. Välj upp- och nertangenterna i den grafiska visningsskärmen för att välja ett diagram och tryck på **HOME**-tangenten.
2. Välj ett alternativ:

Alternativ	Beskrivning
MÄTVÄRDE	Ange mätvärdet för den valda kanalen. Välj mellan Auto Scale (Skala automatiskt) and Manually Scale (Skala manuellt). Ange minsta och största mätvärden för manuell skalning
DATUM-/TIDINTERVALL	Välj datum- och tidintervall från de tillgängliga alternativen

Systemstart

Vid första start visas i följd skärmarna för språk, datumformat och datum/tid. När dessa inställningar gjorts utför styrenheten en avsökning och visar meddelandet **Söker efter enheter. Vänta...** Om en ny enhet identifieras utför styrenheten en installationsprocess innan en huvudmättskärm visas.

Om avsökningen identifierar tidigare installerade enheter utan konfigurationsändringar visas huvudmättskärmen till enheten i position nummer ett omedelbart efter att avsökningen är klar.

Om en enhet tagits bort från styrenheten eller inte identifieras under nästa omstart eller menyinitierad avsökning, visar styrenheten meddelandet **Enhet saknas** och du uppmanas att ta bort den saknade enheten.

Om ingen givare är ansluten till en installerad analog modul kommer styrenheten att indikera ett fel. Om enheter är anslutna men inte identifieras av styrenheten går du till [Felsökning](#) på sidan 292.

Ställa in språk, datum och tid första gången

Styrenheten visar språk, datum och tidsinställningsskärmarna när styrenheten slås på första gången samt när den slås på efter att konfigureringsinställningarna återställts till standardvärdena.

När språk, datum och tid ställts in första gången uppdaterar du alternativen efter behov via inställningsmenyn för meny n sc200.

1. På språkskärmen markerar du ett språk i listan och trycker på **ENTER**. Engelska är standardspråk i styrenheten.
Det valda språket sparas. Datumformatskärmen visas.
2. På datumformatskärmen markerar du ett format och trycker på **ENTER**. Datum och tidsformatet sparas. Därefter visas skärmen för datum/tid.
3. På datum-/tidskärmen trycker du på **HÖGER** eller **VÄNSTER** pilknapp för att markera ett fält. Därefter trycker du på **UPP-** och **NED-** pilknapparna för att uppdatera värdet i fältet. Uppdatera övriga fält efter behov.
4. Tryck på **ENTER**.
Ändringarna sparas och styrenheten utför en uppstartningsavsökning för enheter. Om anslutna enheter identifieras visar styrenheten huvudmättskärmen för enheten i position nummer ett. Om styrenheten inte identifierar några anslutna enheter går du till [Felsökning](#) på sidan 292.

Information om konfiguration av styrenheten

Allmän information om konfigureringsalternativ listas i tabellen.


1. Om du vill navigera till menyvalen från inställningsmenyn väljer du Setup sc200.

Alternativ	Beskrivning
Säkerhetsinställning	Konfigurerar lösenordsinställningar.
Utgångsinställninga	Konfigurerar styrenhetens analoga utgångar
Reläinställningar	Konfigurerar styrenhetens reläer
Display setup (skärminställningar)	Konfigurerar styrenhetsskärmen

Alternativ	Beskrivning
Ställ in Datum/Tid	Ställer in styrenhetens tid och datum
Inställning av datalog	Konfigurerar dataloggningsalternativ Endast tillgänglig om Beräkning har ställts in.
Manage Data (Hantera data)	Välj enheten från listan med installerade komponenter för att visa data eller händelseloggen
Felaktigt Hold-läge	Håll utgångar – Håll utgångar vid senast kända värde när styrenheten förlorar kommunikation med givaren. Överför utgångar – Byter till överföringsläge när styrenheten förlorar kommunikation med givaren. Utgångarna byter till ett fördefinierat värde.
Beräkning	Konfigurerar styrenhetens matematikfunktion
sc200-information	PROG.VER: – Visar aktuell version av styrenhetens programvara Bootloader-version: – Visar aktuell Bootloader-version Bootloader är en fil som läser in styrenhetens huvudoperativsystem SER NR – Visar styrenhetens serienummer Version: – Visar nuvarande version av styrenhetens programvara
Konfiguration av separata ingångar	Konfigurerar tre diskreta ingångskanaler
Språk	Tilldelar språket som används i styrenheten

- Välj ett alternativ och tryck på **ENTER** för att aktivera menyn.

Underhåll

▲ FÖRSIKTIGHET	
	Flera risker. Endast kvalificerad personal får utföra de moment som beskrivs i den här delen av dokumentet.

Rengöra styrenheten

▲ FARA	
	Koppla alltid från strömmen från styrenheten innan du utför underhållsåtgärder.

Observera: Använd aldrig brandfarliga är korroderande lösningsmedel för rengöring av någon del av styrenheten. Användning av dessa lösningsmedel kan förstöra miljöskyddet på enheten och innebära att garantin upphör att gälla.

- Kontrollera att styrenhetens lock är ordentligt stängt.
- Rengör styrenhetens utsida med en trasa fuktad med vatten, eller en blandning av vatten och ett mildt rengöringsmedel.

Felsökning

Problem	Upplösning
Ingen strömutmatning	Bekräfta konfigurering av strömutmatning.
	Testa strömutmatningssignal med hjälp av undermenyn Test/Underhåll. Mata in ett strömvärde och bekräfta utgångssignalen vid styrenhetens anslutningar.
	Kontakta teknisk support.
Felaktig strömutmatning	Bekräfta konfigurering av strömutmatning.
	Testa strömutmatningssignal med hjälp av undermenyn Test/Underhåll. Mata in ett strömvärde och bekräfta utgångssignalen vid styrenhetens anslutningar. Om utgången är felaktig gör du en utgångskalibrering.
Ingen reläaktivering	Säkerställ att reläanslutningarna är säkra.
	Om en extern kraftkälla används säkerställer du att reläkablaget är korrekt.
	Säkerställ att reläkonfigurationen är korrekt.
	Testa reläaktiveringen via menyn Test/Underhåll. Reläet bör aktiveras och avaktiveras i enlighet med val.
	Säkerställ att styrenheten inte är i kalibreringsläge och att reläet inte fastnat.
	Återställ övermatningstimern för att säkerställa att timern inte upphört att gälla.
Styrenheten kan inte identifiera SD-minneskort (Secure Digital)	Se till att SD-kortet sitter rätt. Kopparspären ska sitta mot styrenhetsskärmen.
	Se till att SD-kortet är helt intryckt i spåret och att fjäderläset är aktiverat.
	Säkerställ att SD-kortet är korrekt formaterat enligt Fat32. MMC-formatet stöds ej. Följ korttillverkarens instruktioner om hur SD-kortet formateras på en dator.
	Kontrollera att kortet inte är större än 32 GB.
	Kontrollera ett SD-kort används. Andra korttyper (som xSD, micro SD, mini SD) kommer inte att fungera korrekt.
Information sparas inte, eller sparas inte korrekt på SD kortet.	Säkerställ att SD-kortet är korrekt formaterat enligt Fat 32. MMC-formatet stöds ej. Följ korttillverkarens instruktioner om hur SD-kortet formateras på en dator.
	Om SD-kortet använts tidigare formaterar du kortet enligt FAT32, installerar kortet i styrenheten och försöker att överföra filer.
	Prova ett annat SD-kort.
SD-kortet är fullt	Läs SD-kortet på en dator eller annan enhet med kortläsare. Spara viktiga filer och ta sedan bort några eller samtliga filer från SD-kortet.

Problem	Upplösning
Styrenheten kan inte identifiera programvaruuppdateringar på SD-kortet.	Säkerställ att en lämplig mapp skapas genom att installera SD-kortet i styrenheten. En uppdateringsmapp skapas automatiskt.
	Installera SD-kortet på en dator och säkerställ att programvarufilererna finns i uppdateringsmappen.
	Om samma SD-kort används för flera styrenheter kommer varje styrenhet att ha separata mappar i systemet. Säkerställ att programvaruuppdateringarna finns i den mapp som tilldelats den styrenhet som används.
Skärmen lyser men inga tecken visas eller tecken är bleka eller suddiga.	Justera skärmens kontrast
	Säkerställ att skyddsfilm avlägsnats från skärmen.
	Rengör styrenhetens utsida, inklusive skärmen.
Styrenheten startar inte eller startar ojämnt	Säkerställ att nätströmanslutningarna är korrekt anslutna till styrenheten.
	Säkerställ att eldosan, strömkabeln och väggkontakten samtliga är rätt isatta.
	Kontakta teknisk support
Nätverks- eller givar modul upptäcks inte	Säkerställ att modulen är korrekt installerad.
	Säkerställ att modulväljaromkopplaren är inställd på rätt nummer.
	Ta bort givarmodulen och installera den i ett annat analogt uttag. Slå på strömmen till styrenheten och låt styrenheten utföra en avsökning av enheten.
	Kontakta teknisk support.
Givare upptäcks inte <i>Observera: Exempel på möjligt visningsmeddelande: ****</i>	Om givaren är en analog givare och en motsvarande modul finns installerad i styrenheten hittar du information i instruktioner som levererades med nätverks- eller givarmodulen.
	Säkerställ att kabelhållaren för digitala anslutningar sitter på luckans insida och att kabelhållaren inte är skadad.
	Om den digitala givaren är ansluten till styrenheten med en digital termineringsdosa, kopplingsdosa, digitala förlängningskablar eller förlängningskablar från användaren ansluter du givaren direkt till styrenheten och utför en avsökning av enheten. Om styrenheten identifierar givaren kontrollerar du att alla kablar i kopplingsdosorna eller förlängningskablar är felfria.
	Kontrollera att endast två givare är anslutna till styrenheten. Även om det finns två analoga modulportar tillgängliga kommer endast två av tre enheter att identifieras av styrenheten om en digital givare och två analoga moduler installeras.
	Kontakta teknisk support
	Felmeddelande om att enhet saknas visas

Sisällysluettelo

[Tekniset tiedot](#) sivulla 294

[Yleistietoa](#) sivulla 295

[Asentaminen](#) sivulla 298

[Käyttöliittymä ja selaaminen](#) sivulla 312

[Järjestelmän käynnistäminen](#) sivulla 314

[Huolto](#) sivulla 315

[Vianmääritys](#) sivulla 316

Lisätiedot

Lisätietoja on valmistajan verkkosivuilla.

Tekniset tiedot

Tekniset tiedot voivat muuttua ilman ennakoilmoitusta.

Ominaisuus	Lisätietoja
Komponenttien kuvaus	Mikroprosessorilla ohjattava ja valikkokäyttöinen ohjain, joka käyttää anturia ja näyttää mittausarvoja.
Käyttölämpötila	-20...60 °C (-4...140 °F), 95 %:n suhteellinen kosteus, tiivistymätön, anturikuorma: <7 W. -20...50 °C (-4...104 °F), anturikuorma: <28 W.
Säilytyslämpötila	-20...70 °C (-4...158 °F); 95 %:n suhteellinen kosteus, tiivistymätön.
Kotelo ¹	Korroosionkestävä NEMA 4X/IP66 -metallikotelo.
Tehovaatimukset	Vaihtovirtakäyttöinen vahvistin: 100 - 240 VAC ±10 %, 50/60 Hz, teho 50 VA, jossa 7 W:n anturi-/verkkomoduulikuorma, 100 VA, jossa 28 W:n anturi-/verkkomoduulikuorma (valinnainen Modbus-, RS232/RS485-, Profibus DPV1- tai HART-verkkoliitäntä). 24 VDC:n vahvistin: 24 VDC – 15 %, +20 %; teho 15 W, jossa 7 W:n anturi-/verkkomoduulikuorma, 40 W, jossa 28 W:n anturi-/verkkomoduulikuorma (valinnainen Modbus-, RS232/RS485-, Profibus DPV1- tai HART-verkkoliitäntä).
Korkeusvaatimukset	Vakiokorkeus 2000 metriä (6000 ft) merenpinnan yläpuolella
Saastumisaste/asennusluokka	Saastumisaste 2, asennusluokka II
Lähdöt	Kaksi analogista (0...20 mA tai 4...20 mA) lähtöä. Kukin lähtö voidaan määrittää kuvaamaan mitattua parametria, kuten pH:ta, lämpötilaa, virtausta tai laskettuja arvoja. Lisämoduulissa on kolme ylimääräistä analogista tuloa (yhteensä 5).
Releet	Neljä käyttäjän määrittämää SPDT-liitäntä: vaihtovirralla toimivien vahvistimien liittimien luokituksena on 250 VAC ja 5 A (maksimivastus) ja tasavirralla toimivien vahvistimien liittimien luokitus 24 VDC ja 5 A (maksimivastus). Releet on suunniteltu AC-virtapiireihin (käytettäessä ohjainta 115 - 240 VAC:n teholla) tai DC-virtapiireihin (esimerkiksi käytettäessä ohjainta 24 VDC:n teholla).
Mitat	½ DIN—144 x 144 x 180,9 mm (5,7 x 5,7 x 7,12 tuumaa)
Paino	1,7 kg (3,75 lb)
Vaatimustenmukaisuus ²	CE-hyväksytty (kaikki anturityypit). ETL-hyväksyntä yleiskäyttöön UL- ja CSA-turvallisuusstandardien mukaisesti (kaikki anturityypit). Underwriters Laboratories on hyväksynyt tietyt vaihtovirralla toimivat mallit yleiseen turvallisuuskäyttöön UL- ja CSA-turvallisuusstandardien mukaisesti (kaikki anturityypit).
Digitaalinen tiedonsiirto	Valinnainen Modbus-, RS232/RS485-, Profibus DPV1- tai HART-verkkoliitäntä tiedonsiirtoon

Ominaisuus	Lisätietoja
Datan keruu	Secure Digital -kortti (enintään 32 Gt) tai erillinen RS232-kaapeliiliitin tiedonkeruuta ja ohjelmistopäivityksiä varten. Vahvistin säilyttää noin 20 000 tietopistettä anturia kohden.
Takuu	2 vuotta

- 1 Laitteet, joilla on Underwriters Laboratoriesin (UL) sertifiointi, on tarkoitettu vain sisäkäyttöön eikä niillä ole NEMA 4X/IP66 -luokitusta.
- 2 Tasavirtakäyttöiset laitteet eivät ole UL:n hyväksymiä.

Yleistietoa

Valmistaja ei ole missään tapauksessa vastuussa suorista, epäsuorista, erityisistä, tuottamuksellisista tai välillisistä vahingoista, jotka johtuvat mistään tämän käyttöohjeen virheestä tai puutteesta. Valmistaja varaa oikeuden tehdä tähän käyttöohjeeseen ja kuvaamaan tuotteeseen muutoksia koska tahansa ilman eri ilmoitusta tai velvoitteita. Päivitetyt käyttöohjeet ovat saatavana valmistajan verkkosivuilta.

Turvallisuustietoa

HUOMAUTUS

Valmistaja ei ole vastuussa mistään virheellisestä käytöstä aiheuvista vahingoista mukaan lukien rajoituksetta suorista, satunnaisista ja välillisistä vahingoista. Valmistaja sanoutuu irti tällaisista vahingoista soveltuvien lakien sallimissa rajoissa. Käyttäjä on yksin vastuussa sovellukseen liittyvien kriittisten riskien arvioinnista ja sellaisten asianmukaisten mekanismien asentamisesta, jotka suojaavat prosesseja laitteen toimintahäiriön aikana.

Lue nämä käyttöohjeet kokonaan ennen tämän laitteen pakkauksesta purkamista, asennusta tai käyttöä. Kiinnitä huomiota kaikkiin vaara- ja varoitusilausekkeisiin. Niiden laiminlyönti voi johtaa käyttäjän vakavaan vammaan tai laitteistovaurioon.

Jotta laitteen suojaus ei heikentyisi, sitä ei saa käyttää tai asentaa muuten kuin näissä ohjeissa kuvatulla tavalla.

Vaaratilanteiden merkintä

▲ VAARA

Ilmoittaa mahdollisesti vaarallisesta tai välittömän vaaran aiheuttavasta tilanteesta, joka aiheuttaa kuoleman tai vakavan vamman.

▲ VAROITUS

Osoittaa potentiaalisesti tai uhkaavasti vaarallisen tilanteen, joka, jos sitä ei vältetä, voisi johtaa kuolemaan tai vakavaan vammaan.

▲ VAROTOIMI





Ilmoittaa mahdollisesti vaarallisesta tilanteesta, joka voi aiheuttaa lievän vamman.

HUOMAUTUS

Ilmoittaa tilanteesta, joka saattaa aiheuttaa vahinkoa laitteelle. Tieto, joka vaatii erityistä huomiota.

Varoitustarrat

Lue kaikki laitteen tarrat ja merkinnät. Ohjeiden laiminlyönnistä voi seurata henkilövamma tai laitevaurio. Laitteen symboliin viitataan käsikirjassa, ja siihen on liitetty varoitus.

	Tämä symboli, jos se on merkitty kojeeseen, viittaa kojeen käsikirjaan käyttö- ja/tai turvallisuustietoja varten.
	Tämä symboli ilmoittaa sähköiskun ja/tai hengenvaarallisen sähköiskun vaarasta.
	Tämä symboli ilmoittaa, että laitteet ovat herkkiä sähköstaattisille purkauksille (ESD) ja että laitteita on vartottava vahingoittamasta.
	Sähkölaitteita, joissa on tämä symboli, ei saa vuoden 2005 elokuun 12. päivän jälkeen hävittää yleisissä eurooppalaisissa jätteiden hävitysjärjestelmissä. Eurooppalaisten ja kansainvälisten säädösten (EU-direktiivi 2002/96/EC) mukaan eurooppalaisten sähkölaitteiden käyttäjien on nyt palautettava vanhat ja käytöstä poistetut laitteet valmistajalle hävitettäväksi, eikä siitä saa koitua kuluja käyttäjälle.

Sertifiointi

Canadian Radio Interference-Causing Equipment Regulation, IECS-003, luokka A:

Tarkemmat testitulokset ovat valmistajalla.

Tämä luokan A digitaalinen laite vastaa kaikkia Kanadan häiriötä tuottavista laitteista annettujen säädösten vaatimuksia.

Cet appareil numérique de classe A répond à toutes les exigences de la réglementation canadienne sur les équipements provoquant des interférences.

FCC Osa 15, luokan "A" rajoitukset

Tarkemmat testitulokset ovat valmistajalla. Laite vastaa FCC-säädösten osaa 15. Laitteen toimintaa koskevat seuraavat ehdot:

1. Laite ei saa aiheuttaa haitallisia häiriöitä.
2. Laitteen on voitava vastaanottaa häiriötä, mukaan lukien häiriöt, jotka voivat olla syynä epätoivottuun toimintaan.

Tähän laitteeseen tehdyt, muut kuin yhteensopivuudesta vastaavan osapuolen hyväksymät muutokset tai muokkaukset saattavat johtaa käyttäjän menettämään oikeutensa käyttää tätä laitetta. Tämä laite on testattu ja sen on todettu olevan luokan A digitaalinen laite, joka vastaa FCC-säädösten osaa 15. Nämä rajoitukset on laadittu antamaan kohtuullinen suoja haitallisilta häiriöiltä, kun laitetta käytetään kaupallisessa ympäristössä. Tämä laite kehittää, käyttää ja saattaa säteillä radiotaajuusenergiaa, ja näiden ohjeiden vastaisesti asennettuna tai käytettynä se saattaa aiheuttaa haitallisia häiriöitä radioliikenteeseen. Tämän laitteen käyttö asuinalueella aiheuttaa todennäköisesti haitallisia häiriöitä, missä tapauksessa käyttäjän on korjattava tilanne omalla kustannuksellaan. Häiriötä voidaan vähentää seuraavilla tavoilla:

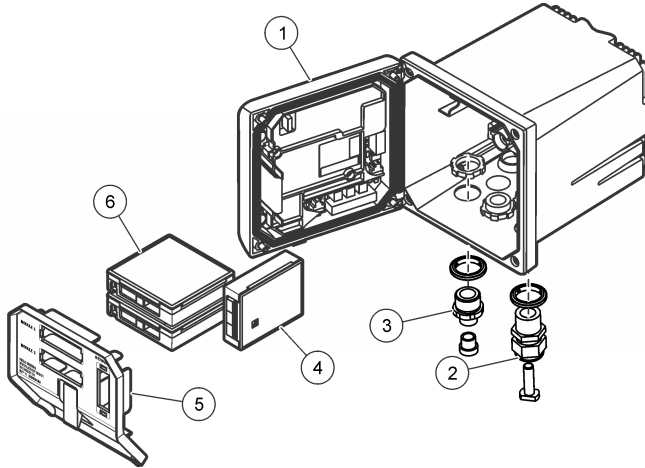
1. Irrota laite sähköverkosta varmistaaksesi, onko laite häiriöiden syy.
2. Jos laite on kytketty samaan pistorasiaan kuin häiriötä vastaanottava laite, kytke tämä laite toiseen pistorasiaan.
3. Siirrä laite kauemmas häiriötä vastaanottavasta laitteesta.
4. Sijoita häiriötä vastaanottavan laitteen antenni toiseen paikkaan.
5. Kokeile edellä annettujen ohjeiden yhdistelmiä.

Tuotteen yleiskuvaus

Ohjain näyttää anturin mittaustietoja ja muita tietoa, voi siirtää analogisia ja digitaalisia signaaleja ja voi muodostaa tiedonsiirtoyhteyden muihin laitteisiin sekä ohjata niitä lähtöjen ja releiden avulla. Lähdöt, releet, anturit ja anturimoduulit määritetään ja kalibroidaan ohjaimen etupaneelin käyttöliittymän avulla.

Kuva 1: laitteen osat. Osat voivat vaihdella ohjaimen kokoonpanon mukaan. Ota yhteys valmistajaan, jos osia puuttuu tai ne ovat vaurioituneet.

Kuva 1 Järjestelmän osat



1 Ohjain	4 Verkkomodyyli (lisävaruste)
2 Vedonpoistosarja (ohjainversion mukaan saatava lisävaruste)	5 Korkeajännitevastus
3 Digitaaliliitännän sovitin (ohjainversion mukaan saatava lisävaruste)	6 Anturimoduulit (lisävaruste)

Anturit ja anturimoduulit

Ohjaimen voi liittää enintään kaksi anturimoduulia tai kaksi digitaalianturia (ohjaimen kokoonpanon mukaan) ja yhden tiedonsiirtomodyyliin. Yksittäisen digitaalianturin ja yksittäisen anturimoduulin voi asentaa yhdessä. Anturimoduuleihin voidaan johdottaa useita erilaisia antureita. Lisätietoja anturien johdottamisesta on anturin käyttöoppaissa ja yksittäisten modyylien käyttöohjeissa.

Releet, lähdöt ja signaalit

Vahvistimessa on neljä määritettävää relekytkintä ja kaksi analogista lähtöä. Valinnaisen analogisen lisälähdön avulla analogisten lähtöjen määrää voidaan lisätä enintään viiteen.

Laitehaut

Kahta poikkeusta lukuun ottamatta ohjain hakee automaattisesti liitettyjä laitteita ilman käyttäjän toimia, kun laitteeseen on kytketty virta. Ensimmäinen poikkeus on laitteen ensimmäinen käynnistys ennen ensimmäistä käyttökertaa. Toisena poikkeuksena on laitteen käyttö sen jälkeen, kun ohjaimen kokoonpanoasetukset on palautettu oletusarvoihin ja ohjain käynnistetään. Molemmissa tapauksissa ohjain näyttää ensin kielen, päivämäärän sekä ajan valintanäytöt. Kun kieli, päivämäärä ja aika on määritetty, vahvistin hakee laitteita. Kohdassa [Sc-digitaalianturin liittäminen](#) sivulla 311 on lisätietoja siitä, miten laitteita haetaan, kun vahvistimen virta on kytketty.

Vahvistimen kotelo

Ohjaimen kotelossa on NEMA 4X/IP66 -suojaus ja korroosiosuojaus, minkä ansiosta laite kestää korrosiivisia ympäristöolosuhteita, kuten suolavettä ja rikkivetyä. Ulkokäytössä on suositeltavaa suojata laite ympäristövaurioita vastaan.

Huomautus: Laitteet, joilla on Underwriters Laboratoriesin (UL) sertifiointi, on tarkoitettu vain sisäkäyttöön eikä niillä ole NEMA 4X/IP66 -luokitusta.

Vahvistimen asennustavat

Ohjain voidaan asentaa paneeliin, seinään ja pysty- tai vaakasuoraan putkeen. Toimitus sisältää neopreenitiivisteen, jota voidaan tarvittaessa käyttää tärinän vähentämiseen. Tiivistettä voi käyttää seinäkiinnityksen mallineena ennen sisätiivisteen erottamista.

Asentaminen

Komponenttien asentaminen ja mitat

⚠ VAROTOIMI

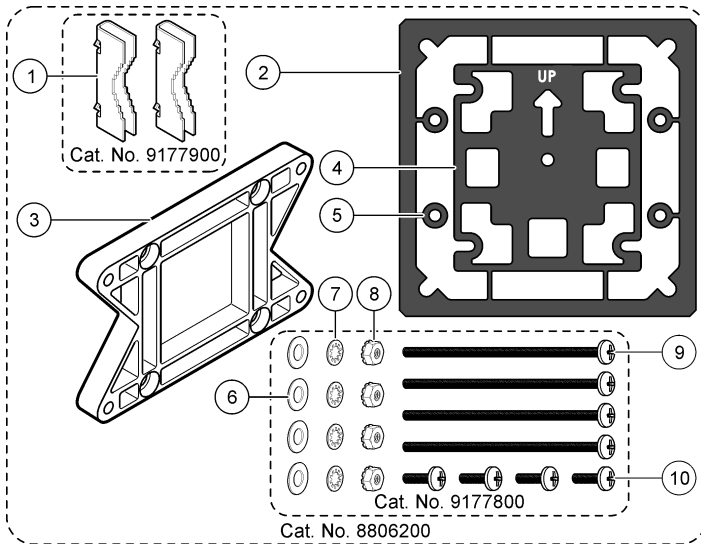
Henkilövahinkojen vaara. Vain ammattitaitoinen henkilö saa suorittaa käyttöohjeiden tässä osassa kuvatut tehtävät.

Ohjain voidaan asentaa vaakasuoralle pinnalle, seinään tai putkeen (vaaka- tai pystysuoraan). Asennusvaihtoehdot ja -ohjeet: katso [Kuva 2](#), [Kuva 3](#) sivulla 299, [Kuva 4](#) sivulla 300, [Kuva 5](#) sivulla 301 ja [Kuva 6](#) sivulla 302.

Vaakasuorassa putkiasennuksessa asennusjalat ([Kuva 2](#)) on kiinnitettävä kiinnikkeeseen pystysuoraan.

Käytettäessä vaaka- tai pystysuoraa kiinnitystapaa asenna kiinnike ohjaimeen kuvan [Kuva 5](#) sivulla 301 mukaisesti.

Kuva 2 Asennusosat

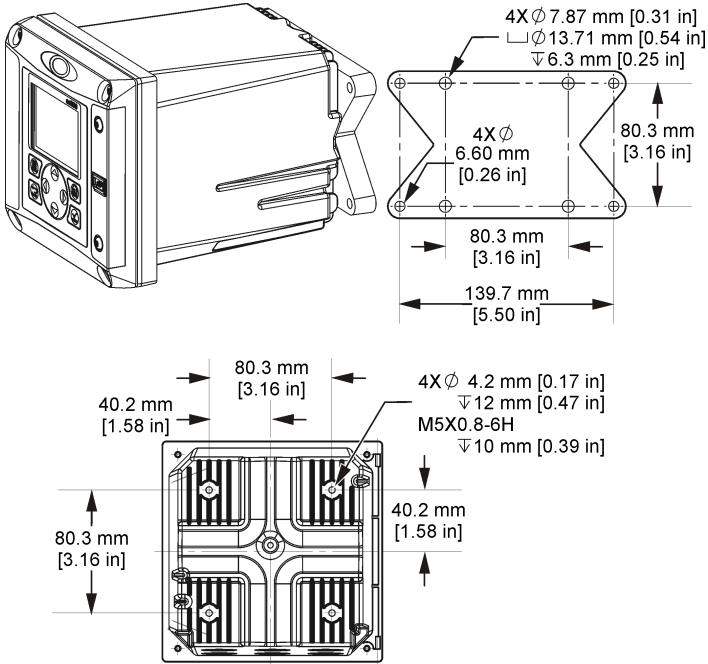


1 Asennusjalat (2 kpl)	6 Litteä aluslevy, ¼ tuuman sisähalkaisija, (4 kpl)
2 Tiiviste seinäkiinnitykseen, neopreeni	7 Lukkoaluslevy, ¼ tuuman sisähalkaisija, (4 kpl)
3 Kiinnike seinä- ja putkikiinnitykseen	8 M5 x 0,8 -kokoinen kuusioruuvi (4 kpl)
4 Tärinää eristävä tiiviste putkikiinnitykseen	9 M5 x 0,8 x 100 mm -kokoiset tasapääruuvit (4 kpl) (käytetään putkikiinnitykseen halkaisijaltaan vaihtelevissa putkissa)
5 Tärinää eristävä aluslevy putkikiinnitykseen (4 kpl)	10 Tasapääruuvit, M5 x 0,8 x 15 mm (4 kpl)

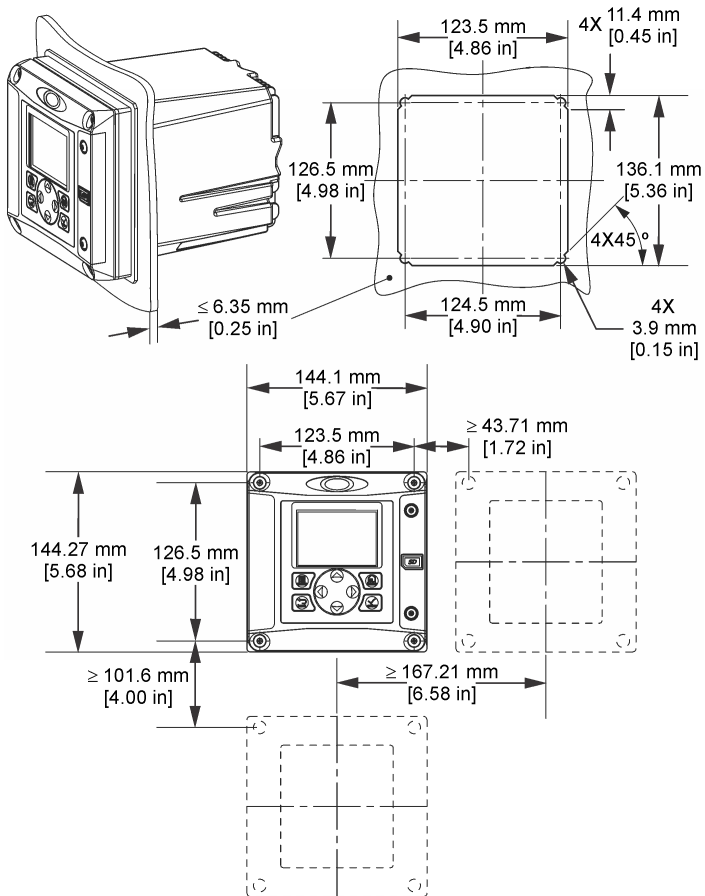
Huomautus: Kiinnike seinäkiinnitystä varten on saatavana lisävarusteena.

Ohjaimen kiinnittäminen

Kuva 3 Vaakasuoran kiinnityksen mitat

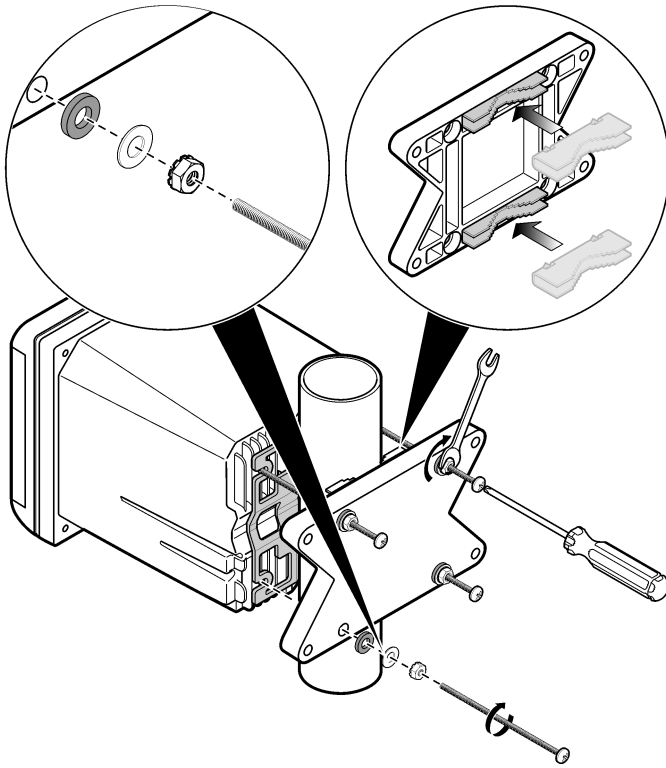


Kuva 4 Seinäkiinnityksen mitat

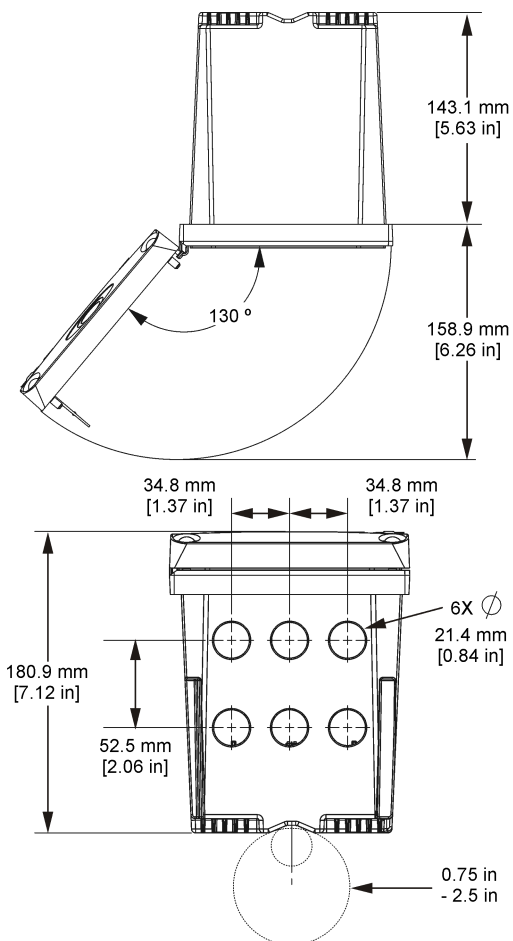


Huomautus: Kun käytössä on seinäkiinnityksen kiinnike (lisävaruste), paina vahvistin paneelin reiän läpi ja liu'uta kiinnike vahvistimen yli paneelin takapuolella. Kiinnitä kiinnike vahvistimeen ja vahvistin paneeliin neljän mukana toimitetun 15 mm:n tasapääruuvien avulla.

Kuva 5 Putkikiinnitys (pystysuora putki)



Kuva 6 Näkymä ylhäältä ja alhaalta



Korkeajännitevastus

Laitteen korkeajännitejohdotus sijaitsee korkeajännitevastuksen takana laitteen kotelossa. Vastus on jätettävä paikalleen paitsi asennettaessa moduuleita tai valtuutetun sähkömiehen tehdessä johdotuksia verkkovirtaa, hälytyksiä, lähtöjä tai releitä varten. Älä poista vastusta, kun ohjain saa virtaa.

Huomattavaa sähköstaattisesta varauksesta

HUOMAUTUS



Mittarin rikkoutumisvaara. Herkät sisäosien sähkökomponentit voivat vahingoittua staattisen sähkön voimasta, mikä johtaa laitteen heikentyneeseen suorituskykyyn ja jopa rikkoutumiseen.

Estä sähköstaattisen varauksen aiheuttamat laitevauriot näiden ohjeiden avulla:

- Poista staattinen sähkö koskettamalla maadoitettua metallipintaa, kuten laitteen runkoa, metallikanavaa tai -putkea.

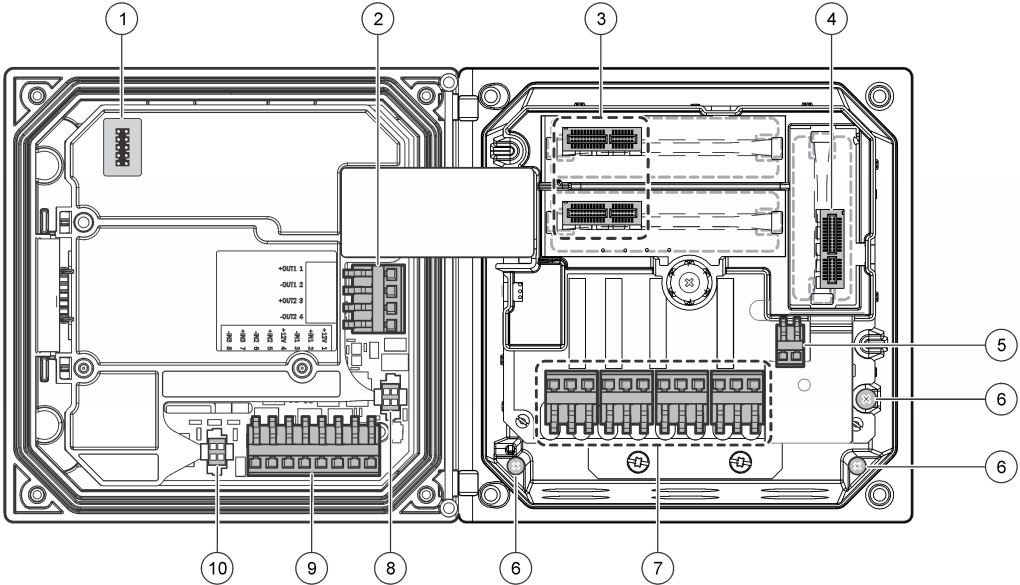
- Vältä tarpeettomia liikkeitä. Kuljeta staattiselle sähkölle alttiita komponentteja antistaattisissa säiliöissä tai pakkauksissa.
- Käytä rannehihnaa, joka on kytketty johdolla maadoitukseen.
- Työskentele staattiselta sähköltä suojatulla alueella ja käytä staattiselta sähköltä suojaavia lattia- ja työpenkkialustoja.

Johdotuksen yleiskuvaus

Kuva 7: johdotusliitäntöjen yleiskuvaus ohjaimen sisällä korkeajännitevastus poistettuna. Vasemmalla puolella on kuvattu ohjaimen kannen takaosa.

Huomautus: Poista liittimien tulpat ennen moduulin asentamista.

Kuva 7 Johdotusliitäntöjen yleiskuvaus



1 Huoltokaapeliiliitäntä	5 AC- ja DC-liitin ¹	9 Erilliset tulojohdotuksen liitännät ¹
2 4...20 mA:n lähtö ¹	6 Maadoitusliittimet	10 Digitaalianturin liitin ¹
3 Anturimoduulin liitin	7 Releiliitännät ¹	
4 Tiedonsiirtomoduulin liitin (esimerkiksi Modbus, Profibus, HART tai valinnainen 4...20 mA:n moduuli)	8 Digitaalianturin liitin ¹	

¹ Liittimet voidaan tarvittaessa irrottaa.

Teholähteen johdotus

⚠ VAROITUS



Sähköiskun vaara. Kytke aina laite irti verkkovirrasta ennen sähköliitäntöjen tekemistä.

⚠ VAROITUS



Sähköiskun vaara. Jos laitetta käytetään ulkona tai mahdollisesti märässä paikassa, on käytössä oltava **vikavirtakytkin** laitteen ja virtalähteen välissä.

⚠ VAARA



Tappavan sähköiskun vaara. Älä kytke vaihtovirtaa 24 voltin tasavirtaa käyttävään malliin.

⚠ VAROITUS



Sähköiskun vaara. Sekä 100-240 VAC että 24 VDC -versiot edellyttävät suojamaadoituskytkentää. Riittävän suojamaadoituksen puuttuminen voi johtaa sähköiskun vaaraan ja laitteen sähkömagneettisten häiriöiden aiheuttamaan suorituskyvyn heikkenemiseen. Ohjausliitin on AINA varustettava riittävällä suojamaadoituksella.

HUOMAUTUS

Sijoita laite paikkaan, josta käsin laitetta on helppo käyttää ja kytkeä se pois päältä.

Ohjaimia on saatavilla joko 100 - 240 VAC:n tai 24 VDC:n malleina. Noudata ostamasi laitteen mukaisia johdotusohjeita.

Ohjain voidaan kytkeä verkkovirtaan johdottamalla se kiinteän putkijohdon tai virtajohdon avulla. Liitännät tehdään kuitenkin samoihin liittimiin käytetystä johtotyypistä huolimatta. Kaikki asennukset edellyttävät paikallisten sähköturvallisuusmääräysten noudattamista, ja ne on merkittävää asianmukaisesti. Käytettäessä kiinteää asennusta virran ja turvamaan laskun on oltava 18 - 12 AWG.

Huomautukset:

- Jännitevastus on poistettava ennen sähköliitännöiden tekemistä. Kun kaikki liitännät on tehty, aseta jännitevastus takaisin, ennen kuin suljet ohjaimen kannen.
- NEMA 4X/IP66-ympäristöluokitus voidaan säilyttää käyttämällä tiivistävää vedonpoistinta ja alle 3 metrin (10 jalan) pituista virtajohtoa, jossa on kolme 18-koon johdinta (mukaan lukien turvamaajohto).
- Ohjaimiin on saatavana tilauksesta esiasennetut AC-virtajohdot. Tilauksesta on saatavana myös lisävirtajohtoja.
- 24 VDC:n ohjaimen virtaa tuottavan DC-virtalähteen on ylläpidettävä jännitteen säätö määritettyjen jänniterajojen (24 VDC -15 % +20 %) sisäpuolella. Lisäksi DC-virtalähteen on tarjottava riittävä suojaus ylikuormituksia ja transienteja vastaan.

Johdotus

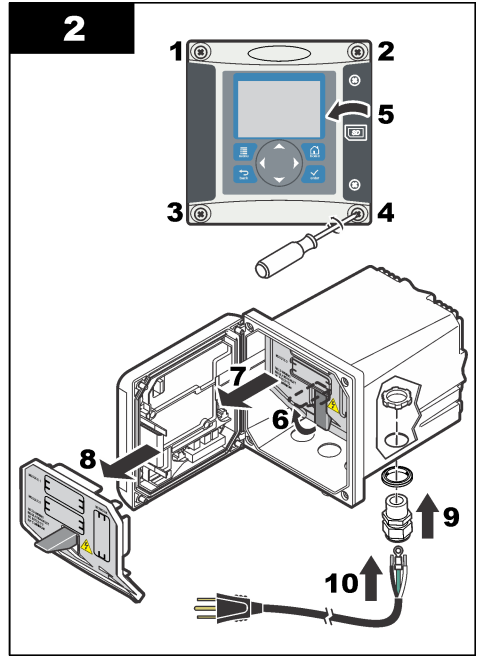
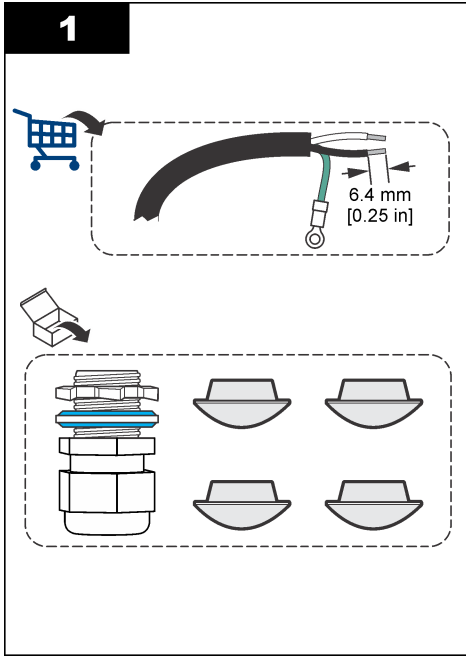
Katso vahvistimen virtajohtojen asentamista koskevat lisätiedot seuraavista kuvista sekä kohdista [Taulukko 1](#) tai [Taulukko 2](#). Asenna kukin johto asianmukaiseen liittimeen, kunnes eristys tulee liitintä vasten eikä paljasta johtoa ole näkyvissä. Varmista kytkennän turvallisuus vetämällä johdosta kevyesti. Tiivistä kaikki käyttämättä jääneet ohjauskeskuksen aukot kanavan tiivistetulpilla.

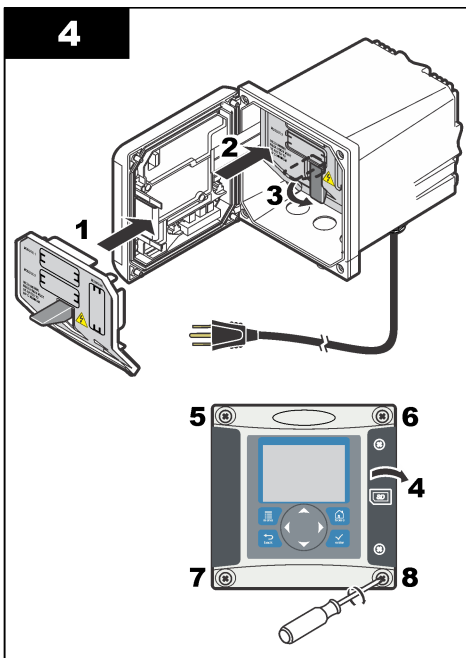
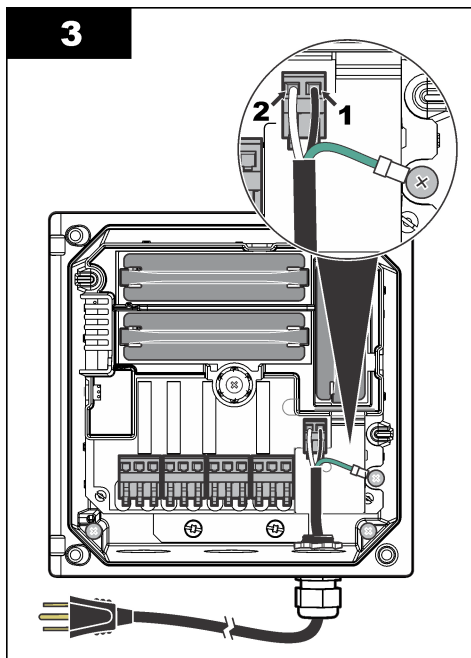
Taulukko 1 AC-virtajohdotus (vain AC-mallit)

Liitin	Kuvaus	Väri – Pohjois-Amerikka	Väri—EU
1	Kuuma (L1)	Musta	Ruskea
2	Nolla (N)	Valkoinen	Sininen
—	Suojamaadoituskiinnike (PE)	Vihreä	Vihreä, jossa keltainen raita

Taulukko 2 DC-virtajohdotus (vain DC-mallit)

Liitin	Kuvaus	Väri – Pohjois-Amerikka	Väri—EU
1	+24 VDC	Punainen	Punainen
2	24 VDC paluu	Musta	Musta
—	Suojamaadoituskiinnike (PE)	Vihreä	Vihreä, jossa keltainen raita





Hälytykset ja releet

Ohjaimessa on neljä virratonta, yksinapaista releitä, joiden luokitus on 100 - 250 VAC, 50/60 Hz ja 5 A (maksimivastus). Vaihtovirralla toimivien ohjainten liittimien luokituksena on 250 VAC ja 5 A (maksimivastus), ja tasavirralla toimivien ohjainten liittimien luokitus 24 VDC ja 5 A (maksimivastus). Releitä ei ole luokiteltu induktiivisia kuormia varten.

Releiden johdotus

⚠ VAROITUS



Sähköiskun vaara. Kytke aina laite irti verkkovirrasta ennen sähköliitännöjen tekemistä.

⚠ VAROITUS



Tulipalon vaara. Relekoskettimien luokitus on 5A, eikä niitä ole varustettu varokkeilla. Releisiin kytkettävissä ulkoisissa kuormissa on oltava virranrajoitin, jolla virta rajoitetaan arvoon <math>< 5\text{ A}</math>.

⚠ VAROITUS



Tulipalon vaara. Älä ketjuta tavallisia releliitännöjä tai hyppyyjohdinta syöttövirtaliitännästä mittauslaitteen sisäpuolella.

⚠ VAROITUS



Sähköiskun vaara. Jotta kotelon NEMA/IP-ympäristöluokitus säilyisi, kytke kaapelit laitteeseen käyttämällä ainoastaan putkijohtoliittimiä ja kaapeliholkkveja, joissa on vähintään NEMA 4X/IP66-luokitus.

AC-ohjaimet (100 - 250 V)

Johdotuskotelo ei ole tarkoitettu yli 250 VAC:n jännitteelle.

24 VDC:n ohjaimet

⚠ VAROITUS



Sähköiskun vaara. Vaihtovirtakäyttöiset ohjaimet (115— 230 V) on tarkoitettu vaihtovirtapiirin releliitäntöille (yli 16 V-RMS:n jännitteet, 22,6 V:n huippu tai 35 VDC).

⚠ VAROITUS



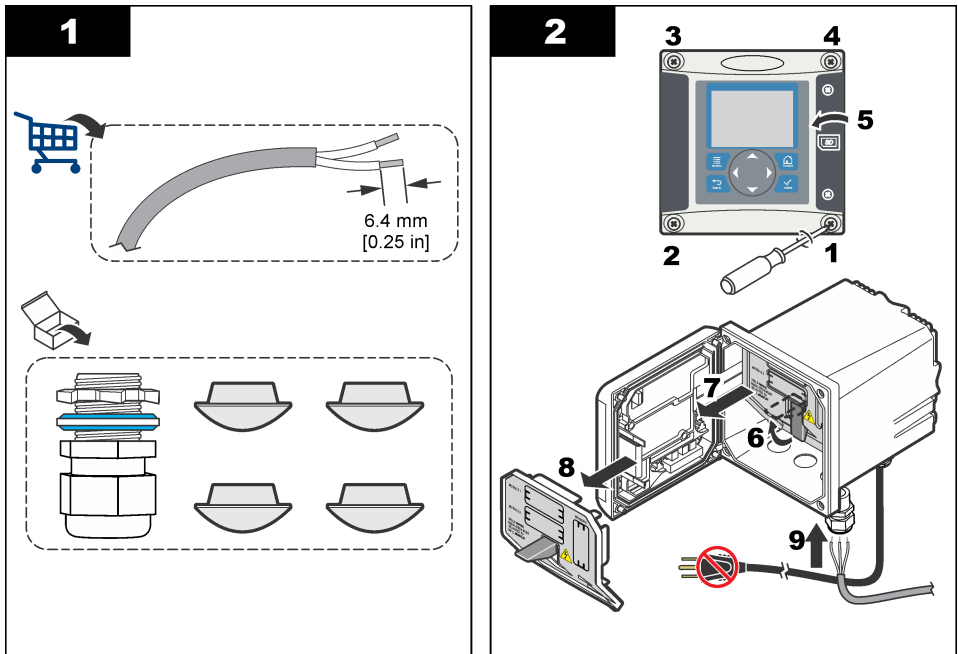
Sähköiskun vaara. 24 V:n ohjaimet on tarkoitettu pienjännitepiirin releliitäntöille (alle 16 V-RMS:n jännitteet, 22,6 V:n huippu tai 35 VDC).

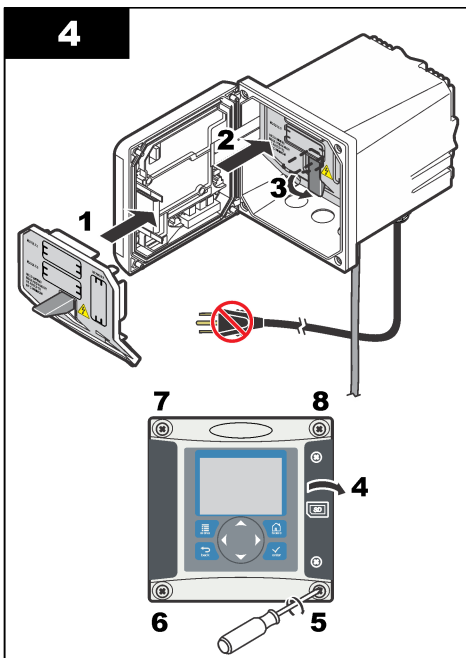
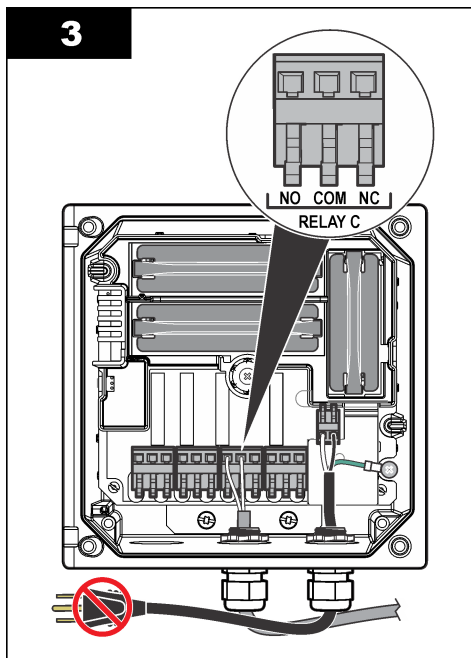
24 VDC:n vahvistimen releet on tarkoitettu pienjännitepiireihin (alle 30 V-RMS:n jännitteet, 42,2 V:n huippu tai 60 VDC). Johdotuskotelo ei ole tarkoitettu näitä tasoja korkeammille jänniteliitäntöille.

Releen kytkentään käytetään 18 – 12 AWG johtoa (kuorman mukaan määräytyen). Emme suosittele alle 18 AWG:n johtoja.

NO (Normally Open) ja COM (Common) -relekoskettimet liitetään, kun hälytys tai muu tila on aktiivinen. NC (Normally Closed) ja Common -relekoskettimet liitetään, kun hälytys tai muu tila ei ole aktiivinen (paitsi jos Fail Safe -varmistustilan asetuksena on Yes (Kyllä)) tai kun ohjaimen virta katkaistaan.

Useimmat releliitännät käyttävät joko NO- ja COM-liittimiä tai NC- ja COM-liittimiä. NO- ja COM-liittimien liitäntä on kuvattu numeroiduissa vaiheissa.





Analogiset lähtöliitännät

⚠ VAROITUS



Sähköiskun vaara. Kytke aina laite irti verkkovirrasta ennen sähköliitännöiden tekemistä.

⚠ VAROITUS



Sähköiskun vaara. Jotta kotelon NEMA/IP-ympäristöluokitus säilyisi, kytke kaapelit laitteeseen käyttämällä ainoastaan putkijohtoliittimiä ja kaapeliholkkeja, joissa on vähintään NEMA 4X/IP66-luokitus.

Laitteessa on kaksi eristettyä analogista lähtöliitännää (1 ja 2) (Kuva 8). Näitä lähtöliitännöitä käytetään yleensä analogiseen signaaliin tai muiden ulkoisten laitteiden ohjaamiseen.

Kytke johtoliitännät ohjaimen, ks. Kuva 8 ja Taulukko 3.

Huomautus: Kuva 8: kuvassa näkyy ohjaimen takaosa, ei pääohjaimen sisäpuoli.

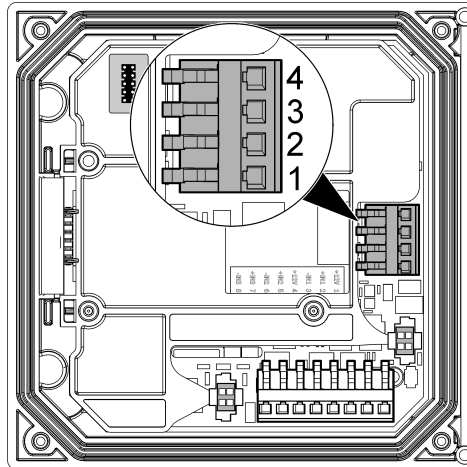
Taulukko 3 Lähtöliitännät

Tallentimen johdot	Piirilevyn asento
Lähtö 2-	4
Lähtö 2+	3
Lähtö 1-	2
Lähtö 1+	1

1. Avaa ohjaimen suojus.
2. Vie johdot vedonpoistimen läpi.
3. Säädä johdot tarvittaessa ja kiristä vedonpoistin.

4. Tee liitännät käyttämällä parikaapelin suojattua johtoa ja kytke suoja valvotun komponentin päähän tai virtasilmukan päähän.
 - Älä kytke suojaa kaapelin molempiin päihin.
 - Suojaamattoman kaapelin käyttäminen voi aiheuttaa radiotaajuussäteilyä tai sallittua suuremman herkkyystason.
 - Suurin sallittu silmukkavastus on 500 ohmia.
5. Sulje ohjaimen kansi ja kiristä kannen ruuvit.
6. Määritä ohjaimen lähdöt.

Kuva 8 Analogiset lähtöliitännät



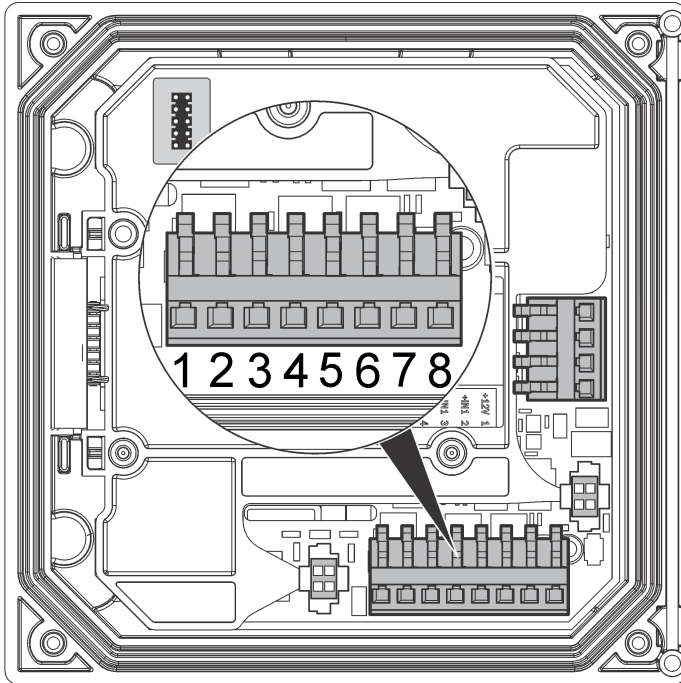
Erillisten tulojohtojen liitännät

▲ VAROITUS	
	Sähköiskun vaara. Kytke aina laite irti verkkovirrasta ennen sähköliitännöiden tekemistä.
▲ VAROITUS	
	Sähköiskun vaara. Jotta kotelon NEMA/IP-ympäristöluokitus säilyisi, kytke kaapelit laitteeseen käyttämällä ainoastaan putkijohtoliittimiä ja kaapeliholkkeja, joissa on vähintään NEMA 4X/IP66-luokitus.

Sulkukyttimeen tuloille tai logiikkatason jännitesyötöille on kolme erillistä tuloa. Tee johdotusliitännät ja määritä määritä hyppyjohtimien asetukset vahvistimessa seuraavien ohjeiden mukaisesti: [Kuva 9](#), [Taulukko 4](#) ja [Kuva 10](#).

Huomautus: [Kuva 9](#): kuvassa näkyy ohjaimen takaosa, ei pääohjaimen sisäpuoli.

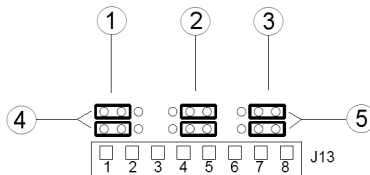
Kuva 9 Erillisten tulojohtojen liitännät



Taulukko 4 Tuloliitännät

Erilliset tulot	Liittimen sijainti - Kytintulo	Liittimen sijainti - Jännitetulo
Tulo 1+	3	2
Tulo 1-	2	3
Tulo 2+	6	5
Tulo 2-	5	6
Tulo 3+	8	7
Tulo 3-	7	8

Kuva 10 Hyppylangoitus



1 Tulon 1 hyppyojtimet	4 Vasemmalle asetetut kytintulojen hyppyojtimet
2 Tulon 2 hyppyojtimet	5 Oikealle asetetut jännitetulojen hyppyojtimet
3 Tulon 3 hyppyojtimet	

1. Avaa ohjaimen suojus.
2. Työnnä johdot kaapelin läpivientiholkkien läpi.
3. Säädä johdot tarvittaessa ja kiristä läpivientiholkki.
4. Hyppyjohtimet ovat suoraan liittimen takana. Irrota liitin, jotta hyppyjohtimiin on helpompi päästä käsiksi, ja tee hyppylangoitus tulon tyyppin mukaisesti. Katso [Kuva 10](#).
5. Sulje ohjaimen kansi ja kiristä kannen ruuvit.
6. Määritä vahvistimen tulot.

Huomautus: *Kytkintulo-tilassa vahvistin syöttää 12 voltin jännitteen kytkimeen eikä se ole eristetty vahvistimesta. Jännitetulo-tilassa tulot on eristetty vahvistimesta (käyttäjätulojännite 0...30 voltia).*

Sc-digitaalianturin liittäminen

Huomautus: *Katso analogisen anturin liittämishojeet moduulin tai anturin käyttöoppaasta.*

Sc-digitaalianturi voidaan liittää ohjaimen käyttämällä avaimella varustettua pikaliitintä ([Kuva 11](#)). Digitaalianturi voidaan liittää ohjaimeen, kun ohjaimen on kytketty virta tai kun ohjaimen ei ole kytketty virtaa.

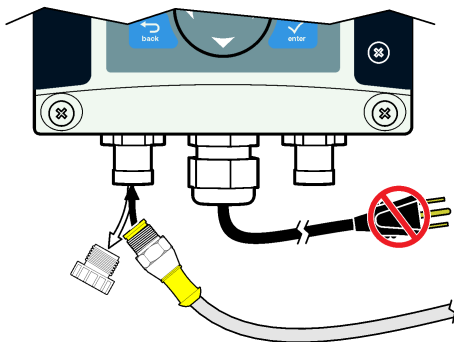
Jos anturi liitetään ohjaimen, kun virta on kytkettynä, ohjain ei tee laitehaku automaattisesti. Käynnistä ohjaimen laitehaku siirtymällä Test/Maintenance (Testi/ylläpito) -valikkoon ja valitsemalla Scan Devices (Hae laitteet). Jos uusi laite löydetään, ohjain suorittaa asennusprosessin, eikä käyttäjän tarvitse tehdä muita toimenpiteitä.

Jos ohjaimen ei ole kytketty virtaa, kun anturi liitetään, ohjain suorittaa laitehaun seuraavan käynnistyksen yhteydessä. Jos uusi laite löydetään, ohjain suorittaa asennusprosessin, eikä käyttäjän tarvitse tehdä muita toimenpiteitä.

Säilytä liittimen suojus siltä varalta, että anturikaapeli täytyy irrottaa.

Kuva 11 Digitaalianturin pikaliitintä

1.



Valinnaisen digitaalisen tiedonsiirtolähdön kytkeminen

Laite tukee Modbus RS485-, Modbus RS232-, Profibus DPV1- ja HART-tiedonsiirtoprotokollia. Valinnaisen digitaalisen lähtömoduulin asennuspaikka on kuvattu kohdassa 4 [Kuva 7](#) sivulla 303. Lisätietoja on verkkomodulin mukana toimitetuissa ohjeissa.

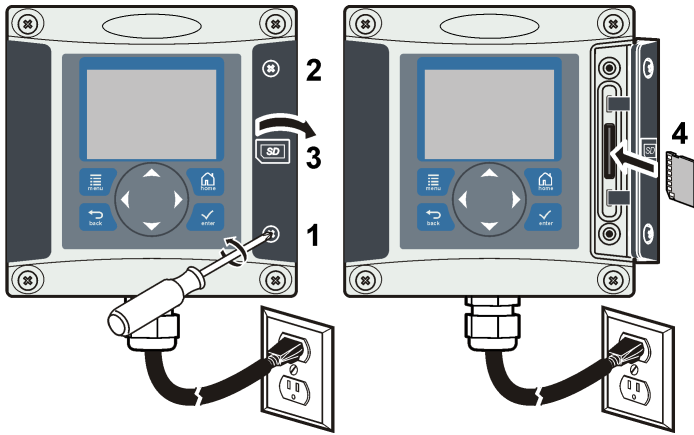
Katso lisätietoja Modbus-rekistereistä sivuilta <http://www.hach-lange.com> tai <http://www.hach.com> hakemalla *Modbus-rekistereitä* tai siirtymällä jollekin sc200-tuotesivulle.

SD (Secure Digital) -muistikortin asentaminen

Katso lisäohjeita SD-kortin asentamisesta ohjaimen kuvasta [Kuva 12](#). Lisätietoja SD-muistikortin käyttämisestä löytyy tämän käyttöoppaan laajennetusta versiosta.

Poista SD-muistikortti työntämällä alaspäin kortin reunasta, vapauttamalla oteesi ja vetämällä korttia sitten ylöspäin ja ulos korttipaikasta. Kun kortti on poistettu, sulje korttipaikan kansi ja kiristä kannen ruuvit.

Kuva 12 SD-kortin asentaminen

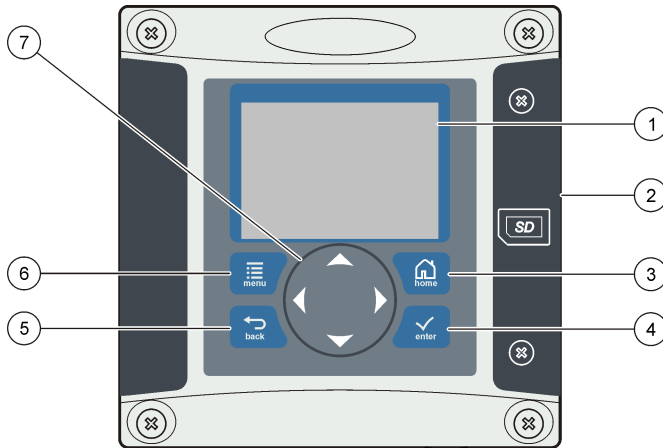


Käyttöliittymä ja selaaminen

Käyttöliittymä

Näppäimistössä on neljä valikkopainiketta ja neljä nuolipainiketta (Kuva 13).

Kuva 13 Näppäimistö ja etupaneeli



1 Laitenäyttö	5 BACK -näppäin. Siirtyminen takaisin valikkorakenteessa yhden tason verran.
2 Secure Digital -muistikorttipaikan kansi	6 MENU -näppäin. Siirtyminen Settings (Asetukset) -valikkoon muista näytöistä ja alivalikoista.
3 HOME -näppäin. Siirtyminen päämittausnäyttöön muista näytöistä ja alivalikoista.	7 Nuolinäppäimet. Navigoiminen valikoissa, asetusten muuttaminen ja lukujen suurentaminen tai pienentäminen.
4 ENTER -näppäin. Tuloarvojen, päivitysten tai näytettävien valikkoasetusten hyväksyminen.	

Tulojen ja lähtöjen asetukset määritetään etupaneelista näppäimistön ja näytön avulla. Käyttöliittymää käytetään tulo- ja lähtöasetusten määrittämiseen, lokitietojen luomiseen, arvojen

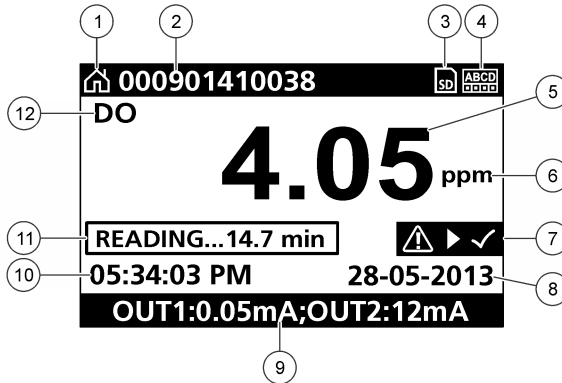
laskemiseen ja anturien kalibroimiseen. SD-käyttöliittymää voidaan käyttää lokien tallentamiseen ja ohjelmiston päivittämiseen.

Näyttö

Kuva 14: esimerkki päämittausnäytöstä ja ohjaimen liitetystä DO-anturista.

Etupaneelin näytössä näkyvät anturin mittaus tiedot, kalibrointi- ja konfigurointiasetukset, virheet, varoitukset ja muut tärkeät tiedot.

Kuva 14 Esimerkki päämittausnäytöstä



1 Aloitusnäytön kuvake	7 Varoitustilapalkki
2 Anturin nimi	8 Päivämäärä
3 SD-muistikortin kuvake	9 Analogisen lähdön arvot
4 Releen tila-ilmais	10 Aika
5 Mittausarvo	11 Tilanneilmais
6 Mittayksikkö	12 Mittausparametri

Taulukko 5 Kuvakkeiden kuvaukset

Kuvake	Kuvaus
Aloitusnäyttö	Tämä kuvake voi vaihdella näytön tai valikon mukaan. Jos laitteessa on esimerkiksi SD-muistikortti, sen kuvake näkyy tässä näytössä käyttäjän ollessa SD Card Setup (SD-kortin asetukset) -valikossa.
SD-muistikortti	Tämä kuvake näkyy vain, jos kortinlukijassa on SD-kortti. Kuvake näkyy vasemmassa yläkulmassa, kun käyttäjä on SD Card Setup (SD-kortin asetukset) -valikossa.
Varoitus	Varoituskuvakkeessa on kolmion sisällä oleva huutomerkki. Varoituskuvakkeet näkyvät päänäytön oikeassa reunassa mittausarvon alla. Painamalla ENTER -näppäintä ja valitsemalla sitten laitteen voit tarkastella siihen liittyviä ongelmia. Varoituskuvake poistuu näytöstä, kun kaikki ongelmat on korjattu tai kuitattu.
Virhe	Virhekuvakkeessa on ympyrän sisällä oleva huutomerkki. Ongelman ilmaantuessa virhekuvake ja mittausnäyttö vilkkuvat vuorotellen päänäytössä. Voit tarkastella virheitä painamalla MENU (Valikko) -näppäintä ja valitsemalla Diagnostics (Vianmääritys) . Laitteeseen liittyviä ongelmia voit tarkastella valitsemalla kyseisen laitteen.

Lisänäyttömuodot

- Voit vaihtaa mittauksen parametreja painamalla päämittausnäytössä **YLÄ**- ja **ALA**-nuolinäppäimiä.

- Paina päämittausnäytössä **OIKEAA** nuolinäppäintä, jos haluat jakaa näytön enintään neljälle mittausparametrille. Painamalla **OIKEAA** nuolinäppäintä voit lisätä mittauksia. Painamalla **VASENTA** nuolinäppäintä voit tarvittaessa siirtyä päämittausnäyttöön.
- Paina päämittausnäytössä **VASENTA** nuolinäppäintä, jos haluat siirtyä graafiseen näyttöön (lisätietoja parametrin määrittämisestä on kohdassa [Graafinen näyttö](#) sivulla 314). Painamalla **YLÄ-** ja **ALA-**nuolinäppäimiä voit vaihtaa mittauskuvaajaa.

Graafinen näyttö

Grafiikka näyttää käytettyjen kanavien konsentraation ja lämpötilan mittaukset. Grafiikka mahdollistaa kehityssuuntien helpon valvonnan ja se näyttää muutokset prosessissa.

1. Valitse kuvaaja graafisessa näytössä ylä- ja alanuolinäppäimillä ja paina **HOME** (Aloituspainike) -näppäintä.
2. Valitse vaihtoehto:

Vaihtoehto	Kuvaus
MEASUREMENT VALUE (MITTAUSARVO)	Aseta valitulle kanavalle mittausarvo. Valitse joko Auto Scale (Automaattinen asteikko) tai Manually Scale (Manuaalinen asteikko). Anna manuaalisessa skaalauksessa minimi- ja maksimimittausarvot
DATE & TIME RANGE (PÄIVÄMÄÄRÄ- JA AIKA-ALUE)	Valitse päivämäärä- ja aika-alue käytettävissä olevista valinnoista

Järjestelmän käynnistäminen

Kun järjestelmä käynnistetään ensimmäisen kerran, Language (Kieli)-, Date Format (Päivämäärän muoto)- ja Date/Time (Päivämäärä/aika) -näytöt avautuvat vuorotellen. Kun asetukset on määritetty, ohjain suorittaa laitehaun, ja näytössä näkyy viesti **Scanning for devices. Please wait...** (Haetaan laitteita. Odota...). Jos uusi laite löydetään, ohjain suorittaa asennusprosessin, ennen kuin mittauksen päänäyttö tulee näkyviin.

Jos laitehaun yhteydessä löydetään aiemmin asennettuja laitteita, joiden määrittämiset eivät ole muuttuneet, sijainnissa 1 olevan laitteen päämittausnäyttö tulee näkyviin heti, kun hakutoiminto päättyy.

Jos jokin laite on poistettu ohjaimesta tai sitä ei löydetä seuraavan käynnistytksen tai laitehaun yhteydessä, ohjaimen näytössä näkyy viesti **Device missing** (Laite puuttuu) ja puuttuvan laitteen poistamiskehoteet.

Jos asennettuun analogiseen moduuliin ei ole liitetty mitään anturia, ohjain näyttää virheilmoituksen. Jos laitteet on liitetty ohjaimen mutta niitä ei löydetä, katso lisäohjeita kohdasta [Vianmääritys](#) sivulla 316.

Kielen, päivämäärän ja ajan asettaminen ensimmäisen kerran

Ohjaimen näytössä näkyvät kieli-, päivämäärä- ja aikanäytöt, kun ohjain käynnistetään ensimmäisen kerran tai kun asetukset on palautettu oletusarvoihin.

Kun kielen, päivämäärän ja ajan asetukset on määritetty ensimmäisen kerran, ne voidaan päivittää tarvittaessa sc200-vahvistimen Setup (Asetukset) -valikossa.

1. Korosta Language (Kieli) -näytön luettelosta haluamasi kieli ja paina **ENTER**-näppäintä. Ohjaimen oletuskielenä on englanti. Valittu kieli tallennetaan. Date Format (Päivämäärän muoto) -näyttö avautuu.
2. Korosta Date Format (Päivämäärän muoto) -näytössä haluamasi muoto ja paina **ENTER**-näppäintä. Päivämäärän ja ajan muoto tallennetaan. Seuraavaksi näyttöön avautuu Date /Time (Päivämäärä/aika) -näyttö.

3. Korosta Date/Time (Päivämäärä/aika) -näytössä haluamasi kenttä painamalla **OIKEAA** tai **VASENTA** nuolipainiketta ja päivitä kentän arvo käyttämällä **ylä-** tai **alenuolipainikkeita**. Päivitä muut kentät tarvittaessa.
4. Paina **ENTER**-näppäintä.
Muutokset tallennetaan, ja ohjain käynnistää laitehaun. Jos ohjain löytää liitettyjä laitteita, se näyttää sijainnin 1 laitteen päämittausnäytön. Jos ohjain ei löydä liitettyjä laitteita, katso lisätietoja kohdasta [Vianmäärittys](#) sivulla 316.

Ohjaimen asetukset


Seuraavassa taulukossa on lisätietoja asetusvaihtoehdoista.

1. Siirry selaamaan valikoita valitsemalla Settings (Asetukset) -valikosta sc200 Setup (sc200:n asetukset).

Vaihtoehto	Kuvaus
Security setup (Turva-asetukset)	Salasanan määrittäminen..
Output setup (Lähtöasetukset)	Ohjaimen analogisten lähtöjen määrittäminen.
Releen asetukset	Ohjaimen releiden määrittäminen.
Näyttöasetukset	Vahvistimen näytön määräitys
Set Date/Time (Aseta päivämäärä/aika)	Ohjaimen ajan ja päivämäärän asettaminen.
Datalog setup (Datalokin asetus)	Datalokin asetusten määrittäminen. Käytettävissä vain, jos Calculation (Laskenta) on määritetty.
Manage Data (Tietojen hallinta)	Voit tarkastella tietoja tai tapahtumalokia valitsemalla laitteen asennettujen osien luettelosta
Error Hold Mode (Virheen pitotila)	Hold Outputs (Lähtöjen pito) —Säilyttää lähdöt viimeisemmissä tunnetussa arvossa, jos ohjaimen ja anturin välinen tietoyhteys katkeaa. Transfer Outputs (Siirrä lähdöt) —Kytkeytyy siirtotilaan, jos ohjaimen ja anturin välinen tietoyhteys katkeaa. Lähdöt siirretään ennalta määritettyyn arvoon.
Calculation (Laskenta)	Vahvistimen laskufunktion määrittäminen
sc200 Information (sc200:n tiedot)	S/W VER (OHJ.VERSIO) :—Näyttää vahvistinohjelmiston nykyisen version Bootloader VER (Käynnistyslataimen VERSIO) :—Näyttää käynnistyslataimen nykyisen version. Käynnistyslatain on tiedosto, joka lataa pääkäyttöjärjestelmän vahvistimeen S/N :—Näyttää vahvistimen sarjanumeron Version (Versio) :— Näyttää vahvistimen nykyisen laiteversion
Discrete Input Setup (Erillisen tulon määräitys)	Kolmen erillisen tulokanavan määräitys
Kieli	Ohjaimen kielen määrittäminen.

2. Valitse asetus ja aktivoi valikko painamalla **ENTER**-painiketta.

Huolto

▲ VAROTOIMI	
	Useita vaaroja. Vain ammattitaitoinen henkilö saa suorittaa käyttöohjeen tässä osassa kuvatut tehtävät.

Ohjaimen puhdistaminen

⚠ VAARA



Varmista aina ennen huoltoa, ettei ohjaimessa ole virtaa.

Huomautus: Älä koskaan puhdistakaan mitään ohjaimen osia syttyvillä tai syövyttävillä liuottimilla. Tällaisten liuottimien käyttäminen saattaa heikentää ohjaimen suojausta ja aiheuttaa takuun raukeamisen.

1. Varmista, että ohjain on suljettu tiiviisti.
2. Pyyhi ohjaimen ulkopinta veteen tai veden ja miedon pesuaineen seokseen kastetulla liinalla.

Vianmääritys

Ongelma	Resoluutio
Ei virtalähtöä	Tarkista virtalähdön määritykset.
	Testaa virtalähtösignaali Test/Maintenance (Testi/ylläpito) -alivalikon avulla. Syötä virta-arvo ja tarkista lähtösignaali ohjaimen liitännöistä.
	Ota yhteys tekniseen tukeen.
Virheellinen virtalähtö	Tarkista virtalähdön määritykset.
	Testaa virtalähtösignaali Test/Maintenance (Testi/ylläpito) -alivalikon avulla. Syötä virta-arvo ja tarkista lähtösignaali ohjaimen liitännöistä. Jos lähtö on virheellinen, tee lähdön kalibrointi.
Rele ei aktivoitu	Varmista, että liitännät on kytketty tiukasti.
	Käytettäessä ulkoista virtalähdettä varmista, että releen johdot on kytketty oikein.
	Varmista, että releen kokoonpano on oikea.
	Testaa releen aktivoituminen Test/Maintenance (Testi/ylläpito) -valikon avulla. Releen virran pitäisi kytkeytyä valittaessa toimintaan ja pois toiminnasta.
	Varmista, että ohjain ei ole kalibrointitilassa ja että rele ei ole jumitutunut.
	Nollaa ylisytön ajastin, jotta voit varmistaa, ettei ajastimen aika ole ylittynyt.
Ohjain ei tunnista SD (Secure Digital) -muistikorttia	Varmista, että SD-kortti on asetettu oikein. Kuparoitujen kosketinpintojen pitäisi olla ohjaimen näyttöä kohti.
	Varmista, että SD-kortti on kunnolla paikoillaan korttipaikassa ja että jousilukitus on kiinni.
	Tarkista, että SD-kortti on alustettu oikein FAT32-muotoon. MMC-muotoa ei tueta. Alusta SD-kortti tietokoneessa noudattamalla kortin valmistajan ohjeita.
	Varmista, että kortti on enintään 32 Gt:n suuruinen.
	Varmista, että SD-kortti on käytössä. Muut korttityypit (esimerkiksi xSD, micro SD tai mini SD) eivät toimi kunnolla.

Ongelma	Resoluutio
Tiedot eivät tallennu oikein SD-kortille.	Tarkista, että SD-kortti on alustettu oikein FAT32-muotoon. MMC-muotoa ei tueta. Alusta SD-kortti tietokoneessa noudattamalla kortin valmistajan ohjeita.
	Jos SD-korttia on käytetty aiemmin, alusta kortti käyttämällä FAT32-muotoa, asenna kortti ohjaimen ja kokeile tiedostojen lataamista.
	Kokeile toista SD-korttia.
SD-kortti täynnä	Lue SD-kortti tietokoneesta tai muussa kortinlukulaitteessa. Tallenna tärkeät tiedostot ja poista sitten joitakin tiedostoja tai kaikki tiedostot SD-kortilta.
Ohjain ei löydä ohjelmistopäivityksiä SD-kortilta	Varmista, että oikea kansio on luotu, asentamalla SD-kortti ohjaimen. Järjestelmä luo päivityskansion automaattisesti.
	Asenna SD-kortti tietokoneeseen ja varmista, että ohjelmistotiedostot ovat oikeassa päivityskansiossa.
	Jos samaa SD-korttia käytetään useissa eri ohjaimissa, jokaisella ohjaimella on erillinen kansio järjestelmässä. Varmista, että ohjelmistopäivitykset ovat kyseisen ohjaimen kansiossa.
Näytön valo palaa, mutta näytössä ei näy merkkejä tai merkit ovat himmeitä tai epäselviä.	Näytön kontrastin säätäminen
	Varmista, että näytön suojaumuovi on poistettu.
	Puhdista ohjaimen ulkopuoli, mukaan lukien näyttöruutu.
Ohjaimen virta ei käynnisty tai virransyöttö on epätasaista.	Varmista, että vaihtovirtaliitännät on päätetty oikein ohjaimessa.
	Varmista, että virtajohto, verkkovirta ja seinäpistoke on kytketty oikein.
	Ota yhteys tekniseen tukeen
Verkkoa tai anturimoduulia ei tunnisteta	Varmista, että moduuli on asennettu oikein.
	Varmista, että moduulin valintakytkimen numero on oikein.
	Poista anturimoduuli ja asenna moduuli toiseen analogiseen liitäntään. Käynnistä ohjaimen virransyöttö ja odota, että ohjain suorittaa laitehaun.
	Ota yhteys tekniseen tukeen.
Anturia ei tunnisteta <i>Huomautus: Esimerkki näytön viestistä: ****</i>	Jos anturi on analoginen anturi ja ohjaimen on asennettu vastaava moduuli, katso lisätietoja verkko- tai anturimoduulin mukana toimitetuista ohjeista.
	Varmista, että digitaaliohjaimen johtosarja on luukkukoonpanon sisäpuolella ja että johtosarja ei ole vaurioitunut.
	Jos digitaalianturi on liitetty ohjaimen käyttämällä digitaalista pääterasiasia, käyttäjän liitäntärasiasia, digitaalisia jatkokaapeleita tai käyttäjän jatkojohtoa, kytke anturi suoraan ohjaimen ja suorita laitehaku. Jos ohjain tunnistaa anturin, tarkista, että kaikki liitäntärasioiden johdot tai jatkokaapelit on liitetty oikein.
	Tarkista, että ohjaimen on asennettu vain kaksi anturia. Vaikka käytettävissä on kaksi analogista moduuliporttia, ohjain tunnistaa vain kaksi kolmesta laitteesta, jos järjestelmään on asennettu digitaalianturi ja kaksi analogista moduulia.
	Ota yhteys tekniseen tukeen

Ongelma	Resoluutio
Laitte puuttuu ja näytössä näkyy virheilmoitus	Suorita laitehaku Test/Maintenance (Testi/ylläpito) -valikossa.
	Sammuta ohjain ja kytke siihen sitten virta uudelleen.

Съдържание

Спецификации на страница 319

Обща информация на страница 320

Инсталиране на страница 323

Потребителски интерфейс и навигация
на страница 339

Стартиране на системата на страница 341

Поддръжка на страница 342

Отстраняване на повреди на страница 343

Допълнителна информация

Допълнителна информация е налице на уебсайта на производителя.

Спецификации

Спецификациите могат да се променят без уведомяване.

Спецификация	Подробности
Описание на компонентите	Работещ с микропроцесор и менюта контролер, който управлява сензора и отчита измерените стойности.
Работна температура	-20 до 60 °C (-4 до 140 °F); 95% относителна влажност, без конденз при натоварване на сензора от <7 W; -20 до 50 °C (-4 to 104 °F) при натоварване на сензора <28 W
Температура на съхранение	от -20 до 70°C (от -4 до 158°F); 95% относителна влажност, без конденз
Корпус ¹	Метален корпус NEMA 4X/IP66 с антикорозионен финиш
Изисквания към захранването	Контролер с AC електрическо захранване: 100-240 VAC ±10%, 50/60 Hz; Мощност 50 VA с датчик/натоварване на мрежов модул от 7 W, 100 VA с датчик/натоварване на мрежов модул от 28 W (допълнителен Modbus, RS232/RS485, Profibus DPV1 или мрежова връзка HART). Контролер с 24 VDC електрическо захранване: 24 VDC—15%, + 20%; Мощност 15 W с датчик/натоварване на мрежов модул от 7 W, 40 W с датчик/натоварване на мрежов модул от 28 W (допълнителен Modbus, RS232/RS485, Profibus DPV1 или мрежова връзка HART).
Изисквания за надморска височина	Стандарт 2000 м (6562 ft) ASL (над морското равнище)
Степен на замърсяване/категория на инсталация	Степен на замърсеност 2; Категория инсталация II
Изходи	Два аналогови изхода (0-20 mA от 4-20 mA). Всеки аналогов изход може да бъде присвоен с цел да се представи измерен параметър от типа на pH, температура, дебит или изчислени стойности. Допълнителният модул осигурява три допълнителни аналогови изхода (общо 5).
Релета	Четири SPDT, конфигурирани от потребителя контакта, с оценка 250 VAC, 5 Amp с максимално съпротивление за променливотоков контролер и 24 VDC, 5A с максимално съпротивление за за правотоковия контролер. Релетата са създадени за свързване към вериги с променливо захранване (т.е. когато контролерът работи при 115 - 240 VAC) или постоянно токови вериги (т.е. когато контролерът работи при постоянно захранване 24 VDC).
Размери	½ DIN—144 x 144 x 180,9 мм (5,7 x 5,7 x 7,12 инча.)
Тегло	1,7 кг (3,75 lb)

Спецификация	Подробности
Информация за съвместимост ²	Одобрен за знак CE (при всички типове сензори) Посочен за използване на общи места от стандартите за безопасност UL и CSA по ETL (за всички типове сензори) Определени модели с променливотоково хранване са вписани за употреба на стандартните обезопасени места съгласно UL и CSA стандартите за безопасност на Underwriters Laboratories (за всички типове датчици).
Цифрова комуникация	Допълнителен Modbus, RS232/RS485, Profibus DPV1 или мрежова връзка HART за пренос на данни
Регистрация на данни	Защитена цифрова карта (максимално 32 ГБ) или специален кабелен конектор RS232 за въвеждане на данни и извършване на софтуерни актуализации. Контролерът ще запази около 20000 позиции за данни във всеки датчик.
Гаранция	2 години

¹ Единици, които притежават сертификация от Underwriters Laboratories (UL), са предназначени за употреба само на закрито и не разполагат с оценка NEMA 4X/IP66.

² Включените модули не са вписани от UL.

Обща информация

При никакви обстоятелства производителят няма да носи отговорност за преки, непреки, специални, инцидентни или последващи щети, които са резултат от дефект или пропуск в това ръководство. Производителят си запазва правото да прави промени в това ръководство и в описаните в него продукти във всеки момент и без предупреждение или поемане на задължения. Коририраните издания можете да намерите на уебсайта на производителя.

Информация за безопасността

Забележка

Производителят не носи отговорност за никакви повреди, възникнали в резултат на погрешно приложение или използване на този продукт, включително, без ограничения, преки, случайни или възникнали впоследствие щети, и се отхвърля всяка отговорност към такива щети в пълната позволена степен от действащото законодателство. Потребителят носи пълна отговорност за установяване на критични за приложението рискове и монтаж на подходящите механизми за подсигуриране на процесите по време на възможна неизправност на оборудването.

Моля, внимателно прочетете ръководството преди разопаковане, инсталиране и експлоатация на оборудването. Обръщайте внимание на всички твърдения за опасност и предпазливост. Пренебрегването им може да има за резултат сериозни наранявания на оператора или повреда на оборудването.

(Уверете се, че защитата, осигурена от това оборудване, не е занижена. Не го използвайте и не го монтирайте по начин, различен от определения в това ръководство.

Използване на информация за опасностите

▲ ОПАСНОСТ

Показва наличие на потенциална или непосредствена опасна ситуация, която ако не бъде избегната, ще предизвика смъртоносно или сериозно нараняване.

▲ ПРЕДУПРЕЖДЕНИЕ

Указва потенциално или непосредствено опасна ситуация, която, ако не бъде избегната, може да доведе до смърт или сериозно нараняване.

▲ ВНИМАНИЕ





Показва наличие на потенциално опасна ситуация, която може да предизвика леко или средно нараняване.

Забележка

Показва ситуация, която ако не бъде избегната, може да предизвика повреда на инструмента. Информация, която изисква специално изтъкване.

Предупредителни надписи

Прочетете всички надписи и етикети, поставени на инструмента. Неспазването им може да доведе до физическо нараняване или повреда на инструмента. Символът върху инструмента е описан в ръководството с препоръка за повишено внимание.

	Ако е отбелязан върху инструмента, настоящият символ означава, че е необходимо да се направи справка с ръководството за работа и/или информацията за безопасност.
	Този символ показва, че съществува риск от електрически удар и/или късо съединение.
	Този символ обозначава наличието на устройства, които са чувствителни към електростатичен разряд (ESD) и посочва, че трябва да сте внимателни, за да предотвратите повреждането на оборудването.
	След 12 август 2005 г. електрическо оборудване, маркирано с този символ, не може да бъде изхвърляно в обществените сметища в Европа. В съответствие с Европейските местни и национални разпоредби (Директива 2002/96/ЕО на ЕС) европейските потребители на електрическо оборудване трябва да връщат старото или употребено оборудване на производителя за унищожаване без заплащане на такса от потребителя.

Сертификация

Канадски стандарт за оборудване, предизвикващо смущения, IEC5-003, Клас ml:

Поддържането на тестовите записи е задължение на производителя.

Тази цифрова апаратура от Клас А съответства на всички изисквания на канадските нормативни документи относно оборудването причиняващо смущения.

Cet appareil numérique de classe A répond à toutes les exigences de la réglementation canadienne sur les équipements provoquant des interférences.

FCC (Федерална комисия по комуникациите) ЧАСТ 15, гранични стойности клас "А"

Поддържането на тестовите записи е задължение на производителя Това устройство съответства на Част 15 от правилата на FCC. Работата му съответства на следните условия:

1. Оборудването не може да причинява вредни смущения.
2. Оборудването трябва да поема всички получени смущения, включително такива, които могат да причинят нежелан начин на работа.

Промени или модификации на това оборудване, които не са изрично одобрени от страните, отговорни за неговата съвместимост, могат да доведат до анулиране на правото за експлоатация на оборудването. Оборудването е тествано, като е установена неговата съвместимост с ограниченията за цифрово устройство клас "А", в съответствие с част 15 от правилника на FCC. Тези ограничения са предназначени да осигурят разумна защита срещу вредните смущения при работа на оборудването в търговско обкръжение. Оборудването генерира, използва и може да излъчва радиочестотна енергия и, в случай че не бъде инсталирано и експлоатирано в съответствие с ръководството за употреба, може да предизвика неблагоприятни смущения на радиокомуникациите. Има вероятност работата на това оборудване в жилищни зони да доведе до вредни смущения, в който случай ще бъде необходимо да отстрани тези смущения за своя сметка. За намаляване на проблемите със смущенията можете да използвате следните методи:

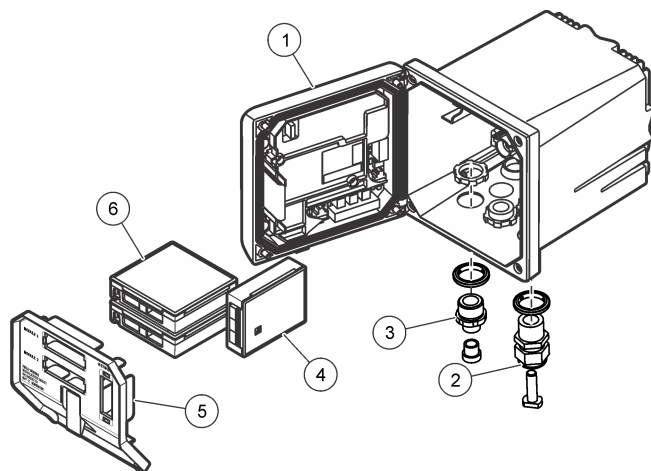
1. Изключете оборудването от захранването, за да проверите дали той е източник на смущенията или не.
2. Ако оборудването и устройството, в което се проявяват смущенията, са свързани към един и същи контакт, свържете оборудването към друг контакт.
3. Отдалечете оборудването от устройството, приемащо смущенията.
4. Преместете приемната антена на устройството, което има смущения.
5. Опитайте да приложите комбинация от горните мерки.

Общ преглед на продукта

Контролерът показва измереното от сензора и други данни. Може да предава аналогови и цифрови сигнали и да взаимодейства и управлява други устройства посредством изходите и релетата. Изходите, релетата, сензорите и сензорните модули се конфигурират и калибрират с помощта на потребителския интерфейс от предната страна на контролера.

Фигура 1 показва компонентите на продукта. Компонентите могат да се различават в зависимост от конфигурацията на контролера. Свържете се с производителя, ако има липсващи или повредени части.

Фигура 1 Системни компоненти



1 Контролер	4 Мрежов модул (опция)
2 Сглобка на обтегача (опция, в зависимост от версията на контролера)	5 Високоволтова бариера
3 Фитинг за цифрова връзка (опция, в зависимост от версията на контролера)	6 Сензорни модули (опция)

Сензори и сензорни модули

Контролерът може да работи с максимум два сензорни модула или два цифрови сензора (в зависимост от конфигурацията), един аналогов и един комуникационен модул. Можете да инсталирате комбинация от един цифров сензор и един сензорен модул. Към сензорните модули могат да бъдат свързвани различни сензори. Информацията за опроводяване на сензорите се дава в ръководствата на отделните сензори и в инструкциите за потребителя към съответните сензорни модули.

Релейни изходи и сигнали

Контролерът има четири позволяващи конфигуриране релейни превключвателя и два аналогови изхода. Модулът на оптичния аналогов изход може да увеличи броя на аналоговите изходи до пет.

Сканиране за устройства

С две изключения контролерът автоматично сканира за свързани устройства при включването си, без да е необходима намеса от потребителя. Първото изключение е когато контролерът се включва за първи път. Второто изключение се отнася за случая след установяване на настройките за конфигурация на контролера на подразбиращите се стойности и включване на контролера. И в двата случая контролерът първо показва екрани за редактиране на езика, датата и времето. След като въведените стойности за език, дата и час бъдат приети, контролерът ще извърши търсене на устройство. За допълнителни инструкции относно начина на търсене на устройства, след като контролерът вече е включен, разгледайте [Свързване на цифров сензор sc](#) на страница 337 .

Корпус на контролера

Корпусът на контролера е оразмерен според NEMA 4X/IP66 и има покритие за устойчивост на корозия, създадено да издържа при благоприятстващи корозия условия, като впръскване на соли и водородни сулфиди. При използване навън се препоръчва защита срещу свързани с околната среда повреди.

Забележка: Единици, които притежават сертификация от Underwriters Laboratories (UL), са предназначени за употреба само на закрито и не разполагат с оценка NEMA 4X/IP66.

Опции за монтиране на контролера

Контролерът може да бъде монтиран на панел, на стена или във вертикална или хоризонтална тръба. За намаляване на вибрациите се препоръчва използване на неопреново уплътнение. Уплътнението може да се използва като подложка на панела, преди разделяне на вътрешния му компонент.

Инсталиране

Монтаж на компонентите и размери

▲ ВНИМАНИЕ

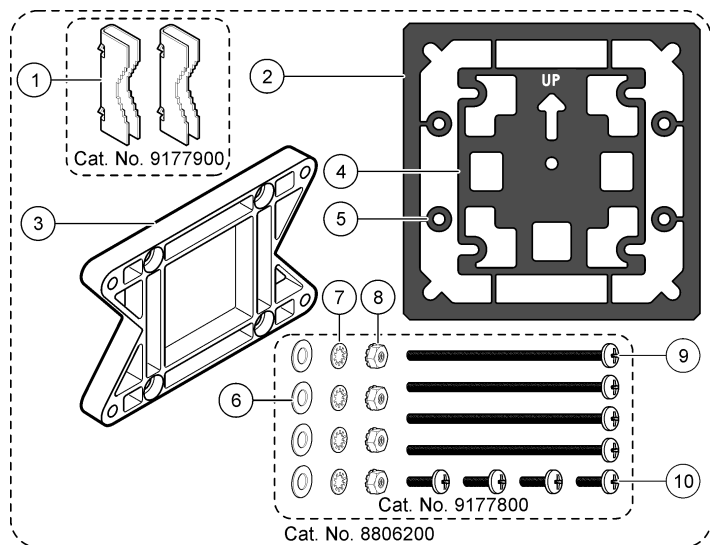
Опасност от нараняване. Задачите, описани в този раздел на ръководството, трябва да се извършват само от квалифициран персонал.

Контролерът може да се монтира върху повърхност, панел или тръба (хоризонтално или вертикално). Опциите за монтаж и инструкции са дадени в [Фигура 2](#), [Фигура 3](#) на страница 325, [Фигура 4](#) на страница 326, [Фигура 5](#) на страница 327 и [Фигура 6](#) на страница 328.

При монтаж в хоризонтална тръба монтажният крак ([Фигура 2](#)) трябва да бъде закрепен към монтажната скоба във вертикално положение.

При хоризонталния и вертикалния монтаж, прикрепете монтажната скоба към контролера, както е показано на [Фигура 5](#) на страница 327.

Фигура 2 Монтаж на компоненти

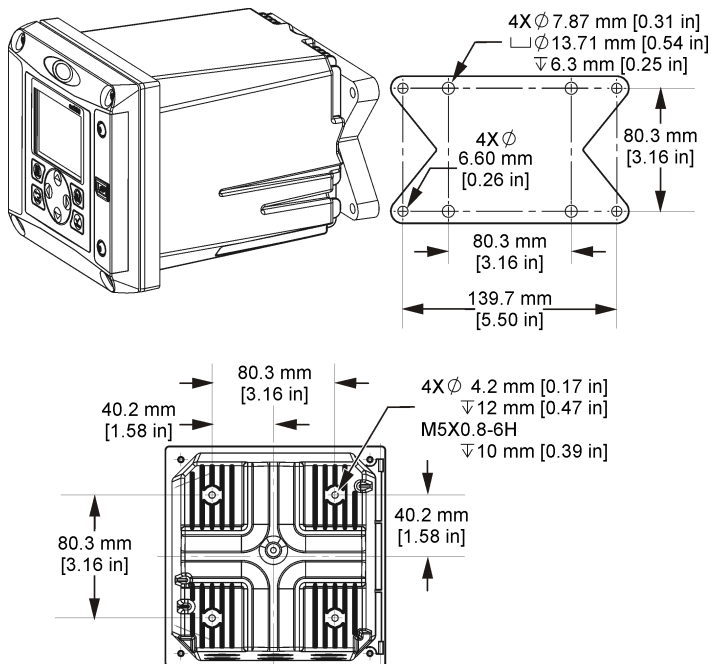


1 Монтажен крак (2x)	6 Плоска шайба, ¼-инча ИД (4x)
2 Уплътнение за монтаж на панел, неопрен	7 Контрашайба, ¼-инча ИД (4x)
3 Скоба за монтаж в тръба и на стена	8 М5 x 0.8 шестостенни винта на Кепс (4x)
4 Уплътнение за изолиране на вибрациите при монтаж в тръба	9 Винтове с цилиндрични глави, М5 x 0.8 x 100mm (4x) (Използват се при инсталации в тръби с променлив диаметър)
5 Шайба за изолиране на вибрациите при монтаж в тръба (4x)	10 Винтове с цилиндрични глави, М5 x 0.8 x 15 mm (4x)

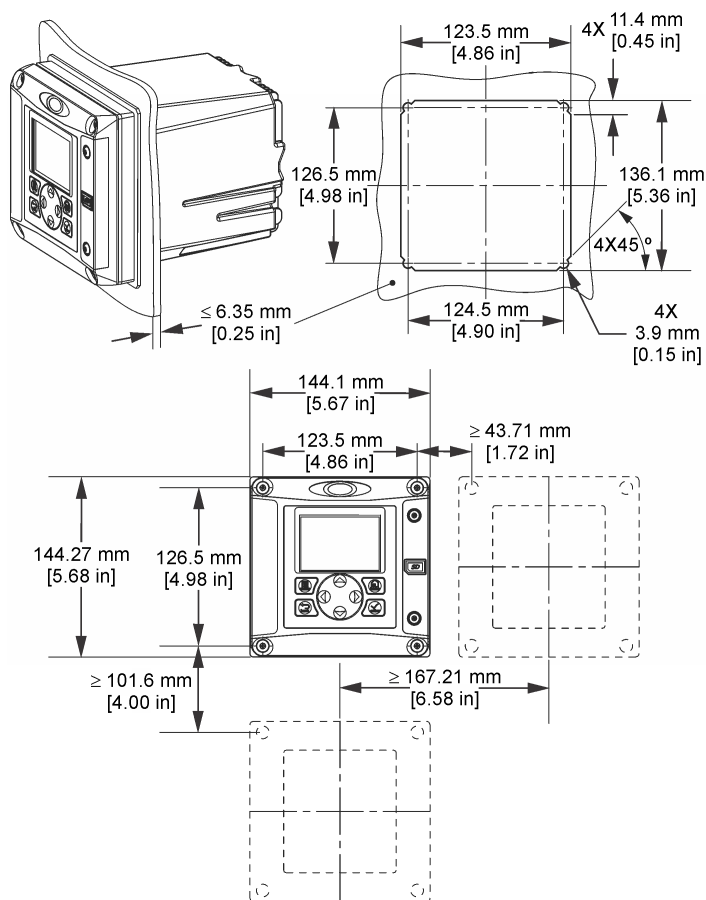
Забележка: Скобата за монтиране на панела се предоставя като допълнителен аксесоар.

Монтаж на контролера

Фигура 3 Размери на повърхностно окачване

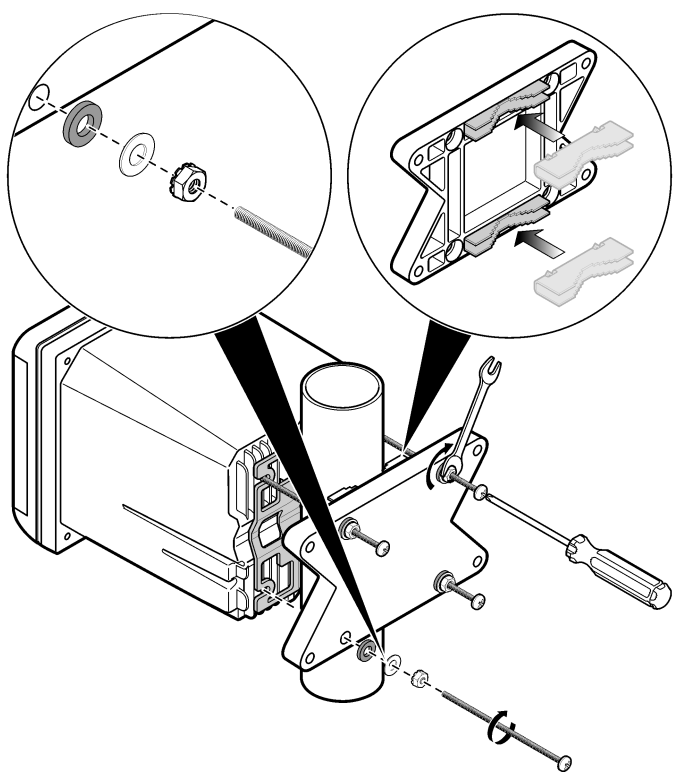


Фигура 4 Размери на панелно окачване

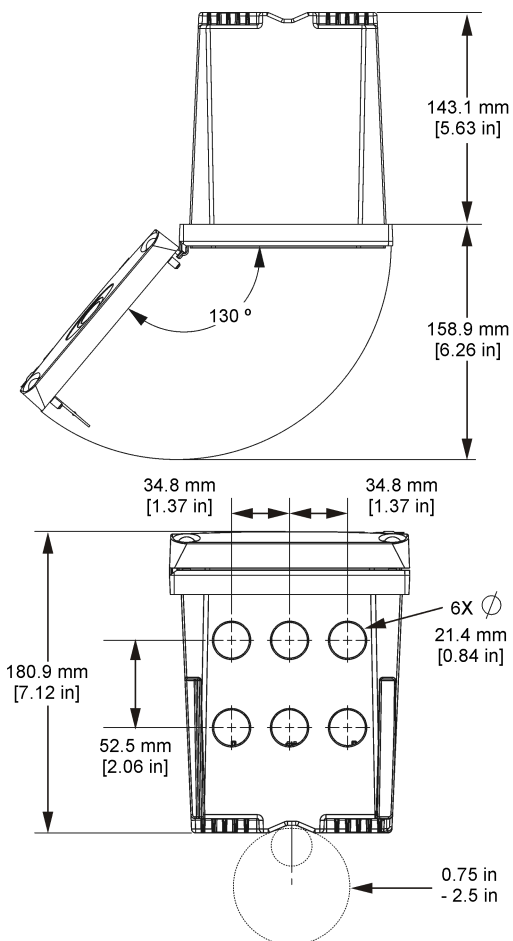


Забележка: Ако използвате скобата (опционална) за монтиране на панела, пхнете контролера в отвора на панела, след което плъзнете скобата над контролера на задната част на панела. Използвайте четирите 15-милиметрови винтове с цилиндрични глави (включени) за прикачване на скобата към контролера и прикрепяне на контролера към панела.

Фигура 5 Монтаж в тръба (вертикална тръба)



Фигура 6 Горен и долен изглед



Високоволтова бариера

Високоволтовото опроводяване на контролера се намира зад високоволтовата бариера в корпуса. Бариерата трябва да остане на място с изключение на случаите на инсталиране на модули или при прокарване на захранващи или алармени кабели, изводи или релета от квалифициран монтажен техник. Не отстранявайте бариерата при включено към контролера захранване.

Съображения, свързани с (ESD) електростатичния разряд

Забележка



Опасност от повреда на инструмента. Чувствителните вътрешни електронни компоненти могат да се повредят от статичното електричество, което да доведе до влошаването на характеристиките или до евентуална повреда.

С цел да предотвратите ESD повреда на инструмента, разгледайте стъпките, представени в тази процедура.

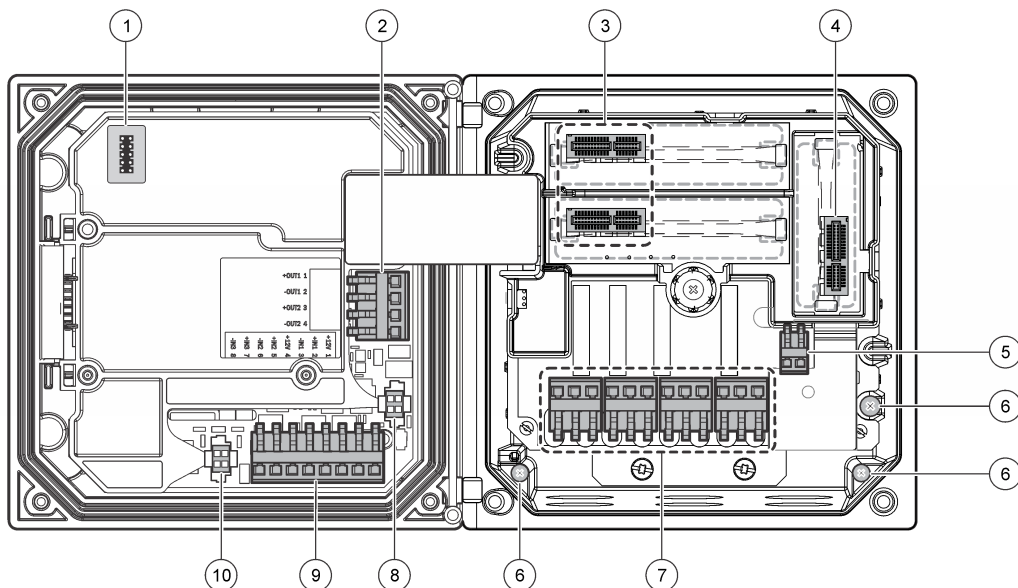
- Докоснете заземена метална повърхност, например корпуса на инструмент, метален проводник или тръба с цел освобождаване на статичното електричество от тялото.
- Избягвайте прекомерно движение. Транспортирайте компоненти, чувствителни към статично електричество в антистатични контейнери или пакети.
- Носете каишка за китката, свързана с кабел към заземена връзка.
- Носете на място без чувствителност към статично електричество с антистатични подови подложки и работни подложки.

Изглед на опроводяването

Фигура 7 показва изглед на връзките на проводниците в контролера при отстранена високоволтова бариера. Лявата страна на фигурата показва задната страна на капачката на контролера.

Забележка: Отстранете капачката от конектора преди инсталирането на модула.

Фигура 7 Общ преглед на връзките за окабеляване



1 Връзки на обслужващия кабел	5 Конектор за постоянен и променливо захранващо напрежение ¹	9 Конектор за проводник на дискретното въвеждане ¹
2 Извод 4-20 mA ¹	6 Заземителна клеми	10 Конектор за цифров сензор ¹
3 Конектор на сензорния модул	7 Релейни връзки ¹	
4 Конектор на комуникационен модул (например, Modbus, Profibus, HART, по избор 4-20 mA модул и др.)	8 Конектор за цифров сензор ¹	

¹ За по-добър достъп терминалите може да се отстранят.

Захранващи електрически връзки

▲ ПРЕДУПРЕЖДЕНИЕ



Опасност от електрически удар. Винаги изключвайте захранването на инструмент, когато извършвате електрическо свързване.

▲ ПРЕДУПРЕЖДЕНИЕ



Опасност от електрически удар. Ако това оборудване се използва на открито или на потенциално мокри места, трябва да се използва устройство за **изключване при късо съединение** за свързване на оборудването към основния захранващ източник.

▲ ОПАСНОСТ



Опасност от токов удар. Не свързвайте променлив ток към модел с 24 VDC захранване.

▲ ПРЕДУПРЕЖДЕНИЕ



Опасност от електрически удар. Необходимо е защитно заземяване (PE) както за 100-240 VAC, така и за 24 VDC кабелни приложения. Неизползването на добро защитно PE заземяване може да доведе до опасност от електрически удар и лоши характеристики поради електромагнитните смущения. ВИНАГИ свързвайте добро PE заземяване към извода на контролера.

Забележка

Монтирайте устройството на място и в положение, които осигуряват лесен достъп за изключване на устройството и за работата му.

Можете да закупите контролера като модел със захранване 100-240 VAC или като модел със захранване 24 VDC. Следвайте съответните инструкции за опроводяване за закупения модел.

Контролерът може да се опроводи за линейно захранване чрез твърда връзка в кабелна кутия или със захранващ кабел. Независимо от използвания начин на опроводяване, връзките са изведени на едни и същи клеми. Необходимо е да се направи локално изключване с цел съблюдаване на местните нормативни документи за безопасност на електрическия ток, което трябва да бъде идентифицирано за всички типове електрически инсталации. При приложения с твърза връзка падовете във веригите на захранването и защитното заземяване на инструмента трябва да бъдат 18 до 12 AWG.

Забележки:

- Напрежителната бариера трябва да се премахне преди да направите електрическите връзки. След като направите всички връзки, върнете на място напрежителната бариера, преди да затворите капака на контролера.
- Херметизиращият отбегач и захранващият кабел с дължина по-малка от 3 метра (10 фута) с три 18-жилни проводника (включително заземителен проводник) могат да се използват за поддръжка на номиналните стойности за среда NEMA 4X/IP66.
- Контролерите могат да бъдат поръчани с предварително инсталирани кабели за променливо напрежение. Могат да се поръчат и допълнителни захранващи кабели.
- Източникът на постоянно напрежение, доставян с постояннотоковите контролери 24 VDC трябва да поддържа напрежението в границите от 24 VDC -15% +20%. Източникът на постоянно напрежение трябва да осигурява и достатъчна защита срещу импулси и смущения по линията.

Процедура за опроводяване

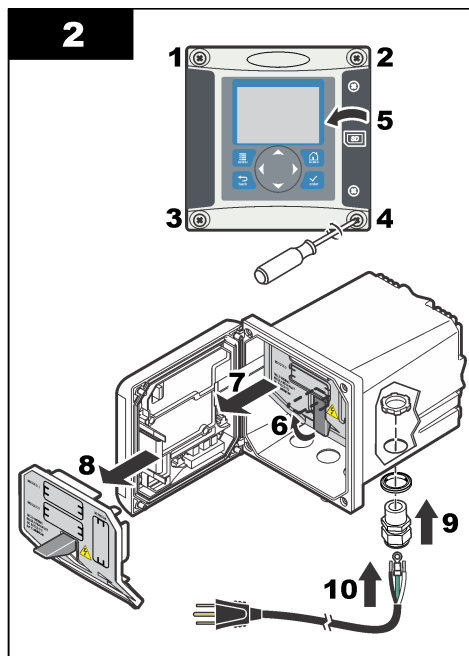
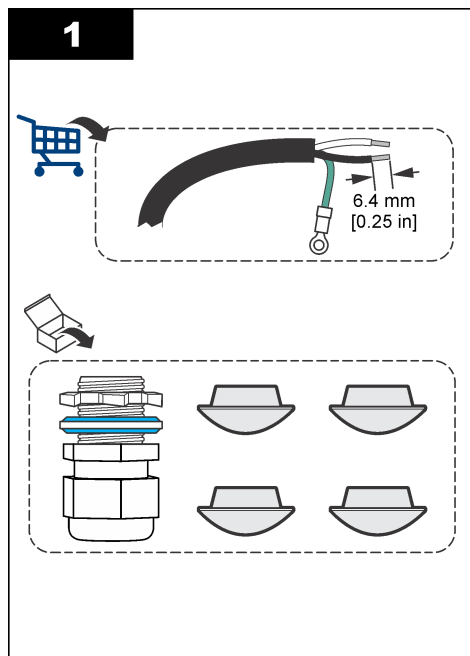
Разгледайте илюстрираните стъпки, които следват и [Таблица 1](#) или [Таблица 2](#), за да свържете контролера към източник на захранване. Въмкнете проводника в съответната клемма и се уверете, че изолацията е срещу конектора, без да се вижда жилото на проводника. След като го въмкнете, дръпнете внимателно, за да се уверите, че сте установили сигурна връзка. Запушете всички неизползвани отвори в кутията на контролера със затварящи пробки за отвори на тръбопроводи.

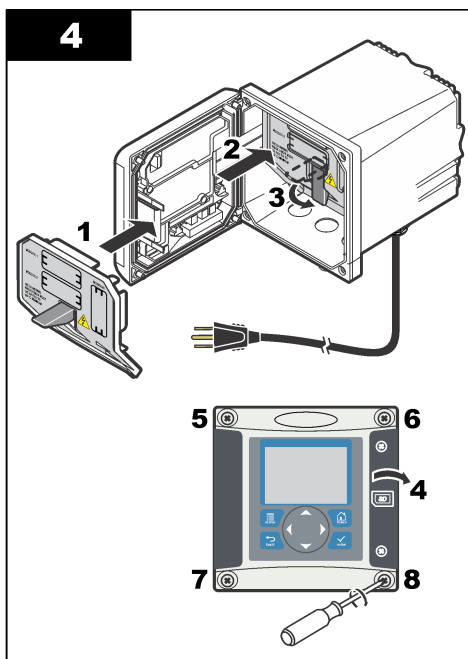
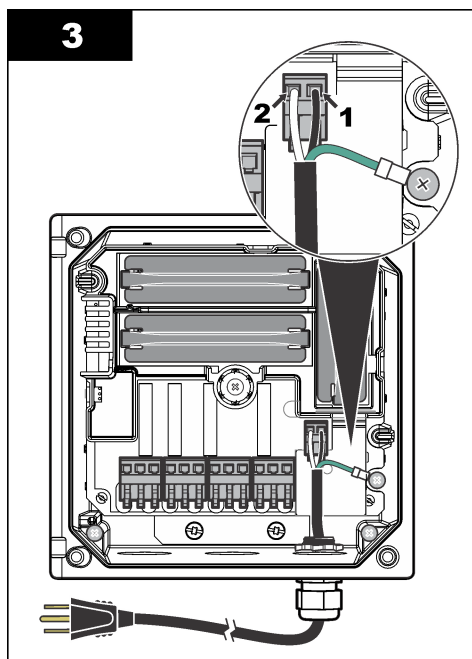
Таблица 1 Информация за опроводяване при променливо захранване (само за моделите с променливо захранване)

клема	Описание	Цвят - Северна Америка	Цвят - ЕС
1	Горещо (L1)	Черен	Кафяв
2	Неутрално (N)	Бял	Син
—	Заземителен прът на защитната земя (PE)	Зелен	Зелен с жълта лента

Таблица 2 Информация за опроводяване при захранване с постоянно напрежение (само за модели с постоянно напрежение)

клема	Описание	Цвят - Северна Америка	Цвят - ЕС
1	+24 V постоянен ток	Червен	Червен
2	24 VDC връщане	Черен	Черен
—	Заземителен прът на защитната земя (PE)	Зелен	Зелен с жълта лента





Аларми и релета

Контролерът е оборудван с четири незахранени релета с един полюс с номинални стойности 100-250 VAC, 50/60 Hz, 5 амр съпротивителен максимум. Контактите са с номинални стойности 250 VAC, 5 амр съпротивителен максимум за променливотоков контролер и 24 VDC, 5A съпротивителен максимум за постоянотоков контролер. Релетата не са оразмерени за индуктивни натоварвания.

Опроводяване на релетата

▲ ПРЕДУПРЕЖДЕНИЕ



Опасност от електрически удар. Винаги изключвайте захранването на инструмент, когато извършвате електрическо свързване.

▲ ПРЕДУПРЕЖДЕНИЕ



Опасност от пожар. Контактите на релето са оразмерени за 5А и нямат предпазители. Свързаните външни товари към релетата трябва да имат ограничаващи тока устройства с възможност за ограничаването му < 5 А.

▲ ПРЕДУПРЕЖДЕНИЕ



Опасност от пожар. Не включвайте последователно общите връзки на релета или съединителни проводници от захранващите връзки в инструмента.

▲ ПРЕДУПРЕЖДЕНИЕ



Опасност от електрически удар. За да спазите номиналните стойности за средата на NEMA/IP на корпуса, използвайте само тръбни фитинги и кабелни кутии за прокарване на кабелите до инструмента, които удовлетворяват поне NEMA 4X/IP66.

Контролери с променливо захранване (100—250 V)

Отделението за проводниците не е създадено за свързване на по-голямо от 250VAC напрежение.

Захранвани от 24 VDC контролери

▲ ПРЕДУПРЕЖДЕНИЕ



Опасност от електрически удар. Контролерите с променливотоково захранване (115 V–230 V) са предназначени за релейен тип връзки към променливотокови електрически вериги (т.е. при напрежение над 16 V-RMS, 22.6 V-PEAK или 35 VDC).

▲ ПРЕДУПРЕЖДЕНИЕ



Опасност от електрически удар. Контролерите със захранване от 24 V са предназначени за релейни връзки с вериги с ниско напрежение (т.е. при напрежение под 16 V-RMS, 22.6 V-PEAK или 35 VDC).

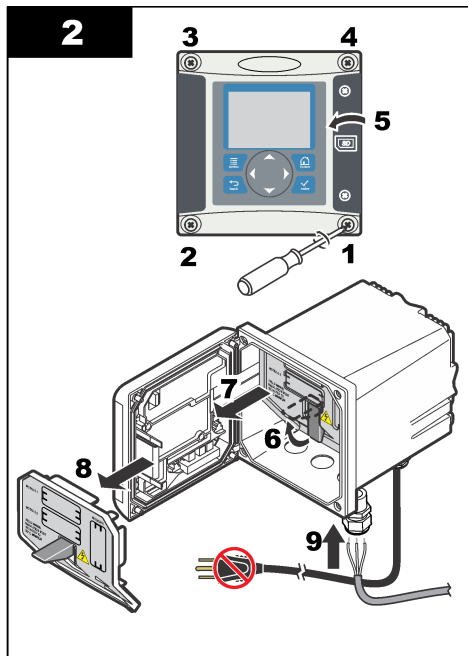
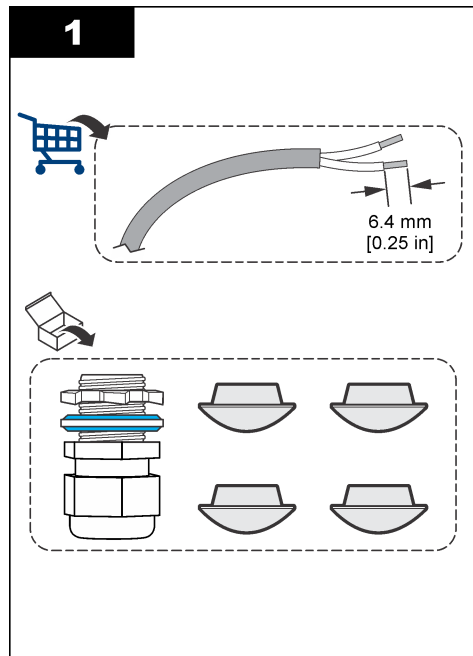
Релетата на контролера 24 VDC са предназначени за свързване с нисковолтови инсталации (т.е. такива с напрежение под 30 V-RMS, 42.2 V-ПИКОВА МОЩНОСТ или 60 VDC).

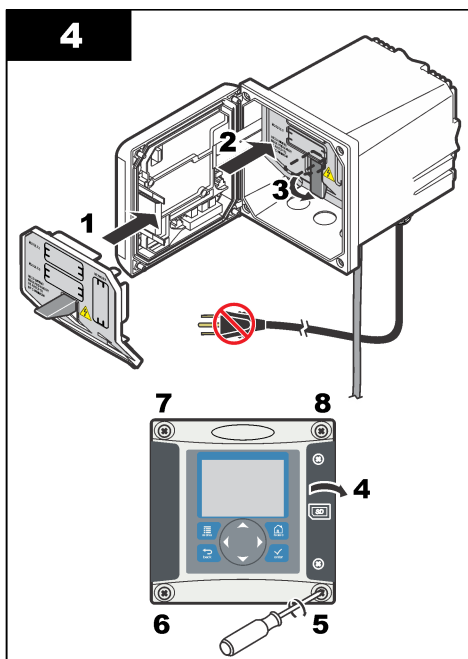
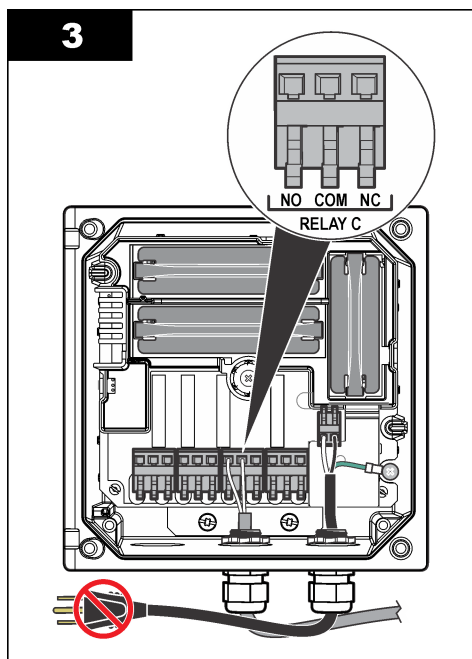
Отделението за проводниците не е създадено за свързване на напрежения над тези нива.

съединителят на релето може да приеме проводник с 18–12 AWG (в зависимост от приложението, което служи за товар). Не се препоръчва използване на проводник с размер под 18 AWG.

Контактите на релето "Нормално затворено" (NC) и "Общ" (COM) се свързват при аларма или друго активно условие. Контактите на релето "Нормално отворено" (NO) и "Общ" се свързват при неактивност на аларма или друго условие (освен ако е зададена стойност "Yes" (Да) за условието "Fail Safe" (Напълно надежден)) или при отстраняване на захранването от контролера.

Повечето релейни връзки използват клемите NO и COM или NC и COM. Номерираните стъпки за инсталиране показват свързване към клемите NO и COM.





Връзки на аналоговия изход

▲ ПРЕДУПРЕЖДЕНИЕ



Опасност от електрически удар. Винаги изключвайте захранването на инструмент, когато извършвате електрическо свързване.

▲ ПРЕДУПРЕЖДЕНИЕ



Опасност от електрически удар. За да спазите номиналните стойности за средата на NEMA/IP на корпуса, използвайте само тръбни фитинги и кабелни кутии за прокарване на кабелите до инструмента, които удовлетворяват поне NEMA 4X/IP66.

Предлагат се два изолирани аналогови извода (1 и 2) (Фигура 8). Тези изводи обикновено се използват за аналогови сигнали или за управление на други външни устройства.

Свържете връзките на проводниците към контролера, както е показано на Фигура 8 и Таблица 3.

Забележка: Фигура 8 показва задната част на капака на контролера, а не вътрешната част на отделението на контролера.

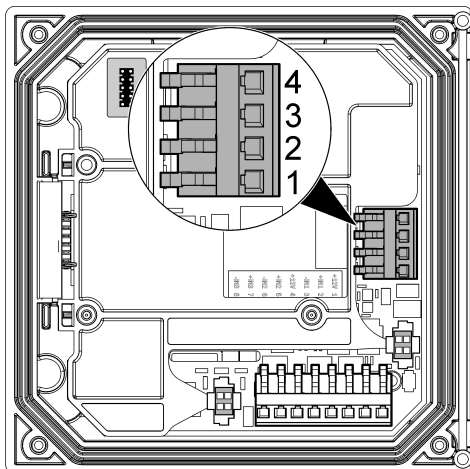
Таблица 3 Връзки на изводите

Проводници на записващото устройство	Разположение на печатната платка
Изход 2-	4
Изход 2+	3
Изход 1-	2
Изход 1+	1

1. Отворете капака на контролера.
2. Прокарайте проводниците през механизма за разхлабване на обтегача

3. Регулирайте проводниците и стегнете обтегача.
4. Направете връзките с екранирани двужилни проводници и свържете екранирания край към контролера или към края на контролния контур.
 - Не свързвайте екранираната част към двата края на кабела.
 - Използването на неекраниран кабел може да доведе до наличие на радиочестотни емисии или по-високи от допустимите нива на чувствителност.
 - Максималното съпротивление на контура е 500 ohm.
5. Затворете капака на контролера и го стегнете с винтове.
6. Конфигурирайте изводите в контролера.

Фигура 8 Връзки на аналоговия изход



Връзки на проводниците за дискретни въвеждания

▲ ПРЕДУПРЕЖДЕНИЕ



Опасност от електрически удар. Винаги изключвайте захранването на инструмент, когато извършвате електрическо свързване.

▲ ПРЕДУПРЕЖДЕНИЕ



Опасност от електрически удар. За да спазите номиналните стойности за средата на NEMA/IP на корпуса, използвайте само тръбни фитинги и кабелни кутии за прокарване на кабелите до инструмента, които удовлетворяват поне NEMA 4X/IP66.

Предоставят се три дискретни въвеждания за въвеждания с прекъсвачи за затваряне или логически въвеждания според нивото на напрежение. Създайте връзки на проводниците и конфигурирайте съединителния проводник, както е показано на [Фигура 9](#), [Таблица 4](#) и [Фигура 10](#).

Забележка: [Фигура 9](#) показва задната част на капака на контролера, а не вътрешната част на отделението на контролера.

Фигура 9 Връзки на проводниците за дискретни въвеждания

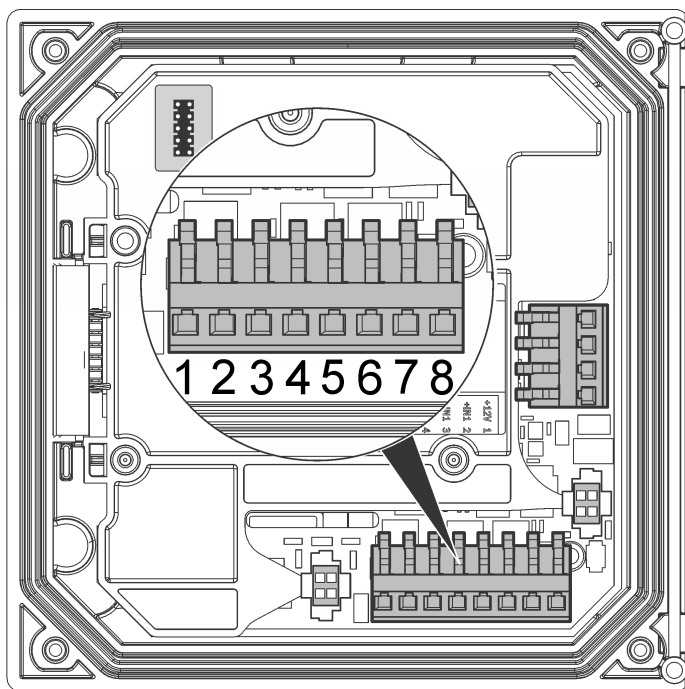
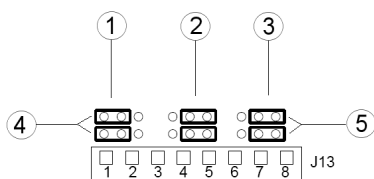


Таблица 4 Връзки за въвеждания

Дискретни въвеждания	Позиция на конектора – въвеждане с прекъсвач	Позиция на конектора – въвеждане според нивото на напрежение
Вход 1+	3	2
Вход 1-	2	3
Вход 2+	6	5
Вход 2-	5	6
Вход 3+	8	7
Вход 3-	7	8

Фигура 10 Настройки на съединителния проводник



1 Съединителни проводници за конфигуриране на вход 1	4 Съединителни проводници разположени отляво за входове с прекъсвачи
2 Съединителни проводници за конфигуриране на вход 2	5 Съединителни проводници разположени отдясно за входове с прекъсвачи
3 Съединителни проводници за конфигуриране на вход 3	

1. Отворете капака на контролера.
2. Заредете проводниците през уплътнението за кабели.
3. Регулирайте проводниците, ако е необходимо, и затегнете уплътнението.
4. Съединителните проводници са разположени непосредствено зад конектора. Отстранете конектора за по-добър достъп до съединителните проводници и конфигурирайте настройките на съединителните проводници според вида вход, както е показано на [Фигура 10](#).
5. Затворете капака на контролера и го стегнете с винтове.
6. Конфигурирайте изходите в контролера.

Забележка: В режим на **въвеждане с прекъсвач** контролерът доставя 12 волта към прекъсвача и не е изолиран от контролера. В режим на **въвеждане според нивото на напрежение** входовете са изолирани от контролера (напрежение на потребителското въвеждане от 0 до 30 волта).

Свързване на цифров сензор sc

Забележка: За да свържете аналогов сензор, вижте инструкциите на устройството или ръководството на сензора.

Можете да свържете към контролера цифров сензор sc като използвате фитинга с клавиш за бързо свързване ([Фигура 11](#)). Цифровият сензор може да бъде свързан при включени или изключен контролер.

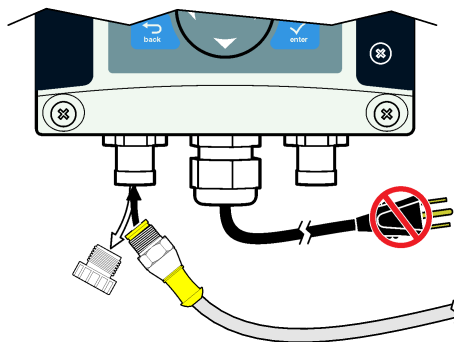
При свързване на сензор с включен контролер, контролерът не изпълнява автоматично сканиране за устройства. За да може контролерът да извърши сканиране за устройства, преминете към менюто за тест/поддръжка и изберете Scan Devices (Сканиране за устройства). Ако бъде намерено ново устройство, контролерът извършва инициализация без допълнителни действия от потребителя.

Когато свързвате сензор при изключен контролер, контролерът ще извърши сканиране за устройства при повторното му включване. Ако бъде намерено ново устройство, контролерът извършва инициализация без допълнителни действия от потребителя.

Запазете капачето на конектора, за да уплътните с него отвора му, когато датчикът трябва да бъде изваден.

Фигура 11 Бързо свързване на цифров сензор

1.



Свързване на изходния цифров комуникационен изход

Производителят поддържа комуникационните протоколи Modbus RS485, Modbus RS232, Profibus DPV1 и HART. Опцията за цифров изходен модул се инсталира на мястото, обозначено от елемент 4 на [Фигура 7](#) на страница 329. За повече подробности вижте доставените с мрежовия модул инструкции.

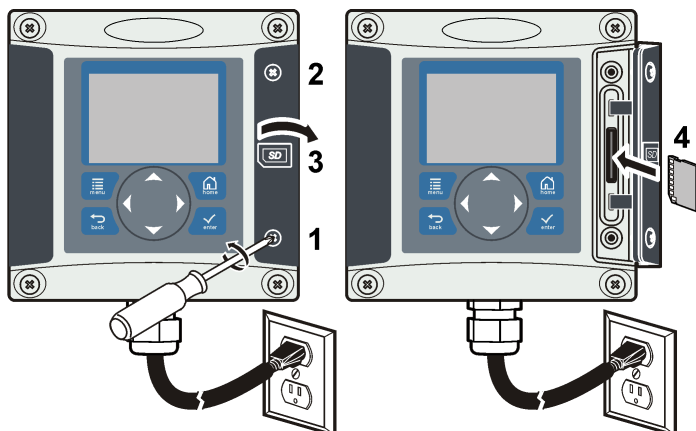
За допълнителна информация за регистрите на Modbus, отидете на <http://www.hach-lange.com> или <http://www.hach.com> и потърсете *Регистри на Modbus* или на произволна продуктова страница на sc200.

Инсталиране на карта със защитена цифрова памет (SD)

За инструкции относно начините на инсталиране на SD карта в контролера вижте [Фигура 12](#). Информация за това как се използва SD картата с памет може да намерите в разширената версия на това ръководство.

За да отстраните SD карта, натиснете ъгъла на картата и освободете. След това издърпайте картата нагоре и навън от слота. След като отстраните картата, затворете слота с капачето и стегнете винтовете.

Фигура 12 Инсталиране на SD карта

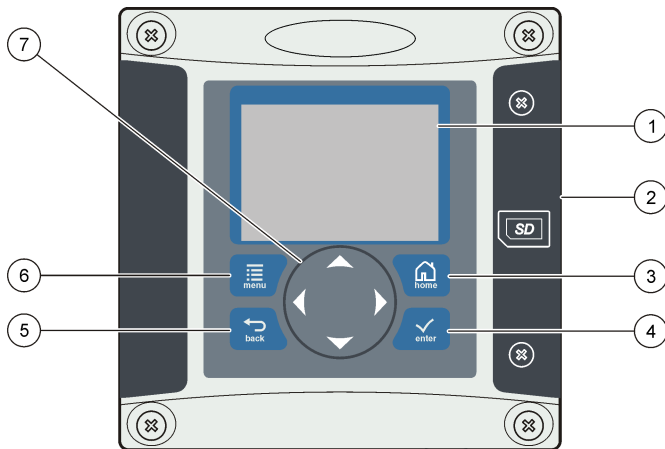


Потребителски интерфейс и навигация

Потребителски интерфейс

Клавиатурата има четири клавиша за меню и четири клавиша за посоки, както е показано на [Фигура 13](#).

Фигура 13 Изглед на клавиатурата и предния панел



1 Инструментален дисплей	5 Клавиш BACK . Придвижва едно ниво назад в структурата на менюто.
2 Капаче на слота за защитена карта памет	6 Клавиш MENU . Придвижва към менюто за настройки от други екрани и подменюта.
3 Клавиш HOME . Придвижва на основния екран за измерване от други екрани и подменюта.	7 Клавиши за посоки Използват се за придвижване през менюта, смяна на настройки и увеличаване или намаляване на цифри.
4 Клавиш ENTER Служи за приемане на въведените стойности, актуализации или показване на опции на менюто.	

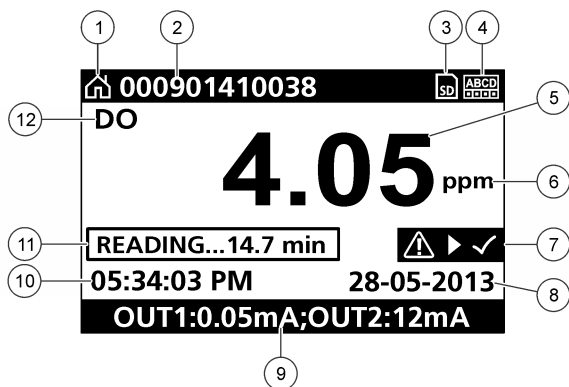
Входовете и изходите се настройват и конфигурират от предния панел при използване на клавиатурата и екрана на дисплея. Този потребителски интерфейс се използва за настройка и конфигуриране на входовете и изходите, създаване на регистрационна информация и изчислени стойности, и калибриране на сензори. Интерфейсът за SD карта се използва за запис на регистрационни файлове и актуализиране на софтуер.

Дисплей

[Фигура 14](#) показва пример на основния екран при измерване със свързан към контролер сензор DO.

Екранът за отчитане на предния панел показва данните от измерването на сензора, калибрирането и настройките на конфигурацията, грешките предупрежденията и друга информация.

Фигура 14 Пример на основния измервателен екран



1 Икона на началния екран	7 Предупредителна лента за състоянието
2 Наименование на сензора	8 Дата
3 Икона на SD картата с памет	9 Стойности на аналоговите изходи
4 Индикатор за релеен статус	10 Време
5 Стойност на измерване	11 Лента за напредъка
6 Измервателна единица	12 Параметър на измерването

Таблица 5 Описания на икони

Икона	Описание
Начален екран	Иконата може да се променя, в зависимост от показвания екран или меню. Например, ако инсталирате SD карта, тук ще видите икона на SD карта, когато потребителят е в менюто за настройка на SD картата.
SD карта с памет	(Можете да видите тази икона, само ако в слота на четеца има SD карта. Когато потребителят е в менюто за настройка на SD карта, иконата се показва в горния ляв ъгъл.
Предупреждение	Иконата на предупреждение се състои от удивителен знак в триъгълник. Появява се предупредителна икона отясно на основния дисплей под стойността на измерване. Натиснете клавиша ENTER , след което изберете устройство, за да видите проблемите, свързани с това устройство. Предупредителната икона ще спре да се показва, когато всички проблеми са разрешени или потвърдени.
Грешка	Иконата за грешка се състои от удивителен знак в кръг. При възникване на грешка иконата за грешка и екранът на измерването примигват отново и отново на главния дисплей. За преглед на грешките натиснете клавиша MENU (МЕНЮ) и изберете Diagnostics (Диагностика) . След това изберете устройство, за да видите проблемите, свързани с това устройство.

Допълнителни формати на дисплея

- От основния измервателен екран натиснете клавишите със стрелки **UP (НАГОРЕ)** и **DOWN (НАДОЛУ)** за превключване между измервателните параметри
- От основния измервателен екран натиснете клавиша със стрелка **RIGHT (НАДЯСНО)** за превключване към разделен дисплей с до 4 измервателни параметъра. Натиснете клавиша със стрелка **RIGHT (НАДЯСНО)** за добавяне на допълнителни измервания. Натиснете клавиша със стрелка **LEFT (НАЛЯВО)** за връщане в основния измервателен екран при необходимост.
- От основния измервателен екран натиснете клавиша със стрелка **LEFT (НАЛЯВО)** за превключване към графичния дисплей (вижте [Графичен дисплей](#) на страница 341 за

задаване на параметрите). Натиснете клавишите със стрелки **UP (НАГОРЕ)** и **DOWN (НАДОЛУ)** за превключване между измервателните графики

Графичен дисплей

Графиката показва концентрацията и температурните измервания за всеки използван канал. Графиката предоставя възможност за лесно наблюдаване на тенденции и показва промените в процеса.

1. От екрана на графичния дисплей използвайте клавишите "нагоре" и "надолу", за да изберете графика и натиснете клавиша **HOME (НАЧАЛЕН ЕКРАН)**.
2. Изберете опция:

Опция	Описание
СТОЙНОСТ НА ИЗМЕРВАНЕ	Задайте стойност на измерване за избрания канал. Изберете между "Автоматично мащабиране" и "Ръчно мащабиране". За ръчно мащабиране въведете минималните и максималните стойности на измерване
ДИАПАЗОН ЗА ДАТА И ЧАС	Изберете диапазон за дата и час от наличните опции

Стартиране на системата

При първоначалното включване на захранването последователно се показват екрани за език, формат на датата и дата/време. След като зададете тези опции, контролерът започва сканиране за устройства и показва съобщение **Scanning for devices. Please wait...** (Сканиране за устройства. Моля, изчакайте...) Ако бъде намерено устройство, контролерът изпълнява инсталиране, преди да покаже основния екран за измерване.

Ако при сканиране се намери инсталирано преди това устройство без промени в конфигурацията, незабавно след завършване на сканирането се показва основния измерителен екран за устройството на позиция номер едно.

Ако устройството е отстранено от контролера или не е намерено при следващия цикъл на захранване или при сканиране за устройства от менюто, контролерът показва съобщение **Device missing** (Липсва устройство) и подсказва да изтриете липсващото устройство.

Ако към инсталиран аналогов модул няма свързан сензор, контролерът показва съобщение за грешка. Ако устройствата са свързани, но не се намират от контролера, вижте [Отстраняване на повреди](#) на страница 343.

Първоначално задаване на език, дата и време

Контролерът показва екрани за редактиране на езика, датата и времето при първото включване и при включване след като настройките на конфигурацията са зададени на подразбиращите се стойности.

След като опциите за езика, датата и часа се настроят за първи път, актуализирайте нужните опции от менюто за настройка на sc200.

1. На екрана за език отворите езика в списъка с опции и натиснете клавиша **ENTER**. Подразбиращият се език на контролера е английски. Избраният език се записва. Показва се екран за формат на датата.
2. На екрана за формат на датата отворите формата и натиснете клавиша **ENTER**. Форматът на датата и времето се записва. След това се показва екран за дата/време.
3. На екрана за дата/време натиснете клавишите-стрелки **НАДЯСНО** или **НАЛЯВО**, за да отворите полето и клавишите-стрелки **НАГОРЕ** и **НАДОЛУ**, за да актуализирате стойността в полето. Не е необходимо актуализиране на другите полета.
4. Натиснете клавиша **ENTER**. Промените се записват и контролерът извършва начално сканиране за устройства. Ако бъде намерено свързано устройство, контролерът показва основния екран за измервания за устройството на позиция номер едно. Ако контролерът не може да намери устройството, вижте [Отстраняване на повреди](#) на страница 343.

Информация за конфигурацията на контролера

В таблицата е дадена обща информация относно опциите за конфигуриране.

1. За да се придвижите в менюто на опциите, изберете **sc200 Setup** (Настройка на sc200) от менюто за настройки.

Опция	Описание
Security setup (Настройка на защитата)	Настройва предпочитанията за кода-парола.
Output setup (Настройка на изходите)	Конфигурира аналоговите изходи на контролера
Relay setup (Настройка на релето)	Конфигурира релетата на контролера
Настройка на дисплея	Конфигурира дисплея на контролера
Set Date/Time (Задаване на дата/време)	Задава датата и времето на контролера
Datalog setup (Настройка за регистриране на данни)	Конфигурира опциите за регистриране на данни. Налична само при настройване на изчисление.
Управление на данни	Изберете устройство от списъка с инсталирани компоненти, за да прегледате данните или регистъра на събития
Error Hold Mode (Режим на задържане при грешка)	Hold Outputs (Задържане на изходните сигнали) —Задържа изходните сигнали на последната известна стойност, когато контролерът загуби комуникация със сензора. Transfer Outputs (Прехвърляне на изходните сигнали) —Превключва в режим на прехвърляне, когато контролерът загуби комуникация със сензора. Прехвърляне на изходите на предварително определена стойност.
Calculation (Изчисление)	Конфигурира математическата функция на контролера
sc200 Information (Информация за sc200)	S/W VER: —Показва текущата версия на софтуера на контролера Bootloader VER: (Версия на Bootloader) —Показва текущата версия на Bootloader. Bootloader представлява файл, който зарежда основната операционна система за контролера S/N: —Показва серийния номер на контролера Version (Версия): —Показва текущата версия на хардуера на контролера
Discrete Input Setup (Настройка на дискретно въвеждане)	Конфигурира три канала за дискретно въвеждане
Language (Език)	Задава използвания от контролера език.

2. Изберете опция и натиснете **ENTER**, за да активирате елемент на менюто.

Поддръжка

▲ ВНИМАНИЕ



Множествена опасност. Задачите, описани в този раздел на ръководството, трябва да се извършват само от квалифициран персонал.

Почистване на контролера

▲ ОПАСНОСТ



Винаги изключвайте контролера от захранването, преди да извършвате дейности по поддръжката.

Забележка: Никога не използвайте запалими или корозивни разтворители за почистване на която и да е част от контролера. Използването на разтворители може да влоши екологичната защита на устройството и да доведе до отпадане на гаранцията.

1. Уверете се, че капакът на контролера е плътно затворен.
2. Забършете външната повърхност на контролера с кърпа, намокрена с вода или със смес от вода и мек почистващ препарат.

Отстраняване на повреди

Проблем	Разрешаваща способност
Няма текущ изходен сигнал	Промяна на текущата конфигурация на изхода
	Проверете текущия изходен сигнал с помощта на подменюто за тест/поддръжка. Въведете текущата стойност и проверете изходния сигнал на връзките при контролера.
	Свържете се с отдела за техническа поддръжка.
Текущата стойност на изхода е неправилна	Промяна на текущата конфигурация на изхода
	Проверете текущия изходен сигнал с помощта на подменюто за тест/поддръжка. Въведете текущата стойност и проверете изходния сигнал на връзките при контролера. Ако стойността на изхода е неправилна, е необходимо да го калибрирате.
Няма активиране на релето	Уверете се, че връзките с релето са стабилни.
	Ако използвате външен източник на захранване, се уверете, че релето е правилно опроводено.
	Уверете се, че релето е конфигурирано правилно.
	Проверете активирането на релето от менюто за тест/поддръжка. Релето трябва да се енергизира и деенергизира според избраното.
	Уверете се, че контролерът не е в режим на калибриране и че релето не е задържано.
Възстановете началната стойност на таймера за твърде големи стойности, за да се уверите, че той не е изтекъл.	

Проблем	Разрешаваща способност
Картата със защитена цифрова памет (SD) не може да се разпознае от контролера	Уверете се, че SD картата е ориентирана правилно. Медните писти трябва да бъдат насочени към дисплея на контролера.
	Уверете се, че SD картата е поставена добре в слота и че пружинната блокировка е захваната.
	Уверете се, че SD картата е форматирана правилно във формат Fat 32. Форматът MMC не се поддържа. Следвайте инструкциите на производителя на SD картата, за да я форматирате на компютъра.
	Уверете се, че картата не е по-голяма от 32 GB.
	Уверете се, че SD картата се използва. Другите типове карти (например xSD, micro Sd, mini SD) не работят правилно.
Информацията не е записана или не е записана правилно на SD картата.	Уверете се, че SD картата е форматирана правилно във формат FAT32. Форматът MMC не се поддържа. Следвайте инструкциите на производителя на SD картата, за да я форматирате на компютъра.
	Ако SD картата не е използвана преди това, е необходимо да я форматирате с Fat32, да я инсталирате в контролера и да опитате да изтеглите файловете.
	Опитайте с друга SD карта.
SD картата е пълна	Разчетете SD картата от компютър или друг картон четец. Запишете важните файлове и след това изтрийте някои или всички файлове от SD картата.
Контролерът не може да намери софтуерни актуализации на SD картата.	Уверете се, че сте създали съответната папка, преди да инсталирате SD картата в контролера. Папката за актуализиране се създава автоматично.
	Монтирайте SD картата в компютъра и се уверете, че софтуерните файлове се намират в съответната папка за актуализиране.
	Ако използвате същата SD карта за актуализиране на повече контролери, всеки от контролерите трябва да има отделна папка в системата. Уверете се, че софтуерните актуализации са в съответната папка, която се използва от контролера.
Дисплеят свети, но не показва знаци или знаците са бледи или замъглени.	Регулиране на контраста на дисплея
	Уверете се, че сте отстранили защитното фолио от дисплея.
	Почистете вътрешната част на контролера, включително екрана на дисплея.
Контролерът не се включва или захранването прекъсва.	Уверете се, че връзките на променливотоковото захранване са правилно терминирани в контролера.
	Уверете се, че захранващият лентов кабел, линейното захранване и стенният контакт са правилно включени.
	Свържете се с отдела за техническа поддръжка

Проблем	Разрешаваща способност
<p>Не се разпознава мрежата или сензорния блок.</p>	Уверете се, че устройството е инсталирано правилно.
	Уверете се, че превключвателят за избор на устройство е установен на съответната цифра.
	Отстранете модула на устройството и го инсталирайте на друг аналогов слот. Приложете захранване към контролера и разрешете да изпълни сканиране за устройства.
	Свържете се с отдела за техническа поддръжка.
<p>Сензорът не се разпознава</p> <p>Забележка: Пример за възможно съобщение на дисплея: ****</p>	Ако сензорът е аналогов и съответният модул е инсталиран в контролера, вижте инструкциите, доставени с мрежата или сензорния модул.
	Уверете се, че съответният кабелен сноп на цифровия конектор е поставен правилно във вратата на устройството и че не е повреден.
	Ако цифровият сензор е свързан към контролера с кутия за цифрово терминиране, потребителска съединителна кутия, цифрови удължителни кабели или потребителски удължителни кабели, свържете сензора директно към контролера и изпълнете сканиране за устройства. Ако контролерът разпознае сензора, проверете дали всички проводници на съединителните кутии или удължителните кабели са включени.
	Уверете се, че в контролера са инсталирани само два сензора. Въпреки че са налични два порта за аналогови устройства, ако бъдат инсталирани цифров сензор и два аналогови модула, контролерът ще разпознава само две от трите устройства.
	Свържете се с отдела за техническа поддръжка
<p>Поява на грешка за липса на устройство</p>	Изпълнете сканиране за устройства от менюто за тест/поддръжка.
	Свържете захранването на контролера.

Tartalomjegyzék

Műszaki adatok 346 oldalon

A rendszer elindítása 368 oldalon

Általános tudnivaló 347 oldalon

Karbantartás 369 oldalon

Telepítés 350 oldalon

Hibaelhárítás 370 oldalon

A kezelőfelület és navigálás 366 oldalon

További információ

További információ a gyártó weboldalán elérhető.

Műszaki adatok

A műszaki adatok előzetes bejelentés nélkül változhatnak.

Jellemző	Adatok
A részegység leírása	Az érzékelőket működtető és a mért értékeket megjelenítő mikroprocesszoros menüvezérlésű vezérlő.
Üzemi hőmérséklet	-20 - 60 °C (-4 - 140 °F); 95% relatív páratartalom (páraleszapódás nélkül) 7 W alatti érzékelőterhelésnél; -20 - 50 °C (-4 - 104 °F), 28 W alatti érzékelőterhelésnél.
Tárolási hőmérséklet	-20 - 70 °C (-4 - 158 °F); 95% relatív páratartalom (páraleszapódás nélkül)
Burkolat ¹	NEMA 4X/IP66 fémház, korrózióálló kikészítéssel
Teljesítményigény	Váltakozó feszültségről táplált vezérlő: 100-240 V AC ±10%, 50/60 Hz; 50 VA felvett teljesítmény az érzékelő, illetve a hálózati modul 7 W-os terhelése mellett, 100 VA felvett teljesítmény az érzékelő, illetve a hálózati modul 28 W-os terhelése mellett (opcionális Modbus, RS232/RS485, Profibus DPV1 vagy HART hálózati kapcsolat). 24 V egyenfeszültségről táplált vezérlő: 24 V DC–15%, + 20%; 15 W teljesítmény az érzékelő, illetve a hálózati modul 7 W-os terhelése mellett, 40 W az érzékelő, illetve a hálózati modul 28 W-os terhelése mellett (opcionális Modbus, RS232/RS485, Profibus DPV1 vagy HART hálózati kapcsolat).
Magasságra vonatkozó követelmények	Tengerszint felett 2000 m (6562 láb)
Szennyezési fok / telepítési kategória	Szennyezési fok /II. telepítési kategória
Kimenetek	Két analóg (0 - 20 mA vagy 4 - 20 mA) kimenet. Az analóg kimenetek beállíthatók úgy, hogy egy mért paramétert jelenítsenek meg, mint például a pH, a hőmérséklet, az áramlás vagy a kiszámított értékek. Az opcionális modul három további analóg kimenettel (összesen 5) szolgál.
Relék	Négy, felhasználó által konfigurált SPDT-érintkező, 250 V AC, legfeljebb 5 A terhelésű névleges jellemzőkkel a váltakozó feszültségről táplált vezérlőhöz, és 24 V DC, legfeljebb 5 A terhelésű névleges jellemzőkkel az egyenfeszültségről táplált vezérlőhöz. A relék váltakozó feszültségű hálózati áramkörre (amikor a vezérlő 115-240 V váltakozó feszültségről táplált) vagy egyenfeszültségű (amikor a vezérlő 24 V egyenfeszültségről táplált) áramkörhöz csatlakozásra tervezettek.
Méretek	½ DIN—144 x 144 x 180,9 mm (5,7 x 5,7 x 7,12 hüvelyk)
Tömeg	1,7 kg (3,75 font)

Jellemző	Adatok
Megfelelőségi információk ²	CE-jóváhagyás (az összes érzékelőtípussal). Az ETL felsorolásában szerepel az általános helyszíneken történő használat céljára, az UL és CSA biztonsági szabványok szerint (az összes érzékelőtípussal). Néhány felsorolt váltóáramú modell általános biztonsági helyszíneken használható az Underwriters Laboratoires UL és CSA biztonsági szabványai szerint (az összes érzékelőtípussal)
Digitális kommunikáció	Opcionális Modbus, RS232/RS485, Profibus DPV1 vagy HART hálózati kapcsolat adatátvitelhez.
Adatrögzítés	SD-kártya (legfeljebb 32 GB) vagy különleges RS232 csatlakozó adatrögzítéshez vagy szoftverfrissítések végrehajtásához. A vezérlő érzékelőnként megközelítőleg 20 000 adatpont tárolására képes.
Jótállás	2 év

¹ Az Underwriters Laboratories (UL) tanúsítványával rendelkező egységek kizárólag beltéri használatra valók, és nem rendelkeznek NEMA 4X/IP66 minősítéssel.

² Az UL az egyenfeszültségű egységeket nem sorolja fel.

Általános tudnivaló

A gyártó semmilyen körülmények között sem felelős a jelen kézikönyv hibájából, vagy hiányosságaiból eredő közvetlen, közvetett, véletlenszerű, vagy következményként bekövetkezett kárért. A gyártó fenntartja a kézikönyv és az abban leírt termékek megváltoztatásának jogát minden értesítés vagy kötelezettség nélkül. Az átdolgozott kiadások a gyártó weboldalán találhatóak.

Biztonsági tudnivaló

MEGJEGYZÉS

A gyártó nem vállal felelősséget a termék nem rendeltetésszerű alkalmazásából vagy használatából eredő semmilyen kárért, beleértve de nem kizárólag a közvetlen, véletlen vagy közvetett károkat, és az érvényes jogszabályok alapján teljes mértékben elhárítja az ilyen kárigényeket. Kizárólag a felhasználó felelőssége, hogy felismerje a komoly alkalmazási kockázatokat, és megfelelő mechanizmusokat szereljen fel a folyamatok védelme érdekében a berendezés lehetséges meghibásodása esetén.

Kérjük, olvassa végig ezt a kézikönyvet a készülék kicsomagolása, beállítása vagy működtetése előtt. Szenteljen figyelmet az összes veszélyjelző és óvatosságra intő mondatra. Ennek elmulasztása a kezelő súlyos sérüléséhez vagy a berendezés megrongálódásához vezethet.

A berendezés nyújtotta védelmi funkciók működését nem szabad befolyásolni. Csak az útmutatóban előírt módon használja és telepítse a berendezést.

A veszéllyel kapcsolatos tudnivalók alkalmazása

▲ VESZÉLY

Lehetséges vagy közvetlenül veszélyes helyzetet jelez, amely halálhoz vagy súlyos sérüléshez vezet.

▲ FIGYELMEZTETÉS

Lehetséges vagy közvetlenül veszélyes helyzetet jelez, amely halálhoz vagy súlyos sérüléshez vezethet.

▲ VIGYÁZAT





Lehetséges veszélyes helyzetet jelez, amely enyhe vagy kevésbé súlyos sérüléshez vezethet.

MEGJEGYZÉS

A készülék esetleges károsodását okozó helyzet lehetőségét jelzi. Különleges figyelmet igénylő tudnivaló.

Figyelmeztető címkék

Olvasson el a műszeren található minden feliratot és címkét. Az utasítások be nem tartása esetén személyi sérülés történhet, vagy a műszer károsodhat. A műszeren látható szimbólum jelentését a kézikönyv egy óvintézkedési mondatral adja meg.

	Ha a készüléken ez a szimbólum látható, az a használati útmutató kezelési és/vagy biztonsági tudnivalóira utal.
	Ez a szimbólum áramütés, illetőleg halálos áramütés kockázatára figyelmeztet.
	Ez a szimbólum elektrosztatikus kisülésre (ESD) érzékeny eszközök jelenlétére figyelmeztet, és hogy intézkedni kell az ilyen eszközök megvédése érdekében.
	Az ezzel a szimbólummal jelölt elektromos készülékek 2005. augusztus 12-e után Európában nem helyezhetők a közösségi háztartási hulladékgyűjtő rendszerekbe. Az európai helyi és nemzeti jogi szabályozásnak megfelelően (az Európai Unió 2002/96/EK irányelve) a gyártó vállalja, hogy a régi vagy a lejárt élettartamú európai elektromos készülékeket költségmentesen visszaveszi a felhasználóktól, ártalmatlanítás céljából.

Tanúsítvány

A rádió interferenciát okozó eszközök kanadai szabályozása, IECS-003 A osztály:

A vizsgálati eredmények bizonyítása a gyártónál található.

Ez az A osztályú berendezés megfelel A rádió interferenciát okozó eszközök kanadai szabályozásának.

Cet appareil numérique de classe A répond à toutes les exigences de la réglementation canadienne sur les équipements provoquant des interférences.

FCC 15 szakasz, az "A" osztályra vonatkozó határokkal

A vizsgálati eredmények bizonyítása a gyártónál található. Az eszköz megfelel az FCC szabályok 15. szakaszában foglaltaknak. A működés a következő feltételek függvénye:

1. A berendezés nem okozhat káros interferenciát.
2. A berendezésnek minden felvett interferenciát el kell fogadnia, beleértve azokat az interferenciákat is, amelyek nem kívánatos működéshez vezethetnek.

A berendezésben véghezvitt, és a megfelelőségbiztosításra kijelölt fél által kifejezetten el nem fogadott változtatások vagy módosítások a berendezés működtetési jogának megvonását vonhatják maguk után. Ezt a berendezést bevizsgálták, és azt az FCC szabályok 15. szakaszának megfelelően, az A osztályú készülékekre érvényes határértékek szerintinek minősítették. E határértékek kialakításának célja a tervezés során a megfelelő védelem biztosítása a káros interferenciák ellen a berendezés kereskedelmi környezetben történő használata esetén. A berendezés rádió frekvencia energiát gerjeszt, használ és sugároz, és amennyiben nem a használati kézikönyvnek megfelelően telepítik vagy használják, káros interferenciát okozhat a rádiós kommunikációban. A berendezésnek lakott területen való működtetése valószínűleg káros interferenciát okoz, amely következtében a felhasználót saját költségére az interferencia korrekciójára kötelezik. A következő megoldások használhatók az interferencia problémák csökkentésére:

1. Kapcsolja le a berendezést az áramforrásról annak megállapításához, hogy az eszköz az interferencia forrása.
2. Amennyiben a berendezés ugyanarra a csatlakozó aljzatra van téve, mint az interferenciát észlelő készülék, csatlakoztassa a készüléket egy másik csatlakozó aljzatba.
3. Vigye távolabb a készüléket az interferenciát észlelő készüléktől.

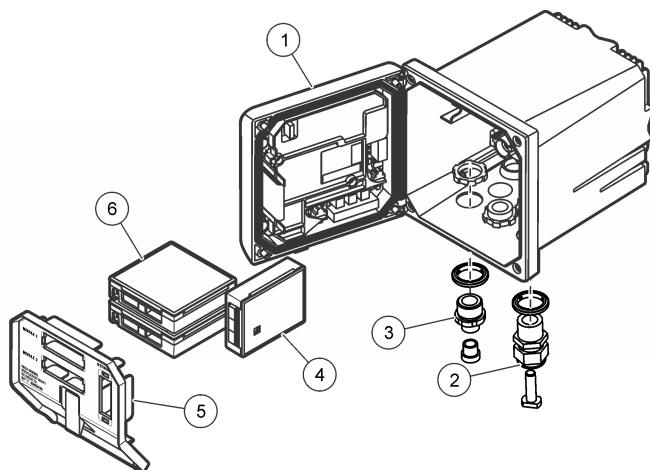
4. Állítsa más helyzetbe annak a készüléknek az antennáját, amelyet zavar.
5. Próbálja ki a fenti intézkedések több kombinációját.

A termék áttekintése

A vezérlő az érzékelők méréseit és más adatokat jelenít meg, alkalmas analóg és digitális jelek továbbítására, továbbá kimenetek és relék használatával képes más eszközökkel való kommunikációra és azok vezérlésére. A kimenetek, relék, érzékelők és érzékelőmodulok beállítása és kalibrálása a vezérlő elején található kezelőfelületen végezhető el.

Az alábbi ábrán (1. ábra) a termék alkatrészei láthatók. Az alkatrészek a vezérlő beállításától függően változhatnak. Ha a készülékből alkatrészek hiányoznak vagy sérültek, lépjen kapcsolatba a gyártóval.

1. ábra A rendszer alkatrészei.



1 Vezérlő	4 Hálózati modul (opcionális)
2 Tehermentesítő szerelvény (opcionális a vezérlő verziójától függően)	5 Nagyfeszültségű védőelem
3 Digitális kapcsolat csatlakozója (opcionális a vezérlő verziójától függően)	6 Érzékelőmodulok (opcionális)

Érzékelők és érzékelőmodulok

A vezérlőhöz legfeljebb két érzékelőmodul vagy két digitális érzékelő (a vezérlő beállításától függően) és egy kommunikációs modul csatlakoztatható. A készülékbe vegyesen egy önálló digitális érzékelő és egy önálló érzékelőmodul telepíthető. Az érzékelőmodulokhoz számos típusú érzékelő csatlakoztatható. Az érzékelők vezetékvezetésével kapcsolatos további tudnivalók az érzékelők útmutatójában és az egyes modulok felhasználói kézikönyvében találhatóak.

Relék, kimenetek és jelek

A vezérlő négy konfigurálható relékapcsolóval és két analóg kimenettel rendelkezik. Az opcionális analóg kimeneti modulal ötre lehet növelni az analóg kimenetek számát.

Eszközök keresése

Bekapcsolt állapotban a vezérlő két kivétellel felhasználói beavatkozás nélkül, automatikusan keresi a csatlakoztatott eszközöket. Az első kivétel az eszköz használat előtti első bekapcsolása. A második kivétel a vezérlő beállításainak alapértelmezett értékre történő visszaállítását követő újraindítás. A vezérlő mindkét esetben először a nyelv, dátum és idő szerkesztési képernyőt jeleníti meg. A nyelv, dátum és idő beállítását követően a vezérlő eszközkeresést hajt végre. Eszközök kereséséhez a vezérlő bekapcsolt állapotban lásd: [Digitális sc-érzékelő csatlakoztatása](#) 364 oldalon.

A vezérlő burkolata

A vezérlő burkolata megfelel a NEMA 4X/IP66 besorolásnak, és korrózióálló bevonata ellenáll a korróziót okozó környezeti összetevőknek, például a sós permetnek és a kénhidrogénnek. Kültéri használat esetén javasoljuk a környezet okozta károsodás elleni védelem biztosítását.

Megjegyzés: Az *Underwriters Laboratories (UL)* tanúsítványával rendelkező egységek kizárólag beltéri használatra valók, és nem rendelkeznek NEMA 4X/IP66 minősítéssel.

A vezérlő felszerelési lehetőségei

A vezérlő felszerelhető panelre, falra, illetve függőleges vagy vízszintes csőre. A mellékelt neoprén tömítéssel csökkenthető a készüléket érő rázkódás. A készülék panelre történő felszerelése esetén a belső tömítőelem eltávolítás előtt a tömítés sablonként használható.

Telepítés

Az alkatrészek felszerelése és a készülék méretei

▲ VIGYÁZAT

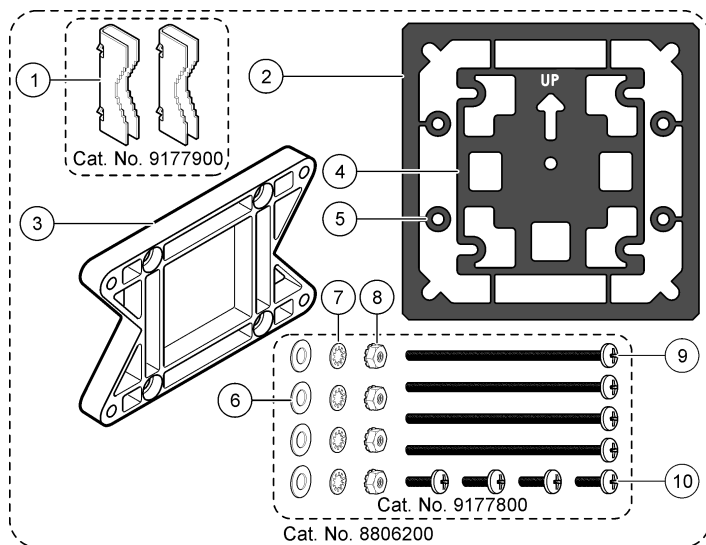
Személyi sérülés veszélye. Az útmutatónak ebben a részében ismertetett feladatokat csak képzett szakember végezheti el.

A vezérlő felületre, panelre vagy csőre (vízszintesre vagy függőlegesre egyaránt) szerelhető. A felszereléssel kapcsolatos tudnivalóként tekintse meg a következő ábrákat: [2. ábra](#), [3. ábra](#) 352 oldalon, [4. ábra](#) 353 oldalon, [5. ábra](#) 354 oldalon és [6. ábra](#) 355 oldalon.

Vízszintes csőre történő felszerelés esetén a rögzítőlábakat ([2. ábra](#)) függőlegesen kell felszerelni a rögzítőkonzorra.

Vízszintes és függőleges felszerelés esetén egyaránt a következő szerint szerelje a rögzítőkonzolt a vezérlőre: [5. ábra](#) 354 oldalon.

2. ábra A felszereléshez szükséges alkatrészek.

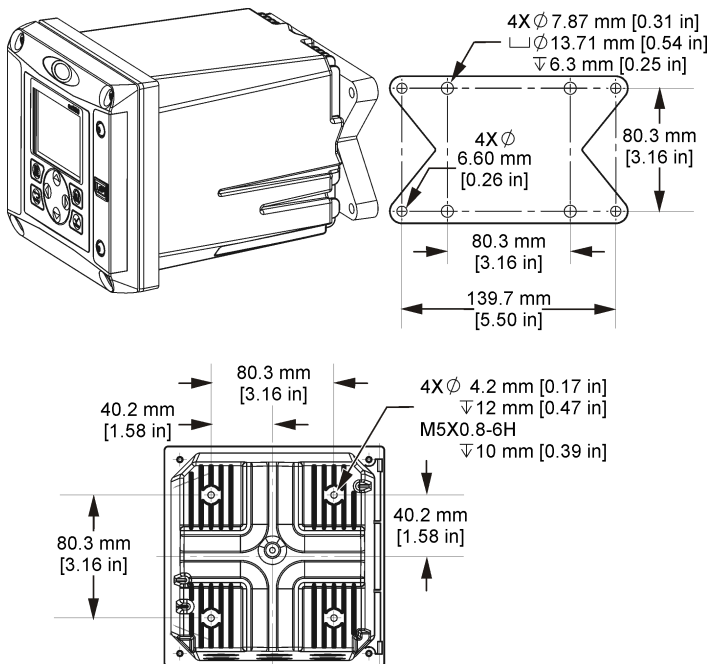


1 Rögzítőlábak (2x)	6 Lapos alátét, ¼ hüvelykes belső átmérő (4x)
2 Tömítés panelre szereléshez, neoprén	7 Záró alátét, ¼ hüvelykes belső átmérő (4x)
3 Konzol falra és csőre szereléshez	8 M5 x 0,8 hatlapfejű peremes anya (4x)
4 Rázkódáscsökkentő tömítés csőre szereléshez	9 Félgömbfejű csavarok, M5 x 0,8 x 100 mm (4x) (Különböző átmérőjű csövekre történő szereléshez.)
5 Rázkódáscsökkentő alátétek csőre szereléshez (4x)	10 Félgömbfejű csavarok, M5 x 0,8 x 15 mm (4x)

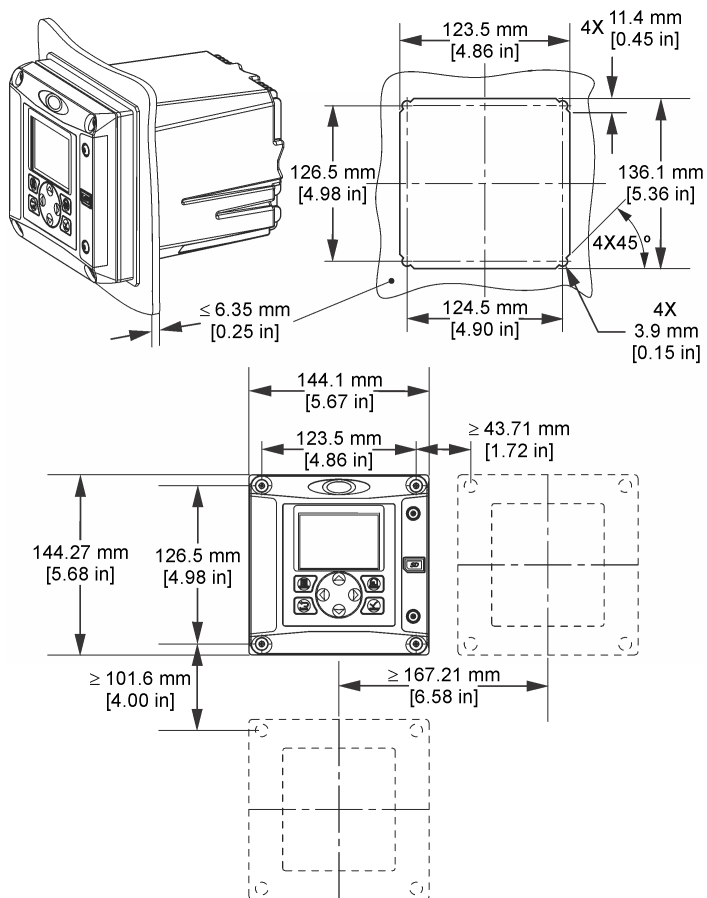
Megjegyzés: A panelre szereléshez egy konzol áll rendelkezésre választható tartozékként.

A vezérlő felszerelése

3. ábra Méretek felületre szereléshez

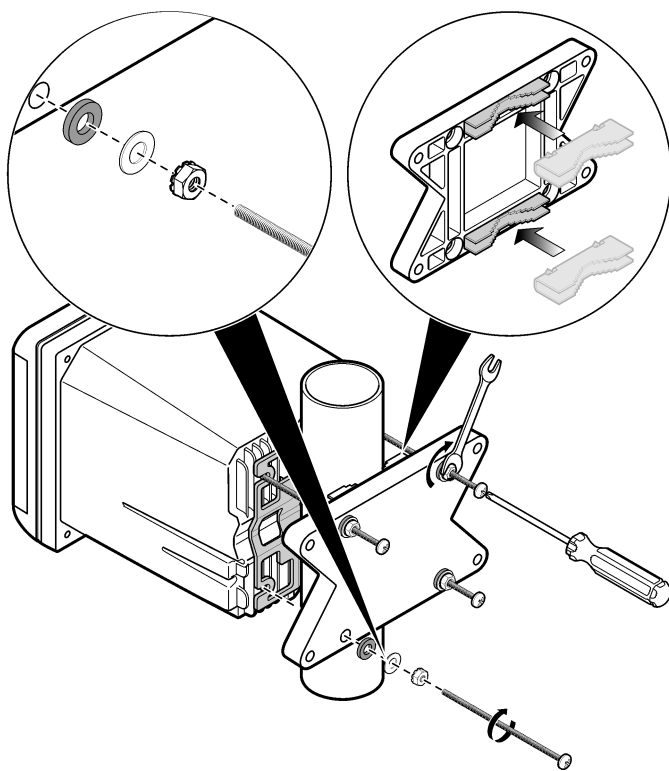


4. ábra Méretek panelre szereléshez

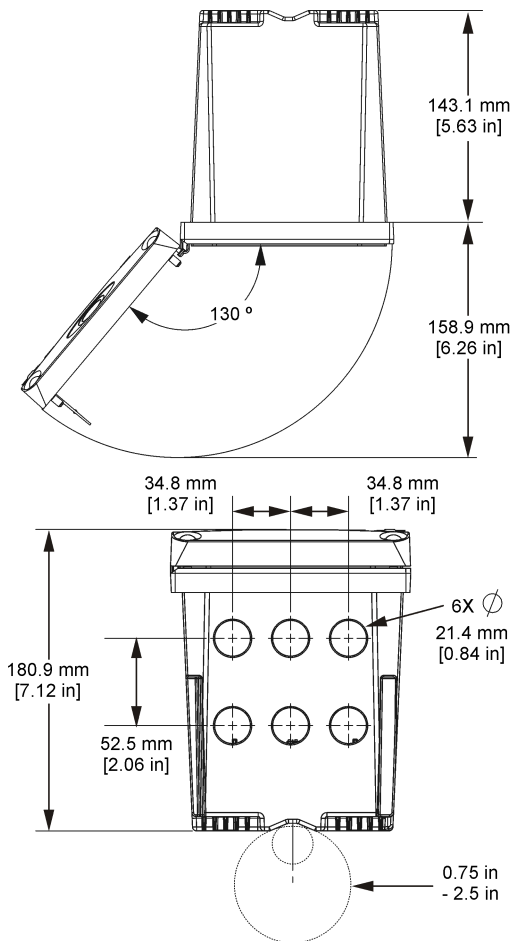


Megjegyzés: Ha a konzolt (opcionális) használja a panelre szereléshez, tolja a vezérlőt a lyukon keresztül a panelbe, és csúsztassa a konzolt a vezérlő fölé a panel hátoldalán. Használja a négy darab 15 mm-es félgömbfejű csavart (tartozék) a konzol vezérlőhöz csatlakoztatására és a vezérlő panelhez rögzítésére.

5. ábra A cső felszerelése (függőleges cső)



6. ábra Felül- és alulnézet



Nagyfeszültségű védőelem

A vezérlő nagyfeszültségű vezetékai a nagyfeszültségű védőelem mögött futnak a vezérlő házában. A védőelem csak a modulok telepítésekor, illetve a relék, a riasztók vagy a kimenetek vezetékének képzett szakember által történő kiépítése esetén távolítható el. Ne távolítsa el a védőelemet, amíg a vezérlő áram alatt van.

Elektrosztatikus kisüléssel (ESD) kapcsolatos megfontolások

MEGJEGYZÉS



Lehetséges károsodás a készülékben. Az érzékeny belső elektronikus rendszerelemek megsérülhetnek a statikus elektromosság következtében, amely csökkent működőképességet, vagy esetleges leállást eredményezhet.

A villamos kisülés okozta károsodás elkerülése érdekében hajtsa végre az alábbi műveleteket:

- Földelt fémfelület (például egy műszer szerelvénylapja, fém vezető vagy cső) megérintésével süsse ki a testében lévő statikus elektromosságot.

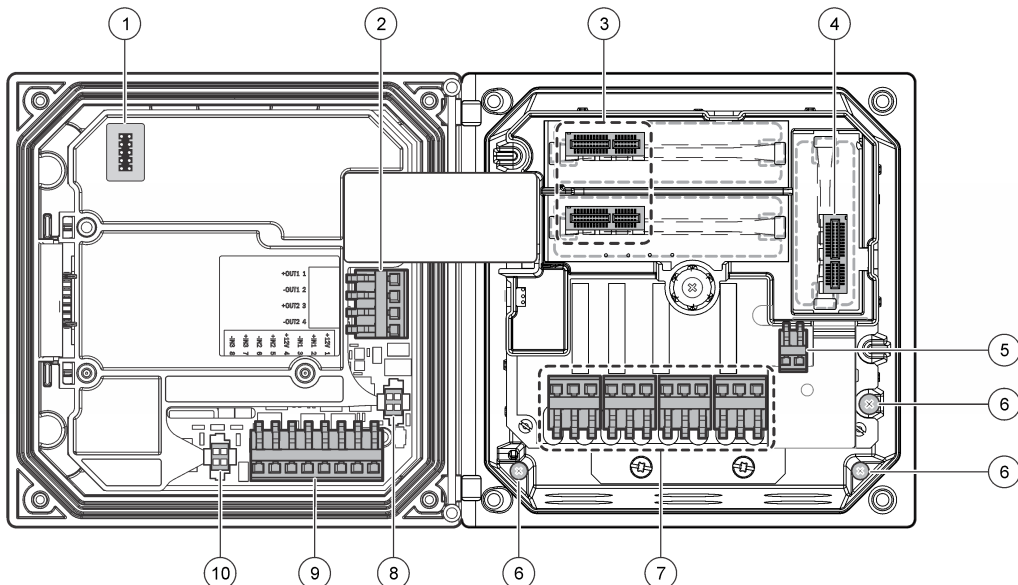
- Kerülje a túlzott mozgást. A sztatikus elektromosságra érzékeny alkatrészeket antisztatikus tárolóban vagy csomagolásban szállítsa.
- Viseljen földelt csuklópántot.
- Dolgozzon antisztatikus környezetben, antisztatikus padlószőnyegen és ilyen borítású munkasztalon.

A vezetékezés áttekintése

Az alábbi ábrán (7. ábra) a vezérlő vezetékcsatlakozásai láthatók a nagyfeszültségű védelem eltávolítását követően. Az ábra bal oldalán a vezérlő fedelének hátsó oldala látható.

Megjegyzés: A modulok telepítése előtt távolítsa el a védősapkákat a csatlakozókról.

7. ábra A vezetékcsatlakozások áttekintése



1 Szervikábel csatlakozója	5 Váltakozó- és egyenfeszültség csatlakozója ¹	9 Diszkrét bemenet vezetékezési csatlakozója ¹
2 4 - 20 MA kimenet ¹	6 Földcsatlakozó	10 Digitális érzékelő csatlakozója ¹
3 Érzékelőmodul csatlakozója	7 Relécsatlakozók ¹	
4 Kommunikációs modul csatlakozója (például Modbus, Profibus, HART, opcionális 4-20 mA-es modul stb.)	8 Digitális érzékelő csatlakozója ¹	

¹ A csatlakozók a jobb hozzáférés céljából eltávolíthatók.

Áramvezeték kiépítése

▲ FIGYELMEZTETÉS



Halálos áramütés veszélyének lehetősége. Mindig kösse le a műszerről a tápfeszültséget, amikor elektromos összeköttetéseket létesít.

▲ FIGYELMEZTETÉS



Halálos áramütés veszélyének lehetősége. Ha ezt az eszközt terepen, vagy esetlegesen nedves körülmények között használják, egy **FI védőkapcsolóval** használható az eszköznek a hálózati áramforrásra való csatlakoztatásakor.

▲ VESZÉLY



Halálos áramütés veszélye. Ne csatlakoztasson váltakozó feszültséget a 24 V egyenfeszültségről táplált típushoz.

▲ FIGYELMEZTETÉS



Halálos áramütés veszélyének lehetősége. Védőföldelés csatlakoztatás szükséges mind a 100-240 V váltakozó feszültségű, mind a 24 V egyenfeszültségű vezetékvezetési alkalmazásokban. Ha nincs jó minőségű védőföld csatlakozás, az áramütés veszélyéhez és működési zavarokhoz vezethet, az elektromágneses zavaró kölcsönhatások miatt. **MINDIG** csatlakoztasson jó védőföldelést a vezérlő csatlakozójához.

MEGJEGYZÉS

Olyan helyre és helyzetbe telepítse az eszközt, amellyel jó hozzáférést biztosít a lekapcsoló készülékhez és annak használatához.

A vezérlő 100 - 240 V váltakozó feszültségről vagy 24 V egyenfeszültségről táplált típusként is megvásárolható. Kövesse a megvásárolt típusra vonatkozó, megfelelő bekötési utasításokat.

A vezérlő hálózati bekötése történhet állandó, vezetékcsatornás vezetékvezetéssel vagy tápkábel csatlakoztatásával. A csatlakozásokat az alkalmazott vezetéktől függetlenül, ugyanazokra a kivezetésekre kell kötni. Szükség van a helyben érvényes villamos szabályozásnak megfelelően tervezett, helyi bontási lehetőségre, amelyet minden fajta felszerelés esetében meg kell határozni. A huzalozott alkalmazásokban a készülék tápellátó- és a védőföld-vezetékei keresztmetszetének 1,024 - 2,053 mm között kell lennie.

Megjegyzések:

- A feszültségvédőt el kell távolítani elektromos csatlakozások kiépítése előtt. A csatlakozások kiépítését követően helyezze vissza a feszültségvédőt, mielőtt bezárná a vezérlő fedelét.
- A NEMA 4X/IP66 környezeti besorolás fenntartásához tömítő tehermentesítő, és egy 3 méternél rövidebb, 3 x 1,024 mm keresztmetszetű (védőföld-vezetéket is tartalmazó) vezetővel rendelkező tápkábel használható.
- A vezérlők előre beszerelt hálózati tápkábellel rendelhetők. Valamint további tápkábelek is megrendelhetők.
- Az egyenfeszültségű tápegységnek, amely a 24 V egyenfeszültségről táplált vezérlőt ellátja, a 24 V-os feszültség szabályozását az előírt -15 % / +20 % határok között kell fenntartania. Az egyenfeszültségű tápegységnek a túlfeszültség és a vonali tranziensek ellen is megfelelő védelmet kell nyújtania.

Vezetékvezetési eljárás

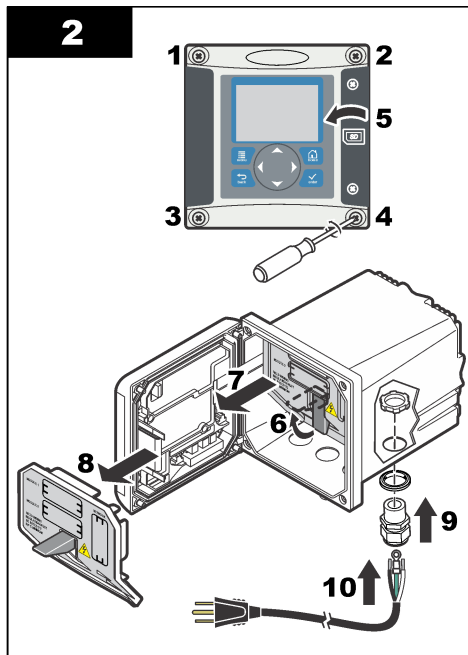
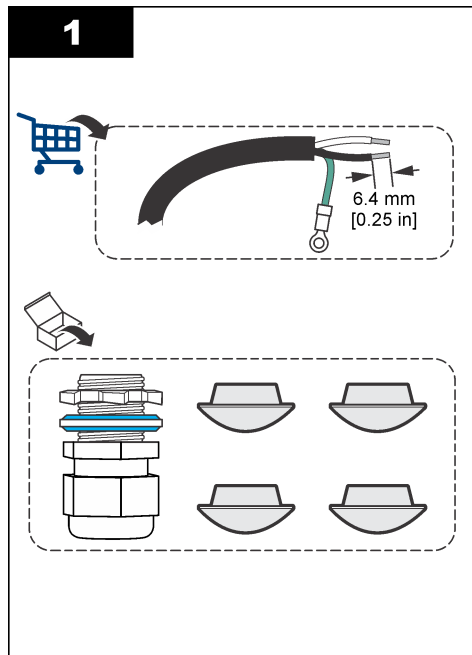
A vezérlő áramellátó vezetékvezetéséhez lásd: az alábbi ábrákon látható lépések, valamint [1. táblázat](#) vagy [2. táblázat](#). A vezetékeket úgy helyezze a megfelelő csatlakozóba, hogy a szigetelés a csatlakozóhoz érjen és ne lógjon ki a csupasz vezeték. A behelyezés után finoman húzza meg a vezetéket annak ellenőrzéséhez, hogy a csatlakozás biztonságos. A nem használt nyílásokat vezetékcsatorna-nyílást lezáró dugóval fedje be a vezérlő dobozán.

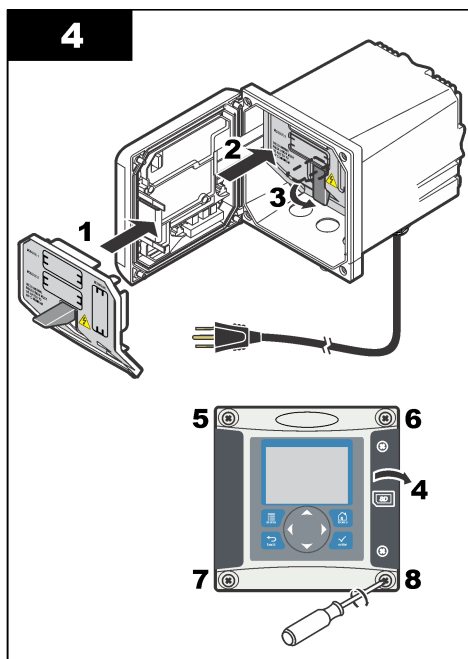
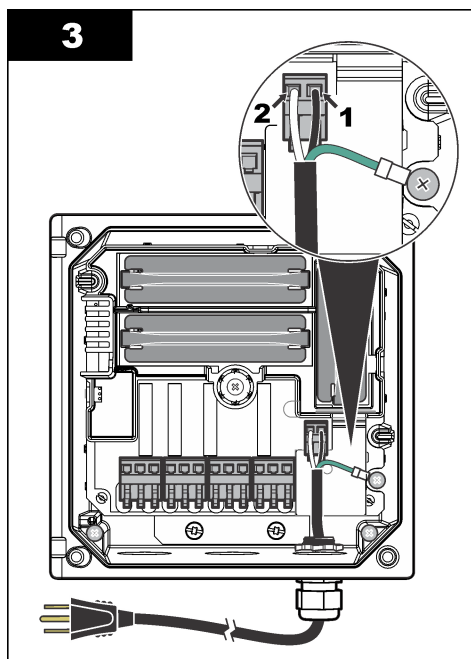
1. táblázat Tájékoztató a váltakozó feszültségű bekötésről (csak a váltakozó feszültségről táplált típusához)

Csatlakozó	Leírás	Szín (Észak-Amerika)	Szín (EU)
1	fázis (L1)	fekete	Barna
2	nulla (N)	Fehér	kék
—	Védőföld (PE) kábelcsatlakozó	Zöld	Zöld, sárga csíkkal

2. táblázat Tájékoztítás az egyenfeszültségű bekötésről (csak az egyenfeszültségről táplált típusához)

Csatlakozó	Leírás	Szín (Észak-Amerika)	Szín (EU)
1	+24 V DC	Vörös	Vörös
2	24 V föld	fekete	fekete
—	Védőföld (PE) kábelcsatlakozó	Zöld	Zöld, sárga csíkkal





Riasztások és relék

A vezérlő négy nem táplált, egypólusú relével van felszerelve, amelyek 100-250 V váltakozó feszültség, 50/60 Hz, 5 A terhelhetőséggel rendelkeznek. Az érintkezők 250 V váltakozó feszültség, 5 A terhelhetőséggel rendelkeznek a váltakozó feszültségről táplált vezérlő esetén, és 24 V egyenfeszültség, legfeljebb 5 A terhelhetőséggel rendelkeznek az egyenfeszültségről táplált vezérlő esetében. A relék nem rendelkeznek névleges induktív terheléssel.

Relék vezetékezése

▲ FIGYELMEZTETÉS



Halálos áramütés veszélyének lehetősége. Mindig kösse le a műszerről a tápfeszültséget, amikor elektromos összeköttetéseket létesít.

▲ FIGYELMEZTETÉS



Tűzveszély lehetősége. A relé érintkezők 5 A névleges áramra készültek, és olvadó biztosító nélküliek. A relékhez kapcsolt külső terheléseknek áramkorlátozóval kell rendelkezniük, az áramerősség 5 A alá csökkentéséhez.

▲ FIGYELMEZTETÉS



Tűzveszély lehetősége. Ne kösse össze sodrott vezetékkel a közös relés kapcsolásokat, vagy ne használjon áthidaló vezetéket a készülék belsejében a hálózati feszültség csatlakozójáról.

▲ FIGYELMEZTETÉS



Halálos áramütés veszélyének lehetősége. A burkolat NEMA/IP besorolásának megtartása érdekében legalább a NEMA 4X/IP66 szabványnak megfelelő vezetékhalozati szerelvényeket és kábeliszorítókat alkalmazzon, amikor a vezetékeket bevezeti a készülékbe.

Váltakozó feszültségről (100 - 250 V) táplált vezérlők

A vezetékezést szolgáló rekeszt nem a 250 V váltakozó feszültséget meghaladó feszültségek csatlakoztatására tervezték.

24 V egyenfeszültségről táplált vezérlők

▲ FIGYELMEZTETÉS



Halálos áramütés veszélyének lehetősége. A váltakozó feszültségű vezérlőket (115 V–230 V) váltakozó feszültségű (16 V eff., 22,6 csúcs- vagy 35 egyenfeszültségnél nagyobb) áramkörökhöz való relés csatlakozáshoz tervezték.

▲ FIGYELMEZTETÉS



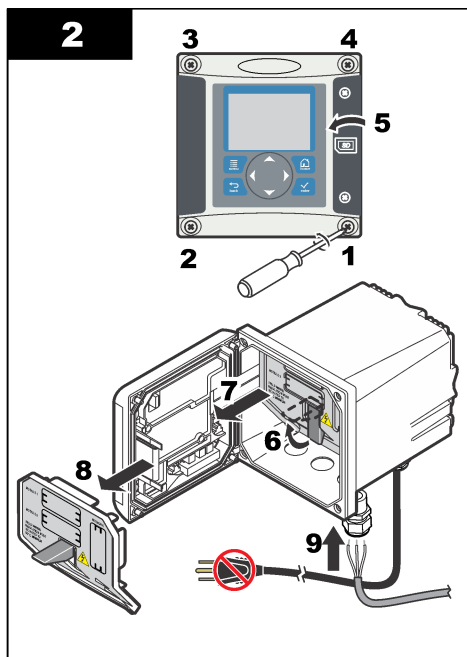
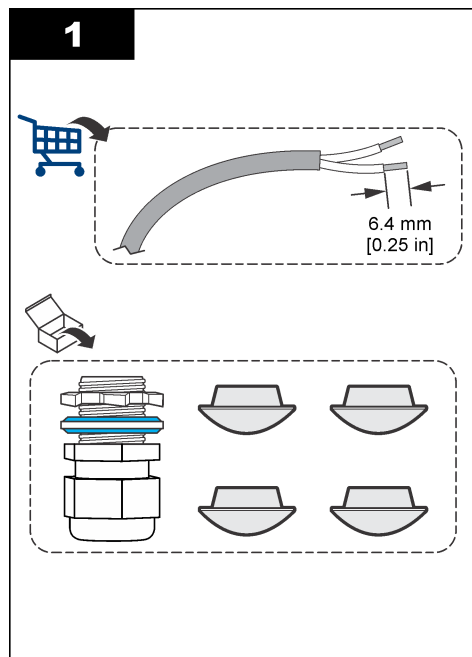
Halálos áramütés veszélyének lehetősége. A 24 V vezérlőket alacsony feszültségű (16 V eff., 22,6 csúcs- vagy 35 egyenfeszültségnél kisebb) relés csatlakozáshoz tervezték.

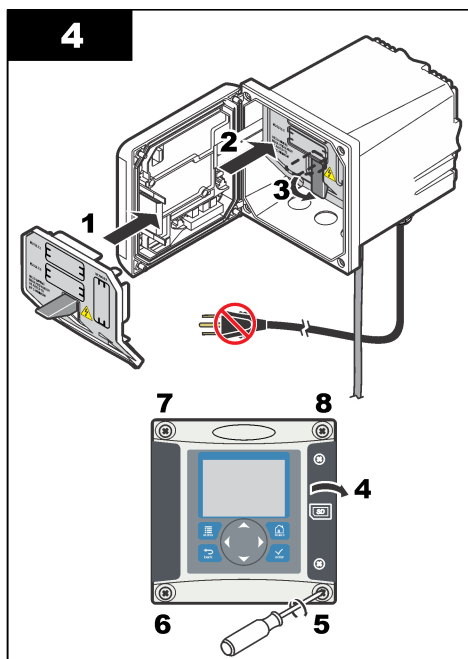
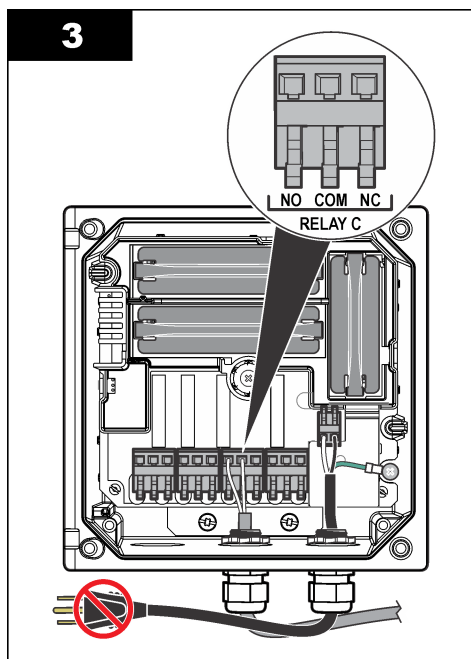
A 24 V egyenfeszültségű vezérlőt kis feszültségű (kisebb mint 30 V eff., 42,2 V csúcs- vagy 60 V egyenfeszültség) áramkörökhöz való csatlakozáshoz tervezték. A vezetékezést szolgáló rekeszt nem e szinteknél nagyobb feszültségek csatlakoztatására tervezték.

A relécsatlakozó 1,024 - 2,053 mm² keresztmetszetű vezetéket képes befogadni (ezt az alkalmazás terhelése határozza meg). Az 1,024 mm²-nél kisebb keresztmetszetű vezetékek használata nem ajánlott.

Az alaphelyzetben nyitott (NO) és közös (COM) reléérintkezők akkor kapcsolódnak össze, amikor egy riasztási- vagy egyéb feltétel aktív. Az alaphelyzetben zárt (NC) és közös reléérintkezők akkor kapcsolódnak össze, amikor egy riasztási- vagy egyéb feltétel nem aktív (vagy ha a meghibásodásvédelem aktív), vagy a vezérlő kikapcsolásakor.

A legtöbb relékapcsolat NO és COM csatlakozókat, vagy NC és COM csatlakozókat használ. A számozott beszerelési lépésekben az NO és COM csatlakozók használata látható.





Az analóg kimenetek csatlakozásai

▲ FIGYELMEZTETÉS



Halálos áramütés veszélyének lehetősége. Mindig kösse le a műszerről a tápfeszültséget, amikor elektromos összeköttetéseket létesít.

▲ FIGYELMEZTETÉS



Halálos áramütés veszélyének lehetősége. A burkolat NEMA/IP besorolásának megtartása érdekében legalább a NEMA 4X/IP66 szabványnak megfelelő vezetékhalozati szerelvényeket és kábelzorítókat alkalmazzon, amikor a vezetékeket bevezeti a készülékbe.

Két, leválasztott analóg kimenet (1 és 2) áll rendelkezésre (8. ábra). A kimeneteket gyakran használják analóg jeltovábbításra, vagy külső eszközök vezérlésére.

A vezérlő vezetékcsatlakozásait a következők alapján hozza létre: 8. ábra és 3. táblázat.

Megjegyzés: A(z) 8. ábra a vezérlő fedelének hátoldalát mutatja, nem a fő vezérlőkamra belsejét.

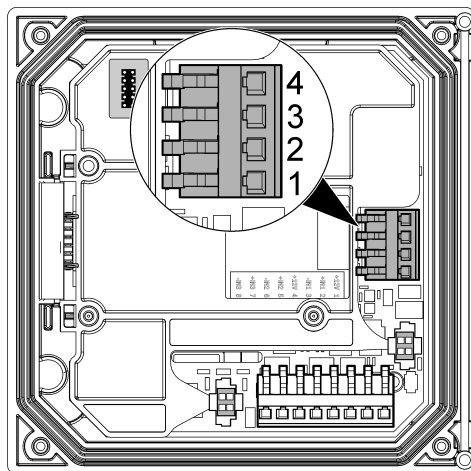
3. táblázat Kimeneti csatlakozások

A felvevő vezetékei	Az áramköri kártya helyzete
2. kimenet–	4
2. kimenet+	3
1. kimenet–	2
1. kimenet+	1

1. Nyissa fel a vezérlő fedelét.
2. Vezesse át a vezetékeket a tehermentesítőn.
3. Szükség szerint állítsa be vezetékét, majd szorítsa meg a tehermentesítőt.

4. Az összeköttetést árnyékolt, csavart érpáras vezetékkel létesítse, az árnyékolást pedig a vezérelt elemnél vagy a vezérlőhurok végén csatlakoztassa.
 - Ne csatlakoztassa az árnyékolást a kábel mindkét végén.
 - Ha nem árnyékolt kábelt használ, az rádiófrekvenciás kibocsátást vagy a megengedettnél nagyobb szintű érzékenységi szintet eredményezhet.
 - A hurokellenállás legnagyobb értéke 500 ohm.
5. Zárja be a vezérlő fedelét, és húzza meg a fedél csavarjait.
6. A vezérlő kimeneteinek beállítása.

8. ábra Az analóg kimenetek csatlakozásai



Diszkrét bemeneti vezetékcsatlakozások

▲ FIGYELMEZTETÉS



Halálos áramütés veszélyének lehetősége. Mindig kösse le a műszerről a tápfeszültséget, amikor elektromos összeköttetéseket létesít.

▲ FIGYELMEZTETÉS

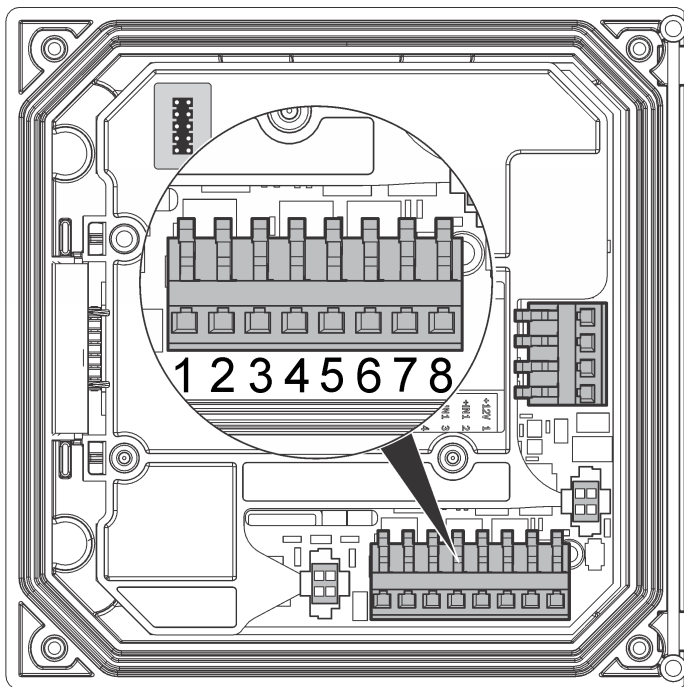


Halálos áramütés veszélyének lehetősége. A burkolat NEMA/IP besorolásának megtartása érdekében legalább a NEMA 4X/IP66 szabványnak megfelelő vezetékhalózáti szerelvényeket és kábeliszorítókat alkalmazzon, amikor a vezetékeket bevezeti a készülékbe.

Három diszkrét bemenet áll rendelkezésre a kapcsolóház bemeneteihez vagy a logikai szintű feszültségbemenetekhez. Hozzon létre vezetékcsatlakozásokat, és konfigurálja az áthidaló beállításait a vezérlőhöz a **9. ábra**, **4. táblázat** és **10. ábra** ábra alapján.

Megjegyzés: A(z) **9. ábra** a vezérlő fedelének hátoldalát mutatja, nem a fő vezérlőkamra belsejét.

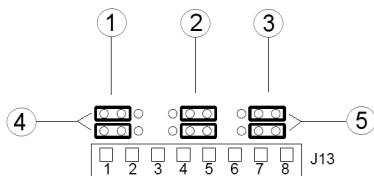
9. ábra Diszkrét bemeneti vezetékcsatlakozások



4. táblázat Bemeneti csatlakozások

Diszkrét bemenetek	Csatlakozó helyzete - kapcsoló bemenet	Csatlakozó helyzete - feszültség bemenet
1. Bemenet+	3	2
1. Bemenet-	2	3
2. Bemenet+	6	5
2. Bemenet-	5	6
3. Bemenet+	8	7
3. Bemenet-	7	8

10. ábra Áthidaló beállítások



1	1. bemeneti áthidaló konfiguráció	4	Balra igazított áthidalók a kapcsoló bemenetekhez
2	2. bemeneti áthidaló konfiguráció	5	Jobbra igazított áthidalók a feszültség bemenetekhez
3	3. bemeneti áthidaló konfiguráció		

1. Nyissa fel a vezérlő fedelét.
2. Vezesse át a vezetékeket a kábeltömítőn keresztül.
3. Szükség szerint állítsa be a vezetékét, majd szorítsa meg a kábeltömítőt.
4. Az áthidalók közvetlenül a csatlakozó mögött helyezkednek el. Távolítsa el a csatlakozót az áthidalókhoz való jobb hozzáférés érdekében, és konfigurálja az áthidaló beállításait a bemenet típusa alapján az alábbi ábrán látható módon: **10. ábra**.
5. Zárja be a vezérlő fedelét, és húzza meg a fedél csavarjait.
6. A vezérlő bemeneteinek beállítása.

Megjegyzés: **Kapcsoló bemenet** módban a vezérlő 12 volt feszültséget biztosít a kapcsolónak, és nincs elkülönítve a vezérlőtől. **Feszültség bemenet** módban a bemenetek el vannak különítve a vezérlőtől (felhasználói bemeneti feszültség: 0-30 volt).

Digitális sc-érzékelő csatlakoztatása

Megjegyzés: Analóg érzékelő csatlakoztatásával kapcsolatban további tudnivalókat a modulhoz mellékelt leírásban vagy az érzékelő kézikönyvében talál.

A vezérlőhöz gyorscsatlakozóval csatlakoztatható a digitális sc-érzékelő (**11. ábra**). A digitális érzékelő be- és kikapcsolt vezérlőhöz egyaránt csatlakoztatható.

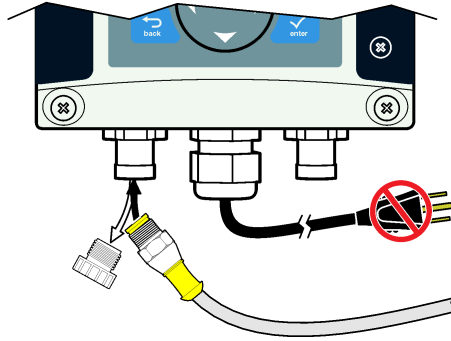
Ha a vezérlő be van kapcsolva az érzékelő csatlakoztatásakor, a vezérlő nem hajt végre automatikus eszközkeresést. Eszközkérés végrehajtásához navigáljon a Teszt/Karbantartás menü Eszközök keresse pontjára. Ha a vezérlő új készüléket talál, további felhasználói beavatkozás nélkül végrehajtja a telepítési folyamatot.

Ha a vezérlő ki van kapcsolva az érzékelő csatlakoztatásakor, a vezérlő a bekapcsolást követően végrehajtja az automatikus eszközkeresést. Ha a vezérlő új készüléket talál, további felhasználói beavatkozás nélkül végrehajtja a telepítési folyamatot.

Örizz meg a csatlakozó sapkáját, amellyel lezárhatja a nyílást, amennyiben el kell távolítania az érzékelőt.

11. ábra A digitális érzékelő gyors csatlakoztatása

1.



Opcionális digitális kommunikációs kimenet csatlakoztatása

A gyártó a Modbus RS485, Modbus RS232, Profibus DPV1 és HART kommunikációs protokollokat támogatja. Az opcionális digitális kimeneti modul csatlakoztatása a 4. ponton történik. Lásd: 7. ábra 356 oldalon. További részletekért tanulmányozza a hálózati modulhoz kapott utasításokat.

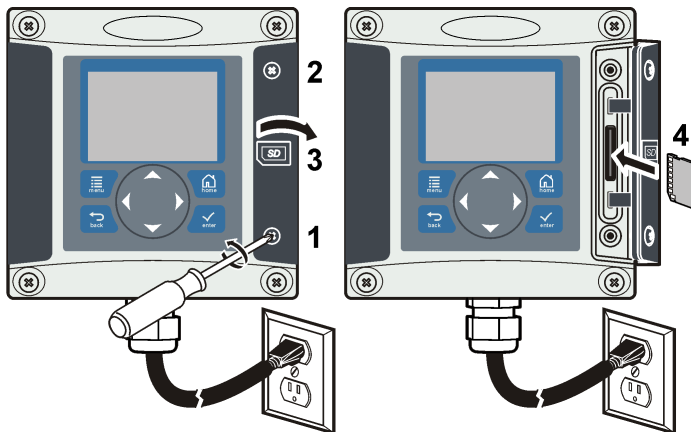
A Modbus regiszterekre vonatkozó információkért lásd: <http://www.hach-lange.com> vagy <http://www.hach.com>, és a keresőbe írja be a *Modbus regiszterek* kifejezést, vagy látogassa meg bármelyik sc200 termék lapját.

Secure Digital (SD) memóriakártya használata

Az SD-kártya behelyezésével kapcsolatban tekintse meg a következőt: 12. ábra Az SD-memóriakártya használatával kapcsolatos tudnivalókat ennek a kézikönyvnek a bővített változatában találja.

Az SD-kártya eltávolításához nyomja be a kártya végét, engedje el a kártyát, majd húzza felfelé és kifelé a nyílásból. A kártya eltávolítását követően csukja be a nyílás fedelét és húzza meg a fedél csavarjait.

12. ábra Az SD-kártya behelyezése

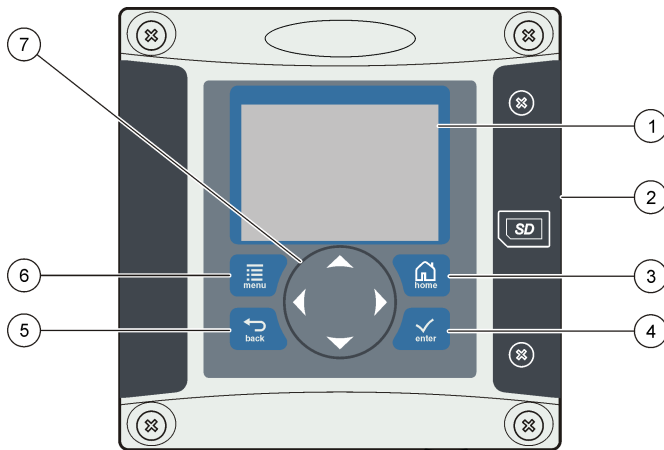


A kezelőfelület és navigálás

Felhasználói felület

A kezelőfelület négy menügombbal és négy nyíl gombbal rendelkezik (13. ábra).

13. ábra A kezelőfelület és az elülső panel áttekintése



1 A műszer kijelzője	5 BACK gomb: a menüszerkezetben egy szinttel visszalép.
2 Az SD-kártya nyílásának fedele	6 MENU gomb: A Beállítások menü képernyőre vált más képernyőkről és almenüből.
3 HOME gomb: a fő mérési képernyőre vált más képernyőkről és almenüből.	7 Nyílombok: navigálás a menükben, beállítások módosítása, számok csökkentése és növelése.
4 ENTER gomb: beírt értékek, módosítások vagy megjelenített menüelemek bevitele.	

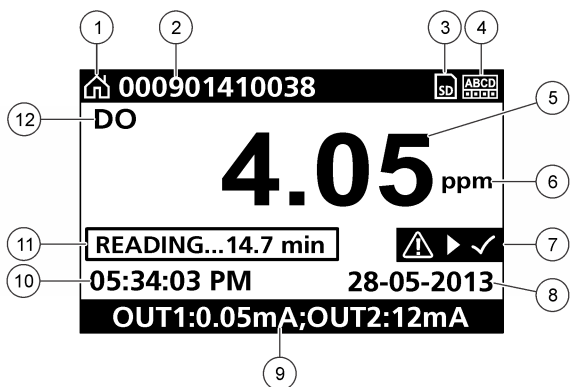
A bemenetek és a kimenetek beállítása és konfigurálása az elülső panelen történik a kezelőfelület és a képernyő segítségével. A kezelőfelülettel lehet beállítani és konfigurálni a bemeneteket és kimeneteket, létrehozni naplóadatokat és számított értékeket, valamint kalibrálni az érzékelőket. Az SD-felület az adatok mentéséhez és a szoftver frissítéséhez használható.

Kijelző

Az ábrán (14. ábra) a vezérlő fő mérések képernyője látható csatlakoztatott DO-érezkelővel.

Az elülső panel kijelzőjén az érzékelő mérési adatai, kalibrációs és konfigurációs beállítások, hibaüzenetek, figyelmeztetések és egyéb adatok láthatók.

14. ábra Példa a fő mérési képernyőre



1 Kezdőképernyő ikon	7 Figyelmeztetési állapotsáv
2 Érzékelő neve	8 Dátum
3 SD-memóriakártya ikon	9 Analóg kimeneti értékek
4 Relé állapotjelzője	10 Idő
5 Mérési érték	11 Állapotsáv
6 Mértékegység	12 Mérési paraméter

5. táblázat Az ikonok leírása

Ikon	Leírás
Kezdőképernyő	Az ikon a megjelenített menütől vagy képernyőtől függően változhat. Ha például a készülékbe SD-kártyát helyeztek, és a felhasználó az SD kártya beállítás menüt használja, ezen a helyen az SD-kártya ikon jelenik meg.
SD-memóriakártya	Ez az ikon csak akkor jelenik meg, ha SD-kártyát helyeztek a kártyaolvasó nyílásba. Az ikon a bal felső sarokban látható, ha a felhasználó az SD-kártya beállítás menüt használja.
Figyelmeztetés	A figyelmeztető ikon egy háromszögben található felkiáltójelből áll. A figyelmeztető ikonok a fő kijelző jobb oldalán, a mérési érték alatt jelennek meg. Nyomja meg az ENTER gombot, majd válassza ki az eszközt a hozzá kapcsolódó problémák megtekintéséhez. A figyelmeztető ikonok eltűnnek a problémák megoldása vagy nyugtázása után.
Hiba	A hiba ikon egy körben található felkiáltójelből áll. Hiba esetén a hiba ikon és a mérési képernyő felváltva villog a fő kijelzőn. A hibák megtekintéséhez nyomja meg a MENU (MENÜ) gombot, majd válassza a Diagnositics (Diagnosztika) elemet. Ezt követően válassza ki az eszközt a hozzá kapcsolódó problémák megtekintéséhez.

További kijelzési formátumok

- A Fő mérési képernyőn nyomja meg a **FEL** és **LE** nyílombokat a mérési paraméterek közötti váltáshoz
- A Fő mérési képernyőn nyomja meg a **JOBBRA** nyílombokat legfeljebb 4 mérési paraméter megosztott megjelenítéséhez. Nyomja meg a **JOBBRA** nyílombokat további mérések hozzáadásához. Nyomja meg a **BALRA** nyílombokat a Fő mérési képernyőre történő visszatéréshez, szükség szerint
- A Fő mérési képernyőn nyomja meg a **BALRA** nyílombokat a grafikus megjelenítéshez (a paraméterek meghatározásához lásd: [Grafikus kijelző](#) 368 oldalon). Nyomja meg a **FEL** és **LE** nyílombokat a mérési grafikonok váltásához

Grafikus kijelző

A grafikon koncentrációs és hőmérsékleti méréseket jelenít meg a használatban lévő csatornákhöz. A grafikon lehetővé teszi a trendek egyszerű követését, és mutatja a folyamat változásait.

1. A grafikus kijelző képernyőjén használja a fel és le nyílombokat a grafikonok kiválasztásához, majd nyomja meg a **HOME (KEZDŐLAP)** gombot.
2. Válasszon ki egy opciót:

Opció	Leírás
MÉRÉSI ÉRTÉK	A kiválasztott csatornához állítsa be a mérési értéket. Válasszon az Automatikus skálázás és a Kézi skálázás lehetőségek közül. Manuális skálázáshoz adja meg a minimum és maximum mérési értékeket
DÁTUM- ÉS IDŐTARTOMÁNY	Válassza ki a dátum- és időtartományt a rendelkezésre álló lehetőségek közül

A rendszer elindítása

Az első indításkor a Nyelv, a Dátumformátum és a Dátum/Idő képernyők jelennek meg sorrendben. A beállítások után a vezérlő eszközkeresést hajt végre, és közben a következő üzenetet jeleníti meg: **Eszközők keresése. Kérem, várjon...** Új eszköz észlelését követően a vezérlő végrehajtja a telepítési műveletet a fő mérési képernyő megjelenítése előtt.

Ha a keresés eredményeként a készülék egy előzőleg használt eszközt talál, amelynek beállításai nem voltak módosítva, a keresés befejezése után azonnal megjelenik az első helyen található készülék fő mérési képernyője.

Ha a készüléket eltávolították a vezérlőből, vagy a készülék nem található a következő ki- és bekapcsoláskor, illetve a menüből indított eszközkereséskor, a kijelzőn az **Eszköző hiányzik** üzenet jelenik meg, és a vezérlő a hiányzó eszköz törlését kéri.

Ha csatlakoztatott analóg modulhoz nincs érzékelő kapcsolva, az érzékelő hibát jelez. Ha csatlakoztatva vannak, de a vezérlő nem találja az eszközöket, tekintse meg a következő részt: [Hibaelhárítás](#) 370 oldalon.

A nyelv, dátum és idő beállítása első alkalommal

A vezérlő első bekapcsolásakor, illetve az alapértelmezett beállítások visszaállítását követő újraindítás után, a készülék a nyelv, dátum és idő beállítási képernyőt jeleníti meg. A nyelv, dátum és idő első beállítását követően szükség szerint frissítse az opciókat az sc200 beállítási menüben.

1. A Nyelv képernyőn jelölje ki a nyelvet a listában, majd nyomja meg az **ENTER** gombot. A vezérlő alapértelmezett nyelve angol.
A készülék menti a kijelölt nyelvet. Megjelenik a Dátumformátum képernyő.
2. A Dátumformátum képernyőn jelölje ki a formátumot, majd nyomja meg az **ENTER** gombot. A készülék menti a dátum és idő formátumot. Megjelenik a Dátum / Idő képernyő.
3. A Dátum / Idő képernyőn nyomja meg a **JOBB** vagy **BAL** nyílombokat a mezők kijelöléséhez, majd a **FEL** vagy **LE** nyílombokat az értékek módosításához. Szükség szerint módosítsa a mezőket.
4. Nyomja meg az **ENTER** gombot.
A vezérlő menti a beállításokat, majd eszközkeresést hajt végre. Ha a készülék eszközöket talál, az első helyen található eszköz fő mérési képernyője jelenik meg. Ha a vezérlő nem talál csatlakoztatott eszközöket, tekintse meg a következő részt: [Hibaelhárítás](#) 370 oldalon.

A vezérlő beállítása


Az alábbi táblázat a beállítási lehetőséggel kapcsolatos általános információkat tartalmazza.

1. A beállítások menüből a menüelemekhez való navigáláshoz válassza az sc200 beállítási lehetőséget.

Opció	Leírás
Biztonsági beállítás	Jelszóbeállítások módosítása..
Kimenet beállításai	A vezérlő analóg kimeneteinek beállítása.
Relé beállításai	A vezérlő reléinek beállítása.
Kijelző beállítása	A vezérlő kijelzőjének beállítása
Dátum/idő beállítása	A dátum és idő beállítása a vezérlőn.
Adatnapló beállítása	Az adatrögzítési beállítások módosítása. Csak Számítás létrehozása esetén elérhető.
Adatkezelés	Az adat- vagy eseménynapló megtekintéséhez válassza ki az eszközt a telepített összetevők listájából
Tartó mód hiba	Kimenetek tartása — Kimenet megtartása az utolsó ismert értéknél, ha a vezérlő és az érzékelő közötti kommunikáció megszűnik. Továbbítási kimenetek — Átváltás átviteli módba, ha a vezérlő és az érzékelő közötti kommunikáció megszűnik. A kimenetek átvitele egy előre meghatározott értékre.
Számítás	A vezérlő matematikai funkciójának beállítása
sc200 információk	SZ. VERZIÓ — Megjeleníti a vezérlő aktuális szoftververzióját Rendsz bet ver — Megjeleníti a betöltőprogram aktuális verzióját. A betöltőprogram a vezérlő fő operációs rendszerét betöltő fájl S/N: —Megjeleníti vezérlő sorozatszámát Verzió: —Megjeleníti a vezérlő hardverének aktuális verzióját
Diszkrét bemenet beállítása	Három diszkrét bemeneti csatorna beállítása
Nyelv	A vezérlő nyelvének beállítása.

2. Jelölje ki a beállítást, majd nyomja meg az **ENTER** gombot a menüelem aktiválásához.

Karbantartás

▲ VIGYÁZAT	
	Többszörös veszély. A dokumentumnak az ebben a fejezetében ismertetett feladatokat csak képzett szakemberek végezhetik el.

A vezérlő tisztítása

▲ VESZÉLY



Karbantartási művelet végzése előtt mindig szüntesse meg a vezérlő áramellátását.

Megjegyzés: A vezérlő egyik részének tisztításához se használjon tűzveszélyes vagy maró hatású oldószert. Ilyen oldószert használata ronthatja a termék környezetre tett hatását és érvénytelenítheti a garanciavállalást.

1. Fontos, hogy a vezérlő burkolata biztosan le legyen zárva.
2. Törölje le a vezérlő külső felületét vízzel vagy víz és enyhe tisztítószer keverékével megnedvesített törülővel.

Hibaelhárítás

Probléma	Felbontás
Nincs áramkimenet	Ellenőrizze az áramkimenet konfigurációját.
	Ellenőrizze az áramkimenet jelét a Teszt/Karbantartás almenüben. Vigyen be áramértéket és ellenőrizze a kimeneti jelet a vezérlő csatlakozásainál.
	Forduljon az ügyfélszolgálathoz.
Nem megfelelő áramkimenet	Ellenőrizze az áramkimenet konfigurációját.
	Ellenőrizze az áramkimenet jelét a Teszt/Karbantartás almenüben. Vigyen be áramértéket és ellenőrizze a kimeneti jelet a vezérlő csatlakozásainál. Ha a kimenet nem megfelelő, kalibrálja a kimenetet.
Nem aktiválódik a relé	Ellenőrizze, hogy a relékapcsolatok biztosak-e.
	Külső áramforrás használata esetén ellenőrizze, hogy a relé vezetékezése megfelelő-e.
	Ellenőrizze, hogy a relé megfelelően van-e konfigurálva.
	Ellenőrizze a reléaktiválást a Teszt/Karbantartás menüben. A relének a kijelölés szerint kell be- és kikapcsolnia.
	Győződjön meg róla, hogy a vezérlő nincs-e kalibrálás módban és a relé nincs-e tartva.
Állítsa vissza a túlradagolási időzítőt annak érdekében, hogy az időzítő ne járjon le.	
A vezérlő nem ismeri fel az SD-kártyát	Ellenőrizze, hogy az SD-kártyát a helyes irányban helyezte-e be. A réz érintkezőknek a vezérlő kijelzője felé kell nézniük.
	Ellenőrizze, hogy az SD-kártya teljesen be van-e helyezve a nyílásba, és reteszelve van-e.
	Győződjön meg róla, hogy az SD-kártya FAT 32 formátumban van-e formázva. A készülék nem támogatja az MMC-formátumot. Kövesse a gyártó útmutatását az SD-kártya formázásához számítógépen.
	A kártya nem lehet 32 GB-nál nagyobb kapacitású.
	Ellenőrizze, hogy valóban SD típusú kártyát használ-e. Más kártyatípusok (például xSD, micro SD, mini SD) nem működnek megfelelően.

Probléma	Felbontás
Nem történik adatmentés, vagy nem megfelelő az adatmentés az SD-kártyára	Győződjön meg róla, hogy az SD-kártya FAT 32 formátumban van-e formázva. A készülék nem támogatja az MMC-formátumot. Kövesse a gyártó útmutatását az SD-kártya formázásához számítógépen.
	Ha az SD-kártya korábban már használva volt, formázza a kártyát FAT 32 formátumban, helyezze be a kártyát a vezérlőbe, majd próbálja letölteni a fájlokat.
	Próbáljon ki egy másik SD-kártyát.
Megtelt az SD-kártya	Olvassa be az SD-kártyát egy számítógépen vagy más kártyaolvasó eszközön. Mentse el a fontos fájlokat, majd az SD-kártyán töröljön belőlük néhányat vagy az összeset.
A vezérlő nem találja a szoftverfrissítéseket az SD-kártyán.	Ellenőrizze, hogy létrejön-e a telepítési mappa, amikor az SD-kártyát behelyezi a vezérlőbe. A készülék automatikusan létrehozza a frissítési mappát.
	Olvassa be az SD-kártya tartalmát számítógépen, és ellenőrizze, hogy a szoftverfájlok a megfelelő frissítési mappában találhatóak-e.
	Ha egy SD-kártyát több vezérlőn használ, az egyes vezérlők külön mappát hoznak létre a rendszeren. Ellenőrizze, hogy a szoftverfrissítések a használt vezérlőhöz tartozó mappában találhatóak-e.
A kijelző világít, de a karakterek halványan, elmosódottan vagy egyáltalán nem látszanak.	A kijelző kontrasztjának beállítása
	Ellenőrizze, hogy eltávolította-e a védőfilmet a kijelzőről.
	Tisztítsa meg a vezérlő külsejét, és a kijelzőt is.
A vezérlő nem kapcsol be, vagy megszakításokkal kapcsol be	Ellenőrizze, hogy a váltakozó feszültségű tápcsatlakozások megfelelően le vannak-e zárva a vezérlőben.
	Ellenőrizze, hogy megfelelően van-e csatlakoztatva a hosszabbító, a tápkábel és a fali csatlakozó.
	Forduljon az ügyfélszolgálathoz
A hálózati vagy érzékelő modult nem ismeri fel a készülék	Ellenőrizze, hogy a modul megfelelően lett-e telepítve.
	Ellenőrizze, hogy a modulválasztó kapcsoló a helyes számra van-e állítva.
	Távolítsa el az érzékelő modult, és csatlakoztassa a második analóg bővítőhelyhez. Kapcsolja be a vezérlőt, hogy a készülék automatikusan keresse a csatlakoztatott eszközöket.
	Forduljon az ügyfélszolgálathoz.

Probléma	Felbontás
<p>A készülék nem ismeri fel az érzékelőt</p> <p>Megjegyzés: Példa a kijelzőn megjelenő üzenetre: ****</p>	<p>Analóg érzékelő és a megfelelő modul csatlakoztatása esetén további tudnivalókat a hálózati vagy érzékelő modulhoz mellékelt útmutatóban olvashat.</p>
	<p>Ellenőrizze, hogy a digitális csatlakozó kábelkötege az ajtószerkezet belső oldalán helyezkedik-e el és a kábelköteg nem sérült-e.</p>
	<p>Ha a digitális érzékelő digitális lezáródobozzal, felhasználó által beszerzett csatlakozódobozzal, digitális hosszabbítóval vagy felhasználó által beszerzett hosszabbítóval csatlakozik a vezérlőhöz, csatlakoztassa az érzékelőt közvetlenül a vezérlőhöz és hajtson végre eszközkeresést. Ha a vezérlő felismeri az érzékelőt, ellenőrizze a vezetékeket a hosszabbítókban és a csatlakozódobozokban.</p>
	<p>Győződjön meg arról, hogy a vezérlőhöz legfeljebb két érzékelő csatlakozik. Bár két analóg modulport áll rendelkezésre, ha egy digitális érzékelőt és két analóg modult csatlakoztat, a vezérlő a három eszközből csak kettőt érzékel.</p>
	<p>Forduljon az ügyfélszolgálathoz</p>
<p>Eszköz hiányzik hibaüzenet jelenik meg</p>	<p>Hajtson végre eszközkeresést a Teszt/Karbantartás menüből.</p>
	<p>Kapcsolja ki, majd be a vezérlőt.</p>

Cuprins

[Caracteristici tehnice](#) de la pagina 373

[Pornirea sistemului](#) de la pagina 395

[Informații generale](#) de la pagina 374

[Întreținerea](#) de la pagina 396

[Instalarea](#) de la pagina 377

[Depanare](#) de la pagina 397

[Interfața pentru utilizator și navigarea](#) de la pagina 392

Informații suplimentare

Informații suplimentare sunt disponibile pe site-ul web al producătorului.

Caracteristici tehnice

Specificațiile pot face obiectul unor schimbări fără notificare prealabilă.

Caracteristică tehnică	Detalii
Descriere componente	Controllerul controlat de microprocesor și cu acționare din meniu operează senzorul și afișează valorile măsurate.
Temperatură de funcționare	de la -20 la 60 °C (de la -4 la 140 °F); 95% umiditate relativă, fără condens, cu sarcină a senzorului < 7 W; de la -20 la 50 °C (de la -4 la 104 °F) cu sarcină a senzorului < 28 W
Temperatură de depozitare	de la -20 la 70 °C (de la -4 la 158 °F); 95% umiditate relativă, fără condens
Carcasa ¹	Incinta metalică NEMA 4X/IP66 cu finisare rezistentă la coroziune
Cerințe de alimentare	Controller alimentat la c.a.: 100-240 V c.a. ±10%, 50/60 Hz; Putere 50 VA cu sarcină modul senzor/rețea de 7 W, 100 VA cu sarcină modul senzor/rețea de 28 W (opțional, conexiune la rețea Modbus RS232/RS485, Profibus DPV1 sau HART).
	Controller alimentat 24 V c.c.: 24 V c.c. —15%, + 20%; Putere 15 W cu sarcină modul senzor/rețea de 7 W, 40 W cu sarcină modul senzor/rețea de 28 W (opțional, conexiune la rețea Modbus RS232/RS485, Profibus DPV1 sau HART).
Cerințe privind altitudinea	Standard 2000 m (6562 ft) deasupra nivelului mării
Grad de poluare/Categoria de instalare	Grad de poluare 2; Categoria de instalare II
Ieșiri	Două ieșiri analogice (0-20 mA sau 4-20 mA). Fiecare ieșire analogică poate fi alocată în vederea reprezentării unui parametru măsurat, precum pH, temperatură, debit sau valori calculate. Modulul opțional furnizează trei ieșiri analogice suplimentare (5 în total).
Relee	Patru contacte alternative bipolare, configurate de utilizator, cu valoare nominală de 250 V c.a., 5 A rezistivă maximă pentru controllerul alimentat c.a. și 24 V c.c., 5 A rezistivă maximă pentru controllerul alimentat c.c. Releele sunt proiectate pentru conexiune la circuitele principale c.a. (respectiv, când este operat cu putere 115 - 240 V c.a.) sau circuite c.c. (respectiv, când este operat cu putere 24 V c.c.).
Dimensiuni	½ DIN—144 x 144 x 180,9 mm (5,7 x 5,7 x 7,12 in.)
Masă	1,7 kg (3,75 lb)
Informații referitoare la conformitate ²	Aprobat CE (cu toate tipurile de senzori). Listat pentru utilizare în locații generale la standarde de siguranță UL și CSA de ETL (cu toate tipurile de senzori). Anumite modele alimentate cu c.a. de la rețea sunt listate pentru utilizarea în locații generale conform standardelor de siguranță UL și CSA de către Underwriters Laboratories (cu toate tipurile de senzori).
Comunicație digitală	Opțional, conexiune la rețea Modbus RS232/RS485, Profibus DPV1 sau HART pentru transmisia de date

Caracteristică tehnică	Detalii
Înregistrarea datelor	Secure Digital Card (maxim 32 GB) sau conector special pentru cablu RS232 pentru înregistrarea datelor și efectuarea actualizărilor de software. Controllerul va menține aproximativ 20.000 de puncte de date pe fiecare senzor.
Garanție	2 ani

¹ Unitățile care dețin certificarea Underwriters Laboratories (UL) sunt concepute exclusiv pentru utilizarea în interior și nu sunt evaluate NEMA 4X/IP66.

² Aparatele alimentate cu c.c. nu sunt listate de UL.

Informații generale

Producătorul nu se face responsabil în nicio situație de deteriorări directe, indirecte, speciale, accidentale sau pe cale de consecință ce ar rezulta din orice defect sau omisiune din acest manual. Producătorul își rezervă dreptul de a efectua modificări în acest manual și produselor pe care le descrie, în orice moment, fără notificare sau obligații. Edițiile revizuite pot fi găsite pe site-ul web al producătorului.

Informații privind siguranța

NOTĂ

Producătorul nu este responsabil pentru daunele cauzate de utilizarea incorectă a acestui produs, inclusiv și fără a se limita la daunele directe, accidentale sau pe cale de consecință și neagă responsabilitatea pentru astfel de daune în măsura maximă permisă de lege. Utilizatorul este unicul responsabil pentru identificarea riscurilor critice și pentru instalarea de mecanisme corespunzătoare pentru protejarea proceselor în cazul unei posibile defectări a echipamentului.

Citiți în întregime manualul înainte de a despacheta, configura și utiliza aparatura. Respectați toate atenționările de pericol și avertismentele. Nerespectarea acestei recomandări poate duce la vătămări serioase ale operatorului sau la avarieri ale echipamentului.

Verificați dacă protecția cu care este prevăzută aparatura nu este defectă. Nu utilizați sau nu instalați aparatura în niciun alt mod decât cel specificat în prezentul manual.

Informații despre utilizarea produselor periculoase

▲ PERICOL

Indică o situație riscantă posibilă sau iminentă care, dacă nu este evitată, va avea ca rezultat moartea sau rănirea.

▲ AVERTISMENT

Indică o situație periculoasă în mod potențial sau iminent care, dacă nu este evitată, poate conduce la deces sau la o vătămare corporală gravă.

▲ ATENȚIE





Indică o situație periculoasă în mod potențial sau iminent care poate conduce la o vătămare corporală minoră sau moderată.

NOTĂ

Indică o situație care, dacă nu este evitată, poate provoca defectarea aparatului. Informații care necesită o accentuare deosebită.

Etichete de avertizare

Citiți toate etichetele și toate avertismentele cu care este prevăzut instrumentul. În caz de nerespectare se pot produce vătămări personale sau avarieri ale instrumentului. Toate simbolurile de pe instrument sunt menționate în manual cu câte o afirmație de avertizare.

	Acest simbol, dacă este notat pe instrument, se regăsește în manualul de instrucțiuni referitor la funcționare și/sau siguranță.
	Acest simbol indică existența unui risc de electrocutare.
	Acest simbol indică prezența dispozitivelor sensibile la descărcări electrostatice (ESD) și faptul că trebuie să acționați cu grijă pentru a preveni deteriorarea echipamentului.
	Aparatura electrică inscripționată cu acest simbol nu poate fi eliminată în sistemele publice europene de deșeuri după 12 august 2005. În conformitate cu reglementările europene locale și naționale (Directiva UE 2002/96/EC), utilizatorii europeni de aparatură electrică au acum obligația de a returna producătorului aparatura veche sau care se apropie de sfârșitul duratei de utilizare în vederea eliminării acesteia, fără a se percepe vreo taxă utilizatorului.

Certificare

Reglementările canadiene privind echipamentele care produc interferențe radio, IECS-003, clasa A:

Înregistrările testelor de asistență sunt oferite de producător.

Acest aparat digital de clasă A întrunește toate cerințele reglementărilor canadiene privind echipamentele care produc interferențe.

Cet appareil numérique de classe A répond à toutes les exigences de la réglementation canadienne sur les équipements provoquant des interférences.

FCC Partea 15 limite clasă „A”

Înregistrările testelor de asistență sunt oferite de producător. Acest dispozitiv este conform cu Partea 15 din Regulile FCC. Funcționarea se supune următoarelor condiții:

1. Este posibil ca echipamentul să nu genereze interferențe dăunătoare.
2. Echipamentul trebuie să accepte orice interferențe recepționate, inclusiv interferențe care pot provoca funcționare nedorită.

Schimbările sau modificările aduse acestui echipament care nu sunt în mod expres aprobate de partea responsabilă pentru respectarea standardelor, pot conduce la anularea autorității utilizatorului de a folosi acest aparat. Acest aparat a fost testat și s-a constatat că respectă limitele pentru aparate digitale de clasă A, conform Părții 15 a Regulilor FCC. Aceste limite sunt stabilite pentru a asigura o protecție rezonabilă împotriva interferențelor dăunătoare atunci când aparatura este exploatată în condiții comerciale. Acest echipament generează, folosește și poate radia energie cu frecvență radio și, dacă nu este instalat și folosit în conformitate cu manualul de instrucțiuni, poate cauza interferențe dăunătoare asupra comunicațiilor radio. Este probabil ca exploatarea acestui echipament într-o zonă rezidențială să producă interferențe dăunătoare, caz în care utilizatorului i se va solicita să remedieze interferența pe propria cheltuială. Pentru a reduce problemele de interferențe pot fi utilizate următoarele tehnici:

1. Deconectați echipamentul de la sursa de curent pentru a verifica dacă reprezintă sau nu sursa interferențelor.
2. Dacă echipamentul este conectat la aceeași priză ca dispozitivul care prezintă interferențe, conectați echipamentul la o altă priză.
3. Depărtați echipamentul de dispozitivul care recepționează interferențe.

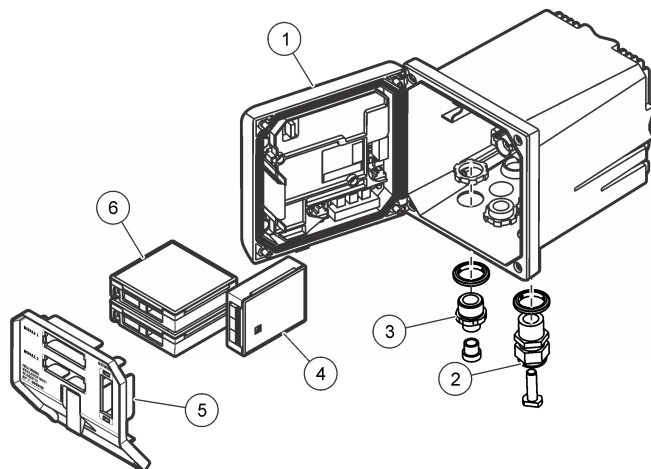
4. Repoziționați antena de recepție a dispozitivului afectat de interferență.
5. Încercați combinații ale soluțiilor de mai sus.

Prezentare generală a produsului

Controllerul afișează măsurătorile senzorului și alte date, poate transmite semnale analogice și digitale și poate interacționa cu și controla alte dispozitive prin ieșiri și relee. Ieșirile, releele, senzorii și modulele de senzori sunt configurate și calibrate prin intermediul interfeței cu utilizatorul din partea frontală a controllerului.

Figura 1 prezintă componentele produsului. Componentele pot varia în funcție de configurația controllerului. Contactați producătorul dacă există părți deteriorate sau lipsă.

Figura 1 Componente de sistem



1 Controller	4 Modul de rețea (opțional)
2 Ansamblul clemei de întindere (opțional, în funcție de versiunea controllerului)	5 Ecran de protecție împotriva tensiunilor înalte
3 Fiting conectare digitală (opțional, în funcție de versiunea controllerului)	6 Module de senzori (opțional)

Senzori și module de senzori

Controllerul acceptă până la maxim două module de senzori sau doi senzori digitali (în funcție de configurația controllerului), împreună cu un modul de comunicare. Un singur senzor digital și un singur modul de senzori pot fi instalate în combinație. O varietate de senzori pot fi conectați la modulele de senzori. Informațiile privind cuplarea senzorilor sunt date în manualele specifice de senzori și în instrucțiunile pentru utilizatori pentru module specifice.

Relee, ieșiri și semnale

Controllerul are patru comutatoare de releu configurabile și două ieșiri analogice. Un modul opțional cu ieșiri analogice poate crește la cinci numărul ieșirilor analogice.

Scanări de dispozitive

Cu două excepții, controllerul scanează automat dispozitivele conectate fără interacțiunea utilizatorului, atunci când este pornit. Prima excepție se produce când controllerul este pornit prima oară după utilizarea inițială. A doua excepție se produce după ce setările de configurare a controllerului au fost setate la valori prestabilite și controllerul este pornit. În ambele cazuri, controllerul afișează mai întâi ecranele de editare pentru limbă, dată și oră. După ce sunt acceptate intrările pentru limbă, dată și oră, controllerul efectuează o scanare a dispozitivelor. Consultați [Conectarea unui senzor sc digital](#) de la pagina 391 pentru instrucțiuni referitoare la cum să căutați dispozitive atunci când controllerul este deja pornit.

Incinta controllerului

Incinta controllerului este evaluată NEMA 4X/IP66 și are o finisare rezistentă la coroziune, proiectată să reziste la elementele corozive din mediu, cum ar fi ceața salină și hidrogenul sulfurat. Protecția împotriva deteriorării în mediu este strict recomandată pentru utilizarea în exterior.

Notă: Unitățile care dețin certificarea Underwriters Laboratories (UL) sunt concepute exclusiv pentru utilizarea în interior și nu sunt evaluate NEMA 4X/IP66.

Opțiuni de montare a controllerului

Controllerul poate fi montat la un panou, un perete sau o țevă verticală sau orizontală. O garnitură de etanșare din neopren este inclusă și poate fi utilizată pentru a reduce vibrațiile. Garnitura poate fi utilizată ca un șablon pentru montarea la panou înainte de separarea componentei interioare a garniturii.

Instalarea

Componente și dimensiuni de montare

⚠ ATENȚIE

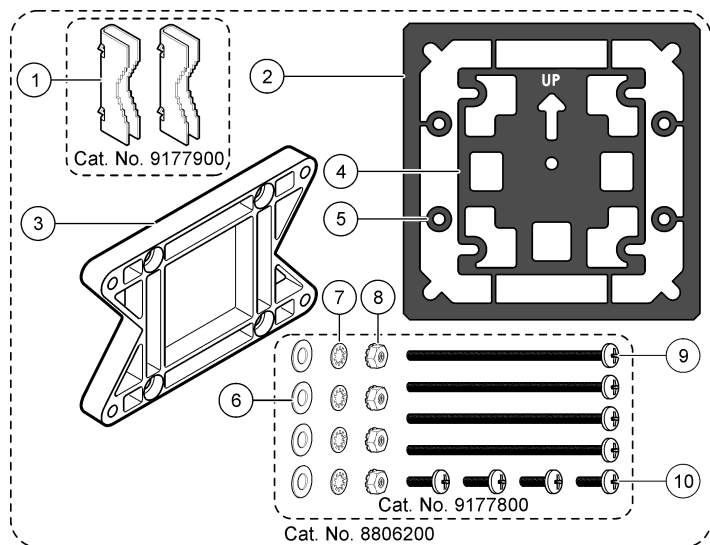
Pericol de rănire. Numai personalul calificat trebuie să efectueze operațiile descrise în această secțiune a manualului.

Controlerul poate fi instalat pe o suprafață, pe un panou sau pe o conductă (orizontală sau verticală). Pentru instrucțiuni și opțiuni de montare, consultați [Figura 2](#), [Figura 3](#) de la pagina 379, [Figura 4](#) de la pagina 380, [Figura 5](#) de la pagina 381 și [Figura 6](#) de la pagina 382.

La montările de țevi orizontale, [Figura 2](#) picioarele de montare trebuie atașate la suportul de montare în poziție verticală.

La montările de țevi atât orizontale, cât și verticale, atașați suportul de montare la controler așa cum se arată în [Figura 5](#) de la pagina 381.

Figura 2 Componente de montare



1 Picior de montare (2x)	6 Șaibă plată, DI ¼-inchi (4x)
2 Garnitură de etanșare pentru sigilarea panoului, neopren	7 Șaibă de blocare, DI ¼-inchi (4x)
3 Suport pentru montarea pe perete și pe țeavă	8 Piuliță hexagonală cu clichete M5 x 0,8 (4x)
4 Garnitură de izolare la vibrații pentru montarea pe țeavă.	9 Șuruburi cu cap plat, M5 x 0,8 x 100 mm (4x) (Utilizați pentru instalații de montare a țevilor cu diametru variabil)
5 Șaibă de izolare vibrații pentru montarea pe țeavă (4x)	10 Șuruburi cu cap plat, M5 x 0,8 x 15 mm (4x)

Notă: O bridă pentru montajul panourilor este disponibil ca accesoriu opțional.

Montarea controlerului

Figura 3 Dimensiuni de montaj suprafață

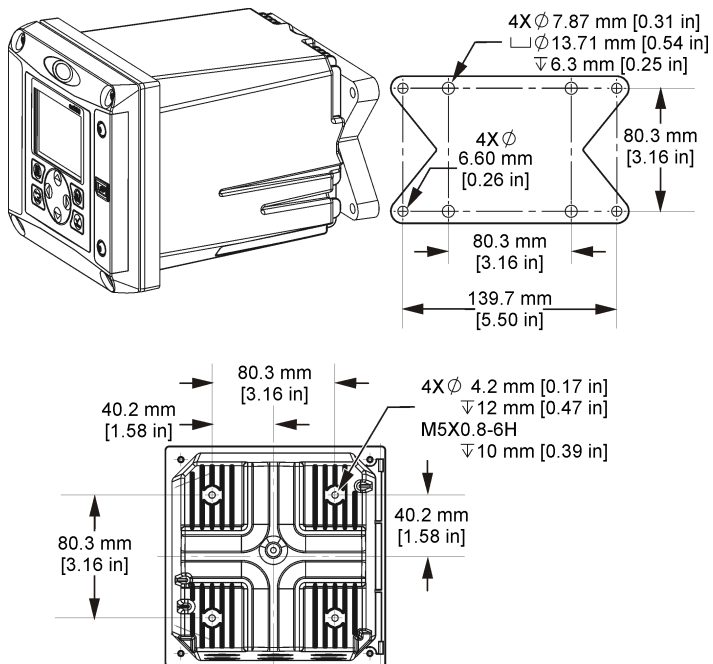
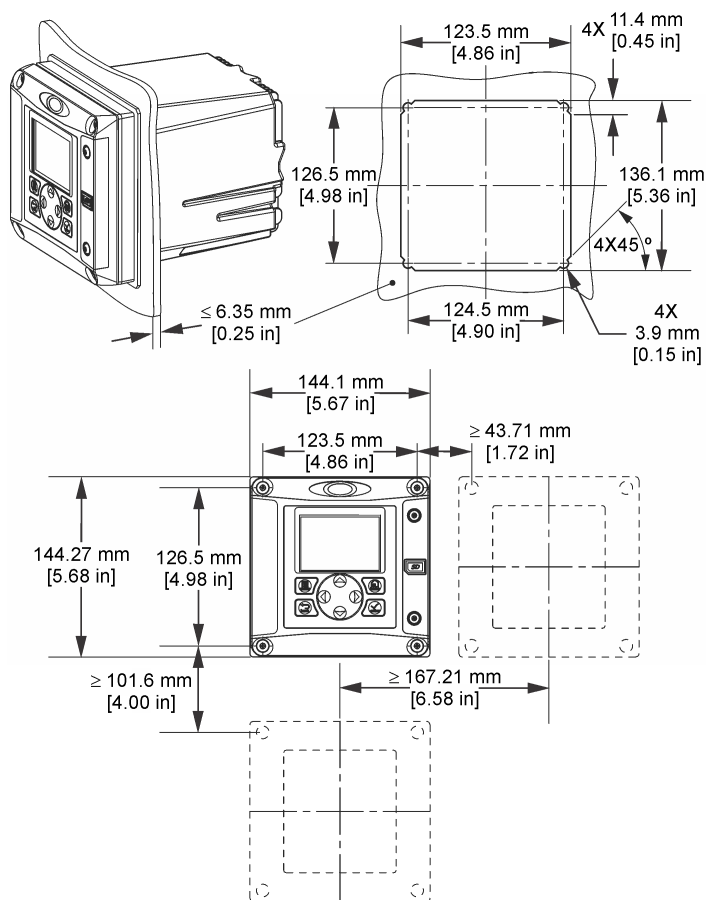


Figura 4 Dimensiuni de montaj panou



Notă: Dacă utilizați brida (opțională) pentru montajul panourilor, împingeți controllerul prin orificiul din panou și apoi glisați brida peste controller pe partea din spate a panoului. Utilizați patru șuruburi cu cap conic de 15 mm (furnizate) pentru a atașa brida pe controller și pentru a fixa controllerul pe panou.

Figura 5 Montare pe țevă (țevă verticală)

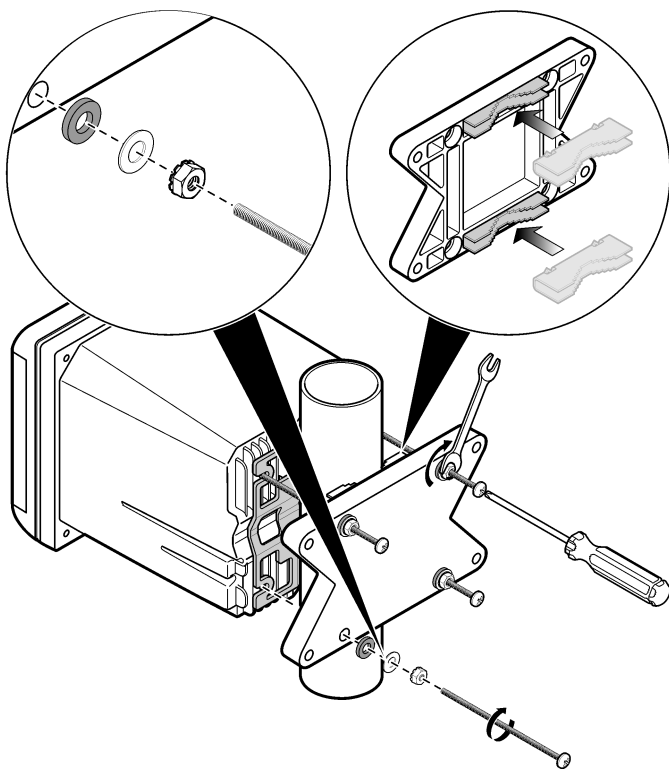
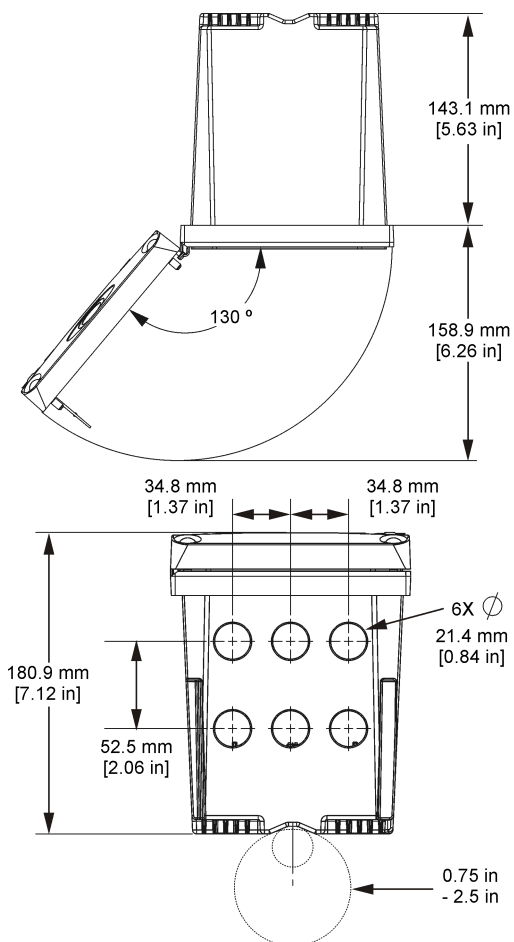


Figura 6 Vederi de sus și de jos



ECRAN DE PROTECȚIE ÎMPOTRIVA TENSIUNILOR ÎNALTE

Cablurile de înaltă tensiune folosite pentru controler sunt localizate în spatele ecranului de protecție împotriva tensiunilor înalte din incinta controlerului. Ecranul de protecție trebuie să rămână montat, cu excepția cazului în care se montează module sau când tehnicianul calificat de montare cablează alimentarea electrică, alarmele, ieșirile sau releele. Nu îndepărtați ecranul de protecție când controlerul se află sub tensiune.

CONSIDERAȚII PRIVIND DESCĂRCAREA ELECTROSTATICĂ

NOTĂ



Defecțiuni potențiale ale instrumentului. Componentele electronice interne sensibile pot fi deteriorate de electricitatea statică, provocând reducerea performanțelor aparatului sau chiar avarii.

Consultați pașii din această procedură pentru a preveni deteriorarea instrumentului prin descărcare electrostatică.

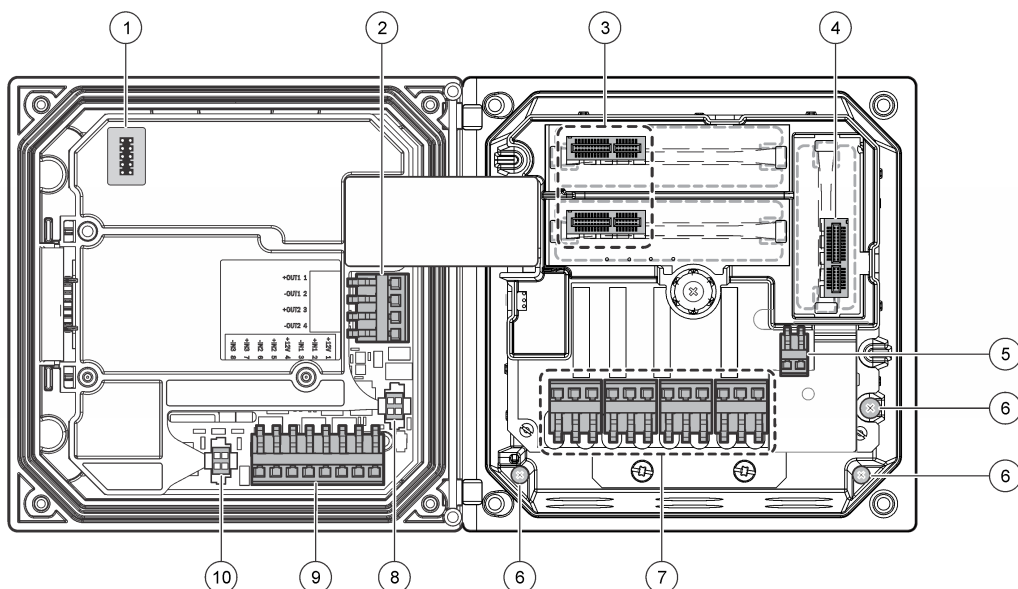
- Atingeți o suprafață metalică conectată la împământare, precum carcasa unui instrument, o conductă sau o țevă metalică pentru a descărca electricitatea statică din corp.
- Evitați mișcarea excesivă. Transportați componentele sensibile la electricitatea statică în recipiente sau ambalaje antistatice.
- Purtați o brățară conectată cu un cablu la împământare.
- Lucrați într-o zonă fără electricitate statică cu căptușeală de podea antistatică și cu căptușeală de bancă de lucru antistatică.

Prezentare generală a cablării

Figura 7 furnizează o prezentare generală a conexiunilor de cuplare din interiorul controllerului cu ecranul de protecție împotriva tensiunilor înalte îndepărtat. Partea stângă a figurii prezintă partea din spate a capacului controllerului.

Notă: Eliminați capacele conectorilor din conectori înainte de instalarea modului.

Figura 7 Prezentare generală a conexiunilor de cablare



1 Conexiunea cablului de service	5 Conector de alimentare c.a. și c.c. ¹	9 Conector pentru cabluri cu intrare discretă ¹
2 leșire 4-20 mA ¹	6 Borne de siguranță	10 Conector senzor digital ¹
3 Conector modul senzor	7 Conexiuni releu ¹	
4 Conector modul de comunicare (de ex., Modbus, Profibus, HART, modul 4-20 mA opțional etc.)	8 Conector senzor digital ¹	

¹ Bornele pot fi demontate pentru facilitarea accesului.

Conectarea la o sursă electrică

⚠ AVERTISMENT



Pericol potențial de electrocutare. Întrerupeți întotdeauna alimentarea instrumentului atunci când realizați conexiuni electrice.

⚠ AVERTISMENT



Pericol potențial de electrocutare. Dacă acest echipament este utilizat în aer liber sau în locații cu potențial de umiditate, trebuie utilizat un dispozitiv **întrerupere defecțiune masă** pentru conectarea echipamentului la sursa de alimentare principală.

⚠ PERICOL



Pericol de electrocutare. Nu conectați alimentarea CA la un model alimentat la 24 V c.c.

⚠ AVERTISMENT



Pericol potențial de electrocutare. O conexiune la masă de protecție (PE) este necesară pentru ambele aplicații cu cablu 100-240 V c.a. și 24 V c.c. În cazul în care nu realizați o conexiune la masă PE bună se poate ajunge la pericol de șoc și la performanțe slabe datorită interferențelor electromagnetice. Conectați ÎNTOTDEAUNA o masă PE bună la terminalul controllerului.

NOTA

Instalați dispozitivul într-o locație și poziție care oferă acces ușor la dispozitivul de deconectare și la utilizarea acestuia.

Controllerul poate fi achiziționat fie ca model cu alimentare 100-240 V CA, fie ca model cu alimentare 24 V CC. Urmăriți instrucțiunile de cuplare corespunzătoare pentru modelul achiziționat.

Controllerul poate fi cuplat pentru alimentare de la rețea prin cablare în tuburi sau cuplare la un cablu de alimentare. Indiferent de cablu utilizat, conexiunile sunt făcute la aceleași borne. De asemenea, este necesar un mecanism de decuplare proiectat în conformitate cu regulamentul local de manevrare a cablurilor electrice, aplicabil în cazul tuturor tipurilor de instalații. În cazul aplicațiilor conectate, căderile de tensiune pentru curent electric și circuitul de siguranță al mecanismului trebuie să se încadreze între 18 și 12 AWG.

Note:

- Ecranul de protecție împotriva tensiunilor trebuie îndepărtat înainte de a realiza orice conexiuni electrice. După realizarea tuturor conexiunilor, montați la loc ecranul de protecție împotriva tensiunilor înainte de închiderea capacului controllerului.
- O clemă de întindere pentru etanșeizare și un cablu de alimentare mai scurt de 3 metri (10 picioare) cu trei conductori de calibrare, cu diametru 18 (inclusiv un cablu pentru circuitul de siguranță) pot fi utilizați pentru a menține evaluarea de mediu NEMA 4X/IP66.
- Controllerele pot fi comandate cu cabluri de alimentare c.a. preinstalate. Pot fi comandate și cabluri de alimentare suplimentare.
- Sursa de alimentare c.c. care alimentează controllerul alimentat 24 V c.c. trebuie să mențină reglarea de tensiune între limitele specificate de tensiune 24 V c.c. de 15% +20%. De asemenea, sursa de alimentare c.c. trebuie să furnizeze protecție corespunzătoare împotriva supratensiunilor și fenomenelor tranzitorii în linie.

Procedura de cuplare

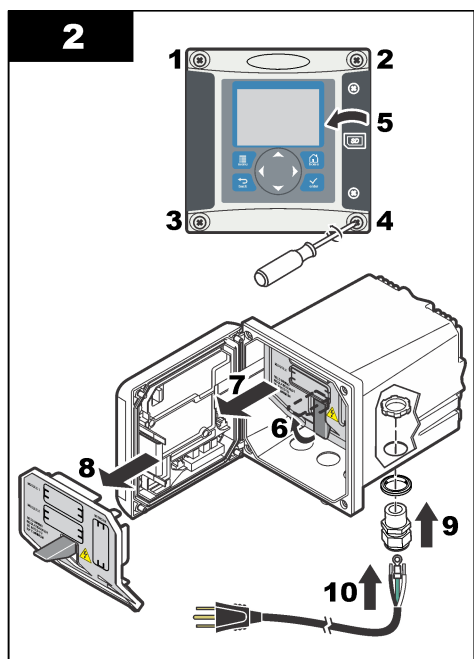
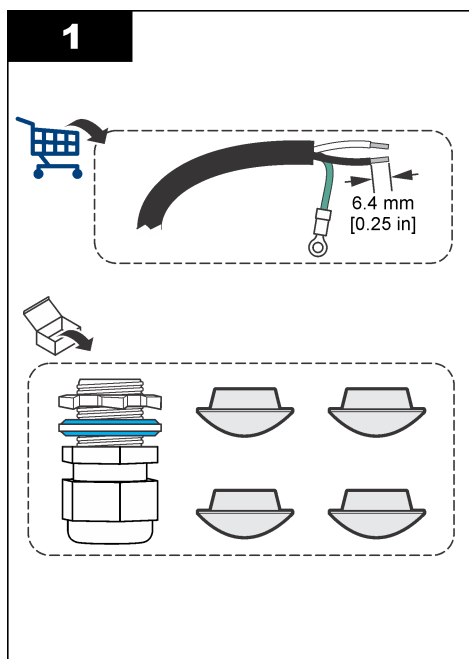
Consultați pașii ilustrați în continuare și [Tabelul 1](#) sau [Tabelul 2](#) pentru a conecta controllerul la sursa de alimentare. Introduceți fiecare cablu în borna corespunzătoare până ce izolația este așezată pe un conector fără cablu gol expus. Trageți ușor de fir după introducerea pentru a vă asigura de siguranța conectării. Etanșezați toate fantele neutilizate din cutia controllerului cu mase obturatoare conductoare pentru deschidere și etanșeizare.

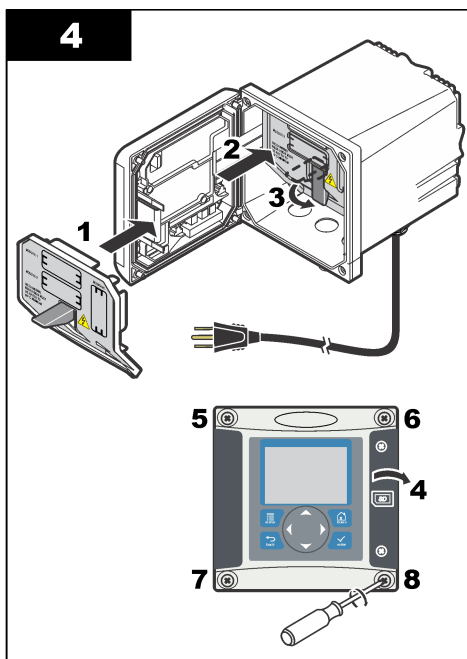
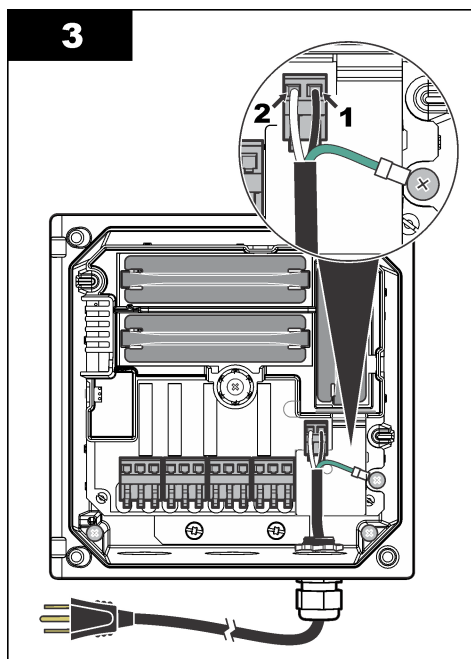
Tabelul 1 Informații privind cuplarea la o sursă c.a. (doar pentru modelele cu alimentare c.a.).

Terminal	Descriere	Culoare—America de Nord	Color—UE
1	Fierbinte (L1)	Negru	Maro
2	Neutru (N)	Alb	Albastru
—	Bornă de legare la pământ în circuitul de protecție prin împământare (PE)	Verde	Verde cu dungă galbenă

Tabelul 2 Informații privind cuplarea la o sursă c.c. (doar pentru modelele cu alimentare c.c.).

Terminal	Descriere	Culoare—America de Nord	Color—UE
1	+24 V c.c.	Roșu	Roșu
2	Circuit invers 24 V c.c.	Negru	Negru
—	Bornă de legare la pământ în circuitul de protecție prin împământare (PE)	Verde	Verde cu dungă galbenă





Alarmer și releer

Controlerul este echipat cu patru releer nealimentate, monopolare, de 100-250 V c.a., 50/60 Hz, 5 A rezistiv maxim. Contactele sunt evaluate la 250 V c.a., 5 A rezistiv maxim pentru controlerul alimentat c.a. și 24 V c.c., 5 A rezistiv maxim pentru controlerul alimentat c.c. Releer nu sunt evaluate pentru sarcini inductive.

Releer de cuplare

⚠ AVERTISMENT



Pericol potențial de electrocutare. Întrerupeți întotdeauna alimentarea instrumentului atunci când realizați conexiuni electrice.

⚠ AVERTISMENT



Pericol potențial de incendiu. Contactele releerului au valoarea nominală de 5 A și nu au siguranțe fuzibile. Sarcinile externe conectate la releer trebuie să aibă dispozitive de limitare a curentului pentru a limita curentul la < 5 A.

⚠ AVERTISMENT



Pericol potențial de incendiu. Nu legați zilnic conexiunile de releer normale sau cablul de șuntare de la conexiunea la rețea în interiorul instrumentului.

⚠ AVERTISMENT



Pericol potențial de electrocutare. Pentru a menține evaluările de mediu NEMA/IP ale incintei, utilizați doar garniturile de conductă și garniturile de etanșare a cablurilor care sunt evaluate cel puțin pentru NEMA 4X/IP66 pentru a lega cablurile de instrument.

Controlerere alimentare c.a. (100—250 V)

Compartimentul de cuplare nu este proiectat pentru conexiuni la tensiuni peste 250 V c.a.

Controllere alimentare de 24 V c.c.

⚠️ AVERTISMENT



Pericol potențial de electrocutare. Controllerele alimentate cu c.a. de la rețea (115 V–230 V) sunt proiectate pentru conectarea la circuitele de rețea de c.a. (adică tensiuni mai mari de 16 V-RMS, 22,6 V-PEAK sau 35 V c.c.).

⚠️ AVERTISMENT



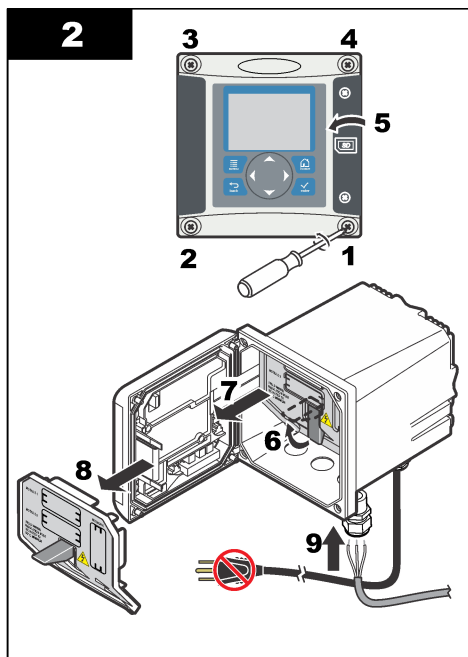
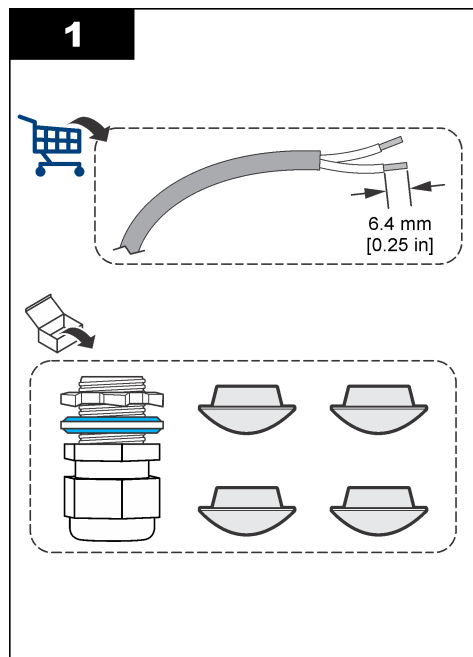
Pericol potențial de electrocutare. Controllerele alimentate la 24 V sunt proiectate pentru conectarea la circuite de joasă tensiune (adică tensiuni mai mici de 16 V-RMS, 22,6 V-PEAK sau 35 V c.c.).

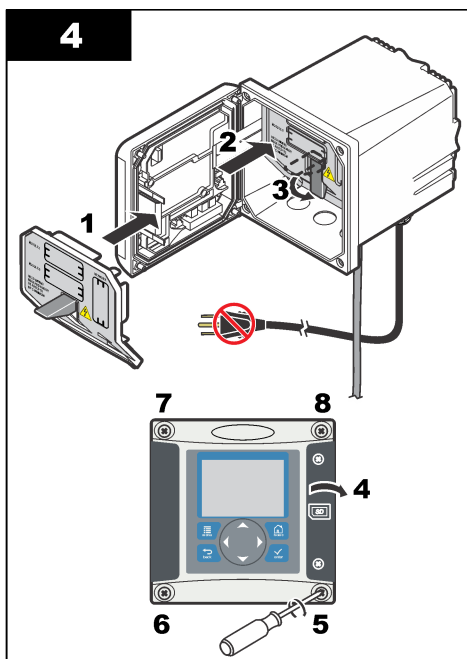
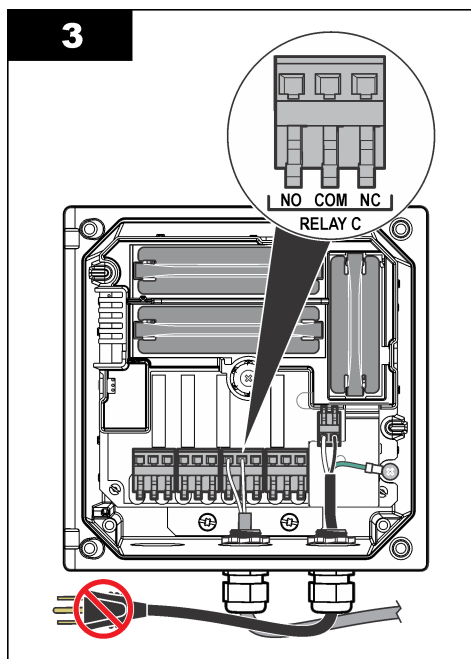
Releele controllerului de 24 V c.c. sunt proiectate pentru conectarea la circuite de tensiune joasă (adică, tensiuni sub 30 V-RMS, 42,2 V-PEAK sau 60 V c.c). Compartimentul de cuplare nu este proiectat pentru conexiuni la tensiuni peste aceste niveluri.

Conectorul releului acceptă un cablaj de 18-12 AWG (în conformitate cu aplicația sarcinii). Nu se recomandă indicatoare de cablu mai mici de 18 AWG.

Contactele releului Normal deschis (ND) și Obișnuit (COM) vor fi conectate când o alarmă sau o altă condiție este activă. Contactele releului Normal închis (NÎ) și Obișnuit (COM) vor fi conectate când o alarmă sau o altă condiție este inactivă (cu excepția cazului în care Autoprotecție este setat la Da) sau când controllerul nu este alimentat.

Majoritatea contactelor releului utilizează fie bornele NO și COM, fie bornele NC și COM. Pașii de instalare numerotați prezintă conectarea la bornele ND și COM.





Conexiuni de ieșire analogică

⚠ AVERTISMENT



Pericol potențial de electrocutare. Întrerupeți întotdeauna alimentarea instrumentului atunci când realizați conexiuni electrice.

⚠ AVERTISMENT



Pericol potențial de electrocutare. Pentru a menține evaluările de mediu NEMA/IP ale incintei, utilizați doar garniturile de conductă și garniturile de etanșare a cablurilor care sunt evaluate cel puțin pentru NEMA 4X/IP66 pentru a lega cablurile de instrument.

Sunt furnizate două ieșiri analogice izolate (1 și 2) **Figura 8**. Astfel de ieșiri sunt utilizate în mod normal pentru semnalizare analogică sau controlul altor dispozitive externe.

Realizați conexiunile la controller așa cum se arată în **Figura 8** și **Tabelul 3**.

Notă: **Figura 8** arată spatele capacului controllerului și nu interiorul compartimentului principal al controllerului.

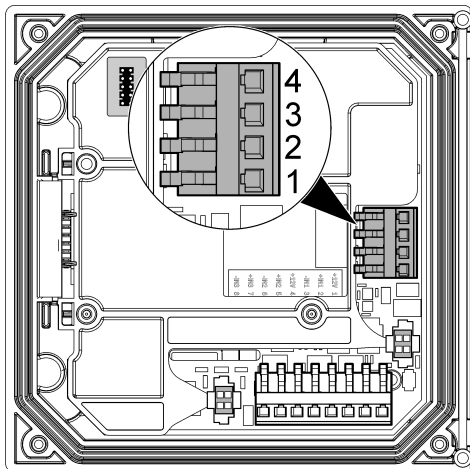
Tabelul 3 Conexiuni de ieșire

Cablurile înregistratorului	Poziția pe placa cu circuite
ieșire 2-	4
ieșire 2+	3
ieșire 1-	2
ieșire 1+	1

1. Deschideți capacul controllerului.
2. Introduceți cablurile prin clema de întindere.
3. Ajustați cablul după necesități și strângeți clema de întindere.

4. Faceți conexiuni cu cablul pereche torsadat și ecranat și conectați protecția la capătul componentei controlate sau la capătul buclei de control.
 - Nu conectați protecția la ambele capete ale cablului.
 - Utilizarea unui cablu neecranat poate cauza emisia de frecvențe radio sau niveluri de susceptibilitate mai ridicat decât cele permise.
 - Rezistența maximă a buclei este de 500 Ohm.
5. Închideți capacul controllerului și strângeți șuruburile capacului.
6. Configurați ieșirile din controller.

Figura 8 Conexiuni ieșire analogă



Conexiuni de cabluri cu intrări discrete

▲ AVERTISMENT



Pericol potențial de electrocutare. Întrerupeți întotdeauna alimentarea instrumentului atunci când realizați conexiuni electrice.

▲ AVERTISMENT

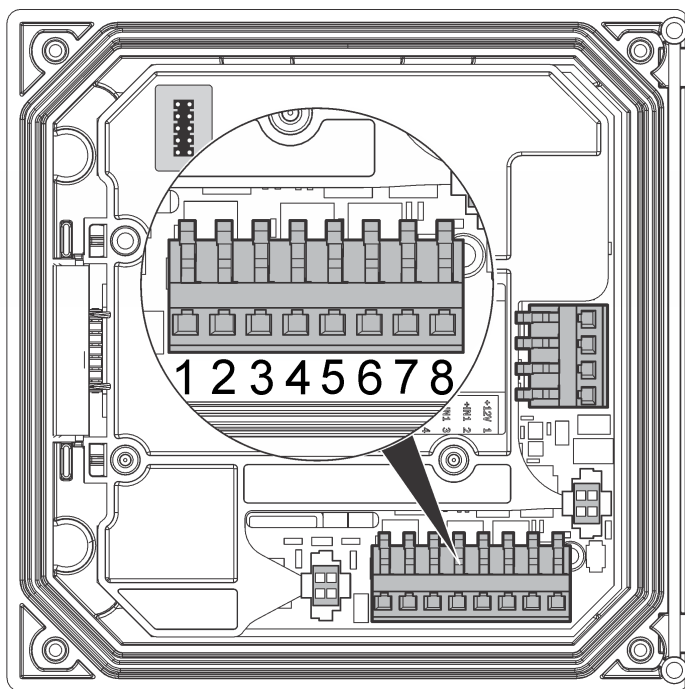


Pericol potențial de electrocutare. Pentru a menține evaluările de mediu NEMA/IP ale incintei, utilizați doar garniturile de conductă și garniturile de etanșare a cablurilor care sunt evaluate cel puțin pentru NEMA 4X/IP66 pentru a lega cablurile de instrument.

Sunt prevăzute trei intrări discrete pentru intrările de închidere ale comutatoarelor sau intrările de tensiune de nivel logic. Realizați conexiunile de cabluri și configurați setările conductorului pentru controller, așa cum se prezintă în [Figura 9](#), [Tabelul 4](#) și [Figura 10](#).

Notă: [Figura 9](#) arată spatele capacului controllerului și nu interiorul compartimentului principal al controllerului.

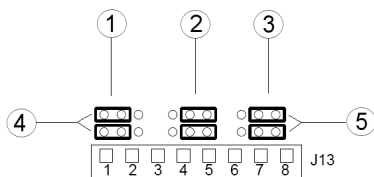
Figura 9 Conexiuni de cabluri cu intrări discrete



Tabelul 4 Conexiuni de intrare

Intrări discrete	Poziție conector - Intrare comutator	Poziție conector - Intrare tensiune
Intrare 1+	3	2
Intrare 1-	2	3
Intrare 2+	6	5
Intrare 2-	5	6
Intrare 3+	8	7
Intrare 3-	7	8

Figura 10 Setările conductoarelor



1 Conductoare pentru configurarea intrării 1	4 Conductoare poziționate în stânga pentru intrările comutatoarelor
2 Conductoare pentru configurarea intrării 2	5 Conductoare poziționate în stânga pentru intrările de tensiune
3 Conductoare pentru configurarea intrării 3	

1. Deschideți capacul controllerului.
2. Alimentați cablurile prin protecția cablurilor.
3. Ajustați cablul după necesități și strângeți protecția cablurilor.
4. Conductoarele sunt poziționate imediat în spatele conectorului. Îndepărtați conectorul pentru acces mai ușor la conductoare și configurați setările acestora în funcție de tipul intrării, după cum se arată în [Figura 10](#).
5. Închideți capacul controllerului și strângeți șuruburile capacului.
6. Configurați intrările în controller.

Notă: În modul de **intrare comutator** controllerul furnizează o tensiune de 12 volți comutatorului, iar acesta nu este izolat de controller. În modul de **intrare tensiune** intrările sunt izolate de controller (tensiune de intrare pentru utilizator între 0 și 30 de volți).

Conectarea unui senzor sc digital

Notă: Pentru a conecta un senzor analogic, consultați instrucțiunile furnizate în manualul modulului sau al senzorului.

Un senzor sc digital poate fi conectat la controler prin utilizarea garniturii fixate de conectare rapidă ([Figura 11](#)). Un senzor digital poate fi conectat cu controlerul pornit sau oprit.

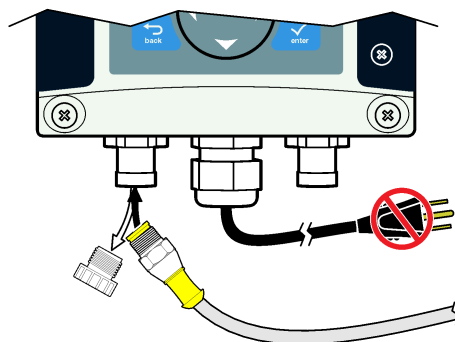
Când un senzor digital este conectat cu controlerul pornit, controlerul nu va efectua automat scanarea dispozitivului. Pentru ca controlerul să efectueze automat scanarea dispozitivului, navigați la meniul Testare/Întreținere și selectați Scanare dispozitive. Dacă este găsit un nou dispozitiv, controlerul efectuează procesul de instalare fără altă acțiune a utilizatorului.

Când un senzor digital este conectat cu controlerul oprit, controlerul va efectua scanarea dispozitivului când este pornit din nou. Dacă este găsit un nou dispozitiv, controlerul efectuează procesul de instalare fără altă acțiune a utilizatorului.

Păstrați capacul conectorului, pentru a putea etanșa orificiul acestuia în cazurile în care, ulterior, senzorul trebuie să fie demontat.

Figura 11 Conectarea rapidă a senzorului digital

1.



Conectarea ieșirii opționale de comunicare digitală

Producătorul acceptă protocoalele de comunicare Modbus RS485, Modbus RS232, Profibus DPV1 și HART. Modulul opțional de ieșire digitală este instalat la locația indicată de elementul 4 din [Figura 7](#) de la pagina 383. Pentru mai multe detalii, consultați instrucțiunile ce însoțesc modulul de rețea.

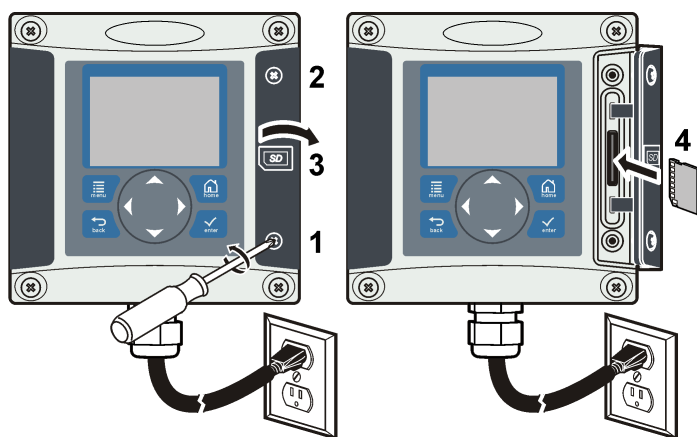
Pentru informații despre registrele Modbus, mergeți la <http://www.hach-lange.com> sau <http://www.hach.com> și căutați *registre Modbus* sau mergeți la orice pagină de produse sc200.

Instalați un card de memorie Secure Digital (SD)

Pentru instrucțiuni privind instalarea unui card SD în controler, consultați [Figura 12](#). Informații despre modul de utilizare a cardului de memorie SD puteți găsi în versiunea extinsă a acestui manual.

Pentru a îndepărta un card SD, împingeți în jos marginea cardului și eliberați, apoi trageți cardul în sus și afară din slot. După ce ați îndepărtat cardul, închideți capacul slotului și strângeți șuruburile capacului.

Figura 12 Instalarea cardului SD

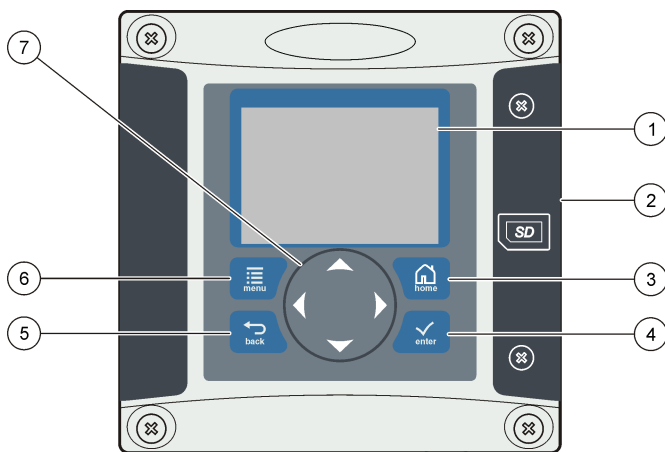


Interfața pentru utilizator și navigarea

Interfața cu utilizatorul

Tastatura are patru taste de meniu și patru taste direcționale, așa cum se prezintă în [Figura 13](#).

Figura 13 Prezentare generală a tastaturii și a panoului frontal



1 Afișajul instrumentului	5 Tasta ÎNAPOI . Efectuează deplasarea înapoi un nivel în structura meniului.
2 Capac pentru slotul de card de memorie Secure Digital.	6 Tasta MENIU . Efectuează deplasarea la meniul Setări din alte ecrane și submeniuri.
3 Tasta HOME . Deplasează ecranul principal de măsurare din alte ecrane și submeniuri.	7 Taste direcționale. Utilizate pentru a naviga prin meniuri, a modifica setări și a crește și descrește cifrele.
4 Tasta INTRODUCERE . Acceptă valori de intrare, actualizări sau opțiuni de meniu afișate.	

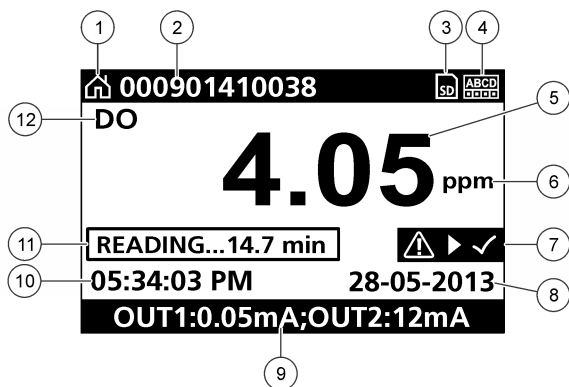
Intrările și ieșirile sunt setate și configurate prin panoul frontal utilizând tastatura și ecranul de afișare. Această interfață pentru utilizator este utilizată pentru a seta și configura intrările și ieșirile, a crea informații de jurnal și a calcula valori și a calibra senzorii. Interfața SD poate fi utilizată pentru salvarea jurnalelor și actualizarea de software.

Afișajul

Figura 14 prezintă un exemplu al ecranului principal de măsurare cu un senzor DO conectat la controler.

Ecranul de afișaj al panoului frontal arată datele de măsurare cu senzorul, setările de calibrare și configurare, erorile, avertismentele și alte informații.

Figura 14 Exemple de ecran principal de măsurare



1 Pictograma ecranului principal	7 Bară de stare avertismente
2 Nume senzor	8 Data
3 Pictograma cardului de memorie SD	9 Valori analogice la ieșire
4 Indicator stare releu	10 Ora
5 Valoare de măsurare	11 Bara de progres
6 Unitate de măsură	12 Parametru de măsurare

Tabelul 5 Descrierea pictogramelor

Pictograma	Descriere
Ecran principal	Pictograma poate varia în funcție de ecranul sau meniul afișat. De exemplu, dacă este instalat un card SD, o pictogramă de card SD apare când utilizatorul este în meniul Configurare card SD.
Card de memorie SD	Această pictogramă apare doar dacă un card SD se află în slotul de citire. Când un utilizator este în meniul SD Card Setup (Configurare card SD), această pictogramă apare în colțul stânga-sus.
Avertisment	O pictogramă de avertizare constă dintr-un punct de exclamare în interiorul unui triunghi. Pictogramele de avertizare apar în dreapta afișajului principal sub valoarea de măsurat. Apăsați tasta ENTER apoi selectați dispozitivul pentru a vedea problemele asociate cu acesta. Pictograma de avertizare nu va mai fi afișată după corectarea sau confirmarea tuturor problemelor.
Eroare	O pictogramă de eroare constă dintr-un punct de exclamare în interiorul unui cerc. Când apare o eroare, pictograma de eroare și ecranul de măsurare semnalizează în mod alternativ pe afișajul principal. Pentru a vedea erorile, apăsați tasta MENU (MENIU) și selectați Diagnostics (Diagnosticare) . Apoi selectați dispozitivul pentru a vedea problemele asociate cu acesta.

Formatele suplimentare de afișare

- Din ecranul Main Measurement (Măsurare principală) apăsați pe tastele săgeată **SUS** și **JOS** pentru a comuta între parametrii de măsurare
- Din ecranul Main Measurement (Măsurare principală) apăsați pe tasta săgeată **DREAPTA** pentru a împărți afișajul pentru până la 4 parametri de măsurare. Apăsați tasta săgeată **DREAPTA** pentru a include măsurători suplimentare. Apăsați tasta săgeată **STÂNGA** în funcție de caz pentru a reveni la ecranul Main Measurement (Măsurare principală)
- Din ecranul Main Measurement (Măsurare principală) apăsați pe tasta săgeată **STÂNGA** pentru a trece la afișajul grafic (consultați **Afișajul grafic** de la pagina 395 pentru a defini parametrii). Apăsați tastele săgeată **SUS** și **JOS** pentru a comuta între graficele de măsurare

Afișajul grafic

Graficul afișează măsurătorile pentru concentrație și temperatură, pentru fiecare canal utilizat. Graficul facilitează monitorizarea tendințelor și indică modificările survenite în cadrul procesului.

1. Din afișajul grafic utilizați tastele săgeată în sus și în jos pentru a selecta graficul și apăsați tasta **HOME**.
2. Selectați o opțiune:

Opțiune	Descriere
MEASUREMENT VALUE (VALOARE MĂSURĂTOARE)	Setează valoarea de măsurare pentru canalul selectat. Selectați între Scară automată și Scară manuală. Pentru scalarea manuală introduceți valorile de măsură minime și maxime
DATE & TIME RANGE (INTERVAL DATĂ ȘI ORĂ)	Selectați intervalul de date și ore dintre opțiunile disponibile

Pornirea sistemului

Când se alimentează inițial, ecranele Limbă, Format Dată și Dată/Oră apar în ordine. După setarea acestor opțiuni, controlerul efectuează o scanare a dispozitivului și afișează mesajul **Scanare disp. în curs. Așteptați...** Dacă este găsit un nou dispozitiv, controlerul efectuează procesul de instalare înainte să afișeze un ecran de măsurare principal.

Dacă scanarea găsește dispozitive instalate anterior fără modificări de configurare, ecranul principal de măsurare al dispozitivului din poziția numărul unu apare imediat după ce scanarea este finalizată.

Dacă un dispozitiv a fost eliminat de la controler sau nu este găsit în timpul scanării următoare la alimentare sau la acționarea din meniu, controlerul afișează un mesaj **Dispozitiv lipsă** și sugerează ștergerea dispozitivului lipsă.

Dacă nu este conectat niciun senzor la un modul analogic instalat, controlerul va indica o eroare. Dacă dispozitivele sunt conectate, dar nu sunt găsite de controler, consultați [Depanare](#) de la pagina 397.

Setarea limbii, a datei și a orei pentru prima oară

Controllerul afișează ecranele de editare pentru limbă, dată și oră când este alimentat pentru prima oară și când este alimentat după ce setările de configurare au fost setate la valorile prestabilite. După ce opțiunile de limbă, dată și oră sunt setate pentru prima oară, actualizați opțiunile, după caz, din meniul de configurare sc200.

1. În ecranul Limbă, selectați o limbă din lista de opțiuni și apăsați tasta **INTRODUCERE**. Engleza este limba prestabilă pentru controller. Limba selectată este salvată. Apare ecranul Format dată.
2. În ecranul Format dată, selectați un format și apăsați tasta **INTRODUCERE**. Data și ora formatului sunt salvate. Apoi, apare ecranul Data/Ora.
3. În ecranul Data/Ora, apăsați tastele săgeată **DREAPTA** sau **STÂNGA** pentru a selecta un câmp, apoi apăsați tastele săgeată **SUS** și **JOS** pentru a actualiza valoarea din câmp. Actualizați celelalte câmpuri, după caz.
4. Apăsați tasta **INTRODUCERE**. Modificările sunt salvate și controllerul efectuează o scanare inițială pentru dispozitive. Dacă sunt găsite dispozitivele conectate, controllerul afișează ecranul principal de măsurare pentru dispozitiv în poziția numărul unu. În cazul în care controllerul nu găsește dispozitivele conectate, consultați [Depanare](#) de la pagina 397.

Informații privind configurația controllerului

Informațiile generale privind opțiunile de configurare sunt listate în tabel.

1. Pentru a naviga la opțiunile de meniu, din meniul Setări, selectați Configurare sc200.

Opțiune	Descriere
Configurare securitate	Setează preferințele pentru parolă.
Configurare ieșire	Configurează ieșirile analogice ale controllerului
Configurare releu	Configurează releele controllerului
Display setup (Configurare afișaj)	Configurează afișajul controllerului
Setarea datei/orei	Setează data și ora controllerului
Configurare registru date	Configurează opțiunile de înregistrare a datelor. Disponibilă dacă a fost configurată funcția Calculation (Calcul).
Manage Data (Gestionare date)	Selectați dispozitivul din lista componentelor instalate pentru a vizualiza datele sau jurnalul de evenimente
Modul Menținere la eroare	Menținere ieșiri — Menține ieșirile la ultima valoare cunoscută când controllerul pierde comunicarea cu senzorul. Transfer ieșiri — Comută la modul transfer când controllerul pierde comunicarea cu senzorul. Transferă ieșirile la o valoare predefinită.
Calcul	Configurează funcția de calculare a controllerului
Informații sc200	S/W VER (Versiune software) :— Afișează versiunea curentă a software-ului controllerului Bootloader VER (Versiune bootloader) :— Afișează versiunea curentă a bootloaderului. Bootloaderul este un fișier care încarcă sistemul principal de operare pentru controller S/N :— Afișează numărul de serie al controllerului Version (Versiune) :—Afișează versiunea curentă a hardware-ul controllerului
Configurare intrare discretă	Configurează trei canale cu intrări discrete
Limbă	Atribuie limba utilizată în controller

2. Selectați o opțiune și apăsați **INTRODUCERE** pentru a activa elementul de meniu.

Întreținerea

⚠ ATENȚIE



Pericole multiple. Numai personalul calificat trebuie să efectueze activitățile descrise în această secțiune a documentului.

Curățarea controllerului

▲ PERICOL



Înterupeți întotdeauna alimentarea controllerului înainte de a efectua activități de întreținere.

Notă: Nu utilizați niciodată solvenți inflamabili sau corozivi pentru a curăța orice parte a controllerului. Utilizarea acestor solvenți poate deteriora capacitatea unității de protecție a mediului și poate anula garanția.

1. Asigurați-vă că este închis ferm capacul controllerului.
2. Ștergeți exteriorul controllerului cu o lavetă îmbibată în apă sau cu un amestec de apă și detergent slab.

Depanare

Problemă	Rezoluție
Nicio ieșire efectivă	Nicio configurare de ieșire efectivă
	Testați semnalul efectiv de ieșire utilizând submeniul Testare/Întreținere. Introduceți o valoare efectivă și verificați semnalul de ieșire la conexiunile controllerului.
	Contactați asistența tehnică.
Ieșire efectivă incorectă	Nicio configurare de ieșire efectivă
	Testați semnalul efectiv de ieșire utilizând submeniul Testare/Întreținere. Introduceți o valoare efectivă și verificați semnalul de ieșire la conexiunile controllerului. Dacă ieșirea este incorectă, efectuați o calibrare a ieșirii.
Nicio activare a releului	Asigurați-vă că conexiunile releului sunt securizate.
	Dacă utilizați o sursă de alimentare externă, asigurați-vă de corectitudinea cablului releului.
	Asigurați-vă de corectitudinea configurației releului.
	Testați activarea releului prin intermediul meniului Testare/Întreținere. Releul este pus și scos de sub tensiune conform selectării.
	Asigurați-vă că controllerul nu este în modul de calibrare și că releul nu este ținut.
	Resetați Cronometrul de supraalimentare pentru a vă asigura că cronometrul nu a expirat.
Cardul de memorie Secure Digital (SD) nu este recunoscut de controler	Asigurați-vă de orientare corectă a cardului SD. Bornele din cupru sunt îndreptate către afișajul controllerului.
	Asigurați-vă că cardul SD este așezat complet în slot și că broasca cu închidere automată este activată.
	Asigurați-vă că cardul SD este formatat corespunzător cu un format FAT 32. Formatul MMC nu este acceptat. Urmați instrucțiunile producătorului de carduri pentru a formata cardul SD pe un PC.
	Asigurați-vă că cardul nu este mai mare de 32 GB.
	Asigurați-vă că se utilizează un card SD. Alte tipuri de carduri (cum ar fi xSD, micro SD, mini SD) nu vor funcționa corespunzător.

Problemă	Rezoluție
Informațiile nu se salvează sau nu se salvează corespunzător pe cardul SD.	Asigurați-vă că cardul SD este formatat corespunzător cu formatul FAT 32. Formatul MMC nu este acceptat. Urmați instrucțiunile producătorului de carduri pentru a formata cardul SD pe un PC.
	Dacă cardul SD a fost utilizat anterior, formatați cardul cu formatul FAT 32, instalați cardul în controler și încercați fișierele de descărcare.
	Încercați un card SD diferit.
Card SD plin	Citiți cardul SD cu un PC sau cu un alt dispozitiv cititor de carduri. Salvați fișierele importante și ștergeți parțial sau integral fișierele de pe cardul SD.
Controlerul nu poate găsi actualizări software pe cardul SD.	Asigurați-vă că se creează un folder adecvat instalând cardul SD în controler. Se va crea automat un dosar actualizat.
	Instalați cardul SD pe un PC și asigurați-vă că fișierele de software sunt localizate în dosarul actualizat corespunzător.
	Dacă același card SD se utilizează cu controlere multiple, fiecare controler va avea un dosar separat pe sistem. Asigurați-vă că actualizările software sunt în dosarul dedicat controlerului utilizat.
Afișajul este aprins dar nu arată niciun fel de caractere, sau acestea sunt slabe și neclare.	Ajustați contrastul afișajului
	Asigurați-vă că pelicula de protecție a fost îndepărtată de pe afișaj.
	Curățați exteriorul controlerului, inclusiv ecranul de afișaj.
Controlerul nu va fi pus sub tensiune sau va fi pus cu intermitență	Asigurați-vă că conexiunile de alimentare c.a. se termină corespunzător în controler.
	Asigurați-vă că banda de alimentare, alimentarea electrică, priza de perete sunt toate corespunzător conectate.
	Contactați asistența tehnică
Rețeaua sau modulul senzor nu sunt recunoscute	Asigurați-vă că modulul este instalat corespunzător.
	Asigurați-vă că comutatorul de selectare a modulelor este setat la numărul corespunzător.
	Îndepărtați modulul senzor și instalați modulul în al doilea slot analogic. Alimentați controlerul și permiteți-i să efectueze o scanare a dispozitivului.
	Contactați asistența tehnică.

Problemă	Rezoluție
<p>Senzorul nu este recunoscut</p> <p><i>Notă: Exemplu de posibil mesaj afișat: ****</i></p>	<p>Dacă senzorul este un senzor analogic și un modul corespunzător este instalat în controler, consultați instrucțiunile furnizate împreună cu modulul de rețea sau senzor.</p>
	<p>Asigurați-vă că mănunchiul de cabluri de conectare digitală este așezat pe interiorul ansamblului ușii și că ansamblul de cabluri nu este deteriorat.</p>
	<p>Dacă senzorul digital este conectat la controler printr-o casetă finală digitală, o doză de derivație furnizată de utilizator, cabluri de extensie digitale sau un cablu de extensie furnizat de utilizator, conectați senzorul direct la controler și efectuați o scanare a dispozitivului. Dacă controlerul recunoaște senzorul, verificați ca toate cablurile din dozele de derivație sau cablurile de extensie să fie corecte.</p>
	<p>Asigurați-vă că doar doi senzori sunt instalați în controler. Deși sunt disponibile două porturi de module analogice, dacă se instalează un senzor digital și două module analogice, doar două din cele trei dispozitive vor fi văzute de controler.</p>
	<p>Contactați asistența tehnică</p>
<p>Apare mesajul de eroare Dispozitiv lipsă</p>	<p>Efectuați o Scanare dispozitiv din meniul Testare/Întreținere.</p>
	<p>Activați ciclul controlerului.</p>

Turinys

Techniniai duomenys Puslapyje 400

Sistemos paleistis Puslapyje 422

Bendrojo pobūdžio informacija Puslapyje 401

Techninė priežiūra Puslapyje 423

Montavimas Puslapyje 404

Trikčių šalinimas Puslapyje 424

Naudotojo sąsają ir naršymas Puslapyje 419

Papildoma informacija

Papildoma informacija teikiama gamintojo tinklalapyje.

Techniniai duomenys

Techniniai duomenys gali būti keičiami neperspėjus.

Specifikacija	Išsami informacija
Komponento aprašymas	Mikroprocesoriumi ir meniu valdomas valdiklis, naudojantis jutiklį ir parodantis gautas matavimo reikšmes.
Darbinė temperatūra	Nuo -20 iki 60 °C (nuo -4 iki 140 °F); 95 % santykinis drėgnumas, nesikondensuojantis, kai jutiklio krūvis yra <7 W; nuo -20 iki 50 °C (nuo -4 iki 104 °F), kai jutiklio krūvis yra <28 W
Laikymo temperatūra	Nuo -20 iki 70 °C (nuo -4 iki 158 °F); 95 % santykinė drėgmė, be kondensacijos
Gaubtas ¹	NEMA 4X/IP66 metalinis gaubtas su korozijai atsparia danga
Maitinimo reikalavimai	Kintamąja srove maitinamas valdiklis: 100–240 V kintamoji srovė ±10 %, 50 / 60 Hz; 50 VA, kai jutiklio / tinklo modulio krūvis yra 7 W; 100 VA, kai jutiklio / tinklo modulio krūvis yra 28 W (tinklo ryšys – pasirinktinai „Modbus“, RS232 / RS485, „Profibus DPV1“ arba HART). 24 V nuolatine srove maitinamas valdiklis: 24 V nuolatinė srovė —15 %, +20 %; 15 W, kai jutiklio / tinklo modulio krūvis yra 7 W; 40 W, kai jutiklio / tinklo modulio krūvis yra 28 W (tinklo ryšys – pasirinktinai „Modbus“, RS232 / RS485, „Profibus DPV1“ arba HART).
Aukščio reikalavimai	Įprastai 2 000 m (6 562 ft) virš jūros lygio
Taršos lygis / montavimo kategorija	2 taršos lygis; II montavimo kategorija
Išvestys	Dvi analoginės (0–20 mA arba 4–20 mA) išvestys. Kiekvieną analoginę išvestį galima paskirti išreikšti išmatuotą parametą, pvz., pH, temperatūrą, srautą ar apskaičiuotas reikšmes. Pasirinktinis modulis teikia tris papildomas analogines išvestis (iš viso – 5).
Relės	Keturi SPDT, naudotojo konfigūruojami kontaktai, galintys atlaikyti 250 V kintamąją srovę, 5 A maksimalią varžą kintamąja srove maitinamuose valdikliuose, ir 24 V nuolatinę srovę, 5 A maksimalią varžą nuolatine srove maitinamuose valdikliuose. Relės jungiamos prie kintamosios srovės grandinių (t. y. kai valdiklis yra naudojamas su 115–240 VAC) arba nuolatinės srovės grandinių (t. y. kai valdiklis yra naudojamas su 24 VDC).
Matmenys	½ DIN–144 x 144 x 180,9 mm (5,7 x 5,7 x 7,12 in)
Svoris	1,7 kg (3,75 lb)
Atitikties informacija ²	Patvirtintas CE (su visais jutiklių tipais). Nurodoma naudoti bendrosiose vietose laikantis UL ir CSA saugos standartų, kuriuos nustatė ETL (su visais jutiklių tipais). Tam tikri AC maitinami modeliai nurodomi naudoti bendrosiose vietose, laikantis UL ir CSA saugos standartų, kuriuos nustatė „Underwriters Laboratories“ (su visais jutiklių tipais).

Specifikacija	Išsami informacija
Skaitmeninis ryšys	Tinklo ryšys duomenims perduoti – pasirinktinai „Modbus“, RS232 / RS485, „Profibus DPV1“ arba HART
Duomenų registravimas	„Secure Digital“ kortelė (daugiausiai 32 GB) arba speciali RS232 kabelio jungtis, skirta duomenims registruoti ir programinei įrangai naujinti. Valdiklis išsaugo apie 20 000 duomenų taškų iš kiekvieno jutiklio.
Garantija	2 metų

¹ „Underwriters Laboratories“ (UL) sertifikuoti vienetai skirti naudoti tik patalpose ir nėra įvertinti pagal NEMA 4X/IP66.

² DC veikiami vienetai nėra išvardyti UL.

Bendrojo pobūdžio informacija

Gamintojas jokių būdu nėra atsakingas už tiesioginę, netiesioginę, specialią, atsitiktinę arba didelę žalą, kuri būtų padaryta dėl šio vadovo bet kokio defekto ar praleidimo. Gamintojas pasilieka teisę bet kada iš dalies pakeisti šį vadovą ir jame aprašytus produktus nepranešdamas apie keitimą ir neprisiimdamas išpareigojimų. Pataisytuosius leidimus rasite gamintojo žiniatinklio svetainėje.

Saugos duomenys

PASTABA

Gamintojas nėra atsakingas už jokių nuostolių dėl netinkamo šio gaminio taikymo ar naudojimo, įskaitant tiesioginius, atsitiktinius ir šalutinius nuostolius, bet tuo neapsiribojant, ir nepripažįsta jokios atsakomybės už tokius nuostolius, kiek tai leidžia galiojantys įstatymai. Tik naudotojas yra atsakingas už taikymo lemiamo pavojaus nustatymą ir tinkamų mechanizmų procesams apsaugoti per galimą įrangos triktį įrengimą.

Perskaitykite visą šį dokumentą prieš išpakuodami, surinkdami ir pradėdami naudoti šį įrenginį. Atkreipkite dėmesį į visus įspėjimus apie pavojų ir atsargumo priemones. Priešingu atveju įrenginio naudotojas gali smarkiai susižeisti arba sugadinti įrenginį.

Išitikinkite, kad šio įrenginio apsauga nepažeista. Nenaudokite ir nemontuokite šio įrenginio kitokiu būdu, nei nurodyta šiame vadove.

Informacijos apie pavojų naudojimas

▲ PAVOJUS

Žymi galimą arba neišvengiamą pavojingą situaciją, į kurią pakliuvus galima mirtinai ar stipriai susižeisti.

▲ ĮSPĖJIMAS

Žymi galimą arba neišvengiamą pavojingą situaciją, kurios nevengiant gali grėsti mirtis ar stiprus sužeidimas.

▲ ATSARGIAI





Žymi galimą pavojingą situaciją, dėl kurios galima lengvai ar vidutiniškai susižeisti.

PASTABA

Žymi situaciją, kurios neišvengus gali būti sugadintas prietaisas. Informacija, kuriai reikia skirti ypatingą dėmesį.

Apie pavojų perspėjančios etiketės

Perskaitykite visas prie prietaiso pritvirtintas etiketes ir žymas. Nesilaikant nurodytų įspėjimų galima, susižaloti arba sugadinti prietaisą. Simbolis, kuriuo pažymėtas prietaisas, instrukcijose yra nurodytas su įspėjamoju pareiškimu.

	Šis simbolis, jeigu juo pažymėtas įtaisas, reiškia, kad turite skaityti naudojimo vadovą ir (arba) saugos informaciją.
	Šis simbolis reiškia elektros smūgio arba mirties nuo elektros smūgio pavojų.
	Šis simbolis reiškia, kad prietaisas yra jautrus elektrostatinei iškrovai (ESD), todėl būtina imtis atsargumo priemonių siekiant išvengti įrangos apgadinimo.
	Šiuo simboliu pažymėto elektros įrenginio negalima išmesti viešosiose atliekų išmetimo vietose Europoje nuo 2005 m. rugpjūčio 12 d. Pagal Europos vietinius ir nacionalinius teisės aktus (ES direktyva 2002/96/EB) Europos elektros įrenginių naudotojai privalo gražinti pasenusius ar neveikiančius įrenginius gamintojui, kad jie būtų nemokamai sunaikinti.

Sertifikavimas

Kanados taisyklės dėl radijo trukdžius keliančios įrangos, IECS-003, A klasė:

Tai patvirtinančių patikrinimų dokumentų teirautis gamintojo.

A klasės skaitmeninių įtaisų atitinka visus Kanados taisyklių dėl radijo trukdžius keliančios įrangos reikalavimus.

Cet appareil numérique de classe A répond à toutes les exigences de la réglementation canadienne sur les équipements provoquant des interférences.

FCC 15 dalis, A klasės apribojimai

Tai patvirtinančių patikrinimų dokumentų teirautis gamintojo. Šis prietaisas atitinka FCC taisyklių 15 dalies reikalavimus. Naudojimui taikomos šios sąlygos:

1. Įranga negali kelti kenksmingų trukdžių.
2. Ši įranga turi priimti visus gaunamus trukdžius, įskaitant tuos, dėl kurių prietaisas veiks netinkamai.

Šios įrangos pakeitimai arba modifikacijos, kurios nėra tiesiogiai patvirtintos už atitiktą atsakingos šalies, gali panaikinti naudotojo teisę naudotis šia įranga. Ši įranga yra patikrinta ir nustatyta, kad ji atitinka A klasės skaitmeninių prietaisų apribojimuose keliamus reikalavimus pagal FCC taisyklių 15 dalį. Šie apribojimai taikomi siekiant suteikti tinkamą apsaugą nuo žalingųjų trukdžių poveikio, kai įranga yra naudojama komercinėse patalpose. Ši įranga sukuria, naudoja ir sklaidžia radijo bangų energiją ir, jei naudojama nesilaikant naudotojo instrukcijoje pateiktų nurodymų, gali kelti radijo ryšio žalinguosius trukdžius. Šią įrangą naudojant gyvenamosiose patalpose gali būti keliami žalingieji trukdžiai ir tokiu atveju naudotojas juos turės pašalinti savo lėšomis. Norėdami sumažinti trukdžius, galite pasinaudoti šiais būdais:

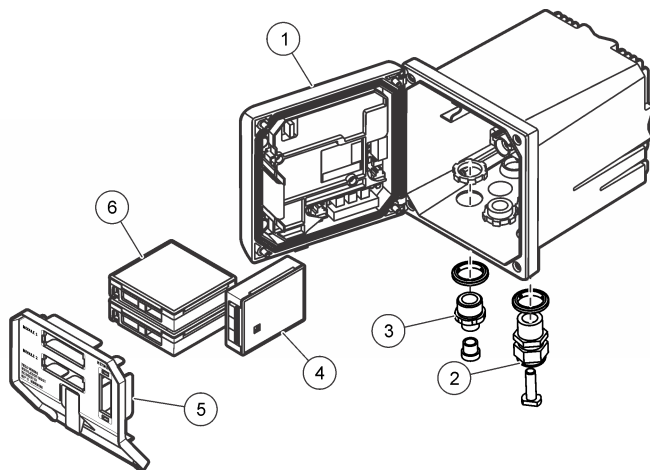
1. Atjunkite įrangą nuo maitinimo šaltinio ir patikrinkite, ar jis yra trukdžių šaltinis.
2. Jei įrangą prijungta prie to paties maitinimo lizdo kaip ir trukdžius patiriantis prietaisas, prijunkite įrangą prie kito maitinimo lizdo.
3. Perkelkite įrangą toliau nuo trukdžius patiriančio prietaiso.
4. Trukdžius patiriančio prietaiso anteną pastatykite kitoje vietoje.
5. Pabandykite derinti anksčiau pateiktus būdus.

Gaminio apžvalga

Valdiklis parodo jutiklio matavimus ir kitus duomenis, gali perduoti analoginius ir skaitmeninius signalus bei sąveikauti ir valdyti kitus prietaisus per išvestis ir reles. Išvestys, relės, jutikliai ir jutiklių moduliai sukonfigūruojami ir kalibruojami naudojant naudotojo sąsają, esančią valdiklio priekyje.

Paveikslėlis 1 parodyti produkto komponentai. Komponentai gali skirtis atsižvelgiant į valdiklio konfigūraciją. Jei kurios nors dalys yra pažeistos arba jų trūksta, susisiekite su gamintoju.

Paveikslėlis 1 Sistemos komponentai



1 Valdiklis	4 Tinklo modulis (pasirinktinis)
2 Fiksatoriaus mechanizmas (pasirinktinis atsižvelgiant į valdiklio versiją)	5 Aukštos įtampos apsauga
3 Skaitmeninė jungtis (pasirinktinė, atsižvelgiant į valdiklio versiją)	6 Jutiklio moduliai (pasirinktiniai)

Jutikliai ir jutiklių moduliai

Valdiklis priima daugiausiai du jutiklius arba du skaitmeninius jutiklius (priklauso nuo valdiklio konfigūracijos) ir vieną ryšio modulį. Vienu metu galima įstatyti vieną skaitmeninį jutiklį ir vieną jutiklio modulį. Prie jutiklio modulių laidais galima prijungti įvairių jutiklių. Kaip laidais prijungti jutiklį, nurodoma konkrečius jutiklio naudotojo instrukcijoje ir konkrečių modulių naudotojo instrukcijose.

Relės išvestys ir signalai

Valdiklyje yra keturi konfigūruojami reliniai jungikliai ir dvi analoginės išvestys. Papildomu analoginės išvesties moduliu analoginių išvesčių skaičių galima padidinti iki penkių.

Prietaisų paieška

Įjungtas valdiklis visada automatiškai ieško prijungtų prietaisų nelaukdamas naudotojo įvesties, išskyrus du atvejus. Pirmasis atvejis: kai valdiklis įjungiamas prieš jį naudojant pirmą kartą. Antrasis atvejis: atkūrus numatytasias konfigūracijos nustatymų reikšmes ir įjungus valdiklį. Abiem atvejais valdiklis parodo kalbos, datos ir laiko nustatymo ekranus. Priėmus kalbos, datos ir laiko įrašus, valdiklis atlieka prietaisų paiešką. Instrukcijas, kaip ieškoti prietaisų, kai valdiklio maitinimas jau įjungtas, žr. [Prijunkite skaitmeninį „sc“ jutiklį](#) Puslapyje 418.

Valdiklio gaubtas

Valdiklio gaubtas yra įvertintas NEMA 4X/IP66, jo dangą yra atspari korozijai, todėl apsaugo nuo koroziją keliančių aplinkos dalelių, pavyzdžiui, druskų ir vandenilio sulfido. Jei valdiklis naudojamas lauke, būtina naudoti apsaugą nuo aplinkos poveikio.

Pastaba: „Underwriters Laboratories“ (UL) sertifikuoti vienetai skirti naudoti tik patalpose ir nėra įvertinti pagal NEMA 4X/IP66.

Valdiklio montavimo galimybės

Valdiklį galima montuoti prie plokštės, sienos arba prie vertikalaus ar horizontalaus vamzdžio. Neopreno izoliuojamasis tarpiklis yra teikiamas su produktu ir gali būti naudojamas vibracijai sumažinti. Tarpiklis gali būti naudojamas kaip šablonas, kai valdiklis, prieš atskiriant tarpiklio komponentą, montuojamas prie plokštės.

Montavimas

Montavimo komponentai ir matmenys

⚠ ATSAUGIAI

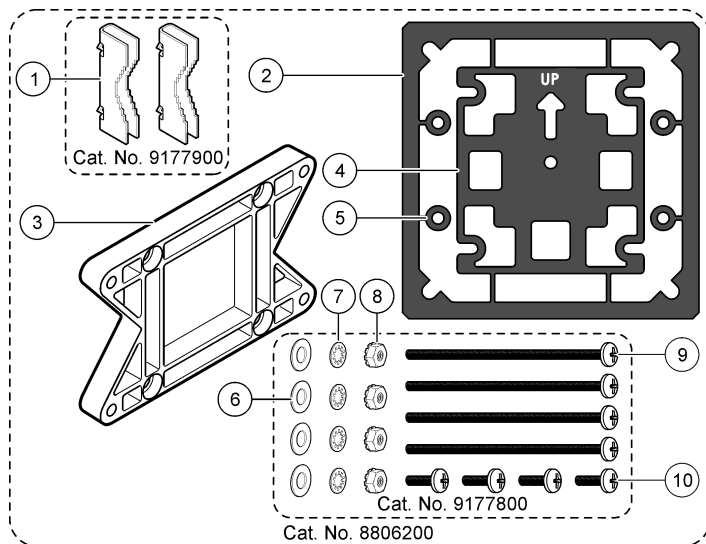
Pavojus susižeisti. Šiame instrukcijos skyriuje aprašytus veiksmus gali atlikti tik kvalifikuoti asmenys.

Valdiklis gali būti montuojamas ant paviršiaus, prie plokštės arba vamzdžio (horizontalaus arba vertikalaus). Norėdami sužinoti apie montavimo galimybes ir peržiūrėti instrukcijas, žr. [Paveikslėlis 2](#), [Paveikslėlis 3](#) Puslapyje 406, [Paveikslėlis 4](#) Puslapyje 407, [Paveikslėlis 5](#) Puslapyje 408 ir [Paveikslėlis 6](#) Puslapyje 409.

Norint valdiklį montuoti prie horizontalaus vamzdžio, prie montuojamojo kronšteino reikia vertikaliai pritvirtinti montuojamąsias kojeles ([Paveikslėlis 2](#)).

Montuodami valdiklį tiek prie horizontalaus, tiek prie vertikalaus vamzdžio, prie valdiklio turite pritvirtinti montuojamąjį kronšteiną, kaip parodyta [Paveikslėlis 5](#) Puslapyje 408.

Paveikslėlis 2 Montavimo komponentai

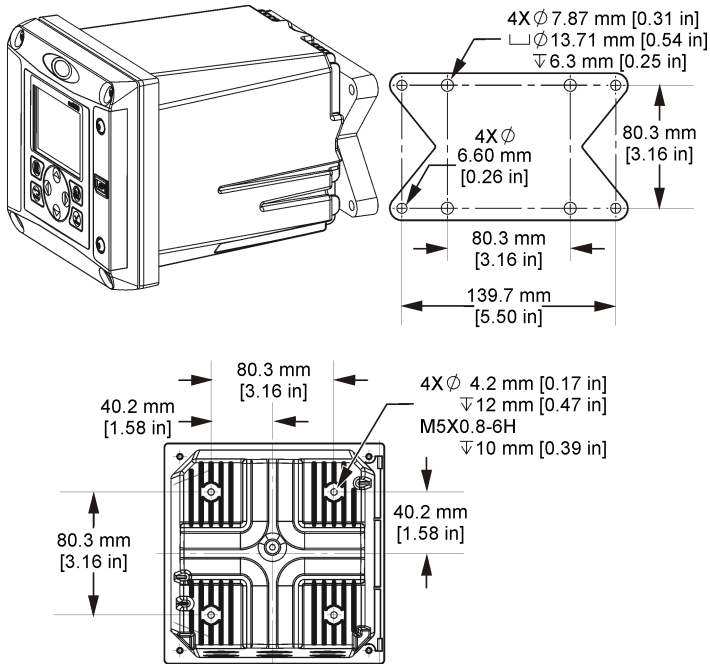


1 Montuojamoji kojėlė (2 vnt.)	6 Plokščia poveržlė, ¼ colio ID (4 vnt.)
2 Izoliuojamasis tarpiklis, skirtas montuoti prie plokštės, neoprenas	7 Fiksuojamoji poveržlė, ¼ colio ID (4 vnt.)
3 Kronšteinas, skirtas montuoti prie sienos arba vamzdžio	8 M5 x 0,8 šešiakampė veržlė su fiksuojamaisiais liežuveliais (4 vnt.)
4 Vibracijos izoliuojamasis tarpiklis, skirtas montuoti prie vamzdžio	9 Varžtai plokščia galvute, M5 x 0,8 x 100 mm (4 vnt.) (naudojami montuojant prie įvairaus dydžio vamzdžių)
5 Vibracijos izoliuojamoji poveržlė, skirta montuoti prie vamzdžio (4 vnt.)	10 Varžtai plokščia galvute, M5 x 0,8 x 15 mm (4 vnt.)

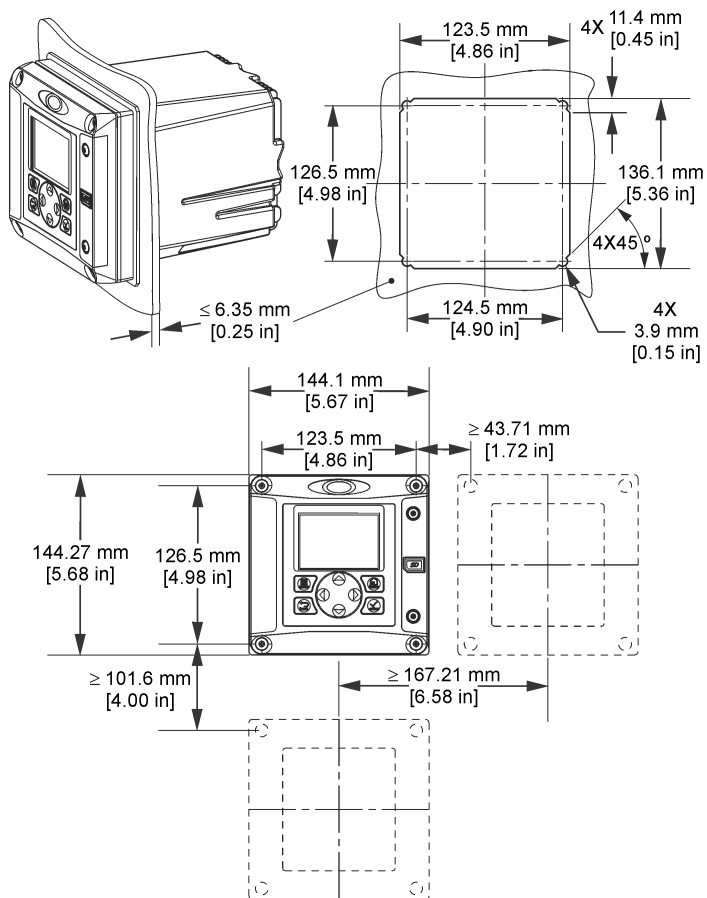
Pastaba: Laikiklis montavimui plokštėje parduodamas kaip papildomas priedas.

Valdiklio montavimas

Paveikslėlis 3 Montavimo ant paviršiaus matmenys

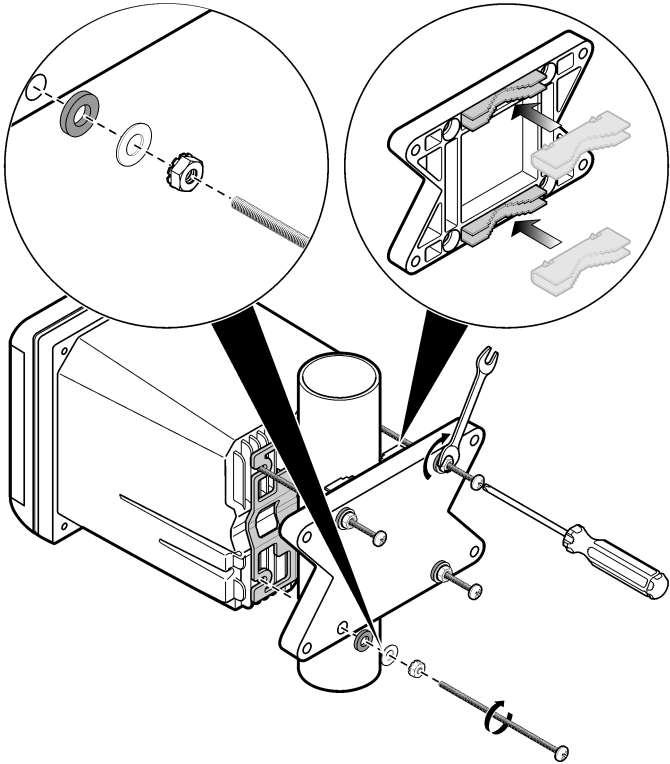


Paveikslėlis 4 Montavimo prie plokštės matmenys

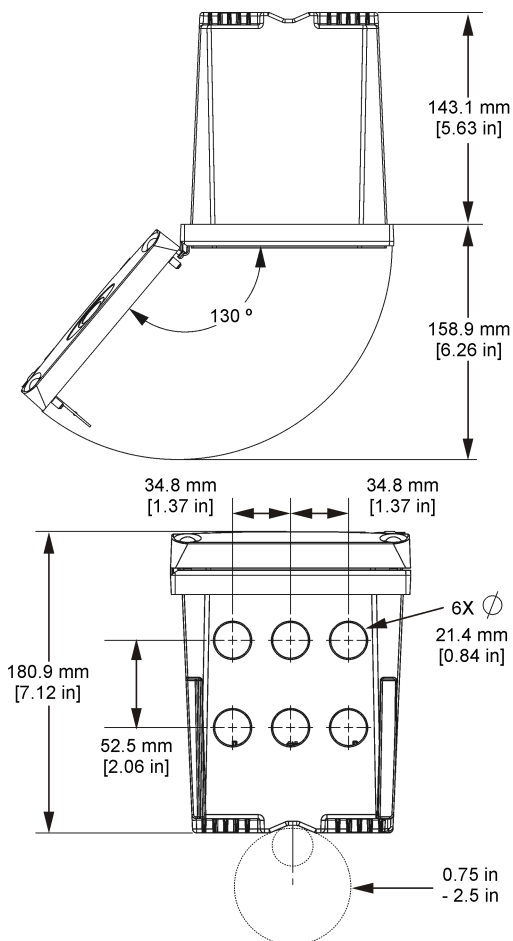


Pastaba: Jei montuojant plokštėje naudojamas laikiklis (pasirenkamas), įstumkite valdiklį per angą į plokštę ir užstumkite laikiklį ant valdiklio galinėje plokštės pusėje. Naudodami keturis 15 mm plokščiagalvius varžtus (pridedami), pritvirtinkite laikiklį prie valdiklio ir pritvirtinkite valdiklį prie plokštės.

Paveikslėlis 5 Montavimas prie vamzdžio (vertikalaus)



Paveikslėlis 6 Vaizdas iš viršaus ir apačios



Aukštos įtampos apsauga

Aukštos įtampos valdiklio laidai yra už aukštos įtampos apsaugos, esančios ant valdiklio gaubto. Apsauga turi likti įstatyta, išskyrus tada, kai įstatomi moduliai arba kai kvalifikuotas montavimo technikas jungia maitinimo, išspėjamųjų signalų, išvesčių arba relių laidus. Nenuimkite apsaugos, kai prie valdiklio yra prijungtas maitinimas.

Informacija apie elektrosstatinį krūvį (ESK)

PASTABA



Galima žala prietaisui. Jautrius vidinius elektroninius komponentus gali pažeisti statinis elektros krūvis, dėl to prietaisas gali veikti ne taip efektyviai ir galiausiai sugesti.

Norėdami išvengti ESK sukeltos žalos prietaisui, žr. šios procedūros veiksmus.

- Palieskite įžemintą metalinį paviršių, pvz., prietaiso korpusą, metalinį izoliacinį ar įprastą vamzdį – taip iškrausite statinę elektrą iš kūno.

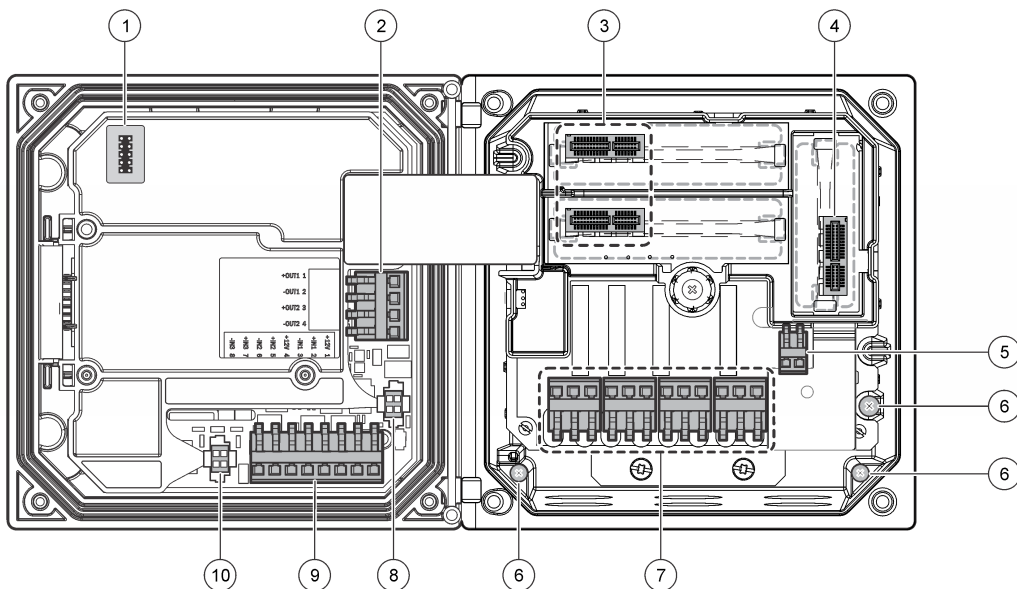
- Venkite intensyvaus judėjimo. Statiniam krūviui jautrius komponentus gabenkite antistatinuose konteineriuose ar pakuotėse.
- Dėvėkite riešo juosteles, laidų sujungtą su žeminimu.
- Dirbkite nuo statinio krūvio apsaugotame plote su antistatiniais grindų ir darbastalių kilimėliais.

Laidų instaliacijos apžvalga

Paveikslėlis 7 parodytos instaliacijos jungtys valdiklio viduje, kai išimta aukštos įtampos apsauga. Kairėje paveikslėlio pusėje parodyta valdiklio gaubto galinė dalis.

Pastaba: Prieš įstatydami modulį nuimkite jungčių dangtelius.

Paveikslėlis 7 Laidų sujungimo apžvalga



1 Darbinio kabelio jungtis	5 Kintamosios ir nuolatinės srovės jungtis ¹	9 Diskrečiosios įvesties laidų jungtis ¹
2 4–20 mA išvestis ¹	6 Žeminimo gnybtai	10 Skaitmeninio jutiklio jungtis ¹
3 Jutiklio modulio jungtis	7 Relės jungtis ¹	
4 Ryšio modulio jungtis (pvz., „Modbus“, „Profibus“, HART, pasirinktinis 4–20 mA modulis ir kt.)	8 Skaitmeninio jutiklio jungtis ¹	

¹ Geresnei prieigai užtikrinti gnybtus galima nuimti.

Maitinimo laidų prijungimas

⚠ ĮSPĖJIMAS



Galima patirti mirtiną elektros smūgį. Kai ką nors jungiate prie elektros srovės, visada atjunkite prietaiso maitinimą.

⚠ ĮSPĖJIMAS



Galima patirti mirtiną elektros smūgį. Jei šis prietaisas yra naudojamas lauke arba drėgnoje vietoje, jungiant jį prie maitinimo šaltinio būtina naudoti **nuotėkio relę**.

⚠ PAVOJUS



Mirtino elektros smūgio pavojus. Kintamosios srovės nejunkite prie 24 V nuolatinė srove maitinamo valdiklio modelio.

⚠ ĮSPĖJIMAS



Galima patirti mirtiną elektros smūgį. Apsauginė įžeminta (PE) jungtis turi būti naudojama tiek su 100–240 VAC, tiek su 24 VDC laidinėmis jungtimis. Tinkamai neįžeminus jungčių gali kilti elektros smūgio pavojus, be to, valdiklis gali veikti ne taip efektyviai dėl elektromagnetinių trukdžių. Valdiklio gnybtas VISADA turi būti gerai įžemintas.

PASTABA

Pastatykite prietaisą taip, kad jį būtų lengva atjungti ir naudoti.

Galite įsigyti 100–240 V kintamąją srove maitinamą arba 24 V nuolatinė srove maitinamą valdiklio modelį. Vadovaukitės atitinkamomis įsigyto modelio laidų instaliacijos instrukcijomis.

Valdiklis prie maitinimo linijos gali būti prijungiamas laidu, vedamu per vamzdelį arba prie maitinimo laido. Kad ir koks laidas yra naudojamas, jungtys jungiamos prie tų pačių gnybtų. Laikantis vietos elektros įrangos taisyklių visų tipų įrenginiai turi turėti vietinį išjungimo jungiklį. Kai jungiama laidais, prietaiso maitinimo ir apsauginiai įžeminimo laidai turi būti 18–12 AWG.

Pastabos.

- Įtampos apsaugą prieš atliekant bet kokius jungimo darbus reikia išimti. Prijungę ir prieš uždarydami valdiklio gaubtą vėl įstatykite įtampos apsaugą.
- Siekiant išlaikyti NEMA 4X/IP66 aplinkos vertinimą gali būti naudojamas izoliuojamasis fiksatorius ir 3 metrų (10 ft) ilgio maitinimo laidas su trimis 18 AWG vamzdeliais (įskaitant apsauginį įžeminimo laidą).
- Valdiklius galite užsisakyti su iš anksto prijungtais laidais kintamajai srovei. Galite užsisakyti ir papildomų maitinimo laidų.
- Nuolatinės srovės šaltinis, tiekiantis 24 V nuolatinė srove maitinamam valdikliui, turi išlaikyti įtampą nurodytose 24 VDC-15 % +20 % įtampos ribose. Be to, nuolatinės srovės šaltinis turi suteikti tinkamą apsaugą nuo įtampos ir linijos svyravimų.

Laidų prijungimas

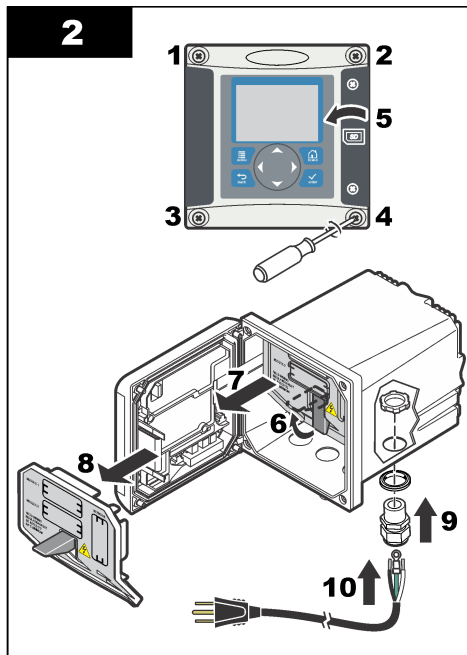
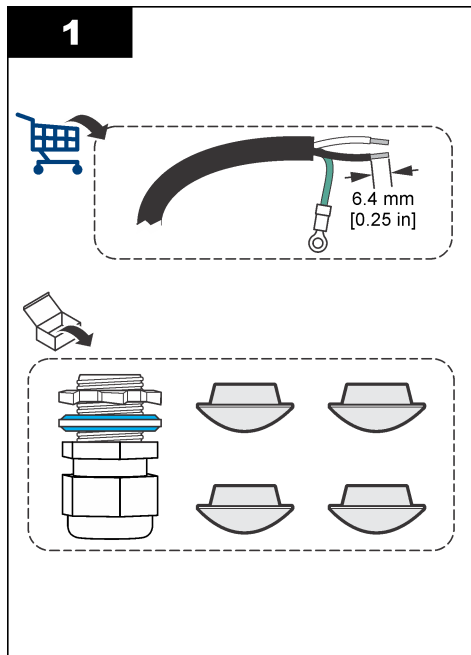
Kaip prie valdiklio prijungti maitinimo laidus, žr. toliau nurodytus iliustruotus veiksmus ir **Lentelė 1** arba **Lentelė 2**. Kiekvieną laidą įstatykite į reikiamą gnybtą taip, kad izoliacija prisispautų prie jungties, o laidas nebūtų plikas. Įstatę švelniai truktelėkite – įsitikinkite, kad laidai patikimai susijungė. Izoliuokite visas nenaudojamas valdiklio dėžutės angas naudodami izoliuojamuosius vamzdelių angų kištukus.

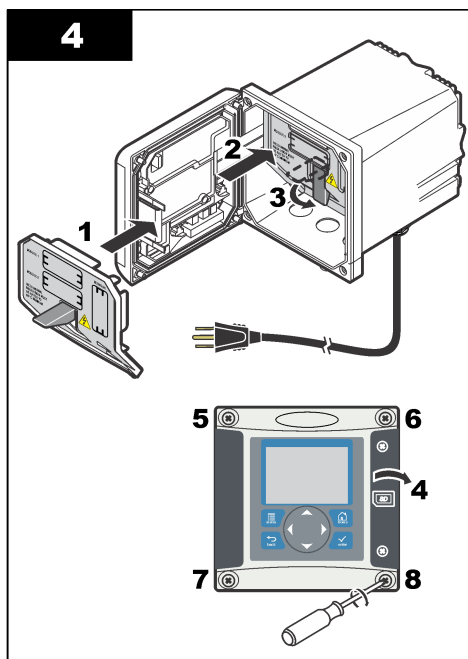
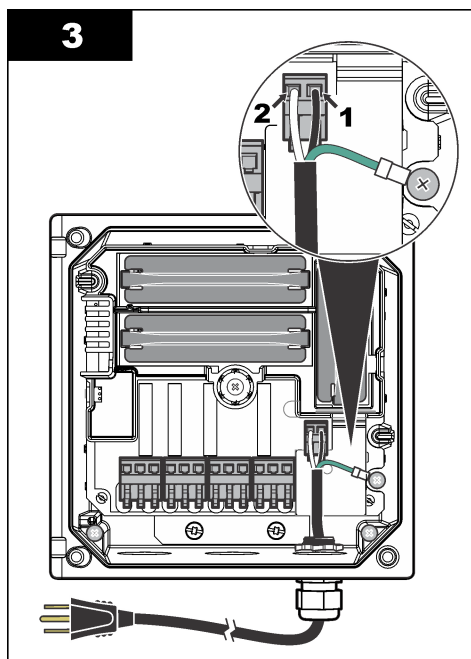
Lentelė 1 Kintamosios srovės laidų instaliacijos informacija (skirta tik kintamajai srove maitinamiems modeliams)

Kontaktas	Aprašymas	Spalva – Šiaurės Amerika	Spalva – ES
1	Fazė (L1)	Juodas	Rudas
2	Nulis (N)	Baltas	Mėlynas
—	Apsauginis įžeminimas	Žalias	Žalias su geltona juostele

Lentelė 2 Nuolatinės srovės laidų instaliacijos informacija (skirta tik nuolatinė srove maitinamiems modeliams)

Kontaktas	Aprašymas	Spalva – Šiaurės Amerika	Spalva – ES
1	+24 VDC	Raudonas	Raudonas
2	24 VDC, grįžtamoji	Juodas	Juodas
—	Apsauginis žeminimas	Žalias	Žalias su geltona juostele





Įspėjamieji signalai ir relės

Valdiklyje yra keturios nemaitinamos 100–250 VAC, 50/60 Hz, 5 A maksimalios varžos vienpolės relės. Kontaktai gali atlaikyti 250 VAC, 5 A maksimalią varžą kintamosios srovės valdikliuose ir 24 VDC, 5 A maksimalią varžą nuolatinės srovės valdikliuose. Relės nebuvo tikrinamos dėl atsparumo indukciniais krūviams.

Instaliacijos relės

⚠ ĮSPĖJIMAS	
	Galima patirti mirtiną elektros smūgį. Kai ką nors jungiate prie elektros srovės, visada atjunkite prietaiso maitinimą.
⚠ ĮSPĖJIMAS	
	Gali kilti gaisras. Relės kontaktai atlaiko 5 A ir nėra apsaugoti saugikliu. Išoriniai krūviai, einantys per reles, turi būti ribojami srovės ribojimo prietaisais, mažinančiais srovę iki < 5 A.
⚠ ĮSPĖJIMAS	
	Gali kilti gaisras. Bendrųjų relės jungčių arba trumpiklių laidų nuo maitinimo jungties prietaiso viduje niekada neįjunkite nuosekliai.
⚠ ĮSPĖJIMAS	
	Galima patirti mirtiną elektros smūgį. Jei norite išsaugoti gaubto NEMA/IP aplinkos vertinimus, laidams į prietaisą nutiesti naudokite tik NEMA 4X/IP66 vamzdinę instaliaciją ir kabelines jungtis.

Kintamąja srove (100–250 V) maitinami valdikliai

Laidų instaliacijos skyrius nėra skirtas didesnei nei 250 VAC įtampai.

24 V nuolatinė srovė maitinami valdikliai

⚠ ĮSPĖJIMAS



Galima patirti mirtiną elektros smūgį. Kintamąją srovę maitinamus valdiklius (115–230 V) prie kintamosios srovės grandinių reikia jungti naudojant relę (t. y. kai įtampa didesnė nei 16 V-RMS, 22,6 V-PEAK arba 35 VDC).

⚠ ĮSPĖJIMAS



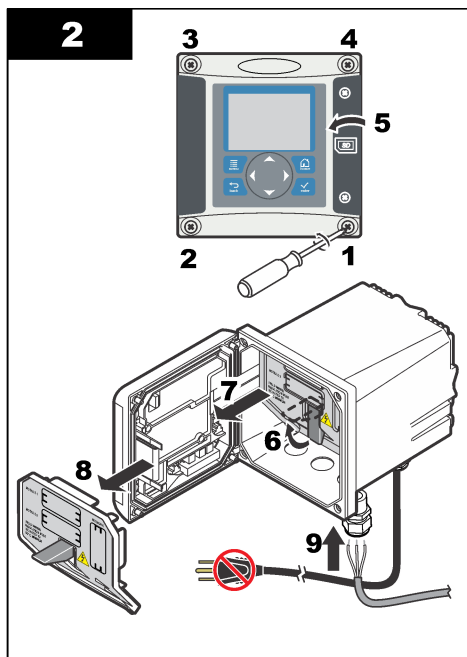
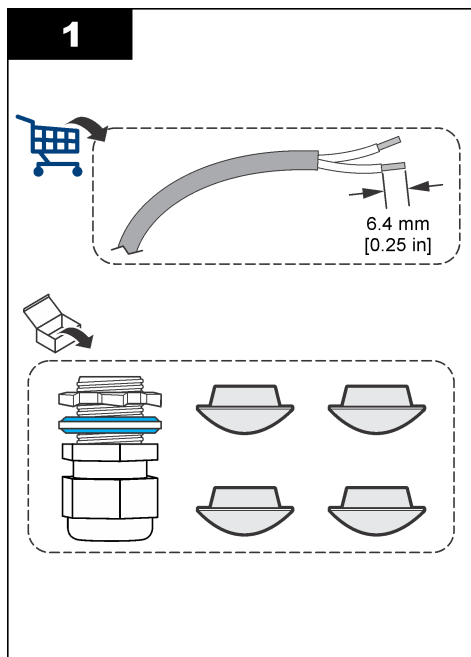
Galima patirti mirtiną elektros smūgį. 24 V maitinamus valdiklius prie mažos įtampos grandinių reikia jungti naudojant relę (t. y. kai įtampa mažesnė nei 16 V-RMS, 22,6 V-PEAK arba 35 VDC).

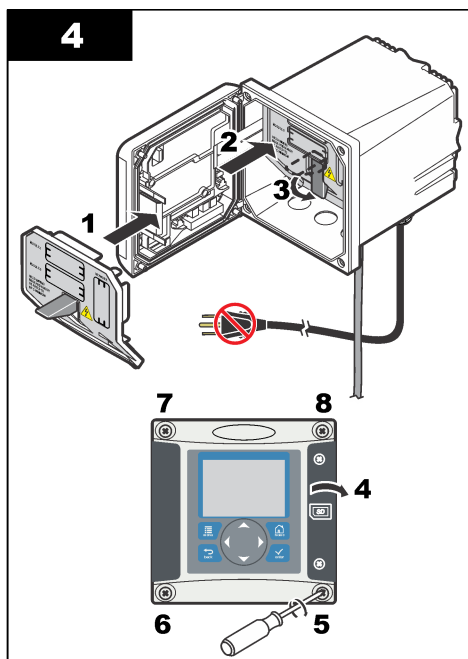
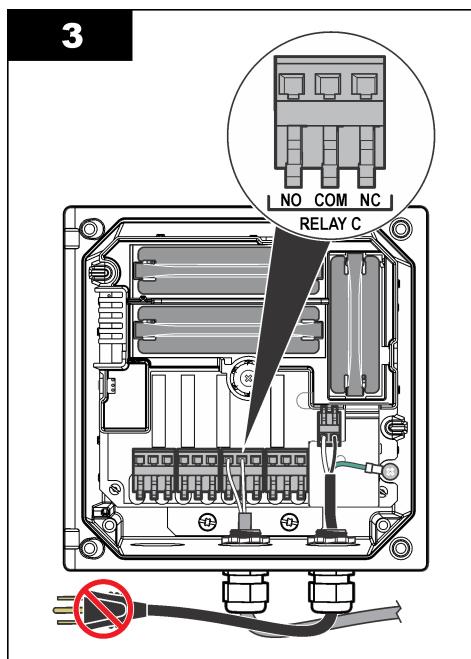
24 V nuolatinės srovės valdiklių relės skirtos prisijungimui prie žemos įtampos grandinių (t. y., kurių įtampa žemesnė nei 30 V-RMS, 42,2 V-PEAK ar 60 VDC). Laidų instaliacijos skyrius nėra skirtas didesnei nei nurodyta įtampai.

Relės jungčiai tinka 18–12 AWG laidas (kaip nustatyta pagal taikomą krūvį). Mažesnio kalibro nei 18 AWG laido nerekomenduojama naudoti.

Sujungiamasis (NO) ir bendrasis (COM) relės kontaktai bus sujungti, kai avarinis signalas arba kita sąlyga bus aktyvūs. Atjungiamasis (NC) ir bendrasis relės kontaktai bus sujungti, kai avarinis signalas arba kita sąlyga nebus aktyvūs (nebent „Fail Safe“ (Klaidingas suveikimas) yra nustatytas „Yes“ (Taip) arba kai nuo valdiklio atjungiamas maitinimas.

Daugeliui relių jungčių naudojami arba NO ir COM gnybtai, arba NC ir COM gnybtai. Sunumeruotais montavimo veiksmais nurodoma, kaip prijungti naudojant NO ir COM gnybtus.





Analoginės išvesties jungtys

⚠ | SPĖJIMAS



Galima patirti mirtiną elektros smūgį. Kai ką nors jungiate prie elektros srovės, visada atjunkite prietaiso maitinimą.

⚠ | SPĖJIMAS



Galima patirti mirtiną elektros smūgį. Jei norite išsaugoti gaubto NEMA/IP aplinkos vertinimus, laidams į prietaisą nutiesti naudokite tik NEMA 4X/IP66 vamzdinę instaliaciją ir kabelines jungtis.

Yra dvi izoliuotosios analoginės išvesties (1 ir 2) jungtys ([Paveikslėlis 8](#)). Šios išvesties jungtys paprastai naudojamos siunčiant analoginį signalą arba valdant kitus išorinius prietaisus.

Prijunkite laidus prie valdiklio, kaip parodyta [Paveikslėlis 8](#) ir [Lentelė 3](#).

Pastaba: [Paveikslėlis 8](#) parodys valdiklio dangčio užpakalinę dalį, o ne pagrindinio valdiklio skyriaus vidus.

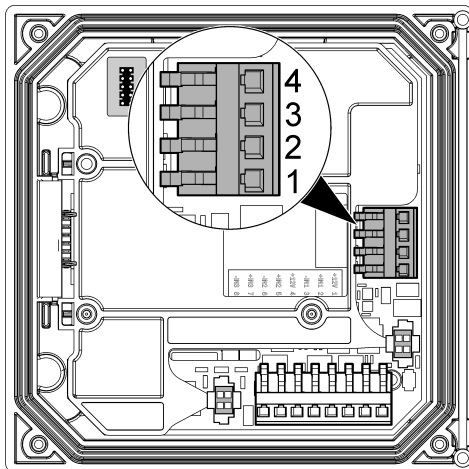
Lentelė 3 Išvesties jungtys

Irašymo įrenginio laidai	Schemos vieta
Išvestis 2-	4
Išvestis 2+	3
Išvestis 1-	2
Išvestis 1+	1

1. Atidarykite valdiklio dangtį.
2. Perkiškite laidus per fiksatorių.
3. Kiek reikia, pakoreguokite laido ilgį, tada priveržkite fiksatorių.

4. Sujunkite su izoliuotu susuktu dvigysliu laidu ir prijunkite valdomo komponento arba valdymo grandinės gale esančią izoliuojamąją apsaugą.
 - Izoliuotosios apsaugos nejunkite prie abiejų kabelio galų.
 - Jei naudosite neizoliuotąjį kabelį, gali būti viršytas leidžiamas skleidžiamų arba priimamų radijo bangų lygis.
 - Maksimali grandinės varža yra 500 omų.
5. Uždarykite valdiklio dangtį ir prisukite varžtus.
6. Sukonfigūruokite išvesties jungtis valdiklyje.

Paveikslėlis 8 Analoginės išvesties jungtys



Diskrečiosios įvesties laidų jungtys

⚠ ĮSPĖJIMAS



Galima patirti mirtiną elektros smūgį. Kai ką nors jungiate prie elektros srovės, visada atjunkite prietaiso maitinimą.

⚠ ĮSPĖJIMAS

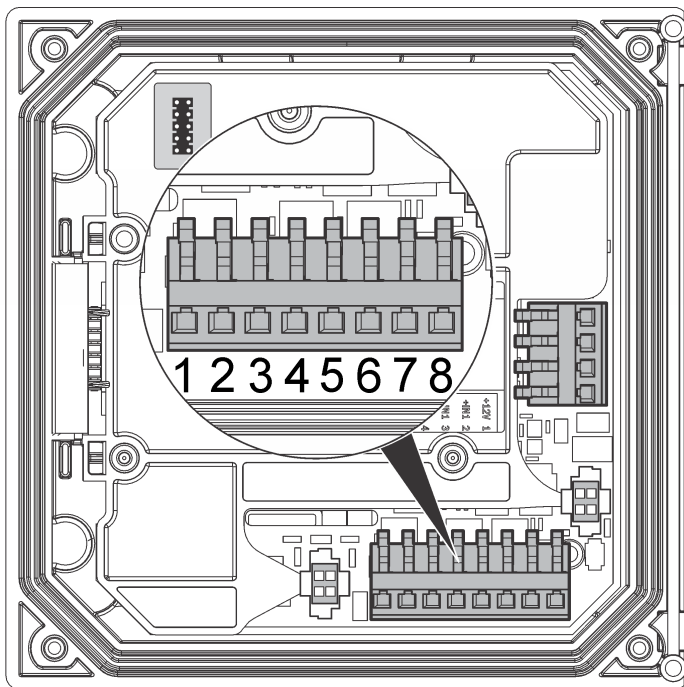


Galima patirti mirtiną elektros smūgį. Jei norite išsaugoti gaubto NEMA/IP aplinkos vertinimus, laidams į prietaisą nutiesti naudokite tik NEMA 4X/IP66 vamzdinę instaliaciją ir kabelines jungtis.

Trys diskrečiosios įvestys yra skirtos jungiklio korpuso įvestims arba loginio lygmens įtampos įvestims. Sujunkite laidus su valdikliu ir sukonfigūruokite jungės nuostatas, kaip parodyta [Paveikslėlis 9](#), [Lentelė 4](#) ir [Paveikslėlis 10](#).

Pastaba: [Paveikslėlis 9](#) parodyta valdiklio dangčio užpakalinė dalis, o ne pagrindinio valdiklio skyriaus vidus.

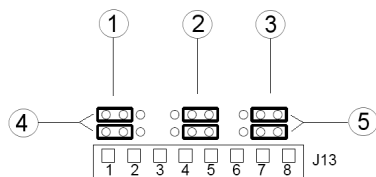
Paveikslėlis 9 Diskrečiosios įvesties laidų jungtys



Lentelė 4 Įvesties jungtys

Diskrečiosios įvestys	Jungties padėtis – jungiklio įvestis	Jungties padėtis – įtampos įvestis
Įvestis 1+	3	2
Įvestis 1-	2	3
Įvestis 2+	6	5
Įvestis 2-	5	6
Įvestis 3+	8	7
Įvestis 3-	7	8

Paveikslėlis 10 Jungės nuostatos



1 1 įvesties konfigūracijos jungės	4 Jungės į kairę jungiklio įvestims
2 2 įvesties konfigūracijos jungės	5 Jungės į dešinę įtampos įvestims
3 3 įvesties konfigūracijos jungės	

1. Atidarykite valdiklio dangtį.
2. Prakiškite laidus per kabelio riebockšį.
3. Kiek reikia, pakoreguokite laido ilgį, tada priveržkite riebockšį.
4. Jungės yra iškart už jungties. Išimkite jungtį, kad lengviau pasiektumėte junges, ir nustatykite junges pagal įvesties tipą, kaip parodyta [Paveikslėlis 10](#).
5. Uždarykite valdiklio dangtį ir prisukite varžtus.
6. Sukonfigūruokite įvesties jungtis valdiklyje.

Pastaba: *Jungiklio įvesties režimu valdiklis į jungiklį tiekia 12 voltų ir nėra izoliuotas nuo valdiklio. Įtampos įvesties režimu įvestys yra izoliuotos nuo valdiklio (naudotojo įvesties įtampa nuo 0 iki 30 voltų).*

Prijunkite skaitmeninį „sc“ jutiklį

Pastaba: *Norėdami prijungti analoginį jutiklį, vadovaukitės modulio arba jutiklio instrukcijoje pateiktais nurodymais.*

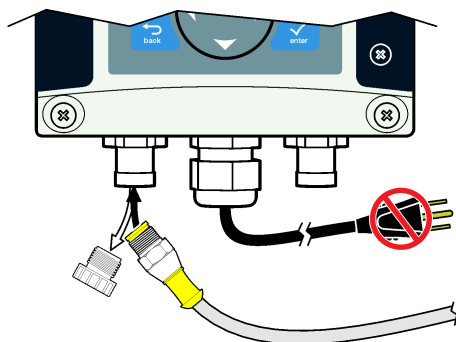
Skaitmeninį „sc“ jutiklį prie valdiklio galite prijungti naudodami sparčiąją jungtį ([Paveikslėlis 11](#)). Skaitmeninis jutiklis gali būti prijungiamas tiek valdikliui esant įjungtam, tiek išjungtam.

Prijungus jutiklį prie įjungto valdiklio neatliekama automatinė prietaisų paieška. Jei norite, kad valdiklis atliktų prietaisų paiešką, naršykite iki meniu „Test/Maintenance“ (Patikrinimas / priežiūra) ir pasirinkite „Scan Devices“ (Prietaisų paieška). Jei aptinkamas naujas prietaisas, valdiklis automatiškai atlieka diegimo procesą.

Prijungus jutiklį prie išjungto valdiklio prietaisų paieška bus atliekama, kai vėl bus įjungtas valdiklis. Jei aptinkamas naujas prietaisas, valdiklis automatiškai atlieka diegimo procesą.

Išsaugokite jungties dangtelį, kad galėtumėte užkimšti jungties angą, jei prireiks išimti jutiklį.

1.



Pasirinktinės skaitmeninio ryšio išvesties prijungimas

Gamintojas palaiko ryšio protokolus „Modbus RS485“, „Modbus RS232“, „Profibus DPV1“ ir HART. Pasirinktinės skaitmeninės išvesties modulis yra įstatomas [Paveikslėlis 7](#) Puslapyje 410 4 elementu pažymėtoje vietoje. Jei norite daugiau informacijos, skaitykite su tinklo modulių gautą instrukciją.

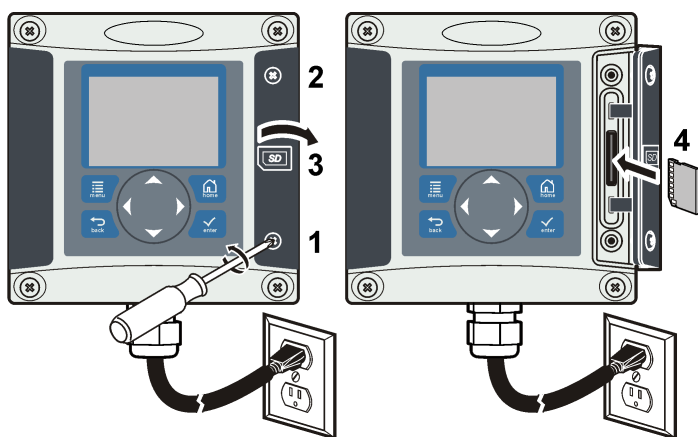
Jei reikia informacijos apie „Modbus“ registrus, eikite į <http://www.hach-lange.com> arba <http://www.hach.com> ir ieškokite *Modbus registers* („Modbus“ registrai) arba eikite į bet kurio sc200 gamtinio puslapį.

„Secure Digital“ (SD) atminties kortelės įdėjimas

Norėdami gauti informacijos, kaip įstatyti SD kortelę į valdiklį, žr. [Paveikslėlis 12](#). Informacijos, kaip naudoti SD atminties kortelę, galite rasti išplėstinėje šios instrukcijos versijoje

Norėdami išimti SD kortelę, paspauskite kortelės kraštą žemyn ir atleiskite, tada patraukite kortelę į viršų ir ištraukite ją iš angos. Išėmę kortelę uždarykite angos dangtelį ir priveržkite varžtus.

Paveikslėlis 12 SD kortelės įdėjimas

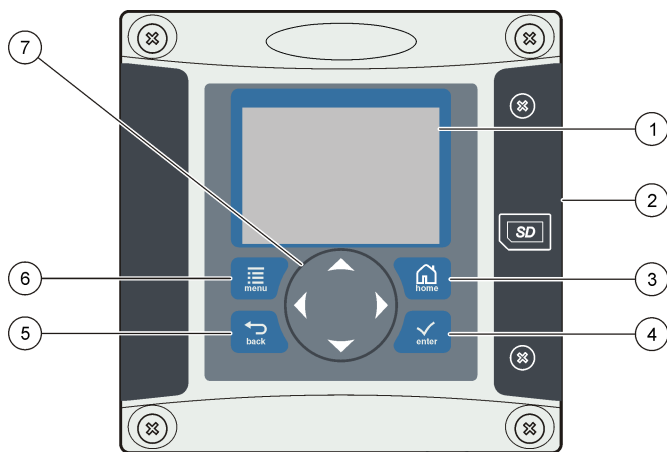


Naudotojo sąsają ir naršymas

Naudotojo sąsaja

Klaviatūroje yra keturi menu ir keturi kryptiniai mygtukai, kaip parodyta [Paveikslėlis 13](#).

Paveikslėlis 13 Klaviatūros ir priekinio skydelio apžvalga



1 Prietaiso ekranas	5 Mygtukas BACK (Atgal). Pereina vienu lygiu atgal menu struktūroje.
2 „Secure Digital“ (SD) kortelės angos dangtelis	6 Mygtukas MENU (Menu). Iš kitų ekranų arba pomeniu pereina į menu „Settings“ (Nustatymai).
3 Mygtukas HOME (Pagrindinis). Iš kitų ekranų ir pomeniu pereina į pagrindinį matavimo ekraną.	7 Kryptiniai mygtukai. Naudojami naršant po menu, keičiant nustatymus ir didinant ar mažinant skaičius.
4 Mygtukas ENTER (Įvesti). Priima įvestas reikšmes, atnaujinimus arba rodomas menu parinktis.	

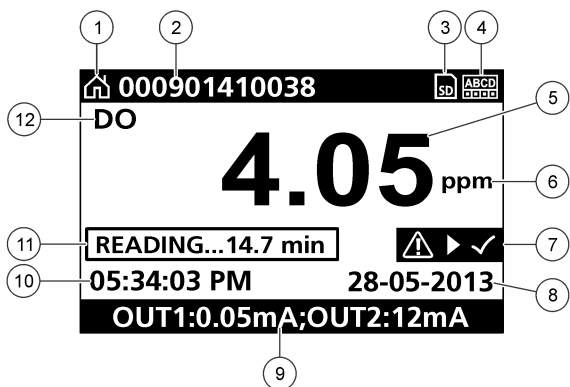
Įvestys ir išvestys yra nustatomos ir konfigūruojamos naudojant priekinio skydelio klaviatūrą ir ekraną. Ši vartotojo sąsaja yra naudojama įvestims ir išvestims nustatyti bei sukongūruoti, informacijos žurnalams sukurti, reikšmėms apskaičiuoti ir jutikliams kalibruoti. SD sąsaja galima naudoti žurnalams išsaugoti ir programinei įrangai atnaujinti.

Ekranas

[Paveikslėlis 14](#) parodytas pagrindinio matavimo ekrano su prie valdiklio prijungtu DO jutikliu pavyzdys.

Priekiniame ekrane rodomi jutiklio matavimo duomenys, kalibravimo ir konfigūravimo nustatymai, klaidos, įspėjimai ir kita informacija.

Paveikslėlis 14 Pagrindinio matavimo ekrano pavyzdys



1 Pagrindinio ekrano piktograma	7 Įspėjimo būsenos juosta
2 Jutiklio pavadinimas	8 „Date“
3 SD atminties kortelės piktograma	9 Analoginės išvesties vertės
4 Relės būsenos indikatorius	10 „Time“
5 Matavimo vertė	11 Eigos juosta
6 Matavimo vienetas	12 Matavimo parametras

Lentelė 5 Piktogramos aprašymas

Piktograma	Aprašymas
Pagrindinis ekranas	Piktogramos išvaizda gali skirtis atsižvelgiant į ekraną arba rodomą meniu. Pavyzdžiui, jei įdedama SD kortelė, čia pasirodo SD kortelės piktograma, kai naudotojas įeina į meniu „SD Card Setup“ (SD kortelės sąranka).
SD atminties kortelė	Ši piktograma pasirodo tik tada, kai SD kortelė yra įdėta į skaitytuvą. Kai naudotojas įeina į meniu „SD Card Setup“ (SD kortelės sąranka), ši piktograma pasirodo viršutiniame kairiajame kampe.
Įspėjimas	Įspėjamoji piktograma yra šauktukas trikampyje. Įspėjamosios piktogramos pasirodo pagrindinio ekrano rodinio dešinėje, po matavimo verte. Paspauskite klavišą ENTER ir pasirinkite įrenginį, kad peržiūrėtumėte bet kokias su juo susijusias problemas. Įspėjamoji piktograma nebebus rodoma, kai visos problemos bus išspręstos arba pripažintos.
Klaida	Klaidos piktograma yra šauktukas apskritime. Įvykus klaidai, pagrindiniame ekrane pakeitomis mirksi klaidos piktograma ir matavimo ekranas. Klaidoms peržiūrėti paspauskite klavišą MENU (Meniu) ir pasirinkite Diagnostics (Diagnostika). Tada pasirinkite įrenginį, kad peržiūrėtumėte su juo susijusias problemas.

Papildomi rodymo formatai

- Ekrane „Main Measurement“ (Pagrindiniai matavimai) paspauskite rodyklį klavišus **UP** (Aukštyn) ir **DOWN** (Žemyn), kad perjungtumėte matavimo parametrus
- Ekrane „Main Measurement“ (Pagrindiniai matavimai) paspauskite rodyklės klavišą **RIGHT** (Dešinė), kad perjungtumėte į padalytą ekraną, kurį gali sudaryti iki 4 matavimo parametrai. Paspauskite rodyklės klavišą **RIGHT** (Dešinė), kad įtrauktumėte papildomus matavimus. Paspauskite rodyklės klavišą **LEFT** (Kairė), kad grįžtumėte į ekraną „Main Measurement“ (Pagrindiniai matavimai)
- Ekrane „Main Measurement“ (Pagrindiniai matavimai) paspauskite rodyklės klavišą **LEFT** (Kairė), kad perjungtumėte grafinį vaizdą (parametrus aprašyti žr. [Grafinis rodinys](#) Puslapyje 422). Paspauskite klavišus **UP** (Aukštyn) ir **DOWN** (Žemyn), kad perjungtumėte matavimų grafikus

Grafinis rodinys

Grafikas parodo kiekvieno naudojamo kanalo koncentracijos ir temperatūros matmenis. Diagramoje patogu stebėti tendencijas ir pastebėti proceso pasikeitimus.

1. Grafinio rodinio ekrane rodyklių aukštyn ir žemyn klavišais pasirinkite grafiką ir paspauskite klavišą **HOME** (Pradžia).
2. Pasirinkite parinktį:

Parinktis	Aprašymas
MEASUREMENT VALUE (Matavimo vertė)	Nustatykite pasirinkto kanalo matavimo vertę. Rinkitės „Auto Scale“ (Automatinė skalė) arba „Manually Scale“ (Rankiniu būdu valdoma skalė). Rankiniu būdu valdomai skalei įveskite mažiausias ir didžiausias matavimo vertes
DATE & TIME RANGE (Datos ir laiko intervalas)	Iš galimų variantų pasirinkite datos ir laiko intervalą

Sistemos paleistis

Pirmą kartą paleidžiant iš eilės pasirodo ekranai „Language“ (Kalba), „Date Format“ (Datos formatas) ir „Date/Time“ (Data / laikas). Nustačius parinktis valdiklis atlieka prietaiso nuskaitymą ir parodo pranešimą „**Scanning for devices. Please wait...**“ (Ieškoma prietaisų. Palaukite...). Jei aptinkamas naujas prietaisas, valdiklis, prieš parodydamas pagrindinį matavimo ekraną, atlieką diegimo procesą.

Jei nuskaitant aptinkama anksčiau įdiegtų prietaisų, kurių konfigūracija nepasikeitė, pasibaigus nuskaitymui pirmosios padėties vietoje iškart pasirodo pagrindinis prietaiso matavimo ekranas.

Jei prietaisas buvo pašalintas iš valdiklio arba neaptinkamas kito išjungimo ir įjungimo ar iš meniu paleisto nuskaitymo metu, valdiklis parodo pranešimą „**Device missing**“ (Prietaiso nėra) ir paragina ištrinti prietaisą, kurio nėra.

Jei prie įstatyto analoginio modulio neprijungtas joks jutiklis, valdiklis parodys klaidą. Jei yra prijungtu prietaisų, tačiau jų valdiklis neaptinka, žr. [Trikčių šalinimas](#) Puslapyje 424.

Kalbos, datos ir laiko nustatymas pirmą kartą

Valdiklį įjungus pirmą kartą ir atkūrus konfigūracijos nustatymų numatytąsias reikšmes parodomi kalbos, datos ir laiko nustatymo ekranai.

Po to, kai nustatysite kalbos, datos ir laiko parinktis pirmą kartą, prireikus jas naujinkite naudodami „sc200“ sąrankos meniu.

1. Ekrane „Language“ (Kalba) esančiame parinkčių sąrašė pažymėkite kalbą ir spauskite mygtuką **ENTER**. Anglų kalba yra numatytoji valdiklio kalba. Pasirinkta kalba išsaugoma. Pasirodo ekranas „Date Format“ (Datos formatas).
2. Ekrane „Date Format“ (Datos formatas) pažymėkite formatą ir spauskite mygtuką **ENTER**. Datos ir laikos formatai išsaugomas. Tada pasirodo ekranas „Date/Time“ (Data / laikas).
3. Ekrane „Date/Time“ (Data / laikas) spauskite rodyklių mygtukus **! DEŠINĖ** arba **! KAIRĖ**, kad pažymėtumėte lauką, tada spauskite rodykles **AUKŠTYN** ir **ŽEMYN**, kad atnaujintumėte lauke esančią reikšmę. Jei reikia, atnaujinkite ir kitus laukus.
4. Spauskite mygtuką **ENTER**. Pakeitimai išsaugomi, o valdiklis atlieka paleisties prietaisų paiešką. Jei aptinkama prijungtu prietaisų, valdiklis vienetu pažymėtoje vietoje parodo pagrindinį prietaiso matavimo ekraną. Jei valdikliui nepavyksta aptikti prijungtu prietaisų, žr. [Trikčių šalinimas](#) Puslapyje 424.

Valdiklio konfigūravimo informacija


Bendroji informacija apie konfigūravimo parinktis pateikiama lentelėje.

1. Norėdami naršyti iki meniu parinkčių, meniu „Settings“ (Nustatymai) pasirinkite „sc200 Setup“ („sc200“ sąranka).

Parinktis	Aprašymas
Security setup (Saugos sąranka)	Nustatomos prieigos kodo nuostatos.
Output setup (Išvesties sąranka)	Konfigūruojamos analoginės valdiklio išvestys
Relės nustatymas	Konfigūruojamos valdiklio relės
Display setup (Ekranu nustatymas)	Konfigūruojamos valdiklio ekrano nuostatos
Set Date/Time (Nustatyti datą / laiką)	Nustatomas valdiklio laikas ir data
Datalog setup (Duomenų žurnalo sąranka)	Konfigūruojamos duomenų registravimo parinktys. Šia parinktimi galite naudotis, tik jei nustatytas skaičiavimas.
Manage Data (Duomenų valdymas)	Iš įrengtų komponentų sąrašo pasirinkite įrenginį, kad peržiūrėtumėte duomenis arba įvykių registrą
Error Hold Mode (Išlaikyti režimą įvykus klaidai)	Hold Outputs (Išlaikyti išvestis) – išlaikoma mažiausia žinoma išvesčių reikšmė, kai nutrūksta valdiklio ir jutiklio ryšys. Transfer Outputs (Perdavimo išvestys) – kai nutrūksta valdiklio ir jutiklio ryšys, įjungiamas perdavimo režimas. Nustatoma iš anksto nurodyta reikšmė.
Calculation (Skaičiavimas)	Konfigūruojama valdiklio matematikos funkcija
sc200 Information („sc200“ informacija)	S/W VER: (Programinės įrangos versija) – parodoma dabartinė valdiklio programinės įrangos versija Bootloader VER: (Įkėlimo priemonės versija) – parodoma dabartinė įkėlimo priemonės versija. Įkėlimo priemonės yra failas, kuris įkelia pagrindinę valdiklio operacinę sistemą S/N: (Serijos numeris) – parodomas valdiklio serijos numeris Version: (Versija:) – parodoma esama valdiklio aparatinės įrangos versija
Discrete Input Setup (Diskrečiosios įvesties sąranka)	Konfigūruojami trys diskrečiosios įvesties kanalai
Kalba	Nurodoma valdiklyje naudojama kalba

2. Pasirinkite parinktį ir spauskite **ENTER**, kad suaktyvintumėte meniu elementą.

Techninė priežiūra

▲ ATSARGIAI	
	Įvairūs pavojai. Šiame dokumento skyriuje aprašytas užduotis turi vykdyti tik kvalifikuoti darbuotojai.

Valdiklio valymas

▲ PAVOJUS



Prieš atlikdami priežiūros darbus visada atjunkite valdiklio maitinimą.

Pastaba: Valydami valdiklio dalis niekada nenaudokite degių ar koroziją sukeliančių tirpiklių. Naudojant tokius tirpiklius gali suplonėti įrenginio apsauginė danga, sauganti nuo aplinkos poveikio, ir nebegalioji garantija.

1. Pasirūpinkite, kad valdiklio dangtelis būtų gerai uždarytas.
2. Valdiklio išorę valykite vandeniu arba vandeniu ir švelniu plovikliu suvilgyta šluoste.

Trikčių šalinimas

Problema	Resolution (raiška)
Nėra srovės	Patikrinkite srovės išvesties konfigūraciją.
	Patikrinkite srovės išvesties signalą naudodami pomeniu „Test/Maintenance“ (Patikrinimas / priežiūra). Įveskite srovės reikšmę ir patikrinkite išvesties signalą valdiklio jungtyse.
	Susisiekite su techninės pagalbos skyriumi.
Neteisinga srovės išvestis	Patikrinkite srovės išvesties konfigūraciją.
	Patikrinkite srovės išvesties signalą naudodami pomeniu „Test/Maintenance“ (Patikrinimas / priežiūra). Įveskite srovės reikšmę ir patikrinkite išvesties signalą valdiklio jungtyse. Jei išvestis yra neteisinga, atlikite išvesties kalibravimą.
Nėra relės aktyvinimo	Įsitikinkite, kad relės jungtys geros.
	Jei naudojate išorinį maitinimo šaltinį, įsitikinkite, kad tinkamai sujungti relės laidai.
	Įsitikinkite, kad relės konfigūracija yra teisinga.
	Patikrinkite relės aktyvinimą meniu „Test/Maintenance“ (Patikrinimas / priežiūra). Relė turi tiekti energiją ir nutraukti tiekimą, kaip nustatyta.
	Įsitikinkite, kad nėra įjungtas valdiklio kalibravimo režimas ir kad relė nėra sulaukyta.
	Nustatykite perkrovos laikmatį iš naujo, kad įsitikintumėte, jog nesibaigė laikas.
Valdiklis neatpažįsta „Secure Digital“ (SD) atminties kortelės	Įsitikinkite, kad SD kortelė įdėta reikiama puse. Variniai kontaktai turi būti nukreipti į valdiklio ekraną.
	Įsitikinkite, kad SD kortelė į angą įstatyta iki galo ir užfiksuota spyruokliniu užraktu.
	Įsitikinkite, kad SD kortelė yra tinkamai suformatuota naudojant „Fat 32“ formatą. MMC formatas nėra palaikomas. Vadovaukitės kortelės gamintojo nurodymais ir suformatuokite SD kortelę kompiuteryje.
	Įsitikinkite, kad kortelės talpa nėra didesnė nei 32 GB.
Įsitikinkite, kad naudojama SD kortelė. Kiti kortelių tipai (pvz., „xSD“, „micro SD“, „mini SD“) neveiks tinkamai.	

Problema	Resolution (raiška)
Informacija SD kortelėje neišsaugoma arba išsaugoma netinkamai.	Įsitinkite, kad SD kortelė yra tinkamai suformatuota naudojant „FAT 32“ formatą. MMC formatas nėra palaikomas. Vadovaukitės kortelės gamintojo nurodymais ir suformatuokite SD kortelę kompiuteryje.
	Jei SD kortelė jau buvo naudota anksčiau, formatuokite kortelę „Fat 32“ formatu, įstatykite ją į valdiklį, tada pabandykite atsisiųsti failus.
	Pabandykite naudoti kitą SD kortelę.
SD kortelė pilna	Skaitykite SD kortelės duomenis kompiuteryje ar kitame kortelės skaitymo įrenginyje. Išsaugokite svarbius failus ir paskui SD kortelėje ištrinkite keletą ar visus failus.
Valdiklis SD kortelėje neranda programinės įrangos naujinių.	Dėdami SD kortelę į valdiklį įsitinkite, kad sukurtas tinkamas aplankas. Naujinių aplankas sukuriamas automatiškai.
	Įdėkite SD kortelę į kompiuterį ir įsitinkite, kad programinės įrangos failai yra reikiamame naujinių aplanke.
	Jei tą pačią SD kortelę naudojate su keliais valdikliais, kiekvienam valdikliui sistemoje bus sukurtas atskiras aplankas. Įsitinkite, kad programinės įrangos naujiniai yra naudojamam valdikliui skirtame aplanke.
Ekranas šviečia, tačiau jame nerodomi jokie simboliai arba jie yra neryškūs ir susilieję.	Ekranų kontrasto reguliavimas
	Įsitinkite, kad nuo ekrano nuimta apsauginė plėvelė.
	Nuvalykite valdiklio išorę, įskaitant ekraną.
Valdiklis neįsijungia arba įsijungia ne visada	Įsitinkite, kad prie valdiklio tinkamai prijungta kintamosios srovės maitinimo jungtis.
	Įsitinkite, kad ilgutavas, maitinimo laidas ir kištukas yra tinkamai prijungti.
	Susisiekitė su techninės pagalbos skyriumi
Neatpažįstamas tinklo arba jutiklio modulis	Įsitinkite, kad modulis įstatytas tinkamai.
	Įsitinkite, kad nustatytas tinkamas modulio pasirinkimo jungiklio skaičius.
	Įšimkite jutiklio modulį ir įstatykite jį į kitą analoginę angą. Įjunkite valdiklio maitinimą ir leiskite jam atlikti prietaisų paiešką.
	Susisiekitė su techninės pagalbos skyriumi.

Problema	Resolution (raiška)
Neatpažįstamas jutiklis Pastaba: Galimo ekrano pranešimo pavyzdys: ****	Jei jutiklis yra analoginis, o valdiklyje yra įstatytas atitinkamas modulis, vadovaukitės su tinklo arba jutiklio moduliui teikiamomis instrukcijomis.
	Įsitikinkite, kad skaitmeninės jungties laidai yra durelių mechanizmo viduje ir kad šie laidai nėra pažeisti.
	Jei skaitmeninis jutiklis yra prijungtas prie valdiklio naudojant skaitmeninę paskirstymo dėžutę, naudotojo montažinę dėžutę, skaitmeninius ilginimo kabelius arba naudotojo ilginimo kabelį, jutiklį prijunkite tiesiai prie valdiklio ir atlikite prietaisų paiešką. Jei valdiklis atpažįsta jutiklį, patikrinkite, ar visi montažinės dėžutės arba ilginimo kabelio laidai sujungti tinkamai.
	Įsitikinkite, kad valdiklyje yra įstatyti tik du jutikliai. Nors analoginių modulių priedavai yra du, jei įstatysite skaitmeninį jutiklį ir du analoginius modulius, valdiklyje bus rodomi tik du iš trijų prietaisų.
	Susisiekite su techninės pagalbos skyriumi
Pasirodo klaidos pranešimas, sakantis, kad prietaiso nėra	Atlikite prietaisų paiešką naudodami meniu „Test/Maintenance“ (Patikrinimas / priežiūra).
	Išjunkite ir vėl įjunkite valdiklį

Содержание

Технические характеристики на стр. 427

Запуск системы на стр. 449

Общая информация на стр. 428

Обслуживание на стр. 450

Монтаж на стр. 431

Поиск и устранение проблем на стр. 451

Пользовательский интерфейс и навигация
на стр. 447

Дополнительная информация

Дополнительную информацию можно найти на сайте производителя.

Технические характеристики

В технические характеристики могут быть внесены изменения без предварительного уведомления.

Характеристика	Данные
Описание компонентов	Контроллер с меню под управлением микропроцессора, управляющий датчиком и отображающий результаты измерений.
Диапазон рабочих температур	От -20 до 60 °C; относительная влажность 95% без конденсации при нагрузке на датчике до 7 Вт; от -20 до 50 °C при нагрузке на датчике до 28 Вт
Температура хранения	От -20 до 70 °C; относительная влажность 95% без конденсации
Корпус ¹	Металлический корпус NEMA 4X/IP66 с антикоррозийным покрытием
Потребляемая мощность	AC powered controller: 100-240 В переменного тока ±10%, 50/60 Гц; мощность 50 Вт при нагрузке модуля датчика/сетевого модуля 7 Вт, 100 Вт при нагрузке модуля датчика/сетевого модуля 28 Вт (возможность сетевого подключения Modbus, RS232/RS485, Profibus DPV1 или HART). Контроллер с питанием 24 В постоянного тока: 24 В пост. тока —15%, +20%; мощность 15 Вт при нагрузке модуля датчика/сетевого модуля 7 Вт, 40 Вт при нагрузке модуля датчика/сетевого модуля 28 Вт (возможность сетевого подключения Modbus, RS232/RS485, Profibus DPV1 или HART).
Высота эксплуатации	2000 м (6562 футов) над уровнем моря
Степень загрязнения/категория установки	Степень загрязнения 2; категория монтажа II
Выходы	Два аналоговых выхода (0-20 мА или 4-20 мА) Каждый выходной сигнал может быть назначен для измеряемого параметра, например: pH, температура, расход или расчетные значения. Опциональный модуль подает три дополнительных аналоговых выходных сигнала (всего 5).
Реле	Четыре однополюсных реле на два направления, настраиваемые пользователем контакты рассчитаны на максимальную резистивную нагрузку 250 В переменного тока, 5 А для контроллера с питанием переменного тока и на максимальную резистивную нагрузку 24 В пост. тока, 5 А для контроллера с питанием переменного тока. Реле предназначены для работы с источником питания переменного тока (т.е. при работе контроллера от сети 115 - 240 В переменного тока) или постоянного тока (т.е. при работе контроллера от источника питания 24 В пост. тока).
Габариты	½ DIN—144 x 144 x 180,9 мм (5,7 x 5,7 x 7,12")

Характеристика	Данные
Вес	1,7 кг
Информация о соответствии техническим условиям ²	Соответствует техническим условиям CE (для всех типов датчиков). Зарегистрировано ETL для эксплуатации в неспециализированных условиях по стандартам безопасности UL и CSA (для всех типов датчиков). Ряд моделей с питанием переменного тока зарегистрирован ETL для эксплуатации в неспециализированных условиях по стандартам безопасности UL и CSA (для всех типов датчиков).
Цифровой канал связи	Оptionальное сетевое подключение Modbus, RS232/RS485, Profibus DPV1 или HART для передачи данных
Регистрация данных	Карта памяти SD (макс. 32 ГБ) или специальный разъем кабеля RS232 для регистрации данных и выполнения обновления программы. Контроллер хранит приблизительно 20000 данным точек на датчик.
Гарантия	2 года

¹ Блоки, сертифицированные в соответствии с UL, предназначены для работы только в помещениях и не соответствуют уровню защиты NEMA 4X/IP66.

² Блоки с питанием постоянного тока не зарегистрированы по стандартам UL.

Общая информация

Производитель ни при каких обстоятельствах не несет ответственности за прямой, не прямой, умысленный, неумысленный или косвенный ущерб в результате любых недочетов или ошибок, содержащихся в данном руководстве. Производитель оставляет за собой право вносить изменения в руководство или описанную в нем продукцию без извещений и обязательств. Все обновления можно найти на веб-сайте производителя.

Указания по безопасности

УВЕДОМЛЕНИЕ

Изготовитель не несет ответственности за любые повреждения, вызванные неправильным применением или использованием изделия, включая, без ограничения, прямой, неумысленный или косвенный ущерб, и снимает с себя ответственность за подобные повреждения в максимальной степени, допускаемой действующим законодательством. Пользователь несет исключительную ответственность за выявление критических рисков в работе и установку соответствующих механизмов для защиты обследуемой среды в ходе возможных неполадок оборудования.

Внимательно прочтите все руководство пользователя, прежде чем распаковывать, устанавливать или вводить в эксплуатацию оборудование. Соблюдайте все указания и предупреждения относительно безопасности. Их несоблюдение может привести к серьезной травме обслуживающего персонала или выходу из строя оборудования.

Чтобы гарантировать, что обеспечиваемая оборудованием защита не нарушена, не используйте или не устанавливайте данное оборудование никаким иным способом, кроме указанного в данном руководстве.

Информация о потенциальных опасностях

▲ ОПАСНОСТЬ

Указывает на потенциальные или непосредственно опасные ситуации, которые при нарушении могут привести к серьезным травмам или смерти.

▲ ПРЕДУПРЕЖДЕНИЕ

Указывает на потенциальные или непосредственно опасные ситуации, которые при нарушении могут привести к серьезным травмам или смерти.

▲ ОСТОРОЖНО





Указывает на потенциально опасную ситуацию, которая может привести к травмам малой и средней тяжести.

УВЕДОМЛЕНИЕ

Указывает на ситуацию, которая, если ее не избежать, может привести к повреждению оборудования. Информация, на которую следует обратить особое внимание.

Предупредительные надписи

Прочтите все бирки и этикетки на корпусе прибора. При их несоблюдении возникает опасность телесных повреждений или повреждений прибора. Символ на приборе вместе с предостережением об опасности включен в руководство.

	Данный символ, если нанесен на прибор, требует обращения к руководству по эксплуатации за информацией об эксплуатации и/или безопасности.
	Этот символ указывает на опасность поражения электрическим током и/или на возможность получения смертельной электротравмы.
	Этот символ указывает на наличие устройств, чувствительных к электростатическому разряду, и указывает, что следует быть очень внимательными во избежание их повреждения.
	Начиная с 12 августа 2005 г., электрооборудование, отмеченное данным знаком, не может быть утилизировано в системах обработки обычных городских отходов в странах Европы. Согласно действующим местным и национальным положениям (Директива ЕС 2002/96/ЕС), пользователи стран Европейского Союза обязаны возвращать старые или отслужившие свой срок электроприборы производителю для их утилизации, не неся при этом никаких расходов.

Сертификаты

Канадские нормативные требования к оборудованию вызывающему помехи, IECIS-003, класс A:

Прилагающиеся протоколы испытаний находятся у производителя.

Данное цифровое устройство класса A отвечает всем требованиям канадских норм относительно вызывающего помехи оборудования.

Cet appareil numérique de classe A répond à toutes les exigences de la réglementation canadienne sur les équipements provoquant des interférences.

Правила FCC, часть 15, ограничения класса "A"

Прилагающиеся протоколы испытаний остаются у производителя. Данное устройство соответствует требованиям части 15 правил FCC. Эксплуатация может производиться при выполнении двух следующих условий:

1. Устройство не должно создавать опасные помехи.
2. Устройство должно допускать любое внешнее вмешательство, в том числе способное привести к выполнению нежелательной операции.

Изменения и модификации данного устройства без явного на то согласия стороны, ответственной за соответствие стандартам, могут привести к лишению пользователя прав на эксплуатацию данного устройства. Результаты испытаний данного устройства свидетельствуют о соответствии ограничениям для цифровых устройств класса "A", изложенным в части 15 правил FCC. Данные ограничения предназначены для обеспечения разумной защиты от вредных помех при работе оборудования в коммерческой среде. Данное устройство генерирует, использует и может излучать радиочастотную энергию, и в случае установки и использования вопреки требованиям руководства по эксплуатации может стать источником помех, опасных для устройств радиосвязи. Эксплуатация данного устройства в

населенных пунктах может привести к возникновению опасных помех – в этом случае пользователь будет обязан устранить их за свой счет. Для сокращения помех можно использовать следующие методы:

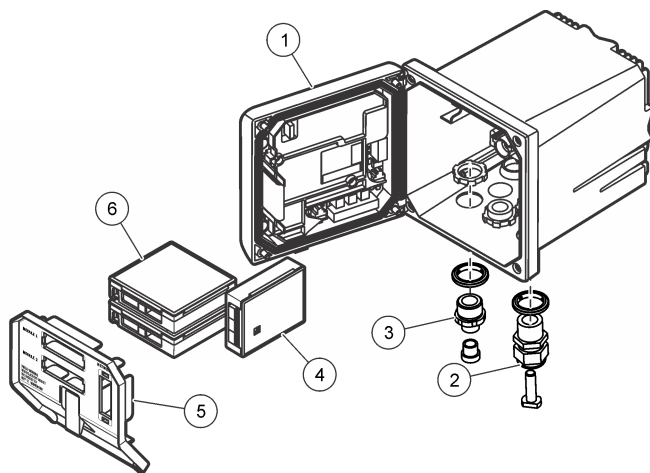
1. Отсоедините устройство от источника питания, чтобы убедиться, что именно оно является источником помех.
2. Если устройство подключено к той же розетке, что и прибор, при работе которого наблюдаются помехи, подключите устройство к другой розетке.
3. Переместите устройство подальше от прибора, для работы которого он создает помехи.
4. Поменяйте положение антенны другого устройства, принимающего помехи.
5. Попробуйте разные сочетания указанных выше мер.

Основные сведения об изделии

Контроллер может отображать данные измерений с датчиков и другие данные, передавать аналоговые и цифровые сигналы, а также взаимодействовать с другими устройствами и управлять ими при помощи выходных сигналов и реле. Выходы, реле, датчики и модули датчиков настраиваются и калибруются через пользовательский интерфейс на передней панели контроллера.

На [Рисунок 1](#) показаны компоненты изделия. Компоненты могут различаться в зависимости от конфигурации контроллера. В случае нехватки или повреждения компонентов обратитесь к изготовителю.

Рисунок 1 Компоненты системы



1 Контроллер	4 Сетевой модуль (опционально)
2 Кабельная разгрузка (опционально, в зависимости от версии контроллера)	5 Высоковольтный экран
3 Кабельный ввод для цифрового подключения (опционально, в зависимости от версии контроллера)	6 Модули датчиков (опционально)

Датчики и модули датчиков

В контроллере может устанавливаться до двух модулей датчиков или двух цифровых датчиков (в зависимости от конфигурации контроллера), а также один модуль связи. Совместно могут быть установлены один цифровой датчик и один блок датчика. К модулям датчиков при помощи кабелей могут быть подсоединены различные датчики. Указания по расположению кабелей датчиков приводятся в руководствах по соответствующему датчику и соответствующему модулю.

Реле, выходы и сигналы

Контроллер имеет четыре настраиваемых релейных выхода и два аналоговых выхода. Опциональный модуль аналоговых выходов позволяет увеличить число аналоговых выходов до пяти.

Поиск устройств

Кроме двух случаев, контроллер автоматически, без вмешательства пользователя, ищет подключенные устройства при включении питания. Первое исключение: первое включение контроллера перед первым использованием. Второе исключение: включение питания после сброса настроек контроллера к значениям по умолчанию. В обоих случаях на контроллере выводятся экраны выбора языка, даты и времени. После установления настроек языка, даты и времени контроллер выполняет поиск устройств. Инструкции по поиску устройств после включения контроллера см. в [Подключение цифрового датчика sc](#) на стр. 445.

Корпус контроллера

Корпус контроллера относится к классу NEMA 4X/IP66 и имеет антикоррозийное покрытие, предназначенное для работы в агрессивной среде, такой как солевой туман или сероводород. При работе вне помещения настоятельно рекомендуется предусмотреть защиту от воздействия внешней среды.

Примечание: Блоки, сертифицированные в соответствии с UL, предназначены для работы только в помещениях и не соответствуют уровню защиты NEMA 4X/IP66.

Способы установки контроллера

Контроллер можно устанавливать на панели, на стене, на вертикальной или горизонтальной трубе. Прилагаемая неопределенная уплотнительная прокладка может использоваться для уменьшения вибрации. Прокладку можно использовать как основу при установке на панели до отделения внутренней компоненты прокладки.

Монтаж

Установка компонентов и габаритные размеры

▲ ОСТОРОЖНО

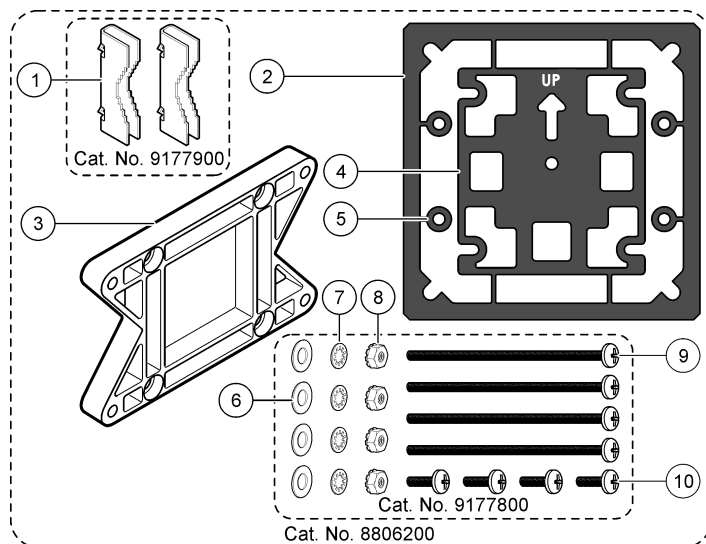
Риск получения травмы. Работы, описываемые в данном разделе настоящего руководства пользователя, должны выполняться только квалифицированным персоналом.

Контроллер можно установить на поверхности, на панели или на трубе (горизонтальной или вертикальной). Варианты установки и инструкции приведены на [Рисунок 2](#), [Рисунок 3](#) на стр. 433, [Рисунок 4](#) на стр. 434, [Рисунок 5](#) на стр. 435 и [Рисунок 6](#) на стр. 436.

При установке на горизонтальной трубе лапы крепления ([Рисунок 2](#)) закрепляются на монтажной скобке в вертикальном положении.

При горизонтальной и вертикальной установке монтажная скобка присоединяется к контроллеру, как показано на [Рисунок 5](#) на стр. 435.

Рисунок 2 Элементы крепления



<p>1 Лапы крепления (2x)</p>	<p>6 Плоская шайба, внутренний диаметр ¼ дюйма (4x)</p>
<p>2 Уплотнительная прокладка для установки на панели, неопрен</p>	<p>7 Стопорная шайба, внутренний диаметр ¼ дюйма (4x)</p>
<p>3 Скобка для установки на стене или на трубе</p>	<p>8 Гайка шестигранная с зубчатой шайбой, М5 x 0,8 (4x)</p>
<p>4 Виброизолирующая прокладка для установки на трубе</p>	<p>9 Винты с плоскоконической головкой, М5 x 0,8 x 100 мм (4x) (для установки на трубах различных диаметров)</p>
<p>5 Виброизолирующая шайба для установки на трубе (4x)</p>	<p>10 Винты с плоскоконической головкой, М5 x 0,8 x 15 мм (4x)</p>

Примечание: Кронштейн для крепления панели доступен в качестве дополнительного аксессуара.

Установка контроллера

Рисунок 3 Размеры при монтаже на поверхности

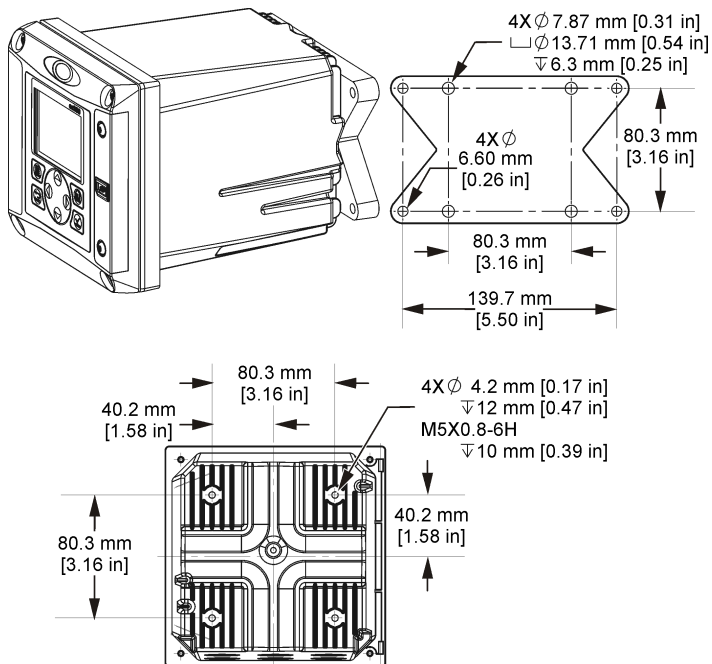
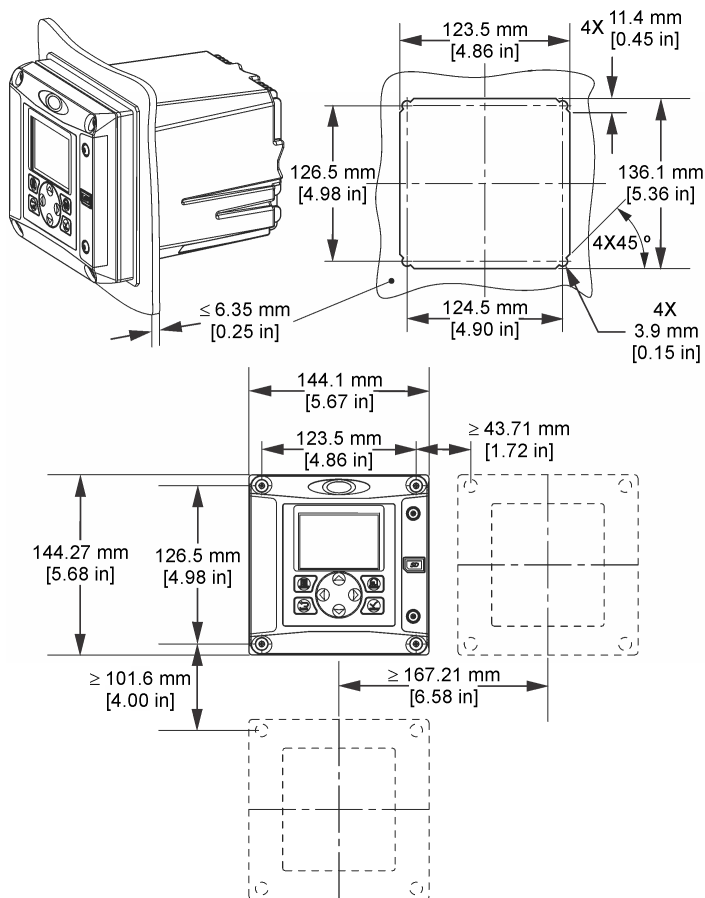


Рисунок 4 Размеры при монтаже на панели



Примечание: При использовании кронштейна (дополнительно) для крепления панели протолкните контроллер через отверстие в панели, затем поместите кронштейн над контроллером с задней стороны панели. С помощью четырех винтов с цилиндрической головкой (поставляются в комплекте) прикрепите кронштейн к контроллеру, а контроллер прикрепите к панели.

Рисунок 5 Установка на трубе (вертикальной)

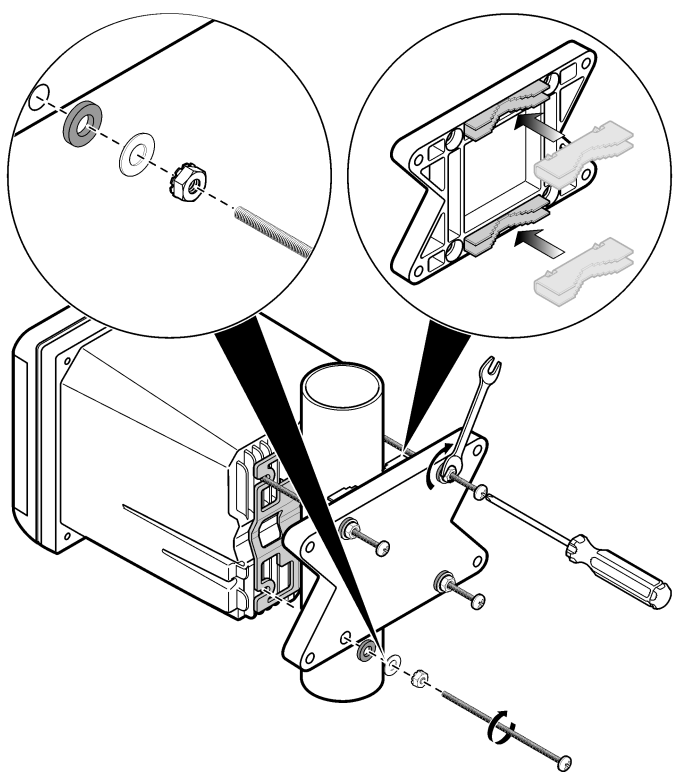
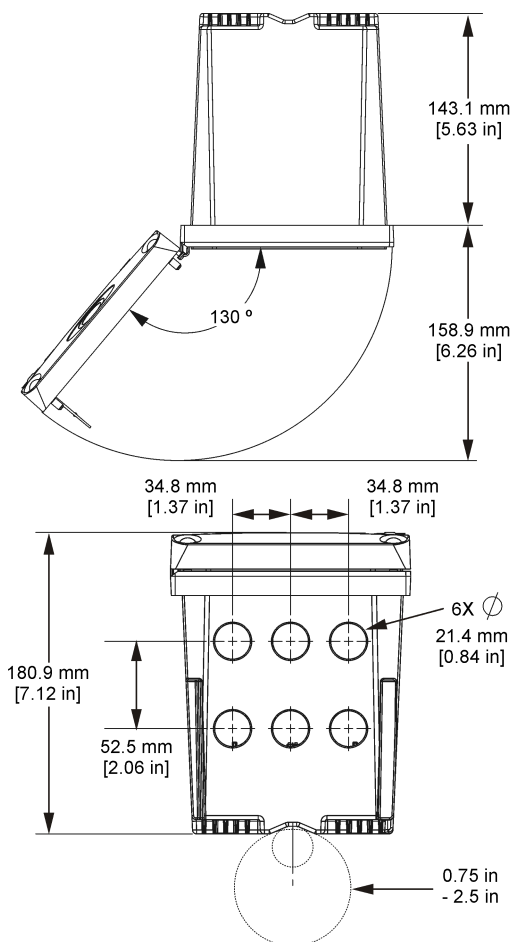


Рисунок 6 Вид сверху и снизу



Высоковольтный экран

Высоковольтные кабели контроллера находятся за экраном высокого напряжения в корпусе контроллера. Экран должен находиться на месте, за исключением случаев установки модулей или выполняемых квалифицированным инженером работ с кабелями питания, сигнализации, выходов или реле. Запрещается снимать экран, если контроллер находится под напряжением.

Замечания, касающиеся электростатического разряда (ESD)

УВЕДОМЛЕНИЕ



Возможность повреждения прибора. Чувствительные электронные компоненты могут быть повреждены статическим электричеством, что приведет к ухудшению рабочих характеристик прибора или его последующей поломке.

Выполните шаги в процедуре для предотвращения повреждения прибора электростатическим разрядом:

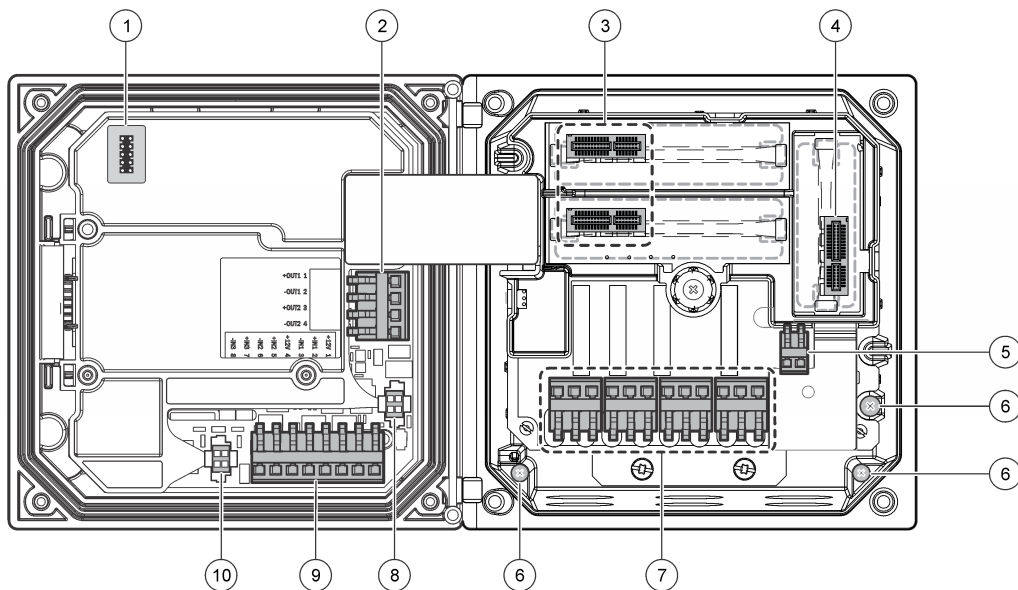
- Коснитесь заземленной металлической поверхности, например, шасси прибора, металлического трубопровода или трубы, чтобы снять электростатический заряд с тела.
- Избегайте чрезмерных перемещений. Транспортировку чувствительных к электростатическим разрядам компонентов следует производить в антистатических контейнерах или упаковках.
- Следует носить антистатический браслет, соединенный провод с заземляющим контактом.
- Следует работать в электростатически безопасном окружении с антистатическими ковриками и ковриками для рабочего места.

Схема соединений

На [Рисунок 7](#) приводится общий вид соединений внутри контроллера со снятым высоковольтным экраном. В левой части рисунка показана обратная сторона крышки контроллера.

Примечание: перед установкой модуля удалите колпачки разъемов.

Рисунок 7 Схема соединений



1 Подключение сервисного кабеля	5 Разъемы питания переменного и постоянного тока ¹	9 Соединитель проводки, дискретный вход ¹
2 Выход 4-20 мА ¹	6 Клеммы заземления	10 Разъем цифрового датчика ¹
3 Разъем модуля датчика	7 Клеммы реле ¹	
4 Разъем коммуникационного модуля (напр., Modbus, Profibus, HART, опциональный модуль 4-20 мА и др.)	8 Разъем цифрового датчика ¹	

¹ Для облегчения доступа клеммы можно снять.

Разводка питания

▲ ПРЕДУПРЕЖДЕНИЕ



Опасность поражения электрическим током. При выполнении работ по электромонтажу всегда отключайте питание от прибора.

▲ ПРЕДУПРЕЖДЕНИЕ



Опасность поражения электрическим током. При использовании прибора на открытом воздухе, в условиях потенциальной повышенной влажности, может произойти **короткое замыкание**, поэтому необходимо использовать специальные приспособления для подключения устройства к электросети.

▲ ОПАСНОСТЬ



Опасность поражения электрическим током. Не подключайте модель, требующую напряжения 24 В, к сети переменного тока.

▲ ПРЕДУПРЕЖДЕНИЕ



Опасность поражения электрическим током. Защитное заземление (РЕ) требуется для электропроводки от 100 до 240 В пер. тока и 24 В пост. тока. Отсутствие хорошего защитного заземления может привести к поражению электрическим током и плохой работе вследствие электромагнитных помех. **ВСЕГДА** подключайте надежное защитное заземление к зажиму контроллера.

УВЕДОМЛЕНИЕ

Устанавливайте прибор таким образом, чтобы его удобно было в любой момент отсоединить или выключить.

Контроллер выпускается в модификациях на 100-240 В перем. тока и на 24 В пост. тока. Необходимо следовать инструкциям по разводке питания для приобретенной модели.

Контроллер может подключаться к линии питания непосредственно или при помощи кабеля питания. Независимо от типа монтажа подключение выполняется к одним и тем же клеммам. Локальное отключение должно отвечать требованиям местных электротехнических правил и норм и должно быть определено для всех типов установок. В случаях фиксированного подключения линии питания и заземления для прибора должны соответствовать от 18 до 12 AWG.

Примечания:

- Перед выполнением любых электрических соединений высоковольтный экран должен быть снят. По завершении всех соединений высоковольтный экран необходимо вернуть на место перед закрытием крышки контроллера.
- Для защиты от воздействия окружающей среды по классу NEMA 4X/IP66 могут использоваться герметичная кабельная разгрузка и кабель питания длиной не более 3 метров с тремя проводом диаметра 18 (в том числе провод заземления).
- Контроллер можно заказать с предустановленным кабелем питания переменного тока. Можно также заказать дополнительные кабели питания.
- Источник питания для контроллера с питанием 24 В= должен обеспечивать постоянство напряжения 24 В= в пределах -15% +20%. Источник питания постоянного тока должен также обеспечивать необходимый уровень защиты от скачков и подъемов напряжения в сети.

Процедура подключения

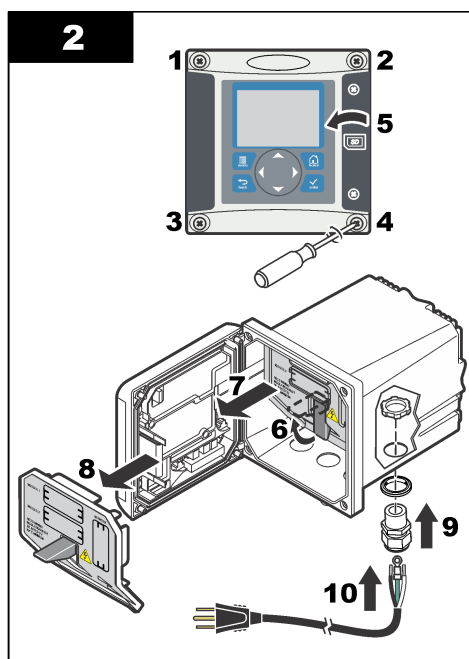
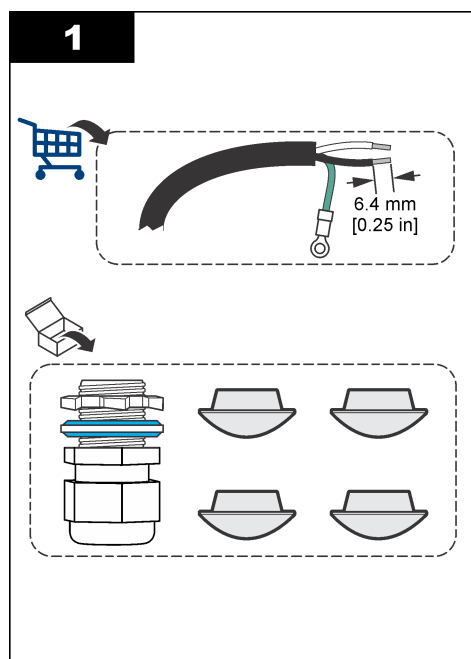
При подсоединении проводов питания контроллера необходимо следовать приведенным далее иллюстрированным инструкциям и см. [Таблица 1](#) или [Таблица 2](#). Каждый проводник вставляется в соответствующую клемму, так чтобы изоляция доходила до клеммы, не оставляя оголенного провода. Осторожно затяните клемму для обеспечения надежного контакта. Закройте все неиспользуемые отверстия в корпусе контроллера гермовводами кабельного канала.

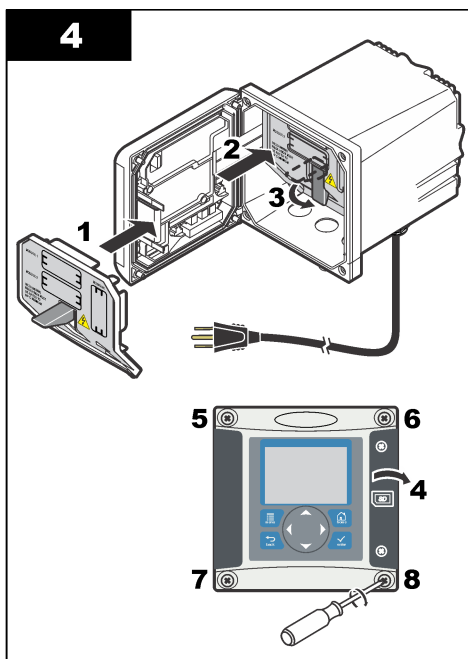
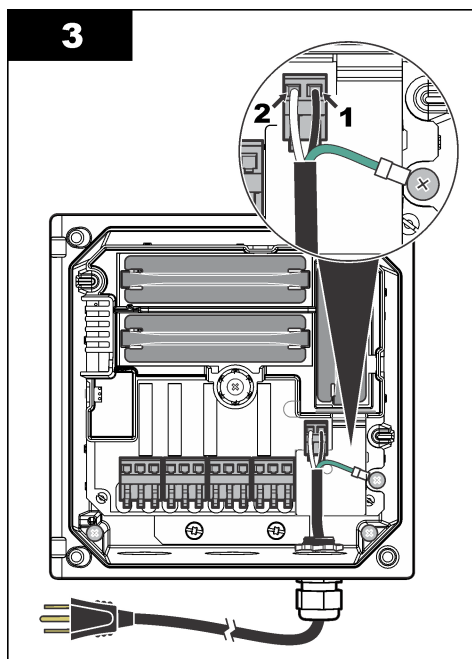
Таблица 1 Информация по разводке питания переменного тока (только для моделей с питанием переменного тока)

Клемма	Описание	Цвет — Северная Америка	Цвет — ЕС
1	Фаза (L1)	Черный	Коричневый
2	Ноль (N)	Белый	Синий
—	Проушина защитного заземления (PE)	Зеленый	Зеленый с желтой полоской

Таблица 2 Информация по разводке питания постоянного тока (только для моделей с питанием постоянного тока)

Клемма	Описание	Цвет — Северная Америка	Цвет — ЕС
1	+24 В пост. тока	Красный	Красный
2	Обратный провод 24 В пост. тока	Черный	Черный
—	Проушина защитного заземления (PE)	Зеленый	Зеленый с желтой полоской





Сигнализация и реле

Контроллер снабжен четырьмя однополюсными реле без питания, рассчитанными на максимальную резистивную нагрузку 100-250 В~, 50/60 Гц, 5 А. Контакты рассчитаны на максимальную резистивную нагрузку 100-250 В~, 5 А для контроллера с питанием переменного тока и на максимальную резистивную нагрузку 24 В=, 5 А для контроллера с питанием переменного тока. Реле не рассчитаны на индуктивную нагрузку.

Подключение реле

▲ ПРЕДУПРЕЖДЕНИЕ



Опасность поражения электрическим током. При выполнении работ по электромонтажу всегда отключайте питание от прибора.

▲ ПРЕДУПРЕЖДЕНИЕ



Опасность возникновения пожара. Контакты реле рассчитаны на ток 5 А и не защищены предохранителем. Внешняя нагрузка, подключаемая к реле, должна иметь устройство ограничения тока не выше 5 А.

▲ ПРЕДУПРЕЖДЕНИЕ



Опасность возникновения пожара. Не рекомендуется часто переключать общие контакты реле или перемычки от сетевого источника питания внутри устройства.

▲ ПРЕДУПРЕЖДЕНИЕ



Опасность поражения электрическим током. Для обеспечения защиты корпуса от воздействия окружающей среды по классу NEMA/IP для ввода кабелей в устройство рекомендуется использовать только разъемы и сальники кабелей класса не ниже NEMA 4X/IP66.

Контроллеры с питанием переменного тока (100—250 В)

Отсек для кабелей не рассчитан для подключения к источникам напряжения свыше 250 В перем. тока.

Контроллеры с питанием 24 В пост. тока

▲ ПРЕДУПРЕЖДЕНИЕ



Опасность поражения электрическим током. Реле контроллера с питанием от сети переменного тока (115 В –230 В) предназначены для включения в цепи питания переменного тока (напр., напряжений ниже 16 В — действующего, 22,6 В — пикового, 35 В — постоянного тока).

▲ ПРЕДУПРЕЖДЕНИЕ



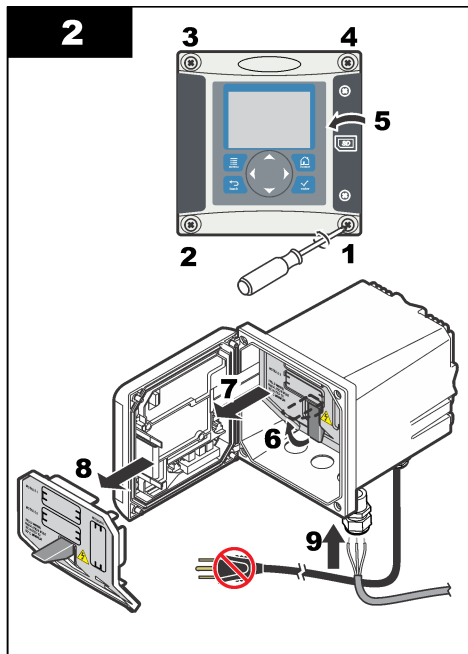
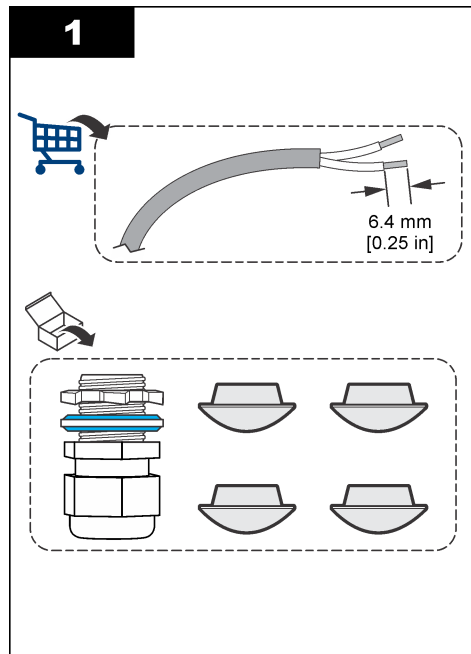
Опасность поражения электрическим током. Реле контроллера с питанием 24 В пост. тока предназначены для подключения к схемам низкого напряжения (напр., напряжений ниже 16 В — действующего, 22,6 В — пикового, 35 В — постоянного тока).

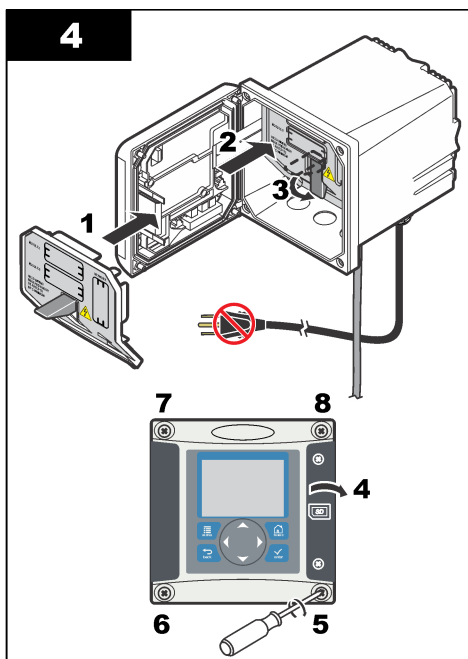
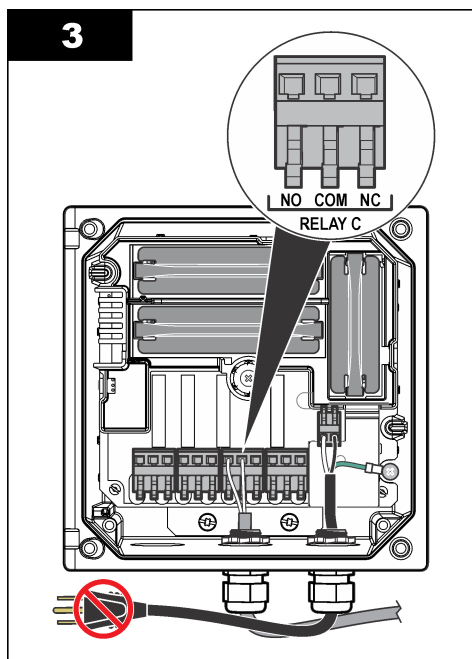
Реле контроллера с питанием 24 В пост. тока предназначены для подключения к схемам низкого напряжения (напр., напряжений ниже 30 В — действующего, 42,2 В — пикового, 60 В — постоянного тока). Отсек для кабелей не рассчитан на подключение к источникам более высокого напряжения.

Разъем реле допускает подключение провода диаметром 18-12 AWG (с сечением от 0,75 до 4 мм²) (что определяется используемой нагрузкой). Не рекомендуется использовать провод диаметром менее 18 AWG.

Нормально разомкнутые (NO) и общие (COM) контакты реле замыкаются при аварийном сигнале или ином соответствующем условии. Нормально замкнутые (NC) и общие контакты реле замкнуты, если аварийный сигнал или иное соответствующее условие отсутствуют (кроме случаев, когда включен (установлен на "Yes") режим безопасного выхода из строя) или когда выключено питание контроллера.

В большинстве случаев подключения реле используются либо клеммы NO и COM, либо клеммы NC и COM. На пронумерованных схемах показаны этапы подключения к клеммам NO и COM.





Подключение аналоговых выходов

▲ ПРЕДУПРЕЖДЕНИЕ



Опасность поражения электрическим током. При выполнении работ по электромонтажу всегда отключайте питание от прибора.

▲ ПРЕДУПРЕЖДЕНИЕ



Опасность поражения электрическим током. Для обеспечения защиты корпуса от воздействия окружающей среды по классу NEMA/IP для ввода кабелей в устройство рекомендуется использовать только разъемы и сальники кабелей класса не ниже NEMA 4X/IP66.

В устройстве имеются два изолированных аналоговых выхода (1 и 2), см. (Рисунок 8). Эти выходы обычно используются для передачи аналоговых сигналов или для управления другими внешними устройствами.

Подключите кабели к контроллеру, как показано на Рисунок 8 и в Таблица 3.

Примечание: На Рисунок 8 показана задняя сторона крышки контроллера, а не внутренние элементы основного отсека контроллера.

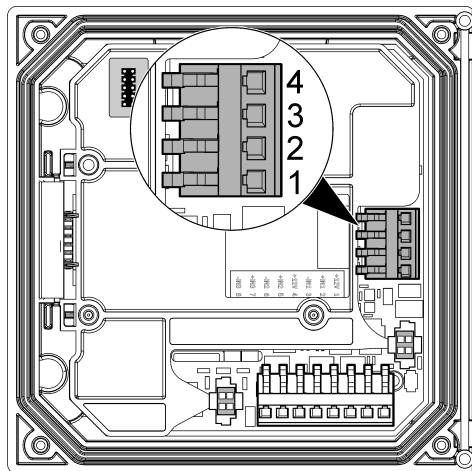
Таблица 3 Подключения выходов

Кабели устройства записи	Положение на монтажной плате
Выход 2–	4
Выход 2+	3
Выход 1–	2
Выход 1+	1

1. Откройте крышку контроллера.
2. Пропустите кабели через кабельную разгрузку.

3. Отрегулируйте положение кабелей и затяните кабельный фиксатор.
4. Выполните подключения при помощи экранированной витой пары и подключите экран со стороны управляемого элемента или со стороны контура управления.
 - Не подключайте экран с обоих концов кабеля.
 - При использовании неэкранированного кабеля может испускаться радиочастотное излучение или уровень восприимчивости может оказаться выше допустимого.
 - Максимальное сопротивление контура составляет 500 Ом.
5. Закройте крышку контроллера и затяните винты крышки.
6. Настройте выходы контроллера.

Рисунок 8 Подключение аналоговых выходов



Отдельные входные проводные соединения

▲ ПРЕДУПРЕЖДЕНИЕ



Опасность поражения электрическим током. При выполнении работ по электромонтажу всегда отключайте питание от прибора.

▲ ПРЕДУПРЕЖДЕНИЕ



Опасность поражения электрическим током. Для обеспечения защиты корпуса от воздействия окружающей среды по классу NEMA/IP для ввода кабелей в устройство рекомендуется использовать только разъемы и сальники кабелей класса не ниже NEMA 4X/IP66.

Предоставлены три отдельных входа для переключения замыкающих входов и входов напряжения логического уровня. Установите проводные соединения и настройте переключку, подключенную к контроллеру, как показано на рисунках [Рисунок 9](#), [Таблица 4](#) и [Рисунок 10](#).

Примечание: На [Рисунок 9](#) показана задняя сторона крышки контроллера, а не внутренние элементы основного отсека контроллера.

Рисунок 9 Отдельные входные проводные соединения

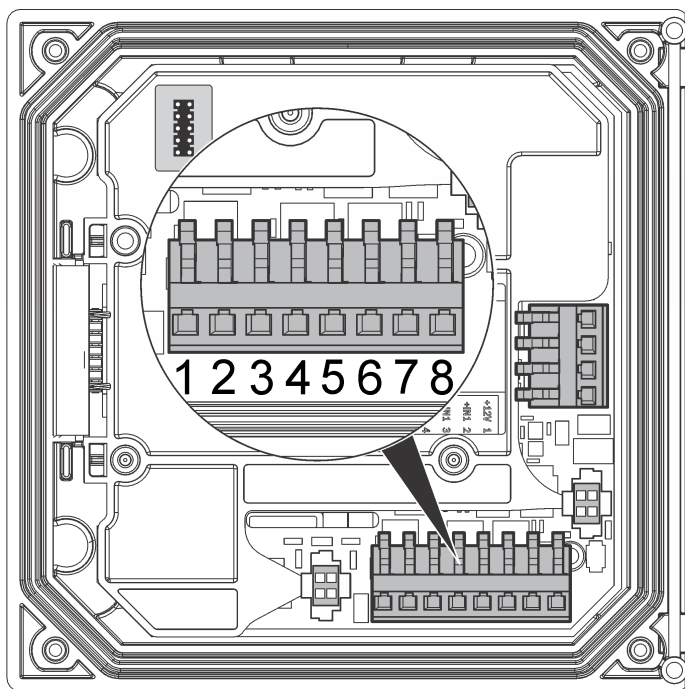
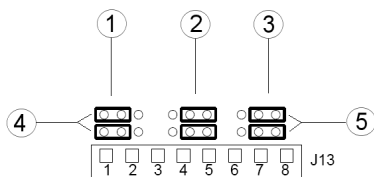


Таблица 4 Входные соединения

Отдельные входы	Положение разъема - вход переключателя	Положение разъема - вход напряжения
Вход 1+	3	2
Вход 1-	2	3
Вход 2+	6	5
Вход 2-	5	6
Вход 3+	8	7
Вход 3-	7	8

Рисунок 10 Настройки перемиčky



1	Конфигурационные перемиčky входа 1	4	Перемиčky, расположенные слева, для входов переключателей
2	Конфигурационные перемиčky входа 2	5	Перемиčky, расположенные справа, для входов напряжения
3	Конфигурационные перемиčky входа 3		

1. Откройте крышку контроллера.
2. Проденьте провода через кабельный сальник.
3. Отрегулируйте положение кабелей и затяните кабельный фиксатор.
4. Перемиčky расположены непосредственно за разъемом. Снимите разъем, чтобы облегчить доступ к перемичкам и настройте перемиčky в соответствии с типом входа, как показано на [Рисунок 10](#).
5. Закройте крышку контроллера и затяните винты крышки.
6. Настройте выходы контроллера.

Примечание: В режиме **входа переключателя** контроллер подает 12 вольт на переключатель и не изолируется от контроллера. В режиме **входа напряжения** входы изолируются от контроллера (входное напряжение пользователя от 0 до 30 вольт).

Подключение цифрового датчика sc

Примечание: Для подключения аналогового датчика обратитесь к инструкциям, приведенным в руководстве к модулю или датчику.

Цифровой датчик sc можно подключить к контроллеру при помощи разъема быстрого подключения со шпонкой ([Рисунок 11](#)). Цифровой датчик можно подключить к контроллеру, независимо от того, находится ли устройство под напряжением.

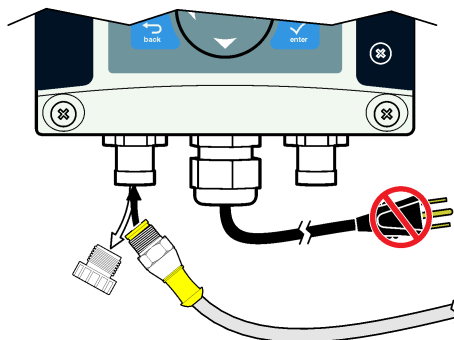
Если датчик подключается к контроллеру, находящемуся под напряжением, то контроллер не выполняет автоматический поиск устройства. Для выполнения поиска перейдите в меню "Проверка/Обслуживание" и выберите "Поиск устройств". При обнаружении нового устройства контроллер выполняет процесс его установки без вмешательства пользователя.

Если датчик подключается к выключенному контроллеру, то контроллер выполнит автоматический поиск устройства при следующем включении. При обнаружении нового устройства контроллер выполняет процесс его установки без вмешательства пользователя.

Сохраните защитный колпачок отверстия разъема на случай удаления датчика.

Рисунок 11 Разъем для быстрого подключения цифрового датчика

1.



Подключение опционального цифрового коммуникационного выхода

Производителем поддерживаются коммуникационные протоколы Modbus RS485, Modbus RS232, Profibus DPV1 и HART. Опциональный цифровой коммуникационный модуль устанавливается в месте, обозначенном цифрой 4 на [Рисунок 7](#) на стр. 437. Для получения более подробных сведений см. инструкцию к сетевому модулю.

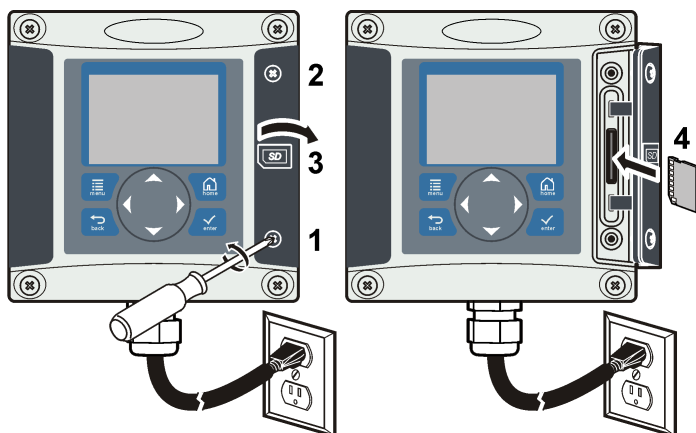
Подробнее о реестрах Modbus можно узнать на веб-сайте <http://www.hach-lange.com> или <http://www.hach.com> (следует выполнить поиск по *Реестры Modbus*), или перейдите на любую страницу по серии sc200.

Установка карты памяти Secure Digital (SD)

Указания по установке SD-карты в контроллер приведены на [Рисунок 12](#). Информацию об использовании карты памяти SD см. в расширенной версии настоящего руководства.

Для удаления SD-карты нажмите на край карты и отпустите его, затем вытащите карту из гнезда. После удаления карты закройте гнездо карты и затяните винты крышки.

Рисунок 12 Установка SD-карты

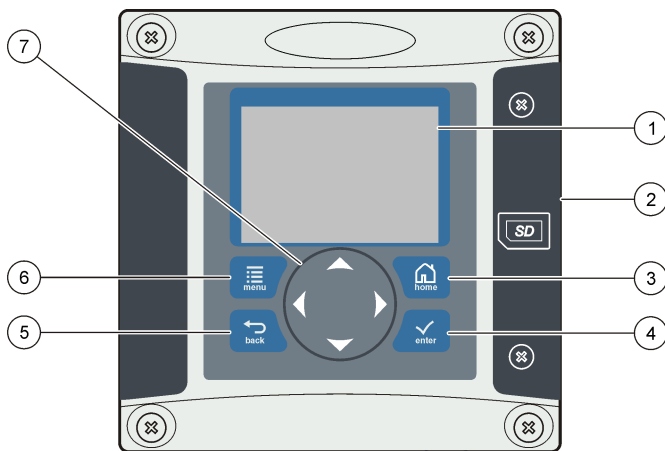


Пользовательский интерфейс и навигация

Пользовательский интерфейс

На клавиатуре имеется четыре клавиши меню и четыре клавиши направлений, как показано на [Рисунок 13](#).

Рисунок 13 Обзор клавиатуры и передней панели



1 Дисплей прибора	5 Клавиша BACK (Назад). Для перехода на один уровень назад в структуре меню.
2 Крышка гнезда SD-карты памяти	6 Клавиша MENU (Меню). Для перехода к меню настроек из других экранов и подменю.
3 Клавиша HOME (Начальный экран). Для перехода на начальный экран измерений с других экранов и из подменю.	7 Клавиши направлений. Для перехода по меню, изменения настроек, увеличения и уменьшения числовых значений.
4 Клавиша ENTER (Ввод). Для подтверждения входных данных, обновлений и выведенных опций меню.	

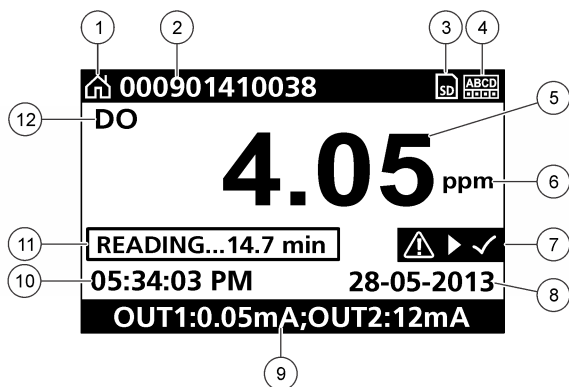
Входы и выходы задаются и настраиваются с передней панели при помощи клавиатуры и экрана дисплея. Пользовательский интерфейс используется для задания и настройки входов и выходов, создания данных журнала, расчета значений и калибровки датчиков. Интерфейс SD можно использовать для записи данных журнала и обновления программного обеспечения.

Экран

На [Рисунок 14](#) приведен пример главного экрана измерений для случая подключенного к контроллеру цифрового датчика.

На передней панели дисплея выводятся данные измерений датчика, параметры калибровки и настройки, сообщения об ошибках, предупреждения и другие данные.

Рисунок 14 Пример главного экрана измерений



1 Значок начального экрана	7 Строка состояния предупреждения
2 Наименование датчика	8 Дата
3 Значок карты памяти SD	9 Значения аналоговых выводов
4 Индикатор состояния реле	10 Время
5 Результат измерения	11 Индикатор выполнения
6 Единица измерения	12 Параметр измерения

Таблица 5 Описания значков

Значок	Описание
Начальный экран	Значок может меняться в зависимости от отображаемого меню. Например, если установлена SD-карта, то выводится значок SD-карты при входе пользователя в меню "Настройка SD-карты".
Карта памяти SD	Значок появляется, только если SD-карта установлена в гнездо устройства чтения. Если пользователь находится в меню "Настройка SD-карты", этот значок появляется в верхнем левом углу.
Предупреждение	Значок предупреждения представляет собой восклицательный знак в треугольнике. Значки предупреждения появляются справа от основного дисплея под значением измерения. Нажмите клавишу ENTER (Ввод), затем выберите устройство, чтобы посмотреть, какие проблемы связаны с этим устройством. Значок предупреждения больше не будет отображаться, как только все проблемы будут решены или подтверждены.
Ошибка	Значок ошибки представляет собой восклицательный знак в круге. При возникновении ошибки значок ошибки и экран измерения на главном дисплее мигают поочередно. Для просмотра ошибок нажмите клавишу MENU (Меню) и выберите Diagnostics (Диагностика). Затем выберите устройство, чтобы посмотреть все проблемы, связанные с этим устройством.

Дополнительные форматы отображения

- Main Measurement (Основные измерения) нажимайте клавиши со стрелками **ВВЕРХ** и **ВНИЗ** для переключения между параметрами измерений
- На экране Main Measurement (Основные измерения) нажмите клавишу со стрелкой **ВПРАВО**, чтобы переключиться к разделенному дисплею, который содержит до 4 параметров измерения. Нажмите кнопку со стрелкой **ВПРАВО**, чтобы включить дополнительные измерения. При необходимости нажмите кнопку со стрелкой **ВЛЕВО**, чтобы вернуться к экрану Main Measurement (Основные измерения)

- На экране Main Measurement (Основные измерения) нажмите кнопку со стрелкой **ВЛЕВО**, чтобы переключиться к графическому дисплею (см. [Графическое отображение](#) на стр. 449, чтобы определить параметры). Нажимайте кнопки со стрелками **ВВЕРХ** и **ВНИЗ**, чтобы переключать графики измерений

Графическое отображение

График показывает измерения концентрации и температуры для каждого используемого канала. График обеспечивает легкость наблюдения за тенденциями и отображает изменения в процессе.

1. На экране графического дисплея выберите график с помощью клавиш со стрелками вверх и вниз и нажмите кнопку **HOME** (Главная).
2. Выберите вариант:

Опция	Описание
РЕЗУЛЬТАТ ИЗМЕРЕНИЯ	Укажите значение измерения для выбранного канала. Выберите между автомасштабированием и ручным масштабированием. При выборе ручной шкалы введите минимальное и максимальное значение измерений
DATE & TIME RANGE (ДИАПАЗОН ДАТ И ВРЕМЕНИ)	Выберите диапазон дат и времени из предложенных вариантов

Запуск системы

При первом запуске последовательно выводятся экраны "Выбор языка", "Формат даты" и "Дата/Время". После установки этих опций контроллер выполняет поиск устройств и выводит сообщение **Поиск устройств. Подождите...** Если обнаружено новое устройство, контроллер выполняет процедуру его установки перед выводом главного экрана измерений.

Если при поиске обнаружены ранее установленные устройства без изменений в конфигурации, то сразу после завершения поиска выводится основной экран измерения для устройства в положении 1.

Если устройство удалено из контроллера или не обнаружено при следующем поиске, вызванном из меню или выключением-включением питания, то контроллер выводит сообщение **Устройство отсутс.** и предлагает удалить отсутствующее устройство.

Если к установленному аналоговому модулю не подключен датчик, то контроллер выводит сообщение об ошибке. Если устройства подключены, но не обнаружены, обратитесь к разделу [Поиск и устранение проблем](#) на стр. 451.

Первая установка языка, даты и времени

Окна установки языка, даты и времени выводятся на контроллере при первом включении, а также при включении питания после сброса настроек к значениям по умолчанию. После первой установки языка, даты и времени следует при необходимости обновить опции в меню настройки sc200.

1. На экране "Выбор языка" выберите язык в списке опций и нажмите клавишу **ВВОД**. По умолчанию в контроллере установлен английский язык. Выбранный язык сохраняется. Выводится экран "Формат даты".
2. На экране формата даты выберите формат и нажмите клавишу **ВВОД**. Формат даты и времени будет сохранен. Затем выводится экран "Дата/Время".
3. На экране "Дата/Время" нажатием клавиш стрелок **ВПРАВО** и **ВЛЕВО** выделите поле, затем нажатием клавиш **ВВЕРХ** и **ВНИЗ** установите значение в поле. Обновите при необходимости значения в других полях.
4. Нажмите клавишу **ВВОД**. Изменения будут сохранены, и контроллер выполнит начальный поиск устройств. При обнаружении подключенного устройства на контроллере выводится основной экран

измерения для устройства в положении 1. Если контроллер не смог обнаружить подключенные устройства, обратитесь к разделу [Поиск и устранение проблем](#) на стр. 451.

Сведения о настройке контроллера

В таблице приведены общие сведения возможных настройках.

1. Для перемещения по опциям меню выберите в меню настроек пункт "Настройка sc200".

Опция	Наименование
Настройки безопасности	Задаёт настройки парольной защиты.
Настройка выхода	Настраивает аналоговые выходы контроллера
Настройка реле	Настраивает реле контроллера
Настройка дисплея	Настраивает дисплей контроллера
Установка даты/времени	Устанавливает дату и время в контроллере
Настройки регистрации данных	Выполняет настройки регистрации данных. Доступно только в том случае, если был настроен режим "Расчет".
Управление данными	Чтобы посмотреть данные или журнал событий, выберите устройство из списка установленных компонентов
Режим удержания ошибки	Удержание выходов —На выходах удерживается последнее значение, известное к моменту потери контроллером связи с датчиком. Передача выходов —Переключение в режим передачи, когда контроллер теряет связь с датчиком. Выход переводится на предустановленное значение.
Calculation (Вычисление)	Настраивает математическую функцию контроллера
Информация об sc200	ВЕРСИЯ ПО: —Выводится текущая версия программного обеспечения контроллера ВЕРСИЯ ЗАГРУЗЧИКА: —Выводится текущая версия загрузчика. Загрузчик представляет собой файл, загружающий основную операционную систему контроллера С/Н: —Выводится серийный номер контроллера Версия: —Отображает текущую версию оборудования контроллера
Discrete Input Setup (Настройка дискретного ввода данных)	Настраивает три отдельных входных канала
Язык	Задаёт язык, используемый контроллером

2. Выберите опцию и нажмите **ВВОД** для активации элемента меню.

Обслуживание

▲ ОСТОРОЖНО



Различные опасности. Работы, описываемые в данном разделе, должны выполняться только квалифицированным персоналом.

Очистка контроллера

▲ ОПАСНОСТЬ



Всегда отключайте прибор от сети перед выполнением технического обслуживания.

Примечание: *Никогда не используйте для очистки контроллера легковоспламеняющиеся или коррозионно активные растворители. Использование таких растворителей может ухудшить защитные свойства прибора к воздействию окружающей среды и может послужить причиной аннулирования гарантии.*

1. Убедитесь, что крышка контроллера надежно закрыта.
2. Протрите внешние поверхности контроллера салфеткой, смоченной в чистой воде или с мягкодействующим моющим средством.

Поиск и устранение проблем

Неполадка	Решение
Отсутствует ток на выходе	Проверьте настройку тока на выходе.
	Проверьте выходной сигнал тока при помощи подменю "Проверка/Обслуживание". Введите значение тока и проверьте выходной сигнал тока на разъемах контроллера.
	Обратитесь в службу технической поддержки.
Неправильная величина тока на выходе	Проверьте настройку тока на выходе.
	Проверьте выходной сигнал тока при помощи подменю "Проверка/Обслуживание". Введите значение тока и проверьте выходной сигнал тока на разъемах контроллера. В случае неправильной величины на выходе выполните калибровку выхода.
Реле не срабатывает	Убедитесь в надежности подключения реле.
	В случае использования внешнего источника питания убедитесь в правильности подключения кабеля реле.
	Убедитесь в правильности настройки реле.
	Проверьте срабатывание реле при помощи меню "Проверка/Обслуживание". Реле должно включаться и выключаться в зависимости от команды.
	Убедитесь, что контроллер не находится в режиме калибровки и реле не заблокировано.
Сбросьте таймер-ограничитель, чтобы убедиться, что он не достиг предельного значения.	

Неполадка	Решение
Карта памяти Secure Digital (SD) не распознается контроллером	Убедитесь в правильности положения SD-карты. Медные контакты карты должны быть обращены в сторону дисплея контроллера.
	Убедитесь, что SD-карта полностью вошла в гнездо и сработала пружинная защелка.
	Убедитесь, что SD-карта правильно отформатирована в формате Fat32. Формат MMC не поддерживается. Следуйте инструкциям производителя карты при форматировании SD-карты на компьютере.
	Убедитесь, что объем карты не превышает 32 Гб.
	Убедитесь, что используется карта типа SD. Карты других типов (например, xSD, micro SD, mini SD) не будут работать правильно.
Информация на SD-карте не сохраняется или сохраняется неправильно.	Убедитесь, что SD-карта правильно отформатирована в формате Fat 32. Формат MMC не поддерживается. Следуйте инструкциям производителя карты при форматировании SD-карты на компьютере.
	Если SD-карта ранее использовалась, отформатируйте ее в формате Fat32, установите в контроллер и попробуйте загрузить файлы.
	Попробуйте заменить SD-карту.
SD-карта заполнена	Просмотрите содержимое SD-карты на ПК или при помощи любого другого устройства с карт-ридером. Сохраните необходимые файлы и удалите некоторые или все файлы с SD-карты.
Контроллер не находит на SD-карте обновлений программ.	Убедитесь, что при установке SD-карты в контроллер была создана соответствующая папка. Папка для обновлений будет создана автоматически.
	Установите SD-карту в компьютер и убедитесь, что файлы программ помещены в соответствующую папку обновлений.
	При использовании одной SD-карты с несколькими контроллерами каждому контроллеру должна быть отведена отдельная папка в системе. Убедитесь, что обновления программы находятся в папке, предназначенной для данного контроллера.
Дисплей включен, но не отображает символов, либо символы нечеткие или расплывчатые.	Настройте контрастность дисплея
	Убедитесь, что с дисплея снята защитная пленка.
	Очистите внешнюю часть контроллера, в том числе экран дисплея.
Контроллер не включается или включается с перерывами	Убедитесь в правильном подключении питания переменного тока к контроллеру.
	Проверьте подключение удлинителя, линии питания и штепсельной вилки.
	Обратитесь в службу технической поддержки

Неполадка	Решение
<p>Модуль сети или датчика не распознается</p>	Убедитесь в правильности установки модуля.
	Убедитесь, что переключатель выбора модуля установлен на соответствующий номер.
	Извлеките модуль датчика и установите его в другое аналоговое гнездо. Включите питание контроллера и подождите, пока он выполнит поиск устройств.
	Обратитесь в службу технической поддержки.
<p>Датчик не распознается</p> <p><i>Примечание: Пример возможного сообщения на дисплее: ****</i></p>	Если датчик является аналоговым, и в устройстве установлен соответствующий модуль, следуйте инструкциям к сетевому модулю или модулю датчика.
	Убедитесь, что кабели цифрового разъема закреплены на внутренней стороне блока дверцы и не повреждены.
	Если цифровой датчик подключен к контроллеру посредством блока цифровых разъемов, распределительной коробки, установленной пользователем, цифровых кабельных удлинителей или кабельных удлинителей пользователя, подключите датчик непосредственно к контроллеру и выполните поиск устройств. Если контроллер распознает датчик, проверьте правильность соединений в распределительных коробках и удлинителях.
	Убедитесь, что в контроллере установлены только два датчика. Несмотря на наличие двух портов аналоговых модулей, при установке цифрового датчика и двух аналоговых модулей только два устройства из трех будут обнаружены контроллером.
	Обратитесь в службу технической поддержки
<p>Появляется сообщение об ошибке "Устройство отсутс."</p>	Выполните команду "Поиск устройств" в меню "Проверка/Обслуживание".
	Выключите и включите контроллер

İçindekiler

Teknik Özellikler sayfa 454

Sistemini başlatılması sayfa 474

Genel Bilgiler sayfa 455

Bakım sayfa 475

Kurulum sayfa 458

Sorun giderme sayfa 476

Kullanıcı arayüzü ve gezinme sayfa 472

Ek bilgi

Ek bilgiye üreticinin web sitesinden ulaşılabilir.

Teknik Özellikler

Teknik özellikler, önceden bildirilmeksizin değiştirilebilir.

Teknik Özellikler	Ayrıntılar
Bileşenin tanımı	Sensörü işleten ve ölçülen değerleri görüntüleyen mikroişlemci-kumandalı ve menü-güdümlü kontrol ünitesi.
Çalışma sıcaklığı	-20 - 60 °C (-4 - 140 °F); %95 bağıl nem, <7 W sensör yükü ile yoğunlaşmasız; -20 - 50 °C (-4 - 104 °F) <28 W sensör yükü ile
Saklama sıcaklığı	-20 - 70 °C (-4 - 158 °F); %95 bağıl nem, yoğunlaşmasız
Kutu ¹	Paslanmaz kaplamalı NEMA 4X/IP66 metal kutu
Güç gereksinimleri	AC beslemeli kontrol ünitesi: 100-240 VAC %±10, 50/60 Hz; 7 W sensörlü/ağ modülü yüklü 50 VA güç, 28 W sensörlü/ağ modülü yüklü 100 VA güç (isteğe bağlı Modbus RS232/RS485, Profibus DPV1 veya HART ağ bağlantısı). 24 VDC beslemeli kontrol ünitesi: 24 VDC—%15, + %20; 7 W sensörlü/ağ modülü yüklü 15 W güç, 28 W sensörlü/ağ modülü yüklü 40 W güç (isteğe bağlı Modbus RS232/RS485, Profibus DPV1 veya HART ağ bağlantısı).
İrtifa gereksinimleri	Standart 2000 m (6562 ft) ASL (Deniz Seviyesi Üzerinde)
Kirlilik derecesi/Kurulum kategorisi	Kirlenme Derecesi 2; Montaj Kategorisi II
Çıkışlar	İki analog (0-20 mA ya da 4-20 mA) çıkışı. Her bir analog çıkış, pH, sıcaklık, akış veya hesaplanan değer gibi ölçülen bir parametreyi temsil edecek şekilde belirlenebilir. İsteğe bağlı modül, üç ek analog çıkışı sağlar (toplam 5).
Röleler	Dört SPDT, kullanıcı tarafından yapılandırılan temaslar, AC ile çalışan kontrol ünitesi için 250 VAC, 5 Amp maksimum direnç ve DC ile çalışan kontrol ünitesi için 24 VDC, 5A maksimum direnç değeri. Röleler AC Ana şebekesine (örn., kontrol cihazı 115 - 240 VAC besleme ile çalıştırıldığında) ya da DC devresine (örn., kontrol cihazı 24 VDC besleme ile çalıştırıldığında) bağlanmak üzere tasarlanmıştır.
Boyutlar	½ DIN—144 x 144 x 180,9 mm (5,7 x 5,7 x 7,12 inç.)
Ağırlık	1,7 kg (3,75 lb)
Uyumluluk bilgisi ²	CE onaylı (tüm sensör türleri ile birlikte). Genel alanlarda kullanılmak üzere ETL tarafından UL ve CSA güvenlik standartlarına (tüm sensör tipleri ile birlikte) tabidir. AC şebekesinden beslenen kimi modeller UL ve CSA güvenlik standartlarına göre genel güvenlik alanlarında kullanılmak üzere Underwriters Laboratories tarafından belirlenmiştir (tüm sensör türleriyle).
Dijital iletişim	Veri aktarımı için isteğe bağlı Modbus RS232/RS485, Profibus DPV1 veya HART ağ bağlantısı

Teknik Özellikler	Ayrıntılar
Verilerin kütüğe kaydedilmesi	Veri kaydetme ve yazılım güncellemeleri gerçekleştirme için Secure Digital Card (maksimum 32 GB) veya özel RS232 kablo konektörü. Kontrol ünitesi, sensör başına yaklaşık 20.000 veri noktası tutar.
Garanti	2 yıl

- 1 Underwriters Laboratories (UL) onaylı üniteler sadece kapalı alanda kullanım içindir; bu ürünlerin NEMA 4X/IP66 koruması yoktur.
- 2 DC ile çalışan birimler UL tarafından belirtilmemiştir.

Genel Bilgiler

Hiçbir durumda üretici, bu kılavuzdaki herhangi bir hata ya da eksiklikten kaynaklanan doğrudan, dolaylı, özel, tesadüfi ya da sonuçta meydana gelen hasarlardan sorumlu olmayacaktır. Üretici, bu kılavuzda ve açıkladığı ürünlerde, önceden haber vermeden ya da herhangi bir zorunluluğa sahip olmadan değişiklik yapma hakkını saklı tutmaktadır. Güncellenmiş basımlara, üreticinin web sitesinden ulaşılabilir.

Güvenlik bilgileri

BİLGİ

Üretici, doğrudan, arıza ve sonuç olarak ortaya çıkan zararlar dahil olacak ancak bunlarla sınırlı olmayacak şekilde bu ürünün hatalı uygulanması veya kullanılmasından kaynaklanan hiçbir zarardan sorumlu değildir ve yürürlükteki yasaların izin verdiği ölçüde bu tür zararları reddeder. Kritik uygulama risklerini tanımlamak ve olası bir cihaz arızasında prosesleri koruyabilmek için uygun mekanizmaların bulunmasını sağlamak yalnızca kullanıcının sorumluluğundadır.

Bu cihazı paketinden çıkarmadan, kurmadan veya çalıştırmadan önce lütfen bu kılavuzun tümünü okuyun. Tehlikeler ve uyarılarla ilgili tüm ifadeleri dikkate alın. Aksi halde, kullanıcının ciddi şekilde yaralanması ya da ekipmanın hasar görmesi söz konusu olabilir.

Bu cihazın korumasının bozulmadığından emin olun. Cihazı bu kılavuzda belirtilenden başka bir şekilde kullanmayın veya kurmayın.

Tehlikeyle ilgili bilgilerin kullanılması

▲ TEHLİKE

Olması muhtemel veya yakın bir zamanda olmasından korkulan, engellenmediği takdirde ölüm veya ciddi yaralanmaya neden olacak tehlikeli bir durumu belirtir.

▲ UYARI

Önlenmemesi durumunda ciddi yaralanmalar veya ölümlerle sonuçlanabilecek potansiyel veya yakın bir zamanda meydana gelmesi beklenen tehlikeli durumların mevcut olduğunu gösterir.

▲ DİKKAT





Daha küçük veya orta derecede yaralanmalarla sonuçlanabilecek potansiyel bir tehlikeli durumu gösterir.

BİLGİ

Engellenmediği takdirde cihazda hasara neden olabilecek bir durumu belirtir. Özel olarak vurgulanması gereken bilgiler.

Önlem etiketleri

Cihazın üzerindeki tüm etiketleri okuyun. Talimatlara uyulmadığı takdirde yaralanma ya da cihazda hasar meydana gelebilir. Cihaz üzerindeki bir simge, kılavuzda uyarı ibaresiyle belirtilir.

	Bu simge, cihazın üzerinde belirtildiği takdirde, çalışma ve/veya güvenlik bilgileri için kullanım kılavuzuna referansta bulunur.
	Bu sembol, elektrik çarpması ve/veya elektrik çarpması sonucu ölüm riskinin bulunduğunu gösterir.
	Bu simge Elektrostatik Boşalma'ya (ESD-Electro-static Discharge) duyarlı cihaz bulunduğunu ve ekipmana zarar gelmemesi için dikkatli olunması gerektiğini belirtir.
	Bu simgeyi taşıyan elektrikli cihazlar, 12 Ağustos 2005 tarihinden sonra Avrupa evsel atık toplama sistemlerine atılamaz. Avrupa'daki yerel ve ulusal yönetmeliklere (2002/96/EC sayılı AB Direktifi) göre Avrupa'daki elektrikli cihaz kullanıcıları, eski veya kullanım süresi dolmuş cihazları bertaraf edilmesi için herhangi bir ücret ödemededen üreticiye göndermelidir.

Belgelendirme

Kanada Radyo Girişimine Neden Olan Cihaz Yönetmeliği, IECS-003, A Sınıfı:

Destekleyen test kayıtları, üreticide bulunmaktadır.

Bu A Sınıfı dijital cihaz, Kanada Girişime Neden Olan Cihaz Yönetmeliğinin tüm şartlarını karşılamaktadır.

Cet appareil numérique de classe A répond à toutes les exigences de la réglementation canadienne sur les équipements provoquant des interférences.

FCC PART 15, "A" Sınıfı Limitleri

Destekleyen test kayıtları, üreticide bulunmaktadır. Bu cihaz, FCC Kurallarının Bölüm 15'ine uygundur. Çalıştırma için aşağıdaki koşullar için geçerlidir:

1. Cihaz, zararlı girişime neden olmaz.
2. Bu cihaz, istenmeyen işleyişe yol açabilecek parazit de dahil olmak üzere, alınan her türlü paraziti kabul edecektir.

Bu cihaz üzerinde, uyumluluktan sorumlu tarafın açıkça onaylamadığı her türlü değişiklik, kullanıcının cihazı çalışma yetkisini geçersiz kılacaktır. Bu cihaz, test edilmiş ve FCC kuralları, Bölüm 15 uyarınca A Sınıfı bir dijital cihaz limitlerini karşıladığı tespit edilmiştir. Bu limitler, ekipmanın bir işyeri ortamında çalıştırılması durumunda zararlı parazitlere karşı uygun koruma sağlayacak şekilde tasarlanmıştır. Bu cihaz, telsiz frekansı enerjisi üretir, kullanır ve yayabilir ve kullanım kılavuzuna uygun olarak kurulmazsa ve kullanılmazsa telsiz iletişimlerine zararlı parazitlere neden olabilir. Bu cihazın bir konut alanında kullanılması zararlı parazitlere neden olabilir. Böyle bir durumda kullanıcının masrafları kendisine ait olmak üzere bu parazitleri düzeltmesi gerekecektir. Parazit sorunlarını azaltmak için aşağıdaki teknikler kullanılabilir:

1. Parazitin kaynağı olup olmadığını öğrenmek için bu ekipmanın güç kaynağı bağlantısını kesin.
2. Eğer cihaz, parazit sorunu yaşayan cihazla aynı prize bağlıysa, cihazı farklı bir prize takın.
3. Cihazı parazit alan cihazdan uzaklaştırın.
4. Cihazın parazite neden olduğu cihazın alıcı antenini başka bir yere taşıyın.
5. Yukarıda sıralanan önlemleri birlikte uygulamayı deneyin.

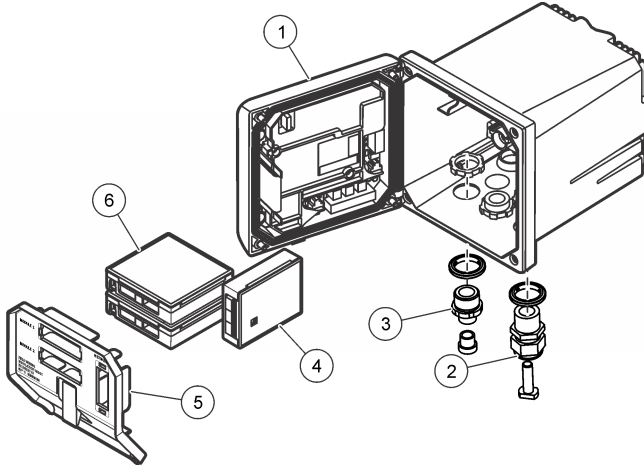
Ürüne genel bakış

Kontrol ünitesi sensör ölçümlerini ve diğer verileri görüntüler, analog ve dijital sinyalleri aktarır ve çıkışlar ve röleler aracılığıyla diğer cihazlarla etkileşime geçebilir ve onları kumanda edebilir. Çıkışlar,

röleler, sensörler ve sensör modülleri kontrol ünitesinin ön kısmında bulunan kullanıcı arabirimi aracılığıyla yapılandırılırlar.

Şekil 1 ürün bileşenlerini gösterir. Kontrol ünitesi yapılandırma ayarlarına bağlı olarak bileşenler farklılık gösterebilir. Parçalar hasar gördülse ya da eksik varsa üretici ile iletişime geçin.

Şekil 1 Sistem bileşenleri



1 Kontrolör	4 Ağ modülü (isteğe bağlı)
2 Gerilim azaltma düzeneği (kontrol ünitesi sürümüne bağlı olarak isteğe bağlıdır)	5 Yüksek gerilim bariyeri
3 Dijital bağlantı parçası (kontrol ünitesi sürümüne bağlı olarak isteğe bağlıdır)	6 Sensör modülleri (isteğe bağlı)

Sensörler ve sensör modülleri

Kontrol ünitesi bir iletişim modülü ile birlikte maksimum iki sensör modülüne ya da iki dijital sensöre kadar kabul eder (kontrol ünitesi yapılandırma ayarlarına bağlı olarak değişiklik gösterebilir). Kombinasyonlara tekli dijital sensör ve tekli sensör modülü takılabilir. Sensör modüllerine çeşitli sensörler bağlanabilir. Sensör kablo bağlantı bilgisi spesifik sensör kılavuzlarında ve spesifik modüllere ait kullanıcı kılavuzlarında verilmiştir.

Röleler, çıkışlar ve sinyaller

Kontrol ünitesi dört yapılandırılabilir röle anahtarına ve iki analog çıkışa sahiptir. İsteğe bağlı bir analog çıkış modülü ile analog çıkış sayısı beş adede artırılabilir.

Cihaz taramaları

İki istisna haricinde kontrol ünitesi açıldığında, kullanıcı girdisine ihtiyaç duymadan bağlı cihazları otomatik olarak tarama. İlk istisna, kontrol ünitesinin ilk kullanımdan önce ilk kez açılmasıdır. İkinci istisna kontrol ünitesi yapılandırma ayarları varsayılan değerlerine ayarlandıktan sonraki ve kontrol ünitesi açıldığında andır. Her iki durumda da kontrol ünitesi öncelikle dili, tarihi, ve saat düzenleme ekranlarını görüntüler. Dil, tarih ve zaman girişleri kabul edildikten sonra, kontrol cihazı bir cihaz taraması gerçekleştirir. Kontrol ünitesi zaten açık olduğunda cihaz taraması yapmaya yönelik talimatlar için bkz. [Bir dijital sc sensörünün bağlanması](#) sayfa 471

Kontrol ünitesi yuvası

Kontrol ünitesi yuvası NEMA 4X/IP66 korumasına sahip olup, tuzlu sprey ve hidrojen sülfid gibi paslanmaya yol açan çevresel bileşenlere karşı dayanıklılık göstermesi amacıyla paslanmaz kaplama ile donatılmıştır. Açık alanlarda kullanım sırasında çevresel zararlara karşı koruma uygulanması şiddetle tavsiye edilir.

Not: Underwriters Laboratories (UL) onaylı üniteler sadece kapalı alanda kullanım içindir; bu ürünlerin NEMA 4X/IP66 koruması yoktur.

Kontrol ünitesi montaj seçenekleri

Kontrol ünitesi bir panele, duvara ya da dikey veya yatay bir boruya monte edilebilir. Neopren sızdırmazlık contası tedarik edilmiş olup titreşimin azaltılması için kullanılabilir. Bu conta, iç conta bileşeni ayrılmadan önce panel montajı için şablon olarak kullanılabilir.

Kurulum

Montaj parçaları ve boyutlar

⚠ DİKKAT

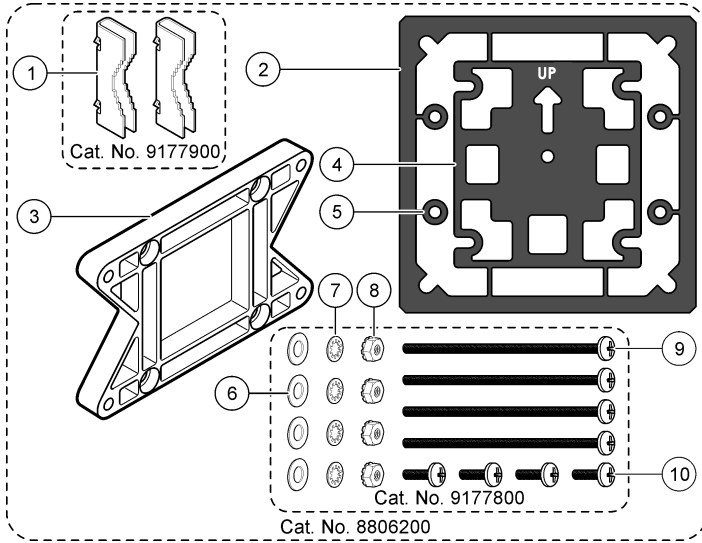
Kişisel yaralanma tehlikesi. Kullanım kılavuzunun bu bölümünde açıklanan görevler yalnızca yetkili personel tarafından gerçekleştirilmelidir.

kontrol cihazı; bir yüzey, panel veya boruya monte edilebilir (yatay veya dikey). Montaj seçenekleri ve talimatları için [Şekil 2](#), [Şekil 3](#) sayfa 459, [Şekil 4](#) sayfa 460, [Şekil 5](#) sayfa 461 ve [Şekil 6](#) sayfa 462'ya başvurun.

Yatay boru montajı için montaj ayağı ([Şekil 2](#)) montaj desteğine dikey konumda takılmış olmalıdır.

Hem yatay hem de dikey boru montajı için montaj desteğini kontrol ünitesine [Şekil 5](#) sayfa 461'da gösterildiği gibi takın.

Şekil 2 Montaj parçaları

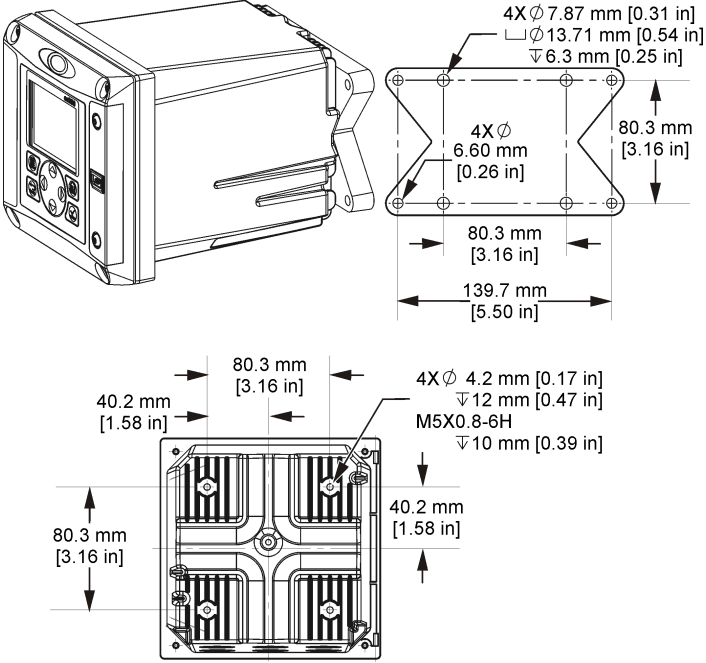


1 Montaj ayağı (2x)	6 Düz rondela, 1/4 inç (4x)
2 Panel montajı için sızdırmazlık contası, Neofren	7 Kilit rondela, 1/4 inç (4x)
3 Duvar ve boru montajı için destek	8 M5 x 0,8 Keps altıgen somun (4x)
4 Boru montajı için titreşim yalıtım contası	9 Saç vidaları, M5 x 0,8 x 100mm (4x) (Çeşitli çaplarda boru montajı için kullanılır)
5 Boru montajı için titreşim yalıtım rondelası (4x)	10 Saç vidaları, M5 x 0,8 x 15 mm (4x)

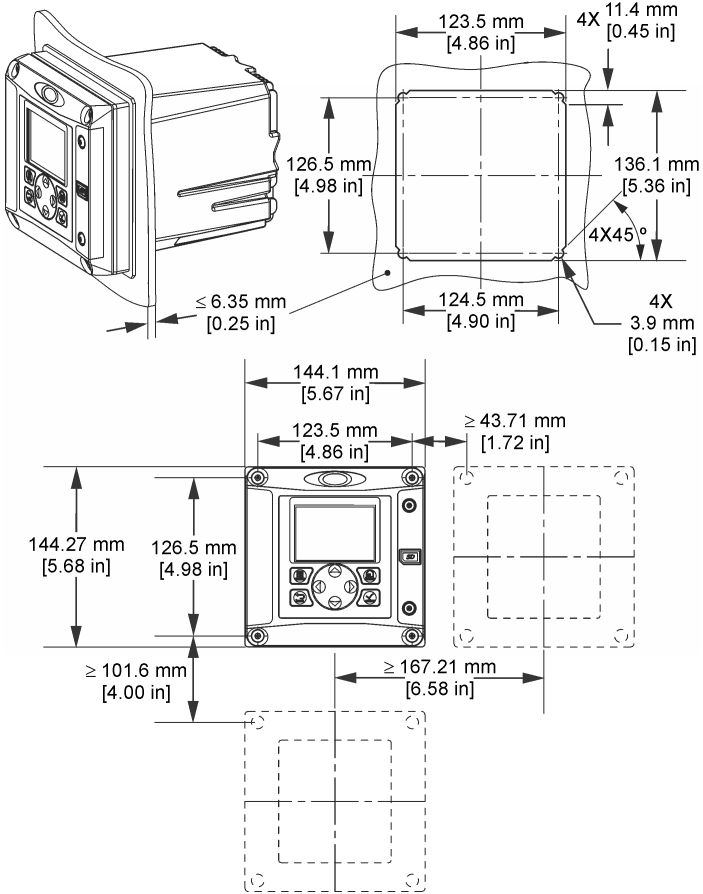
Not: Panel montajı için kullanılan braket opsiyonel bir aksesuardır.

Kontrol ünitesi montajı

Şekil 3 Yüzey montaj boyutları

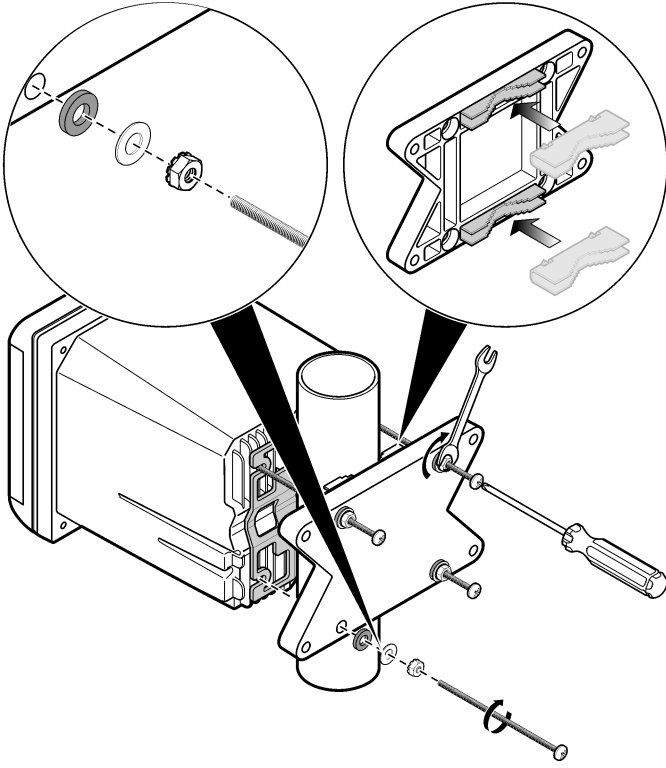


Şekil 4 Panel montaj boyutları

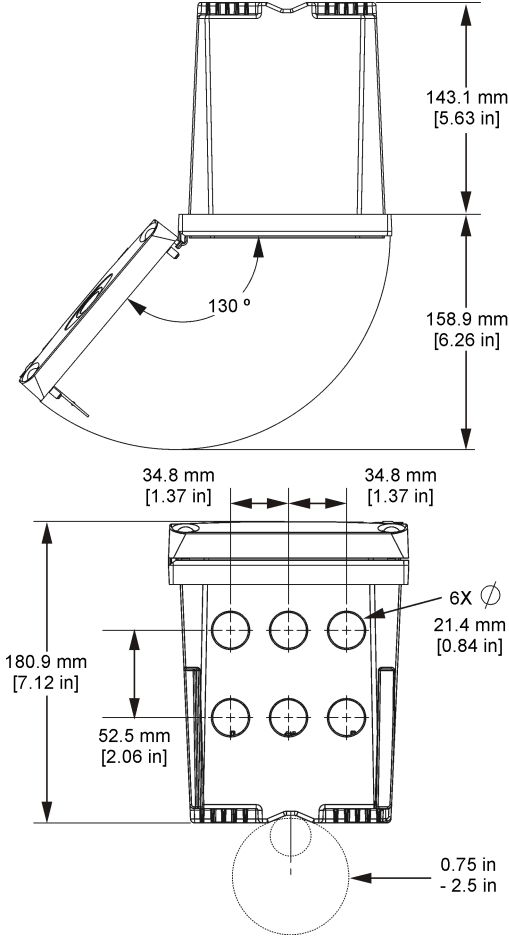


Not: Panel montajı için braket (opsiyonel) kullanılıyorsa kontrol ünitesini paneldeki boşluğa doğru itin ve panelin arka kısmındaki braketi kontrol ünitesinin üzerine doğru kaydırın. Braketi kontrol ünitesine iliştiirmek ve kontrol ünitesini panele sabitlemek için dört adet 15 mm'lik saç vida (birlikte verilir) kullanın.

Şekil 5 Boruya montaj (dikey boru)



Şekil 6 Üstten ve alttan görüntü



Yüksek gerilim bariyeri

Kontrol ünitesi yüksek gerilim kablo bağlantısı, kontrol ünitesi yuvasındaki yüksek gerilim bariyerinin arkasında bulunur. Engel, modüllerin takılması ya da uzman bir montaj teknisyeni tarafından elektrik, alarm, çıkış ya da röle için kablolama yapılması durumu dışında yerinde olmalıdır. Kontrol ünitesi elektrik verilirken bariyeri çıkarmayın.

Elektrostatik boşalma (ESD) ile ilgili önemli bilgiler

BİLGİ



Potansiyel Cihaz Hasarı. Hassas dahili elektronik parçalar statik elektrikten zarar görebilir ve bu durum cihaz performansının düşmesine ya da cihazın arızalanmasına neden olabilir.

Cihazda ESD hasarını önlemek için bu prosedürdeki adımlara başvurun:

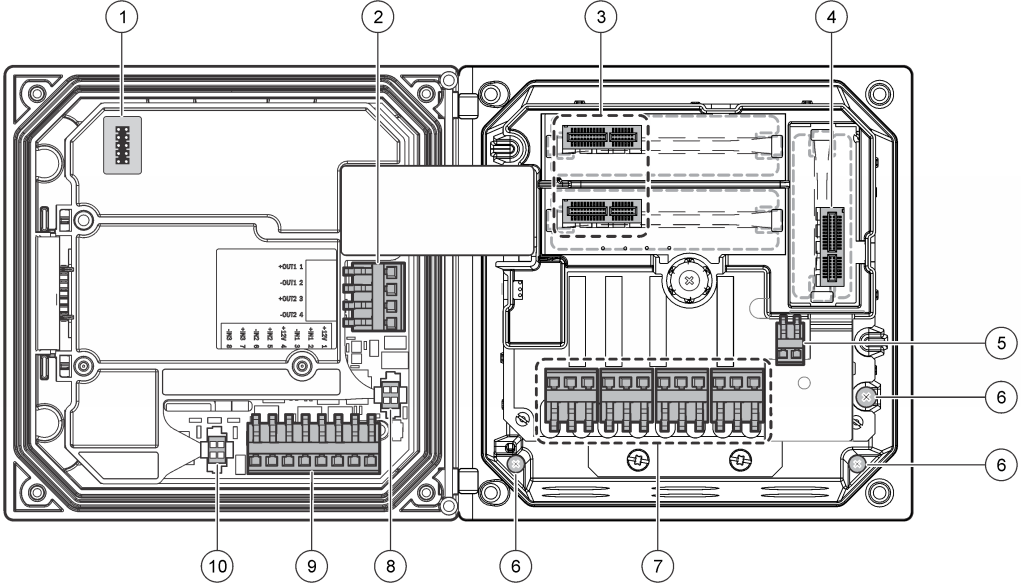
- Statik elektriği gövdeden boşaltmak için bir cihazın şasisi, metal bir iletim kanalı ya da boru gibi topraklanmış bir metal yüzeye dokununuz.

- Aşırı hareketten sakının. Statik elektriğe duyarlı bileşenleri, statik elektrik önleyici konteynırlar veya ambalajlar içinde taşıyın.
- Toprağa kabloyla bağlı bir bileklik giyin.
- Statik elektrik önleyici zemin pedleri ve tezgah pedleri içeren statik emniyetli bir alanda çalışın.

Kablomaya genel bakış

Şekil 7, yüksek gerilim bariyeri kaldırılmış haldeyken kontrol ünitesi içerisinde bulunan kablo bağlantılarına genel bir bakış sağlar. Şeklin sol tarafı kontrol ünitesi kapağının arka kısmını gösterir. **Not:** Modül kurulumundan önce konektör kapaklarını konektörlerden çıkarın.

Şekil 7 Kablo bağlantılarına genel bakış



1 Servis kablosu bağlantısı	5 AC ve DC güç konektörleri ¹	9 Ayrık giriş kablo konektörü ¹
2 4-20 mA çıkışı ¹	6 Topraklama terminalleri	10 Dijital sensör konektörü ¹
3 Sensör modülü konektörü	7 Röle bağlantıları ¹	
4 İletişim modülü konektörü (örn., Modbus, Profibus, HART, isteğe bağlı 4-20 mA modülü, vb.)	8 Dijital sensör konektörü ¹	

¹ Daha iyi erişim için terminaller çıkarılabilir.

Güç kaynağı bağlantısı

⚠ UYARI



Elektrik Çarpması Nedeniyle Ölüm Tehlikesi Olasılığı. Elektrik bağlantıları yaparken cihaza giden elektriği mutlaka kesin.

⚠ UYARI



Elektrik Çarpması Nedeniyle Ölüm Tehlikesi Olasılığı. Eğer cihaz dış mekanlarda ya da ıslak olabilecek yerlerde kullanılıyorsa, cihazı ana şebeke elektrik kaynağına bağlamak için bir **Toprak Hatası Kesme** cihazı kullanılmalıdır.

⚠ TEHLİKE



Elektrik Çarpması Nedeniyle Ölüm Tehlikesi. 24 VDC modelini AC elektrige bağlamayın.

⚠ UYARI



Elektrik Çarpması Nedeniyle Ölüm Tehlikesi Olasılığı. Hem 100-240 VAC hem de 24 VDC kablolama uygulamalarında bir koruyucu toprak bağlantısı gereklidir. İyi bir koruyucu toprak bağlantısına bağlanmaması, elektrik çarpması tehlikesine ve elektromanyetik parazitler nedeniyle performans düşüklüğüne neden olabilir. Kontrolör terminaline HER ZAMAN iyi bir koruyucu toprak bağlantısı yapın.

BİLGİ

Cihazı, elektrik bağlantısı kesme cihazına ve bu cihazın kullanımına erişim sağlayan bir yere ve konuma takın.

Kontrol ünitesi 100-240 VAC elektrik beslemeli ya da bir 24 VDC elektrik beslemeli modelleri şeklinde satın alınabilir. Satın alınan model için uygun kablolama talimatlarını uygulayın.

Kontrol ünitesi hat güç beslemesi için ark içerisinde sert kablolama ya da bir elektrik kablosuna kablo çekilmesi şekillerinde kablolanabilir. Kullanılan kabloya bakılmaksızın bağlantılar aynı terminallerde yapılır. Yerel elektrik kurallarının sağlanması için tasarlanmış bir devre kesici gereklidir ve her türlü tesisatta kullanılmalıdır. Sert-kablolama uygulamalarında cihaza ilişkin güç ve emniyet topraklama servis düşüşleri tüm kurulum tipleri için tanımlanmalıdır.

Notlar:

- Gerilim bariyeri herhangi bir elektrik bağlantısı yapılmadan önce sökülmelidir. Tüm bağlantıları yaptıktan sonra kontrol ünitesi kapağını kapatmadan önce gerilim bariyerini değiştirin.
- Conta tipi gerilim azaltma ve uzunluk olarak 3 metreden (10 feet) kısa 18-lik iletkenlere (emniyet topraklama kablosu da dahil) sahip bir elektrik kablosu NEMA 4X/IP66 çevresel ölçümlerini sağlamak üzere kullanılabilir.
- Kontrol birimleri AC elektrik kabloları önceden takılmış olarak sipariş edilebilir. İlave elektrik kabloları sipariş edilebilir.
- 24 VDC beslemeli kontrol ünitesi güç beslemesi yapan DC güç kaynağı belirtilen 24 VDC-%15 + %20 gerilim limitleri arasında voltaj regülasyonu sağlamalıdır. DC güç kaynağı ayrıca elektrik kesintileri ve voltaj düşüş ve çıkışlarına karşı uygun korumayı da sağlamalıdır.

Kablolama prosedürü

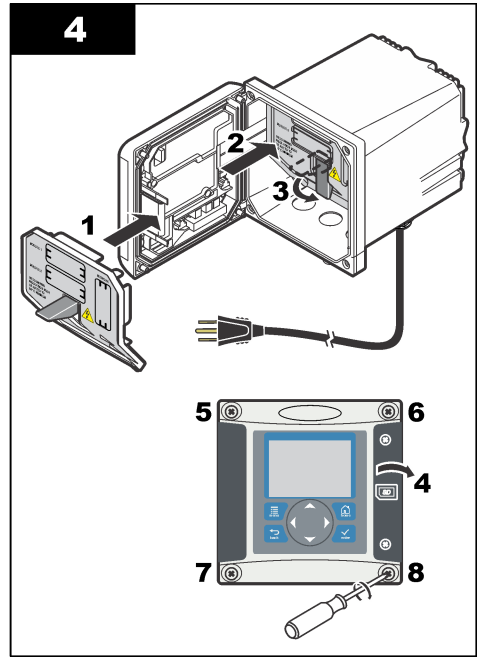
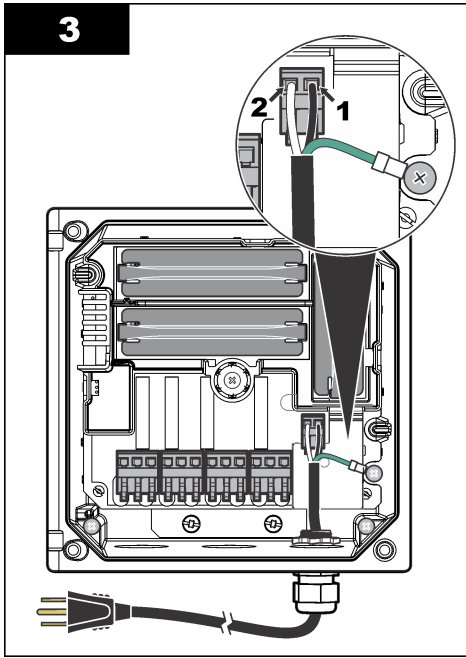
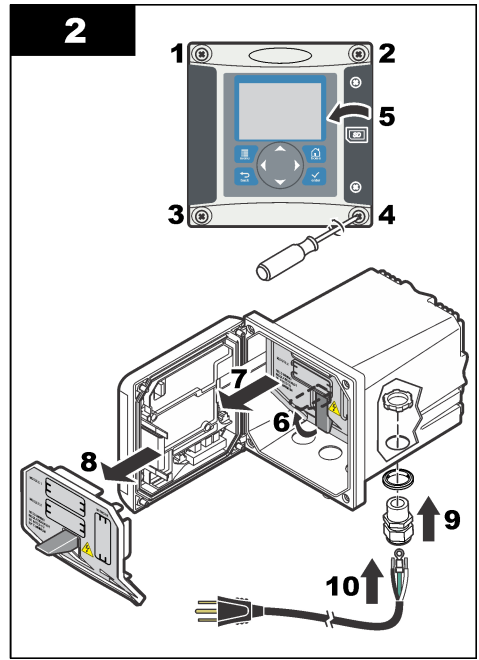
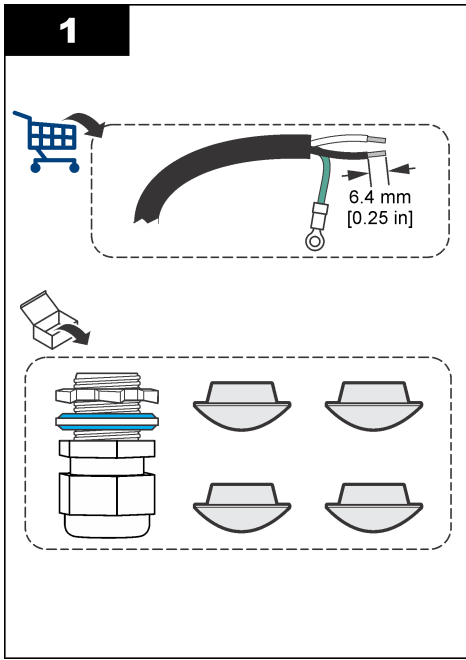
Kontrol ünitesini güce bağlamak için bkz. aşağıda gösterilen adımlar ve [Tablo 1](#) veya [Tablo 2](#). Her kabloyu, uygun terminale, herhangi çıplak bir kablo kalmayacak ve konektörün karşısına oturacak şekilde yerleştirin. Bağlantının sağlam olduğundan emin olmak için kabloyu yerleştirdikten sonra hafifçe çekin. Kontrol cihazı gövdesindeki kullanılmayan açıklıkları, kanal açıklığı sızdırmazlık tapalarıyla kapatın.

Tablo 1 AC elektrik kablolama bilgisi (Sadece AC beslemeli modeller)

Terminal	Açıklama	Renk—Kuzey Amerika	Renk—AB
1	Canlı (L1)	Siyah	Kahverengi
2	Nötr (N)	Beyaz	Mavi
—	Koruyucu Topraklama (PE) halkası	Yeşil	Sarı şeritli yeşil

Tablo 2 DC elektrik kablolama bilgisi (Sadece DC beslemeli modeller)

Terminal	Açıklama	Renk—Kuzey Amerika	Renk—AB
1	+24 VDC	Kırmızı	Kırmızı
2	24 VDC dönüş	Siyah	Siyah
—	Koruyucu Topraklama (PE) halkası	Yeşil	Sarı şeritli yeşil







Alarmlar ve röleler

Kontrol ünitesi, dört adet güçsüz, 100-250 VAC, 50/60 Hz, 5 amp maksimum dirençli tek kutuplu röleyle donatılmıştır. Temas noktaları AC ile çalışan kontrol ünitesi için 250 VAC, 5 amp maksimum

direnç, DC ile çalışan kontrol üniteleri için 24 VDC, 5A maksimum direnç değerine sahiptir. Röleler üzerinde indüktif yükler için değerlendirme yapılmamıştır.



Kablolama röleleri

⚠ UYARI	
	Elektrik Çarpması Nedeniyle Ölüm Tehlikesi Olasılığı. Elektrik bağlantıları yaparken cihaza giden elektrigi mutlaka kesin.
⚠ UYARI	
	Yangın tehlikesi olasılığı. Röle bağlantıları 5A değerinde olup sigortaya sahip değildir. Rölelere bağlanan harici yükler akımı < 5 A değerine sınırlandıran akım sınırlama cihazlarına sahip olmalıdır.
⚠ UYARI	
	Yangın tehlikesi olasılığı. Ortak röle bağlantılarını ya da cihaz içerisinde bulunan şebeke cereyanından gelen güç bağlantısı jumper telini günlük olarak zincirlemeyin.
⚠ UYARI	
	Elektrik Çarpması Nedeniyle Ölüm Tehlikesi Olasılığı. Muhafazanın NEMA/IP çevresel ölçümlerini sağlamak amacıyla, cihazın içine kablo döşemek üzere sadece ark parçalarını ve en az NEMA 4X/IP66 değerine sahip kablo rakortlarını kullanın.

AC hattı (100—250 V) güç beslemeli kontrol birimleri

Kablolama bölgesi 250 VAC'ı geçen voltaj bağlantıları için tasarlanmamıştır.

24 VDC beslemeli kontrol birimleri

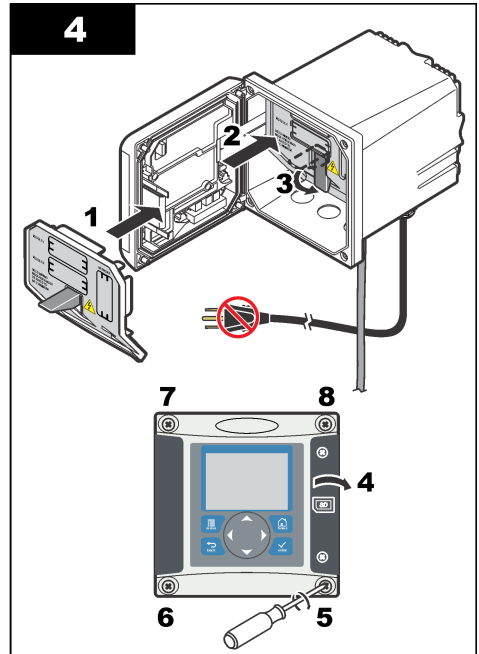
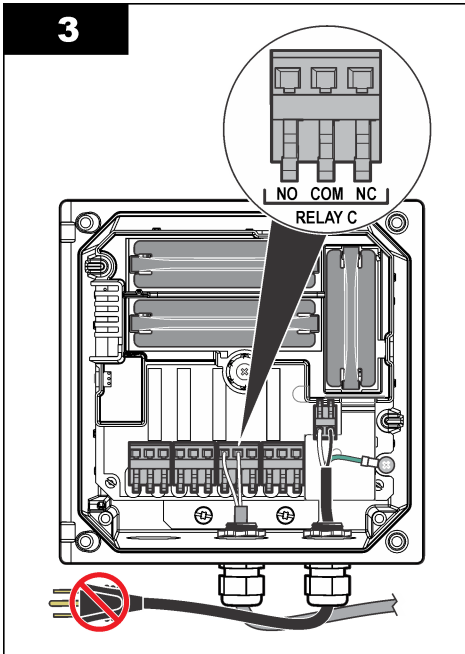
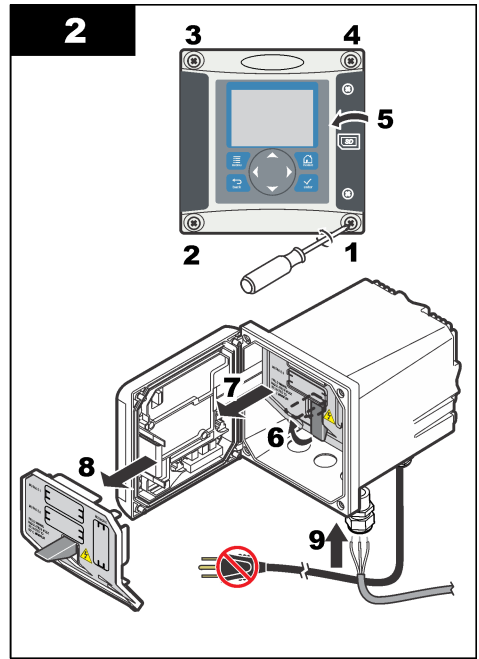
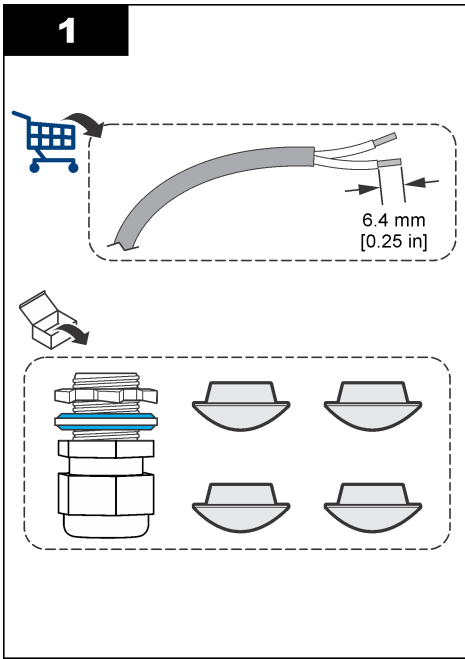
⚠ UYARI	
	Elektrik Çarpması Nedeniyle Ölüm Tehlikesi Olasılığı. AC şebeke beslemeli kontrol cihazları (115 V–230 V) AC şebekesi devrelerine röle bağlantısı için tasarlanmıştır (16 V-RMS, 22,6 V-PEAK veya 35 VDC değerinden yüksek gerilimler).
⚠ UYARI	
	Elektrik Çarpması Nedeniyle Ölüm Tehlikesi Olasılığı. 24 V kontrol cihazları düşük gerilimli devrelere röle bağlantısı için tasarlanmıştır (16 V-RMS, 22,6 V-PEAK veya 35 VDC değerinden düşük gerilimler).

24 VDC kontrol ünitesi röleleri düşük voltajlı devrelerde bağlantı için tasarlanmıştır (yani, 30 V-RMS, 42,2 V-PEAK veya 60 VDC'den düşük voltajlar). Kablolama bölgesi, bu seviyelerin üzerinde voltaj bağlantıları için tasarlanmamıştır.

Röle konektörlerine 18–12 AWG kablolar takılabilmektedir (yük uygulaması tarafından belirlendiği şekilde). 18 AWG'den düşük kablo derecesinin kullanılması önerilmemektedir.

Alarm ya da diğer durum etkin olduğunda, Normal Olarak Açık (NO) ve Ortak (COM) röle bağlantıları bağlanacaktır. Alarm ya da diğer bir durum devre dışı kaldığında (Arıza Emniyeti Evet olarak ayarlanmadığı sürece) ya da elektrik kontrol ünitesinden kesildiğinde, Normal Olarak Kapalı (NC) ve Ortak (COM) röle bağlantıları bağlanacaktır.

Çoğu röle bağlantısı ya NO ve COM terminallerini ya da NC ve COM terminallerini kullanır. Numaralandırılan kurulum adımları NO ve COM terminallerine giden bağlantıları gösterir.



Analog çıkış bağlantıları

⚠ UYARI



Elektrik Çarpması Nedeniyle Ölüm Tehlikesi Olasılığı. Elektrik bağlantıları yaparken cihaza giden elektriği mutlaka kesin.

⚠ UYARI



Elektrik Çarpması Nedeniyle Ölüm Tehlikesi Olasılığı. Muhafazanın NEMA/IP çevresel ölçümlerini sağlamak amacıyla, cihazın içine kablo döşemek üzere sadece ark parçalarını ve en az NEMA 4X/IP66 değerine sahip kablo rakorlarını kullanın.

Yalıtımlı iki analog çıkış (1 ve 2) sunulmuştur (**Şekil 8**). Bu çıkışlar genellikle analog sinyal iletişimini veya diğer harici cihazları kontrol etmek için kullanılır.

Şekil 8 ve **Tablo 3**'de gösterildiği gibi kontrol ünitesinin kablo bağlantılarını yapın.

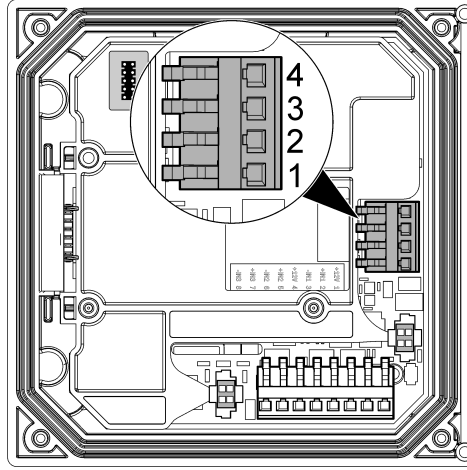
Not: **Şekil 8** ana kontrol cihazı bölmesini değil, kontrol ünitesi kapağının arka kısmını gösterir

Tablo 3 Çıkış bağlantıları

Kaydedici kabloları	Devre kartı konumu
Çıkış 2-	4
Çıkış 2+	3
Çıkış 1-	2
Çıkış 1+	1

1. Kontrol ünitesinin kapağını açın.
2. Kabloları gerilim azaltıcı içerisinden geçirin.
3. Kabloları gerektiği gibi ayarlayın ve gerilim azaltıcıyı sıkın.
4. Çift bükümlü blendajlı kablo bağlantısını yapın ve korumayı kontrol bileşeninin ucuna veya kontrol devresinin ucuna bağlayın.
 - Korumayı kablonun iki ucuna da bağlamayın.
 - Blendajlı olmayan kablo kullanılması, radyo frekansı emisyonuna veya izin verilenden daha yüksek seviyelere maruz kalmasına neden olabilir.
 - Maksimum devre direnci 500 ohm'dur.
5. Kontrol ünitesinin kapağını kapatın ve kapağın vidalarını sıkın.
6. Kontrol ünitesi çıkışlarını yapılandırın.

Şekil 8 Analog çıkış bağlantıları



Ayrık giriş kablo bağlantıları

⚠ UYARI



Elektrik Çarpması Nedeniyle Ölüm Tehlikesi Olasılığı. Elektrik bağlantıları yaparken cihaza giden elektriği mutlaka kesin.

⚠ UYARI

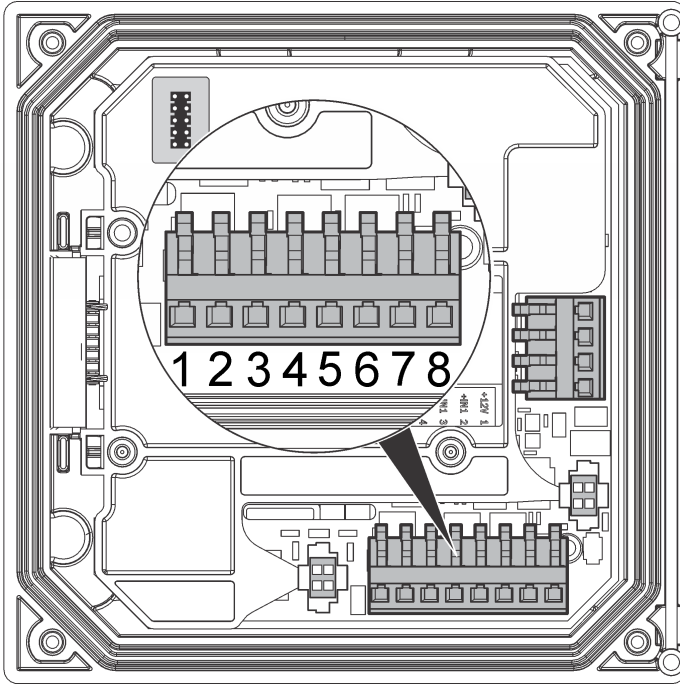


Elektrik Çarpması Nedeniyle Ölüm Tehlikesi Olasılığı. Muhafazanın NEMA/IP çevresel ölçümlerini sağlamak amacıyla, cihazın içine kablo döşemek üzere sadece ark parçalarını ve en az NEMA 4X/IP66 değerine sahip kablo rakorlarını kullanın.

Üç ayrı giriş, anahtar kapama girişleri ve mantık seviyesi gerilim girişleri için sağlar. Şekil 9, Tablo 4 ve Şekil 10'te gösterildiği gibi kablo bağlantılarını yapın ve kontrol ünitesinin jumper ayarlarını yapılandırın.

Not: Şekil 9 ana kontrol cihazı bölmesini değil, kontrol ünitesi kapağının arka kısmını gösterir

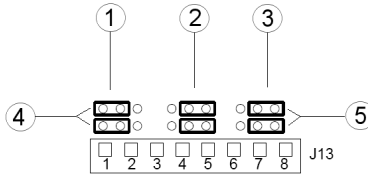
Şekil 9 Ayrık giriş kablo bağlantıları



Tablo 4 Giriş bağlantıları

Ayrık girişler	Konektör konumu - Anahtar girişi	Konektör konumu - Gerilim girişi
Giriş 1+	3	2
Giriş 1-	2	3
Giriş 2+	6	5
Giriş 2-	5	6
Giriş 3+	8	7
Giriş 3-	7	8

Şekil 10 Jumper ayarları



1 Giriş 1 jumper yapılandırması	4 Anahtar girişleri için sola konumlandırılan jumper'lar
2 Giriş 2 jumper yapılandırması	5 Anahtar girişleri için sağa konumlandırılan jumper'lar
3 Giriş 3 jumper yapılandırması	

1. Kontrol ünitesinin kapağını açın.
2. Kabloları kablo rakorunun içinden geçirin.
3. Kabloları gerektiği gibi ayarlayın ve kablo rakorunu sıkın.
4. Jumper'lar hemen konektörün arkasına konumlandırılır. Jumper'lara gelişmiş erişim sağlamak için konektörü çıkarın ve jumper ayarlarını giriş tipine göre **Şekil 10**'da gösterildiği gibi yapılandırın.
5. Kontrol ünitesinin kapağını kapatın ve kapağın vidalarını sıkın.
6. Kontrol ünitesi girişlerini yapılandırın.

Not: **Anahtar girişi** modunda kontrol ünitesi, anahtara 12 volt gerilim verir ve kontrol ünitesinden yalıtılmaz. **Gerilim girişi** modunda girişler kontrol ünitesinden yalıtılır (kullanıcı girişi gerilimi 0 ile 30 volt arasındadır).

Bir dijital sc sensörünün bağlanması

Not: Bir analog sensör bağlamak için, modülle veya sensör kılavuzu ile birlikte gelen talimatlara başvurun.

Dijital sc sensörü geçmeli bir çabuk bağlantı elemanı kullanılarak kontrol ünitesine bağlanabilir (**Şekil 11**). Kontrol ünitesi açık veya kapalıyken bir dijital sensör bağlanabilir.

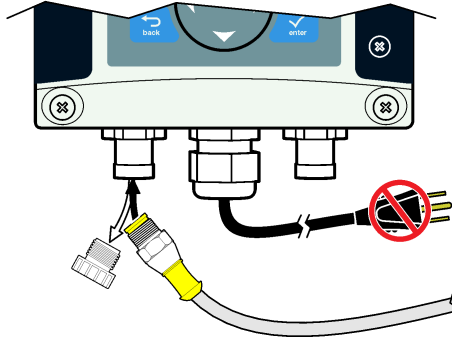
Bir sensör kontrol ünitesi açıkken bağlandığında, kontrol ünitesi tarafından otomatik olarak bir cihaz taraması gerçekleştirilmez. Kontrol ünitesinin aygıt taraması yapmasını sağlamak için, Test/Maintenance menüsüne gidin ve Scan Devices öğesini seçin. Yeni bir cihaz bulunursa, kontrol ünitesi başka bir kullanıcı müdahalesi gerekmeksizin kurulum işlemini gerçekleştirir.

Bir sensör kontrol ünitesi kapalıyken bağlandığında, cihaz yeniden açıldığında kontrol ünitesi bir cihaz tarama işlemi gerçekleştirecektir. Yeni bir cihaz bulunursa, kontrol ünitesi başka bir kullanıcı müdahalesi gerekmeksizin kurulum işlemini gerçekleştirir.

Sensörün çıkartılması gerekiyorsa, konektör açıklığını kapatmak için konektör kapakçığını geri çekin.

Şekil 11 Çabuk dijital sensör bağlantısı

1.



İsteğe bağlı dijital iletişim çıkışının bağlanması

Üretici, Modbus RS485, Modbus RS232, Profibus DPV1 ve HART iletişim protokollerini destekler. İsteğe bağlı dijital çıkış modülü **Şekil 7** sayfa 463'de gösterilen konuma yerleştirilmiştir. Daha fazla bilgi için ağ modülü ile birlikte gelen talimatlara başvurun.

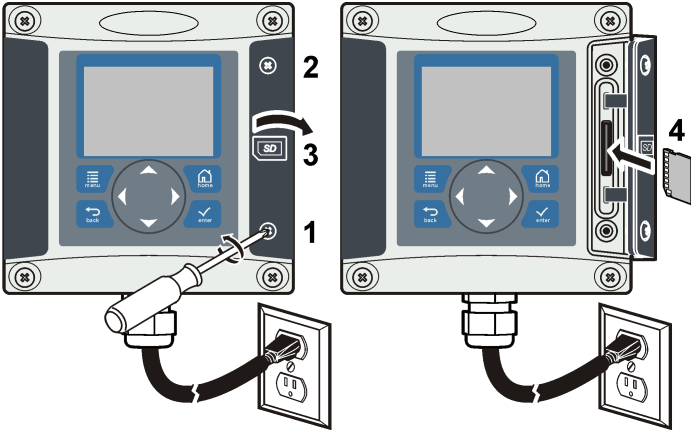
Modbus kayıtları hakkında bilgi almak için <http://www.hach-lange.com> veya <http://www.hach.com> adresine gidin ve *Modbus kayıtları* veya herhangi bir sc200 ürün sayfasına gidin.

Bir Secure Digital (SD) bellek kartı takılması

Bir SD kartın kontrol ünitesine nasıl takılacağı hakkında bilgi için bkz. **Şekil 12**. SD bellek kartı kullanım bilgisi bu kullanım kılavuzunun genişletilmiş baskısında bulunabilir.

Bir SD kartını çıkartmak için kartın kenarını aşağı bastırın ve bırakın, ardından kartı çekerek yuvadan çıkartın. Kart çıkartıldıktan sonra, yuvanın kapağını kapatın ve kapak vidalarını sıkın.

Şekil 12 SD kartın takılması

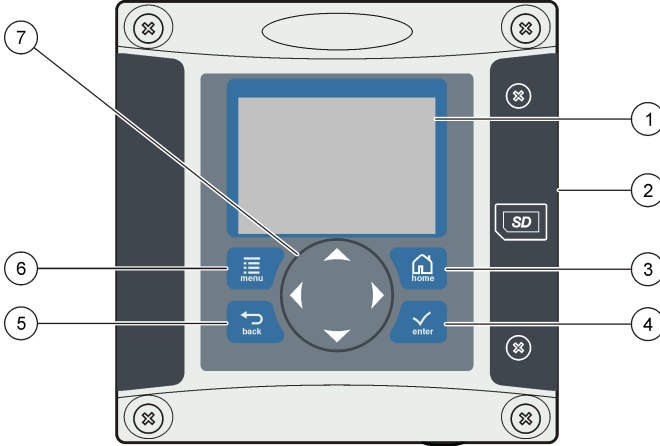


Kullanıcı arayüzü ve gezinme

Kullanıcı arayüzü

Tuş takımı dört menü tuşuna ve Şekil 13'de gösterildiği şekilde dört yön tuşuna sahiptir.

Şekil 13 Tuş takımı ve ön panel genel görünümü



1 Cihaz ekranı	5 BACK (Geri) tuşu. Menü yapısında bir seviye geri hareket eder.
2 Secure Sigital Memory Card (Güvenli Dijital Bellek Kartı) yuvası kapağı	6 MENU (Menü) tuşu Diğer ekranlardan ve alt menülerden Ayarlar Menüüne geçer.
3 HOME (Ana Sayfa) tuşu. Diğer ekranlardan ve alt menülerden Ana Ölçüm ekranına hareket eder.	7 Yön tuşları. Menüler arasında gezinmek, ayarları değiştirmek ve basamakları artırmak ya da azaltmak için kullanılır.
4 ENTER (Giriş) tuşu. Giriş değerlerini ya da görüntülenen menü seçeneklerini kabul eder.	

Tuş takımı ve gösterge ekranı kullanılarak girişler ve çıkışlar ön panelden ayarlanır ve yapılandırılır. Bu kullanıcı arabirimi giriş ve çıkışları ayarlamak ve yapılandırmak, günlük bilgisi ve hesaplanmış

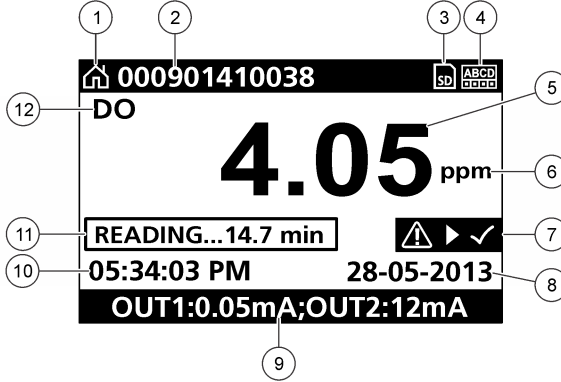
değerler oluşturmak ve sensörleri kalibre etmek için kullanılır. SD arabirimi günlük kaydetmek ve yazılım güncellemek için kullanılabilir.

Ekran

Şekil 14, kontrol ünitesine bir DO sensörü bağlı şekilde ana ölçüm ekranının bir örneğini gösterir.

Ön panel ekranı sensör ölçüm verilerini, kalibrasyon ve yapılandırma ayarlarını, hataları, uyarıları ve diğer bilgileri gösterir.

Şekil 14 Ana Ölçüm ekranı örneği



1 Ana ekran simgesi	7 Uyarı durum çubuğu
2 Sensör adı	8 Tarih
3 SD Bellek kartı simgesi	9 Analog çıkış değerleri
4 Röle durumu göstergesi	10 Saat
5 Ölçüm değeri	11 İlerleme çubuğu
6 Ölçüm birimi	12 Ölçüm parametresi

Tablo 5 Simge açıklamaları

Simge /tuş	Açıklama
Ana ekran	Simge görüntülenen ekran ya da menüye göre değişiklik gösterir. Örneğin bir SD kart takılırsa, kullanıcı SD Kart Ayar menüsüne girdiğinde burada bir SD kart simgesi görüntülenir.
SD bellek kartı	Bu simge okuyucu yuvasında yalnızca bir SD kart varsa görüntülenir. Bir kullanıcı SD Kart Ayar menüsündeyken, bu simge sol üst köşede görüntülenir.
Uyarı	Bir uyarı simgesi, üçgen içerisindeki ünlem işaretinden oluşur. Uyarı simgeleri ana ekranın sağında, ölçüm değerinin altında görüntülenir. ENTER tuşuna basın ve cihazla ilişki sorunları görüntülemek için cihazı seçin. Tüm sorunlar giderildiğinde veya onaylandığında uyarı simgesi artık görüntülenmez.
Hata	Bir hata simgesi, daire içerisinde ünlem işaretinden oluşur. Bir hata meydana geldiğinde hata simgesi ve ölçüm ekranı ana ekranda dönüşümlü olarak yanıp söner. Hataları görüntülemek için MENU (Menü) tuşuna basın ve Diagnostics (Tanılar) seçeneğini belirleyin. Daha sonra cihazla ilişkili olan sorunları görüntülemek için cihazı seçin.

Ek ekran biçimleri

- Ölçüm parametreleri arasında geçiş yapmak için Main Measurement (Ana Ölçüm) ekranından **YUKARI** ve **AŞAĞI** ok tuşlarına basın

- 4 ölçüm parametresine kadar bölünmüş görünümüne geçiş yapmak için Main Measurement (Ana Ölçüm) ekranından **SAĞ** ok tuşuna basın. Ek ölçümler eklemek için **SAĞ** ok tuşuna basın. Main Measurement (Ana Ölçüm) ekranına geri dönmek için gerektiği kadar **SOL** ok tuşuna basın
- Grafik ekranına geçiş yapmak için Main Measurement (Ana Ölçüm) ekranından **SOL** ok tuşuna basın (Parametreleri tanımlamak için bkz. [Grafik ekranı](#) sayfa 474). Ölçüm grafikleri arasında geçiş yapmak için **YUKARI** ve **AŞAĞI** ok tuşlarına basın

Grafik ekranı

Grafik, kullanımda olan her kanal için konsantrasyonu ve sıcaklık ölçümlerini gösterir. Grafik, eğilimlerin kolay izlenmesini sağlar ve prosesteki değişimleri gösterir.

1. Bir grafik seçmek için grafik ekranında yukarı ve aşağı ok tuşlarını kullanın ve **HOME** tuşuna basın.
2. Bir seçenek belirleyin:

Seçenek	Açıklama
MEASUREMENT VALUE (Ölçüm Değeri)	Seçili kanal için ölçüm değerini belirleyin. Auto Scale (Otomatik Ölçeklendir) ve Manually Scale (Manuel Olarak Ölçeklendir) arasında seçim yapın. Manuel olarak ölçeklendirme için minimum ve maksimum ölçüm değerlerini girin
DATE & TIME RANGE (Tarih ve Saat Aralığı)	Mevcut seçenekler arasından tarih ve saat aralığını seçin

Sistemin başlatılması

Cihaz ilk açıldığında sırasıyla Dil, Tarih Biçimi ve Tarih/Saat ekranları görüntülenir. Bu seçenekler ayarlandıktan sonra, kontrol ünitesi bir aygıt tarama işlemi gerçekleştirir ve **Cihazlar taranıyor**. **Lütfen bekleyin...** mesajını görüntüler. Yeni bir cihaz bulunursa, kontrol ünitesi ana ölçüm ekranını görüntülemeye başlamadan önce kurulum işlemini gerçekleştirir.

Tarama işlemi yapılandırma değişikliği olmamış, önceden yüklenmiş cihazlar bulursa, taramanın tamamlanmasının ardından birinci konumdaki cihaza ait ölçüm ekranı görüntülenir.

Kontrol ünitesinden bir cihaz kaldırıldıysa veya bir sonraki kapatıp açma ya da menü tarama işleminin ardından bulunamazsa, kontrol ünitesi **Cihaz Yok** mesajını görüntüler ve kayıp cihazın silinip silinmeyeceğini sorar.

Takılı analog modüle herhangi bir sensör bağlı değilse, kontrol ünitesi bir hata verecektir. Cihazlar takılı ancak kontrol ünitesi tarafından bulunamıyorsa, [Sorun giderme](#) sayfa 476'ye bakın.

Dil, tarih ve saatin ilk kez ayarlanması

Kontrol ünitesi ilk kez elektriğe bağlandığında dil, tarih ve saat düzenleme ekranı görüntülenir ve yapılandırmanın ardından tekrar açıldığında ayarlar varsayılan değerlerine ayarlanır.

Dil, tarih ve saat seçenekleri ilk kez ayarlandıktan sonra sc200 kurulum menüsünden seçenekleri gerektiği şekilde güncelleyin.

1. Dil ekranında, seçenekler listesinde bir dil işaretleyin ve **ENTER** tuşuna basın. Kontrol ünitesi için İngilizce varsayılan dildir. Seçilen dil kaydedilir. Tarih Formatı ekranı görüntülenir.
2. Tarih Formatı ekranında bir format işaretleyin ve **ENTER** tuşuna basın. Tarih ve saat formatı kaydedildi. Sonraki, Tarih/Saat ekranı görüntülenir.
3. Tarih/Saat ekranında alanı işaretlemek için **SAĞ** ya da **SOL** oklarına basın ardından alandaki değeri güncellemek için **YUKARI** veya **AŞAĞI** oklarına basın. Gerektiği şekilde diğer alanları da güncelleyin.
4. **ENTER** tuşuna basın. Değişiklikler kaydedilir ve kontrol ünitesi, cihazlar için bir başlangıç taraması gerçekleştirir. Bağlı cihaz bulunursa, kontrol ünitesi bir numara konumundaki cihaz için kontrol ünitesi ana ölçüm ekranını görüntüler. Kontrol ünitesi bağlı cihaz bulamazsa bkz. [Sorun giderme](#) sayfa 476.

Kontrol ünitesi yapılandırma bilgisi

Yapılandırma seçenekleri hakkında genel bilgi tabloda listelenmiştir.

1. Ayarlar Menüsünden menü seçeneklerine gelmek için sc200 Kurulum ögesini seçin.

Seçenek	Açıklama
Security setup (Güvenlik kurulumu)	Şifre özelliklerini belirler.
Output setup (Çıkış kurulumu)	Kontrol ünitesi analog çıkışlarını yapılandırır
Relay setup (Röle kurulumu)	Kontrol ünitesi rölelerini yapılandırır
Display setup (Ekran ayarları)	Kontrol ünitesi ekranını yapılandırır
Set Date/Time (Tarih/Saat Kurulumu)	Kontrol ünitesi saatini ve tarihini ayarlar
Veri günlüğü kurulumu	Veri kaydetme seçeneklerini yapılandırır. Hesaplama kurulumu gerçekleştirildiyse kullanılabilir.
Manage Data (Verileri Yönetme)	Verileri veya olay günlüğünü görüntülemek için kurulu bileşenler listesinden cihazı seçin
Error Hold Mode (Hata Bekletme Modu)	Hold Outputs (Çıktı Bekletme) —Kontrol ünitesi sensör ile iletişimini kaybettiğinde çıktıları bilinen son değerlerde bekletir. Transfer Outputs (Çıktı Aktarma) —Kontrol ünitesi sensör ile bağlantısını kaybettiğinde aktarma moduna geçer. Aktarımı önceden belirlenen bir değere çıkarır.
Hesaplama	Kontrol ünitesi matematik fonksiyonunu yapılandırır
sc200 Information (sc200 Bilgi)	S/W VER: —Kontrol ünitesi yazılımının mevcut sürümünü görüntüler Bootloader VER: —Geçerli Bootloader sürümünü görüntüler. Bootloader, kontrol ünitesi için ana işletim sistemini yükleyen bir dosyadır S/N: —Kontrol ünitesi seri numarasını görüntüler Sürüm: —Kontrol ünitesi donanımının geçerli sürümünü görüntüler
Ayrık Giriş Ayarı	Üç ayrık giriş kanalını yapılandırır
Dil	Kontrol ünitesi kullanıcı dili atar.

2. Bir seçenek belirleyin ve menü ögesini etkinleştirmek üzere **ENTER** tuşuna basın.

Bakım

▲ DİKKAT



Birden fazla tehlike. Belgenin bu bölümünde açıklanan görevleri yalnızca yetkili personel gerçekleştirmelidir.

Kontrol cihazını temizleme

⚠ TEHLİKE



Bakım işlemleri yapmadan önce kontrol cihazının gücünü mutlaka kesin.

Not: Kontrol cihazının hiçbir bölümünü yanıcı veya aşındırıcı çözücülerle temizlemeyin. Bu tür çözücülerin kullanılması sonucu ünitenin çevre korumasına zarar görebilir ve garanti geçersiz hale gelebilir.

1. Kontrol cihazı kapağının sıkıca kapatıldığından emin olun.
2. Cihazın dış yüzeyini suyla veya su ve deterjan karışımıyla nemlendirilmiş bezle silin.

Sorun giderme

Sorun	Hassasiyet
Akım çıkışı yok	Akım çıkışı yapılandırmasını doğrulayın.
	Test/Bakım alt menüsünü kullanarak akım çıkış sinyalinin test edin. Bir akım değeri girin ve kontrol ünitesi bağlantılarında çıkış sinyalinin doğrulayın.
	Teknik Desteğe Danışınız.
Yanlış akım çıkışı	Akım çıkışı yapılandırmasını doğrulayın.
	Test/Bakım alt menüsünü kullanarak akım çıkış sinyalinin test edin. Bir akım değeri girin ve kontrol ünitesi bağlantılarında çıkış sinyalinin doğrulayın. Çıkış yanlışsa, bir çıkış kalibrasyonu gerçekleştirin.
Röle aktivasyonu yok	Röle bağlantılarının sağlam olduğundan emin olun.
	Harici bir güç kaynağı kullanılıyorsa, röle kablo bağlantılarının doğru olduğundan emin olun.
	Röle yapılandırmasının doğruluğundan emin olun.
	Test/Bakım menüsü aracılığıyla röle aktivasyonunu test edin. Röle seçildiğinde enerji vermeli ve enerjiyi kesmelidir.
	Kontrol ünitesinin kalibrasyon modunda olmadığından ve rölenin engellenmediğinden emin olun.
Secure Digital Memory (SD) kartı kontrol ünitesi tarafından tanınmadı	SD kartın uygun yönde takıldığından emin olun. Bakır temas noktaları kontrol ünitesi ekranına doğru bakmalıdır.
	SD kartın yuvasına tam olarak oturduğundan ve yaylı kilidin yerine geçtiğinden emin olun.
	SD kartın uygun şekilde Fat 32 olarak biçimlendirildiğinden emin olun. MMC biçimi desteklenmez. SD kartı bir PC'de biçimlendirmek için kart üreticisinin talimatlarını izleyin.
	Kartın 32 GB'tan daha büyük olmadığından emin olun.
	Bir SD kart kullanıldığından emin olun. Farklı tipte kartlar (xSD, micro SD, mini SD gibi) uygun şekilde çalışmayacaktır.

Sorun	Hassasiyet
Bilgiler SD karta kaydedilmiyor veya uygun şekilde kaydedilmiyor.	SD kartın uygun şekilde Fat 32 olarak biçimlendirildiğinden emin olun. MMC biçimi desteklenmez. SD kartı bir PC'de biçimlendirmek için kart üreticisinin talimatlarını izleyin.
	SD kart daha önceden kullanıldıysa, kartı Fat 32 olarak biçimlendirin, kartı kontrol ünitesine takın ve dosyaları indirmeyi deneyin.
	Farklı bir SD kart kullanın.
SD kartı dolu	SD kartını bir PC veya başka bir kart okuyucu cihazla okuyun. Önemli dosyaları kaydedin ve SD karttaki bazı dosyaları veya tüm dosyaları silin.
Kontrol ünitesi SD kart üzerinde yazılım güncellemelerini bulamıyor.	Kontrol cihazına SD kart takarak, uygun bir klasör oluşturulduğundan emin olun. Bir güncelleme klasörü otomatik olarak oluşturulacaktır.
	SD kartı bir PC'ye takarak yazılım dosyalarının uygun güncelleme klasöründe yer aldığından emin olun.
	Aynı SD kart birden fazla kontrol ünitesinde kullanılıyorsa, her kontrol ünitesi sistem üzerinde farklı bir klasöre sahip olacaktır. Yazılım güncellemelerinin kullarındaki kontrol ünitesine özel bir klasörde bulduklarından emin olun.
Ekran ışığı yanıyor ancak herhangi bir karakter görünmüyor veya karakterler soluk ya da bulanık.	Ekran kontrastının ayarlanması
	Ekran üzerindeki koruyucu filmin çıkartıldığından emin olun.
	Ekran dahil olmak üzere kontrol ünitesinin dışını temizleyin.
Kontrol ünitesine güç gelmiyor veya kesik kesik geliyor	AC güç bağlantılarının kontrol ünitesinde uygun şekilde sonlandırıldığından emin olun.
	Uzatma kablosu, akım kablosu, duvar prizinin uygun şekilde takılı olduğundan emin olun.
	Teknik Desteğe Danışınız
Ağ veya sensör modülü tanınmadı	Modülün uygun şekilde takıldığından emin olun.
	Modül seçici anahtarının uygun numaraya getirildiğinden emin olun.
	Sensör modülünü çıkartın ve modülü ikinci analog yuvaya yerleştirin. Kontrol ünitesine güç verin ve kontrol ünitesinin cihaz taraması yapmasına izin verin.
	Teknik Desteğe Danışınız.

Sorun	Hassasiyet
<p>Sensör tanınmadı</p> <p><i>Not: Muhtemel ektan mesajı örneği: ****</i></p>	<p>Sensör analog bir sensörse ve ilgili modül kontrol ünitesine takılıysa, Ağ veya Sensör Modülü ile birlikte gelen talimatlara başvurun.</p>
	<p>Dijital bağlantı kablo demetinin kapak grubunun iç kısmına oturduğundan ve kablo demetinin zarar görmediğinden emin olun.</p>
	<p>Dijital sensör kontrol ünitesine bir dijital sonlandırıcı kutusu, kullanıcı tarafından tedarik edilen bir bağlantı kutusu, dijital uzatma kabloları veya kullanıcı tarafından tedarik edilen dijital uzatma kablosu ile bağlandıysa, sensörü doğrudan kontrol ünitesine takın ve cihaz taraması gerçekleştirin. Kontrol ünitesi sensörü tanırsa, bağlantı kutusu veya uzatma kablolarına ait tüm bağlantıların doğru olduğunu kontrol edin.</p>
	<p>Kontrol ünitesine yalnızca iki sensör takıldığından emin olun. İki analog modül bağlantı noktası olmasına rağmen, bir dijital sensör ve iki analog modül takılıysa, kontrol ünitesi tarafından yalnızca üç cihazdan ikisi algılanır.</p>
	Teknik Desteğe Danışınız
<p>Cihaz Yok mesajı görüntüleniyor</p>	<p>Test/Bakım menüsünden Cihaz Tara işlemi gerçekleştirin.</p>
	<p>Kontrol ünitesini kapatıp açın.</p>

Obsah

Technické údaje na strane 479

Spustenie systému na strane 501

Všeobecné informácie na strane 480

Údržba na strane 502

Inštalácia na strane 483

Riešenie problémov na strane 503

Užívateľské rozhranie a navigácia na strane 499

Ďalšie informácie

Ďalšie informácie sú k dispozícii na webovej stránke výrobcu.

Technické údaje

Technické údaje podliehajú zmenám bez predchádzajúceho upozornenia.

Technický údaj	Podrobnosti
Popis zariadenia	Penetrovateľsky orientovaný a mikroprocesorom riadený kontrolér, ktorý prevádzkuje snímače a zobrazuje namerané hodnoty na displeji.
Prevádzková teplota	-20 až 60 °C (-4 až 140 °F); relatívna vlhkosť vzduchu 95 %, bez kondenzácie, pri zaťažení snímačmi <7 W; -20 až 50 °C (-4 až 104 °F) pri zaťažení snímačmi <28 W
Teplota skladovania	-20 až 70 °C (-4 až 158 °F); relatívna vlhkosť vzduchu 95 %, bez kondenzácie
Puzdro ¹	Kovová skrinka kategórie NEMA 4X/IP66, s protikoróznou povrchovou úpravou
Napájanie	Kontrolér napájaný striedavým prúdom: 100 – 240 V stried. ±10 %, 50/60 Hz; príkon 50 VA so zaťažením modulu snímača/siete 7 W, 100 VA so zaťažením modulu snímača/siete 28 W (voliteľné sieťové pripojenie Modbus, RS232/RS485, Profibus DPV1 alebo HART). Kontrolér napájaný jednosmerným prúdom s napätím 24 V: 24 V jednosm. – 15 %, + 20 %; príkon 15 W so zaťažením modulu snímača/siete 7 W, 40 W so zaťažením modulu snímača/siete 28 W (voliteľné sieťové pripojenie Modbus, RS232/RS485, Profibus DPV1 alebo HART).
Prevádzkové požiadavky na nadmorskú výšku	Štandardne do nadmorskej výšky 2000 m (6562 stôp)
Stupeň znečistenia/kategória inštalácie	Stupeň znečistenia 2; Kategória inštalácie II
Výstupy	Dva analógové výstupy (0 – 20 mA alebo 4 – 20 mA). Každý analógový výstup je možné priradiť k nejakému meranému parametru, ako napr. pH, teplota, prietok alebo vypočítaným hodnotám. Voliteľný modul disponuje tromi dodatočnými analógovými výstupmi (spolu 5).
Relé	Štyri SPDT, používateľom konfigurované kontakty, s menovitým napätím 250 V stried., max. 5 A do odporovej záťaže na kontroléroch napájaných striedavým prúdom a 24 V jednosm., max. 5 A do odporovej záťaže na kontroléroch napájaných jednosmerným prúdom. Relé sú určené pre pripojenie k obvodom so striedavým napätím (ak je regulátor napájaný napätím 115 – 240 V stried.) alebo s jednosmerným prúdom (ak je regulátor napájaný napätím 24 V jednosm.).
Rozmery	½ DIN—144 x 144 x 180,9 mm (5,7 x 5,7 x 7,12 palca)
Hmotnosť	1,7 kg (3,75 libry)

Technický údaj	Podrobnosti
Informácie o zhode ²	Zhoda CE (so všetkými typmi snímačov). Uvedený na zozname pre všeobecné použitie podľa bezpečnostných štandardov UL a CSA spoločnosťou ETL (so všetkými typmi snímačov). Niektoré modely napájané striedavým napätím sú uvedené na použitie v bezpečných oblastiach podľa bezpečnostných štandardov Underwriters Laboratories UL a CSA (so všetkými druhmi snímačov).
Digitálna komunikácia	Voliteľné sieťové rozhranie pre dátové prenosy Modbus RS232/RS485, Profibus DPV1 alebo HART
Záznam údajov	Pamäťová karta Secure Digital (max. 32 GB) alebo špeciálny konektor pre kábel RS232 na záznam údajov a aktualizáciu softvéru. Kontrolér spravuje približne 20 000 dátových bodov na jeden snímač.
Záruka	2 roky

¹ Jednotky, ktoré majú certifikáciu Underwriters Laboratories (UL) sú určené len na používanie v interiéri a nemajú hodnotenie NEMA 4X/IP66.

² Jednotky napájané jednosmerným napätím nie sú uvedené na zozname Underwriters Laboratories.

Všeobecné informácie

Výrobca v žiadnom prípade nenesie zodpovednosť za priame, nepriame, mimoriadne, náhodné alebo následné škody spôsobené chybou alebo opomenutím v tomto návode na použitie. Výrobca si vyhradzuje právo na vykonávanie zmien v tejto príručke alebo na predmetnom zariadení kedykoľvek, bez oznámenia alebo záväzku. Revidované vydania sú k dispozícii na webových stránkach výrobcu.

Bezpečnostné informácie

POZNAMKA

Výrobca nie je zodpovedný za škody spôsobené nesprávnym alebo chybným používaním tohto zariadenia vrátane, okrem iného, priame, náhodné a následné škody, a odmieta zodpovednosť za takéto škody v plnom rozsahu povolenom príslušným zákonom. Používateľ je výhradne zodpovedný za určenie kritického rizika pri používaní a zavedenie náležitých opatrení na ochranu procesov počas prípadnej poruchy prístroja.

Pred vybalením, nastavením alebo prevádzkou tohto zariadenia si prečítajte prosím celý návod. Venujte pozornosť všetkým výstrahám a upozorneniam na nebezpečenstvo. Zanedbanie môže mať za následok vznik vážnych zranení obsluhy alebo poškodenie zariadenia.

Ak si chcete byť istí, že ochrana tohto zariadenia nebude porušená, nepoužívajte ani nemontujte toto zariadenie iným spôsobom, ako je uvedený v tomto návode.

Informácie o možnom nebezpečenstve

▲ NEBEZPEČIE

Označuje potenciálne alebo bezprostredne nebezpečnú situáciu, ktorá, ak sa jej nezabráni, spôsobí smrť alebo vážne zranenie.

▲ VAROVANIE

Označuje potenciálne alebo bezprostredne nebezpečnú situáciu, ktorá, ak sa jej nezabráni, by mohla spôsobiť smrť alebo vážne zranenie.

▲ UPOZORNENIE





Označuje potenciálne ohrozenie s možným ľahkým alebo stredne ťažkým poranením.

POZNAMKA

Označuje situáciu, ktorá, ak sa jej nezabráni, môže spôsobiť poškodenie prístroja. Informácie, ktoré vyžadujú zvýšenú pozornosť.

Výstražné štítky

Preštudujte si všetky nálepky a značky, ktoré sa nachádzajú na zariadení. Pri nedodržaní pokynov na nich hrozí poranenie osôb alebo poškodenie prístroja. Symbol na prístroji je vysvetlený v príručke s bezpečnostnými pokynmi.

	Tento symbol na prístroji upozorňuje na prevádzkovú alebo bezpečnostnú informáciu v príručke s pokynmi.
	Tento symbol indikuje, že hrozí riziko zásahu elektrickým prúdom a/alebo možnosť usmrtenia elektrickým prúdom.
	Tento symbol indikuje prítomnosť zariadení citlivých na elektrostatické výboje (ESD) a upozorňuje na to, že je potrebné postupovať opatrne, aby sa vybavenie nepoškodilo.
	Elektrické zariadenie označené týmto symbolom sa po 12. auguste 2005 nesmie likvidovať v európskych verejných systémoch likvidácie odpadov. V súlade s európskymi miestnymi a národnými predpismi (smernica EÚ 2002/96/ES) európski používatelia elektrických zariadení teraz musia vracať staré a opotrebované zariadenia výrobcovi na likvidáciu, za ktorú sa používateľovi neúčtujú žiadne poplatky.

Certifikáty

Kanadská smernica o zariadeniach spôsobujúcich elektromagnetické rušenie, IEC5-003, Trieda A

Príslušné protokoly zo skúšok sú uchovávané u výrobcu zariadenia.

Tento digitálny prístroj Triedy A vyhovuje všetkým požiadavkám Kanadskej smernice o zariadeniach spôsobujúcich elektromagnetické rušenie.

Cet appareil numérique de classe A répond à toutes les exigences de la réglementation canadienne sur les équipements provoquant des interférences.

Obmedzenia podľa smernice FCC, Časť 15, Trieda „A“

Príslušné protokoly zo skúšok sú uchovávané u výrobcu zariadenia. Toto zariadenie vyhovuje požiadavkám Časti 15 smernice FCC. Používanie zariadenia podlieha nasledujúcim podmienkam:

1. Zariadenie nesmie spôsobovať elektromagnetické rušenie.
2. Toto zariadenie musí byť schopné prijať akékoľvek rušenie, vrátane takého, ktoré môže spôsobiť nežiadajú prevádzku.

V dôsledku zmien alebo úprav na tomto zariadení vykonaných bez výslovného schválenia organizáciou zodpovednou za posúdenie zhody môže používateľ stratiť oprávnenie prevádzkovať toto zariadenie. Skúškou bolo potvrdené, že toto zariadenie vyhovuje obmedzeniam pre digitálne zariadenia Triedy A, podľa Časti 15 smernice FCC. Tieto obmedzenia sú určené na zabezpečenie primeranej miery ochrany proti elektromagnetickému rušeniu pri prevádzke zariadenia v priemyselnom prostredí. Toto zariadenie vytvára, využíva a môže vyžarovať energiu v pásme rádiových frekvencií a v prípade, ak nie je nainštalované a používané v súlade s návodom na obsluhu, môže spôsobovať rušenie rádiovkej komunikácie. Pri používaní tohto zariadenia v obytnej zóne je vysoká pravdepodobnosť, že dôjde k takémuto rušeniu. V takom prípade je používateľ zariadenia povinný obmedziť elektromagnetické rušenie na vlastné náklady. Pri odstraňovaní problémov s elektromagnetickým rušením možno použiť nasledujúce postupy:

1. Odpojte zariadenie od zdroja napájania a overte, či je skutočne zdrojom elektromagnetického rušenia.
2. Ak je zariadenie pripojené k tej istej zásuvke ako zariadenie zasiahnuté rušením, pripojte ho k inej zásuvke.
3. Presuňte zariadenie ďalej od zariadenia zasiahnutého rušením.

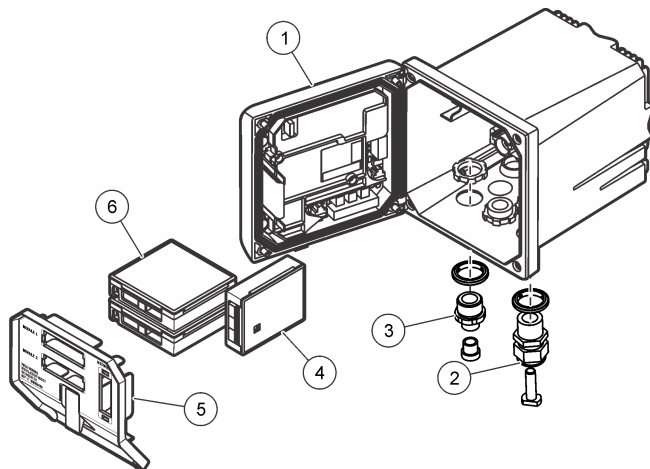
4. Zmeňte polohu prijímacej antény na zariadení zasiahnutom rušením.
5. Skúste kombináciu vyššie uvedených postupov.

Prehľad zariadenia

Kontrolér zobrazuje namerané hodnoty zo snímačov a ďalšie údaje, dokáže vysielat' analógové a digitálne signály a dokáže spolupracovať a riadiť iné zariadenia prostredníctvom výstupov a relé. Na konfiguráciu a kalibráciu výstupov, relé, snímačov a modulov snímačov slúži používateľské rozhranie na prednej strane kontroléra.

Obrázok 1 zobrazuje súčasti zariadenia. Jednotlivé súčasti sa môžu líšiť v závislosti od danej konfigurácie kontroléra. V prípade poškodených alebo chýbajúcich súčasti sa obráťte na výrobcu zariadenia.

Obrázok 1 Súčasti systému



1 Kontrolér	4 Sieťový modul (voliteľný)
2 Zostava prechodky (voliteľná v závislosti od verzie kontroléra)	5 Oddelujúca priečka vysokého napätia
3 Upevnenie digitálnej prípojky (voliteľne v závislosti od verzie kontroléra)	6 Moduly snímačov (voliteľné)

Snímače a moduly snímačov

Kontrolér dokáže pracovať s maximálne dvomi modulmi snímačov alebo dvomi digitálnymi snímačmi (v závislosti od danej konfigurácie kontroléra), spolu s jedným komunikačným modulom. Môže byť použitá aj kombinácia jedného digitálneho snímača a jedného modulu snímača. K modulom kontroléra možno pripojiť širokú škálu snímačov. Informácie o pripojení snímačov sú uvedené v návode na použitie konkrétneho snímača a v pokynoch pre používateľa konkrétneho modulu.

Relé, výstupy a signály

Kontrolér má štyri konfigurovateľné relé spínače a dva analógové výstupy. Pomocou voliteľného analógového výstupného modulu je možné zvýšiť počet analógových výstupov až na päť.

Vyhľadávanie pripojených zariadení

Po zapnutí napájania vykoná kontrolér, až na dve výnimky, automatické vyhľadávanie pripojených zariadení, a to bez zásahu používateľa. Prvú výnimku predstavuje prvé zapnutie kontroléra pri jeho prvom použití. Druhú výnimku predstavuje zapnutie kontroléra po obnovení jeho predvolených konfiguračných hodnôt. V oboch prípadoch kontrolér zobrazí najprv obrazovky nastavenia jazyka, dátumu a času. Po prijatí nastavení jazyka, dátumu a času vykoná kontrolér vyhľadávanie pripojených zariadení. Pokyny ku skenovaniu pomocou zariadení so zapnutým kontrolérom nájdete v časti [Pripojenie digitálneho snímača sc](#) na strane 497.

Kryt kontroléra

Kryt kontroléra spadá do kategórie NEMA 4X/IP66. Jeho protikorózna povrchová úprava dokáže odolávať korozívnym vplyvom prostredia, ako je napr. pôsobenie soli a sírovodíka. Ochrana pred poškodením vplyvom prostredia je odporúčaná hlavne pri použití vo vonkajšom prostredí.

Poznámka: Jednotky, ktoré majú certifikáciu Underwriters Laboratories (UL) sú určené len na používanie v interiéri a nemajú hodnotenie NEMA 4X/IP66.

Možnosti inštalácie kontroléra

Kontrolér možno nainštalovať na panel, stenu alebo na zvislú či vodorovnú rúru. K dispozícii je neoprénové tesnenie, ktoré slúži na potlačenie vibrácií. Pri montáži na panel je pred oddelením vnútorného tesnenia možné použiť toto tesnenie ako šablónu.

Inštalácia

Inštaláčne komponenty a rozmery

▲ UPOZORNENIE

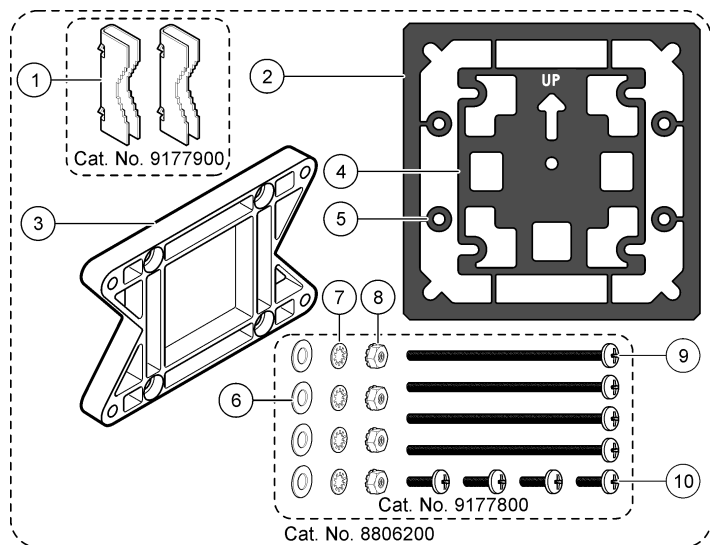
Nebezpečenstvo poranenia osôb. Úkony uvedené v tejto časti návodu na použitie smú vykonávať iba kvalifikované osoby.

Kontrolér je možné inštalovať na hladine, na panel alebo na potrubie (horizontálne alebo vertikálne). Možnosti inštalácie a postup pri inštalácii nájdete na [Obrázok 2](#), [Obrázok 3](#) na strane 485, [Obrázok 4](#) na strane 486, [Obrázok 5](#) na strane 487 a [Obrázok 6](#) na strane 488.

Pri inštalácii na zvislú rúru treba montážne pätky ([Obrázok 2](#)) pripevniť k nosnému držiaku vo zvislej polohe.

Pri oboch spôsoboch inštalácie na rúry pripevnite ku kontroléru montážny držiak podľa [Obrázok 5](#) na strane 487.

Obrázok 2 Inštalčné komponenty

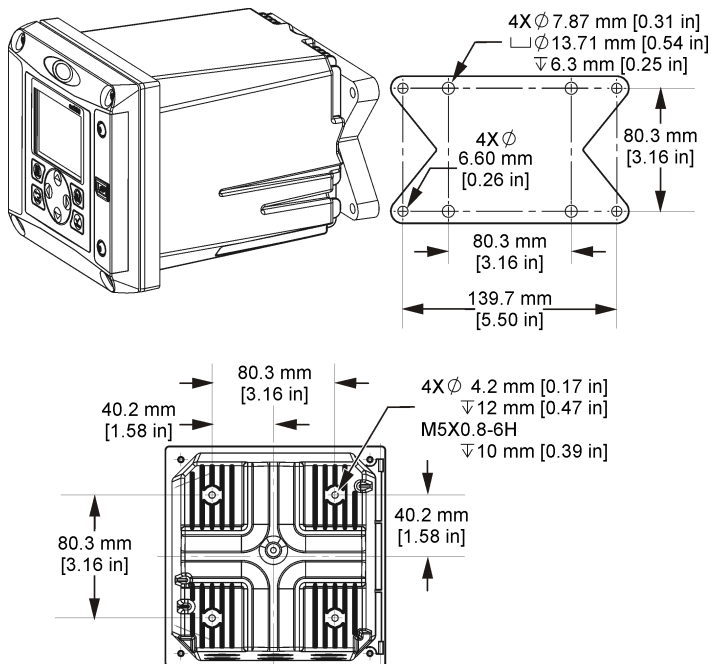


1 Montážna pätká (2x)	6 Plochá podložka, vnútorný priemer ¼ palca (4x)
2 Tesnenie pre inštaláciu na panel, neoprén	7 Vejáróvá podložka, vnútorný priemer ¼ palca (4x)
3 Držiak pre inštaláciu na stenu a rúru	8 Šesťhranná matica s nalisovanou vejáróvou podložkou M5 x 0,8 (4x)
4 Tesnenie na tlmenie vibrácií, pre inštaláciu na rúru	9 Skrutky s polguľovou hlavou a krížovou drážkou, M5 x 0,8 x 100 mm (4x) (Určené pre inštaláciu na rúry rôznych priemerov.)
5 Podložka na tlmenie vibrácií, pre inštaláciu na rúru (4x)	10 Skrutky s polguľovou hlavou a krížovou drážkou, M5 x 0,8 x 15 mm (4x)

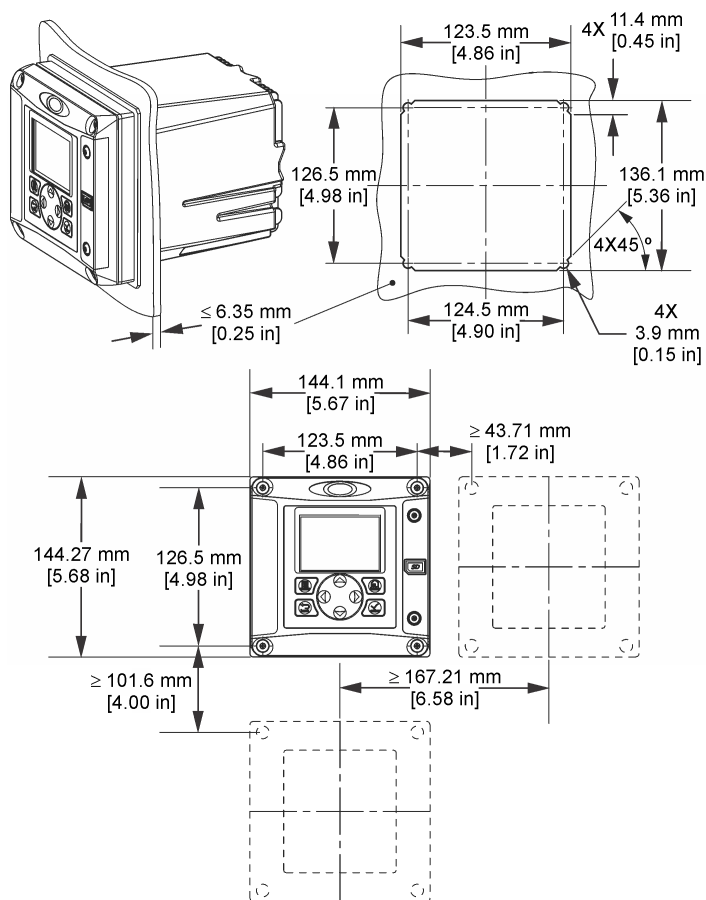
Poznámka: Držiak na montáž panela je dostupný ako voľiteľné príslušenstvo.

Montáž kontroléra

Obrázok 3 Rozmery pri montáži na hladinu

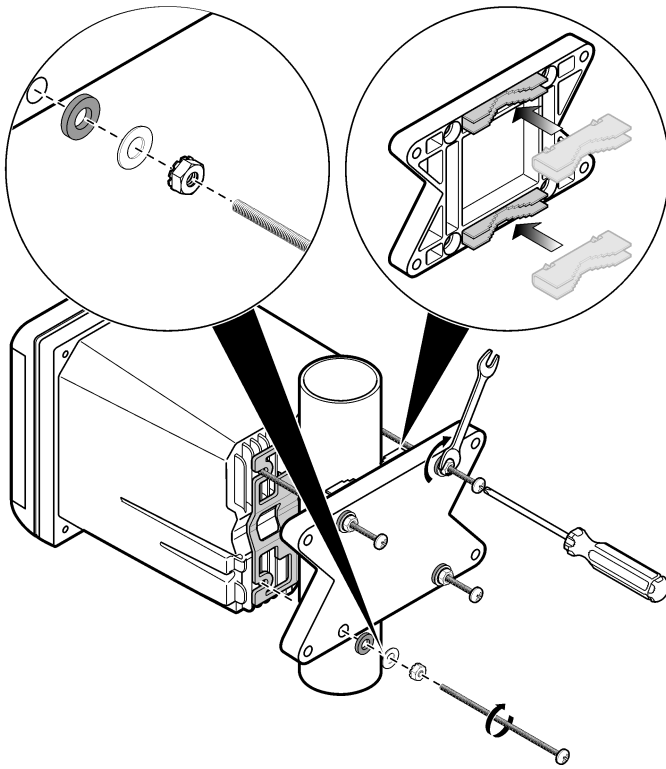


Obrázok 4 Rozmery pri montáži na panel

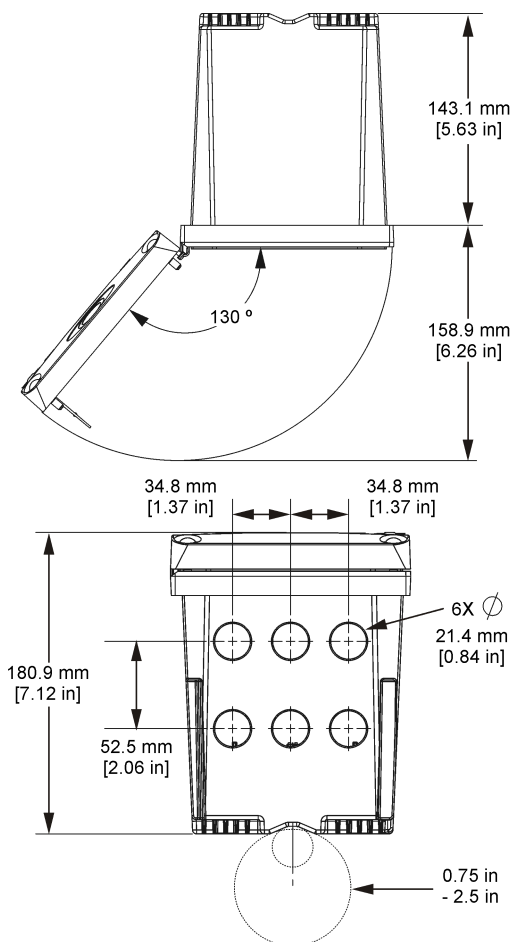


Poznámka: Ak používate na montáž panela držiak (voliteľné), pretlačte kontrolér cez otvor v paneli a následne posuňte držiak cez kontrolér na zadnej strane panela. Na pripevnenie držiaka ku kontroléru použite štyri 15 mm skrutky s polgulovou hlavou a krížovou drážkou (dodané) a upevnite kontrolér k panelu.

Obrázok 5 Montáž na potrubie (vertikálne potrubie)



Obrázok 6 Pohľad zvrchu a zospodku



Oddelujúca priečka vysokého napätia

Vysokonapäťová kabeláž kontroléra sa nachádza za priečkou oddelujúcou vysoké napätie v skrinke kontroléra. Táto priečka musí zostať na svojom mieste, s výnimkou inštalácie modulov, alebo keď kvalifikovaný technik zapája vodiče pre napájanie, výstrahy, výstupy alebo relé. Pred odstránením priečky vždy odpojte kontrolér od napájania.

Upozornenia na elektrostatické výboje (ESD)

POZNAMKA



Nebezpečenstvo poškodenia zariadenia. Elektrostatický výboj môže poškodiť jemné elektronické súčiastky vo vnútri zariadenia a spôsobiť tak jeho obmedzenú funkčnosť alebo poruchu.

Aby ste predišli poškodeniu prístroja elektrostatickými výbojmi, postupujte podľa krokov tohto postupu:

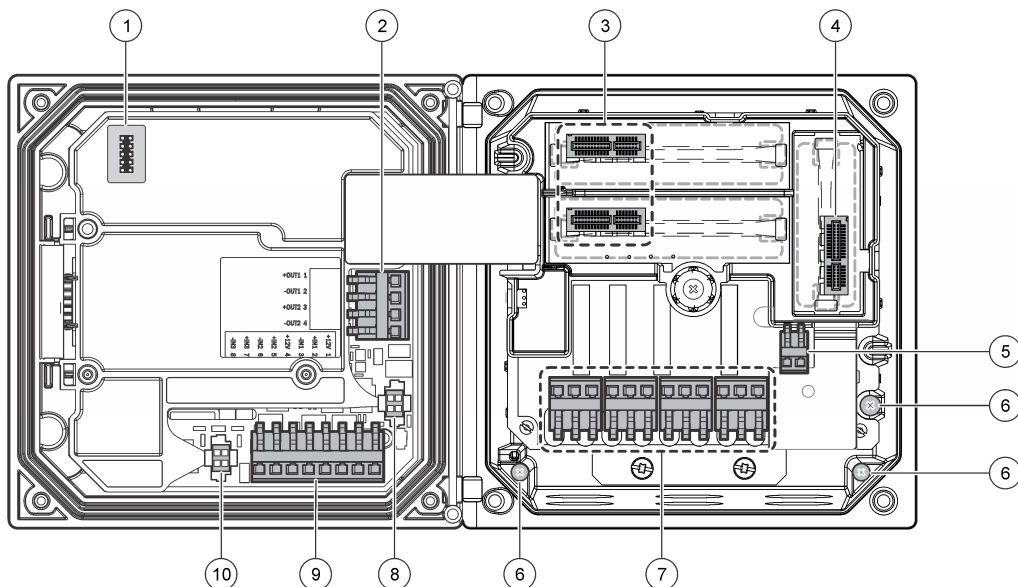
- Dotknite sa uzemneného kovového povrchu, ako je napríklad kostra prístroja, kovová trubička alebo rúra, aby ste vybili statickú elektrinu z telesa prístroja.
- Vyhýbajte sa nadmernému pohybu. Premiestňujte staticky citlivé súčasti v antistatických nádobách alebo baleniach.
- Majte nasadené zápalné pútko pripojené káblom k uzemneniu.
- Pracujte v staticky bezpečnom prostredí s antistatickým podlahovým čalúnením a čalúnením na pracovných stoloch.

Prehľad elektrického zapojenia

Na **Obrázok 7** je prehľad elektrického zapojenia vo vnútri kontroléra, pri vybratej oddeľujúcej priečke vysokého napätia. Ľavá strana obrázka predstavuje zadnú stranu krytu kontroléra.

Poznámka: Pred inštaláciou modulu odstráňte zátky z konektorov.

Obrázok 7 Prehľad elektrického zapojenia



1 Konektor servisného kábla	5 Konektor striedavého a jednosmerného napájania ¹	9 Elektrický konektor diskretného vstupu ¹
2 Výstup 4 – 20 mA ¹	6 Zemniace svorky	10 Konektor digitálneho snímača ¹
3 Konektor modulu snímača	7 Svorkovnice relé ¹	
4 Konektor komunikačného modulu (napr. Modbus, Profibus, HART, voliteľný modul 4 – 20 mA a pod.)	8 Konektor digitálneho snímača ¹	

¹ Svorky možno odstrániť pre jednoduchší prístup.

Zapojenie napájacích vodičov

⚠ VAROVANIE



Nebezpečenstvo smrteľného úrazu elektrickým prúdom. Pred prácou na elektrických pripojeniach vždy odpojte zariadenie od napájania.

⚠ V A R O V A N I E



Nebezpečenstvo smrteľného úrazu elektrickým prúdom. Pri použití zariadenia vo vonkajších priestoroch alebo v priestoroch s možnosťou zvýšenej vlhkosti musí byť na pripojenie zariadenia k elektrickému rozvodu použitý **prúdový chránič**.

⚠ N E B E Z P E Č I E



Nebezpečenstvo usmrtenia elektrickým prúdom. Modely určené pre napájanie jednosmerným prúdom s napätím 24 V v žiadnom prípade nepripájajte k napájaniu striedavým prúdom.

⚠ V A R O V A N I E



Nebezpečenstvo smrteľného úrazu elektrickým prúdom. Pre obe verzie napájania, pomocou striedavého prúdu s napätím 100 – 240 V aj jednosmerným prúdom s napätím 24 V, je potrebné použiť ochranný uzemňovací vodič (PES). Pri absencii kvalitného ochranného uzemňovacieho pripojenia (PE) hrozí nebezpečenstvo úrazu elektrickým prúdom alebo nesprávna funkčnosť zariadenia v dôsledku elektromagnetického rušenia. **VŽDY** pripojte kvalitný uzemňovací vodič PE k príslušnej svorkе zariadenia.

P O Z N Á M K A

Zariadenie montujte v takej polohe, ktorá poskytuje jednoduchý prístup k zariadeniu pri jeho vypínaní aj obsluhu.

Kontrolér sa dodáva v dvoch modeloch – pre napájanie 100 – 240 V stried. alebo pre napájanie 24 V jednosm. Pri pripájaní napájacích vodičov postupujte podľa pokynov pre príslušný model.

Kontrolér možno pripojiť k napájaciemu rozvodu prostredníctvom pevného pripojenia v žľabe alebo prostredníctvom napájacieho kábla. Bez ohľadu na spôsob pripojenia, používajú sa vždy tie isté svorky. Pre všetky typy inštalácií je potrebné nainštalovať lokálny odpojovač, ktorý spĺňa požiadavky národných elektrotechnických predpisov. Pri pevnom pripojení zariadenia musia mať napájacie aj ochranné vodiče prierez AWG 18 až 12.

Poznámky:

- Pred prácou na elektrických pripojeniach treba odstrániť oddeľujúcu priečku vysokého napätia. Pred uzavretím krytu kontroléra po dokončení prác na elektrických pripojeniach treba priečku oddeľujúcu vysoké napätie založiť späť na miesto.
- Na zabezpečenie požiadaviek ochrany stupňa NEMA 4X/IP66 možno použiť tesniacu priechodku a napájací kábel s dĺžkou menej než 3 m (10 stôp), s tromi vodičmi prierezu AWG 18 (vrátane bezpečnostného zemniaceho vodiča).
- Kontroléry možno objednať s predinštalovaným sieťovým napájacím káblom. Objednať možno aj prídavný sieťový napájací kábel.
- Jednosmerný napájací zdroj kontroléra určeného pre napájanie 24 V jednosm. musí udržať výstupné napätie v rozsahu 24 V -15 % +20 %. Jednosmerný napájací zdroj musí tiež zabezpečovať adekvátnu ochranu pred prepätím a kolísaním napätia v sieti.

Postup pri pripájaní napájacích vodičov

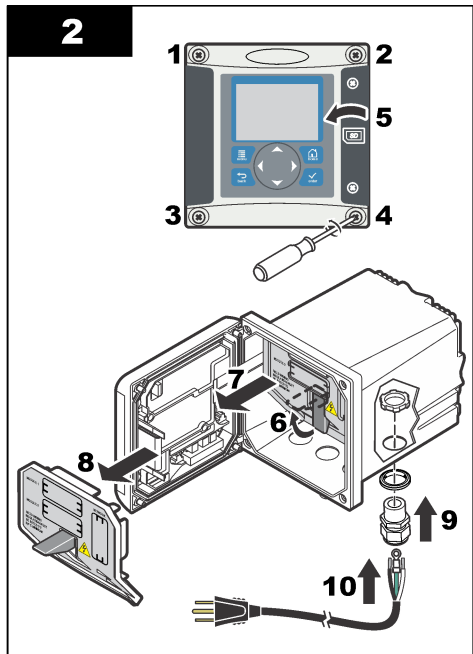
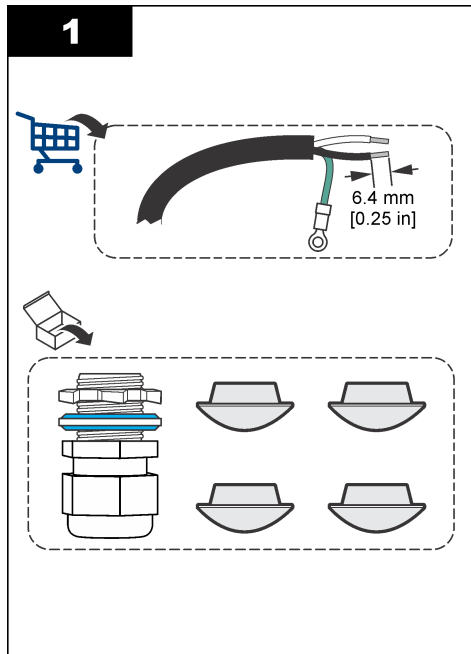
Pri zapájaní kontroléra do napájania sa riadte nasledujúcimi ilustrovanými krokmi a [Tabuľka 1](#) alebo [Tabuľka 2](#). Vodiče zasuňte do príslušných svoriek až po izoláciu tak, aby žiadna odizolovaná časť vodiča nebola voľne prístupná. Po zasunutí vodiče jemne potiahnite, aby ste sa ubezpečili, že je pripojenie zabezpečené. Nepoužívané priechodzie otvory na vodiče v skrinke kontroléra uzavrite tesniacimi zátkami.

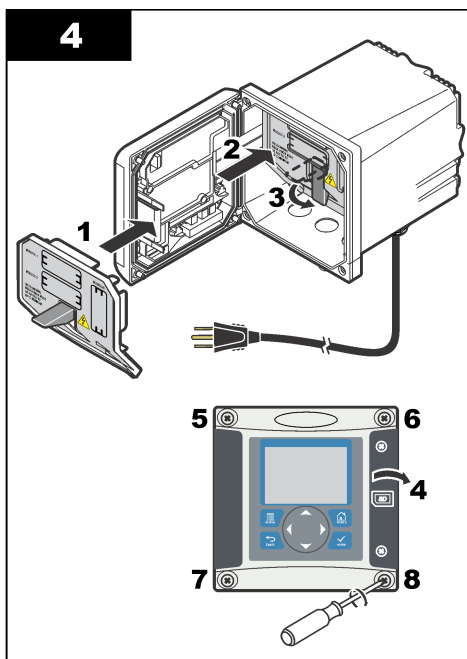
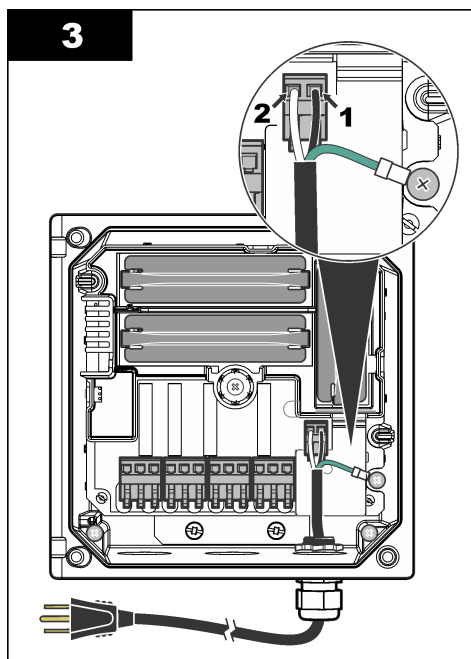
Tabuľka 1 Informácie o pripojení striedavého napätia (iba pre modely napájané striedavým napätím)

Kontakt	Popis	Farba – Severná Amerika	Farba – EÚ
1	Fázový vodič (L1)	Čierne	Hnedý
2	Nulovací vodič (N)	Biely	Modrý
—	Ochranný zemniaci vodič (PE)	Zelená	Zelená so žltým pruhom

Tabuľka 2 Informácie o pripojení jednosmerného napätia (iba pre modely napájané jednosmerným napätím)

Kontakt	Popis	Farba – Severná Amerika	Farba – EÚ
1	+24 V DC	Červený	Červený
2	24 V DC späť.	Čierny	Čierny
—	Ochranný zemiaci vodič (PE)	Zelená	Zelená so žltým pruhom





Signalizácia a relé

Kontrolér je vybavený štyrmi jedno-pólovými relé bez napájania. Tieto relé sú určené pre 100 – 250 V stried., 50/60 Hz, max. 5 A do odporovej záťaže. Na kontroléroch napájaných striedavým napätím sú kontakty určené pre 250 V stried., max. 5 A do odporovej záťaže. Na kontroléroch napájaných jednosmerným napätím sú kontakty určené pre 24 V jednosm., max. 5 A do odporovej záťaže. Relé nie sú určené pre indukčnú záťaž.

Zapojenie relé

⚠ V ARO V A N I E



Nebezpečenstvo smrteľného úrazu elektrickým prúdom. Pred prácou na elektrických pripojeniach vždy odpojte zariadenie od napájania.

⚠ V A RO V A N I E



Nebezpečenstvo vzniku požiaru. Kontakty relé sú určené pre max. prúdové zaťaženie 5 A a nie sú žiadnym spôsobom istené. Externá záťaž pripojená k relé musí zahŕňať aj zariadenie na obmedzenie prúdu na max. hodnotu 5 A.

⚠ V A RO V A N I E



Nebezpečenstvo vzniku požiaru. Spoločné svorky relé ani prepájovacie vodiče z prívodu napájania nezapájajte vo vnútri zariadenia do uzavretého cyklu.

⚠ V A RO V A N I E



Nebezpečenstvo smrteľného úrazu elektrickým prúdom. Aby nedošlo k narušeniu stupňa ochrany NEMA/IP, na prívodoch káblov do zariadenia používajte výhradne konektory a prechodky so stupňom ochrany minimálne NEMA 4X/IP66.

Kontroléry napájané striedavým napätím (100 – 250 V)

Prepojovacia časť nie je určená pre napätia vyššie než 250 V stried.

Kontroléry napájané jednosmerným napätím (24 V)

⚠ V A R O V A N I E



Nebezpečenstvo smrteľného úrazu elektrickým prúdom. Kontroléry napájané striedavým napätím (115 V– 230 V) sú určené na pripojenie pomocou relé do obvodov striedavého napätia (t.j. s napätím vyšším než 16 V efektívnej hodnoty, 22,6 V-PEAK alebo 35 V jednosm.).

⚠ V A R O V A N I E



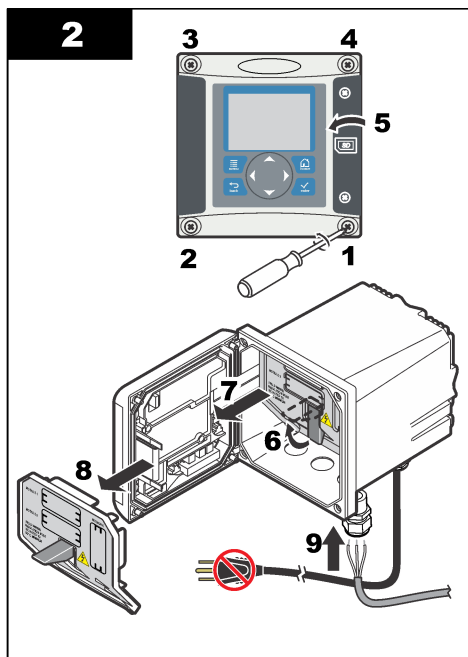
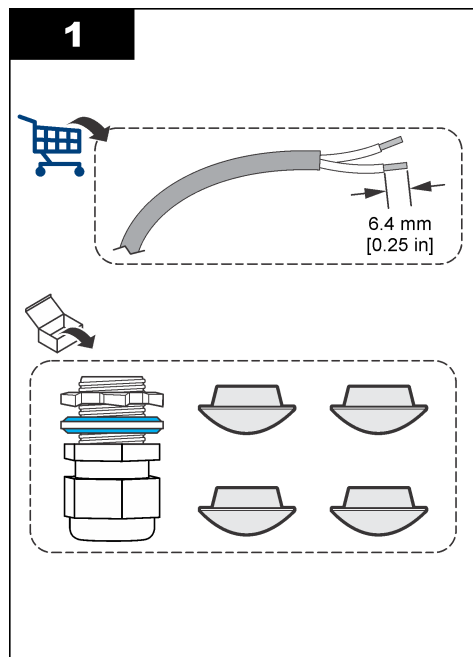
Nebezpečenstvo smrteľného úrazu elektrickým prúdom. Kontroléry napájané napätím 24 V sú určené na pripojenie pomocou relé do obvodov nízkeho napätia (t.j. s napätím do 16 V efektívnej hodnoty, 22,6 V-PEAK alebo 35 V jednosm.).

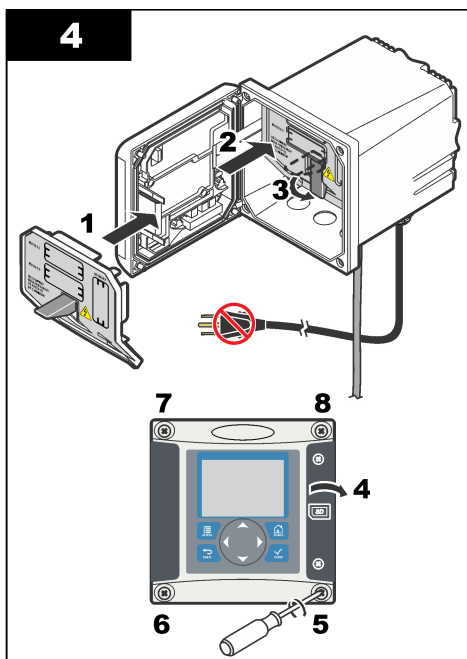
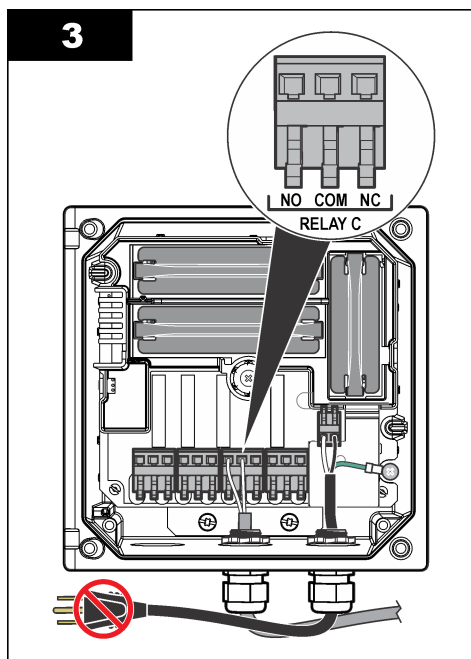
Relé kontrolérov napájané napätím 24 V jednosm. sú určené na pripojenie k obvodom s nízkym napätím (t. j. obvodom s napätím do 30 V efektívnej hodnoty, 42,2 V-PEAK alebo 60 V jednosm.). Prepojovacia časť nie je učená pre napätia vyššie ako uvedené hodnoty.

Do svorkovnic relé je možné zasunúť vodiče s prierezom AWG 18 – 12 (podľa aplikácie záťaže). Vodiče s menšou mierou než 18 AWG sa neodporúča používať.

Kontakty relé COM (spoločný) a NO (normálne otvorený) budú spojené, ak je výstraha prípadne iná podmienka aktívna. Kontakty relé COM (spoločný) a NC (normálne zatvorený) budú spojené, ak je výstraha alebo iná podmienka neaktívna (pokiaľ nie je bezpečný stav nastavený na Áno), alebo ak je odpojené napájanie kontroléra.

Väčšina aplikácií relé využíva kombináciu kontaktov NO a COM alebo NC a COM. Nasledujúci postup s číslanými pokynmi znázorňuje postup pri pripájaní kontaktov NO a COM.





Analógové výstupné pripojenia

⚠ VAROVANIE



Nebezpečenstvo smrteľného úrazu elektrickým prúdom. Pred prácou na elektrických pripojeniach vždy odpojte zariadenie od napájania.

⚠ VAROVANIE



Nebezpečenstvo smrteľného úrazu elektrickým prúdom. Aby nedošlo k narušeniu stupňa ochrany NEMA/IP, na prívodoch káblov do zariadenia používajte výhradne konektory a prechodky so stupňom ochrany minimálne NEMA 4X/IP66.

K dispozícii sú dva izolované analógové výstupy (1 a 2) (Obrázok 8). Tieto výstupy sa bežne používajú na analógovú signalizáciu a na ovládanie ďalších externých zariadení.

Pri pripájaní vodičov ku kontroléru postupujte podľa Obrázok 8 a Tabuľka 3.

Poznámka: Obrázok 8 zobrazuje zadnú stranu krytu kontroléra, a nie vnútro skrinky hlavného kontroléra.

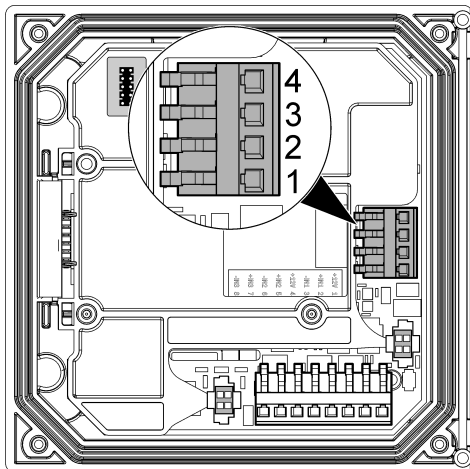
Tabuľka 3 Výstupné pripojenia

Označenie vodiča	Poloha na obvodovej doske
Výstup 2–	4
Výstup 2+	3
Výstup 1–	2
Výstup 1+	1

- Otvorte kryt kontroléra.
- Vodiče prevedte cez prechodku.
- Podľa potreby nastavte dĺžku kábla a dotiahnite prechodku.

4. Na vytváranie pripojení používajte tienenu krútenú dvojlinku. Tienenie pripojte na strane ovládaného obvodu alebo na strane regulačnej slučky.
 - Tienenie nepripájajte na oboch koncoch kábla.
 - Použitie netieneného kábla môže mať za následok vyžarovanie v oblasti rádiových frekvencií alebo príliš vysokú úroveň citlivosti.
 - Maximálny odpor slučky je 500 Ohmov.
5. Zatvorte kryt kontroléra a dotiahnite skrutky na kryte.
6. Nakonfigurujte výstupy v kontroléri.

Obrázok 8 Analógové výstupné pripojenia



Elektrické zapojenie diskretného vstupu

⚠ VAROVANIE



Nebezpečenstvo smrteľného úrazu elektrickým prúdom. Pred prácou na elektrických pripojeniach vždy odpojte zariadenie od napájania.

⚠ VAROVANIE

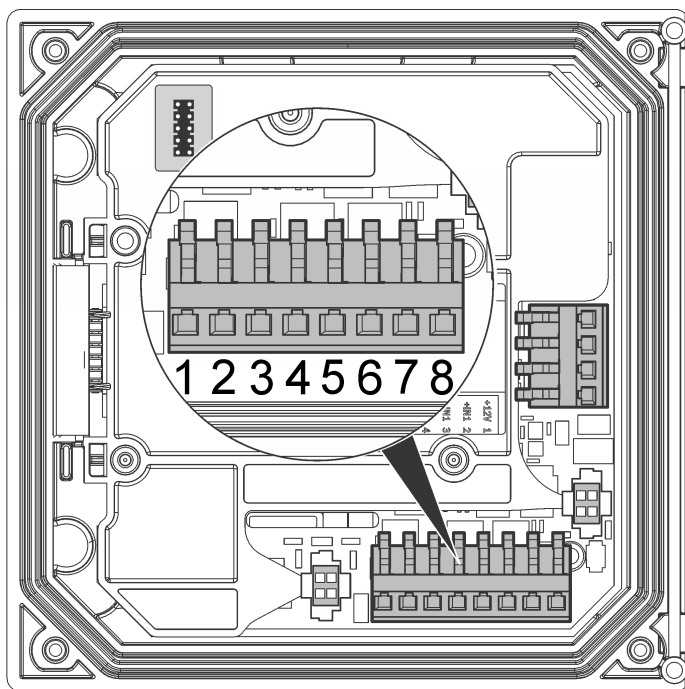


Nebezpečenstvo smrteľného úrazu elektrickým prúdom. Aby nedošlo k narušeniu stupňa ochrany NEMA/IP, na prívodoch káblov do zariadenia používajte výhradne konektory a priechodky so stupňom ochrany minimálne NEMA 4X/IP66.

Pre vstupy prepínača uzatvárania alebo pre vstupy napätia logickej úrovne sú dostupné tri diskretné vstupy. Zapojte elektrické rozvody a nakonfigurujte nastavenia prepojky na kontroléri, ako je zobrazené na [Obrázok 9](#), [Tabuľka 4](#) a [Obrázok 10](#).

Poznámka: [Obrázok 9](#) zobrazuje zadnú stranu krytu kontroléra, a nie vnútro skrinky hlavného kontroléra.

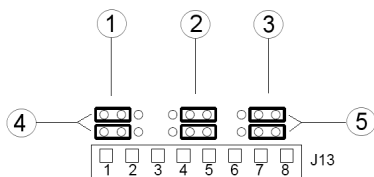
Obrázok 9 Elektrické zapojenia diskretného vstupu



Tabuľka 4 Zapojenia vstupu

Diskrétny vstup	Poloha konektora – vstup prepínača	Poloha konektora – vstup napätia
Vstup 1+	3	2
Vstup 1-	2	3
Vstup 2+	6	5
Vstup 2-	5	6
Vstup 3+	8	7
Vstup 3-	7	8

Obrázok 10 Nastavenia prepojky



1 Konfiguračné prepójky vstupu 1	4 Prepójky umiestnené vľavo pre vstupy prepínača
2 Konfiguračné prepójky vstupu 2	5 Prepójky umiestnené vpravo pre vstupy napätia
3 Konfiguračné prepójky vstupu 3	

1. Otvorte kryt kontroléra.
2. Vedte káble cez káblovú priechodku.
3. Podľa potreby nastavte dĺžku kábla a dotiahnite káblovú priechodku.
4. Prepójky sú umiestnené bezprostredne za konektorom. Odstráňte konektor pre lepší prístup k prepójkám a nakonfigurujte nastavenia prepójky podľa typu vstupu, ako je zobrazené na [Obrázok 10](#).
5. Zatvorte kryt kontroléra a dotiahnite skrutky na kryte.
6. Nakonfigurujte vstupy v kontroléri.

Poznámka: V režime **vstupu prepínača** dodáva kontrolér prepínaču napätie 12 V a nie je od kontroléra izolovaný. V režime **vstupu napätia** sú vstupy od kontroléra izolované (vstupné napätie od 0 do 30 V).

Pripojenie digitálneho snímača sc

Poznámka: Postup pri pripájaní analógového snímača nájdete v pokynoch dodávaných v module alebo v návode na obsluhu snímača.

Na pripojenie digitálneho snímača sc ku kontroléru slúži rýchlokonektor [Obrázok 11](#). Pri pripájaní digitálneho snímača môže byť kontrolér zapnutý alebo aj vypnutý.

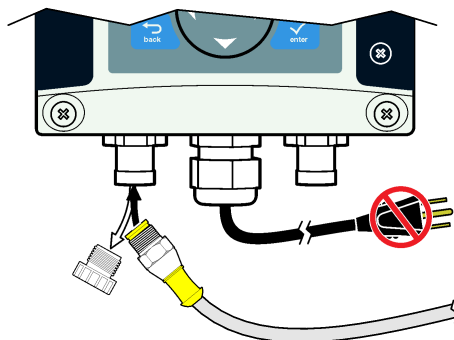
Ak je pri pripájaní digitálneho snímača kontrolér zapnutý, nevykoná vyhľadávanie zariadení automaticky. Aby kontrolér vyhľadal pripojené zariadenia, prejdite do ponuky Test/Maintenance (Test/Údržba) a zvolte položku Scan Devices (Vyhľadať zariadenia). Po nájdení nového zariadenia kontrolér vykoná jeho automatickú inštaláciu, bez potreby ďalšieho zásahu zo strany používateľa.

Ak je pri pripájaní digitálneho snímača kontrolér vypnutý, po zapnutí napájania kontrolér automaticky vykoná vyhľadávanie pripojených zariadení. Po nájdení nového zariadenia kontrolér vykoná jeho automatickú inštaláciu, bez potreby ďalšieho zásahu zo strany používateľa.

Kryt konektora si odložte na neskoršie uzatvorenie konektora v prípade, že snímač odpojíte.

Obrázok 11 Rýchle pripojenie digitálneho snímača.

1.



Pripojenie voliteľného výstupu pre digitálnu komunikáciu

Výrobca zariadenia podporuje komunikačné protokoly Modbus RS485, Modbus RS232, Profibus DPV1 a HART. Voliteľný výstup pre digitálnu komunikáciu sa inštaluje do oblasti, ktorá je na [Obrázok 7](#) na strane 489 označená položkou 4. Podrobnejšie informácie nájdete v pokynoch dodávaných so sieťovým modulom.

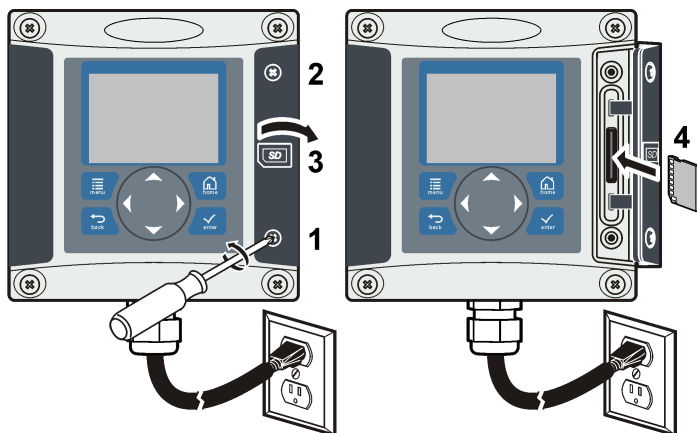
Ak potrebujete bližšie informácie ohľadne registrov Modbus, prejdite na stránku <http://www.hach-lange.com> alebo <http://www.hach.com> a vyhľadajte *Modbus registers* (registre Modbus) alebo prejdite na akúkoľvek produktovú stránku kontroléra sc200.

Inštalácia pamäťovej karty Secure Digital (SD)

Pokyny na inštaláciu pamäťovej karty SD do kontroléra nájdete na [Obrázok 12](#). Informácie o používaní pamäťovej karty SD nájdete v rozšírenej verzii tejto príručky.

Pri vyberaní pamäťovej karty SD zatlačte na hranu karty, potom kartu potiahnite smerom hore a von zo zásuvky. Po vybratí pamäťovej karty zatvorte kryt zásuvky a dotiahnite skrutky na kryte.

Obrázok 12 Inštalácia pamäťovej karty SD

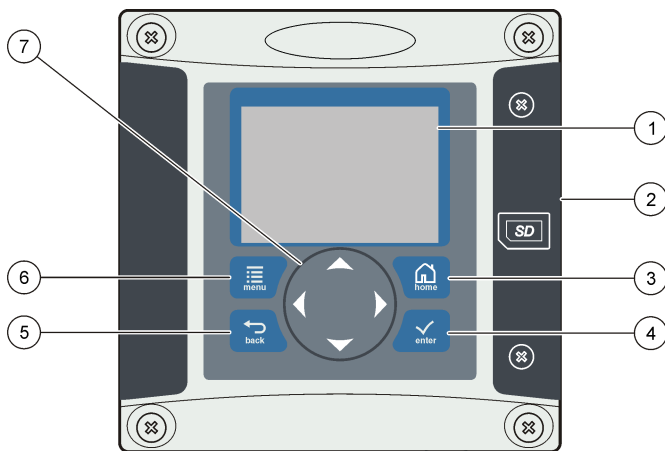


Užívateľské rozhranie a navigácia

Používateľské rozhranie

Klávesnica pozostáva zo štyroch tlačidiel na ovládanie ponúk a štyroch navigačných tlačidiel, ako je zobrazené na [Obrázok 13](#).

Obrázok 13 Pohľad na klávesnicu a predný panel



1 Displej zariadenia	5 Tlačidlo BACK (Späť) . návrat späť o jednu úroveň v štruktúre ponuky.
2 Kryt zásuvky pre pamäťovú kartu SD	6 Tlačidlo MENU (Ponuka) . Z rôznych obrazoviek a ponúk prepne späť na hlavnú obrazovku merania.
3 Tlačidlo HOME (Domov) . Z rôznych obrazoviek a ponúk prepne späť na hlavnú obrazovku merania.	7 Navigačné tlačidlá. Slúžia na pohyb v ponukách, zmenu nastavení a zvyšovanie, resp. znižovanie číselných hodnôt.
4 Tlačidlo ENTER (Potvrdiť) . Potvrdenie zadanej hodnoty, aktualizácie alebo označenej možnosti v ponuke.	

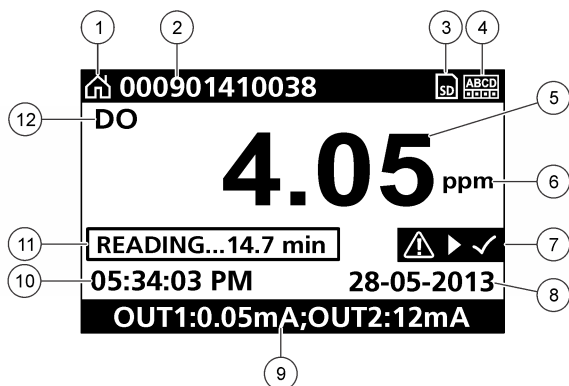
Prostredníctvom klávesnice a displeja na prednom paneli možno nastavovať a konfigurovať vstupy a výstupy zariadenia. Toto používateľské rozhranie slúži na nastavenie a konfiguráciu vstupov a výstupov, vytváranie informácií protokolu a vypočítavaných hodnôt a na kalibráciu snímačov. Rozhranie pre pamäťovú kartu SD slúži na zaznamenávanie dát a aktualizáciu softvéru.

Displej

[Obrázok 14](#) zobrazuje príklad hlavnej obrazovky merania v prípade, keď je ku kontroléru pripojený snímač rozpusteného kyslíka DO.

Obrazovka displeja na prednom paneli zobrazuje údaje namerané snímačom, kalibračné a konfiguračné nastavenia, chyby, výstrahy a ďalšie informácie.

Obrázok 14 Príklad hlavnej obrazovky merania



1 Ikona úvodnej obrazovky	7 Stavový riadok výstrahy
2 Názov snímača	8 Dátum
3 Ikona pamäťovej karty SD	9 Analógové výstupné hodnoty
4 Indikátor stavu relé	10 Čas
5 Meraná hodnota	11 Stavový riadok
6 Jednotka merania	12 Parameter merania

Tabuľka 5 Popis ikon

Ikona	Popis
Úvodná obrazovka	Ikona sa môže líšiť v závislosti od aktuálne zobrazenej obrazovky alebo ponuky. Napríklad ak je nainštalovaná pamäťová karta SD a používateľ sa nachádza v ponuke SD Card Setup (Nastavenia pamäťovej karty SD), na tomto mieste sa zobrazí ikona pamäťovej karty SD.
Pamäťová karta SD	Táto ikona sa zobrazí iba v prípade, ak je pamäťová karta SD zasunutá v zásuvke čítačky. Ak sa používateľ nachádza v ponuke SD Card Setup (Nastavenia pamäťovej karty SD), táto ikona sa zobrazí v ľavom hornom rohu.
Výstraha	Ikona výstrahy má tvar trojuholníka s výkričníkom. Ikona výstrahy sa zobrazí na pravej strane hlavného zobrazení pod hodnotou merania. Na zobrazenie všetkých problémov súvisiacich so zariadením stlačte kláves ENTER a následne vyberte zariadenie. Po oprave a potvrdení všetkých problémov výstražná ikona zmizne.
Chyba	Ikona chyby má tvar kruhu s výkričníkom. Keď sa vyskytne chyba, ikona chyby a obrazovka merania na hlavnom zobrazení striedavo blikajú. Na zobrazenie chýb stlačte tlačidlo MENU a zvolte Diagnostics (Diagnostika). Následne zvolte zariadenie na zobrazenie všetkých problémov súvisiacich s týmto zariadením.

Ďalšie formáty zobrazenia

- Ak chcete prepínať medzi parametrami merania, na obrazovke Main Measurement (Hlavné meranie) stlačte klávesy so šípkami **NAHOR** a **NADOL**
- Ak chcete prepnúť na rozdelené zobrazenie až 4 parametrov merania, na obrazovke Main Measurement (Hlavné meranie) stlačte kláves so šípkou **VPRAVO**. Ak chcete zahrnúť ďalšie merania, stlačte kláves so šípkou **VPRAVO**. Na návrat na obrazovku Main Measurement (Hlavné meranie) stlačte podľa potreby kláves so šípkou **VĽAVO**
- Ak chcete prepnúť na grafické zobrazenie, na obrazovke Main Measurement stlačte kláves so šípkou **VĽAVO** (ak chcete definovať parametre, pozrite si [Grafické zobrazenie](#) na strane 501). Ak chcete prepnúť grafy merania, stlačte klávesy so šípkami **NAHOR** a **NADOL**

Grafické zobrazenie

Graf zobrazuje merania koncentrácie a teploty pre každý používaný kanál. Graf ponúka jednoduché monitorovanie trendov a zobrazuje zmeny v spracovaní.

1. Ak chcete vybrať graf, na obrazovke grafického zobrazenia použite klávesy šípok nahor a nadol a stlačte kláves **HOME** (Domov).
2. Vyberte voľbu:

Voľba	Popis
MEASUREMENT VALUE (Meraná hodnota)	Nastavenie meranej hodnoty pre zvolený kanál. Vyberte z možností Auto Scale (Automatická stupnica) a Manually Scale (Manuálna stupnica). Pre manuálne nastavenie stupnice zadajte minimálne a maximálne hodnoty merania
DATE & TIME RANGE (Rozsah dátumov a času)	Z dostupných možností vyberte rozsah dátumov a času

Spustenie systému

Po prvom zapnutí zariadenia sa začnú zobrazovať obrazovky v nasledujúcom poradí: Language (Jazyk), Date Format (Formát dátumu) a Date/Time (Dátum a čas). Po nastavení týchto predvoľieb kontrolér vykoná vyhľadávanie nových zariadení a na displeji sa zobrazí hlásenie **Scanning for devices. Please wait... (Vyhľadávanie nových zariadení. Prosím, počkajte...)** Ak kontrolér nájde nejaké nové zariadenie, vykoná proces jeho inštalácie a napokon zobrazí hlavnú obrazovku merania.

Ak kontrolér pri vyhľadávaní nájde už nainštalované zariadenia bez zmeny konfigurácie, hneď po skončení vyhľadávania sa zobrazí hlavná obrazovka merania pre zariadenie na pozícii číslo jedna.

Ak nejaké zariadenie bolo odpojené od kontroléra alebo ho kontrolér pri nasledujúcom vyhľadávaní po zapnutí alebo z ponuky nenájde, na displeji sa zobrazí hlásenie **Device missing (Chýbajúce zariadenie)** a vyzve používateľa na vymazanie chýbajúceho zariadenia.

Ak k nainštalovanému analógovému modulu nie je pripojený žiaden snímač, kontrolér signalizuje chybu. Ak je nejaké zariadenie pripojené a kontrolér ho napriek tomu nenájde, postupujte podľa časti [Riešenie problémov](#) na strane 503.

Úvodné nastavenie jazyka, dátumu a času

Kontrolér zobrazí obrazovky nastavenia jazyka, dátumu a času pri prvom zapnutí alebo pri zapnutí nasledujúcom po nastavení štandardných hodnôt konfiguračných nastavení.

Po úvodnom nastavení jazyka, dátumu a času aktualizujte potrebné nastavenia kontroléra sc200 prostredníctvom ponuky Setup (Nastavenia).

1. Na obrazovke nastavenia jazyka vyberte zo zoznamu požadovaný jazyk a stlačte tlačidlo **ENTER (Potvrdiť)**. Predvoleným jazykom kontroléra je angličtina. Zvolený jazyk sa uloží. Zobrazí sa obrazovka nastavenia formátu dátumu.
2. Na obrazovke nastavenia dátumu vyberte požadovaný formát a stlačte tlačidlo **ENTER (Potvrdiť)**. Zvolený formát dátumu a času sa uloží. Potom sa zobrazí obrazovka nastavenia dátumu a času.
3. Na obrazovke nastavenia dátumu a času pomocou tlačidiel so šípkami **DOPRAVA** a **DOĽAVA** označte príslušné políčko a potom tlačidlami so šípkami **HORE** a **DOLU** upravte jeho hodnotu. Podľa potreby upravte aj ostatné políčka.
4. Stlačte tlačidlo **ENTER (Potvrdiť)**. Vykonalé zmeny sa uložia a kontrolér vykoná úvodné vyhľadávanie pripojených zariadení. Po vyhľadaní pripojených zariadení kontrolér zobrazí hlavnú obrazovku merania pre snímač na pozícii číslo jedna. Ak sa kontroléru nepodarí nájsť pripojené zariadenia, postupujte podľa časti [Riešenie problémov](#) na strane 503.

Informácie o konfigurácii kontroléra

Všeobecné informácie o možnostiach konfigurácie kontroléra sú uvedené v nasledujúcej tabuľke.

1. Z ponuky Settings (Nastavenia) sa do ponuky konfigurácie dostanete výberom položky sc200 Setup (Nastavenia sc200).

Voľba	Popis
Security setup (Nastavenie bezpečnosti)	Prispôbenie nastavení hesla.
Output setup (Nastavenia výstupov)	Konfigurácia analógových výstupov kontroléra
Nastavenie relé	Konfigurácia relé kontroléra
Display setup (Nastavenie displeja)	Konfigurácia displeja kontroléra
Set Date/Time (Nastavenia dátumu a času)	Nastavenia dátumu a času kontroléra
Datalog setup (Nastavenia protokolovania)	Nastavenia možností zaznamenávania údajov. Dostupné, len ak bola nastavená možnosť Calculation (Výpočet).
Manage Data (Správa údajov)	Zo zoznamu nainštalovaných komponentov zvolíte zariadenie na zobrazenie údajov alebo protokolu udalostí
Error Hold Mode (Ošetrovanie chyby)	Držať výstupy —Držať poslednú známu hodnotu v prípade straty komunikácie medzi snímačom a kontrolérom. Transfer Outputs (Prepnúť výstupy) —V prípade straty komunikácie medzi regulátorom a snímačom sa výstupy prepnú do preddefinovaného stavu.
Calculation (Výpočet)	Konfigurácia matematickej funkcie kontroléra
sc200 Information (Informácie o regulátore sc200)	S/W VER (Verzia softvéru) :—Zobrazí aktuálnu verziu softvéru kontroléra Bootloader VER (Verzia programu Bootloader) :—Zobrazí aktuálnu verziu zavádzacieho programu Bootloader. Bootloader je zavádzací program, ktorý do kontroléra načíta hlavný operačný systém S/N (Sér. č.) :—Zobrazí sériové číslo kontroléra Version (Verzia) :—Zobrazí aktuálnu verziu hardvéru kontroléra
Discrete Input Setup (Nastavenie diskrétného vstupu)	Konfigurácia troch kanálov diskrétného vstupu
Language (Jazyk)	Výber jazyka kontroléra.

2. Položku ponuky aktivujete tak, že ju označíte a stlačíte tlačidlo **ENTER (Potvrdiť)**.

Údržba

▲ UPOZORNENIE



Viacnásobné nebezpečenstvo. Úkony popísané v tejto časti návodu smú vykonávať iba kvalifikovaní pracovníci.

Čistenie kontroléra

▲ NEBEZPEČIE



Pred vykonávaním údržby kontrolér vždy odpojte od zdroja napájania.

Poznámka: Na čistenie ktorejkoľvek časti kontroléra nikdy nepoužívajte horľavé ani korozívne rozpúšťadlá. Použitie rozpúšťadiel by mohlo poškodiť ekologickú ochranu jednotky, čím by došlo k ukončeniu záruky.

1. Uistite sa, že je kryt kontroléra riadne uzatvorený.
2. Utrite vonkajšie časti kontroléra handričkou namočenou vo vode alebo v roztoku vody a jemného saponátu.

Riešenie problémov

Problém	Resolution (Rozlíšenie)
Prúdový výstup nedodáva žiaden prúd	Skontrolujte nastavenia prúdového výstupu.
	Otestuje signál prúdového výstupu prostredníctvom ponuky Test/Maintenance (Test/Údržba). Zadajte hodnotu prúdu a skontrolujte výstupný signál na konektoroch kontroléra.
	Obráťte sa na technickú podporu.
Nesprávne hodnoty na prúdovom výstupe	Skontrolujte nastavenia prúdového výstupu.
	Otestuje signál prúdového výstupu prostredníctvom ponuky Test/Maintenance (Test/Údržba). Zadajte hodnotu prúdu a skontrolujte výstupný signál na konektoroch kontroléra. Ak je hodnota výstupného prúdu nesprávna, vykonajte kalibráciu výstupu.
Relé sa neaktivuje	Uistite sa, že je relé riadne zapojené.
	Ak používate externé napájanie, skontrolujte, či je v poriadku vinutie relé.
	Uistite sa, že je relé správne nastavené.
	Otestujte aktiváciu relé prostredníctvom ponuky Test/Maintenance (Test/Údržba). Relé sa má aktivovať a deaktivovať podľa toho, čo je zvolené.
	Uistite sa, že kontroléra nepracuje v režime kalibrácie a že relé nie je blokované.
	Vynulujte časovač preplnenia, aby ste mali istotu, že časovač sa nenaplnil.

Problém	Resolution (Rozlíšenie)
Kontrolér nevie rozpoznať pamäťovú kartu Secure Digital (SD)	Skontrolujte správnu orientáciu pri vložení pamäťovej karty SD. Medené kontaktné plošky majú smerovať smerom k displeju kontroléra.
	Uistite sa, že je pamäťová karta SD v zásuvke úplne zasunutá a že zapadol pružinový zámok.
	Uistite sa, že je pamäťová karta SD správne naformátovaná systémom FAT32. Pamäťové karty typu MMC nie sú podporované. Pri formátovaní pamäťovej karty SD na PC postupujte podľa pokynov výrobcu pamäťovej karty.
	Uistite sa, že kapacita karty nepresahuje 32 GB.
	Uistite sa, že naozaj používate pamäťovú kartu typu SD. Iné typy kariet (napr. xSD, micro SD, mini SD) nebudú pracovať správne.
Informácie sa na pamäťovú kartu SD neukladajú alebo sa ukladajú nesprávne.	Uistite sa, že je pamäťová karta SD správne naformátovaná systémom FAT32. Pamäťové karty typu MMC nie sú podporované. Pri formátovaní pamäťovej karty SD na PC postupujte podľa pokynov výrobcu pamäťovej karty.
	Ak pamäťová karta SD už bola používaná, naformátujte ju systémom FAT32, nainštalujte kartu do kontroléra a pokúste sa prevziať súbory.
	Skúste použiť inú pamäťovú kartu SD.
Pamäťová karta SD je plná	Načítajte obsah pamäťovej karty SD pomocou počítača alebo iného zariadenia na čítanie pamäťových kariet. Uložte si dôležité súbory a potom z pamäťovej karty SD odstráňte niekoľko alebo všetky súbory.
Kontrolér nevie nájsť aktualizáciu softvéru na pamäťovej karte SD.	Skontrolujte, či sa inštaláciou pamäťovej karty SD v kontroléri vytvoril príslušný priečinok. Automaticky sa má vytvoriť aktualizčný priečinok.
	Nainštalujte SD kartu do počítača a presvedčte sa, či je aktualizčný softvér na pamäťovej karte SD uložený v správnom aktualizčnom priečinku.
	Ak tú istú pamäťovú kartu používate pre viac kontrolérov, každý kontrolér musí mať v systéme svoj vlastný aktualizčný priečinok. Skontrolujte, či sa aktualizčný softvér nachádza v priečinku určenom pre daný kontrolér.
Displej svieti, ale nezobrazujú sa na ňom žiadne znaky, prípadne sú znaky slabo viditeľné alebo rozmazané.	Nastavenie kontrastu displeja
	Uistite sa, že je z displeja odstránená ochranná fólia.
	Vyčistite vonkajšok kontroléra, vrátane obrazovky displeja.
Kontrolér sa nezapína alebo sa zapína prerušovane	Uistite sa, že je prívod striedavého napätia do kontroléra riadne ukončený.
	Uistite sa, že sú riadne zapojené napájacia svorkovnica, sieťový prívod a zásuvka.
	Obráťte sa na technickú podporu

Problém	Resolution (Rozlíšenie)
Kontrolér nedokáže rozpoznať sieťový modul alebo modul snímača	Uistite sa, že je modul riadne nainštalovaný.
	Uistite sa, že je volič modulu nastavený na správne číslo.
	Odstráňte modul snímača a nainštalujte ho na druhom analógovom konektore. Zapnite napájanie kontroléra a nechajte ho vykonať vyhľadávanie pripojených zariadení.
	Obráťte sa na technickú podporu.
Kontrolér nevie rozpoznať snímač <i>Poznámka: Príklad možnej správy na displeji: ****</i>	Ak ide o analógový snímač a príslušný modul v kontroléri je nainštalovaný, postupujte podľa pokynov k sieťovému modulu alebo modulu snímača.
	Uistite sa, že krytka zväzku káblov digitálneho konektora dolieha na vnútornú stranu zostavy dvierok a že zväzok káblov nie je poškodený.
	Ak pripájate digitálny snímač ku kontroléru prostredníctvom digitálnej ukončovacej skrinky, vlastnej spojovacej skrinky, digitálnych predlžovacích káblov alebo vlastných predlžovacích káblov, pripojte snímač priamo ku kontroléru a vykonajte vyhľadávanie pripojených zariadení. Ak kontrolér rozpozna snímač, skontrolujte, či sú správne zapojené vodiče v spojovacích skrinkách a predlžovacích kábloch.
	Uistite sa, že do kontroléra sú nainštalované len dva snímače. Aj keď sú k dispozícii dva konektory pre analógové moduly, ak sú súčasne nainštalované digitálny snímač aj obidva analógové moduly, kontrolér dokáže rozpoznať iba dve z týchto troch zariadení.
	Obráťte sa na technickú podporu
Zobrazuje sa chybové hlásenie Device Missing (Chýbajúce zariadenie)	Vykonajte vyhľadávanie pripojených zariadení prostredníctvom ponuky Test/Maintenance (Test/Udržba).
	Cyklus napájania kontroléra

Kazalo vsebine

[Specifikacije](#) na strani 506

[Splošni podatki](#) na strani 507

[Namestitev](#) na strani 510

[Uporabniški vmesnik in pomikanje](#) na strani 525

[Zagon sistema](#) na strani 527

[Vzdrževanje](#) na strani 528

[Odpravljanje težav](#) na strani 529

Dodatne informacije

Dodatne informacije so vam na voljo na spletnem mestu proizvajalca.

Specifikacije

Pridržana pravica do spremembe tehničnih podatkov brez predhodnega obvestila.

Tehnični podatki	Podrobnosti
Opis dela	Krmilnik z mikroprocesorjem in možnostjo upravljanja z meniji za krmiljenje senzorjev in prikaz izmerjenih vrednosti.
Temperatura delovanja	Od -20 do 60 °C (od -4 do 140 °F); 95 % relativna zračna vlažnost (brez kondenzata), z obremenitvijo senzorja <7 W; od -20 do 50 °C (od -4 do 104 °F) z obremenitvijo senzorja <28 W
Temperatura shranjevanja	Od -20 do 70 °C (od -4 do 158 °F); 95 % relativna zračna vlažnost (brez kondenzata)
Ohišje ¹	Kovinsko ohišje NEMA 4X/IP66, prevlečeno s protikorozijsko zaščito
Napajalne zahteve	Krmilnik z napajanjem na izmenični tok: 100–240 V (AC) ± 10 %, 50/60 Hz; moč 50 VA s 7-W obremenitvijo senzorja/omrežnega modula, 100 VA z 28-W obremenitvijo senzorja/omrežnega modula (možnost omrežne povezave s protokolom Modbus RS232/RS485, Profibus DPV1 ali HART). Krmilnik s 24 V napajanjem na enosmerni tok: 24 V (DC) – 15 %, + 20 %; moč 15 W s 7-W obremenitvijo senzorja/omrežnega modula, 40 W z 28-W obremenitvijo senzorja/omrežnega modula (možnost omrežne povezave s protokolom Modbus RS232/RS485, Profibus DPV1 ali HART).
Višinske zahteve	Standardno do 2000 m (6562 čevljev) nadmorske višine
Stopnja onesnaženja/kategorija namestitve	Stopnja onesnaženja 2, kategorija namestitve II
Izhodi	Dva analogna izhoda (0–20 mA ali 4–20 mA). Vsak analogni izhod je lahko dodeljen za predstavitev merjenega parametra, kot so pH, temperatura, pretok ali preračunane vrednosti. Izbirni modul omogoča tri dodatne analogne izhode (skupaj 5).
Releji	Štirje uporabniško konfigurirani kontakti SPDT, nazivna napetost kontaktov 250 V (AC) s 5-ampersko upornostjo, pri krmilnikih z napajanjem na enosmerni tok pa je nazivna napetost kontaktov 24 V s 5-ampersko najvišjo upornostjo. Releji so zasnovani za priklop na električno omrežje z izmeničnim tokom (ko krmilnik deluje na izmenični tok med 115 in 24 V) ali električno omrežje z enosmernim tokom (ko krmilnik deluje na 24-voltni enosmerni tok).
Mere	½ DIN – 144 x 144 x 180,9 mm (5,7 x 5,7 x 7,12 palca.)
Teža	1,7 kg (3,75 funta)

Tehnični podatki	Podrobnosti
Izjava o skladnosti ²	<p>Odobritev CE (za vse vrste senzorjev) Odobreno za uporabo na običajnih mestih glede v skladu z varnostnimi standardi združenj UL, CSA in ETL (za vse vrste senzorjev).</p> <p>Določeni modeli z napajanjem na izmenični tok so v varnostnih standardih združenj UL in CSA organizacije Underwriters Laboratories navedeni za uporabo na splošnih varnostnih lokacijah (z vsemi vrstami senzorjev).</p>
Digitalna komunikacija	Možnost omrežne povezave s protokolom Modbus RS232/RS485, Profibus DPV1 ali HART za prenos podatkov
Beleženje podatkov	Pomnilniška kartica Secure Digital (do 32 GB) ali posebni kabelski priključek RS232 za beleženje podatkov in posodabljanje programske opreme. Kontrolna enota shranjuje približno 20.000 podatkovnih točk na senzor.
Garancija	2 let

¹ Enote s certifikatom UL (Underwriters Laboratories) so namenjene samo za notranjo uporabo in nimajo zaščite razreda NEMA 4X/IP66.

² Združenje UL ne navaja enot z napajanjem na enosmerni tok.

Splošni podatki

V nobenem primeru proizvajalec ne prevzema odgovornosti za neposredno, posredno, posebno, nezgodno ali posledično škodo, nastalo zaradi kakršnekoli napake ali izpusta v teh navodilih. Proizvajalec si pridržuje pravico do sprememb v navodilih in izdelku, ki ga opisuje, brez vnaprejšnjega obvestila. Prenovljene različice najdete na proizvajalčevi spletni strani.

Varnostni napotki

OPOMBA

Proizvajalec ne odgovarja za škodo, ki bi nastala kot posledica napačne aplikacije ali uporabe tega izdelka, kar med drugim zajema neposredno, naključno in posledično škodo, in zavrača odgovornost za vso škodo v največji meri, dovoljeni z zadevno zakonodajo. Uporabnik je v celoti odgovoren za prepoznavo tveganj, ki jih predstavljajo kritične aplikacije, in namestitve ustreznih mehanizmov za zaščito procesov med potencialno okvaro opreme.

Še pred razpakiranjem, zagonom ali delovanjem te naprave v celoti preberite priložena navodila. Še posebej upoštevajte vse napotke o nevarnostih in varnostne napotke. V nasprotnem primeru obstaja nevarnost hudih poškodb uporabnika oz. škode na opremi.

Zaščita te opreme mora biti brezhibna. Uporabljajte in nameščajte jo izključno tako, kot je navedeno v tem priročniku.

Uporaba varnostnih informacij

▲ NEVARNOST

Označuje morebitno ali neizbežno nevarno stanje, ki lahko povzroči smrt ali hude poškodbe.

▲ OPOZORILO

Označuje možno ali neposredno nevarno situacijo, ki lahko privede do hude poškodbe ali povzroči smrt, če se ji ne izognete.

▲ PREVIDNO





Označuje morebitno nevarnost, ki lahko pripelje do majhnih ali srednje težkih poškodb.

OPOMBA

Označuje situacijo, ki lahko, če se ji ne izognete, povzroči poškodbe instrumenta. Podatki, ki jih je potrebno posebej upoštevati.

Opozorilne oznake

Upoštevajte vse oznake in tablice, ki so nameščene na napravo. Neupoštevanje tega lahko privede do telesnih poškodb ali škode na inštrumentu. Simbol na napravi se nanaša na opozorilo, ki je navedeno v navodilih.

	Če je na napravi ta simbol, preberite podrobnosti o njem v navodilih za uporabo in/ali v razdelku za informacije o varnosti.
	Ta simbol opozarja, da obstaja tveganje električnega udara in/ali smrti zaradi elektrike.
	Ta simbol kaže na prisotnost naprav, ki so občutljive na elektrostatično razelektritev (ESD), in opozarja na to, da morate z ustreznimi ukrepi preprečiti nastanek škode in poškodb opreme.
	Električnih naprav, ki so označene s tem simbolom, od 12. avgusta 2005 v Evropi več ni dovoljeno odložiti med javne odpadke. V skladu z evropskimi lokalnimi in nacionalnimi predpisi (Direktiva EU 2002/96/ES) morajo evropski uporabniki električne opreme sedaj staro ali izrabljeno opremo vrniti proizvajalcu za odstranjevanje brez stroškov za uporabnika.

Certifikacija

Pravilnik za opremo, ki povzroča motnje (Kanada), IECS-003, razred A:

Zapiske o preskusih ima proizvajalec.

Ta digitalna naprava razreda A izpolnjuje vse zahteve pravilnika za opremo, ki povzroča motnje in velja za Kanado.

Cet appareil numérique de classe A répond à toutes les exigences de la réglementation canadienne sur les équipements provoquant des interférences.

FCC del 15, omejitve razreda "A"

Zapiske o preskusih ima proizvajalec. Ta naprava je skladna s 15. delom pravil FCC. Delovanje mora ustrezati naslednjima pogojema:

1. Oprema lahko povzroči škodljive motnje.
2. Oprema mora sprejeti katerokoli sprejeto motnjo, vključno z motnjo, ki jo lahko povzroči neželeno delovanje.

Spremembe ali prilagoditve opreme, ki jih izrecno ne odobri oseba, odgovorna za zagotavljanje skladnosti, lahko razveljavijo uporabnikovo pravico do uporabe te naprave. Naprava je bila preizkušena in je skladna z omejitvami za digitalne naprave razreda A glede na 15. del pravil FCC. Te omejitve omogočajo zaščito pred škodljivim sevanjem, ko se naprava uporablja v komercialnem okolju. Ta oprema ustvarja, uporablja in lahko oddaja radiofrekvenčno energijo. Če ni nameščena ali uporabljena v skladu s priročnikom z navodili, lahko povzroča škodljive motnje pri radijski komunikaciji. Uporaba te opreme v bivalnem okolju verjetno povzroča škodljive motnje, zato mora uporabnik motnje na lastne stroške odpraviti. Za zmanjšanje težav z motnjami lahko uporabite naslednje tehnike:

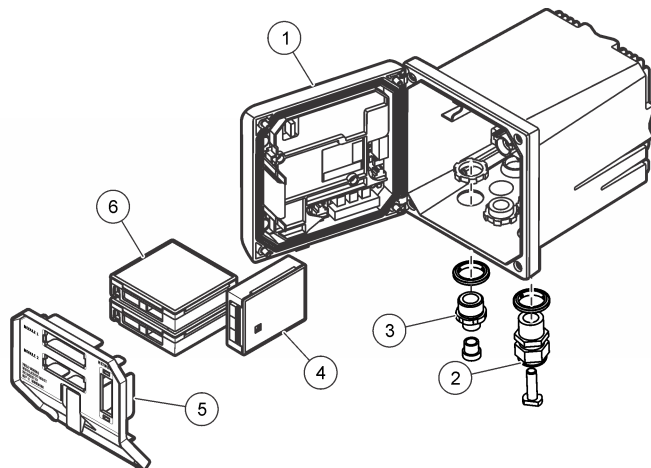
1. Odklopite opremo iz vira napajanja, da preverite, ali je to vzrok motnje.
2. Če je oprema priključena na enako vtičnico kot naprava z motnjami, jo priključite na drugo vtičnico.
3. Opremo umaknite stran od opreme, ki dobiva motnje.
4. Prestavite anteno naprave, ki prejema motnje.
5. Poskusite s kombinacijo zgornjih možnosti.

Pregled izdelka

Na krmilniku so prikazane meritve senzorjev in drugi podatki. Krmilnik lahko poleg tega oddaja analogne in digitalne signale ter komunicira z drugimi senzorji ali jih krmili prek izhodov in relejev. Konfiguracije in umeritve izhodov, relejev, senzorjev in senzorskih modulov je mogoče izvajati z uporabniškim vmesnikom na sprednji strani krmilnika.

[Slika 1](#) prikazuje sestavne dele izdelka. Sestavni deli so lahko drugačni, kar je odvisno od konfiguracije krmilnika. Če so deli poškodovani, ali jih ne morete najti, se obrnite na proizvajalca.

Slika 1 Sestavni deli sistema



1 Kontrolna enota	4 Omrežni modul (dodatna oprema)
2 Sklop varovala proti natezanju (dodatna oprema, odvisna od različice krmilnika)	5 Zaščita pred visoko napetostjo
3 Nastavek za digitalni priključ (dodatna oprema, odvisna od različice krmilnika)	6 Senzorski moduli (dodatna oprema)

Senzorji in senzorski moduli

Na krmilnik je mogoče priklopiti največ dva senzorska modula ali dva digitalna senzorja (odvisno od konfiguracije krmilnika) in en komunikacijski modul. Mogoče je tudi namestiti po en digitalni senzor in senzorski modul. S senzorskimi moduli je mogoče povezati različne senzorje. Navodila za priklop senzorjev so navedena v navodilih, priloženih posameznim senzorjem, in v navodilih, priloženih posameznim senzorskim modulom.

Izhodi in signali relejev.

Krmilnik je opremljen s štirimi relejnimi stikali in dvema analognima izhodoma. Z izbranim analognim izhodnim modulom lahko število analognih izhodov povečate na pet.

Iskanje senzorjev

Razen v dveh primerih, krmilnik samodejno išče povezane senzorje brez zahteve uporabnika (ko je napajanje vklopljeno). Prva izjema je prvi vklop pred prvo uporabo. Druga izjema je po ponastavitvi nastavitvev krmilnika na privzete vrednosti, ko je krmilnik vklopljen. V obeh primerih so na krmilniku najprej prikazani zasloni za urejanje nastavitvev jezika, datuma in časa. Ko sprejmete nastavitve za jezik, datum in čas, krmilnik preveri napravo. Za navodila o iskanju naprav, ko je krmilnik že vklopljen, glejte [Priklop digitalnega senzorja sc](#) na strani 523.

Ohišje krmilnika

Ohišje krmilnika nudi razred zaščite NEMA4X/IP66 in je prevlečeno s korozijsko odporno zaščito, ki se upira korozivnim snovem v okolju kot sta slano pršenje in žveplov vodik. Pri uporabi na prostem je priporočena uporaba zaščite pred vremenskimi vplivi.

Napotek: Enote s certifikatom UL (Underwriters Laboratories) so namenjene samo za notranjo uporabo in nimajo zaščite razreda NEMA 4X/IP66.

Možnosti namestitev krmilnika

Krmilnik je mogoče namestiti na ploščo, steno, navpično ali vodoravno cev. Priloženo je tesnilo iz neoprena, ki blaži vibracije. Tesnilo je mogoče pred odstranitvijo notranjega dela tesnila uporabiti tudi kot predlogo za namestitev na ploščo.

Namestitev

Namestitev sestavnih delov in mere

▲ PREVIDNO

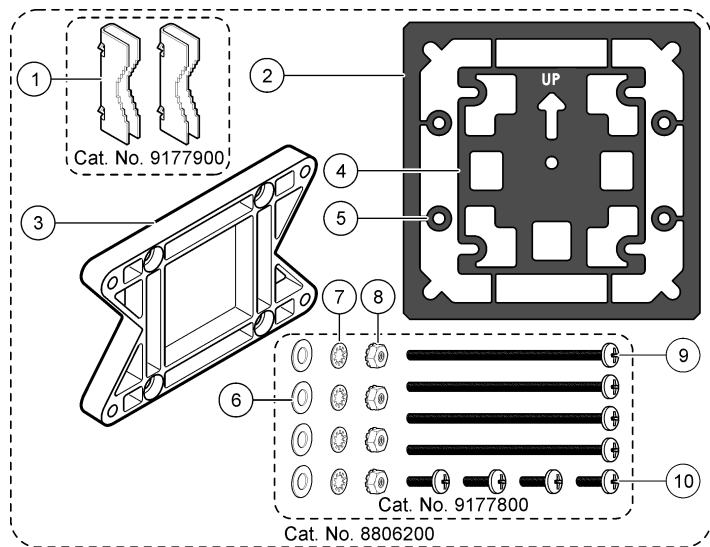
Nevarnost osebnih poškodb. Opravila, opisana v tem delu priročnika, lahko izvaja samo usposobljeno osebje.

Krmilnik je mogoče namestiti na površino, ploščo ali cev (vodoravno ali navpično). Za možnosti namestitev in navodila si oglejte [Slika 2](#), [Slika 3](#) na strani 511, [Slika 4](#) na strani 512, [Slika 5](#) na strani 513 in [Slika 6](#) na strani 514.

Za namestitev na vodoravno cev je treba na okvir v navpični smeri namestiti namestitveno podnožje [Slika 2](#).

Za namestitev na vodoravno ali navpično cev je treba okvir na krmilnik namestiti tako, kot je prikazano na [Slika 5](#) na strani 513.

Slika 2 Deli za namestitev

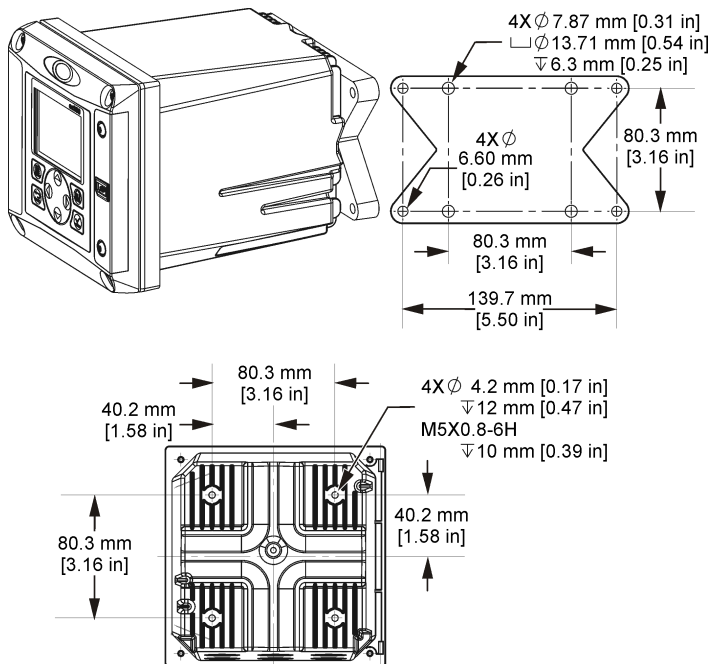


1 Namestitveno podnožje (2)	6 Ploščata podložka, ¼ palca ID (4)
2 Tesnilo iz neoprena za namestitev na ploščo	7 Blokirna podložka, ¼ palca ID (4)
3 Okvir za namestitev na steno in cevi	8 Šestroba matica, M5 x 0,8 (4)
4 Vibracijsko izolacijsko tesnilo za namestitev na cev	9 Vijaki z lečasto glavo, M5 x 0,8 x 100 mm (4) (za namestitev na cevi z različnimi premeri)
5 Vibracijsko izolacijska podložka za namestitev na cev (4)	10 Vijaki z lečasto glavo, M5 x 0,8 x 15 mm (4)

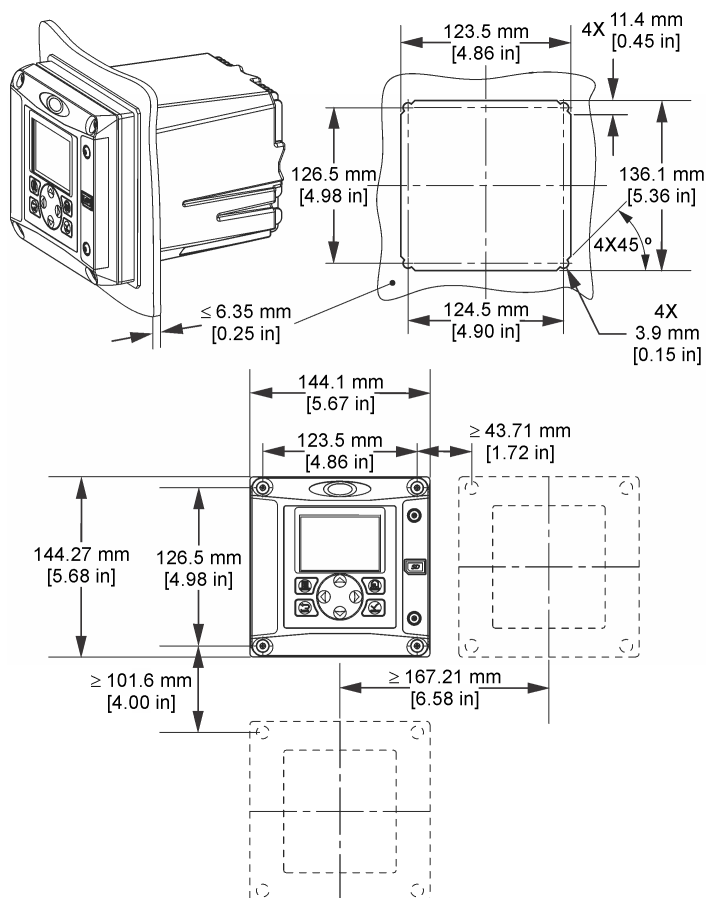
Napotek: Okvir za namestitev na ploščo je na voljo kot dodatna oprema.

Namestitev krmilnika

Slika 3 Mere pri namestitvi na površino

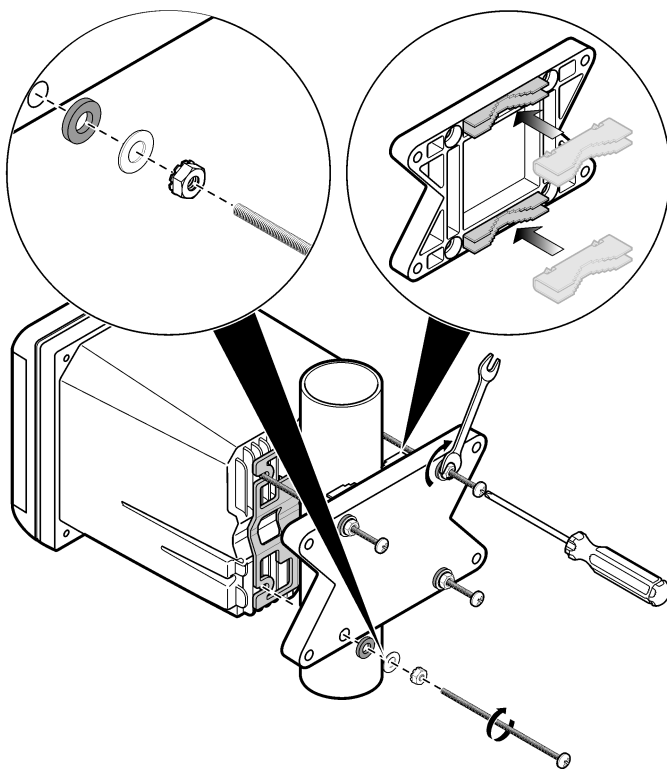


Slika 4 Mere pri namestitvi na ploščo

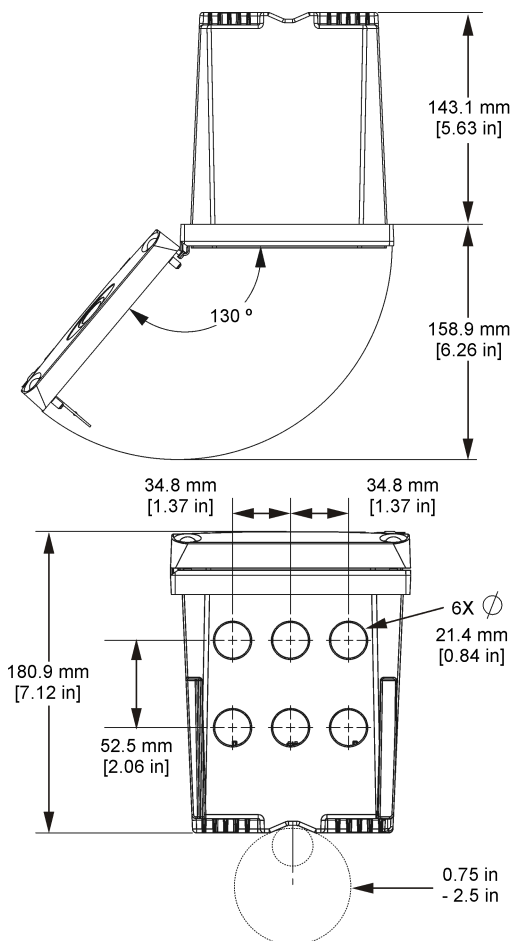


Napotek: Če uporabljate (izbirni) okvir za namestitev na ploščo, kontrolno enoto potisnite skozi odprtino v plošči, nato pa na hrbtni strani plošče čez kontrolno enoto potisnite okvir. Okvir s štirimi 15-mm vijaki z lečasto glavo privijte ob na kontrolno enoto, ki jo pritrdite na ploščo.

Slika 5 Mere pri namestitvi na cev (navpična cev)



Slika 6 Pogled z zgornje in spodnje strani



Zaščita pred visoko napetostjo

Visokonapetostni kabli krmilnika so speljani za visokonapetostno zaščito v ohišju krmilnika. Zaščita mora ostati na svojem mestu, razen pri nameščanju modulov ali kadar usposobljen inštalater namešča napeljavo za napajanje, alarme, izhode ali releje. Ko je krmilnik pod napetostjo, zaščitne ni dovoljeno odstraniti.

Upoštevanje elektrostatične razelektritve (ESD)

OPOMBA



Možne poškodbe opreme. Elektrostatični naboj lahko poškoduje občutljive elektronske sklope, kar ima za posledico zmanjšano zmogljivost instrumenta ali celo okvaro.

Upoštevajte korake v teh navodilih in tako preprečite škodo na instrumentu, ki lahko nastane zaradi elektrostatične razelektritve (ESD):

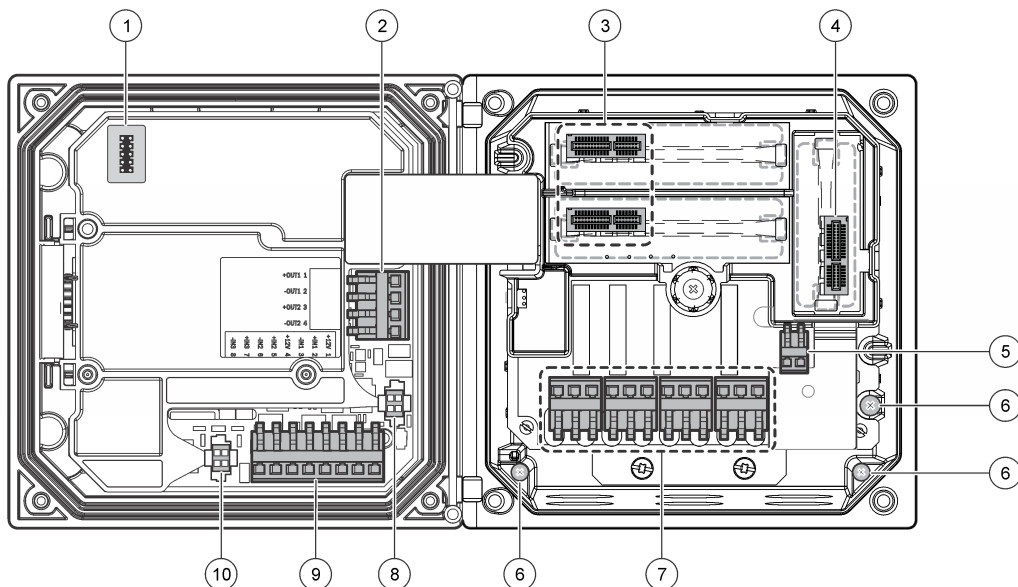
- Dotaknite se ozemljene kovinske površine, kot je šasija instrumenta ali kovinska cev, da sprostite statično elektriko iz telesa.
- Izogibajte se prekomernemu gibanju. Statično–občutljive sestavne dele transportirajte v antistatičnih posodah ali embalaži.
- Nosite zapestnico, ki je povezana z vodnikom, za ozemljitev.
- Delo naj poteka na statično varnem območju z antistatičnimi preprogami in podlogami na delovnih pultih.

Pregled ožičenja

Slika 7 prikazuje pregled nad konektorji v notranjosti krmilnika, pri čemer je zaščitna pregrada odstranjena. Na levi strani slike je prikazana hrbtna stran pokrova krmilnika.

Napotek: Pred namestitvijo modula s konektorjev odstranite zaščitne pokrovčke.

Slika 7 Pregled priključkov



1 Prikllop za servisni kabel	5 Napajalni konektor za izmenični tok in enosmerni tok ¹	9 Konektor ločenih vhodnih žic ¹
2 Izhodna moč 4–20 mA ¹	6 Ozemljitvene sponke	10 Konektor za digitalni senzor ¹
3 Konektor za senzorski modul	7 Sponke za konektorje ¹	
4 Konektor za komunikacijski modul (npr. Modbus, Profibus, HART; na voljo je tudi modul z močjo 4–20 mA ...)	8 Konektor za digitalni senzor ¹	

¹ Za lažji dostop je mogoče priključke odmakniti.

Napajalni kabli

⚠ OPOZORILO



Možna nevarnost smrti zaradi električnega toka. Pri vzpostavljanju električnih povezav vedno izključite napajanje naprave.

⚠ OPOZORILO



Možna nevarnost smrti zaradi električnega toka. Če opremo uporabljate zunaj ali na morebitnem mokrem mestu, morate za priklon opreme na električno vtičnico uporabiti **ozemljitveni prekinjevalnik toka**.

⚠ NEVARNOST



Nevarnost smrti zaradi električnega toka. Na model 24 V DC ne priključujte izmeničnega napajanja.

⚠ OPOZORILO



Možna nevarnost smrti zaradi električnega toka. Za 100-240 VAC in 24 VDC ožičenje potrebujete zaščitni ozemljitveni (PE) priključek. Opustitev dobre povezave z ozemljitvijo (PE) lahko povzroči nevarnost udara in slabo delovanje zaradi elektromagnetnih motenj. Sponko kontrolne enote VEDNO povežite z dobro ozemljitvijo (PE).

OPOMBA

Napravo namestite na mesto in položaj, ki vam omogoča preprost dostop do odklopne naprave in njenih upravljalnih elementov.

Na trgu sta na voljo krmilnika 100–240 V (izmenični tok) in 24 V (enosmerni tok). Upoštevajte ustrezna navodila za ožičenje naročenega modela.

Napajanje krmilnika je lahko ožičeno preko instalacijske cevi ali z napajalnim kablom. Ne glede na vrsto vodnika so spoji izvedeni na istih sponkah. Zahtevan je lokalni odklopnik, ki je zasnovan tako, da ustreza krajevnim predpisom, in mora biti določen za vse vrste napeljave. Pri ožičenih aplikacijah, mora biti padec napajanja in ozemljitve za instrument od 18 do 12 AWG.

Opombe:

- Pred priklonom na električno omrežje je treba odstraniti zaščitno pregrado. Po dokončanem priklonu in pred zapiranjem pokrova krmilnika zamenjajte zaščitno pregrado.
- Za ohranitev zaščitnega razreda ohišja NEMA 4X/IP66 lahko uporabite varovalo proti natezanju s tesnilom in napajalni kabel, ki je krajši od 3 metrov (10 čevljev) s pletenim kablom razreda 18 (vključno z ozemljitveno žico).
- Krmilnike je mogoče naročiti z vnaprej nameščenim napajalnim kablom za izmenično napetost. Naročiti je mogoče tudi dodatne napajalne kable.
- Napajalnik za enosmerni tok, ki napaja krmilnik z 24 V (enosmerni tok) napajanjem mora ohranjati napetost znotraj navedenega dopustnega odstopanja napetosti 24 V (enosmerni tok) – 15 %/+20 %. Napajalnik za enosmerni tok mora ravno tako nuditi zaščito pred udari in sunki napetosti.

Inštalacija

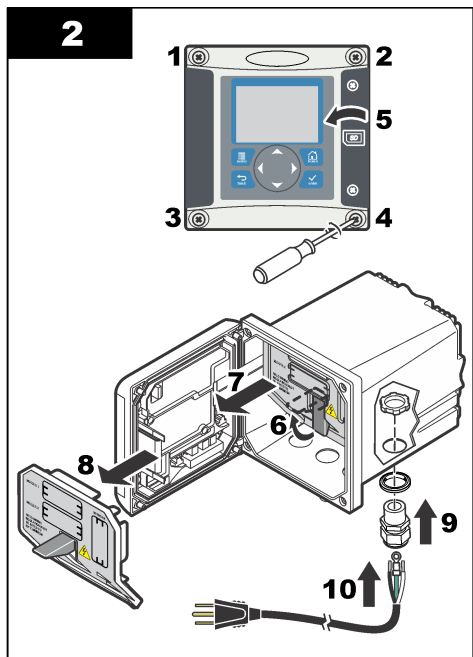
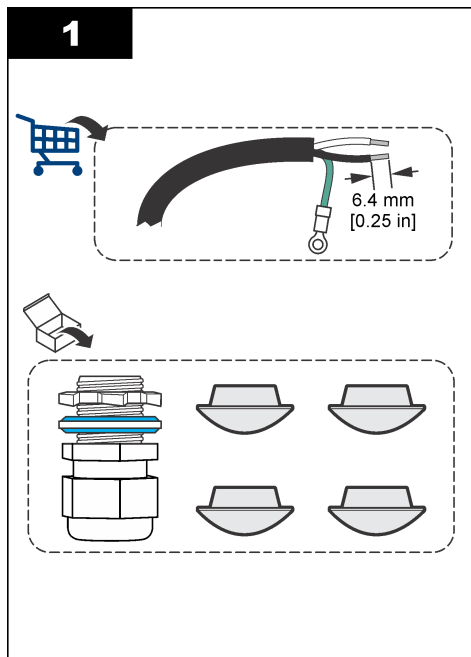
Za povezavo kontrolne enote z napajanjem glejte ilustrirana navodila v nadaljevanju [Tabela 1](#) ali [Tabela 2](#). Vsako žico vstavite v ustrezen terminal in jo potisnite do konca tako, da je izolacija tik ob konektorju in ni mogoče videti nobene žice. Po vstavitvi narahlo povlecite in se prepričajte, ali je povezava dovolj zanesljiva. Zatesnite neuporabljene odprtine ohišja krmilnika s tesnilnim čepom za odprtine za vodnike.

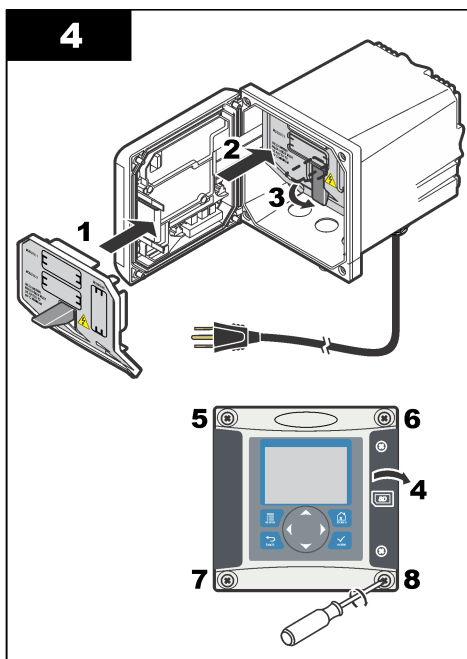
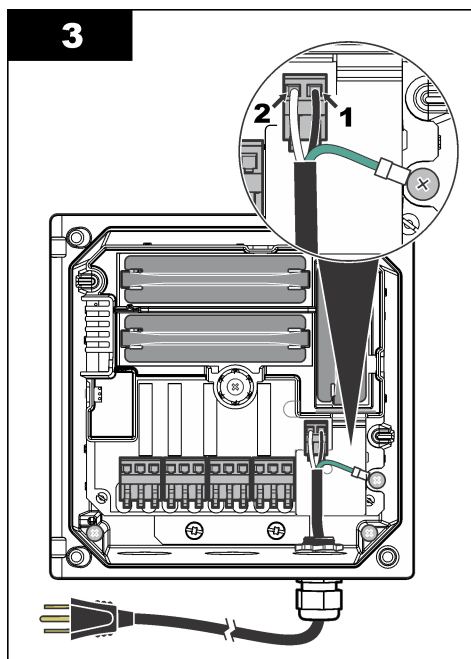
Tabela 1 Podatki za ožičenje za naprave z izmeničnim napajanjem (samo modeli z izmeničnim napajanjem)

Priključek	Opis	Barva – Severna Amerika	Barva – EU
1	Napetost (L1)	črna	rjava
2	Nevtralni (N)	bela	modra
—	Barva izolacije ozemljitvenega kabla	zelena	zelena z rumeno črto

Tabela 2 Podatki za ožičenje za naprave z enosmernim napajanjem (samo modeli z enosmernim napajanjem)

Priključek	Opis	Barva – Severna Amerika	Barva – EU
1	+24 VDC	rdeča	rdeča
2	Povratni vod - 24 V (enosmerni tok)	črna	črna
—	Barva izolacije ozemljitvenega kabla	zelena	zelena z rumeno črto





Alarmi in releji

Krmilnik je opremljen s štirimi enopolnimi releji (niso napajani), ki so primerni za uporabo z napravami z naslednjimi podatki: 100–250 V (AC), 50/60 Hz in 5 ampersko najvišjo upornostjo. Pri krmilnikih z napajanjem na izmenični tok je nazivna napetost kontaktov 250 V s 5-ampersko upornostjo, pri krmilnikih z napajanjem na enosmerni tok pa je nazivna napetost kontaktov 24 V s 5-ampersko najvišjo upornostjo. Releji niso primerni za induktivne obremenitve.

Ožičenje relejev

⚠ OPOZORILO



Možna nevarnost smrti zaradi električnega toka. Pri vzpostavljanju električnih povezav vedno izključite napajanje naprave.

⚠ OPOZORILO



Možna nevarnost požara. Kontakti releja z nazivnim električnim tokom 5 A niso zaščiteni z varovalkami. Zunanje naprave, povezane z releji, morajo biti opremljene z napravami za omejitve toka na manj kot 5 A.

⚠ OPOZORILO



Možna nevarnost požara. Med običajnimi priključki relejev ali žicami za premostitev znotraj naprave in električnim omrežjem ni dovoljeno vzpostaviti marjetične verige.

⚠ OPOZORILO



Možna nevarnost smrti zaradi električnega toka. Za ohranitev razreda zaščite NEMA/IP, ki ga ohišje nudi pred vplivi okolja, uporabljajte pri napeljavi kablov v ohišje samo nastavke za pritrditev vodov in tesnilne uvodnice razreda NEMA 4X/IP66.

Krmilniki z napajanjem z izmeničnim tokom (100–250 V)

Prostor za ožičenje ni namenjen za priključke nad 250 V (izmenični tok).

Krmilniki z napajanjem z enosmernim tokom 24 V (enosmerni tok)

⚠ OPOZORILO



Smrtna nevarnost zaradi električnega udara. Krmilniki z napajanjem na izmenični tok (115–230 V) so zasnovani za priklop na električno omrežje z izmeničnim tokom (t.j. napetosti nad 16 V-RMS, 22,6 V-PEAK ali 35 VDC) prek relejev.

⚠ OPOZORILO



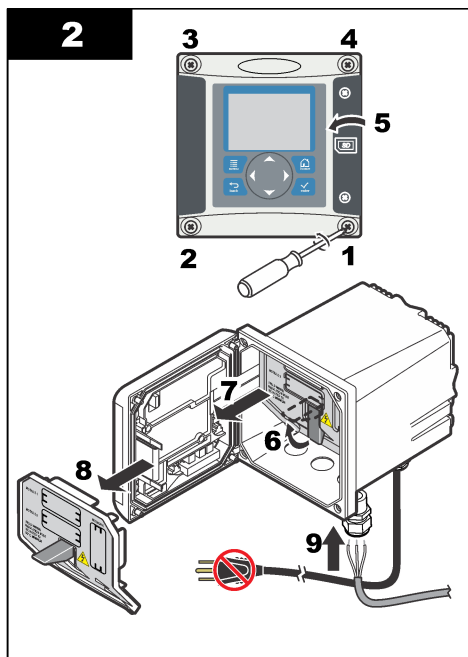
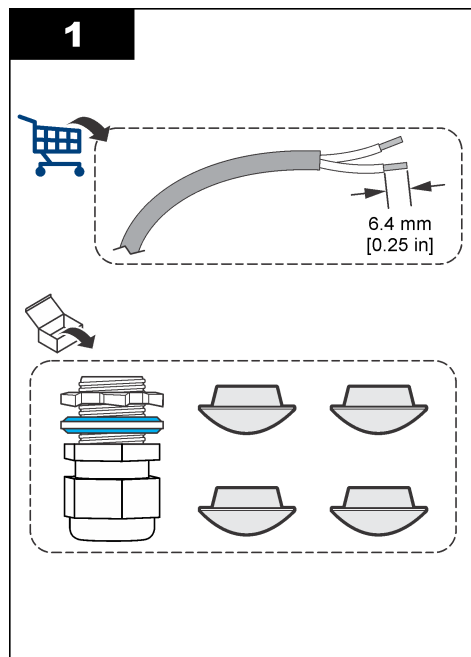
Smrtna nevarnost zaradi električnega udara. Krmilniki (napajanje 24 V) so zasnovani za priklop na nizkonapetostna omrežja (t.j. napetosti pod 16 V-RMS, 22,6 V-PEAK ali 35 VDC) prek relejev.

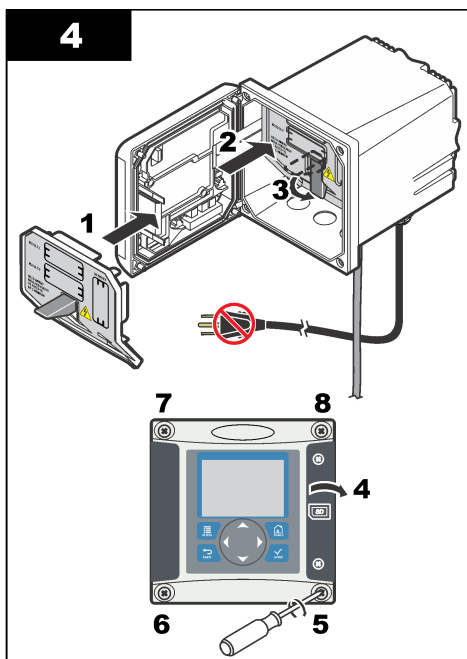
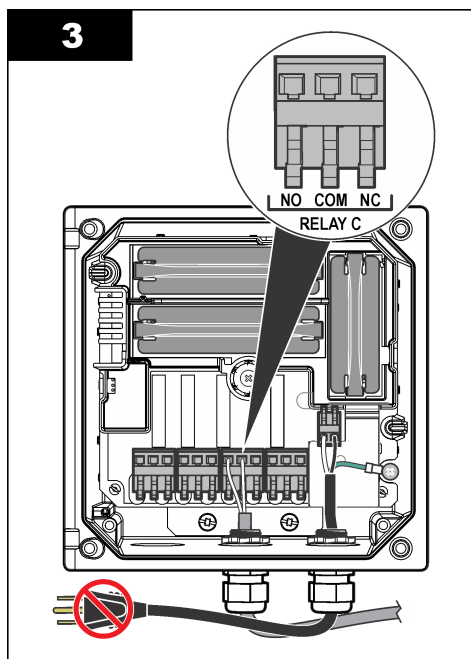
Releji krmilnikov 24 V (DC) so zasnovani za priklop na nizkonapetostna omrežja (t.j. napetosti pod 30 V-RMS, 42,2 V-PEAK ali 60 VDC). Predelek za ožičenje relejev ni predviden za priključitev višjih napetosti od navedenih.

Relejski konektorji so predvideni za žico 18–12 AWG (določeno z bremenom aplikacije). Ne priporočamo, da uporabite vodnik s presekom manj kot 18 AWG.

Delovni (NO) in skupni (COM) kontakt releja sta sklenjena, kadar se sproži alarm ali drug dogodek. Mirovni (NC) in skupni (COM) kontakt releja sta sklenjena, ko alarm ali drug dogodek ni aktiven (razen, če ni varnostni mehanizem nastavljen na Da) ali pri odklopu napajanja.

Pri večini konektorjev za releje so uporabljeni delovni (NO) in skupni (COM) kontakti ali mirovni (NC) in skupni (COM) kontakti. Oštevilčeni koraki za namestitev prikazujejo priklop na delovne (NO) in skupne (COM) kontakte.





Analogni izhodni priključki

▲ OPOZORILO



Možna nevarnost smrti zaradi električnega toka. Pri vzpostavljanju električnih povezav vedno izključite napajanje naprave.

▲ OPOZORILO



Možna nevarnost smrti zaradi električnega toka. Za ohranitev razreda zaščite NEMA/IP, ki ga ohišje nudi pred vplivi okolja, uporabljajte pri napeljavi kablov v ohišje samo nastavke za pritrditev vodov in tesnilne uvodnice razreda NEMA 4X/IP66.

Na voljo sta dva izolirana analogna izhoda (1 in 2) (Slika 8). Ti izhodi se običajno uporabljajo za pošiljanje analognih signalov ali krmiljenje drugih zunanjih naprav.

Krmilnik priklopite tako, kot je prikazano na Slika 8 in Tabela 3.

Napotek: Slika 8 prikazuje hrbtni del ohišja krmilnika in ne notranjost krmilnika.

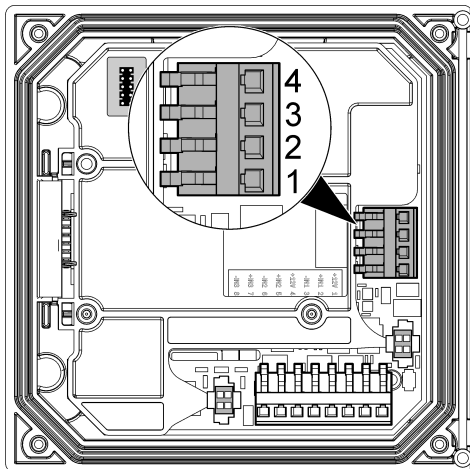
Tabela 3 Izhodni priključki

Vodniki naprave za beleženje	Položaj na tiskanem vezju
Izhod 2–	4
Izhod 2+	3
Izhod 1–	2
Izhod 1+	1

1. Odprite pokrov kontrolne enote.
2. Žico vstavite skozi varovalo proti natezanju.
3. Po potrebi prilagodite dolžino žice in zategnite pokrovček varovala.

4. Prikllope izvedite s prepletenim in opletenim kablom ter oplet priključite na nadzorovani sklop ali na koncu krmilne zanke.
 - Zaščite ne priključite na obeh koncih kabla!
 - Uporaba neopletenega kabla lahko povzroči emisijo elektromagnetnih motenj ali višjo raven občutljivosti, kot je dovoljena.
 - Največja upornost zanke je 500 ohmov.
5. Zaprite pokrov kontrolne enote in zategnite vijake pokrova.
6. Konfigurirajte izhode v kontrolni enoti.

Slika 8 Analogni izhodni priključki



Ločene vhodne žične povezave

⚠ OPOZORILO



Možna nevarnost smrti zaradi električnega toka. Pri vzpostavljanju električnih povezav vedno izključite napajanje naprave.

⚠ OPOZORILO



Možna nevarnost smrti zaradi električnega toka. Za ohranitev razreda zaščite NEMA/IP, ki ga ohišje nudi pred vplivi okolja, uporabljajte pri napeljavi kablov v ohišje samo nastavke za pritrnitev vodov in tesnilne uvodnice razreda NEMA 4X/IP66.

Trije ločeni vhodi so namenjeni za stikalne sklenjene vhode ali napetostne vhode na logični ravni. Povežite žice in konfigurirajte nastavitve mostička do kontrolne enote, kot prikazujeta [Slika 9](#), [Tabela 4](#) in [Slika 10](#).

Napotek: [Slika 9](#) prikazuje hrbtni del ohišja krmilnika in ne notranjost krmilnika.

Slika 9 Ločene vhodne žične povezave

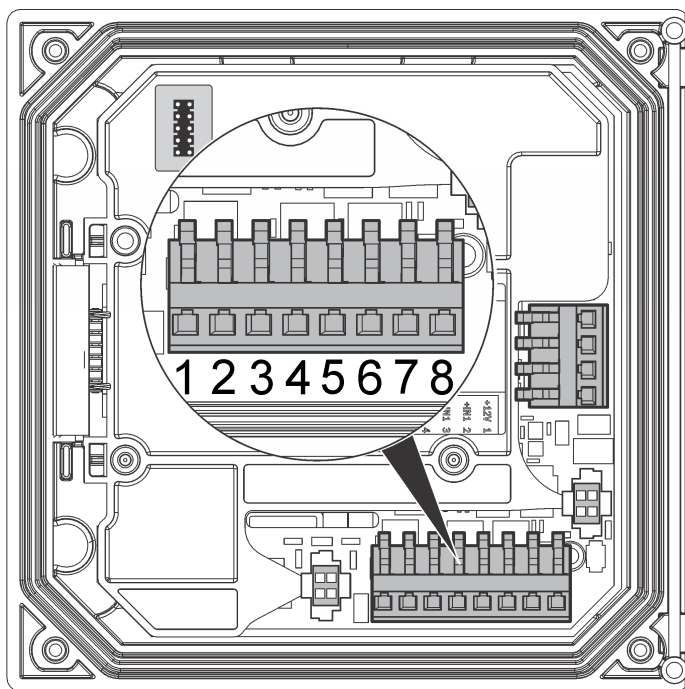
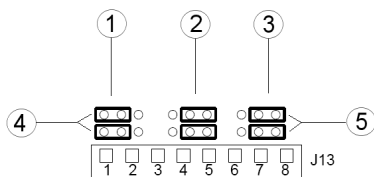


Tabela 4 Vhodne povezave

Ločeni vhodi	Položaj konektorja – stikalni vhod	Položaj konektorja – napetostni vhod
Vhod 1+	3	2
Vhod 1-	2	3
Vhod 2+	6	5
Vhod 2-	5	6
Vhod 3+	8	7
Vhod 3-	7	8

Slika 10 Nastavitve mostička



1 Mostički za nastavev vhoda 1	4 Mostički na levi za stikalne vhode
2 Mostički za nastavev vhoda 2	5 Mostički na desni za napetostne vhode
3 Mostički za nastavev vhoda 3	

1. Odprite pokrov kontrolne enote.
2. Uvedite žice skozi kabelsko uvodnico.
3. Po potrebi prilagodite dolžino žice in zategnite kabelsko uvodnico.
4. Mostički so nameščeni neposredno za konektorjem. Za lažji dostop do mostičkov odstranite konektor in konfigurirajte nastavitve mostičkov glede na vrsto vhoda, kot prikazuje [Slika 10](#).
5. Zaprite pokrov kontrolne enote in zategnite vijake pokrova.
6. Konfigurirajte vhode v kontrolni enoti.

Napotek: V načinu **stikalnega vhoda** kontrolna enota dovaja 12-voltno napetost do stikala in ni izolirana od kontrolne enote. V načinu **napetostnega vhoda** so vhodi izolirani od kontrolne enote (uporabniška vhodna napetost od 0 do 30 voltov).

Priklop digitalnega senzorja sc

Napotek: Za priklop analognega senzorja si oglejte navodila v priročniku modula ali senzorja.

Digitalni senzor sc je mogoče na krmilnik priklopiti z označenim nastavkom za hitro namestitev ([Slika 11](#)). Digitalni senzor je mogoče priklopiti, če je napajanje krmilnika vklopljeno ali izklopljeno.

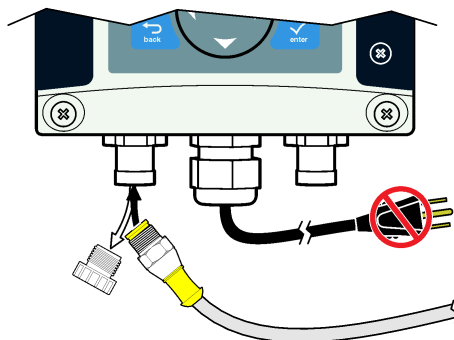
Če senzor priklopite, ko je krmilnik vklopljen, ta ne zažene samodejnega iskanja naprav. Če želite, da krmilnik poišče naprave, odprite meni Test/Maintenance (Test/servis) in izberite možnost Najdi senzor. Če krmilnik najde novo napravo, samodejno zažene namestitev, pri kateri ni treba uporabniku opraviti nobenega dejanja.

Če senzor priklopite, ko je krmilnik izklopljen, ta ob naslednjem vklopu samodejno zažene iskanje naprav. Če krmilnik najde novo napravo, samodejno zažene namestitev, pri kateri ni treba uporabniku opraviti nobenega dejanja.

Pokrovček konektorja shranite za kasnejšo zatesnitev odprtine konektorja v primeru, da bo potrebno odstraniti senzor.

Slika 11 Hitri priklop digitalnega senzorja

1.



Priklop digitalnega komunikacijskega izhoda (dodatna oprema)

Izdelek proizvajalca podpira komunikacijske protokole Modbus RS485, Modbus RS232, Profibus DPV1 in HART. Mesto namestitve izhodnega digitalnega komunikacijskega vmesnika, ki je del dodatne opreme, na Slika 7 na strani 515 označuje številka 4. Za podrobnosti si oglejte navodila, ki so priložena omrežnemu modulu.

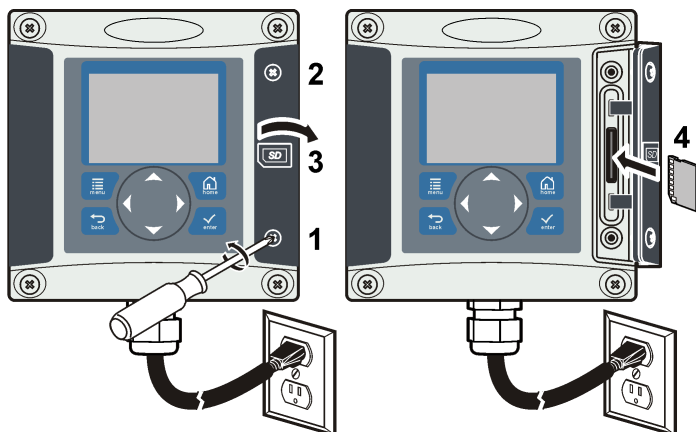
Za informacije o registriranih Modbus pojdite na <http://www.hach-lange.com> ali <http://www.hach.com> in iščite po *registrih Modbus* ali pa obiščite stran kateregakoli izdelka sc200.

Namestitev pomnilniške kartice Secure Digital (SD)

Za navodila o namestitvi kartice SD v krmilnik si oglejte Slika 12 Informacije o uporabi pomnilniške kartice SD lahko najdete v razširjeni različici priročnika.

Kartico SD odstranite tako, da pritisnete spodnji rob kartice ter jo tako sprostite, nato pa jo privzdignete in izvlečete iz reže. Po odstranitvi kartice zaprite pokrov reže in zategnite vijake pokrova.

Slika 12 Namestitev kartice SD

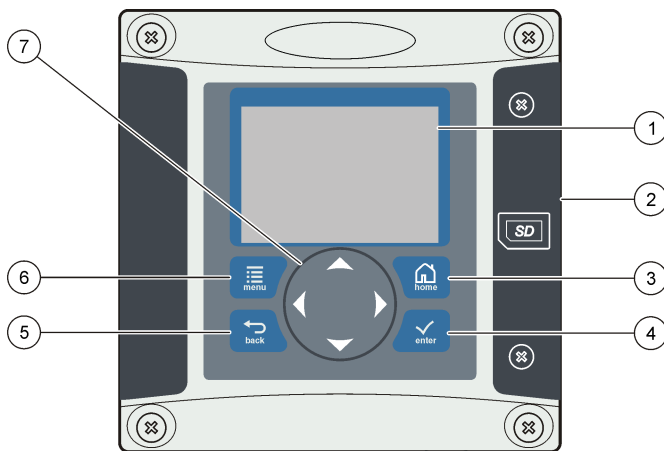


Uporabniški vmesnik in pomikanje

Uporabniški vmesnik

Na tipkovnici so štiri menijske tipke in štiri puščične tipke, kot je prikazano na [Slika 13](#).

Slika 13 Prikaz tipkovnice in sprednje plošče.



1 Zaslonske naprave	5 Tipka BACK (Nazaj) Premik eno raven nazaj v menijski strukturi.
2 Pokrov reže za pomnilniško kartico Secure Digital	6 Tipka MENU (Meni). Premik v meni Nastavitve s katerega koli zaslona ali podmenija.
3 Tipka HOME (Domov) Povratek na glavni zaslon za meritve z ostalih zaslonov in podmenijev.	7 Puščične tipke S puščičnimi tipkami se premikate med meniji, spreminjate nastavitve in zvišujete ali znižujete vrednosti.
4 Tipka ENTER . Potrjevanje vnesenih vrednosti, posodobitev ali prikazanih možnosti menijev.	

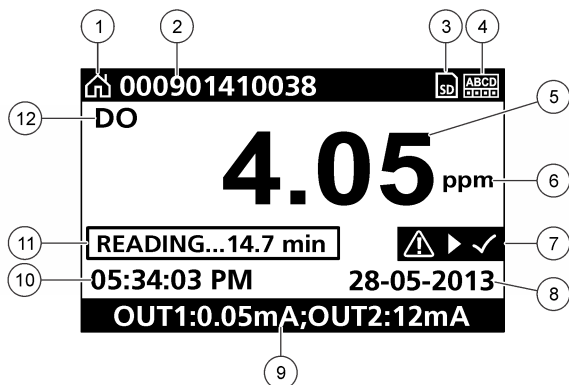
Vhodne in izhodne naprave lahko nastavite in konfigurirate s tipkovnico in zaslonom na sprednji plošči. S tem uporabniškim vmesnikom lahko nastavljate in konfigurirate vhodne in izhodne naprave, ustvarjate dnevniške datoteke, določate izračun vrednosti in umerjate senzorje. Za shranjevanje dnevnikov in posodobitev lahko uporabite vmesnik SD.

Zaslon

Na [Slika 14](#) je prikazan primer glavnega zaslona za meritve, pri katerih je senzor DO priključen na krmilnik.

Na zaslonu na sprednji strani krmilnika so prikazani rezultati meritev senzorja, podatki o kalibracijah in nastavitvah, opozorila in drugi podatki.

Slika 14 Primer glavnega zaslona za meritve



1 Ikona za začetni zaslon	7 Vrstica stanja za opozorila
2 Ime senzorja	8 Datum
3 Ikona za pomnilniško kartico SD	9 Vrednosti analognega izhoda
4 Indikator stanja releja	10 Čas
5 Vrednost merjenja	11 Vrstica poteka
6 Merska enota	12 Parametri meritev

Tabela 5 Opisi ikon

Ikona	Opis
Začetni zaslon	Ikone so lahko različne, kar je odvisno od prikazanega menija ali zaslona. Če je na primer vstavljena kartica SD, je medtem, ko je odprt meni Namestitvev SD-kartic, na tem mestu prikazana ikona kartice SD
Pomnilniška kartica SD	Ikona je prikazana samo, če je SD-kartica vstavljena v režo. Če uporabnik odpre meni Namestitvev SD-kartic, je ta ikona prikazana v zgornjem levem kotu.
Opozorilo	Ikona za opozorilo je sestavljena iz klicaja v trikotniku. Na desni strani glavnega zaslona pod vrednostmi meritev se pojavijo opozorilne ikone. Pritisnite tipko ENTER in izberite napravo za ogled morebitnih težav, ki so povezane s to napravo. Ko odpravite ali potrdite vse težave, opozorilna ikona ne bo več prikazana.
Napaka	Ikona za napako je sestavljena iz klicaja v krogu. Ko se pojavi napaka, na glavnem zaslonu izmenično utripata ikona napake in zaslon meritev. Za ogled napak pritisnite tipko MENU (Meni) in izberite možnost Diagnostics (Diagnostika). Nato izberite napravo, da si ogledate vse težave, ki so povezane s to napravo.

Dodatne oblike prikaza zaslona

- Za preklapljanje med parametri meritev na glavnem zaslonu za meritve pritisnite puščično tipko **NAVZGOR** oziroma **NAVZDOL**.
- Za preklop na razdeljeni zaslon, ki prikazuje do 4 parametre meritev, na glavnem zaslonu za meritve pritisnite puščično tipko **DESN0**. Če želite vključiti dodatne meritve, pritisnite puščično tipko **DESN0**. Če se želite vrniti na glavni zaslon za meritve, pritisnite puščično tipko **LEVO**.
- Za preklop na grafični zaslon na glavnem zaslonu za meritve pritisnite puščično tipko **LEVO** (glejte [Grafični prikaz](#) na strani 526 za opredelitev parametrov). Za preklapljanje med grafi meritev pritisnite puščično tipko **NAVZGOR** oziroma **NAVZDOL**.

Grafični prikaz

Na grafu so prikazane koncentracija in meritve temperature za vsak kanal, ki se uporablja. V grafu lahko enostavno nadzirate trende in spremljate spremembe v procesih.

1. Na zaslonu z grafičnim prikazom s puščičnima tipkama navzgor in navzdol izberite graf in pritisnite tipko **HOME** (Domov).
2. Izberite možnost:

Možnost	Opis
MEASUREMENT VALUE (Vrednost meritve)	Nastavi vrednost meritve za izbrani kanal. Izberite možnost Auto Scale (Samodejna nastavev lestvice) ali Manually Scale (Ročna nastavev lestvice). Za ročno nastavev lestvice vnesite najnižjo in najvišjo vrednost meritve
DATE & TIME RANGE (Razpon datuma in ure)	Med možnostmi, ki so na voljo, izberite datumski in časovni razpon.

Zagon sistema

Ob prvem zagonu sistema se v naslednjem zaporedju pojavijo zasloni Language (Jezik), Date Format (Oblika datuma), Date/Time (Datum/čas). Po nastavitvi teh možnosti krmilnik opravi iskanje naprav, na njem pa je prikazano sporočilo **Scanning for devices (Iskanje senzorja). Please wait... (Počakajte ...)** Če krmilnik najde nov senzor, pred prikazom glavnega zaslona za meritve zažene postopek namestitve.

Če najde krmilnik med iskanjem samo predhodno nameščene naprave brez sprememb konfiguracije, se glavni zaslon za meritve pojavi na položaju številka ena takoj po dokončanem postopku iskanja.

Če je naprava odstranjena iz krmilnika ali je med naslednjim samodejnim ali uporabniško izbranim iskanjem ni mogoče najti, je na krmilniku prikazano sporočilo **Senzor manjka** in poziv za izbris senzorja.

Če z nameščenim analognim modulom ni povezan noben senzor, bo na krmilniku prikazano sporočilo o napaki. Če je senzor povezan s krmilnikom, vendar ga ta ne najde, si oglejte [Odpravljanje težav](#) na strani 529.

Prva nastavev jezika, datuma in časa

Ob prvem vklopu krmilnik odpre zaslone za urejanje jezika, datuma in časa. Opravljene nastavevte so po ponovnem vklopu shranjene kot privzete.

Po prvi nastavitvi jezika, datuma in časa lahko te možnosti posodabljate po potrebi, in sicer v meniju nastavev sc200.

1. Na zaslonu z jeziki na seznamu označite želeno možnost in pritisnite tipko **ENTER**. Privzeti jezik krmilnika je angleščina.
Izbrani jezik je shranjen. Pojavi se zaslon za nastavevte oblike datuma.
2. Na zaslonu za nastavevte oblike datuma označite obliko zapisa in pritisnite tipko **ENTER**. Oblika zapisa datuma in časa je shranjena. Nato se pojavi zaslon za nastavevte datuma in časa.
3. Na zaslonu za nastavevte datuma in časa z **DESNO** ali **LEVO** puščično tipko označite želeno polje, nato pa pritisnite puščično tipko **NAVZGOR** ali **NAVZDOL** in spremenite vrednost v polju. Ostala polja posodabljate po potrebi.
4. Pritisnite tipko **ENTER**.
Spremembe so shranjene in krmilnik zažene iskanje naprav. Če krmilnik najde povezane naprave, prikaže glavni zaslon za meritve najdene naprave na položaju številka ena. Če krmilnik ne najde nobene povezane naprave, si oglejte [Odpravljanje težav](#) na strani 529.

Informacije za konfiguracijo krmilnika

Splošne informacije o možnostih konfiguracije so navedene v tabeli.


1. Če želite odpreti možnosti menija, v meniju Nastavevte izberite možnost sc200 - namestitvev.

Možnost	Opis
Varnostne nastavevte	Nastavevte lastnosti gesla.

Možnost	Opis
Nastavitev izhoda	Nastavitev analognih izhodov krmilnika
Nastavitev releja	Nastavitev relejev krmilnika
Display setup (Nastavitev zaslona)	Nastavitev zaslona kontrolne enote
Nastavitev datuma/časa	Nastavitev datuma in časa releja
Nastavitev dnevnika podatkov	Nastavitev možnosti za beleženje podatkov Na voljo samo, če je bilo nastavljeno izračunavanje.
Manage Data (Upravljanje podatkov)	Za ogled dnevnika podatkov ali dogodkov izberite napravo s seznama nameščenih komponent
Error Hold Mode (Način zadrževanja pri napaki)	Hold Outputs (Zadržanje izhodnega signala) – če je povezava med krmilnikom in senzorjem prekinjena, zadrži izhodni signal pri zadnji znani vrednosti. Stanje prenosa – če je povezava med krmilnikom in senzorjem prekinjena, sledi preklon v način za prenos signala. Prenos izhodnega signala je opravljen na predhodno določeno vrednost.
Izračun	Nastavitev matematičnih funkcij kontrolne enote
sc200 - informacije	S/W VER: (Različica programske opreme) – trenutna različica programske opreme krmilnika Bootloader VER: (Različica programa za zagon) – trenutna različica programa za zagon. Program za zagon je datoteka za nalaganje glavnega operacijskega sistema krmilnika S/N: (Serijska številka) – serijska številka krmilnika Version: (Različica) – trenutna različica strojne opreme kontrolne enote
Nastavitev diskretnega vhoda	Nastavitev treh ločenih vhodnih kanalov
Jezik	Dodelitev jezika za krmilnik.

2. Za izbiro možnosti v meniju to najprej označite in nato pritisnite tipko **ENTER**.

Vzdrževanje

⚠ PREVIDNO	
	Različne nevarnosti Opravila, opisana v tem delu dokumenta, lahko izvaja samo usposobljeno osebje.

Čiščenje krmilnika

⚠ NEVARNOST	
	Pred izvajanjem vzdrževalnih del vedno odklopite napajanje.

Napotek: Pri čiščenju katerega koli dela krmilnika nikoli ne uporabljajte vnetljivih ali jedkih topil. Če uporabljate taka topila, lahko poškodujete zaščito enote pred zunanji vplivi in izničite garancijo.

1. Pokrov krmilnika mora biti čvrsto pritrjen.
2. Zunanost krmilnika čistite s krpo, navlaženo z vodo ali mešanico vode in blagega čistila.

Odpravljanje težav

Težava	Rešitev
Ni izhodnega toka	Preverite trenutne nastavitve za izhodni tok.
	Preverite trenutni signal izhodnega toka v podmeniju Test/Maintenance (Test/servis). Vnesite trenutno vrednost in preverite signal izhodnega toka pri povezavah krmilnika.
	Obrnite se na tehnično pomoč
Nepravilen prikaz trenutnega toka	Preverite trenutne nastavitve za izhodni tok.
	Preverite trenutni signal izhodnega toka v podmeniju Test/Maintenance (Test/servis). Vnesite trenutno vrednost in preverite signal izhodnega toka pri povezavah krmilnika. Če se signal izhodnega toka spreminja, opravite kalibracijo izhoda.
Rele se ne vklopi	Poskrbite, da so povezave releja pravilno nameščene.
	Če uporabljate zunanji vir napajanja, preverite, ali je rele pravilno priključen.
	Poskrbite, da bo rele pravilno nastavljen.
	Vklop releja preverite v meniju Test/Maintenance (Test/servis). Napajanje releja se mora ob izbiri vklopiti in izklopiti.
	Krmilnik ne sme biti v načinu za kalibracijo in rele ne sme biti blokiran.
	Ponastavite časovnik prekomernega napajanja in se prepričajte, da ni potekel.
Krmilnik ne prepozna pomnilniške kartice Secure Digital (SD)	Preverite, ali je kartica pravilno obrnjena. Bakreni jezički kartice morajo biti obrnjeni naprej proti zaslonu krmilnika.
	Preverite, ali je kartica SD popolnoma vstavljena v režo.
	Preverite, ali je kartica SD pravilno formatirana (oblika zapisa FAT 32). Oblika zapisa MMC ni podprta. Upoštevajte navodila proizvajalca pomnilniške kartice za formatiranje kartice z osebnim računalnikom.
	Preverite, da velikost kartice ne presega 32 GB.
	Preverite, ali uporabljate kartico SD. Druge vrste kartic (na primer xSD, micro SD, mini SD) ne bodo delovale pravilno.
Podatkov ni mogoče shraniti na kartico SD ali pa ti niso shranjeni pravilno	Preverite, ali je kartica SD pravilno formatirana (oblika zapisa FAT 32). Oblika zapisa MMC ni podprta. Upoštevajte navodila proizvajalca pomnilniške kartice za formatiranje kartice z osebnim računalnikom.
	Če ste kartico SD pred tem že uporabljali, jo formatirajte v obliki zapisa FAT 32 in jo nato namestite v krmilnik ter poskusite znova prenesti podatke.
	Uporabite drugo kartico SD.
Kartica SD je polna	Kartico SD preberite z računalnikom ali drugo napravo za branje kartic. Shranite pomembne datoteke, nato pa s kartice SD zbršite nekaj ali vse datoteke.

Težava	Rešitev
Krmilnik na kartici SD ne more najti posodobitev programske opreme	SD-kartico namestite v krmilnik in preverite, ali je bila pri tem ustvarjena pravilna mapa. Mapa za posodobitev je ustvarjena samodejno.
	Kartico SD vstavite v režo osebnega računalnika in preverite, ali so datoteke shranjene v ustrezni mapi za posodobitev.
	Če isto kartico SD uporabljate za posodobitev več krmilnikov, je za vsak krmilnik v sistemu ustvarjena posebna mapa. Preverite, ali so posodobitve programske opreme shranjene v ustrezni mapi za posodobitev zelenega krmilnika.
Zaslon je vklopljen, vendar na njem ni prikazanih znakov ali pa so ti slabo vidni ali zamegljeni.	Nastavitev kontrasta zaslona
	Preverite, ali je bila zaslona odstranjena zaščitna folija.
	Očistite zunanjo stran krmilnika, vključno z zaslonom.
Krmilnik se ne vklopi, ali pa se izklaplja	Preverite, ali je napajalni vod (izmenični tok) pravilno priklopljen.
	Preverite, ali je sklop razdelilne vtičnice, napajalnega voda in vtiča pravilno nameščen.
	Obrnite se na tehnično pomoč družbe
Omrežne opreme ali senzorskega modula ni mogoče prepoznati	Preverite, ali je modul pravilno nameščen.
	Preverite, ali je izbirno stikalo modula nastavljeno na pravilno številko.
	Odstranite senzorski modul in ga vklopite v drugo analogno režo. Vključite krmilnik in počakajte, da poišče naprave.
	Obrnite se na tehnično pomoč
Krmilnik ne zazna senzorja <i>Napotek: Primer možnega sporočila na zaslonu: ****</i>	Če je priklopljen analogni senzor in je v krmilniku nameščen ustrezeni modul, si oglejte navodila, priložena omrežni opremi ali senzorskemu modulu.
	Preverite, ali je kabelski snop za prenos podatkov za digitalne module nameščen na notranji strani vratc in ali je kabelski snop poškodovan.
	Če je digitalni senzor povezan s krmilnikom z odklopnikom digitalnih signalov, priključno omarico, ki jo kupi uporabnik sam, podaljški za digitalne povezave ali podaljški, ki jih kupi uporabnik sam, senzor neposredno povežite s krmilnikom in opravite iskanje naprav. Če krmilnik senzor prepozna, preverite, ali je ožičenje v priključnih omaricah pravilno. Preverite tudi pravilno nameščenost podaljškov.
	Senzorja morata biti nameščena v krmilniku. Čeprav je na voljo dvoje analognih vrat in so nameščeni en digitalni senzor ter dva analogna modula, krmilnik prepozna samo dve od treh naprav.
	Obrnite se na tehnično pomoč družbe
Pojavi se sporočilo o manjkajoči napravi	V meniju Test/Maintenance (Test/servis) izberite možnost Device Scan (Najdi senzor).
	Vključite napajanje naprave

Sadržaj

Specifikacije na stranici 531

Opći podaci na stranici 532

Ugradnja na stranici 535

Korisničko sučelje i navigacija na stranici 549

Pokretanje sustava na stranici 551

Održavanje na stranici 552

Rješavanje problema na stranici 553

Dodatne informacije

Dodatne informacije dostupne su na web-mjestu proizvođača.

Specifikacije

Specifikacije se mogu promijeniti bez prethodne najave.

Specifikacije	Pojednosti
Opis komponenti	Kontroler s mikroprocesorom i izbornicima koji upravlja senzorem i prikazuje izmjerene vrijednosti.
Radna temperatura	-20 do 60 °C (-4 do 140 °F); 95% relativne vlažnosti, bez kondenzacije s opterećenjem senzora <7 W; -20 do 50 °C (-4 do 104 °F) s opterećenjem senzora <28 W
Temperatura za pohranu	-20 do 70 °C (-4 to 158 °F); 95% relativne vlažnosti, bez kondenzacije
Kućište ¹	Metalno kućište NEMA 4X/IP66 s premazom protiv korozije
Potrošnja struje	Kontroler s izmjeničnim napajanjem: 100 - 240 VAC ±10%, 50/60 Hz; napajanje od 50 VA s opterećenjem modula senzora/mreže od 7 W, 100 VA s 28 W opterećenja modula senzora/mreže (opcionalna mrežna veza Modbus, RS232/RS485, Profibus DPV1 ili HART). Kontroler s istosmjernim napajanjem od 24 V: 24 VDC—15%, + 20%; napajanje od 15 W s opterećenjem modula senzora/mreže od 7 W, 40 W s opterećenjem modula senzora/mreže od 28 W (opcionalna mrežna veza Modbus, RS232/RS485, Profibus DPV1 ili HART).
Visinski zahtjevi	Standardnih 2000 m (6562 ft) nadmorske visine
Razina zagađivanja / kategorija instalacija	2. razina zagađivanja; kategorija instalacija II
Izlazi	Dva analogna (0-20 mA ili 4-20 mA) izlaza. Svaki analogni izlaz može se dodijeliti da predstavlja izmjereni parametar kao što je pH, temperatura, brzina ili izračunate vrijednosti. Opcionalni modul daje tri dodatna analogna izlaza (ukupno 5).
Releji	Četiri SPDT kontakta koja konfigurira korisnik imaju nazivni napon od 250 V AC, uz maksimalni otpor za kontroler s izmjeničnim napajanjem od 5 A, 24 V DC, uz maksimalni otpor za kontroler s istosmjernim napajanjem od 5 A. Releji su dizajnirani za priključivanje u strujne krugove s izmjeničnim napajanjem (tj. pri svakom radu kontrolera uz napon od 115 - 240 V AC) ili strujne krugove s istosmjernim napajanjem (tj. pri svakom radu kontrolera uz napon od 24 V DC).
Dimenzije	½ DIN—144 x 144 x 180,9 mm (5,7 x 5,7 x 7,12 in.)
Težina	1,7 kg (3,75 lb)
Informacije o sukladnosti ²	CE odobrenje (sa svim vrstama senzora). Navedeno za upotrebu na standardnim lokacijama za sigurnosne standarde UL i CSA od strane ETL-a (sa svim vrstama senzora). Određeni modeli s napajanjem izmjeničnom strujom odobreni su za korištenje na lokacijama za koje vrijede opći sigurnosni zahtjevi u skladu sa sigurnosnim standardima UL i CSA organizacije Underwriters Laboratories (sa svim vrstama senzora).

Specifikacije	Pojedinosti
Digitalna komunikacija	Opcionalna mrežna veza Modbus RS232/RS485, Profibus DPV1 ili HART za prijenos podataka
Dnevnicu zapisa	Secure Digital kartica (maksimalno 32 GB) ili posebni RS232 kabelski priključak za zapisivanje podataka i ažuriranje softvera. Kontroler će držati približno 20.000 točaka podataka po senzoru.
Jamstvo	2 godine

- Jedinice koje imaju certifikat organizacije Underwriters Laboratories (UL) predviđene su samo za upotrebu u zatvorenom i nemaju oznaku NEMA 4X/IP66.
- Jedinice sa napajanjem istosmjernom strujom ne nalaze se na UL popisu.

Opći podaci

Ni u kojem slučaju proizvođač neće biti odgovoran za direktne, indirektne, specijalne, slučajne ili posljedične štete uzrokovane nedostacima ili propustima u ovom priručniku. Proizvođač zadržava pravo na izmjene u ovom priručniku te na opise proizvoda u bilo kojem trenutku, bez prethodne najave ili obaveze. Izmijenjena izdanja nalaze se na proizvođačevoj web stranici.

Sigurnosne informacije

OBAVIJEST

Proizvođač nije odgovoran za štetu zbog nepravilne primjene ili nepravilne uporabe ovog proizvoda uključujući, bez ograničenja, izravnu, slučajnu i posljedičnu štetu i odriče se odgovornosti za takvu štetu u punom opsegu dopuštenom prema primjenjivom zakonu. Korisnik ima isključivu odgovornost za utvrđivanje kritičnih rizika primjene i za postavljanje odgovarajućih mehanizama za zaštitu postupaka tijekom mogućeg kvara opreme.

Prije raspakiranja, postavljanja ili korištenja opreme pročitajte cijeli ovaj korisnički priručnik. Poštujte sva upozorenja na opasnost i oprez. Nepoštivanje ove upute može dovesti do tjelesnih ozljeda operatera ili oštećenja na opremi.

Uvjerite se da zaštita koja se nalazi uz ovu opremu nije oštećena. Ne koristite i ne instalirajte ovu opremu na bilo koji način koji nije naveden u ovom priručniku.

Upotreba upozorenja

▲ OPASNOST

Označava potencijalno ili neposredno opasnu situaciju koja će, ako se ne izbjegne, dovesti do smrti ili ozbiljnih ozljeda.

▲ UPOZORENJE

Označava potencijalno ili neposredno opasnu situaciju koja će, ako se ne izbjegne, dovesti do smrti ili ozbiljnih ozljeda.

▲ OPREZ





Označava potencijalno opasnu situaciju koja će dovesti do manjih ili umjerenih ozljeda.

OBAVIJEST

Označava situaciju koja, ako se ne izbjegne će dovesti do oštećenja instrumenta. Informacije koje je potrebno posebno istaknuti.

Naljepnice za upozorenje na oprez

Pročitajte sve naljepnice i oznake na instrumentu. Ako se ne poštuju može doći do tjelesnih ozljeda ili oštećenja instrumenta. Simbol na instrumentu odgovara simbolu u priručniku uz navod o mjerama predostrožnosti.

	Ovaj simbol, ako se nalazi na instrumentu, daje korisnički priručnik kao referencu za informacije o radu i/ili zaštiti.
	Ovaj simbol naznačuje da postoji opasnost od električnog i/ili strujnog udara.
	Ovaj simbol naznačuje prisutnost uređaja osjetljivih na električne izboje (ESD) te je potrebno poduzeti sve mjere kako bi se spriječilo oštećivanje opreme.
	Električna oprema označena ovim simbolom ne smije se odlagati u europskim javnim odlagalištima nakon 12. kolovoza 2005. Sukladno europskim lokalnim i nacionalnim propisima (EU direktiva 2002/96/EC), korisnici električne opreme u Europi sada moraju staru ili isteklu opremu vratiti proizvođaču koji će je odložiti bez naknade.

Certifikati

Kanadska odredba o opremi koja uzrokuje smetnje, IECS-003, klasa A:

Izvjешća s testiranja nalaze se kod proizvođača.

Ovo digitalno pomagalo klase A udovoljava svim zahtjevima Kanadskog zakona o opremi koja uzrokuje smetnje.

Cet appareil numérique de classe A répond à toutes les exigences de la réglementation canadienne sur les équipements provoquant des interférences.

FCC dio 15, ograničenja klase "A"

Izvjешća s testiranja nalaze se kod proizvođača. Uređaj je sukladan s dijelom 15 FCC pravila. Rad uređaja mora ispunjavati sljedeće uvjete:

1. oprema ne smije uzrokovati štetne smetnje.
2. Oprema mora prihvatiti svaku primljenu smetnju, uključujući smetnju koja može uzrokovati neželjen rad.

Zbog promjena ili prilagodbi ovog uređaja koje nije odobrila stranka nadležna za sukladnost korisnik bi mogao izgubiti pravo korištenja opreme. Ova je oprema testirana i u sukladnosti je s ograničenjima za digitalne uređaje klase A, koja su u skladu s dijelom 15 FCC pravila. Ta ograničenja su osmišljena da bi se zajamčila razmjerna zaštita od štetnih smetnji kada se oprema koristi u poslovnom okruženju. Ova oprema proizvodi, koristi i odašilje energiju radio frekvencije, te može prouzročiti smetnje u radio komunikaciji ako se ne instalira i koristi prema korisničkom priručniku. Koristite li ovu opremu u naseljenim područjima ona može prouzročiti smetnje, a korisnik će sam snositi odgovornost uklanjanja smetnji o vlastitom trošku. Sljedeće tehnike mogu se koristiti kao bi se smanjili problemi uzrokovani smetnjama:

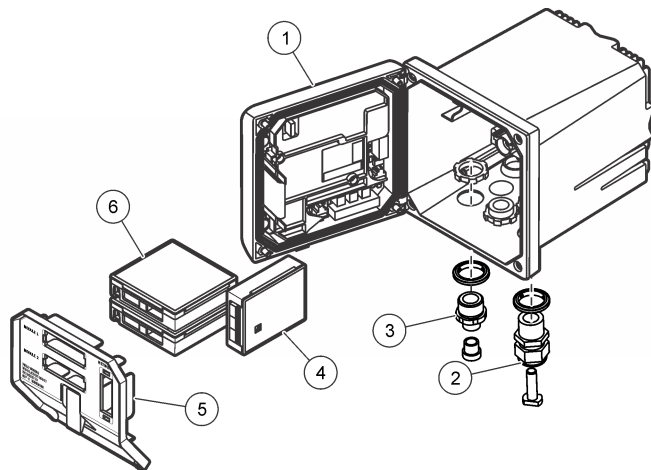
1. Isključite opremu iz izvora napajanja kako biste provjerili je li ili nije uzrok smetnji.
2. Ako je oprema uključena u istu utičnicu kao i uređaj kod kojeg se javljaju smetnje, uključite opremu u drugu utičnicu.
3. Odmaknite opremu od uređaja kod kojeg se javljaju smetnje.
4. Promijenite položaj antene uređaja kod kojeg se javljaju smetnje.
5. Isprobajte kombinacije gore navedenih rješenja.

Prikaz proizvoda

Kontroler prikazuje mjerenja senzora i druge podatke, može emitirati analogne i digitalne signale i može komunicirati s drugim uređajima i kontrolirati ih putem izlaza i releja. Izlazi, releji, senzori i moduli senzora konfiguriraju se i kalibriraju putem korisničkog sučelja s prednje strane kontrolera.

[Slika 1](#) prikazuje komponente proizvoda. Komponente mogu varirati ovisno o konfiguraciji kontrolera. Ako su dijelovi oštećeni ili nedostaju, obratite se proizvođaču.

Slika 1 Komponente sustava



1 Kontroler	4 Mrežni modul (opcionalno)
2 Sklop za umanjivanje pritiska (opcionalno, ovisno o verziji kontrolera)	5 Visokonaponska pregrada
3 Priključak digitalne veze (opcionalno, ovisno o verziji kontrolera)	6 Moduli senzora (opcionalno)

Senzori i moduli senzora

Kontroler prihvaća maksimalno dva modula senzora ili dva digitalna senzora (ovisno o konfiguraciji kontrolera), te jedan komunikacijski modul. Zajedno mogu biti montirani jedan digitalni senzor i jedan modul senzora. Razni senzori mogu biti priključeni na module senzora. Informacije o ožičenju senzora nalaze se u priručnicima za odgovarajuće senzora i u korisničkim uputama za određene module.

Izlazi i signali releja

Kontroler ima četiri relejska prekidača koja se mogu konfigurirati i dva analogna izlaza. Opcionalni analogni izlazni modul može povećati broj analognih izlaza na pet.

Skeniranja uređaja

Uz dvije iznimke, kontroler pri uključivanju automatski traži priključene uređaje bez naredbe korisnika. Prva iznimka je kad se kontroler prvi put uključi prije prve upotrebe. Druga iznimka je kad se kontroler uključi nakon što su mu postavke konfiguracije vraćene na zadane vrijednosti. U oba slučaja kontroler prvo prikazuje zaslone za jezik, datum i vrijeme. Nakon prihvaćanja unosa jezika, vremena i datuma, kontroler skenira uređaj. Za upute o traženju uređaja kad je kontroler već uključen pogledajte [Priključivanje digitalnog sc senzora](#) na stranici 548.

Kućište kontrolera

Kućište kontrolera ima oznaku NEMA 4X/IP66 i premaz protiv korozije kako bi se spriječila korozija prilikom izlaganja korozivnim tvarima kao što su slana voda i hidrogen sulfid. Kod vanjske upotrebe preporuča se zaštita od atmosferskih prilikla.

Napomena: Jedinice koje imaju certifikat organizacije Underwriters Laboratories (UL) predviđene su samo za upotrebu u zatvorenom i nemaju oznaku NEMA 4X/IP66.

Mogućnosti montaže kontrolera

Kontroler se može montirati na ploču, zid ili na okomitu ili vodoravnu cijev. U komplet je uključena i neoprenska brtva koja se može koristiti za smanjivanje vibracija. Brtva se može koristiti kao šablona za pločno montiranje prije nego što se odvoji unutrašnja brtva.

Ugradnja

Dimenzije i montiranje komponenti

▲ OPREZ

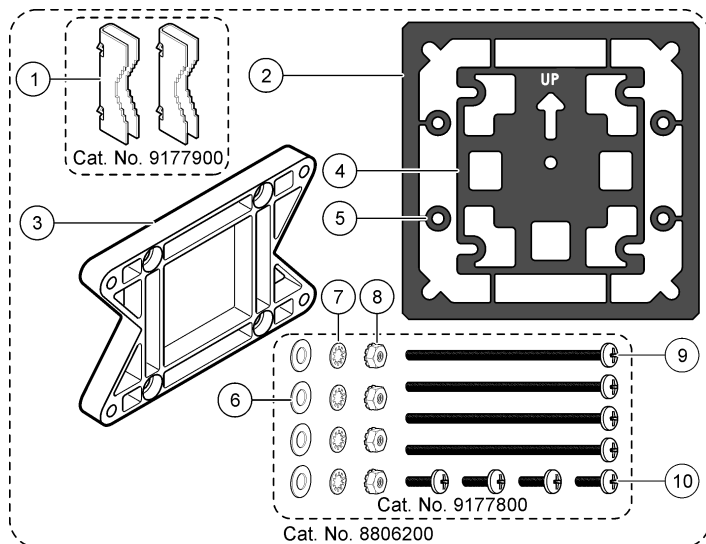
Opasnost od ozljede. Zadatke opisane u ovom odjeljku uputa treba obavljati samo kvalificirano osoblje.

Kontroler može se postaviti na površinu, ploču ili cijev (okomitu ili vodoravnu). [Slika 2](#), [Slika 3](#) na stranici 536, [Slika 4](#) na stranici 537, [Slika 5](#) na stranici 538 i [Slika 6](#) na stranici 539 prikazuju opcije montiranja i upute.

Kod montiranja na vodoravnu cijev, montažni nastavci ([Slika 2](#)) moraju se pričvrstiti na nosač za montiranje u okomitom položaju.

Kod okomitog i vodoravnog montiranja na cijev pričvrstite nosač za montiranje na kontroler kako prikazuje [Slika 5](#) na stranici 538.

Slika 2 Montažne komponente

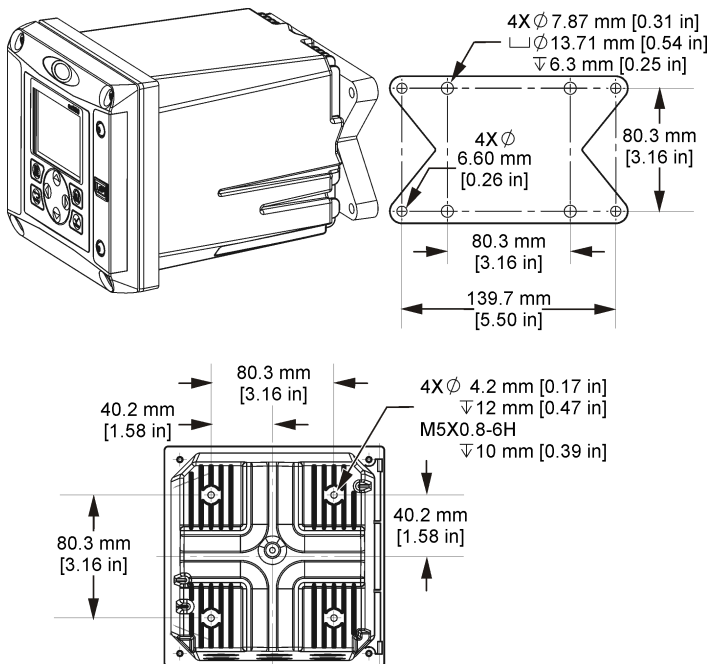


1 Montažni nastavak (2x)	6 Plosnati brtveni prsten, 1/4-inčni ID (4x)
2 Brtva za pločnu montažu, neoprenska	7 Zupčasti brtveni prsten, 1/4-inčni ID (4x)
3 Nosač za zidnu i cijevnu montažu	8 M5 x 0,8 Keps matica (4x)
4 Brtva za vibracijsku izolaciju za cijevnu montažu	9 Križni vijci, M5 x 0,8 x 100 mm (4x) (koriste se za montažu na cijevi različitih debljina)
5 Brtveni prsten za vibracijsku izolaciju za cijevnu montažu (4x)	10 Križni vijci, M5 x 0,8 x 15 mm (4x)

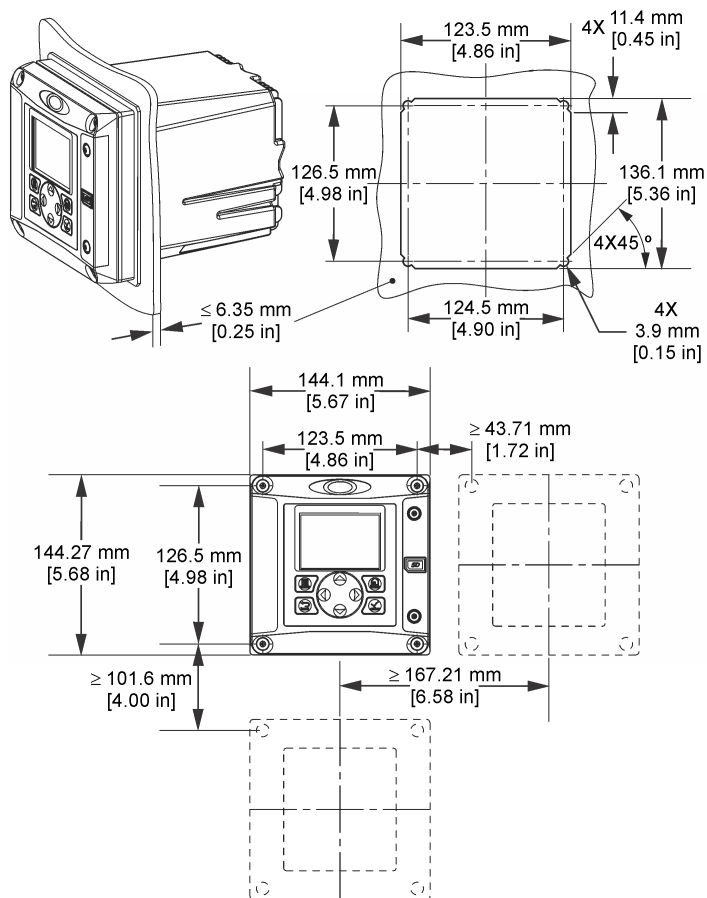
Napomena: Nosač za montiranje ploče dostupan je kao dodatna oprema.

Montaža kontrolera

Slika 3 Dimenzije površine za montažu

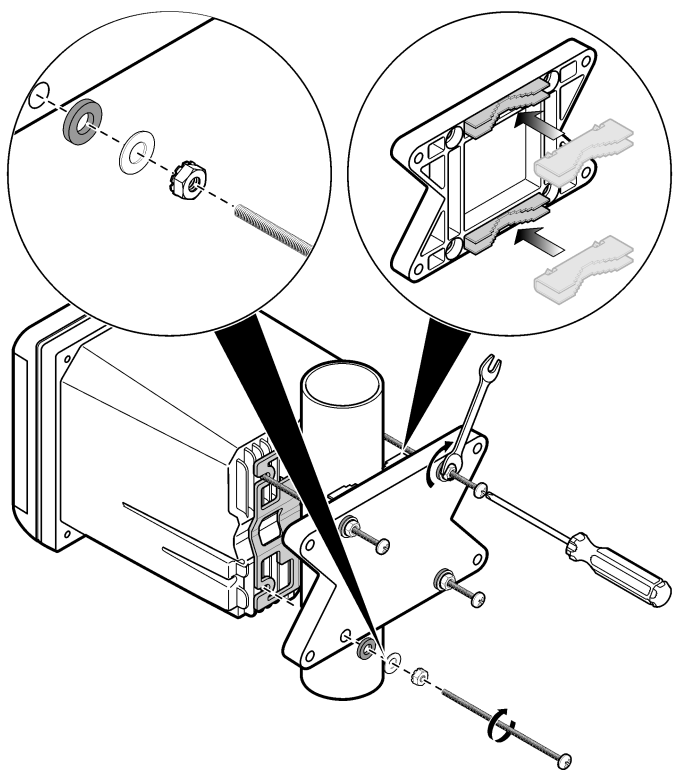


Slika 4 Dimenzije ploče za montažu

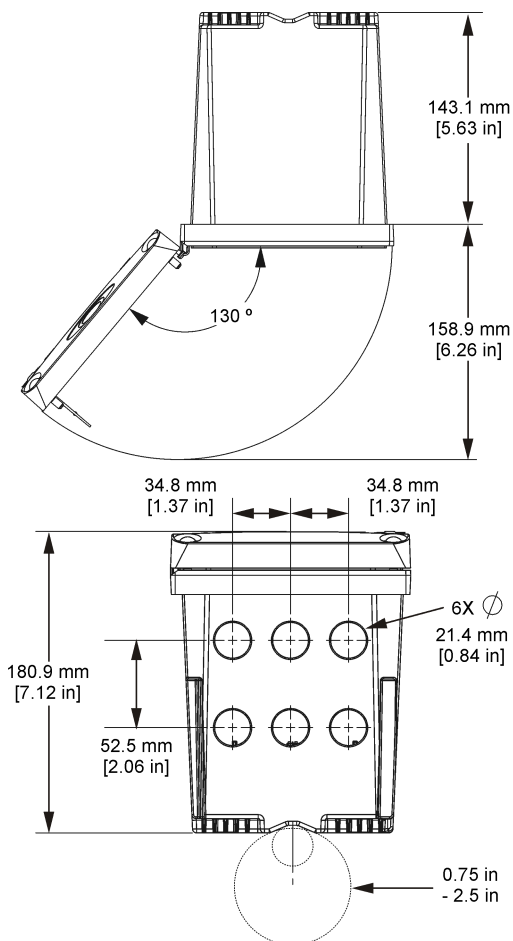


Napomena: Ako za montiranje ploče koristite nosač (dodatna oprema), gurnite kontroler kroz otvor u ploči i zatim postavite nosač preko kontrolera na stražnjoj strani ploče. Pomoću četiri vijka od 15 mm zaobljene glave (isporučeni) pričvrstite nosač na kontroler i pričvrstite kontroler na ploču.

Slika 5 Cijevna montaža (okomita cijev)



Slika 6 Pogled gornjeg i donjeg dijela



Visokonaponska pregrada

Visokonaponsko ožičenje kontrolera nalazi se iza visokonaponske pregrade u kućištu kontrolera. Pregrada mora ostati na mjestu osim u slučaju kad montirate module ili kad kvalificirani tehničar radi na žicama napajanja, alarma, izlaza ili releja. Ne uklanjajte pregradu dok je kontroler pod naponom.

Mjere predostrožnosti za elektrostatičko pražnjenje (ESD)

OBAVIJEST



Potencijalna šteta na instrumentu. Statički elektricitet može oštetiti osjetljive unutrašnje elektroničke komponente, što može dovesti do lošeg rada i kvarova.

Pogledajte korake u ovom postupku za sprječavanje oštećenja od elektrostatičkog pražnjenja na instrumentu.

- Dotaknite metalnu uzemljenu površinu poput kućišta instrumenta, metalnu cijev ili cijev za pražnjenje statičkog elektriciteta iz tijela.

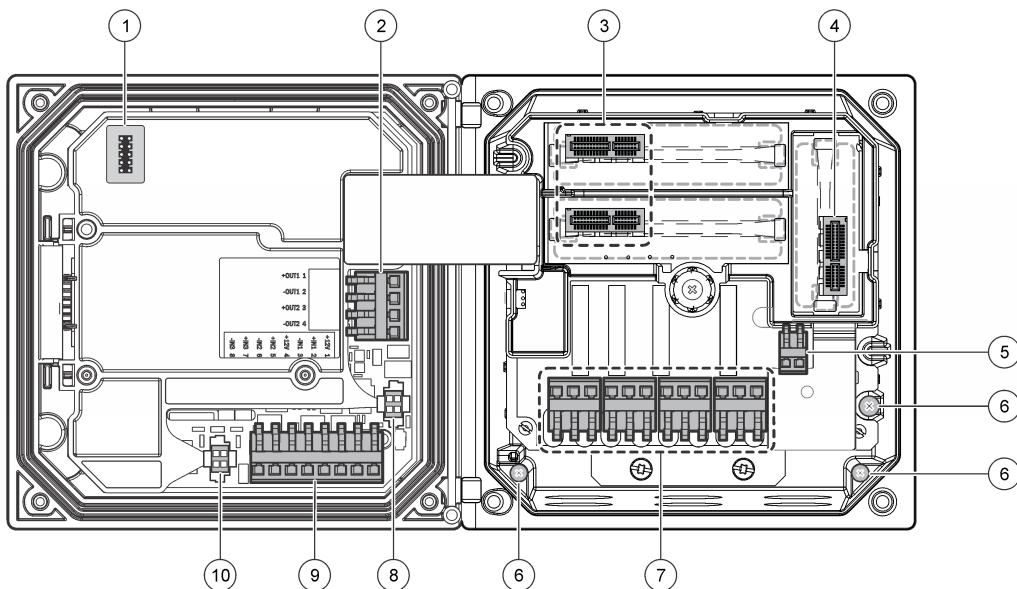
- Izbjegavajte prekomjerna pomicanja. Statički osjetljive komponente transportirajte u anti-statičkim spremnicima ili pakiranjima.
- Nosite traku na ručnom zglobu priključenu na žicu uzemljenja.
- Radite u statičko sigurnom području s antistatičkim jastučićima na podu i radnom stolu.

Pregled ožičenja

Slika 7 daje pregled ožičenja unutar kontrolera kad se skinie visokonaponska pregrada. Na lijevoj strani slike prikazana je pozadina poklopca kontrolera.

Napomena: Prije instalacije modula skinite kapice s priključaka.

Slika 7 Pregled priključaka ožičenja



1 Priključak servisnog kabela	5 Priključak izmjeničnog i istosmjernog napajanja ¹	9 Priključak ožičenja diskretnog ulaza ¹
2 4-20 mA izlaz ¹	6 Terminali uzemljenja	10 Priključak digitalnog senzora ¹
3 Priključak modula senzora	7 Priključci releja ¹	
4 Priključak komunikacijskog modula (npr. Modbus, Profibus, HART, opcionalni modul 4-20 mA itd.)	8 Priključak digitalnog senzora ¹	

¹ Za poboljšani pristup mogu se ukloniti terminali.

Priključivanje napajanja

⚠ UPOZORENJE



Opasnost od strujnog udara. Prije izvođenja električnih spojeva uvijek isključite instrument iz napajanja.

⚠ UPOZORENJE



Opasnost od strujnog udara. Ako se ova oprema koristi na otvorenom ili na potencijalno mokrim lokacijama, za priključivanje uređaja na napajanje mora se koristiti **zemljospojni prekidač**.

⚠ OPASNOST



Opasnost od strujnog udara. Nemojte priključivati izmjeničnu struju na model s istosmjernim napajanjem od 24 VDC.

⚠ UPOZORENJE



Opasnost od strujnog udara. Zaštitno uzemljenje (PE) potrebno je za oba načina napajanja, 100-240 V AC i 24 V DC. Ako ne priključite dobro uzemljenje, može doći do opasnosti od strujnog udara ili lošeg rada zbog elektromagnetskih smetnji. **UVIJEK** na terminal kontrolera priključite uzemljenje.

OBAVIJEST

Postavite uređaj na lokaciju s koje je lako pristupiti uređaju za isključivanje.

Kontroler se može kupiti kao model s napajanjem od 100-240 VAC ili 24 VDC. Pratite odgovarajuće upute za priključivanje za kupljeni model.

Kontroler se može osposobiti za kabelsko napajanje spajanjem na vod ili kabel napajanja. Bez obzira koja se žica koristi, priključuje se na iste terminale. Potreban je lokalni prekidač dizajnira za lokalne električne zahtjeve i mora biti identificiran za sve vrste instalacije. Kod permanentnog priključivanja, fluktuacije napajanja i uzemljenja moraju biti 18 do 12 AWG.

Napomene:

- Prije postavljanja strujnih priključaka mora se ukloniti visokonaponska pregrada. Nakon postavljanja svih veza, vratite pregradu na mjestu prije zatvaranja poklopca kontrolera.
- Brtvena potpora i kabel napajanja kraći od 3 metra (10 stopa) s tri 18-mjernih vodiča (uključujući uzemljenje) mogu se koristiti kao bi se održao standard NEMA 4X/IP66.
- Kontroleri se mogu naručiti tako da su kabeli za izmjenično napajanje već montirani. Mogu se naručiti i dodatni kabeli napajanja.
- Izvor jednosmjerne struje koji napaja kontroler s napajanjem od 24 VDC mora održavati napon unutar određenih granica za 24 VDC-15% +20%. Izvor jednosmjerne struje također mora davati odgovarajuću zaštitu od strujnih udara i tranzijentih prenapona.

Postupak ožičenja

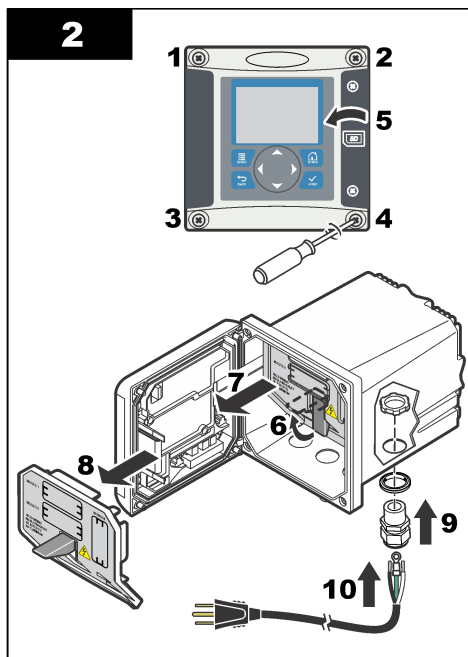
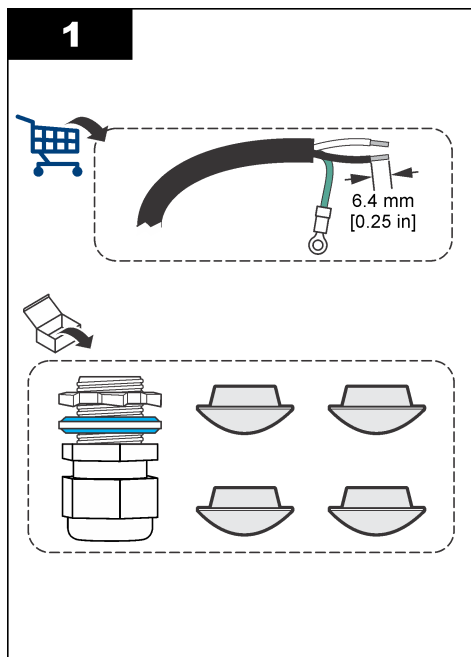
Pogledajte ilustrirane korake u nastavku te [Tablica 1](#) ili [Tablica 2](#) kako biste postavili napajanje za kontroler. Umetnite svaku žicu u odgovarajući terminal tako da izolacija počiva na priključku i da se ne vidi gola žica. Nakon umetanja lagano potegnite kako biste provjerili je li veza čvrsta. Zabrtvite neiskorištene otvore u kutiji kontrolera brtvjenim čepovima.

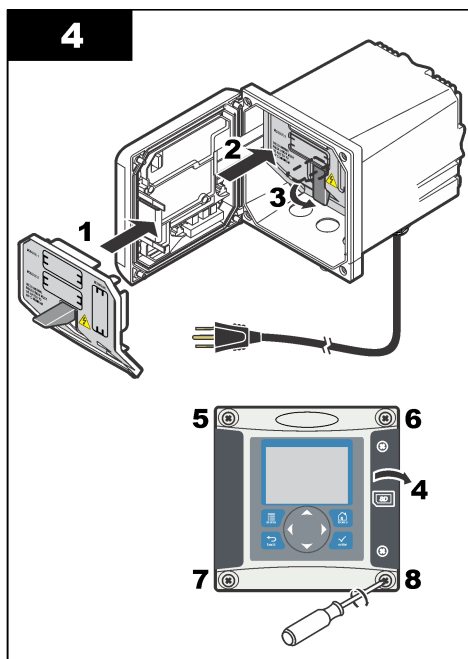
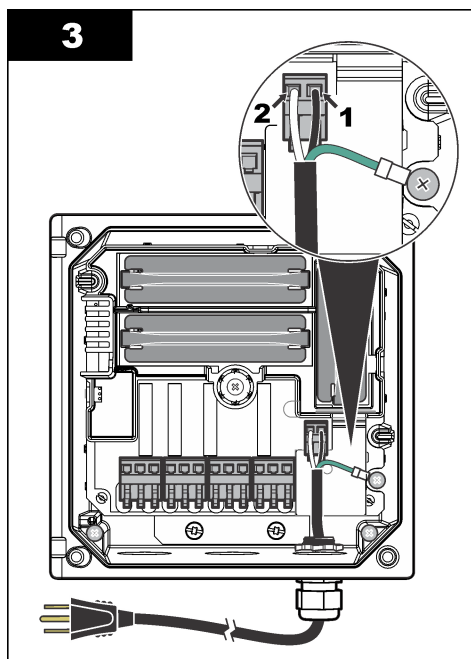
Tablica 1 Podaci o ožičenju za izmjeničnu struju (samo izmjenično napajani modeli)

Terminal	Opis	Boja—Sjeverna Amerika	Boja—EU
1	Pod naponom (L1)	Crna	Smeđa
2	Neutralna (N)	Bijela	Plava
—	Uzemljenje	Zelena	Zelena s žutim trakama

Tablica 2 Podaci o ožičenju za istosmjernu struju (samo istosmjerno napajani modeli)

Terminal	Opis	Boja—Sjeverna Amerika	Boja—EU
1	+24 V DC	Crvena	Crvena
2	24 V DC, povratni	Crna	Crna
—	Uzemljenje	Zelena	Zelena s žutim trakama





Alarmi i releji

Kontroler je opremljen s četiri nenapajana jednopolna releja s 100-250 VAC, 50/60 Hz, 5 A maksimalne otpornosti. Kontakti imaju 250 VAC, 5 A maksimalne otpornosti za kontroler napajan izmjeničnom strujom i 24 VDC, 5 A maksimalne otpornosti za kontroler napajan istosmjernom strujom. Relejima nije određeno induktivno opterećenje.

Priključivanje releja

⚠ UPOZORENJE



Opasnost od strujnog udara. Prije izvođenja električnih spojeva uvijek isključite instrument iz napajanja.

⚠ UPOZORENJE



Opasnost od požara. Kontakti releja testirani su za 5 A i nisu spojeni. Vanjski kabeli priključeni na releje moraju imati uređaje za ograničavanje napona tako da napon bude < 5 A.

⚠ UPOZORENJE



Opasnost od požara. Nemojte lančano priključivati standardne priključke releja ili kratkospojnika s priključka napajanja unutar instrumenta.

⚠ UPOZORENJE



Opasnost od strujnog udara. Kako bi se održali NEMA/IP standardi kućišta, za provođenje kabela u instrumentu koristite samo priključke vodova i provodnike kabela odobrene za najmanje NEMA 4X/IP66.

Kontroleri s izmjeničnim napajanje (100—250 V)

Odjeljak ožičenja nije dizajniran za napon veći od 250 VAC.

Kontroleri s istosmjernim napajanjem od 24 VDC

⚠ UPOZORENJE



Opasnost od strujnog udara. Kontroleri s napajanjem izmjeničnom strujom (115 V–230 V) dizajnirani su za povezivanje releja na strujne krugove napajanja izmjeničnom strujom (tj. napone više od 16 V-RMS, 22,6 V-PEAK ili 35 VDC).

⚠ UPOZORENJE



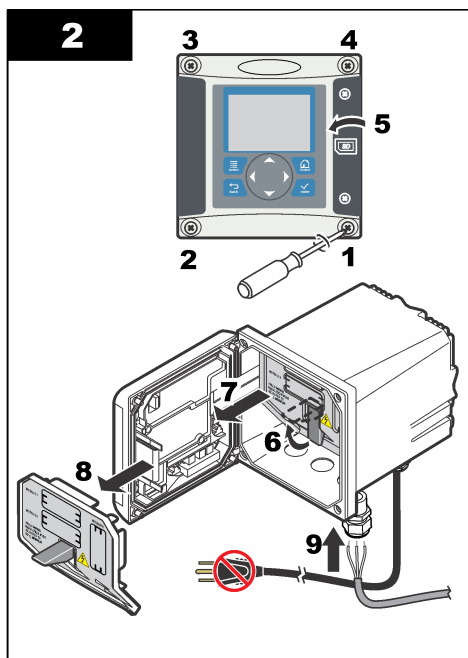
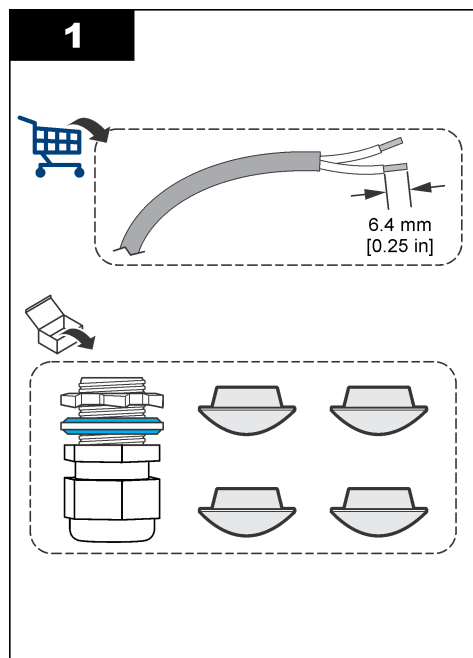
Opasnost od strujnog udara. Kontroleri s napajanjem od 24 V dizajnirani su za povezivanje releja na strujne krugove niskog napona (tj. napone niže od 16 V-RMS, 22,6 V-PEAK ili 35 VDC).

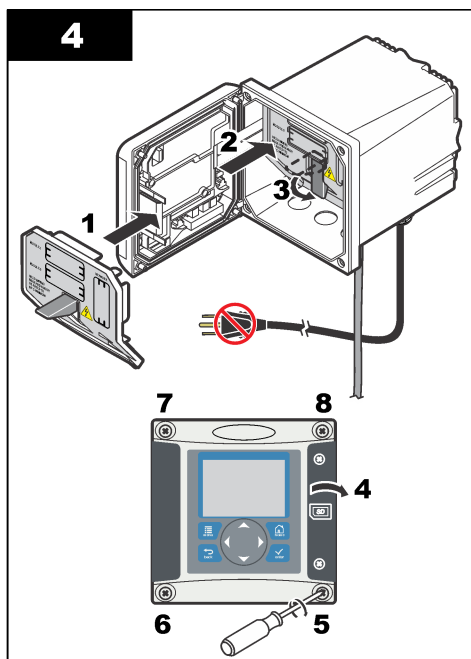
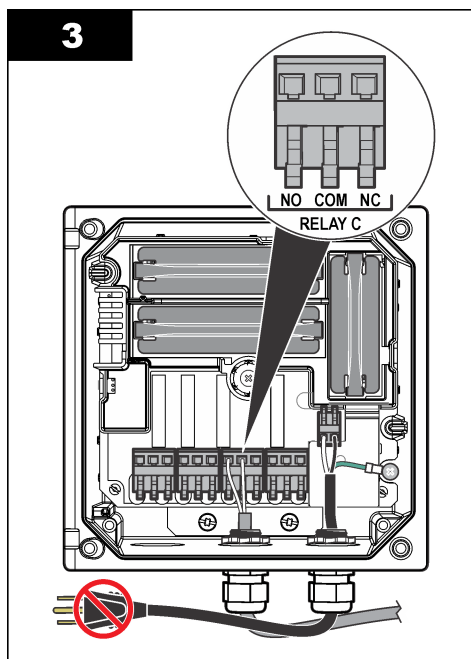
Releji kontrolera s napajanjem od 24 VDC dizajnirani su za povezivanje sa sklopovima s niskim naponima (tj. naponima nižim od 30 V-RMS, 42,2 V-PEAK ili 60 VDC). Odjeljak ožičenja nije dizajniran za napone iznad tih razina.

Priključak releja prihvaća obujma 18–12 AWG (kako je određeno opterećenjem). Ne preporuča se obujam žice manji od 18 AWG.

Uobičajeno otvoreni (NO) i standardni (COM) kontakti releja priključit će se kad bude aktivan alarm ili neki drugi uvjet. Uobičajeno otvoreni (NO) i standardni (COM) kontakti releja priključit će se kad ne bude aktivan alarm ili neki drugi uvjet (osim ako je Fail Safe (Sigurnosna stavka) postavljena na Yes (Da)) ili kad se isključi napajanje kontrolera.

Većina veza releja koriste terminale NO i COM tili terminale NC i COM. Numerirani koraci za instalaciju prikazuju vezu s terminalima NO i COM.





Analogni izlazni priključci

⚠ UPOZORENJE



Opasnost od strujnog udara. Prije izvođenja električnih spojeva uvijek isključite instrument iz napajanja.

⚠ UPOZORENJE



Opasnost od strujnog udara. Kako bi se održali NEMA/IP standardi kućišta, za provođenje kabela u instrumentu koristite samo priključke vodova i provodnike kabela odobrene za najmanje NEMA 4X/IP66.

Postoje dva izolirana analogni izlaza (1 i 2) (Slika 8). Takvi izlazi se u pravilu koriste za analognu signaliziranje ili upravljanje drugim vanjskim uređajima.

Žicama povežite s kontrolerom kako to prikazuju Slika 8 i Tablica 3.

Napomena: Slika 8 prikazuje pozadinu poklopca kontrolera, a ne unutrašnjost glavnog odjeljka kontrolera.

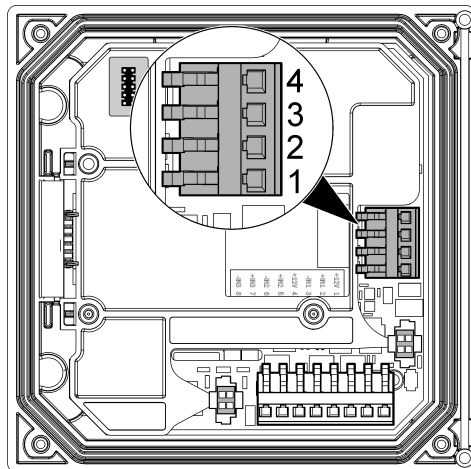
Tablica 3 Izlazne veze

Ožičenje snimača	Položaj sklopovske pločice
Output 2– (Izlaz 2–)	4
Izlaz 2+	3
Output 1– (Izlaz 1–)	2
Izlaz 1+	1

1. Otvorite poklopac kontrolera.
2. Gurnite žice kroz kabelsku uvednicu.
3. Po potrebi podesite žicu i pritegnite držač.

4. Povežite zaštićenom dvožičnom paricom i povežite zaštitu kod kontrolirane komponente ili kod kontrolne petlje.
 - Zaštitu nemojte povezivati na obje strane kabela.
 - Ako koristite nezaštićeni kabel, može doći do emisije frekvencija ili uređaj može postati podložan smetnjama više no što je to dozvoljeno.
 - Maksimalni otpor petlje je 500 oma.
5. Zatvorite poklopac kontrolera i pritegnite vijke.
6. Konfigurirajte izlaze u kontroleru.

Slika 8 Analogni izlazni priključci



Priključci ožičenja za diskretan ulaz

▲ UPOZORENJE



Opasnost od strujnog udara. Prije izvođenja električnih spojeva uvijek isključite instrument iz napajanja.

▲ UPOZORENJE

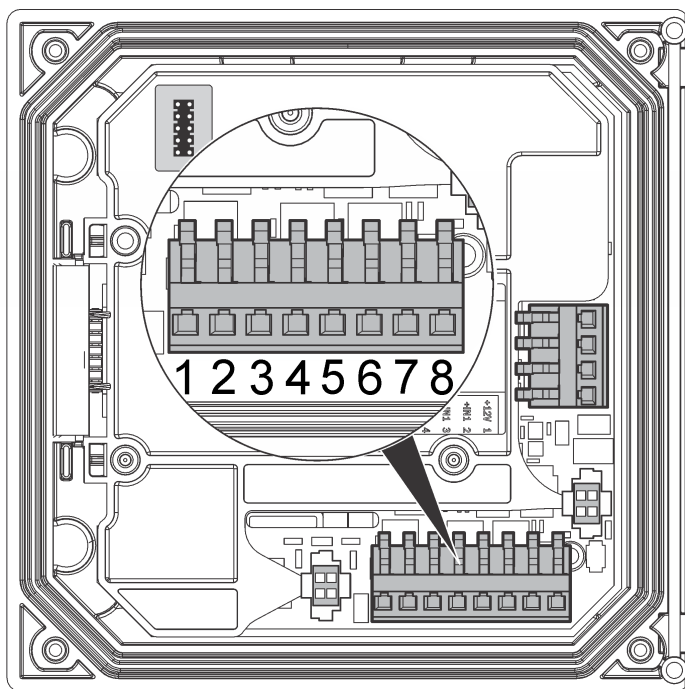


Opasnost od strujnog udara. Kako bi se održali NEMA/IP standardi kućišta, za provođenje kabela u instrumentu koristite samo priključke vodova i provodnike kabela odobrene za najmanje NEMA 4X/IP66.

Za ulaz zatvarača sklopke ili ulaz logičke razine napona namijenjena su tri diskretna ulaza. Priključite žice i konfigurirajte postavke kratkospojnika na kontroleru na način prikazan na [Slika 9](#), [Tablica 4](#) i [Slika 10](#).

Napomena: [Slika 9](#) prikazuje pozadinu poklopca kontrolera, a ne unutrašnjost glavnog odjeljka kontrolera.

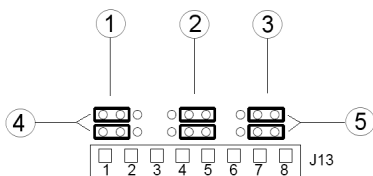
Slika 9 Priklučci ožičenja za diskretan ulaz



Tablica 4 Ulazni priključci

Diskretni ulazi	Položaj priključka – ulaz sklopke	Položaj priključka – ulaz napona
Ulaz 1+	3	2
Ulaz 1-	2	3
Ulaz 2+	6	5
Ulaz 2-	5	6
Ulaz 3+	8	7
Ulaz 3-	7	8

Slika 10 Postavke kratkospojnika



1 Konfigurirani kratkospojnici za ulaz 1	4 Kratkospojnici s lijeve strane za ulaz sklopke
2 Konfigurirani kratkospojnici za ulaz 2	5 Kratkospojnici s desne strane za ulaz napona
3 Konfigurirani kratkospojnici za ulaz 3	

1. Otvorite poklopac kontrolera.
2. Provedite žice kroz brtvu kabela.
3. Po potrebi podesite žicu i zategnite brtvu kabela.
4. Kratkospojnici se nalaze neposredno iza priključka. Uklonite priključak radi lakšeg pristupa kratkospojnicima i konfigurirajte postavke kratkospojnika sukladno vrsti ulaza na način prikazan na [Slika 10](#).
5. Zatvorite poklopac kontrolera i pritegnite vijke.
6. Konfigurirajte ulaze kontrolera.

Napomena: U načinu rada za **ulaz sklopke** kontroler u sklopku šalje napon od 12 volti, a ulaz nije izoliran od kontrolera. U načinu rada za **ulaz napona** ulazi su izolirani od kontrolera (korisnički napon ulaza od 1 do 30 volti).

Priključivanje digitalnog sc senzora

Napomena: Za priključivanje analognog senzora pogledajte upute u priručniku za modul ili senzor.

Digitalni senzor može se priključiti na kontroler putem brzog priključka ([Slika 11](#)). Digitalni senzor može se priključiti bez obzira je li kontroler uključen ili isključen.

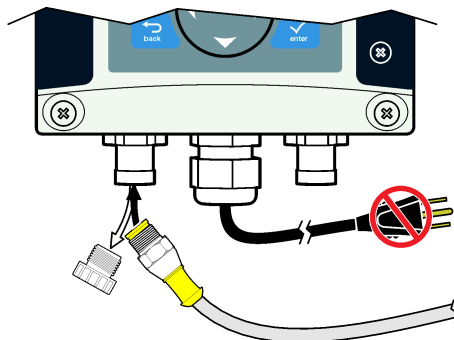
Kad se senzor priključuje dok je kontroler uključen, kontroler ne pokreće automatsko traženje uređaja. Kako biste pokrenuli traženje uređaja, otvorite izbornik Test/Maintenance (Testiranje/održavanje) i odaberite Scan Devices (Skeniranje uređaja). Ako se pronađe novi uređaj, kontroler pokreće postupak instalacije bez dodatnih akcija od strane korisnika.

Kad se senzor priključuje dok je kontroler isključen, kontroler pokreće traženje uređaja kad se ponovo uključi. Ako se pronađe novi uređaj, kontroler pokreće postupak instalacije bez dodatnih akcija od strane korisnika.

Spremite kapicu priključka kako biste zatvorili otvor na njemu u slučaju da morate skinuti senzor.

Slika 11 Brzi priključak za digitalni senzor

1.



Priključivanje opcionalnog izlaza za digitalnu komunikaciju

Proizvođač podržava komunikacijske protokole Modbus RS485, Modbus RS232, Profibus DPV1 i HART. Opcionalni modul za digitalni izlaz instalira se na lokaciju označenu stavkom 4 na [Slika 7](#) na stranici 540. Dodatne pojedinosti potražite u uputama koje su isporučene s mrežnim modulom.

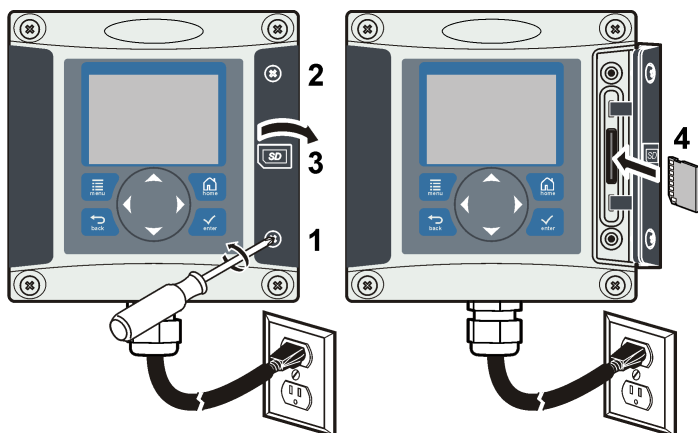
Za informacije o Modbus registrima idite na <http://www.hach-lange.com> ili <http://www.hach.com> i potražite frazu *Modbus registri* ili idite na bilo koju stranicu proizvođa sc200.

Umetanje memorijske kartice Secure Digital (SD)

[Slika 12](#) donosi upute o umetanju SD kartice u kontroler. Upute kako koristiti SD memorijsku karticu možete pronaći u proširenoj verziji ovog priručnika.

SD karticu izvadite tako što ćete ju gurnuti i otpustiti, a zatim izvući iz utora. Kad izvadite karticu, zatvorite poklopac utora i pritegnite vijke poklopcu.

Slika 12 Umetanje SD kartice

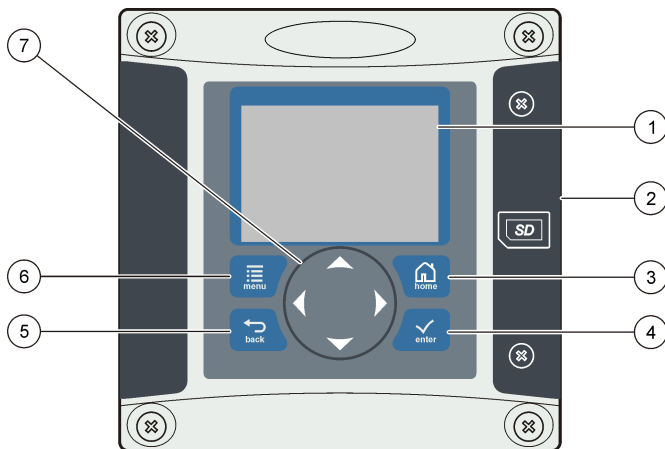


Korisničko sučelje i navigacija

Korisničko sučelje

Tipkovnica ima četiri tipke izbornika i četiri strelice kako prikazuje Slika 13.

Slika 13 Pregled tipkovnice i prednje ploče



1 Zaslona instrumenta	5 Tipka BACK . Vraća za jednu razinu u strukturi izbornika.
2 Poklopac utora SD kartice	6 Tipka MENU . Premješta na izbornik Settings (Postavke) iz drugih zaslona i podizbornika.
3 Tipka HOME . Vraća glavni mjerni zaslona i podizbornika.	7 Strelice. Koriste se za kretanje kroz izbornike, promjenu postavki i povećavanje ili smanjivanje brojeva.
4 Tipka ENTER . Prihvaća unesene vrijednosti, ažuriranja i prikazane opcije izbornika.	

Ulazni i izlazni podaci postavljaju se i konfiguriraju putem prednje ploče pomoću tipkovnice i zaslona. Ovo korisničko sučelje koristi se za postavljanje i konfiguriranje ulaznih i izlaznih podataka, stvaranje

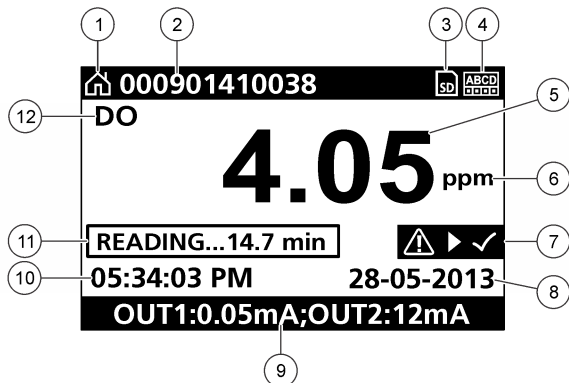
dnevnik i izračunatih vrijednosti te kalibriranje senzora. SD sučelje može se koristiti za spremanje zapisa i ažuriranje softvera.

Zaslon

Slika 14 daje primjer glavnog mjernog zaslona s DO senzorom priključenim na kontroler.

Zaslon prednje ploče prikazuje mjerne podatke senzora, postavke kalibracije i konfiguracije, pogreške, upozorenja i druge informacije.

Slika 14 Primjer glavnog mjernog zaslona



1 Ikona početnog zaslona	7 Statusna traka za upozorenja
2 Naziv senzora	8 Datum
3 Ikona SD memorijske kartice	9 Vrijednosti analognog izlaza
4 Indikator statusa releja	10 Vrijeme
5 Vrijednost mjerenja	11 Traka prikaza tijeka
6 Jedinica mjerenja	12 Parametar mjerenja

Tablica 5 Opisi ikona

Ikona	Opis
Početni zaslon	Ikona može varirati ovisno o zaslonu ili izborniku koji se prikazuje. Na primjer, ako je umetnuta SD kartica, ovdje će se prikazati ikona SD kartice kad korisnik otvori izbornik s postavkama SD kartice.
SD memorijska kartica	Ova ikona prikazuje se samo ako se u utoru čitača nalazi SD kartica. Ove se ikona prikazuje u gornjem lijevom kutu kada se korisnik nalazi u izborniku za postavljanje SD kartice.
Upozorenje	Ikona upozorenja sastoji se od uskličnika unutar trokuta. Ikone upozorenja prikazuju se na desnoj strani glavnog zaslona ispod vrijednosti mjerenja. Pritisnite tipku ENTER i zatim odaberite uređaj kako biste pregledali sve probleme povezane s tim uređajem. Ikona upozorenja više se neće prikazivati nakon što se svi problemi isprave ili potvrde.
Pogreška	Ikona pogreške sastoji se od uskličnika unutar kružnice. Kada dođe do pogreške, ikona pogreške i zaslon mjerenja naizmjenično će treperiti na glavnom zaslonu. Za pregledavanje grešaka pritisnite tipku MENU (IZBORNIK) i odaberite Diagnostics (Dijagnostika). Zatim odaberite uređaj kako biste pregledali sve probleme povezane s tim uređajem.

Dodatni formati zaslona

- Na glavnom zaslonu mjerenja pritisnite tipke sa strelicama **GORE** i **DOLJE** kako biste mijenjali parametre mjerenja

- Na glavnom zaslonu mjerenja pritisnite tipku sa strelicom **DESNO** kako biste prešli na podijeljen zaslon s do 4 parametra mjerenja. Pritisnite tipku sa strelicom **DESNO** kako biste uključili dodatna mjerenja. Po potrebi pritisnite tipku sa strelicom **LIJEVO** kako biste se vratili na glavni zaslon mjerenja.
- Na glavnom zaslonu mjerenja pritisnite tipku sa strelicom **LIJEVO** kako biste prešli na grafički zaslon (pogledajte [Zaslon grafikona](#) na stranici 551 za definiranje parametara). Pritisnite tipke sa strelicama **GORE** i **DOLJE** za mijenjanje grafikona mjerenja

Zaslon grafikona

Na grafikonu se prikazuju mjerenja koncentracije i temperature za svaki kanal koji se koristi. Grafikon omogućuje jednostavno praćenje trendova i prikazuje promjene u procesu.

1. Na grafičkom zaslonu pomoću tipki sa strelicama gore i dolje odaberite grafikon i pritisnite tipku **HOME** (POČETNO).
2. Odaberite opciju:

Opcija	Opis
MEASUREMENT VALUE (VRIJEDNOST MJERENJA)	Vrijednost mjerenja postavite za odabrani kanal. Odaberite između Auto Scale (Automatsko skaliranje) i Manually Scale (Ručno skaliranje). Za ručno skaliranje unesite minimalne i maksimalne vrijednosti mjerenja.
DATE & TIME RANGE (RASPON DATUMA I VREMENA)	Odaberite raspon datuma i vremena među dostupnim opcijama

Pokretanje sustava

Prilikom prvog pokretanja redom se prikazuju zaslone Language (Jezik), Date Format (Format datuma) i Date/Time (Datum/vrijeme). Nakon podešavanja tih opcija kontroler obavlja skeniranje uređaja i prikazuje poruku **Scanning for devices. Please wait...** (Skeniranje uređaja u tijeku. Pričekajte...). Ako pronađe novi uređaj, kontroler obavlja instalaciju prije prikazivanja glavnog mjernog zaslona.

Ako skeniranje prepozna prethodno instalirane uređaje bez promjena u konfiguraciji, glavni mjerni zaslon uređaja koji je na poziciji broj jedan prikazuje se neposredno nakon dovršetka skeniranja.

Ako je uređaj uklonjen s kontrolera ili nije pronađen tijekom sljedećeg skeniranja pokrenutog pokretanjem ili sa izbornika, kontroler prikazuje poruku **Device missing** (Uređaj nedostaje) i daje odzivnik za brisanje uređaja.

Ako u montirani analogni modul nije priključen nikakav senzor, kontroler će ukazati na pogrešku. Ako su uređaji priključeni, ali i kontroler ne prepoznaje, pogledajte [Rješavanje problema](#) na stranici 553.

Prvo postavljanje jezika, datuma i vremena

Kad se kontroler prvi put uključi i kad se uključi nakon vraćanja postavki konfiguracije na zadane postavke, prikazuju se zaslone za postavljanje jezika, datuma i vremena.

Nakon jezika, opcije za datum i vrijeme se postavljaju prvi put. Ažurirajte ih po potrebi putem izbornika uređaja sc200.

1. Na zaslonu Language (Jezik) označite jezik na popisu opcija i pritisnite tipku **ENTER**. Zadani jezik kontrolera je engleski. Odabrani jezik se sprema. Prikazuje se zaslon Date Format (Format datuma).
2. Na zaslonu Date Format (Format datuma) označite format i pritisnite tipku **ENTER**. Format datum i vremena se sprema. Nakon toga se prikazuje zaslon Date /Time (Datum/vrijeme).
3. Na zaslonu Date /Time (Datum/vrijeme) pritisnite strelice **DESNO** ili **LIJEVO** kako biste označili polje, a zatim pritisnite strelice **GORE** i **DOLJE** kako biste prilagodili vrijednost u polju. Po potrebi prilagodite ostala polja.
4. Pritisnite tipku **ENTER**.

Promjene se spremaju i kontroler pokreće početno traženje uređaja. Ako se pronađu priključeni uređaji, kontroler prikazuje glavni mjerni zaslon za uređaj na poziciji broj jedan. Ako kontroler ne prepozna priključene uređaje, pogledajte [Rješavanje problema](#) na stranici 553.

Informacije o konfiguraciji kontrolera

Opće informacije o opcijama konfiguracije nalaze se u tablici.

1. Za otvaranje opcija izbornika odaberite **sc200 Setup** (Postavljanje sc200) na izborniku **Settings** (Postavke).

Opcija	Opis
Security setup (Sigurnosne postavke)	Postavlja preference za lozinku.
Output setup (Postavke izlaza)	Konfigurira analogne izlaze kontrolera
Postavljanje releja	Konfigurira releje kontrolera
Display setup (Postavke zaslona)	Konfigurira zaslon kontrolera
Set Date/Time (Postavke datuma/vremena)	Postavlja datum i vrijeme na kontroleru
Datalog setup (Postavke zapisivanja podataka)	Konfigurira opcije zapisivanja podataka Dostupno samo ako je postavljena opcija Calculation (Izračun).
Manage Data (Upravljanje podacima)	Odabir uređaja s popisa instaliranih komponenti u svrhu prikaza podataka ili dnevnika događaja
Error Hold Mode (Zadržavanje kod pogreške)	Hold Outputs (Zadržavanje izlaza) —Zadržava izlaze na posljednjoj poznatoj vrijednosti kad dođe do prekida komunikacije između kontrolera i senzora. Transfer Outputs (Prijenos izlaza) —Prebacuje se u prijenos kad dođe do prekida komunikacije između kontrolera i senzora. Izlazi se prebacuju na prethodno definiranu vrijednost.
Calculation (Izračun)	Konfigurira matematičku funkciju kontrolera
sc200 Information (Podaci za sc200)	S/W VER: (Verzija softvera) – prikazuje se trenutna verzija softvera za kontroler Bootloader VER: (Verzija pokretačkog programa)—prikazuje verziju trenutnog pokretačkog programa. Pokretački program je datoteka koja pokreće glavni operacijski sustav kontrolera S/N: (Serijski broj) – prikazuje serijski broj kontrolera Version: (Verzija) – prikazuje trenutnu verziju hardvera za kontroler
Discrete Input Setup (Postavljanje diskretnog ulaza)	Konfigurira tri kanala za diskretan ulaz
Jezik	Dodjeljuje jezik koji će se koristiti u kontroleru

2. Odaberite opciju i pritisnite **ENTER** kako biste aktivirali stavku izbornika.

Održavanje

▲ OPREZ



Višestruka opasnost. Zadatke opisane u ovom odjeljku priručnika treba obavljati isključivo kvalificirano osoblje.

Čišćenje kontrolera

▲ OPASNOST



Prije provođenja aktivnosti održavanja uvijek isključite kontroler iz napona.

Napomena: Za čišćenje bilo kojeg dijela kontrolera nikada nemojte koristiti zapaljiva ili korozivna otapala. Korištenje takvih otapala može narušiti zaštitu uređaja i dovesti do poništenja valjanosti jamstva.

1. Poklopac kontrolera mora biti dobro zatvoren.
2. Vanjštinu kontrolera brišite tkaninom natopljenom vodom ili mješavinom vode i blagog deterdženta.

Rješavanje problema

Problem	Rješenje
Nema strujnog izlaza	Provjerite konfiguraciju strujnog izlaza.
	Testirajte signal strujnog izlaza putem podizbornika (Testiranje/održavanje). Unesite vrijednost struje i provjerite izlazni signal na priključcima kontrolera.
	Obratite se u odjel za tehničku podršku.
Neispravan strujni izlaz	Provjerite konfiguraciju strujnog izlaza.
	Testirajte signal strujnog izlaza putem podizbornika (Testiranje/održavanje). Unesite vrijednost struje i provjerite izlazni signal na priključcima kontrolera. Ako je izlaz ispravan, obavite kalibraciju izlaza.
Relej se ne aktivira	Provjerite jesu li priključci releja sjeli na mjesto.
	Ako koristite vanjsko napajanje, provjerite je li ožičenje releja ispravno.
	Provjerite je li konfiguracija releja ispravna.
	Testirajte aktivaciju releja putem izbornika Test/Maintenance (Testiranje/održavanje). Relej bi se trebao ispuniti energijom i ispustiti energiju prema odabiru.
	Provjerite da kontroler nije u kalibracijskom načinu rada, te da relej nije zadržan.
	Ponovo postavite Overfeed Timer (Timer preopterećenja) kako biste bili sigurni da nije istekao.
Kontroler nije prepoznao Secure Digital (SD) karticu	Provjerite je li SD kartica ispravno orijentirana. Bakreni kontakti trebali bi biti okrenuti prema zaslonu kontrolera.
	Provjerite da li SD kartica ispravno sjedi u utoru te je li opružni zasun aktiviran.
	Provjerite je li SD kartica ispravno formatirana na format Fat 32. Format MMC nije podržan. Pratite upute proizvođača kako biste formatirali SD karticu na računalu.
	Kapacitet kartice ne smije biti veći od 32 GB.
	Provjerite da li se koristi SD kartica. Druge vrste kartica (npr. xSD, micro SD, mini SD) neće raditi kako treba.

Problem	Rješenje
Informacije se ne spremaju ili se ne spremaju kako treba na SD karticu.	Provjerite je li SD kartica ispravno formatirana na format Fat 32. Format MMC nije podržan. Pratite upute proizvođača kako biste formatirali SD karticu na računalo.
	Ako je SD kartica prethodno korištena, formatirajte karticu na format Fat 32, umetnite ju u kontroler i pokušajte preuzeti datoteke.
	Pokušajte s drugom SD karticom.
SD kartica je puna	SD karticu očitajte pomoću računala ili drugog uređaja za čitanje kartica. Spremite važne datoteke, a zatim izbrišite neke ili sve datoteke na SD kartici.
Kontroler ne može pronaći ažuriranja softvera na SD kartici.	Umetanjem SD kartice u kontroler možete provjeriti je li stvorena odgovarajuća mapa. Automatski se stvara mapa za ažuriranje.
	Umetnite SD karticu u računalo i provjerite da li se datoteke softvera nalaze u odgovarajućoj mapi za ažuriranje.
	Ako se ista SD kartica koristi za više kontrolera, svaki kontroler će u sustavu imati zasebnu mapu. Provjerite nalaze li se ažuriranja softvera u mapi namijenjenoj kontroleru koji se koristi.
Zaslon je upaljen, ali ne prikazuje znakove ili su znakovi mutni i slabo vidljivi.	Podешavanje kontrasta zaslona
	Provjerite je li zaštitni film skinut sa zaslona.
	Očistite vanjsku površinu kontrolera, uključujući zaslon.
Kontroler se ne uključuje ili se uključuje isprekidano	Provjerite jesu li priključci izmjenične struje pravilno priključeni u kontroler.
	Provjerite jesu li kabel napajanja i zidni utikač ispravno priključeni.
	Obratite se u odjel za tehničku podršku
Modul mreže ili senzora nije prepoznat	Provjerite je li modul ispravno montiran.
	Provjerite je li prekidač modula postavljen na ispravni broj.
	Izvadite modul senzora i priključite ga u drugi analogni utor. Počnite napajati kontroler i neka kontroler obavli skeniranje uređaja.
	Obratite se u odjel za tehničku podršku.
Senzor nije prepoznat <i>Napomena: Primjer moguće poruke na zaslonu: ****</i>	Ako je senzor analogni, a u kontroler je priključen odgovarajući modul, pogledajte upute koje su isporučene s modulom mreže ili senzora.
	Provjerite nalazi li se višezilni kabel s digitalnim priključcima unutar vratašca te da nije oštećen.
	Ako je digitalni senzor priključen na kontroler putem priključnog uređaja, korisnikove razvodne kutije, digitalnih produžnih kabela ili korisnikovog produžnog kabela, priključite senzor izravno na kontroler i obavite skeniranje uređaja. Ako kontroler prepoznaje senzor, provjerite jesu li žice u razvodnoj kutiji ili produžnim kabelima ispravno priključene.
	Na kontroler mogu biti montirana samo dva senzora. Iako su dostupna dva analogna priključka, ako je uz dva analogna modula priključen i digitalni senzor, kontroler će prepoznati samo dva od ta tri uređaja.
	Obratite se u odjel za tehničku podršku

Problem	Rješenje
Prikazuje se poruka o pogrešci Device Missing (Nedostaje uređaj)	U izborniku Test/Maintenance (Testiranje/održavanje) pokrenite Device Scan (Skeniranje uređaja).
	Obavite ciklus napajanja na kontroleru

Πίνακας περιεχομένων

Προδιαγραφές στη σελίδα 556

Γενικές πληροφορίες στη σελίδα 557

Εγκατάσταση στη σελίδα 560

Διεπαφή και πλοήγηση χρήστη στη σελίδα 576

Έναρξη λειτουργίας συστήματος στη σελίδα 578

Συντήρηση στη σελίδα 579

Αντιμετώπιση προβλημάτων στη σελίδα 580

Πρόσθετες πληροφορίες

Περισσότερες πληροφορίες είναι διαθέσιμες στην ιστοσελίδα του κατασκευαστή.

Προδιαγραφές

Οι προδιαγραφές υπόκεινται σε αλλαγές χωρίς προειδοποίηση.

Προδιαγραφή	Λεπτομέρειες
Περιγραφή εξαρτημάτων	Ελεγκτής ελεγχόμενος από μικροεπεξεργαστή και με καθοδηγούμενο μενού για τη λειτουργία του αισθητηρίου και την απεικόνιση των τιμών μέτρησης.
Θερμοκρασία λειτουργίας	-20 έως 60 °C (-4 έως 140 °F), 95% σχετική υγρασία χωρίς συμπύκνωση με φορτίο αισθητηρίου <7 W, -20 έως 50 °C (-4 έως 104 °F) με φορτίο αισθητηρίου <28 W
Θερμοκρασία αποθήκευσης	-20 έως 70°C (-4 έως 158 °F), 95% σχετική υγρασία χωρίς συμπύκνωση
Περιβλημα ¹	Μεταλλικό περιβλημα με αντιδιαβρωτικό φινιρίσμα και προστασία NEMA 4X/IP66
Απαιτήσεις ισχύος	Ελεγκτής με τροφοδοσία AC: 100-240 VAC ±10%, 50/60 Hz, Ισχύς 50 VA με φορτίο αισθητηρίου/μονάδας δικτύου 7 W, 100 VA με φορτίο αισθητηρίου/μονάδας δικτύου 28 W (προαιρετική σύνδεση δικτύου Modbus, RS232/RS485, Profibus DPV1 ή HART). Τροφοδοσία με 24 VDC του ελεγκτή: 24 VDC—15%, + 20%, Ισχύς 15 W με φορτίο αισθητηρίου/μονάδας δικτύου 7 W, 40 W με φορτίο αισθητηρίου/μονάδας δικτύου 28 W (προαιρετική σύνδεση δικτύου Modbus, RS232/RS485, Profibus DPV1 ή HART).
Υψομετρικές απαιτήσεις	Πρότυπο 2000 m (6562 ft) ASL (Πάνω από το επίπεδο της θάλασσας)
Βαθμός ρύπανσης/Κατηγορία εγκατάστασης	Βαθμός μόλυνσης 2, Κατηγορία εγκατάστασης II
Έξοδοι	Δύο αναλογικές έξοδοι (0-20 mA ή 4-20 mA). Κάθε αναλογική έξοδος μπορεί να αντιστοιχιστεί έτσι, ώστε να αντιπροσωπεύει μια μετρώμενη παράμετρο, όπως το pH, τη θερμοκρασία, τη ροή ή τις τιμές που υπολογίζονται. Η προαιρετική μονάδα παρέχει τρεις επιπλέον αναλογικές εξόδους (σύνολο 5).
Ρελέ	Τέσσερα SPDT, με επαφές που διαμορφώνονται από το χρήστη με ονομαστική τιμή 250 VAC, μέγιστη αντίσταση 5 Amp για τον ελεγκτή που τροφοδοτείται με AC και 24 VDC, μέγιστη αντίσταση 5A για τον ελεγκτή που τροφοδοτείται με DC. Τα ρελέ είναι σχεδιασμένα για σύνδεση στα κεντρικά κυκλώματα AC (δηλαδή όταν ο ελεγκτής λειτουργεί με ισχύ 115 - 240 VAC) ή στα κυκλώματα DC (δηλαδή όταν ο ελεγκτής λειτουργεί με ισχύ 24 VDC).
Διαστάσεις	½ DIN - 144 x 144 x 180,9 mm (5,7 x 5,7 x 7,12 in.)
Βάρος	1,7 kg (3,75 lb)

Προδιαγραφή	Λεπτομέρειες
Πληροφορίες συμμόρφωσης ²	Εγκεκριμένο κατά CE (με όλους τους τύπους αισθητηρίων). Πιστοποιημένο για χρήση σε χώρους γενικής χρήσης κατά τα πρότυπα ασφαλείας UL και CSA από την ETL (με όλους τους τύπους αισθητηρίων). Ορισμένα μοντέλα που τροφοδοτούνται με εναλλασσόμενο ρεύμα παρατίθενται για χρήση σε θέσεις γενικής ασφαλείας σύμφωνα με τα πρότυπα ασφαλείας UL και CSA από το Underwriters Laboratories (με όλους τους τύπους αισθητηρίων).
Ψηφιακή επικοινωνία	Προαιρετική σύνδεση δικτύου με πρωτόκολλα Modbus, RS232/RS485, Profibus DPV1 ή HART για μετάδοση δεδομένων
Καταγραφή δεδομένων	Κάρτα SD (έως και 32 GB) ή ειδικός σύνδεσμος καλωδίων RS232 για καταγραφή δεδομένων και διεξαγωγή ενημερώσεων λογισμικού. Ο ελεγκτής θα διατηρεί περίπου 20.000 σημεία δεδομένων ανά αισθητήριο.
Εγγύηση	2 έτη

¹ Οι μονάδες με πιστοποίηση Underwriters Laboratories (UL) προορίζονται μόνο για εσωτερική χρήση και δεν διαθέτουν προστασία NEMA 4X/IP66.

² Οι μονάδες που τροφοδοτούνται με συνεχές ρεύμα δεν παρατίθενται από το UL.

Γενικές πληροφορίες

Σε καμία περίπτωση ο κατασκευαστής δεν είναι υπεύθυνος για άμεσες, έμμεσες, ειδικές, τυχαίες ή παρεπόμενες ζημιές που προκύπτουν από οποιοδήποτε ελάττωμα ή παράλειψη του παρόντος εγχειριδίου. Ο κατασκευαστής διατηρεί το δικαίωμα να πραγματοποιήσει αλλαγές στο παρόν εγχειρίδιο και στα προϊόντα που περιγράφει ανά στιγμή, χωρίς ειδοποίηση ή υποχρέωση. Αναθεωρημένες εκδόσεις διατίθενται από τον ιστοχώρο του κατασκευαστή.

Πληροφορίες σχετικά με την ασφάλεια

ΕΙΔΟΠΟΙΗΣΗ

Ο κατασκευαστής δεν φέρει ευθύνη για τυχόν ζημιές εξαιτίας της λανθασμένης εφαρμογής ή χρήσης του παρόντος προϊόντος, συμπεριλαμβανομένων, χωρίς περιορισμό, των άμεσων, συμπυκνωμένων και παρεπόμενων ζημιών, και αποποιείται τέτοιες ζημιές στη μέγιστη έκταση που επιτρέπει το εφαρμοστέο δίκαιο. Ο χρήστης είναι αποκλειστικά υπεύθυνος για την αναγνώριση των σημαντικών κινδύνων εφαρμογής και την εγκατάσταση των κατάλληλων μηχανισμών με στόχο την προστασία των διεργασιών κατά τη διάρκεια μιας πιθανής δυσλειτουργίας του εξοπλισμού.

Παρακαλούμε διαβάστε ολόκληρο αυτό το εγχειρίδιο προτού αποσυσκευάσετε, εγκαταστήσετε ή λειτουργήσετε αυτόν τον εξοπλισμό. Προσέξτε όλες τις υποδείξεις κινδύνου και προσοχής. Η παράλειψη μπορεί να οδηγήσει σε σοβαρούς τραυματισμούς του χειριστή ή σε ζημιές της συσκευής.

Διασφαλίστε ότι δεν θα προκληθεί καμία βλάβη στις διατάξεις προστασίας αυτού του εξοπλισμού. Μην χρησιμοποιείτε και μην εγκαθιστάτε τον συγκεκριμένο εξοπλισμό με κανέναν άλλον τρόπο, εκτός από αυτούς που προσδιορίζονται στο παρόν εγχειρίδιο.

Χρήση των πληροφοριών προειδοποίησης κινδύνου

▲ ΚΙΝΔΥΝΟΣ

Υποδεικνύει κάποια ενδεχόμενη ή επικείμενη επικίνδυνη κατάσταση, η οποία, εάν δεν αποτραπεί, θα οδηγήσει σε θάνατο ή σοβαρό τραυματισμό.

▲ ΠΡΟΕΙΔΟΠΟΙΗΣΗ

Υποδεικνύει ενδεχόμενη ή επικείμενη επικίνδυνη κατάσταση, η οποία, αν δεν αποτραπεί, θα μπορούσε να προκαλέσει θάνατο ή σοβαρό τραυματισμό.





▲ ΠΡΟΣΟΧΗ

Υποδεικνύει κάποια ενδεχόμενη επικίνδυνη κατάσταση, η οποία μπορεί να καταλήξει σε ελαφρό ή μέτριο τραυματισμό.

Υποδεικνύει κατάσταση που, εάν δεν αποτραπεί, μπορεί να προκληθεί βλάβη στο όργανο. Πληροφορίες που απαιτούν ειδική έμφαση.

Ετικέτες προειδοποίησης

Διαβάστε όλες τις ταμπέλες και τις ετικέτες που είναι επικολλημένες στο όργανο. Μπορεί να προκληθεί τραυματισμός ή βλάβη στο όργανο αν δεν τηρηθούν. Το κάθε σύμβολο που θα δείτε στο όργανο, αναφέρεται στο εγχειρίδιο μαζί με την αντίστοιχη δήλωση προειδοποίησης.

	Το σύμβολο αυτό, εάν υπάρχει επάνω στο όργανο, παραπέμπει σε πληροφορίες σχετικά με την ασφάλεια ή/και το χειρισμό, στο εγχειρίδιο λειτουργίας.
	Το σύμβολο αυτό υποδεικνύει ότι υπάρχει κίνδυνος ηλεκτροπληξίας.
	Το σύμβολο αυτό υποδεικνύει την παρουσία συσκευών ευαίσθητων σε ηλεκτροστατική εκκένωση και επισημαίνει ότι πρέπει να δοθεί ιδιαίτερη προσοχή, ώστε να αποφευχθεί η πρόκληση βλάβης στον εξοπλισμό.
	Ο ηλεκτρικός εξοπλισμός που επισημαίνεται με αυτό το σύμβολο δεν πρέπει να απορρίπτεται σε ευρωπαϊκά δημόσια συστήματα απόρριψης από τις 12 Αυγούστου 2005. Σε συμμόρφωση με τους Ευρωπαϊκούς τοπικούς και εθνικούς κανονισμούς (Οδηγία ΕΕ 2002/96/ΕΚ), οι χρήστες ηλεκτρικού εξοπλισμού στην Ευρώπη πρέπει να αποστέλλουν τον παλιό εξοπλισμό ή τον εξοπλισμό του οποίου η διάρκεια ζωής έχει λήξει στον Κατασκευαστή για απόρριψη, χωρίς χρέωση του χρήστη.

Πιστοποίηση

Καναδικός Κανονισμός Εξοπλισμού Πρόκλησης Παρεμβολών, IEC5-003, Κατηγορία A:

Ο κατασκευαστής διαθέτει αρχεία υποστήριξης δοκιμών.

Η παρούσα ψηφιακή συσκευή Κατηγορίας A ανταποκρίνεται σε όλες τις προδιαγραφές του Καναδικού Κανονισμού Εξοπλισμού Πρόκλησης Παρεμβολών (IECS).

Cet appareil numérique de classe A répond à toutes les exigences de la réglementation canadienne sur les équipements provoquant des interférences.

FCC Κεφάλαιο 15, Κατηγορία "A" Όρια

Ο κατασκευαστής διαθέτει αρχεία υποστήριξης δοκιμών. Η συσκευή συμμορφώνεται με το Κεφ. 15 των Κανόνων της FCC. Η λειτουργία υπόκειται στις ακόλουθες προϋποθέσεις:

1. Ο εξοπλισμός μπορεί να μην προκαλέσει επιβλαβείς παρεμβολές.
2. Ο εξοπλισμός πρέπει να δέχεται οποιεσδήποτε παρεμβολές λαμβάνονται, καθώς και παρεμβολές που μπορεί να προκαλέσουν ανεπιθύμητη λειτουργία.

Αλλαγές ή τροποποιήσεις αυτού του εξοπλισμού που δεν έχουν ρητά εγκριθεί από τον υπεύθυνο συμμόρφωσης, μπορεί να ακυρώσουν την αρμοδιότητα του χρήστη να λειτουργήσει τον εξοπλισμό.

Ο εξοπλισμός αυτός έχει δοκιμαστεί και κρίθηκε ότι συμμορφώνεται με τους περιορισμούς περί ψηφιακών συσκευών Κατηγορίας A, σύμφωνα με το Κεφάλαιο 15 των κανόνων της FCC. Αυτά τα όρια έχουν σχεδιαστεί για να παρέχουν εύλογη προστασία από τις επιβλαβείς παρεμβολές όταν ο εξοπλισμός λειτουργεί σε εμπορικό περιβάλλον. Αυτό ο εξοπλισμός λειτουργεί, χρησιμοποιεί και μπορεί να εκπέμπει ενέργεια ραδιοσυχνοτήτων και, εάν δεν εγκατασταθεί και δεν χρησιμοποιηθεί σύμφωνα με το εγχειρίδιο οδηγιών, ενδέχεται να προκαλέσει επιβλαβείς παρεμβολές στις ραδιοεπικοινωνίες. Η λειτουργία του εξοπλισμού σε οικιστική περιοχή ενδεχομένως να προκαλέσει επιβλαβείς παρεμβολές, στην οποία περίπτωση ο χρήστης θα χρειαστεί να καλύψει με δικά του έξοδα την αποκατάσταση των παρεμβολών. Για τη μείωση των προβλημάτων παρεμβολών, μπορούν να χρησιμοποιηθούν οι ακόλουθες τεχνικές:

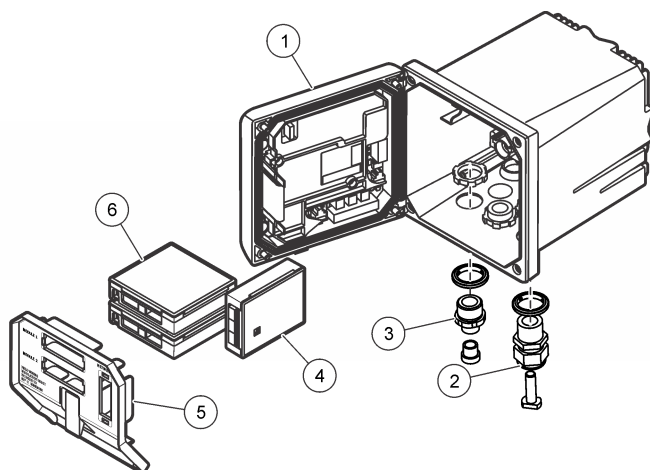
1. Αποσυνδέστε τον εξοπλισμό από την πηγή ισχύος της, προκειμένου να διαπιστωθεί εάν είναι ή δεν είναι η πηγή της παρεμβολής.
2. Αν ο εξοπλισμός είναι συνδεδεμένος με την ίδια έξοδο όπως και η συσκευή που παρουσιάζει παρεμβολές, συνδέστε τον εξοπλισμό σε μια διαφορετική έξοδο.
3. Μετακινήστε τον εξοπλισμό μακριά από τη συσκευή που λαμβάνει την παρεμβολή.
4. Επανατοποθετήστε την κεραία λήψης της συσκευής που λαμβάνει την παρεμβολή.
5. Δοκιμάστε συνδυασμούς των παραπάνω.

Επισκόπηση προϊόντος

Ο ελεγκτής εμφανίζει μετρήσεις του αισθητηρίου και άλλα δεδομένα, μπορεί να μεταφέρει αναλογικά και ψηφιακά σήματα και μπορεί να διαδράσει με, καθώς και να ελέγξει, άλλες συσκευές μέσω εξόδων και ρελέ. Οι έξοδοι, τα ρελέ, τα αισθητήρια και οι μονάδες αισθητηρίων διαμορφώνονται και βαθμονομούνται από τον χειριστή μέσω του μενού στο μπροστινό μέρος του ελεγκτή.

Το **Εικόνα 1** απεικονίζει τα εξαρτήματα του προϊόντος. Τα εξαρτήματα μπορεί να διαφέρουν ανάλογα με τη διαμόρφωση του ελεγκτή. Εάν κάποια μέρη είναι κατεστραμμένα ή λείπουν, επικοινωνήστε με τον κατασκευαστή.

Εικόνα 1 Εξαρτήματα συστήματος



1 Ελεγκτής	4 Μονάδα δικτύου (προαιρετική)
2 Στυπιοθλίπτης (προαιρετικό, ανάλογα με την έκδοση του ελεγκτή)	5 Φράγμα υψηλής τάσης
3 Εξάρτημα ψηφιακής σύνδεσης (προαιρετικό, ανάλογα με την έκδοση του ελεγκτή)	6 Μονάδες αισθητηρίου (προαιρετικές)

Αισθητήρια και μονάδες αισθητηρίων

Ο ελεγκτής δέχεται έως και δύο μονάδες αισθητηρίων ή δύο ψηφιακά αισθητήρια (ανάλογα με τη διαμόρφωσή του), καθώς και μία μονάδα επικοινωνίας. Μπορούν να εγκατασταθούν συνδυαστικά ένα ψηφιακό αισθητήριο και μία μονάδα αισθητηρίου. Στις μονάδες αισθητηρίου μπορεί να συνδεθεί με καλωδίωση μια πληθώρα αισθητηρίων. Οι πληροφορίες για τη σύνδεση των αισθητηρίων με καλωδίωση βρίσκονται στο εγχειρίδιο του κάθε αισθητηρίου και στις οδηγίες χρήστη των αντίστοιχων μονάδων.

Έξοδοι ρελέ και σήματα

Ο ελεγκτής διαθέτει τέσσερις διαμορφώσιμους διακόπτες ρελέ και δύο αναλογικές εξόδους. Μια προαιρετική μονάδα αναλογικής εξόδου μπορεί να αυξήσει τον αριθμό των αναλογικών εξόδων σε πέντε.

Σαρώσεις συσκευών

Με δύο εξαιρέσεις, ο ελεγκτής πραγματοποιεί αυτόματα σάρωση για συνδεδεμένες συσκευές κάθε φορά που ενεργοποιείται, χωρίς να χρειαστεί η παρέμβαση του χρήστη. Η πρώτη εξαίρεση είναι η πρώτη ενεργοποίηση του ελεγκτή, πριν να χρησιμοποιηθεί για πρώτη φορά. Η δεύτερη εξαίρεση είναι η ενεργοποίηση του ελεγκτή μετά την επαναφορά των ρυθμίσεων διαμόρφωσης στις προεπιλεγμένες τιμές. Και στις δύο περιπτώσεις, ο ελεγκτής εμφανίζει πρώτα τις θρόνες τροποποίησης γλώσσας, ημερομηνίας και ώρας. Μετά την αποδοχή των καταχωρίσεων γλώσσας, ημερομηνίας και ώρας, ο ελεγκτής εκτελεί σάρωση συσκευής. Για οδηγίες σχετικά με τη σάρωση συσκευών όταν ο ελεγκτής είναι ήδη ενεργοποιημένος, ανατρέξτε στην ενότητα [Συνδέστε έναν ψηφιακό αισθητήριο sc](#). στη σελίδα 574.

Περίβλημα ελεγκτή

Το περίβλημα του ελεγκτή έχει λάβει κατά NEMA 4X/IP66 και διαθέτει αντιδιαβρωτικό φινιρίσμα, σχεδιασμένο για να είναι ανθεκτικό σε διαβρωτικά στοιχεία του περιβάλλοντος όπως η αλατονέφωση και το υδρόθειο. Η προστασία κατά των περιβαλλοντικών ζημιών συνιστάται για χρήση σε εξωτερικό χώρο.

Σημείωση: Οι μονάδες με πιστοποίηση Underwriters Laboratories (UL) προορίζονται μόνο για εσωτερική χρήση και δεν διαθέτουν προστασία NEMA 4X/IP66.

Επιλογές στερέωσης του ελεγκτή

Ο ελεγκτής μπορεί να τοποθετηθεί σε πίνακα, σε τοίχο ή σε οριζόντιο ή κάθετο σωλήνα. Συμπεριλαμβάνεται στεγανοποιητικό παρέμβυσμα από νεοπρένιο και μπορεί να χρησιμοποιηθεί για τη μείωση της δόνησης. Το παρέμβυσμα μπορεί να χρησιμοποιηθεί ως προσχέδιο για τη στερέωση σε πίνακα, πριν διαχωριστεί το εσωτερικό του διαμέρισμα.

Εγκατάσταση

Εξαρτήματα και διαστάσεις στερέωσης

⚠ ΠΡΟΣΟΧΗ

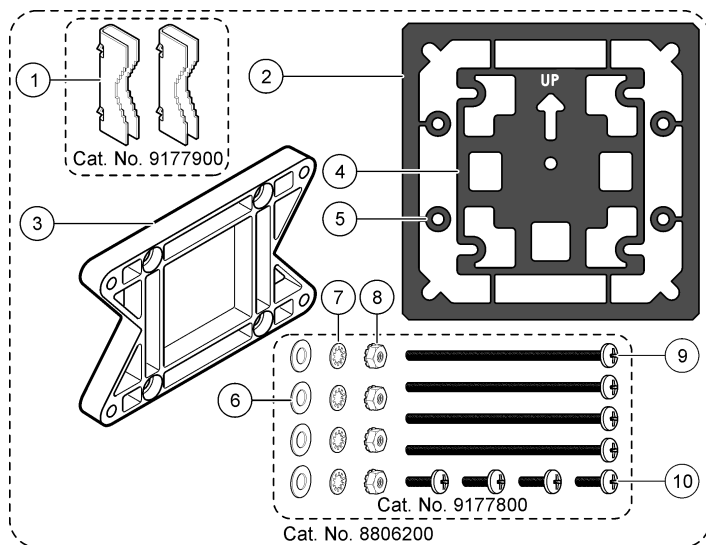
Κίνδυνος τραυματισμού. Μόνο ειδικευμένο προσωπικό πρέπει να εκτελεί τις εργασίες ελέγχου που περιγράφονται σε αυτό το κεφάλαιο του εγχειριδίου.

Ο ελεγκτής μπορεί να εγκατασταθεί σε επιφάνεια, πίνακα ή σωλήνα (οριζόντιο ή κάθετο). Για επιλογές τοποθέτησης και οδηγίες, ανατρέξτε στα [Εικόνα 2](#), [Εικόνα 3](#) στη σελίδα 562, [Εικόνα 4](#) στη σελίδα 563, [Εικόνα 5](#) στη σελίδα 564 και [Εικόνα 6](#) στη σελίδα 565.

Για τοποθέτηση σε οριζόντιους σωλήνες, τα ποδαράκια ([Εικόνα 2](#)) πρέπει να προσαρμοστούν κάθετα στο στήριγμα στερέωσης.

Για τοποθέτηση σε οριζόντιους και κάθετους σωλήνες, προσαρμόστε το στήριγμα στερέωσης στον ελεγκτή όπως φαίνεται στο [Εικόνα 5](#) στη σελίδα 564.

Εικόνα 2 Εξαρτήματα στερέωσης

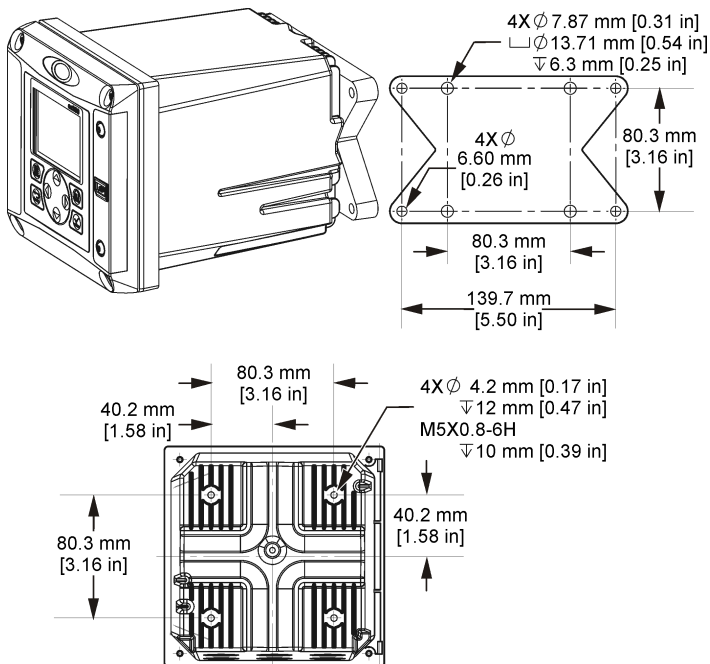


1 Ποδαράκια στερέωσης (2x)	6 Επίπεδη ροδέλα, εσ. διαμ. 1/4 ίντσας (4x)
2 Παρέμβυσμα σφραγίσματος για την τοποθέτηση σε πίνακα, από νεοπρένιο	7 Ροδέλα ασφάλισης, εσ. διαμ. 1/4 ίντσας (4x)
3 Στήριγμα για στερέωση σε τοίχους και σωλήνες	8 Παξιμάδι με ροδέλα, μεγέθους M5 x 0,8 (4x)
4 Παρέμβυσμα απορρόφησης δονήσεων για στερέωση σε σωλήνα	9 Σταυρόβιδες, μεγέθους M5 x 0,8 x 100 χιλ (4x) (Χρησιμοποιούνται για εγκαταστάσεις στερέωσης σε σωλήνες διαφόρων διαμέτρων)
5 Ροδέλα απορρόφησης δονήσεων για στερέωση σε σωλήνα (4x)	10 Σταυρόβιδες, M5 x 0,8 x 15 χιλ, (4x)

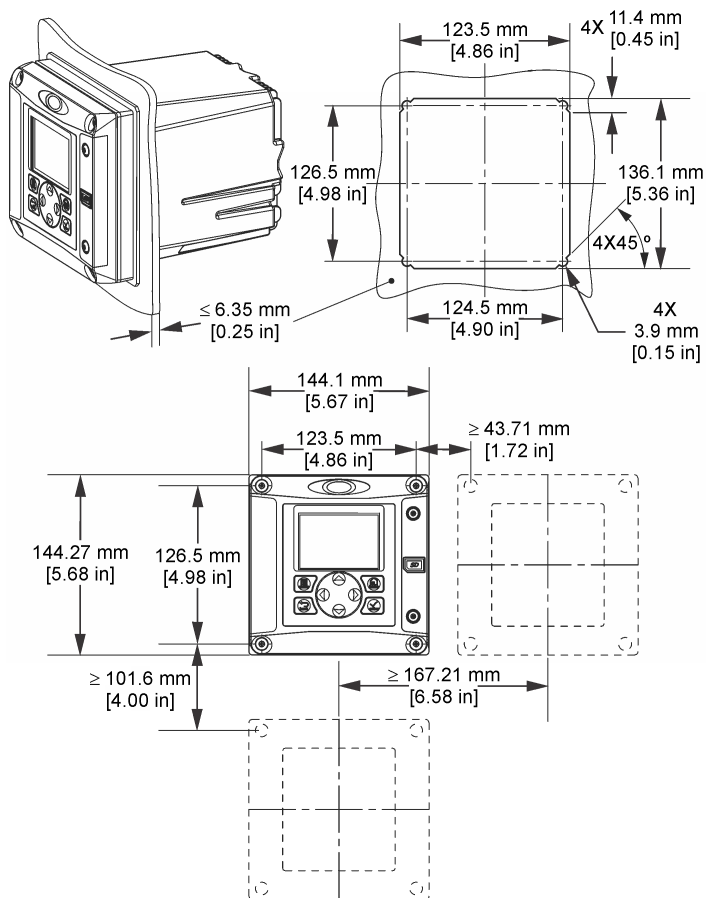
Σημείωση: Ο βραχίονας για τοποθέτηση σε πίνακα διατίθεται ως προαιρετικό εξάρτημα.

Τοποθέτηση του ελεγκτή

Εικόνα 3 Διαστάσεις τοποθέτησης σε επιφάνεια

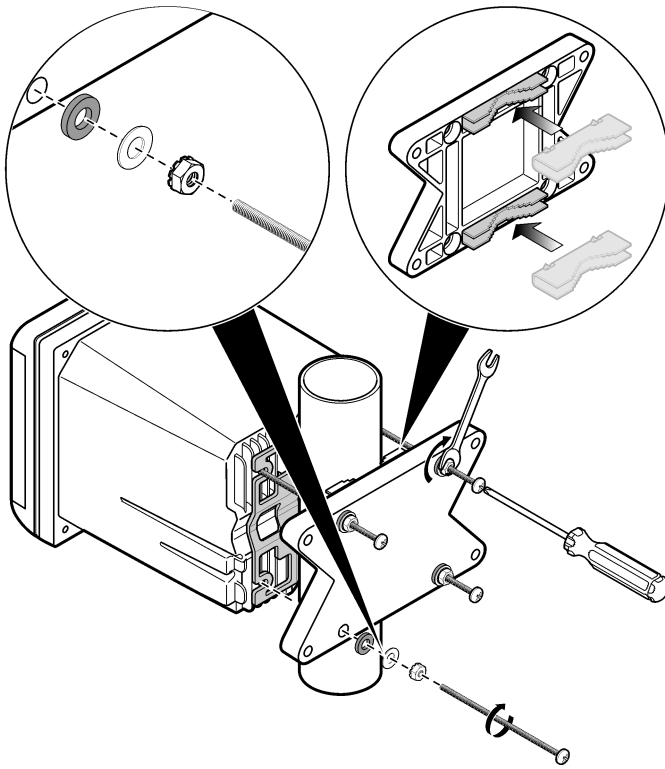


Εικόνα 4 Διαστάσεις τοποθέτησης σε πίνακα

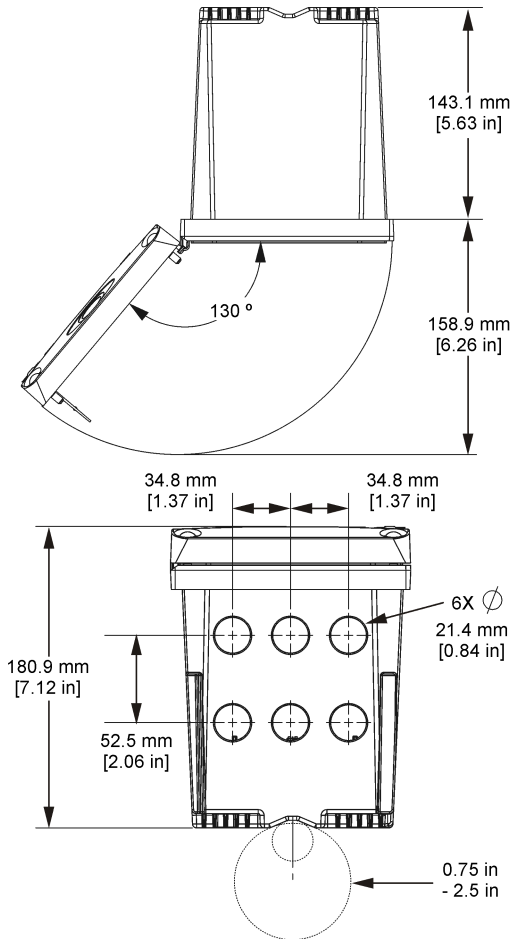


Σημείωση: Εάν χρησιμοποιείτε το βραχίονα (προαιρετικό εξάρτημα) για τοποθέτηση σε πίνακα, σπρώξτε τον ελεγκτή στην οπή του πίνακα και σύρετε το βραχίονα πάνω από τον ελεγκτή στον πίσω μέρος του πίνακα. Χρησιμοποιήστε σταυρόβιδες 15 χιλ. (παρέχονται στη συσκευασία) για να προσαρτήσετε το βραχίονα στον ελεγκτή και ασφαλίστε τον ελεγκτή στον πίνακα.

Εικόνα 5 Τοποθέτηση σε σωλήνα (κάθετος σωλήνας)



Εικόνα 6 Προβολή άνω και κάτω μέρους



Φραγμός υψηλής τάσης

Η καλωδίωση υψηλής τάσης για τον ελεγκτή διέρχεται πίσω από το φραγμό υψηλής τάσης στο περίβλημα του ελεγκτή. Ο φραγμός πρέπει να παραμένει πάντοτε στη θέση του, εκτός από τις περιπτώσεις που πραγματοποιείται εγκατάσταση μιας μονάδας ή όταν ένας εξειδικευμένος τεχνικός εγκαθιστά καλώδια ρεύματος, συναγεμούς, εξόδους ή ρελέ. Μην απομακρύνετε τον φραγμό όταν ο ελεγκτής τροφοδοτείται με ρεύμα.

Θέματα που αφορούν την Ηλεκτροστατική Εκφόρτιση (ESD)

ΕΙΔΟΠΟΙΗΣΗ



Πιθανή βλάβη οργάνου. Τα ευαίσθητα εσωτερικά ηλεκτρονικά εξαρτήματα ενδέχεται να υποστούν βλάβη από το στατικό ηλεκτρισμό, με αποτέλεσμα την υποβάθμιση της απόδοσης των οργάνων ή ενδεχόμενη αστοχία τους.

Ανατρέξτε στα βήματα αυτής της διαδικασίας για την αποφυγή πρόκλησης βλάβης ESD στο όργανο:

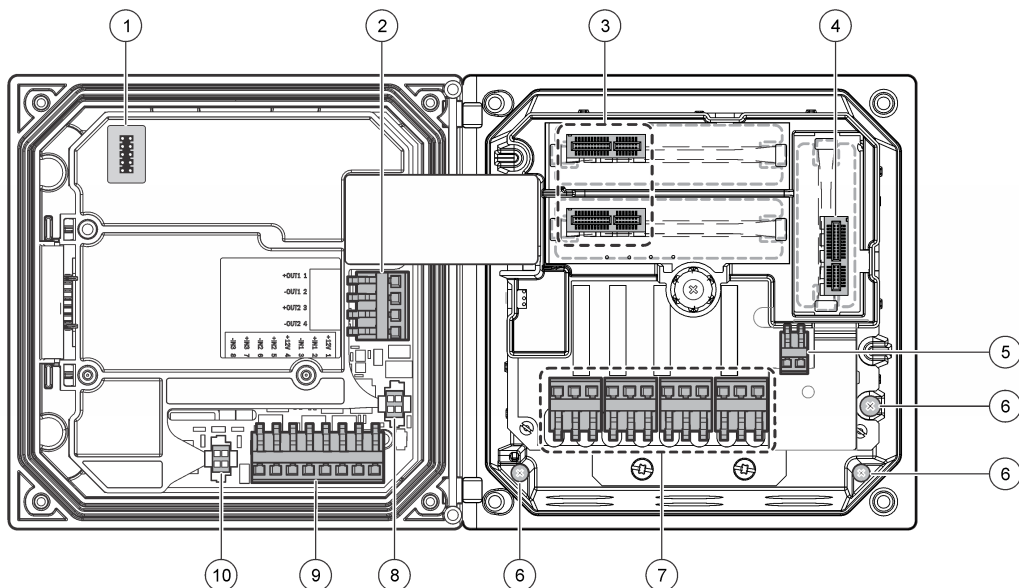
- Αγγίξτε μια γειωμένη μεταλλική επιφάνεια όπως το σώμα κάποιου οργάνου, έναν μεταλλικό αγωγό ή σωλήνα, για να εκφορτιστεί ο στατικός ηλεκτρισμός από το σώμα σας.
- Αποφύγετε τις υπερβολικές κινήσεις. Μεταφέρετε τα εξαρτήματα που είναι ευαίσθητα στο στατικό ηλεκτρισμό σε αντιστατικούς περιέκτες ή συσκευασίες.
- Φοράτε ένα περιβραχιόνιο συνδεδεμένο με καλώδιο στη γείωση.
- Εργαστείτε σε ασφαλή από το στατικό ηλεκτρισμό χώρο με αντιστατική επικάλυψη δαπέδου και επικαλύψεις των πάγκων εργασίας.

Συνοπτική παρουσίαση καλωδίωσης

Το **Εικόνα 7** απεικονίζει συνοπτικά τις συνδέσεις καλωδίωσης μέσα στον ελεγκτή, όταν έχει αφαιρεθεί ο φραγμός υψηλής τάσης. Η αριστερή πλευρά του σχήματος απεικονίζει την πίσω πλευρά του καλύμματος του ελεγκτή.

Σημείωση: Πριν από την εγκατάσταση της μονάδας, απομακρύνετε τα καπάκια των συνδέσεων.

Εικόνα 7 Επισκόπηση συνδέσεων καλωδίωσης



1 Σύνδεση καλωδίων	5 Σύνδεσμος AC και DC ¹	9 Σύνδεσμος καλωδιώσεων εισόδων διακριτών δεδομένων ¹
2 Έξοδος 4-20 mA ¹	6 Τερματικά γείωσης	10 Σύνδεσμος ψηφιακού αισθητηρίου ¹
3 Σύνδεσμος μονάδας αισθητηρίου	7 Συνδέσεις ρελέ ¹	
4 Σύνδεσμος μονάδας επικοινωνίας (π.χ. Modbus, Profibus, HART, προαιρετική μονάδα 4-20 mA κ.λπ.)	8 Σύνδεσμος ψηφιακού αισθητηρίου ¹	

¹ Τα τερματικά μπορούν να αφαιρεθούν για βελτιωμένη πρόσβαση.

Καλωδίωση ρεύματος

▲ ΠΡΟΕΙΔΟΠΟΙΗΣΗ



Πιθανός κίνδυνος ηλεκτροπληξίας. Πάντοτε να αποσυνδέετε την τροφοδοσία ρεύματος στη συσκευή όταν εκτελείτε ηλεκτρικές συνδέσεις.

▲ ΠΡΟΕΙΔΟΠΟΙΗΣΗ



Πιθανός κίνδυνος ηλεκτροπληξίας. Εάν αυτός ο εξοπλισμός χρησιμοποιείται σε εξωτερικό χώρο ή σε δυνητικά υγρή τοποθεσία, πρέπει να χρησιμοποιηθεί διάταξη διακοπής σε σφάλμα γείωσης για τη σύνδεση του εξοπλισμού στην κύρια παροχή ισχύος.

▲ ΚΙΝΔΥΝΟΣ



Κίνδυνος ηλεκτροπληξίας. Μην συνδέετε τροφοδοσία AC στο μοντέλο που τροφοδοτείται με 24 V DC.

▲ ΠΡΟΕΙΔΟΠΟΙΗΣΗ



Πιθανός κίνδυνος ηλεκτροπληξίας. Μια σύνδεση γείωσης (PE) απαιτείται για αμφοτέρους τις εφαρμογές 100-240 VAC και 24 VDC. Εάν δεν αποκατασταθεί μια καλή σύνδεση PE με τη γείωση, μπορεί να υπάρξει κίνδυνος ηλεκτροπληξίας και κακής απόδοσης, λόγω της δημιουργίας ηλεκτρομαγνητικών παρεμβολών. ΠΑΝΤΑ να συνδέετε μια καλή γείωση εδάφους PE με το τερματικό της συσκευής ελέγχου.

ΕΙΔΟΠΟΙΗΣΗ

Εγκαταστήστε τη συσκευή στο μέρος και τη θέση όπου θα έχετε εύκολη πρόσβαση στη συσκευή αποσύνδεσης και στη λειτουργία τους.

Ο ελεγκτής μπορεί να αγοραστεί είτε ως μοντέλο τροφοδοτούμενο με 100–240 VAC είτε ως μοντέλο τροφοδοτούμενο με 24 VDC. Ακολουθήστε τις κατάλληλες οδηγίες για την καλωδίωση, ανάλογα με το μοντέλο που αγοράσατε.

Ο ελεγκτής μπορεί να καλωδιώνεται για το ρεύμα γραμμής με σύνδεση στον αγωγό ή με τη σύνδεση ενός καλωδίου τροφοδοσίας. Ανεξάρτητα από το καλώδιο που θα χρησιμοποιηθεί, οι συνδέσεις γίνονται στα ίδια τερματικά. Απαιτείται τοπικός διακόπτης αποσύνδεσης, σχεδιασμένος έτσι ώστε να πληροί τον τοπικό ηλεκτρικό κώδικα και πρέπει να αναγνωρίζεται για όλους τους τύπους της εγκατάστασης. Στις εγκαταστάσεις που συνδέονται με καλώδια, οι πτώσεις ισχύος και γείωσης ασφαλείας για το όργανο πρέπει να είναι από 18 έως 12 AWG.

Σημειώσεις:

- Πριν πραγματοποιηθεί οποιαδήποτε ηλεκτρική σύνδεση, ο φραγμός της τάσης πρέπει να μετακινηθεί. Αφού πραγματοποιήσετε όλες τις συνδέσεις, αντικαταστήστε το φραγμό τάσης πριν κλείσετε το κάλυμμα του ελεγκτή.
- Για να διατηρήσετε την περιβαλλοντική βαθμολόγηση 4X/IP66 της Αμερικανικής NEMA, μπορείτε να χρησιμοποιήσετε τον στυπιθλίπτη τύπου σφραγίσματος κι ένα καλώδιο ισχύος μήκους μικρότερου από 3 μέτρα (10 πόδια) μαζί με 3 αγωγούς διαμετρήματος 18 (συμπεριλαμβανομένου καλωδίου ασφαλούς γείωσης).
- Μπορείτε να παραγγείλετε τους ελεγκτές με προεγκατεστημένα καλώδια AC. Επίσης, μπορείτε να παραγγείλετε επιπλέον καλώδια ρεύματος.
- Η πηγή DC που τροφοδοτεί τον ελεγκτή που τροφοδοτείται με 24 VDC πρέπει να συντηρεί τη ρύθμιση της τάσης εντός των καθορισμένων ορίων τάσης 24 VDC -15 % +20 %. Η πηγή DC πρέπει επίσης να παρέχει επαρκή προστασία από υπέρταση και αυξομειώσεις της έντασης.

Διαδικασία καλωδίωσης

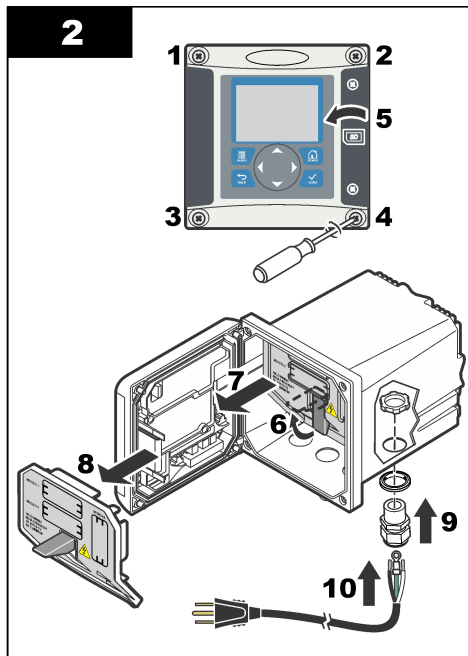
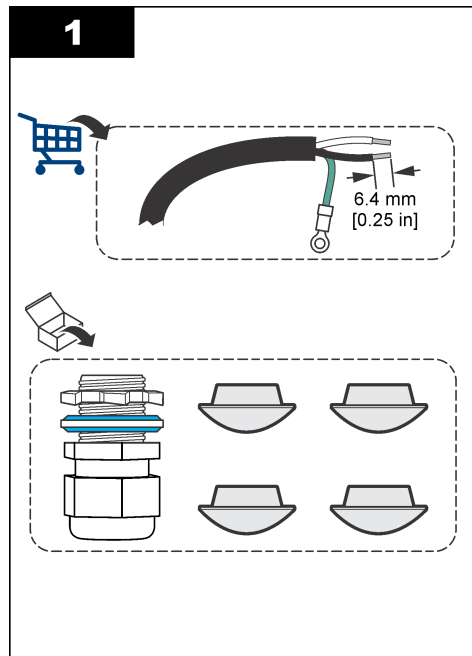
Για να δείτε τα βήματα που θα ακολουθήσετε για τη σύνδεση του ελεγκτή σε τροφοδοσία, ανατρέξτε στις εικόνες μετά τον **Πίνακα 1** ή τον **Πίνακα 2**. Εισαγάγετε κάθε καλώδιο στο κατάλληλο τερματικό, μέχρι να ρυθμιστεί η μόνωση απέναντι στον ελεγκτή χωρίς να μένει εκτεθειμένο κανένα γυμνό καλώδιο. Μετά την εισαγωγή, τραβήξτε ελαφρά για να βεβαιωθείτε ότι η σύνδεσή σας είναι σταθερή. Στεγανοποιήστε τα ανοίγματα που δεν χρησιμοποιούνται στο κιβώτιο του ελεγκτή, με παρεμβύσματα στεγανοποίησης των ανοιγμάτων του αγωγού.

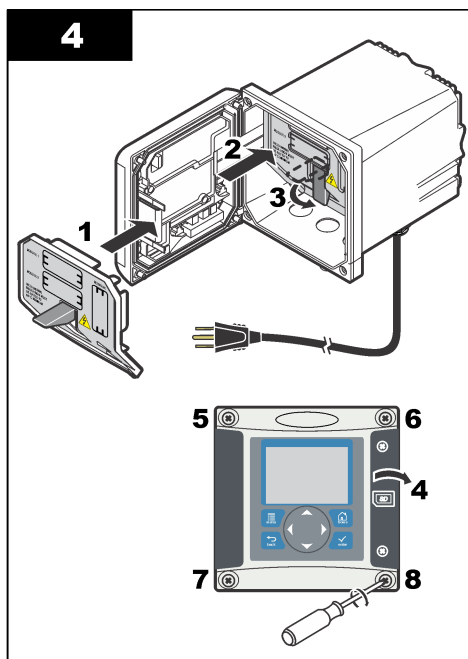
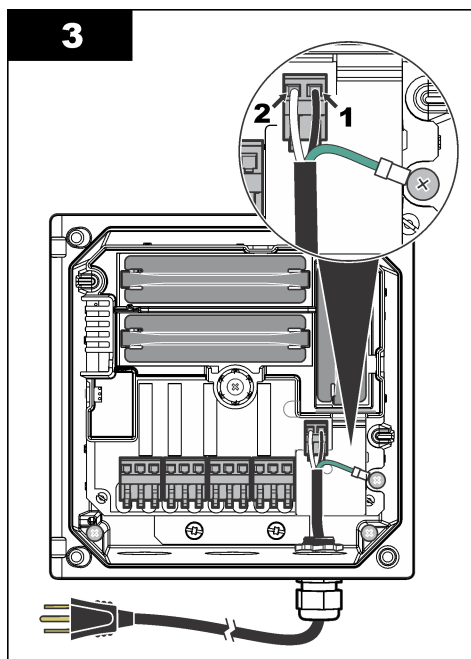
Πίνακας 1 Πληροφορίες για την καλωδίωση ισχύος AC (μόνο για το μοντέλο τροφοδοσίας με AC)

Ακροδέκτης	Περιγραφή	Χρώμα—Βόρεια Αμερική	Χρώμα - Ε.Ε.
1	Φάση (L1)	Μαύρο	Καφέ
2	Ουδέτερο (N)	Λευκό	Μπλε
—	Προστατευτικός ακροδέκτης γείωσης	Πράσινο	Πράσινο με κίτρινη ρίγα

Πίνακας 2 Πληροφορίες για την καλωδίωση ισχύος με ΣΡ (μόνο για τα μοντέλα τροφοδοσίας με ΣΡ)

Ακροδέκτης	Περιγραφή	Χρώμα—Βόρεια Αμερική	Χρώμα - Ε.Ε.
1	+24 VDC	Κόκκινο	Κόκκινο
2	Επιστροφή 24 VDC	Μαύρο	Μαύρο
—	Προστατευτικός ακροδέκτης γείωσης	Πράσινο	Πράσινο με κίτρινη ρίγα





Συναγερμοί και ρελέ

Ο ελεγκτής διαθέτει τέσσερα μονοπολικά ρελέ που δεν τροφοδοτούνται με ρεύμα με ονομαστική τιμή 100-250 VAC, 50/60 Hz, μέγιστη αντίσταση 5 Amp. Οι επαφές διαθέτουν ονομαστική τιμή 250 VAC, μέγιστη αντίσταση 5 Amp για το μοντέλο που τροφοδοτείται με AC και 24 VDC, μέγιστη αντίσταση 5 A για το μοντέλο που τροφοδοτείται με DC. Τα ρελέ δεν διαθέτουν ονομαστική τιμή για επαγωγικά φορτία.

Ρελέ καλωδίωσης

⚠ ΠΡΟΕΙΔΟΠΟΙΗΣΗ



Πιθανός κίνδυνος ηλεκτροπληξίας. Πάντοτε να αποσυνδέετε την τροφοδοσία ρεύματος στη συσκευή όταν εκτελείτε ηλεκτρικές συνδέσεις.

⚠ ΠΡΟΕΙΔΟΠΟΙΗΣΗ



Πιθανός κίνδυνος πυρκαγιάς. Οι επαφές ρελέ έχουν ονομαστική τιμή 5A και δεν έχουν καεί. Τα εξωτερικά φορτία που είναι συνδεδεμένα στα ρελέ πρέπει να διαθέτουν διατάξεις περιορισμού έντασης, προκειμένου να μειώνουν το ρεύμα σε < 5 A.

⚠ ΠΡΟΕΙΔΟΠΟΙΗΣΗ



Πιθανός κίνδυνος πυρκαγιάς. Μην συνδέετε τις κοινές συνδέσεις του ρελέ ή το καλώδιο του βραχυκυκλωτή από τη σύνδεση κεντρικής παροχής μέσα στο όργανο.

⚠ ΠΡΟΕΙΔΟΠΟΙΗΣΗ



Πιθανός κίνδυνος ηλεκτροπληξίας. Προκειμένου να διατηρήσετε την περιβαλλοντική βαθμολόγηση του περιβλήματος από τη NEMA σε IP, χρησιμοποιείτε μόνο εξαρτήματα κατηγορίας τουλάχιστον 4X/IP66 για να περάσετε τα καλώδια στο όργανο.

Ελεγκτές που τροφοδοτούνται από τη γραμμή AC (100-250 V)

Το διαμέρισμα της καλωδίωσης δεν έχει σχεδιαστεί για συνδέσεις τάσης μεγαλύτερες από 250 VAC.

Ελεγκτές με τροφοδοσία 24 VDC

⚠ ΠΡΟΕΙΔΟΠΟΙΗΣΗ



Πιθανός κίνδυνος ηλεκτροπληξίας. Οι ελεγκτές που τροφοδοτούνται με εναλλασσόμενο ρεύμα (115 V–230 V) είναι σχεδιασμένοι για συνδέσεις ρελέ σε κυκλώματα τροφοδοσίας εναλλασσόμενου ρεύματος (δηλαδή τάσεις μεγαλύτερες από 16 V-RMS, 22,6 V-PEAK ή 35 VDC).

⚠ ΠΡΟΕΙΔΟΠΟΙΗΣΗ



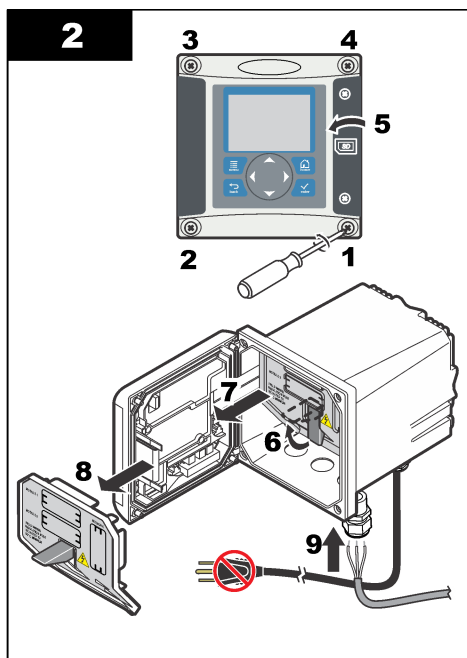
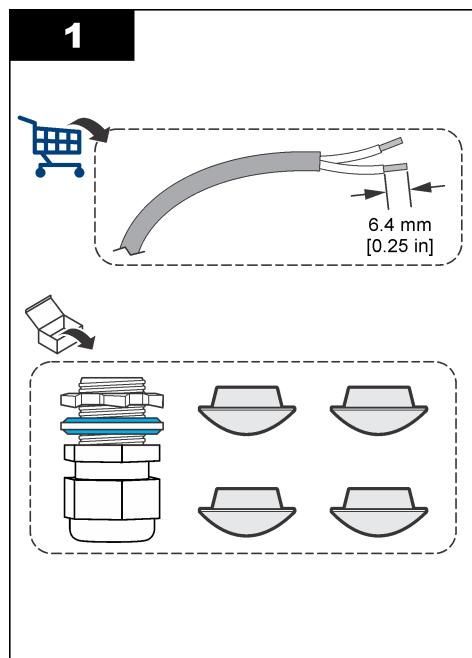
Πιθανός κίνδυνος ηλεκτροπληξίας. Οι ελεγκτές που τροφοδοτούνται με 24 V είναι σχεδιασμένοι για συνδέσεις ρελέ σε κυκλώματα χαμηλής τάσης (δηλαδή τάσεις χαμηλότερες από 16 V-RMS, 22,6 V-PEAK ή 35 VDC).

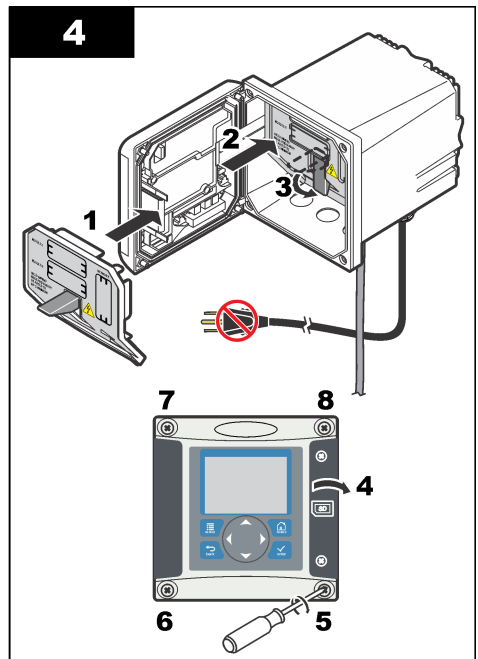
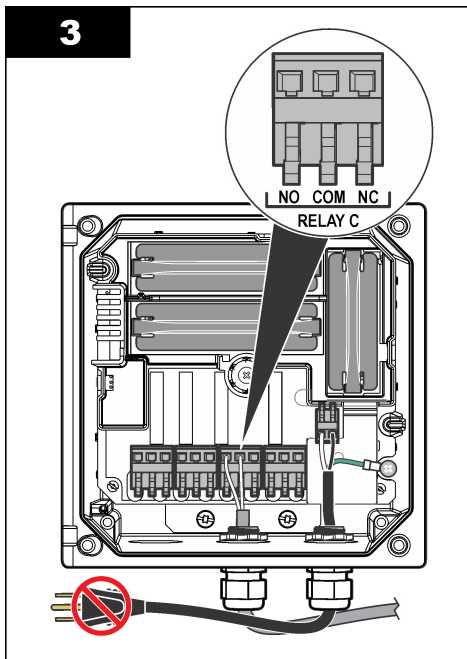
Τα ρελέ των ελεγκτών που τροφοδοτούνται με 24 VDC είναι σχεδιασμένα για σύνδεση σε κυκλώματα χαμηλής τάσης (δηλαδή τάσεις χαμηλότερες από 30 V-RMS, 42,2 V-PEAK ή 60 VDC). Ο θάλαμος καλωδίωσης δεν έχει σχεδιαστεί για συνδέσεις τάσης που να ξεπερνά τα επίπεδα αυτά.

Ο σύνδεσμος του ρελέ δέχεται καλώδιο 18–12 AWG (όπως προσδιορίζεται από την εφαρμογή φορτίου). Δεν συνιστάται η χρήση καλωδίου διατομής μικρότερης από 18 AWG.

Οι επαφές των ρελέ Normally Open (NO) και Common (COM) θα πρέπει να συνδέονται όταν ενεργοποιηθεί κάποιος συναγερμός ή άλλη κατάσταση. Οι επαφές ρελέ Normally Closed (NC) και Common θα πρέπει να συνδέονται όταν απενεργοποιηθεί κάποιος συναγερμός ή άλλη κατάσταση (εκτός αν η Συσκευή Ασφαλείας είναι ρυθμισμένη στο Ναι) ή όταν αποσυνδεθεί η τροφοδοσία ρεύματος από τον ελεγκτή.

Οι περισσότερες συνδέσεις ρελέ χρησιμοποιούν είτε τα τερματικά NO και COM είτε τα NC και COM. Τα αριθμημένα βήματα εγκατάστασης απεικονίζουν τη σύνδεση στα τερματικά NO και COM.





Αναλογικές συνδέσεις εξόδου

⚠ ΠΡΟΕΙΔΟΠΟΙΗΣΗ



Πιθανός κίνδυνος ηλεκτροπληξίας. Πάντοτε να αποσυνδέετε την τροφοδοσία ρεύματος στη συσκευή όταν εκτελείτε ηλεκτρικές συνδέσεις.

⚠ ΠΡΟΕΙΔΟΠΟΙΗΣΗ



Πιθανός κίνδυνος ηλεκτροπληξίας. Προκειμένου να διατηρήσετε την περιβαλλοντική βαθμολόγηση του περιβλήματος από τη NEMA σε IP, χρησιμοποιείτε μόνο εξαρτήματα κατηγορίας τουλάχιστον 4X/IP66 για να περάσετε τα καλώδια στο όργανο.

Παρέχονται δύο μονωμένες αναλογικές εξόδους (1 και 2) (Εικόνα 8). Οι εξόδους τέτοιου τύπου χρησιμοποιούνται συχνά για αναλογική σηματοδότηση ή για τον έλεγχο άλλων εξωτερικών συσκευών.

Συνδέστε την καλωδίωση στον ελεγκτή όπως φαίνεται στο Εικόνα 8 και στον Πίνακα 3.

Σημείωση: Το Εικόνα 8 απεικονίζει την πίσω πλευρά του καλύμματος και όχι το εσωτερικό του κύριου διαμερίσματος του ελεγκτή.

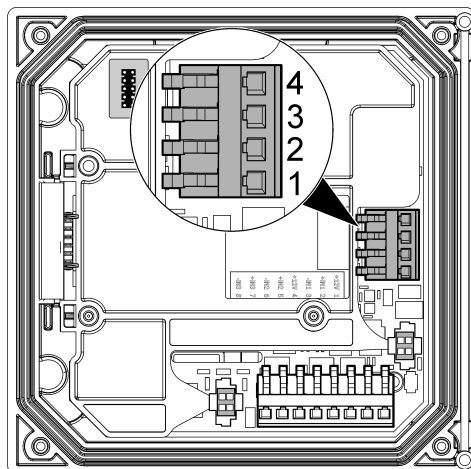
Πίνακας 3 Συνδέσεις εξόδου

Καλώδια συσκευής εγγραφής	Θέση πλακέτας κυκλώματος
Έξοδος 2-	4
Έξοδος 2+	3
Έξοδος 1-	2
Έξοδος 1+	1

1. Ανοίξτε το κάλυμμα του ελεγκτή.
2. Περάστε τα καλώδια από το στυπιθλίπτη.
3. Προσαρμόστε κατάλληλα το καλώδιο και σφίξτε το ρακόρ.

4. Να εκτελείτε τις συνδέσεις χρησιμοποιώντας θωρακισμένο καλώδιο συνεστραμμένου ζεύγους και να συνδέετε τη θωράκιση από την πλευρά του ελεγχόμενου εξαρτήματος και στην πλευρά του βρόχου του ελεγκτή.
 - Μην συνδέσετε τη θωράκιση και στα δύο άκρα του καλωδίου.
 - Η χρήση μη θωρακισμένου καλωδίου ενδέχεται να προκαλέσει την εκπομπή ραδιοσυχνότητας ή σε επίπεδα ευαισθησίας υψηλότερα από τα επιτρεπόμενα.
 - Η μέγιστη αντίσταση βρόγχου είναι 500 Ohm.
5. Κλείστε το κάλυμμα του ελεγκτή και σφίξτε τις βίδες.
6. Διαμορφώστε τις εξόδους στον ελεγκτή.

Εικόνα 8 Αναλογικές συνδέσεις εξόδου



Συνδέσεις καλωδιώσεων εισόδων διακριτών δεδομένων

▲ ΠΡΟΕΙΔΟΠΟΙΗΣΗ



Πιθανός κίνδυνος ηλεκτροπληξίας. Πάντοτε να αποσυνδέετε την τροφοδοσία ρεύματος στη συσκευή όταν εκτελείτε ηλεκτρικές συνδέσεις.

▲ ΠΡΟΕΙΔΟΠΟΙΗΣΗ

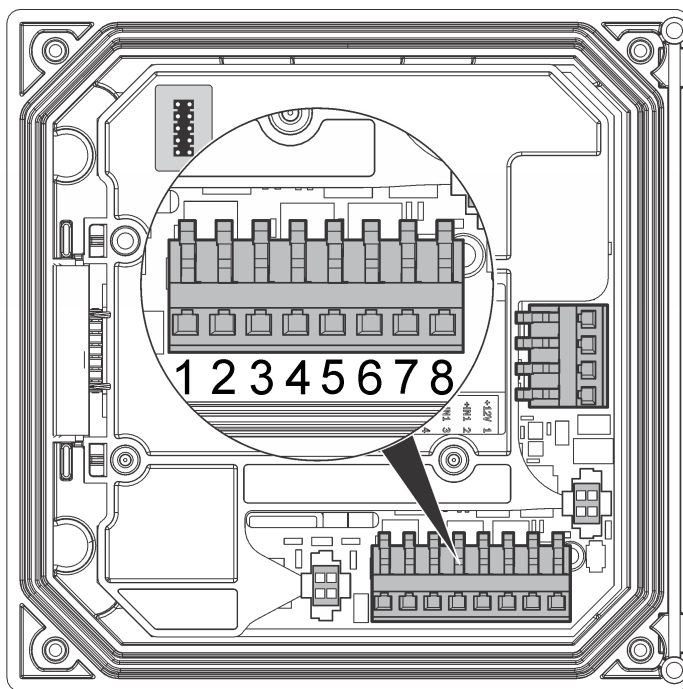


Πιθανός κίνδυνος ηλεκτροπληξίας. Προκειμένου να διατηρήσετε την περιβαλλοντική βαθμολόγηση του περιβλήματος από τη NEMA σε IP, χρησιμοποιείτε μόνο εξαρτήματα κατηγορίας τουλάχιστον 4X/IP66 για να περάσετε τα καλώδια στο όργανο.

Παρέχονται τρεις εισόδοι διακριτών δεδομένων για εισόδους κλεισίματος διακόπτη ή τάσης λογικού επιπέδου. Εκτελέστε τις συνδέσεις καλωδιώσεων και διαμορφώστε τις ρυθμίσεις βραχυκυκλωτήρα στον ελεγκτή όπως φαίνεται στο [Εικόνα 9](#), [Πίνακας 4](#) και [Εικόνα 10](#).

Σημείωση: Το [Εικόνα 9](#) απεικονίζει την πίσω πλευρά του καλύμματος και όχι το εσωτερικό του κύριου διαμερίσματος του ελεγκτή.

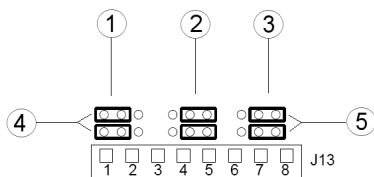
Εικόνα 9 Συνδέσεις καλωδιώσεων εισόδων διακριτών δεδομένων



Πίνακας 4 Συνδέσεις εισόδων

Είσοδοι διακριτών δεδομένων	Θέση συνδέσμου - Είσοδος διακόπτη	Θέση συνδέσμου - Είσοδος τάσης
Είσοδος 1+	3	2
Είσοδος 1-	2	3
Είσοδος 2+	6	5
Είσοδος 2-	5	6
Είσοδος 3+	8	7
Είσοδος 3-	7	8

Εικόνα 10 Ρυθμίσεις βραχυκυκλωτήρα



1 Διαμόρφωση βραχυκυκλωτήρων για Είσοδο 1	4 Βραχυκυκλωτήρες τοποθετημένοι αριστερά για εισόδους διακόπτη
2 Διαμόρφωση βραχυκυκλωτήρων για Είσοδο 2	5 Βραχυκυκλωτήρες τοποθετημένοι δεξιά για εισόδους τάσης
3 Διαμόρφωση βραχυκυκλωτήρων για Είσοδο 3	

1. Ανοίξτε το κάλυμμα του ελεγκτή.
2. Τροφοδοτείστε τα καλώδια μέσω του στυπιοθλίπτη καλωδίου.
3. Προσαρμόστε κατάλληλα το καλώδιο και σφίξτε το στυπιοθλίπτη καλωδίου.
4. Οι βραχυκυκλωτήρες τοποθετούνται απευθείας πίσω από το σύνδεσμο. Αφαιρέστε το σύνδεσμο για βελτιωμένη πρόσβαση στους βραχυκυκλωτήρες και διαμορφώστε τις ρυθμίσεις βραχυκυκλωτήρα σύμφωνα με τον τύπο εισόδου όπως φαίνεται στο [Εικόνα 10](#).
5. Κλείστε το κάλυμμα του ελεγκτή και σφίξτε τις βίδες.
6. Διαμορφώστε τις εισόδους στον ελεγκτή.

Σημείωση: Στη λειτουργία **εισόδου διακόπτη**, ο ελεγκτής παρέχει 12 V στο διακόπτη και δεν απομονώνεται από τον ελεγκτή. Στη λειτουργία **εισόδου τάσης**, οι εισόδους απομονώνονται από τον ελεγκτή (τάση εισόδου χρήση από 0 έως 30 V).

Συνδέστε έναν ψηφιακό αισθητήριο sc.

Σημείωση: Για να συνδέσετε έναν αναλογικό αισθητήριο, ανατρέξτε στο εγχειρίδιο του αισθητηρίου ή στις οδηγίες που παρέχονται μαζί με τη μονάδα.

Για να συνδέσετε το ψηφιακό αισθητήριο sc στον ελεγκτή, μπορείτε να χρησιμοποιήσετε το εξάρτημα γρήγορης σύνδεσης ([Εικόνα 11](#)). Μπορείτε να συνδέσετε το ψηφιακό αισθητήριο είτε ο ελεγκτής είναι ενεργοποιημένος, είτε είναι απενεργοποιημένος.

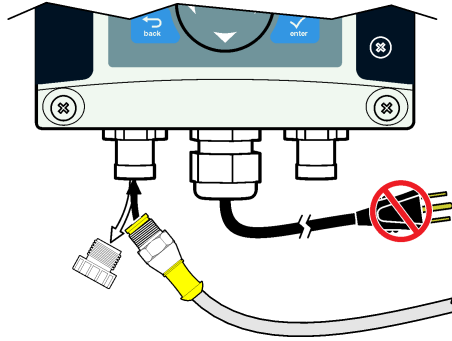
Αν το αισθητήριο συνδεθεί ενώ ο ελεγκτής είναι ενεργοποιημένος, ο ελεγκτής δεν πραγματοποιεί αυτόματα σάρωση της συσκευής. Για να πραγματοποιήσετε σάρωση της συσκευής με τον ελεγκτή, πλοηγηθείτε στο μενού Έλεγχος/ Συντήρηση και επιλέξτε Σάρωση συσκευών. Αν ανιχνευθεί κάποια νέα συσκευή, ο ελεγκτής πραγματοποιεί τη διαδικασία εγκατάστασης χωρίς να χρειαστεί να πραγματοποιήσετε κάποια άλλη ενέργεια.

Αν το αισθητήριο συνδεθεί ενώ ο ελεγκτής είναι απενεργοποιημένος, ο ελεγκτής θα πραγματοποιήσει σάρωση της συσκευής την επόμενη φορά που θα ενεργοποιηθεί. Αν ανιχνευθεί κάποια νέα συσκευή, ο ελεγκτής πραγματοποιεί τη διαδικασία εγκατάστασης χωρίς να χρειαστεί να πραγματοποιήσετε κάποια άλλη ενέργεια.

Φυλάξτε το καπάκι του συνδέσμου, έτσι ώστε να μπορείτε να στεγανοποιήσετε το άνοιγμα του συνδέσμου σε περίπτωση που το αισθητήριο πρέπει να αφαιρεθεί.

Εικόνα 11 Γρήγορη σύνδεση του ψηφιακού αισθητηρίου

1.



Σύνδεση της προαιρετικής ψηφιακής εξόδου επικοινωνίας

Ο κατασκευαστής υποστηρίζει τα πρωτόκολλα επικοινωνίας Modbus RS485, Modbus RS232, Profibus DPV1 και HART. Η προαιρετική μονάδα ψηφιακής εξόδου είναι τοποθετημένη στη θέση που υποδεικνύεται από το στοιχείο 4 στο [Εικόνα 7](#) στη σελίδα 566. Για περισσότερες λεπτομέρειες, ανατρέξτε στις οδηγίες που συνοδεύουν τη μονάδα δικτύου.

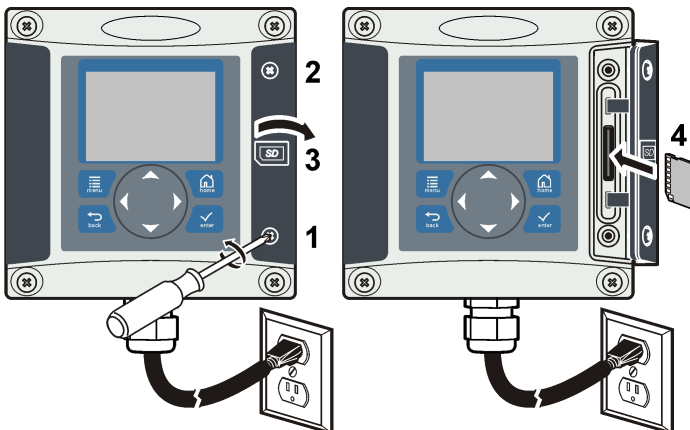
Για πληροφορίες σχετικά με τα μητρώα Modbus, μεταβείτε στη διεύθυνση <http://www.hach-lange.com> ή <http://www.hach.com> και αναζητήστε τα *μητρώα Modbus* ή μεταβείτε σε οποιαδήποτε σελίδα του προϊόντος sc200.

Εισαγωγή μιας κάρτας μνήμης SD.

Για οδηγίες σχετικά με τον τρόπο εγκατάστασης μιας κάρτας SD στον ελεγκτή, ανατρέξτε στο [Εικόνα 12](#). Μπορείτε να βρείτε πληροφορίες σχετικά με τη χρήση της κάρτας μνήμης SD στην εκτεταμένη έκδοση του παρόντος εγχειριδίου.

Για να αφαιρέσετε μια κάρτα SD από την υποδοχή, πιέστε προς τα κάτω στην άκρη της και απελευθερώστε την, και στη συνέχεια τραβήξτε την προς τα πάνω και έξω από την υποδοχή. Αφού αφαιρέσετε την κάρτα, κλείστε το κάλυμμα της υποδοχής και σφίξτε τις βίδες.

Εικόνα 12 Εγκατάσταση κάρτας SD

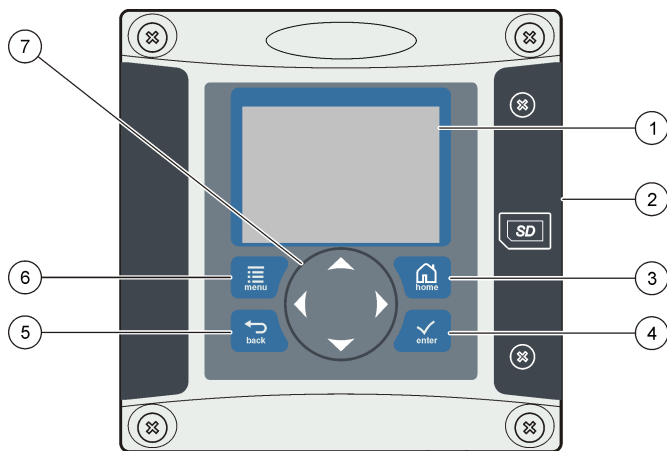


Διεπαφή και πλοήγηση χρήστη

Διεπαφή χρήστη

Το πληκτρολόγιο διαθέτει τέσσερα πλήκτρα μενού και τέσσερα πλήκτρα κατεύθυνσης, όπως απεικονίζεται στο [Εικόνα 13](#).

Εικόνα 13 Συνοπτική παρουσίαση του πληκτρολογίου και της μπροστινής οθόνης



1 Οθόνη συσκευής	5 Πλήκτρο BACK . Μετακίνηση ένα επίπεδο πίσω στη δομή του μενού.
2 Κάλυμμα υποδοχής κάρτας μνήμης SD	6 Πλήκτρο MENU . Μετακίνηση στο μενού Ρυθμίσεις από άλλες οθόνες και υπομενού.
3 Πλήκτρο HOME . Μετακίνηση στην οθόνη Κύριας Μέτρησης από άλλες οθόνες και υπομενού.	7 Πλήκτρα κατεύθυνσης. Χρήση για πλοήγηση στα μενού, για αλλαγή ρυθμίσεων και για αύξηση ή μείωση των ψηφίων.
4 Πλήκτρο ENTER . Αποδοχή τιμών εισόδου, ενημερώσεων ή επιλογών εμφανιζόμενου μενού.	

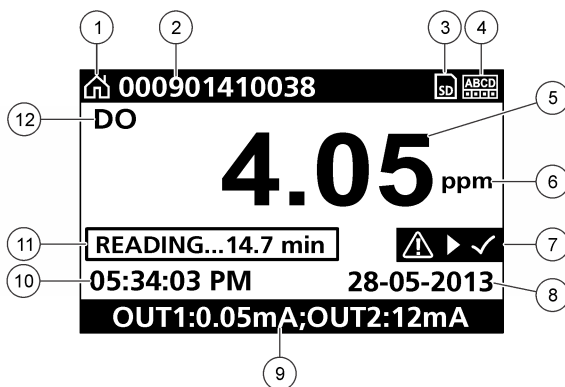
Οι εισοδοί και οι έξοδοι ρυθμίζονται και διαμορφώνονται μέσω του μπροστινού πίνακα, με χρήση του πληκτρολογίου και της οθόνης οπτικής απεικόνισης. Η συγκεκριμένη διεπαφή χρήστη χρησιμοποιείται για τη ρύθμιση και τη διαμόρφωση εισόδων και εξόδων, για τη δημιουργία πληροφοριών καταγραφής και υπολογισμένων τιμών, καθώς και για τη βαθμονόμηση των αισθητήριων. Η διεπαφή SD μπορεί να χρησιμοποιηθεί για την αποθήκευση των αρχείων καταγραφής και για την ενημέρωση λογισμικού.

Οθόνη

Το [Εικόνα 14](#) απεικονίζει ένα παράδειγμα της οθόνης κύριας μέτρησης με ένα αισθητήριο διαλυμένου οξυγόνου συνδεδεμένο στον ελεγκτή.

Το εμπρόσθιο μέρος της οθόνης απεικονίζει τα δεδομένα μέτρησης του αισθητηρίου, τις ρυθμίσεις βαθμονόμησης και διαμόρφωσης, καθώς και σφάλματα, προειδοποιήσεις και άλλες πληροφορίες.

Εικόνα 14 Παράδειγμα της οθόνης κύριας μέτρησης



1 Εικονίδιο αρχικής οθόνης.	7 Γραμμή κατάστασης προειδοποίησης
2 Όνομα αισθητηρίου	8 Ημερομηνία
3 Εικονίδιο κάρτας μνήμης SD	9 Τιμές αναλογικών εξόδων
4 Ένδειξη κατάστασης ρελέ	10 Χρόνος
5 Τιμή μέτρησης	11 Γραμμή προόδου
6 Μονάδα μέτρησης	12 Παράμετρος μέτρησης

Πίνακας 5 Περιγραφές εικονιδίων

Εικονίδιο	Περιγραφή
Αρχική οθόνη	Το εικονίδιο μπορεί να διαφέρει ανάλογα με την οθόνη ή το μενού που εμφανίζεται. Για παράδειγμα, εάν έχει τοποθετηθεί κάρτα SD, εδώ εμφανίζεται το εικονίδιο της κάρτας SD όταν ο χρήστης βρίσκεται στο μενού SD Card Setup (Ρύθμιση κάρτας SD).
Κάρτα μνήμης SD	Εμφανίζεται μόνο όταν έχει τοποθετηθεί μια κάρτα SD στην υποδοχή ανάγνωσης. Όταν ο χρήστης βρίσκεται στο μενού SD Card Setup (Ρύθμιση κάρτας SD), το εικονίδιο εμφανίζεται στην πάνω αριστερή γωνία.
Προειδοποίηση	Το εικονίδιο προειδοποίησης αποτελείται από ένα θαυμαστικό μέσα σε ένα τρίγωνο. Τα εικονίδια προειδοποίησης εμφανίζονται στα δεξιά της κύριας οθόνης κάτω από την τιμή μέτρησης. Πιέστε το πλήκτρο ENTER και επιλέξτε τη συσκευή για να δείτε τυχόν προβλήματα που σχετίζονται με τη συγκεκριμένη συσκευή. Όταν όλα τα προβλήματα διορθωθούν ή αναγνωριστούν, το εικονίδιο προειδοποίησης δεν θα εμφανίζεται πλέον.
Σφάλμα	Το εικονίδιο σφάλματος αποτελείται από ένα θαυμαστικό μέσα σε έναν κύκλο. Όταν προκύπτει ένα σφάλμα, το εικονίδιο σφάλματος και η οθόνη μέτρησης αναβοσβήνουν εναλλάξ στην κύρια οθόνη. Για να δείτε τα σφάλματα, πιέστε το πλήκτρο MENU και επιλέξτε Διαγνωστική εφαρμογή . Στη συνέχεια, επιλέξτε τη συσκευή για να δείτε τυχόν προβλήματα που σχετίζονται με τη συγκεκριμένη συσκευή.

Πρόσθετες μορφές ενδείξεων

- Από την οθόνη κύριας μέτρησης, πιέστε τα πλήκτρα **ΠΑΝΩ** και **ΚΑΤΩ** βέλους για εναλλαγή μεταξύ των παραμέτρων μέτρησης
- Από την οθόνη κύριας μέτρησης, πιέστε το πλήκτρο **ΔΕΞΙΟΥ** βέλους για μετάβαση σε μια οθόνη χωρισμένη έως και σε 4 παραμέτρους μέτρησης. Πιέστε το πλήκτρο **ΔΕΞΙΟΥ** βέλους για να συμπεριλάβετε επιπλέον μετρήσεις. Πιέστε το πλήκτρο **ΑΡΙΣΤΕΡΟΥ** βέλους, όταν χρειάζεται, για επιστροφή στην οθόνη κύριας μέτρησης
- Από την οθόνη κύριας μέτρησης, πιέστε το πλήκτρο **ΑΡΙΣΤΕΡΟΥ** βέλους για μετάβαση στην οθόνη γραφικών (βλ. **Οθόνη γραφικών** στη σελίδα 578 για ορισμό των παραμέτρων). Πιέστε τα πλήκτρα **ΠΑΝΩ** και **ΚΑΤΩ** βέλους για εναλλαγή των γραφημάτων μέτρησης

Οθόνη γραφικών

Το γράφημα δείχνει τις μετρήσεις συγκέντρωσης και θερμοκρασίας για κάθε κανάλι που χρησιμοποιείται. Το γράφημα διευκολύνει την παρακολούθηση των στατιστικών τάσεων και παρουσιάζει τις μεταβολές στην επεξεργασία.

1. Από την οθόνη γραφικών χρησιμοποιήστε τα πλήκτρα πάνω και κάτω βέλους για να επιλέξετε ένα γράφημα και πιέστε το πλήκτρο **HOME**.
2. Ορίστε μια επιλογή:

Επιλογή	Περιγραφή
MEASUREMENT VALUE (TIMH METΡΗΣΗΣ)	Ορίζει την τιμή μέτρησης για το επιλεγμένο κανάλι. Επιλέξτε μεταξύ Auto Scale (Αυτόμ. ρύθ. κλίμακας) και Manually Scale (Μη αυτ. ρύθ. κλίμακας). Για μη αυτόματη ρύθμιση κλίμακας, εισαγάγετε τις ελάχιστες και μέγιστες τιμές μέτρησης
DATE & TIME RANGE (ΕΥΡΟΣ ΗΜΕΡΟΜΗΝΙΩΝ ΚΑΙ ΩΡΩΝ)	Ορίστε το εύρος ημερομηνίας και ώρας από τις διαθέσιμες επιλογές

Έναρξη λειτουργίας συστήματος

Κατά την ενεργοποίηση της συσκευής, εμφανίζονται με τη σειρά στην οθόνη: Γλώσσα, Μορφή ημερομηνίας και Ημερομηνία/Ωρα. Αφού ρυθμιστούν αυτές οι επιλογές, ο ελεγκτής πραγματοποιεί σάρωση της συσκευής και εμφανίζει το μήνυμα **Σάρωση για συσκευές. Παρακαλώ περιμένετε...** Αν εντοπιστεί νέα συσκευή, ο ελεγκτής πραγματοποιεί τη διαδικασία εγκατάστασης πριν εμφανίσει μια οθόνη κύριας μέτρησης.

Αν η σάρωση εντοπίσει συσκευές που έχουν ήδη εγκατασταθεί χωρίς αλλαγές στη διαμόρφωση, η οθόνη κύριας μέτρησης της συσκευής που βρίσκεται στη θέση νούμερο ένα εμφανίζεται αμέσως μετά την ολοκλήρωση της σάρωσης.

Αν κάποια συσκευή έχει αφαιρεθεί από τον ελεγκτή ή αν δεν εντοπιστεί κατά την επόμενη σάρωση (είτε αυτή γίνει μετά από απενεργοποίηση και ενεργοποίηση, είτε μέσω του μενού), ο ελεγκτής εμφανίζει ένα μήνυμα **Απουσία συσκευής** και σας προτρέπει να διαγράψετε τη συσκευή που λείπει.

Αν δεν υπάρχει αισθητήριο συνδεδεμένος σε μια εγκατεστημένη αναλογική μονάδα, ο ελεγκτής θα υποδείξει σφάλμα. Αν οι συσκευές είναι συνδεδεμένες αλλά ο ελεγκτής δεν μπορεί να τις εντοπίσει, ανατρέξτε στην ενότητα [Αντιμετώπιση προβλημάτων](#) στη σελίδα 580.

Ρύθμιση της γλώσσας, της ημερομηνίας και της ώρας για πρώτη φορά

Ο ελεγκτής εμφανίζει τις οθόνες επεξεργασίας γλώσσας, ημερομηνίας και ώρας όταν ενεργοποιείται για πρώτη φορά, καθώς και όταν ενεργοποιείται μετά την επαναφορά των ρυθμίσεων διαμόρφωσης στις αρχικές τους τιμές.

Αφού ρυθμίσετε τις επιλογές γλώσσας, ημερομηνίας και ώρας για πρώτη φορά, θα μπορείτε να τις ενημερώνετε όποτε είναι απαραίτητο μέσα από το μενού ρύθμισης του sc200.

1. Στην οθόνη Γλώσσα, επισημάνετε μία γλώσσα από τη λίστα επιλογών και πατήστε το πλήκτρο **ENTER**. Προεπιλεγμένη γλώσσα είναι τα Αγγλικά.
Η γλώσσα που επιλέξατε αποθηκεύεται. Εμφανίζεται η οθόνη Μορφή ημερομηνίας.
2. Στην οθόνη Μορφή ημερομηνίας, επισημάνετε μια μορφή και πατήστε το πλήκτρο **ENTER**. Η μορφή ημερομηνίας και ώρας αποθηκεύεται. Στη συνέχεια εμφανίζεται η οθόνη Ημερομηνία/Ωρα.
3. Στην οθόνη Ημερομηνία/Ωρα, πατήστε τα πλήκτρα βελών **ΔΕΞΙΑ** ή **ΑΡΙΣΤΕΡΑ** για να επισημάνετε ένα πεδίο και στη συνέχεια πατήστε τα πλήκτρα βελών **ΠΑΝΩ** και **ΚΑΤΩ** για να ενημερώσετε την τιμή στο πεδίο. Ενημερώστε με κατάλληλο τρόπο τα υπόλοιπα πεδία.
4. Πατήστε το πλήκτρο **ENTER**.
Οι αλλαγές αποθηκεύονται και ο ελεγκτής πραγματοποιεί σάρωση για συσκευές. Αν η σάρωση εντοπίσει συνδεδεμένες συσκευές, ο ελεγκτής εμφανίζει την οθόνη κύριας μέτρησης της συσκευής που βρίσκεται στη θέση νούμερο ένα. Αν ο ελεγκτής δεν καταφέρει να εντοπίσει συνδεδεμένες συσκευές, ανατρέξτε στην ενότητα [Αντιμετώπιση προβλημάτων](#) στη σελίδα 580.

Πληροφορίες διαμόρφωσης ελεγκτή

Στον πίνακα αναφέρονται γενικές πληροφορίες για τις επιλογές διαμόρφωσης.

1. Για να πλοηγηθείτε στις επιλογές μενού, επιλέξτε Ρύθμιση sc200 από το μενού Ρύθμιση.

Επιλογή	Περιγραφή
Ρύθμιση ασφάλειας	Ρύθμιση των προτιμήσεων κωδικών πρόσβασης.
Ρύθμιση εξόδων	Ρύθμιση των αναλογικών εξόδων του ελεγκτή
Ρύθμιση ρελέ	Ρύθμιση των ρελέ του ελεγκτή
Ρύθμιση ενδείξεων	Ρύθμιση των ενδείξεων ελεγκτή
Ρύθμιση Ημερομηνίας/ Ώρας	Ρύθμιση ημερομηνίας και ώρας του ελεγκτή
Ρύθμιση αρχείων καταγραφής δεδομένων	Διαμόρφωση των επιλογών καταγραφής δεδομένων. Διαθέσιμο μόνο αν έχει εγκατασταθεί ο Υπολογισμός.
Διαχείριση δεδομένων	Επιλέξτε τη συσκευή από τη λίστα εγκατεστημένων εξαρτημάτων για προβολή των δεδομένων ή του αρχείου καταγραφής συμβάντων
Λειτουργία σε κράτηση σε περίπτωση σφάλματος	Κράτηση εξόδων - Κράτηση των εξόδων στην τελευταία γνωστή τιμή όταν ο ελεγκτής χάνει την επικοινωνία με το αισθητήριο. Μεταφορά εξόδων - Αλλαγή σε λειτουργία μεταφοράς όταν ο ελεγκτής χάνει την επικοινωνία με το αισθητήριο. Οι έξοδοι μεταφέρονται σε μια προκαθορισμένη τιμή.
Υπολογισμός	Ρύθμιση της μαθηματικής συνάρτησης ελεγκτή
Πληροφορίες για τον sc200	ΕΚΔ. ΛΟΓΙΣΜ.: - Εμφάνιση της τρέχουσας έκδοσης λογισμικού του ελεγκτή ΕΚΔ. Bootloader: - Εμφάνιση της τρέχουσας έκδοσης του Bootloader Το Bootloader είναι ένα αρχείο που εντοπίζει το κύριο λειτουργικό σύστημα για τον ελεγκτή Σ.Α.: - Εμφάνιση του αριθμού σειράς του ελεγκτή Έκδοση: —Εμφάνιση της τρέχουσας έκδοσης του υλικού ελεγκτή
Discrete Input Setup (Ρύθμιση διακριτών δεδομένων)	Ρύθμιση τριών καναλιών εισόδου διακριτών δεδομένων
Γλώσσα	Καθορίζει τη γλώσσα που χρησιμοποιείται στον ελεγκτή

2. Πραγματοποιήστε μια επιλογή και πατήστε **ENTER** για να ενεργοποιήσετε το στοιχείο μενού.

Συντήρηση

⚠ ΠΡΟΣΟΧΗ



Πολλαπλοί κίνδυνοι. Μόνο ειδικευμένο προσωπικό πρέπει να εκτελεί τις εργασίες που περιγράφονται σε αυτήν την ενότητα του εγχειριδίου.

Καθαρισμός του ελεγκτή

⚠ ΚΙΝΔΥΝΟΣ



Να διακόπτετε πάντα την παροχή ρεύματος από τον ελεγκτή πριν από την εκτέλεση δραστηριοτήτων συντήρησης.

Σημείωση: Μην χρησιμοποιείτε ποτέ εύφλεκτα ή διαβρωτικά διαλυτικά, για να καθαρίσετε μέρη του ελεγκτή. Η χρήση αυτών των διαλυτικών ενδέχεται να μειώσει την περιβαλλοντική προστασία της μονάδας και να ακυρώσει την εγγύηση.

1. Βεβαιωθείτε ότι το κάλυμμα του ελεγκτή έχει κλείσει καλά.
2. Καθαρίστε το εξωτερικό του ελεγκτή με ένα πανί βρεγμένο με νερό ή με διάλυμα ήπιου απορρυπαντικού και νερού.

Αντιμετώπιση προβλημάτων

Πρόβλημα	Λύση
Δεν υπάρχει έξοδος ρεύματος	Ελέγξτε τη διαμόρφωση της εξόδου ρεύματος.
	Ελέγξτε το σήμα της εξόδου ρεύματος από το υπομενού Έλεγχος/ Συντήρηση. Εισαγάγετε μια τιμή ρεύματος και ελέγξτε το σήμα εξόδου στις συνδέσεις του ελεγκτή.
	Επικοινωνήστε με το Τμήμα Τεχνικής Υποστήριξης.
Λανθασμένη έξοδος ρεύματος	Ελέγξτε τη διαμόρφωση της εξόδου ρεύματος.
	Ελέγξτε το σήμα της εξόδου ρεύματος από το υπομενού Έλεγχος/ Συντήρηση. Εισαγάγετε μια τιμή ρεύματος και ελέγξτε το σήμα εξόδου στις συνδέσεις του ελεγκτή. Εάν η έξοδος είναι λανθασμένη, πραγματοποιήστε βαθμονόμηση.
Το ρελέ δεν ενεργοποιείται	Βεβαιωθείτε πως οι συνδέσεις ρελέ είναι ασφαλισμένες.
	Αν χρησιμοποιείτε εξωτερική πηγή ισχύος, βεβαιωθείτε πως η καλωδίωση του ρελέ είναι σωστή.
	Βεβαιωθείτε πως η διαμόρφωση του ρελέ είναι σωστή.
	Ελέγξτε την ενεργοποίηση του ρελέ από το μενού Έλεγχος/ Συντήρηση. Καθώς το επιλέγετε, το ρελέ πρέπει να ενεργοποιείται και να απενεργοποιείται.
	Βεβαιωθείτε πως ο ελεγκτής δεν βρίσκεται σε λειτουργία βαθμονόμησης και πως το ρελέ δεν είναι σε κράτηση.
	Πραγματοποιήστε επαναφορά του χρονοδιακόπτη υπερτροφοδοσίας, προκειμένου να βεβαιωθείτε πως δεν έχει λήξει.

Πρόβλημα	Λύση
Η κάρτα μνήμης SD δεν αναγνωρίζεται από τον ελεγκτή.	Βεβαιωθείτε πως η κάρτα SD είναι τοποθετημένη σωστά. Τα ίχνη χαλκού θα πρέπει να βλέπουν την οθόνη του ελεγκτή.
	Βεβαιωθείτε πως η κάρτα SD βρίσκεται σε εντελώς ευθεία θέση στην υποδοχή και ότι το ελατηριωτό κλειδώμα είναι ασφαλισμένο.
	Βεβαιωθείτε πως η κάρτα SD έχει τη σωστή μορφή, δηλαδή Fat 32. Δεν υποστηρίζεται η μορφή MMC. Ακολουθήστε τις οδηγίες του κατασκευαστή της κάρτας για να διαμορφώσετε την κάρτα SD σε έναν υπολογιστή.
	Βεβαιωθείτε πως η κάρτα δεν είναι μεγαλύτερη από 32 GB.
	Βεβαιωθείτε πως χρησιμοποιείται μια κάρτα SD. Κάρτες άλλου τύπου (όπως xSD, micro SD, mini SD) δεν θα λειτουργήσουν σωστά.
Οι πληροφορίες δεν αποθηκεύονται σωστά, ή δεν αποθηκεύονται καθόλου, στην κάρτα SD.	Βεβαιωθείτε πως η κάρτα SD έχει τη σωστή μορφή, δηλαδή Fat 32. Δεν υποστηρίζεται η μορφή MMC. Ακολουθήστε τις οδηγίες του κατασκευαστή της κάρτας για να διαμορφώσετε την κάρτα SD σε έναν υπολογιστή.
	Εάν η κάρτα SD έχει ξαναχρησιμοποιηθεί, διαμορφώστε τη σε μορφή Fat 32, εγκαταστήστε τη στον ελεγκτή και δοκιμάστε να πραγματοποιήσετε λήψη αρχείων.
	Δοκιμάστε με μια διαφορετική κάρτα SD.
Κάρτα SD πλήρης	Ανάγνωση κάρτας SD με υπολογιστή ή άλλη συσκευή ανάγνωσης κάρτας. Αποθηκεύστε σημαντικά αρχεία και κατόπιν διαγράψτε ορισμένα ή όλα τα αρχεία της κάρτας SD.
Ο ελεγκτής δεν μπορεί να εντοπίσει ενημερώσεις λογισμικού στην κάρτα SD.	Βεβαιωθείτε ότι δημιουργείται ο κατάλληλος φάκελος, εγκαθιστώντας την κάρτα SD στον ελεγκτή. Θα δημιουργηθεί αυτόματα ένας φάκελος ενημερώσεων.
	Εγκαταστήστε την κάρτα SD σε έναν υπολογιστή και βεβαιωθείτε πως τα αρχεία λογισμικού βρίσκονται στον κατάλληλο φάκελο αρχείων.
	Αν η ίδια κάρτα SD χρησιμοποιείται με περισσότερους από έναν ελεγκτές, ο κάθε ελεγκτής θα έχει ξεχωριστό φάκελο στο σύστημα. Βεβαιωθείτε πως οι ενημερώσεις λογισμικού βρίσκονται στο φάκελο που αντιστοιχεί στον ελεγκτή που χρησιμοποιείται.
Η οθόνη είναι αναμμένη αλλά δεν εμφανίζει χαρακτηρισές, ή οι χαρακτηρισές είναι ξεθωριασμένοι ή θολοί.	Προσαρμογή της αντίθεσης οθόνης
	Βεβαιωθείτε πως από την οθόνη έχει αφαιρεθεί η προστατευτική ταινία.
	Καθαρίστε το εξωτερικό μέρος του ελεγκτή, συμπεριλαμβανομένης της οθόνης.
Ο ελεγκτής δεν ενεργοποιείται ή ενεργοποιείται διακεκομμένα.	Βεβαιωθείτε πως οι συνδέσεις EP είναι σωστά συνδεδεμένες στον ελεγκτή.
	Βεβαιωθείτε πως η μπαλαντζά, η κεντρική παροχή ρεύματος και η επιτοίχια πρίζα είναι συνδεδεμένες σωστά.
	Επικοινωνήστε με το Τμήμα Τεχνικής Υποστήριξης

Πρόβλημα	Λύση
Η μονάδα του αισθητηρίου ή του δικτύου δεν αναγνωρίζεται	Βεβαιωθείτε πως η μονάδα είναι εγκατεστημένη σωστά.
	Βεβαιωθείτε πως ο διακόπτης επιλογής μονάδας είναι ρυθμισμένος στο σωστό αριθμό.
	Απομακρύνετε τη μονάδα του αισθητηρίου και εγκαταστήστε τη στη δεύτερη αναλογική υποδοχή. Τροφοδοτήστε τον ελεγκτή με ρεύμα και επιτρέψτε του να πραγματοποιήσει σάρωση της συσκευής.
	Επικοινωνήστε με το Τμήμα Τεχνικής Υποστήριξης.
Το αισθητήριο δεν αναγνωρίζεται Σημείωση: Παράδειγμα πιθανού εμφανιζόμενου μηνύματος: ****	Αν το αισθητήριο είναι αναλογικό και στον ελεγκτή βρίσκεται εγκατεστημένη μια αντίστοιχη μονάδα, ανατρέξτε στις οδηγίες που παρέχονται με τη Μονάδα Δικτύου ή Ελεγκτή.
	Βεβαιωθείτε πως η ψηφιακή σύνδεση της καλωδίωσης είναι τοποθετημένη στο εσωτερικό της θύρας και πως δεν έχει υποστεί βλάβη.
	Αν το ψηφιακό αισθητήριο είναι συνδεδεμένο στο φιν με ψηφιακό κουτί τερματισμού, κουτί σύνδεσης καλωδίων του χρήστη, ψηφιακά καλώδια επέκτασης ή καλώδιο επέκτασης του χρήστη, συνδέστε το αισθητήριο απευθείας στον ελεγκτή και πραγματοποιήστε σάρωση της συσκευής. Αν ο ελεγκτής αναγνωρίσει το αισθητήριο, ελέγξτε αν όλη η καλωδίωση στα κουτιά σύνδεσης καλωδίων ή στα καλώδια επέκτασης είναι σωστή.
	Βεβαιωθείτε πως στον ελεγκτή βρίσκονται εγκατεστημένα μονάχα δύο αισθητήρια. Αν και είναι διαθέσιμες δύο υποδοχές αναλογικών μονάδων, αν είναι εγκατεστημένο κάποιο ψηφιακό αισθητήριο και δύο αναλογικές μονάδες, μονάχα δύο από τις τρεις συσκευές θα είναι ορατές από τον ελεγκτή.
	Επικοινωνήστε με το Τμήμα Τεχνικής Υποστήριξης
Εμφανίζεται το μήνυμα σφάλματος «Απουσία συσκευής»	Πραγματοποιήστε Σάρωση συσκευής από το μενού Έλεγχος/ Συντήρηση.
	Απενεργοποιήστε τον ελεγκτή και ενεργοποιήστε τον ξανά

Sisukord

[Tehnilised andmed](#) leheküljel 583

[Üldteave](#) leheküljel 584

[Paigaldamine](#) leheküljel 587

[Kasutajaliides ja navigeerimine](#) leheküljel 602

[Süsteemi käivitamine](#) leheküljel 605

[Hooldus](#) leheküljel 606

[Veatsing](#) leheküljel 607

Lisateave

Lisateavet leiate tootja veebilehelt.

Tehnilised andmed

Tehnilisi andmeid võidakse ette teatamata muuta.

Tehniline näitaja	Üksikasjad
Osa kirjeldus	Mikroprotsessori juhtimisega menüüpõhine juhtpult, mis juhib andurit ja kuvab mõõdetud väärtusi.
Töötemperatuur	−20 kuni 60 °C (−4 kuni 140 °F); suhteline õhuniiskus 95%, mittecondenseeruv anduri koormusel <7 W; −20 kuni 50 °C (−4 kuni 104 °F) anduri koormusel <28 W
Hoiustustemperatuur	−20 kuni 70 °C (−4 kuni 158 °F); suhteline õhuniiskus 95%, mittecondenseeruv
Korpus ¹	NEMA 4X/IP66 metallkorpus korrosioonikindla viimistlusega
Nõuded vooluvõrgule	Vahelduvvoolu-toitega juhtpult: 100–240 VAC ±10%, 50/60 Hz; võimsus 50 VA, kui anduri/võrgumooduli koormus on 7 W, ja võimsus 100 VA, kui anduri/võrgumooduli koormus on 28 W (valikuline võrguühendus Modbus RS232/RS485, Profibus DPV1 või HART). 24 VDC toitega juhtpult: 24 VDC -15%, + 20%; võimsus 15 W, kui anduri/võrgumooduli koormus on 7 W, ja võimsus 40 W, kui anduri/võrgumooduli koormus on 28 W (valikuline võrguühendus Modbus RS232/RS485, Profibus DPV1 või HART).
Nõuded kõrgusele	Standard: 2000 m (6562 jalga) ASL (Above Sea Level – merepinna kõrgemal)
Saasteaste / paigaldamise kategooria	Saasteaste 2; paigaldamise kategooria II
Väljundid	Kaks analoogväljundit (0–20 mA või 4–20 mA). Iga analoogväljundi saab määrata esindama mõnd mõõdetud parameetrit, näiteks pH, temperatuur, vooluhulk või arvutatud väärtus. Valikuline moodul pakub kolme lisaanaloogväljundit (kokku 5).
Relee	Nelja SPDT, kasutaja konfigureeritud kontaktide nominaalandmed on 250 VAC, vahelduvvooluga juhtpuldi puhul maksimaalne takistus 5 A; ja 24 VDC, alalisvooluga juhtpuldi puhul maksimaalne takistus 5 A. Releed on kavandatud vahelduvvooluvõrkudega ühendamiseks (s.o alati, kui kasutatakse 115–240 VAC) või alalisvooluvõrkudega ühendamiseks (s.o alati kui kasutatakse 24 VDC).
Mõõtmed	½ DIN — 144 x 144 x 180,9 mm (5,7 x 5,7 x 7,12 tolli)
Kaal	1,7 kg (3,75 naela)
Vastavusteave ²	CE heakskiiduga (kõigile anduritüüpidele) Kantud registritesse kasutamiseks üldistes asukohtades UL-i ja CSA ohutusstandarditega ETL-i poolt (kõigi anduritüüpidega). Teatud vahelduvvoolu-toitega mudelid on kantud registritesse kasutamiseks üldistes asukohtades UL-i ja CSA ohutusstandarditega Underwriters Laboratories poolt (kõigi anduritüüpidega).

Tehniline näitaja	Üksikasjad
Digitaalne kommunikatsioon	Valikuline võrguühendus Modbus RS232/RS485, Profibus DPV1 või HART andmeedastuseks
Andmete logimine	Secure Digital Card (32 GB max) või spetsiaalne RS232 kaablipistik andmete logimiseks ja tarkvarauuenduste tegemiseks. Juhtpult säilitab umbes 20 000 andmepunkti anduri kohta.
Garantii	2 aastat

¹ Seadmed, mille on sertifitseerinud Underwriters Laboratories (UL), on ette nähtud kasutamiseks ainult siseruumides ning neil ei ole NEMA 4X/IP66 reitingut.

² UL ei ole registritesse kandnud alalisvooluseadmeid

Üldteave

Tootja ei ole mingil juhul vastutav otseste, kaudsete, erijuhudest tingitud, kaasnevate või tulenevate vigastuste eest, mis on tingitud käesoleva kasutusjuhendi vigadest või puudustest. Tootja jätab endale õiguse igal ajal teha käesolevas kasutusjuhendis ja tootes muudatusi, ilma neist teatamata või kohustusi võtmata. Uuendatud väljaanded on kättesaadavad tootja veebilehel.

Ohutusteave

TEADE

Tootja ei vastuta mis tahes kahjude eest, mida põhjustab toote vale kasutamine, sealhulgas kuid mitte ainult otsesed, juhuslikud ja tegevuse tulemusest johtuvad kahjud, ning ütleb sellistest kahjunõuetest lahti kohaldatava seadusega lubatud täielikul määral. Kasutaja vastutab ainuisikuliselt oluliste kasutusohutuste tuvastamise ja sobivate kaitsemeetodite rakendamise eest protsesside kaitsmiseks seadme võimaliku rikke puhul.

Palun lugege enne lahtipakkimist, häälestamist või kasutamist läbi kogu käesolev juhend. Järgige kõiki ohutus- ja ettevaatusjuhiseid. Vastasel juhul võib kasutaja saada raskeid kehavigastusi või võib seade vigasta saada.

Tagage, et seadmega tarnitud ohutusseadised ei ole vigastatud. Ärge kasutage või paigaldage seadet mingil muul viisil kui käesolevas kasutusjuhendis kirjeldatud.

Ohutusteabe kasutamine

▲ OHT

Näitab potentsiaalselt või otseselt ohtlikku olukorda, mis selle mittevältimisel põhjustab surma või raskeid vigastusi.

▲ HOIATUS

Näitab potentsiaalselt või otseselt ohtlikku olukorda, mis selle mittevältimisel võib põhjustada surma või raskeid vigastusi.

▲ ETTEVAATUST





Näitab potentsiaalselt või otseselt ohtlikku olukorda, mis selle mittevältimisel võib põhjustada surma või raskeid vigastusi.

TEADE

Tähistab olukorda, mis selle mittevältimisel võib seadet kahjustada. Eriti tähtis teave.

Hoiatussildid

Lugege läbi kõik seadmele kinnitatud sildid ja märgised. Juhiste eiramise korral võite saada kehavigastusi või võib seade kahjustada saada. Mõõteriistal olevad sümbolid viitavad kasutusjuhendis esitatud ettevaatusabinõudele.

	See mõõteriistal olev sümbol viitab kasutusjuhendile ja/või ohutuseeskirjadele.
	See sümbol osutab elektrilõõgi ohule ja/või ohule elektrilõõgist surma saada.
	See sümbol näitab, et seadmed on tundlikud elektrostaatilise laengu (ESD) suhtes ja selle vastu tuleb seadmeid kaitsta.
	Selle sümboliga märgistatud elektriseadmeid ei tohi alates 12. augustist 2005. a. Euroopa riikides käidelda tavakäitlusviisidega. Vastavalt Euroopa Liidu ja liikmesriikide seadustega (EÜ direktiiv 2002/96/EÜ) peab Euroopa kasutaja saama tasuta tagastada vana või kasutatud seadme tootjale utiliseerimiseks.

Sertifikaadid

Kanada raadiohäireid põhjustavate seadmete määrus, IECS-003, klass A:

Tootja valduses on kinnitavad katseandmed.

See A-klassi digitaalseade vastab kõigile Kanada häireid põhjustavate seadmete määrmise nõuetele.

Cet appareil numérique de classe A répond à toutes les exigences de la réglementation canadienne sur les équipements provoquant des interférences.

FCC 15. osa, klassi "A" piirangud

Tootja valduses on kinnitavad katseandmed. See seade vastab FCC eeskirjade 15. osale.

Kasutamisele kehtivad järgmised tingimused:

1. Seade ei tohi põhjustada kahjulikke häireid.
2. Seade peab vastu võtma mistahes häired, sealhulgas häired, mis võivad põhjustada seadme töös tõrkeid.

Selle seadme muutused või täiendused, mis ei ole nõuetele vastavuse eest vastutava osapoole poolt heaks kiidetud, võivad tühistada kasutaja õiguse seadet kasutada. Seda seadet on testitud ning on leitud selle vastavus A-klassi digitaalseadmete piirangutele vastavalt FCC eeskirjade 15. osale. Need piirangud on loodud, et tagada mõistlik kaitse kahjulike häirete eest, kui seda seadet kasutatakse ärikeskkonnas. See seade toodab, kasutab ja võib kiirata raadiosageduslikku energiat ning kui seda ei paigaldata ja ei kasutata vastavalt kasutusjuhendile, võib see põhjustada raadioside häireid. Selle seadme kasutamine elamupiirkonnas põhjustab tõenäoliselt kahjulikke häireid. Sellisel juhul on kasutaja kohustatud häired omal kulul parandama. Häiretega seotud probleemide lahendamiseks võib kasutada järgmisi võtteid:

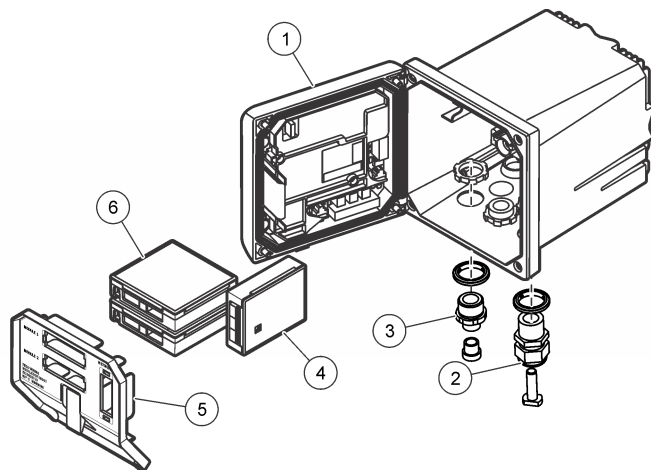
1. Lahutage seade toiteallikast, et kontrollida, kas seade on häirete põhjustajaks.
2. Kui seade on ühendatud samasse seinakontakti mõne muu häiritud seadmega, ühendage seade teise seinakontakti.
3. Liigutage seade teistest häiritud seadmetest eemale.
4. Paigutage häiritud seadme vastuvõtuantenn teise asendisse.
5. Proovige eelmiste võtete kombinatsioone.

Tootekirjeldus

Juhtpult kuvab anduri mõõtmistulemused ja muud andmed, on suuteline edastama analoog- ja digitaalsignaali ning saab väljundite ja releede abil vahetada andmeid teiste seadmetega ning neid juhtida. Väljundeid, releesid, andureid ja anduri mooduleid konfigureeritakse ja kalibreeritakse läbi kasutajaliidese juhtpulti esiküljel.

Joonis 1 näitab toote osiseid. Osised võivad vastavalt juhtpulti konfiguratsioonile erineda. Kui osised on kahjustatud või puudu, võtke ühendust tootjaga.

Joonis 1 Süsteemi osised



1 Juhtpult	4 Võrgumoodul (lisavarustuses)
2 Tõmbetõkise komplekt (lisavarustuses olenevalt juhtpulti versioonist)	5 Kõrgepingebarjäär
3 Digijühenduse seade (lisavarustuses olenevalt juhtpulti versioonist)	6 Anduri moodulid (lisavarustuses)

Andurid ja andurimoodulid

Juhtpult võtab vastu maksimaalselt kaks andurimoodulit või kaks digitaalandurit (olenevalt juhtpulti konfiguratsioonist) ning neile lisaks ühe kommunikatsioonimooduli. Ühiselt võib paigaldada ühe digitaalanduri ja ühe andurimooduli. Mitu andurit on võimalik ühendada anduri moodulitega. Anduri juhtmete teave on toodud konkreetsete andurite juhendites ja konkreetsete moodulite kasutusjuhendites.

Releed, väljundid ja signaalid

Juhtpuldil on neli konfigureeritavat releelülitit ja kaks analoogväljundit. Valikuline analoogväljundmoodul saab suurendada analoogväljundite arvu viiele.

Seadme skannimised

Kahe erandiga skannib juhtpult ühendatud seadmeid ilma kasutaja osaluseta automaatselt, kui see sisse lülitatakse. Esimene erand on olukord, kui juhtpult lülitatakse sisse esimest korda enne esmakordset kasutamist. Teine erand tekib pärast juhtpulti konfiguratsioonisätete vaikeväärtustele seadistamist ning juhtpulti sisselülitamist. Mõlemal juhul kuvab juhtpult kõigepealt keele, kuupäeva ja kellaaja muutmise menüüd. Pärast sisestatud keele, kuupäeva ja kellaaja aktsepteerimist skannib juhtpult seadet. Juhised selle kohta, kuidas skannida seadmeid, kui juhtpult on juba sisse lülitatud, leiata jaotisest [sc-digitaalanduri ühendamine](#) leheküljel 601

Juhtpuldi korpus

Juhtpuldi korpus on NEMA 4X/IP66-reitinguga ning sellel on korrosioonikindel viimistlus, mis on loodud taluma korrosiooni põhjustavaid keskkonnamõjusid, näiteks soola ja vesiniksulfiidi. Välistingimustes kasutamisel on kaitse keskkonnakahjustuste eest tungivalt soovitatav.

Märkus. Seadmed, mille on sertifitseerinud *Underwriters Laboratories (UL)*, on ette nähtud kasutamiseks ainult siseruumides ning neil ei ole NEMA 4X/IP66 reitingut.

Juhtpuldi paigaldamise variandid

Juhtpulti on võimalik paigaldada paneeli, seina või püst- või rõhttoru külge. Neopreentihend on seadmega kaasas ning seda võib kasutada vibratsiooni vähendamiseks. Tihendit võib kasutada mallina paneelile kinnitamisel enne sisemise tihendiosa eraldamist.

Paigaldamine

Paigaldatavad osised ja mõõtmed

▲ ETTEVAATUST

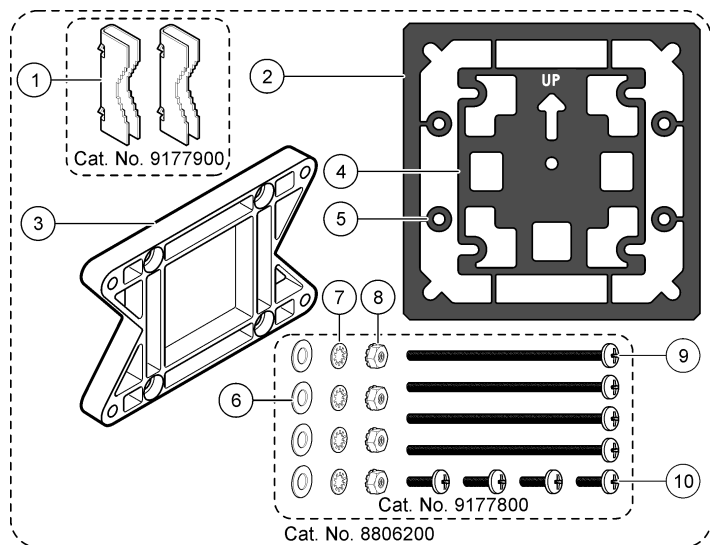
Kehavigastuse oht. Selles juhendi osas kirjeldatud toiminguid tohivad teha vaid pädevad töötajad.

Juhtimisplati saab paigaldada tasapinnale, paneelile või toru külge (horisontaalne või vertikaalne). Paigaldusvõimaluste ja -juhiste kohta teabe saamiseks vaadake [Joonis 2](#), [Joonis 3](#) leheküljel 589, [Joonis 4](#) leheküljel 590, [Joonis 5](#) leheküljel 591 ja [Joonis 6](#) leheküljel 592.

Rõhttorude külge paigaldamisel peavad kinnitusjalad ([Joonis 2](#)) olema paigaldatud kinnitusklambri külge püstasendis.

Nii rõht- kui püsttorude külge paigaldamise korral kinnitage kinnitusklamber juhtpuldi külge [Joonis 5](#) leheküljel 591 näidatud viisil.

Joonis 2 Kinnitusosised

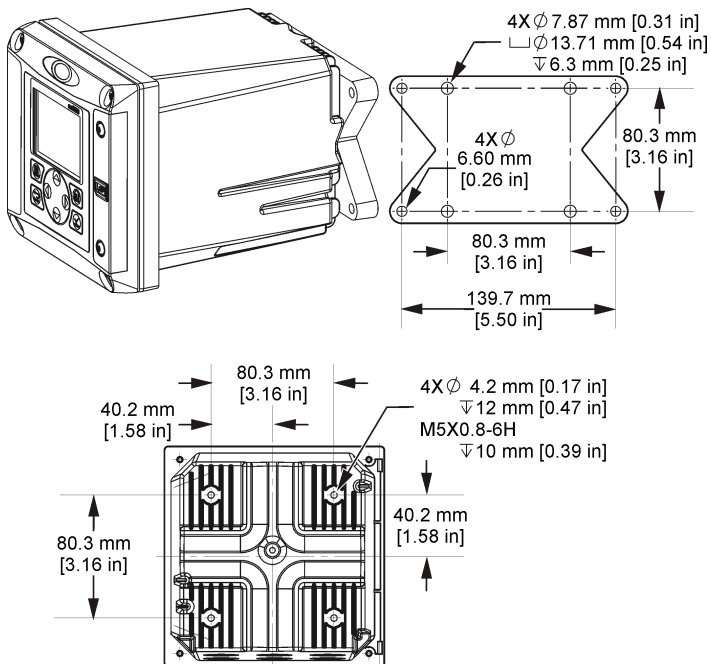


1 Kinnitusjalg (2x)	6 Lameseib, ¼-tolline ID (4x)
2 Paneelile kinnitamise tihend, neopreen	7 Lukustusseib, ¼-tolline ID (4x)
3 Klamber seina ja toru külge kinnitamiseks	8 M5 x 0,8 Keps-tüüpi kuusnurkmutter (4x)
4 Vibratsiooni isoleerimise tihend toru külge paigaldamiseks	9 Madalpeakruvid, M5 x 0,8 x 100 mm (4x) (kasutatakse erineva läbimõõduga torude külge paigaldamiseks)
5 Vibratsiooni isoleerimise seib toru külge paigaldamiseks (4x)	10 Madalpeakruvid, M5 x 0,8 x 15 mm (4x)

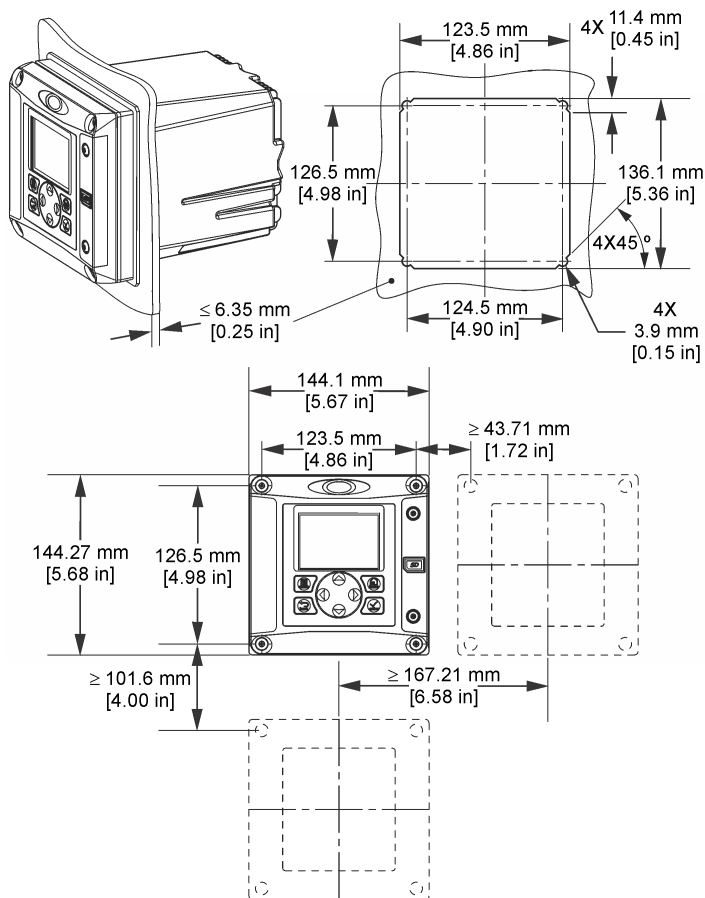
Märkus. Valikulisena on saadaval kronstein paneeli külge kinnitamiseks.

Juhtpuldi paigaldus

Joonis 3 Mõõtmed tasapinnale paigaldamisel

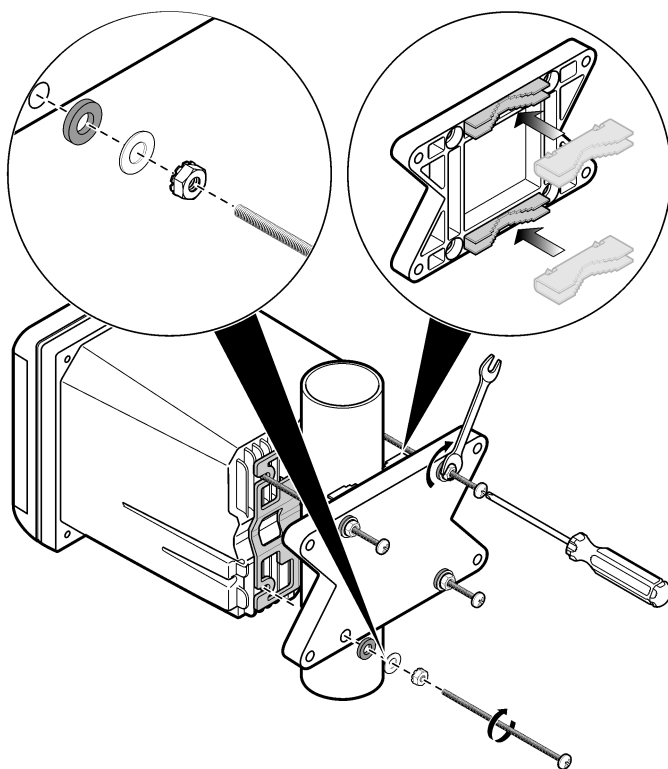


Joonis 4 Mõõtmed paneelile paigaldamisel

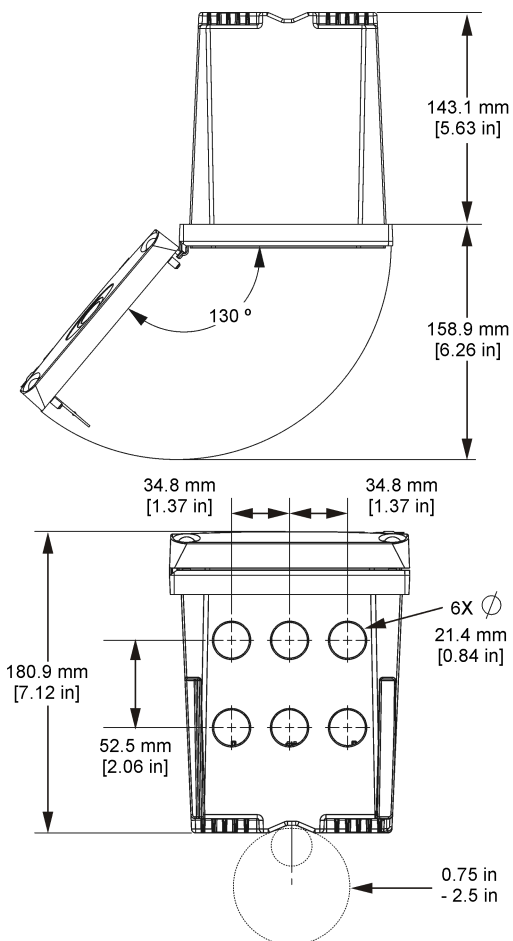


Märkus. Kui kasutate paneeli kinnitamiseks kronsteini (valikuline), lükake kontrollid läbi paneeli avause ja libistage kronstein kontrolleri paneeli tagaküljel. Kasutage 15 mm kruvisid (kuuluvad komplekti) ja kinnitage kronstein kontrolleri ja kontrollid paneeli külge.

Joonis 5 Toru külge paigaldamine (vertikaalne toru)



Joonis 6 Ülalt- ja altvaade



Kõrgepingebarjäär

Juhtpuldi kõrgepingejuhtmed asuvad juhtpuldi korpuse kõrgepingebarjääri taga. Barjäär peab alati kohale jääma, välja arvatud juhul, kui paigaldate mooduleid või kui kvalifitseeritud paigaldamistehnik paigaldab toite, alarmide, väljundite või releede juhtmeid. Ärge eemaldage barjääri, kui juhtpult on ühendatud vooluvõrku.

Elektrostaatilise lahenduse (ESD) märkused

TEADE



Võimalik seadme kahjustamise oht. Tundlikud elektroonilised siseosad võivad staatilise elektrilaengu mõjul vigastada saada, mis põhjustab talitlushäireid või mõõtmisvigu.

Elektrostaatilisest lahendusest seadmele põhjustatud kahjustuste vältimiseks järgige järgmisi juhiseid:

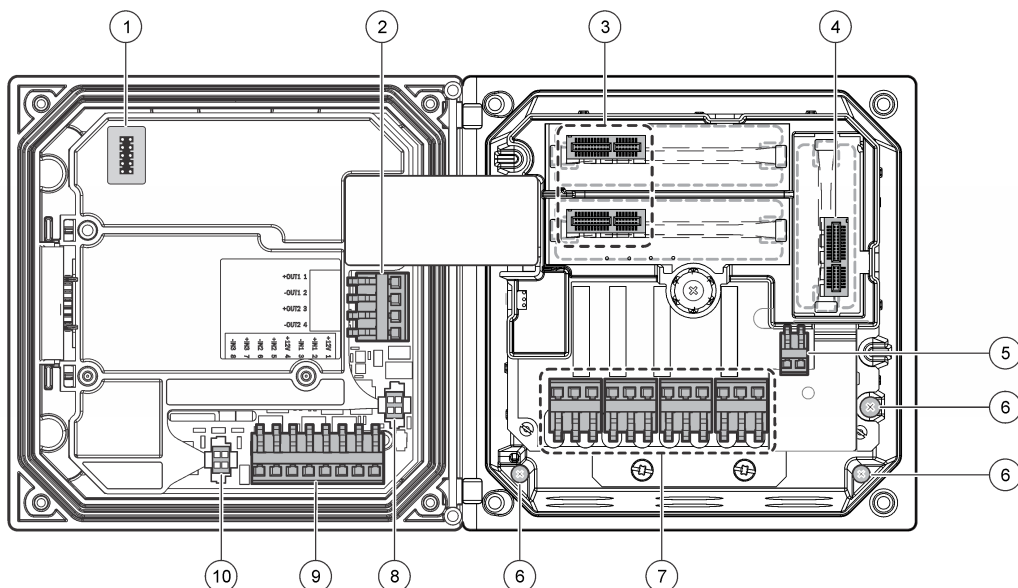
- Puudutage oma kehist staatilise elektri eemaldamiseks mõnd maandatud metallpinda, näiteks seadme kere, metallkarbikut või -toru.
- Vältige liigseid liigutusi. Transportige staatilise elektri suhtes tundlikke osi staatilise elektri vastastes mahutites või pakendites.
- Kandke randmepaela, mis on juhtme abil maaga ühendatud.
- Töötage vaid staatikavabas keskkonnas, kus on antistaatilised põrand- ja tööpingimatid.

Juhtmete ühendamise ülevaade

Joonis 7 näitab ülevaadet juhtmeühendustest juhtpuldi sisemuses, kui kõrgepingebarjäär on eemaldatud. Vasakpoolne joonis näitab juhtpuldi kaane tagumist külge.

Märkus. Eemaldage ühenduse korgid pistikute küljest enne, kui hakkate moodulit paigaldama.

Joonis 7 Juhtmeühenduste ülevaade



1 Hoolduskaabli ühendamise	5 Vahelduv- ja alalisvoolu pistik ¹	9 Diskreetse sisendi juhtmepistik ¹
2 4–20 mA väljund ¹	6 Maandusterminalid	10 Digitaalse anduri pistmik ¹
3 Anduri mooduli pistik	7 Releeühendused ¹	
4 Kommunikatsioonimooduli pistik (näiteks Modbus, Profibus, HART, valikuline 4–20 mA moodul jne).	8 Digitaalse anduri pistik ¹	

¹ Parema juurdepääsu eesmärgil võib terminalid eemaldada.

Toitejuhtmestik

▲ HOIATUS	
	Võimalik elektrilöögi oht. Elektrihendusi tehes ühendage seade alati vooluvõrgust välja.

⚠ HOIATUS



Võimalik elektrilöögi oht. Kui seadet kasutatakse välitingimustes või kohas, kus võib olla niiske, tuleb seadme toiteallikaga ühendamisel kasutada **maandusahela rikke kaitselüliti**.

⚠ OHT



Elektrilöögi oht. Äрге ühendage 24 VDC toitega mudelit vahelduvvooluvõrku.

⚠ HOIATUS



Võimalik elektrilöögi oht. Kaitsemaandusega (PE) peab olema varustatud nii 100–240 VAC kui ka 24 VDC ahel. Nõuetekohase kaitsemaanduse (PE) puudumine võib põhjustada elektrilöögiohtu ja elektromagnetilistest häiretest tingituna halvendada seadme tööd. Ühendage kontrolleri klemmile ALATI nõuetekohane kaitsemaandus (PE).

TEADE

Paigaldage seade sellisesse kohta ja asendisse, mis võimaldab seadme lahtiühendamiseks ja kasutamiseks piisava juurdepääsu.

Juhtpulti on võimalik osta kas 100–240 VAC toitega mudelina või 24 VDC toitega mudelina. Järgige ostetud mudelile vastavaid juhtmete paigaldusjuhiseid.

Juhtpulti juhtmeid on võimalik paigaldada liinitoiteks aparatuuriselt karbikusse või toitejuhtme abil varustamiseks. Hoolimata kasutatavast juhtmest tehakse ühendused samade terminalidega. Lokaalne lahutus, mis on vastab kohalikele elektrieskirjadele, on vajalik ning peab olema kõigi paigaldustüüpide jaoks äratuntav. Aparatuursete rakenduste puhul peavad seadme toite ja ohutusmaanduse sisestuskaabel olema 18 kuni 12 AWG.

Märkused.

- Enne elektriühenduste tegemist tuleb pinge barjäär eemaldada. Pärast kõigi ühenduste tegemist paigutage pinge barjäär enne juhtpulti kaane sulgemist kohale tagasi.
- Tihendi tüüpi tõmbetõkist ja vähem kui 3 meetri (10 jala) pikkust toitejuhet kolme 18 AWG juhiga (sh ohutuse maandusjuhet) tuleb kasutada NEMA 4X/IP66 keskkonnareitingu säilitamiseks.
- Juhtpulte on võimalik tellida eelnevalt paigaldatud vahelduvvoolu-toitejuhtmetega. Samuti on võimalik tellida lisatoitejuhtmeid.
- Alalisvooluallikas, mis varustab toitega 24 VDC toitega juhtpulti, peab säilitama pinge reguleerimise määratud piirides (24 VDC -15% +20%). Alalisvooluallikas peab samuti pakkuma piisavat kaitset pingemuhkude ja liinisiirete eest.

Juhtmete ühendamine

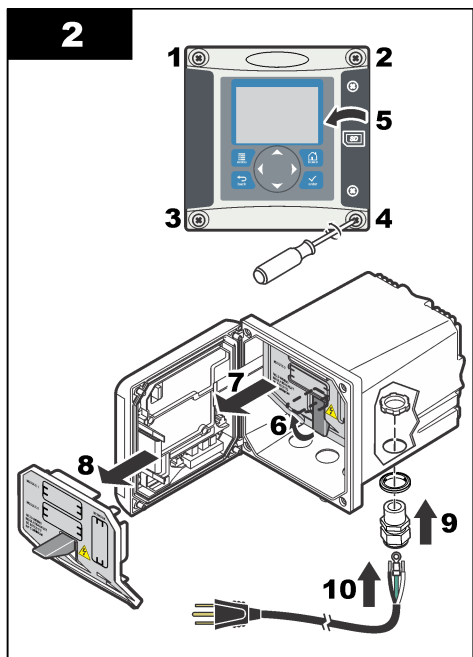
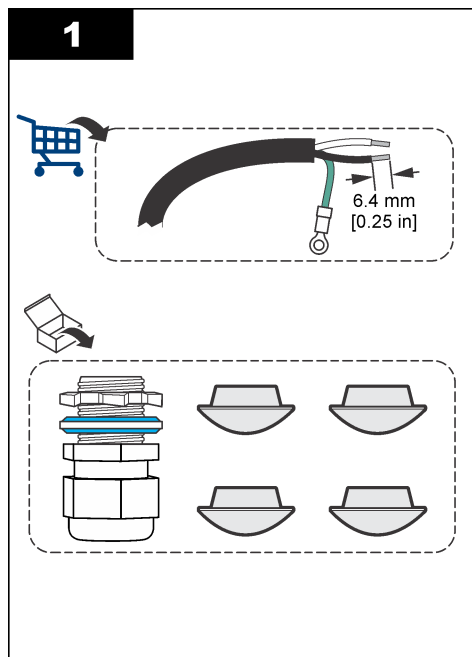
Juhtpulti voolujuhtmete ühendamisel aitavad teid järgmised illustreeritud juhiseid ning Tabel 1 või Tabel 2. Sisestage iga juhe sobilikku terminali, kuni isolatsioon jääb vastu pistikut ning lahtist juhtmeosa ei ole. Kindlas ühenduses veendumiseks sikutage juhet õrnalt pärast paigaldamist. Isoleerige kasutamata avaused juhtimiskarbis kaablikarbiku avauste tihendus pistikutega.

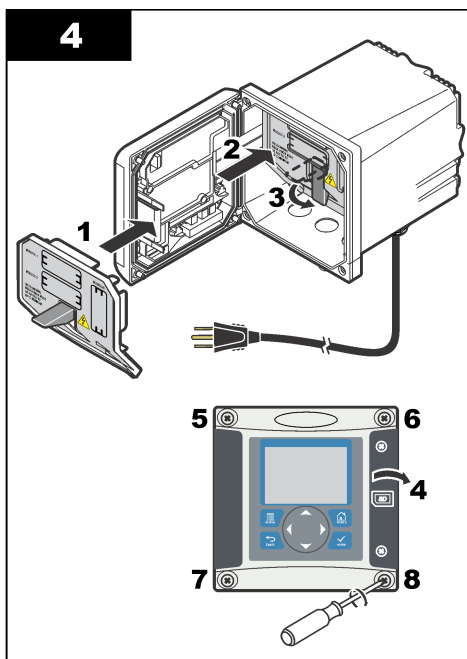
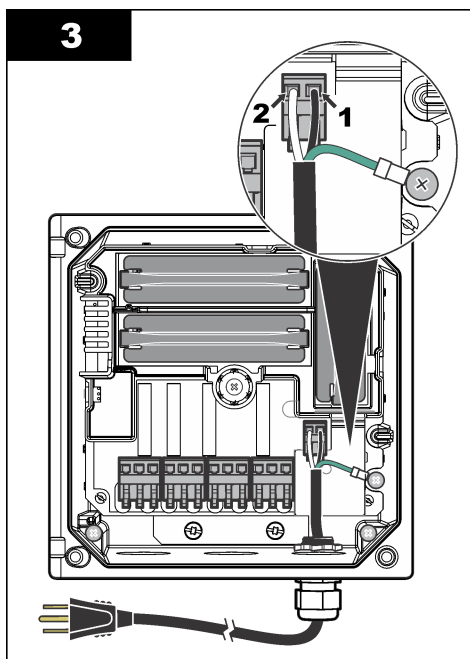
Tabel 1 Vahelduvvoolu toitejuhtmete ühendamise teave (ainult vahelduvvoolu-toitega mudelitel)

Terminal	Kirjeldus	Värvus – Põhja-Ameerika	Värvus – EL
1	Faas (L1)	Must	Pruun
2	Neutraalne (N)	Valge	Sinine
—	Kaitsemaanduse (PE) maanduseend	Roheline	Kollase triibuga roheline

Tabel 2 Alalisvoolu-juhtmete ühendamise teave (ainult alalisvoolu-toitega mudelitel)

Terminal	Kirjeldus	Värvus – Põhja-Ameerika	Värvus – EL
1	+24 V alalisvool	Punane	Punane
2	24 V alalisvoolu tagasivool	Must	Must
—	Kaitsemaanduse (PE) maanduseend	Roheline	Kollase triibuga roheline





Alarimid ja releed

Juhtpuldil on neli toiteta ühepooluselisi releed, mille nominaalalndmed on 100–250 VAC, 50/60 Hz, maksimaalne takistus 5 A. Kontaktide nominaalalndmed on 250 VAC, vahelduvvooluga juhtpuldil puhul maksimaalne takistus 5 A; ja 24 VDC, alalisvooluga juhtpuldil puhul maksimaalne takistus 5 A. Releede nominaalväärtused ei kehti induktiivkoormustele.

Juhtmete releed

▲ HOIATUS	
	Võimalik elektrilöögi oht. Elektrihüendusit tehes ühendage seade alati vooluvõrgust välja.
▲ HOIATUS	
	Võimalik tulekahju oht. Relee kontaktide lubatava voolutugevuse nimiväärtus on 5 A ja neil ei ole sulavkaitset. Releedega ühendatud välistel koormustel peavad olema kaitseseadmed piiranguga < 5 A.
▲ HOIATUS	
	Võimalik tulekahju oht. Ärge ühendage pürgühendusega ühiseid releehüendusit ega vahejuhet võrgutoite ühendusest seadme sisemuses.
▲ HOIATUS	
	Võimalik elektrilöögi oht. Korpuse NEMA/IP kaitseklassi säilitamiseks kasutage kaablite seadmesse sisestamiseks ainult kaablikaitsekatteid ja läbiviikuseid, mille kaitseklass on vähemalt NEMA 4X/IP66.

Vahelduvvoolu liinitoitega (100–250 V) juhtpuldid

Juhtmete pesa ei ole kavandatud pingeühendusteks, mis ületavad 250 VAC.

24 VDC toitega juhtpuldid

▲ HOIATUS



Võimalik elektrilöögi oht. Vahelduvvoolutoitega juhtpuldid (115 V – 230 V) on kavandatud vahelduvvooluvõrkudega releühenduseks (s.o pingetel üle 16 V-RMS, 22,6 V-PEAK või 35 VDC).

▲ HOIATUS



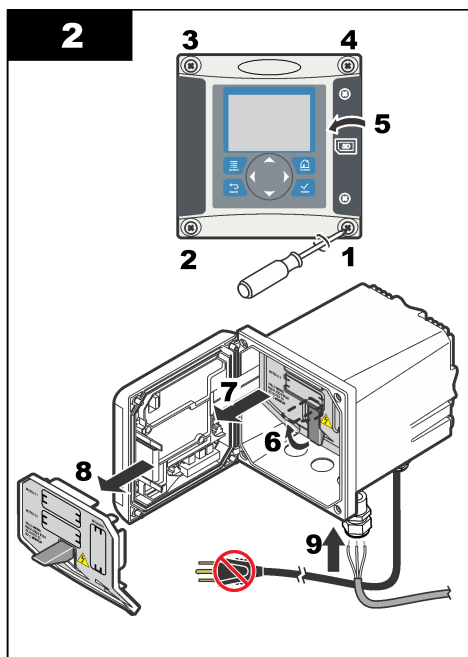
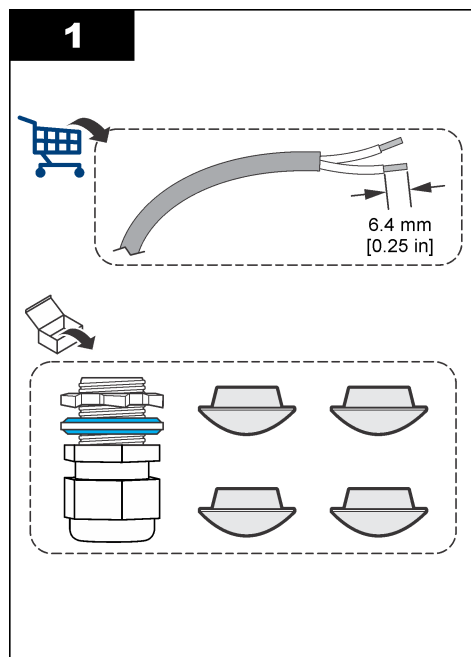
Võimalik elektrilöögi oht. 24 V juhtpuldid on kavandatud madala pingega vooluringidega releühenduseks (s.o pingetel alla 16 V-RMS, 22,6 V-PEAK või 35 VDC).

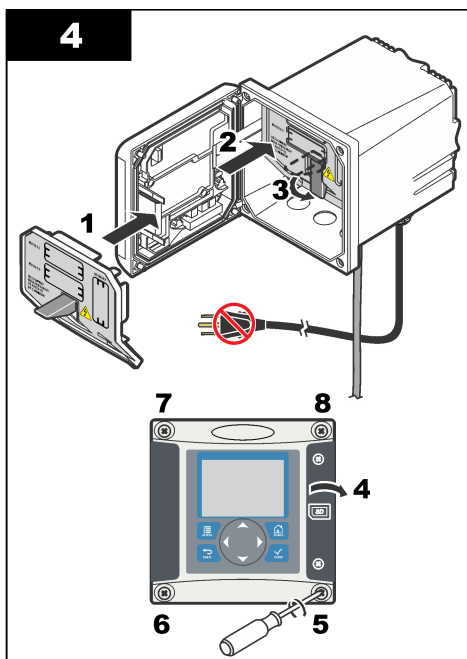
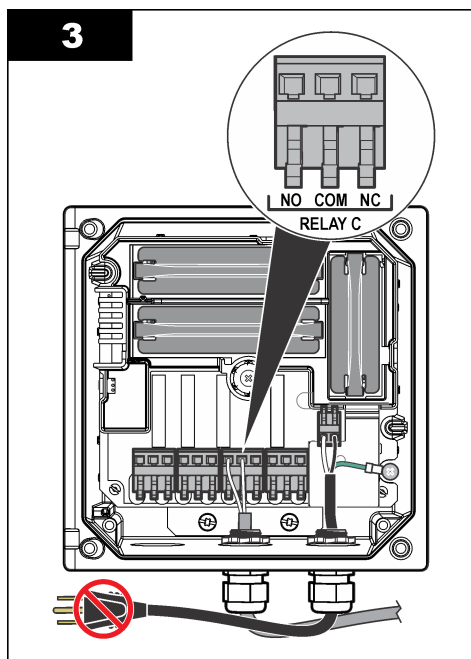
24 VDC toitega juhtpultide releed on kavandatud madala pingega vooluringidega ühendamiseks (s.o pingetega, mis jäävad alla 30 V-RMS, 42,2 V-PEAK või 60 VDC). Juhtmete pesa ei ole kavandatud nendest tasemetest kõrgemate pingetega ühenduste jaoks.

Releühendusele sobib 18–12 AWG juhe (vastavalt koormuse rakendusele). Soovitatav juhtmemõõt on jämedam kui 18 AWG.

Tavaliselt avatud (NO) ja üldised (COM) releühendused ühendatakse kõik aktiivse alarmi või mõne muu tingimuse korral. Tavaliselt suletud (NC) ja üldised releühendused ühendatakse, kui alarm või muu tingimus ei ole aktiivne (välja arvatud juhul, kui Fail Safe (Tõrke parandus) on olekus Yes (Jah)) või kui juhtpult on toitest lahutatud.

Enamik releühendusi kasutab kas NO- ja COM-terminale või NC- ja COM-terminale. Nummerdatud paigaldamistoimingud selgitavad NO- ja COM-terminalide ühendamist.





Analoog-väljundühendused

⚠ HOIATUS



Võimalik elektrilöögi oht. Elektrihendusi tehes ühendage seade alati vooluvõrgust välja.

⚠ HOIATUS



Võimalik elektrilöögi oht. Korpuse NEMA/IP kaitseklassi säilitamiseks kasutage kaablite seadmesse sisestamiseks ainult kaablikaitsekatteid ja läbiviikuseid, mille kaitseklass on vähemalt NEMA 4X/IP66.

Seadmel on kaks isoleeritud analoogväljundit (1 ja 2) (Joonis 8). Neid väljundeid kasutatakse üldjuhul analoogsignaali edastamiseks või muude väliste seadmete juhtimiseks.

Ühendage juhtmed juhtpuldiga vastavalt Joonis 8 ja Tabel 3 näidatule.

Märkus. Joonis 8 näitab juhtpuldil kaane tagaosa, mitte peamise juhtpuldil pesa sisemust.

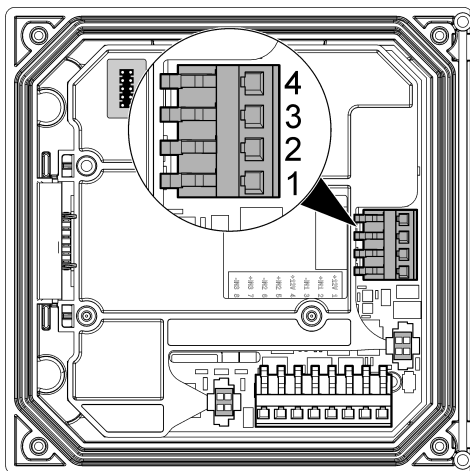
Tabel 3 Väljundühendused

Salvesti juhtmed	Vooluringi plaadi asukoht
Väljund 2-	4
Väljund 2+	3
Väljund 1-	2
Väljund 1+	1

1. Avage juhtpuldil kaas.
2. Suunake juhtmed läbi tõmbetõkise.
3. Reguleerige juhete vastavalt vajadusele ja kinnitage tõmbetõkist.

4. Looge ühendused varjega bifilaarkaabluga ning ühendage varjestus juhitava komponendi otsas või silmuse juhtimise otsas.
 - Ärge ühendage varjestust kaabli mõlemas otsas.
 - Varjestamata kaabli kasutamise tulemuseks võivad olla raadiosageduse emissioon või lubatust kõrgem häiringutundlikkus.
 - Silmuse maksimaalne takistus on 500 oomi.
5. Sulgege juhtpuldi kaas ja kinnitage kaane kruvid.
6. Seadistage juhtpuldi väljundid.

Joonis 8 Analoogväljundite ühendused



Diskreetse sisendi juhtmeühendused

▲ HOIATUS



Võimalik elektrilöögi oht. Elektriühendusi tehakse ühendades seade alati vooluvõrgust välja.

▲ HOIATUS

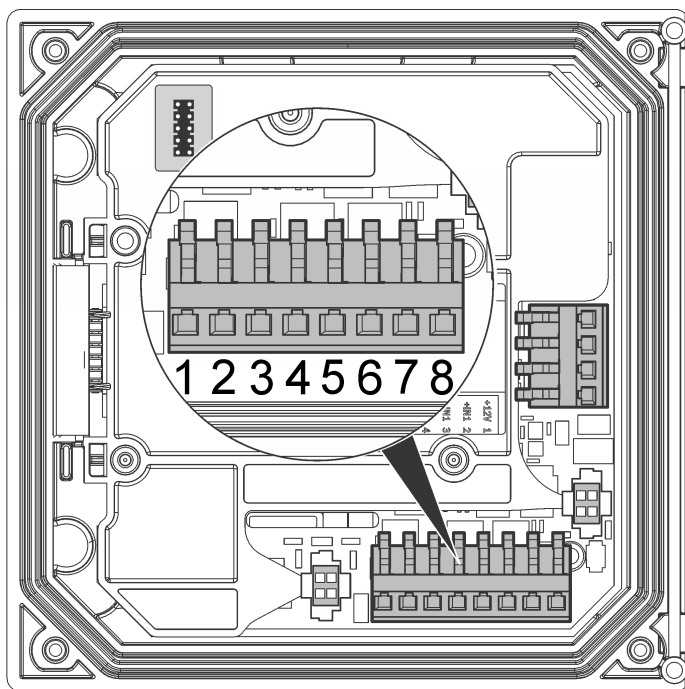


Võimalik elektrilöögi oht. Korpuse NEMA/IP kaitseklassi säilitamiseks kasutage kaablite seadmesse sisestamiseks ainult kaablikaitsekatteid ja läbiviikuseid, mille kaitseklass on vähemalt NEMA 4X/IP66.

Lüliti sulgumissisenditele või loogikataseme sisendipinge jaoks on kolm diskreetset sisendit. Ühendage juhtmed ja konfigureerige kontrolleri ühenduslooga sättes, nagu näidatud kohtades [Joonis 9](#), [Tabel 4](#) ja [Joonis 10](#).

Märkus. [Joonis 9](#) näitab juhtpuldi kaane tagaosa, mitte peamise juhtpuldi pesa sisemust.

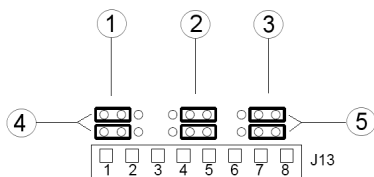
Joonis 9 Diskreetse sisendi juhtmeühendused



Tabel 4 Sisendühendused

Diskreetseid sisendid	Konnektori asend - lüliti sisend	Konnektori asend - pingesisend
Sisend 1+	3	2
Sisend 1-	2	3
Sisend 2+	6	5
Sisend 2-	5	6
Sisend 3+	8	7
Sisend 3-	7	8

Joonis 10 Ühenduslooga sätted



1 Sisendi 1 konfiguratsiooni ühendusloogad	4 Ühendusloogad on lülitatud sisendite jaoks vasakule paigutatud
2 Sisendi 2 konfiguratsiooni ühendusloogad	5 Ühendusloogad on pingesisendite jaoks paremale paigutatud
3 Sisendi 3 konfiguratsiooni ühendusloogad	

1. Avage juhtpulti kaas.
2. Söötke juhtmed läbi läbiviigutihendi.
3. Reguleerige juhet vastavalt vajadusele ja pingutage läbiviigutihend.
4. Ühendusloogad paiknevad kohe konnektori taga. Ühenduslookadele ligipääsemise hõlbustamiseks eemaldage konnektor ja seadistage ühendusloogad vastavalt sisendi tüübile, nagu näidatud [Joonis 10](#).
5. Sulgege juhtpulti kaas ja kinnitage kaane kruvid.
6. Konfigureerige kontrolleri sisendid.

Märkus. Lülitatud sisendi režiimis varustab kontrolleri lüliti 12-voldise pingega ja see pole kontrolleri eraldatud. Pingesisendi režiimis on sisendid kontrolleri eraldatud (kasutaja sisendpinge vahemik on 0 kuni 30 volti).

sc-digitaalanduri ühendamise

Märkus. sc-analooganduri ühendamiseks vaadake mooduliga kaasas olevaid juhiseid või anduri juhendit.

sc-digitaalandurit on võimalik juhtpuldiga ühendada võtmega kiirühenduse paigaldise abil ([Joonis 11](#)). Digitaalandurit on võimalik ühendada sisselülitatud või väljalülitatud juhtpuldiga.

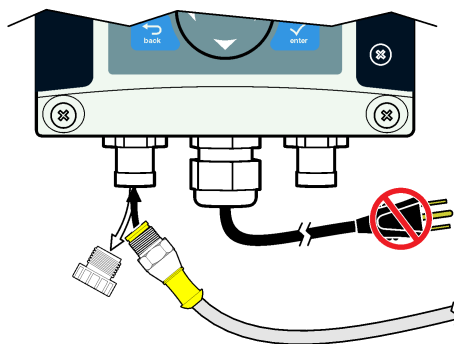
Kui andur ühendatakse sisselülitatud juhtpuldiga, siis ei skanni juhtpult seadet automaatselt. Automaatseks skannimiseks juhtpulti kaudu liikuge menüüsse Test/Maintenance (Test/hooldus) ja valige Scan Devices (Seadmete skannimine). Kui leitakse uus seade, viib juhtpult installimise edasiste kasutaja toiminguteta lõpule.

Kui andur ühendatakse väljalülitatud juhtpuldiga, skannitakse seadet juhtpulti sisselülitamise ajal. Kui leitakse uus seade, viib juhtpult installimise edasiste kasutaja toiminguteta lõpule.

Hoidke liitmiku kork alles, et anduri eemaldamisel oleks võimalik liitmiku ava sulgeda.

Joonis 11 Digitaalse anduri kiire ühendamine

1.



Lisavarustusse kuuluva digitaalse kommunikatsiooniväljundi ühendamine

Tootja toetab kommunikatsiooniprotokolle Modbus RS485, Modbus RS232, Profibus DPV1 ja HART. Lisavarustusse kuuluv digitaalne väljundmoodul installitakse [Joonis 7](#) leheküljel 593 punktis 4 näidatud asukohta. Täpsema teabe saamiseks vaadake võrgumooduliga kaasas olevaid juhiseid.

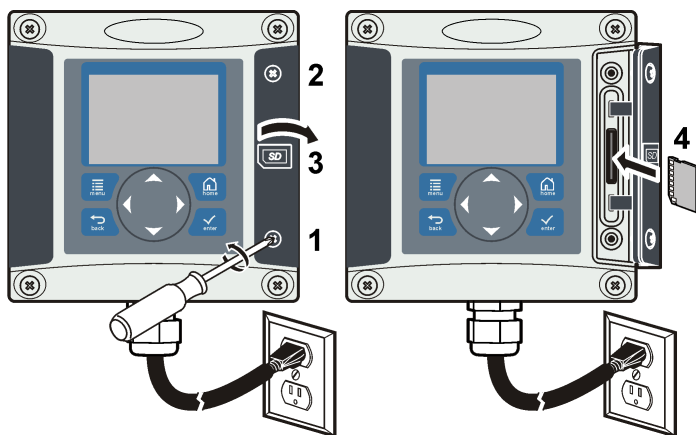
Teabe saamiseks Modbusi registrite kohta avage <http://www.hach-lange.com> või <http://www.hach.com> ja otsige märksõna *Modbus registers* (Modbusi registrid) või kasutage mis tahes sc200 tootelehte.

Secure Digital (SD) mälukaardi paigaldamine

Juhised SD-kaardi juhtpuldil paigaldamise kohta leiate osast [Joonis 12](#) Teabe SD-mälukaardi kasutamise kohta leiate selle juhendi täiendatud versioonist.

SD-kaardi eemaldamiseks vajutage kaardi serv alla, laske see lahti ning tõmmake kaart seejärel üles ja pesast välja. Pärast kaardi eemaldamist sulgege pesa kaas ning kinnitage kaane kruvid.

Joonis 12 SD-kaardi paigaldamine

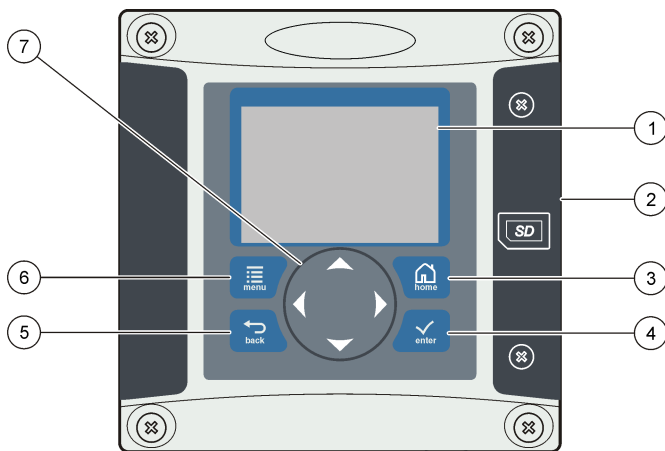


Kasutajaliides ja navigeerimine

Kasutajaliides

Klaviatuuril on neli menüüklahvi ja neli nooleklahvi vastavalt [Joonis 13](#) näidatule.

Joonis 13 Klaviatuuri ja esipaneeli ülevaade



1 Näidikupaneel	5 Klahv BACK (TAGASI) . Selle klahvi abil saate liikuda menüüstruktuuris ühe koha võrra tagasi.
2 Secure Digital mälukaardi pesa	6 Klahv MENU (MENÜÜ) . Selle klahvi abil saate liikuda muudest menüüdest ja allmenüüdest menüüsse Settings (Sätted).
3 Klahv HOME (KODU) . Selle klahvi abil saate liikuda muudest menüüdest ja allmenüüdest menüüsse Main Measurement (Mõõtmise peamenüü).	7 Nooleklahvid. Neid kasutatakse menüüdes liikumiseks, sätete muutmiseks ja numbrite suurendamiseks ja vähendamiseks.
4 Sisestusklahv ENTER (SISESTA) . Selle klahvi abil saate kinnitada sisendväärtused, värskendused või kuvatud menüükäskud.	

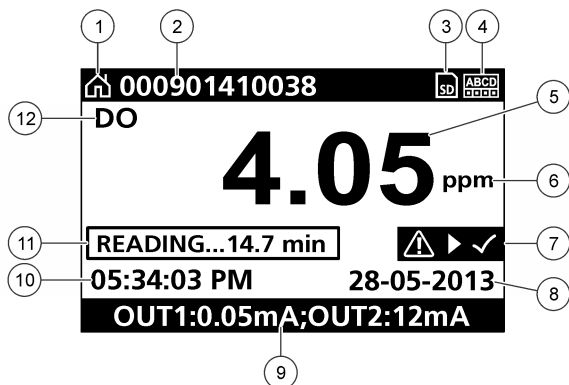
Sisendid ja väljundid seadistatakse ja konfigureeritakse esipaneelil oleva klaviatuuri ja näidikupaneeli abil. Seda kasutajaliidest kasutatakse sisendite ja väljundite seadistamiseks ja konfigureerimiseks, logi teabe ja arvatatud väärtuste loomiseks ja andurite kalibreerimiseks. SD-liidest on võimalik kasutada logide salvestamiseks ja tarkvara värskendamiseks.

Näidikupaneel

[Joonis 14](#) näitab mõõtmise peamenüü näidist, kui DO-andur on juhtpuldiga ühendatud.

Näidikupaneelil kuvatakse anduri mõõtmisandmed, kalibreerimise ja konfiguratsiooni sätted, tõrked, hoiatused ja muu teave.

Joonis 14 Menüü Main Measurement (Mõõtmise peamenüü) näide



1 Kuva Home (Kodu) ikoon	7 Hoiatuse olekuriba
2 Anduri nimi	8 Kuupäev
3 SD-mälukaardi ikoon	9 Analoogväljundi väärtused
4 Relee oleku märgutuli	10 Kellaaeg
5 Mõõtmisväärtus	11 Edenemisriba
6 Mõõtmisüksus	12 Mõõtmise parameeter

Tabel 5 Ikonide kirjeldused

Ikoon	Kirjeldus
Kuva Home (Kodu)	Ikoon võib kuvast või menüüst olenevalt erineda. Näiteks SD-kaardi paigaldamise korral ilmub siia SD-kaardi menüü, kui kasutaja on menüüs SD Card Setup (SD-kaardi seadistus).
SD-mälukaart	Seda ikooni kuvatakse juhul, kui SD-kaart on kaardilugeja pesas Kui kasutaja on menüüs SD Card Setup (SD-kaardi seadistus), ilmub see ikoon ülemisse vasakpoolsesse nurka.
Hoiatus	Hoiatuse ikoon koosneb kolmnurga sees olevast hüüumärgist. Hoiatusikoonid ilmuvad põhiekraani paremasse serva, mõõtmisväärtuse alla. Vajutage SISESTUSKLAHVI , seejärel valige seade, et vaadata selle seadmega seonduvaid probleeme. Kui kõik probleemid on lahendatud või kinnitatud, hoiatusikoon kaob.
Tõrge	Tõrke ikoon koosneb ringi sees olevast hüüumärgist. Tõrke tekkimisel jäävad tõrke ikoon ja mõõtmisekraan põhiekraanil vilkuma. Tõrgete vaatamiseks vajutage MENÜÜNUPPU ja valige Diagnostics (Diagnostika). Seejärel valige seade, et vaadata selle seadmega seonduvaid probleeme.

Täiendavad kuvamisvormingud

- Mõõtmisparameetrite vahetamiseks vajutage Põhimõõtmiste ekraanil **ÜLES-** ja **ALLANOOLENUPPE**
- Kuni nelja mõõtmisparameetri akna kuvamiseks vajutage Põhimõõtmiste ekraanil **PAREMNOOLENUPPU**. Täiendavata mõõtmiste kaasamiseks vajutage **PAREMNOOLENUPPU**. Põhimõõtmiste ekraanile naasmiseks vajutage **VASAKNOOLENUPPU**
- Graafikakuvale lülitumiseks vajutage Põhimõõtmiste ekraanil **VASAKNOOLENUPPU** (parameetrite määramise kohta vaadake [Graafiline kuva](#) leheküljel 604). Mõõtmisgraafikute vahetamiseks vajutage **ÜLES-** ja **ALLANOOLENUPPE**

Graafiline kuva

Graafikul näidatakse iga kasutatava kanali kontsentratsiooni temperatuuri mõõtmistulemust. Graafik võimaldab tööprotsessi suundade ja muudatuste lihtsat järgimist.

1. Kasutage graafilisel kuval üles- ja allanoolenuppe, valige graafik ning vajutage **AVAEKRAANI** nuppu.
2. Tehke valik:

Valik	Kirjeldus
MEASUREMENT VALUE (Mõõtmisväärtus)	Seadistage valitud kanali mõõtmisväärtus. Valige Auto Scale (Automaatskaala) või Manually Scale (Käsiskaala). Käsiitsi skaleerimiseks sisestage minimaalne ja maksimaalne mõõtmisväärtus
DATE & TIME RANGE (Kuupäeva ja kellaaaja vahemik)	Valige suvandite seast kuupäeva ja kellaaaja vahemik

Süsteemi käivitamine

Kui süsteem esmakordselt käivitatakse, ilmuvad menüüd Language (Keel), Date Format (Kuupäeva vorming) ja Date/Time (Kuupäev/kellaaeg) selles järjekorras. Pärast nende valikute tegemist skannib juhtpult seadet ja kuvab teate **Scanning for devices (Seadmete skannimine). Please wait... (Palun oodake ...)** Kui leitakse uus seade, viib juhtpult enne mõõtmise peamenüü kuvamist läbi installimise.

Kui skannimise käigus leitakse konfiguratsiooni muudatusteta varem installitud seadmeid, ilmub esimese koha mõõtmise peamenüü kohe pärast skannimise lõppu.

Kui seade on juhtpuldil küljest eemaldatud või seda järgmise toitetsükli või menüüpõhise skannimise ajal ei leita, kuvatakse juhtpuldil teade **Device missing** (Seade on puudu) ning esitatakse päring puuduva seadme kustutamiseks.

Kui paigaldatud analoogmooduliga ei ole andurit ühendatud, näitab juhtpult tõrke olemasolu. Kui seadmed on ühendatud, aga juhtpult ei leia neid üles, vaadake osa [Veotsing](#) leheküljel 607.

Keele, kuupäeva ja kellaaaja esmakordne määramine

Juhtpult kuvab keele, kuupäeva ja kellaaaja muutmise menüüd, kui see esimest korda või pärast konfiguratsioonisätete vaikeväärtustele seadmist sisse lülitatakse.

Päraste keele, kuupäeva ja kellaaaja valikute esmakordset määramist saate valikuid vastavalt vajadusele värskendada menüü sc200 Setup (sc200 seadistus) abil.

1. Märkige menüüs Language (Keel) variantide loendist keel ning vajutage klahvi **ENTER (SISESTA)**. Juhtpuldil vaikekeel on inglise keel. Valitud keel salvestatakse. Ilmub menüü Date Format (Kuupäeva vorming).
2. Valige menüüs Date Format (Kuupäeva vorming) vorming ning vajutage klahvi **ENTER (SISESTA)**. Kuupäeva ja kellaaaja vorming salvestatakse. Seejärel ilmub menüü Date/Time (Kuupäev/kellaaeg).
3. Vajutage menüüs Date/Time (Kuupäev/kellaaeg) noolenuppe **RIGHT (PAREMALE)** või **LEFT (VASAKULE)** välja märkimiseks ning vajutage seejärel noolenuppe **UP (ÜLES)** ja **DOWN (ALLA)** väljas oleva väärtuse uuendamiseks. Uuendage vastavalt vajadusele muid väljasid.
4. Vajutage klahvi **ENTER (SISESTA)**. Muudatused salvestatakse ja juhtpult teeb seadmete käivitusskannimise. Kui ühendatud seadmed leitakse, kuvab juhtpult mõõtmise peamenüü selle seadme kohta, mis asub esimeses asukohas. Kui juhtpult ühendatud seadmeid ei leia, vaadake [Veotsing](#) leheküljel 607.

Juhtpuldil konfiguratsiooniteave

Tabelis on loetletud konfiguratsioonivariantide üldine teave.

1. Menüüst Settings (Sätted) menüüvalikutesse liikumiseks valige sc200 Setup (sc200 seadistus).

Suvand	Kirjeldus
Security setup (Turvaseadistus)	Määrab pääsukoodi eelistused.

Suvand	Kirjeldus
Output setup (Väljundi seadistus)	Konfigureerib juhtpulti analoogväljundeid
Relay setup (Relee seadistus)	Konfigureerib juhtpulti releesid
Kuva seadistamine	Konfigureerib kontrolleri ekraani
Set Date/Time (Kuupäeva/kellaaja määramine)	Määrab juhtpulti kuupäeva ja kellaaja
Datalog setup (Andmelogi seadistus)	Konfigureerib andmete logimise variandid. Kasutatav, kui Calculation (Arvutamine) on seadistatud.
Andmete haldamine	Valige installitud komponentide loendist seade, et vaadata andme- või sündmuselogi
Error Hold Mode (Tõrke peatamise režiim)	Hold Outputs (Väljundite peatamine) — Peatab väljundid viimase teadaoleva väärtuse juures, kui juhtpult kaotab side anduriga. Transfer Outputs (Väljundite ülekande) — Lülitub ülekanderežiimi, kui juhtpult kaotab side anduriga. Väljastab ülekande eelnevalt määratud väärtusele.
Calculation (Arvutamine)	Konfigureerib kontrolleri matemaatikafunktsiooni
sc200 Information (sc200 teave)	S/W VER: — kuvab kontrolleri tarkvara praeguse versiooni Bootloader VER (Buudilaaduri VER): — Kuvab praeguse buudilaaduri versiooni. Buudilaadur on fail, mis laadib kontrolleri peamise operatsioonisüsteemi S/N: — kuvab kontrolleri seerianumbri Version: — kuvab kontrolleri riistvara praeguse versiooni
Discrete Input Setup (Diskreetse sisendi seadistus)	Konfigureerib kolm diskreetset sisendkanalit
Keel	Määrab juhtpuldil kasutatava keele

2. Tehke valik ja vajutage menüüelemendi aktiveerimiseks **ENTER (SISESTA)**.

Hooldus

⚠ ETTEVAATUST



Erinevad ohud. Selles dokumendi osas kirjeldatud toiminguid tohivad teha vaid pädevad töötajad.

Juhtpulti puhastamine

⚠ OHT



Enne hooldustööde teostamist tuleb juhtpult toiteallikast lahutada.

Märkus. Ühegi juhtpulti osa puhastamiseks ei tohi kasutada tuleohtlikke või söövitavaid lahusteid. Seesuguste lahustite kasutamine võib vähendada seadme vastupanu keskkonnatingimustele ja muuta garantii kehtetuks.

1. Veenduge, et juhtpulti kate on korralikult suletud.
2. Pühkige juhtpulti välispinda lapiga, mida on niisutatud vee või vee ja õrnatoimelise pesuaine seguga.

Veaotsing

Probleem	Eraldusvõime
Väljundit hetkel pole	Kontrollige praegust väljundi konfiguratsiooni.
	Testige praegust väljundsignaali allmenüü Test/Maintenance (Test/hooldus) abil. Sisestage praegune väärtus ja kontrollige väljundsignaali juhtpulti ühenduste juures.
	Võtke ühendust tehnilise toega.
Vale praegune väljund	Kontrollige praegust väljundi konfiguratsiooni.
	Katsetage praegust väljundsignaali allmenüü Test/Maintenance (Test/hooldus) abil. Sisestage praegune väärtus ja kontrollige väljundsignaali juhtpulti ühenduste juures. Kui väljund on vale, siis kalibreerige väljundit.
Relee ei aktiveeru	Veenduge, et relee ühendused on kindlad.
	Kui kasutate välist toiteallikat, siis veenduge, et relee juhtmed on õigesti ühendatud.
	Veenduge, et relee konfiguratsioon on õige.
	Katsetage relee aktiveerumist menüü Test/Maintenance (Test/hooldus) abil. Relee peab vastavalt valitule pingestuma ja pingest vabanema.
	Veenduge, et juhtpult ei ole kalibreerimisrežiimis ja et releed ei hoita kinni.
	Lähtestage Overfeed Timer (Ülesöötmise taimer), et veenduda, et taimer ei ole möödunud.
Juhtpult ei tunne Secure Digital Memory (SD) kaarti ära	Veenduge, et SD-kaart on sisestatud õiget pidi. Vaskosad peaksid olema suunatud juhtpulti näidikupaneeli poole.
	Veenduge, et SD-kaart on korralikult pessa sisestatud ja et vedrulukk on aktiveeritud.
	Veenduge, et SD-kaart on Fat 32 süsteemis korralikult vormindatud. MMC-süsteemis vormindamist ei toetata. Järgige SD-kaardi arvutis vormindades kaardi tootja juhiseid.
	Veenduge, et kaart pole suurem kui 32 GB.
	Veenduge, et kasutatakse SD-kaarti. Muud tüüpi kaardid (näiteks xSD, mikro-SD, mini-SD) ei tööta korralikult.
Teavet ei salvestata korralikult SD-kaardile või ei salvestata üldse	Veenduge, et SD-kaart on Fat 32 süsteemis korralikult vormindatud. MMC-süsteemis vormindamist ei toetata. Järgige SD-kaardi arvutis vormindamiseks kaardi tootja juhiseid.
	Kui SD-kaarti on varem kasutatud, vormindage kaart Fat 32 süsteemis, paigaldage kaart juhtpulti ja proovige faile alla laadida.
	Proovige teist SD-kaarti.
SD-kaart on täis	Lugege SD-kaarti arvuti või mõne muu kaardilugemisseadmega. Salvestage olulised failid ning kustutage seejärel kas mõned või kõik SD-kaardile salvestatud failid.

Probleem	Eraldusvõime
Juhtpult ei leia SD-kaardi tarkvaravärskendusi	Paigaldage juhtpulti SD-kaart, et kontrollida, kas on loodud sobilik kaust. Värskenduskaust luuakse automaatselt.
	Paigaldage SD-kaart arvutisse ja veenduge, et tarkvarafailid asuvad sobivas värskenduskaustas.
	Kui sama SD-kaarti kasutatakse mitme juhtpuldiga, siis on igal juhtpuldil süsteemis eraldi kaust. Veenduge, et tarkvarauuendused on kasutatava juhtpuldiga seotud kaustas.
Näidikupaneel on valgustatud, aga seal ei kuvata märke või märgid on tuhmid või udused	Näidikupaneeli kontrastsuse reguleerimine.
	Veenduge, et näidikupaneelilt on eemaldatud kaitsekile.
	Puhastage juhtpulti välispinda, sealhulgas näidikupaneeli.
Juhtpult ei käivitu või lülitub hüppeliselt sisse ja välja	Veenduge, et vahelduvvoolu toiteühendused on juhtpuldiga korralikult loodud.
	Veenduge, et toitejuhe, kaablitoide ja seinapistik on kõik korralikult sisestatud.
	Võtke ühendust tehnilise toega
Võrgu või anduri moodulit ei tunta ära	Veenduge, et moodul on korralikult paigaldatud.
	Veenduge, et mooduli valikulüliti on määratud õigele numbrile.
	Eemaldage anduri moodul ja paigaldage moodul teise analoogpessa. Varustage juhtpult toitega ja võimaldage juhtpuldil teha seadme skannimine.
	Võtke ühendust tehnilise toega.
Andurit ei tunta ära Märkus. Näidikupaneeli võimaliku teate näide: ****	Kui andur on analoogandur ja vastav moodul paigaldatakse juhtpulti, vaadake võrgu või anduri mooduliga kaasas olevaid juhiseid.
	Veenduge, et digitaalset juhtpulti juhtmete kinnitus asub komplekti ukse sisemisel küljel ning et juhtmete kinnitus ei ole kahjustatud.
	Kui digitaalne andur on ühendatud juhtpuldiga, millel on digitaalne klemmiidese karp, kasutaja varustatud harukarp, digitaalsed pikenduskaablid või kasutaja varustatud pikenduskaabel, siis ühendage andur otse juhtpuldiga ja skannige seadet. Kui juhtpult tunneb anduri ära, siis kontrollige, et kõik harukarpide või pikenduskaablite juhtmed on õigesti ühendatud.
	Veenduge, et juhtpult on paigaldatud ainult kaks andurit. Kuigi kasutada saab kahte analoogmooduli porti, on digitaalse anduri ja kahe analoogmooduli paigaldamise korral juhtpuldil näha ainult kaks kolmest seadmest.
	Võtke ühendust tehnilise toega
Ilmub tõrketeade Device Missing (Seade on puudu)	Kasutage menüüs Test/Maintenance (Test/hooldus) funktsiooni Device Scan (Seadme skannimine).
	Viige läbi juhtpulti toitetükk.

Sadržaj

[Specifikacije](#) na stranici 609

[Opšte informacije](#) na stranici 610

[Postavljanje](#) na stranici 613

[Korisnički interfejs i navigacija](#) na stranici 628

[Pokretanje sistema](#) na stranici 631

[Održavanje](#) na stranici 632

[Otklanjanje problema](#) na stranici 633

Dodatne informacije

Dodatne informacije su dostupne na sajtu proizvođača.

Specifikacije

Specifikacije su podložne promeni bez najave.

Specifikacija	Detalji
Opis komponente	Kontroler, kontrolisan mikroprocesorom i kojim se upravlja menijima, upravlja senzorom i prikazuje izmerene vrednosti.
Radna temperatura	Od -20 do 60°C (od -4 do 140°F); 95% relativne vlažnosti, bez kondenzovanja sa opterećenjem senzora <7 W; od -20 do 50°C (od -4 do 104°F) sa opterećenjem senzora <28 W
Temperatura skladištenja	Od -20 do 70°C (od -4 do 158°F); 95% relativne vlažnosti, bez kondenzovanja
Kućište ¹	NEMA 4X/IP66 metalno kućište sa završnom obradom otpornom na koroziju
Zahtevi za napajanje	Kontroler sa naizmeničnim napajanjem: 100–240 VAC ±10%, 50/60 Hz; napajanje 50 VA sa opterećenjem senzora/mrežnog modula od 7 W, 100 VA sa opterećenjem senzora/mrežnog modula od 28 W (opciona Modbus, RS232/RS485, Profibus DPV1 ili HART mrežna veza). Kontroler sa jednosmernim napajanjem od 24 V: 24 VDC – 15%, + 20%; napajanje 15 W sa opterećenjem senzora/mrežnog modula od 7 W, 40 W sa opterećenjem senzora/mrežnog modula od 28 W (opciona Modbus, RS232/RS485, Profibus DPV1 ili HART mrežna veza).
Zahtevi za nadmorsku visinu	Standardno 2000 m (6562 ft) iznad nivoa mora
Stepen zagađenja/kategorija instalacije	Stepen zagađenja 2; kategorija instalacije II
Izlazi	Dva analogna izlaza (0–20 mA ili 4–20 mA). Svaki analogni izlaz moguće je nameniti predstavljanju izmerenog parametra, poput vrednosti pH, temperature ili toka, odnosno predstavljanju izračunatih vrednosti. Opcioni modul sadrži tri dodatna analogna izlaza (ukupno 5).
Releji	Četiri SPDT kontakta koje konfiguriše korisnik i koji imaju nominalne vrednosti od 250 VAC, 5 A otporničkog maksimuma za kontroler koji se napaja naizmeničnom strujom i 24 VDC, 5 A otporničkog maksimuma za kontroler koji se napaja jednosmernom strujom. Releji su konstruisani za vezu sa kolima na naizmeničnoj mreži (tj. kada kontroler koristi napajanje 115–240 VAC) ili jednosmernim kolima (tj. kada kontroler koristi napajanje 24 VDC).
Dimenzije	½ DIN – 144 x 144 x 180,9 mm (5,7 x 5,7 x 7,12 in.)
Težina	1,7 kg (3,75 lb)

Specifikacija	Detalji
Informacije o usaglašenosti ²	CE odobrenje (sa svim tipovima senzora). Na spisku za korišćenje na opštim lokacijama prema UL i CSA bezbednosnim standardima koje je izdala organizacija ETL (sa svim tipovima senzora). Određeni modeli koji se napajaju naizmeničnom strujom su na spisku za korišćenje na opštim bezbednosnim mestima prema UL i CSA bezbednosnim standardima koje je izdala organizacija Underwriters Laboratories (sa svim tipovima senzora).
Digitalna komunikacija	Opciona Modbus, RS232/RS485, Profibus DPV1 ili HART mrežna veza za prenos podataka
Evidentiranje podataka	Secure Digital (SD) kartica (maksimalno 32 GB) ili posebni RS232 kablovski konektor za evidentiranje podataka i ažuriranje softvera. Kontroler može da skladišti približno 20.000 tačaka podataka po senzoru.
Garancija	2 godine

¹ Jedinice koje imaju sertifikat organizacije Underwriters Laboratories (UL) predviđene su da se koriste unutra i nisu kategorisane kao NEMA 4X/IP66.

² Jedinice koje se napajaju jednosmernom strujom nisu na spisku organizacije UL.

Opšte informacije

Proizvođač neće ni u kom slučaju biti odgovoran za direktna, indirektna, posebna, slučajna ili posledična oštećenja nastala usled greške ili propusta u ovom priručniku. Proizvođač zadržava pravo da u bilo kom trenutku, bez obaveštavanja ili obaveza, izmeni ovaj priručnik i uređaj koji on opisuje. Revizije priručnika mogu se pronaći na veb-lokaciji proizvođača.

Bezbednosne informacije

OBAVEŠTENJE

Proizvođač nije odgovoran ni za kakvu štetu nastalu usled pogrešne primene ili pogrešnog korišćenja ovog uređaja, što obuhvata, ali se ne ograničava na direktna, slučajna i posledična oštećenja, i u potpunosti odriče odgovornost za takva oštećenja u skladu sa zakonom. Prepoznavanje opasnosti od kritičnih primena i instaliranje odgovarajućih mehanizama za zaštitu procesa tokom mogućeg kvara opreme predstavljaju isključivu odgovornost korisnika.

Pažljivo pročitajte celo ovo uputstvo pre nego što raspakujete, podesite i počnete da koristite ovaj uređaj. Obratite pažnju na sve izjave o opasnosti i upozorenju. Ukoliko se toga ne budete pridržavali, može doći do teških povreda operatera ili oštećenja opreme.

Obezbedite da se zaštita koja se isporučuje uz uređaj ne ošteti. Nemojte da koristite ovu opremu na bilo koji način koji se razlikuje od onog opisanog u ovom priručniku.

Korišćenje informacija o opasnosti

▲ OPASNOST

Označava potencijalnu ili predstojeću opasnu situaciju koja će, ukoliko ne bude izbegnuta, dovesti do smrti ili teških povreda.

▲ UPOZORENJE

Označava potencijalnu ili predstojeću opasnu situaciju koja, ukoliko ne bude izbegnuta, može dovesti do smrti ili teških povreda.

▲ OPREZ





Označava potencijalno opasnu situaciju koja može dovesti do lakših ili umerenih povreda.

OBAVEŠTENJE

Označava situaciju koja, ukoliko ne bude izbegnuta, može dovesti do oštećenja instrumenta. Informacije koje zahtevaju posebno isticanje.

Oznake predostrožnosti

Pročitajte sve oznake postavljene na instrument. Ukoliko ne vodite računa o njima, može doći do povređivanja ili oštećenja instrumenta. Na simbol na instrumentu upućuje priručnik pomoću izjave o predostrožnosti.

	Ukoliko se ovaj simbol nalazi na instrumentu, to znači da je neophodno informacije o načinu korišćenja i/ili bezbednosti potražiti u priručniku za korišćenje.
	Ovaj simbol označava da postoji rizik od električnog udara i/ili smrti.
	Ovaj simbol označava prisustvo uređaja osetljivih na elektrostatička pražnjenja, kao i da je neophodno povesti računa o sprečavanju oštećenja opreme.
	Elektronska oprema označena ovim simbolom ne sme da se odlaže u evropskim sistemima komunalnog otpada nakon 12. avgusta 2005. godine. U skladu sa evropskim lokalnim i državnim propisima (Direktiva EU 2002/96/EZ), korisnici električne opreme u Evropi moraju sada da vrate staru ili dotrajalju opremu proizvođaču radi odlaganja bez troškova po korisnika.

Sertifikati

Kanadska uredba o opremi koja izaziva radio-smetnje, IECS-003, klasa A:

Podaci o podržanom testu nalaze se kod proizvođača.

Ovaj digitalni aparat klase A ispunjava sve uslove Kanadske uredbe o opremi koja izaziva smetnje.

Cet appareil numérique de classe A répond à toutes les exigences de la réglementation canadienne sur les équipements provoquant des interférences.

FCC deo 15, ograničenja klase „A“

Podaci o podržanom testu nalaze se kod proizvođača. Ovaj uređaj je u skladu sa delom 15 pravila FCC. Rad podleže sledećim uslovima:

1. Oprema ne sme da izazove štetne smetnje.
2. Oprema mora da prihvati sve primljene smetnje, što obuhvata i smetnje koje izazivaju neželjeni rad.

Izmene ili modifikacije ove opreme koje nisu izričito odobrene od strane koja je odgovorna za usklađenost mogu da ponište pravo korisnika da upotrebljava ovu opremu. Ova oprema je ispitana i ustanovljeno je da je usklađena sa granicama za digitalne uređaje klase A, shodno delu 15 pravila FCC. Te granice su projektovane kako bi obezbedile razumnu zaštitu od štetnih smetnji kada oprema radi u komercijalnom okruženju. Ova oprema generiše, koristi i može da emituje radiofrekventnu energiju i, ako nije postavljena i ako se ne koristi u skladu sa uputstvom za rukovanje, može izazvati štetne smetnje radio-vezama. Rad ove opreme u stambenom području može da izazove štetne smetnje, a u takvom slučaju od korisnika će se zahtevati da o svom trošku koriguje smetnje. Sledeće tehnike mogu da se koriste da bi se smanjili problem sa smetnjama:

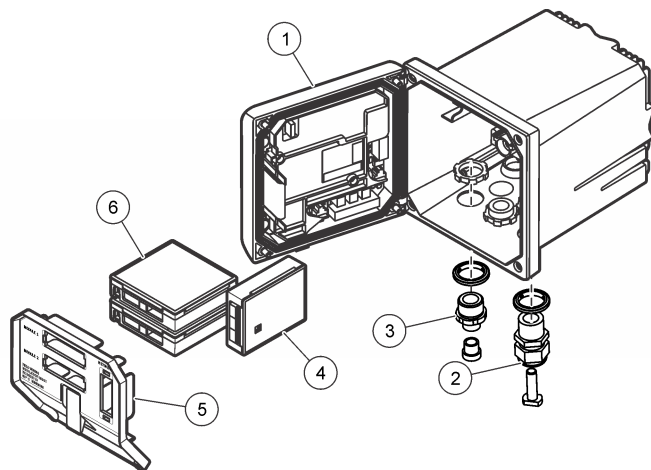
1. Isključiti opremu iz izvora napajanja da bi se proverilo da li je on izvor smetnji ili ne.
2. Ako je oprema povezana na istu utičnicu kao uređaj koji ima smetnje, povezati opremu na drugu utičnicu.
3. Udaljiti opremu od uređaja koji prima smetnje.
4. Promeniti mesto prijemne antene uređaja koji prima smetnje.
5. Probati kombinacije gore navedenog.

Pregled proizvoda

Kontroler prikazuje merenja senzora i druge podatke, on može da prenosi analogne i digitalne signale i može da stupi u interakciju sa drugim uređajima i upravlja njima preko izlaza i releja. Izlazi, releji, senzori i moduli senzora se konfiguriraju i kalibrišu pomoću korisničkog interfejsa na prednjoj strani kontrolera.

Slika 1 prikazuje komponente proizvoda. Komponente mogu da se razlikuju u zavisnosti od konfiguracije kontrolera. Kontaktirajte proizvođača ako su delovi oštećeni ili oni nedostaju.

Slika 1 Komponente sistema



1 Kontroler	4 Modul za mrežu (opcija)
2 Sklop sistema za otpuštanje napreznja (opcija u zavisnosti od verzije kontrolera)	5 Visokonaponska pregrada
3 Priključak za digitalnu vezu (opcija u zavisnosti od verzije kontrolera)	6 Moduli senzora (opcija)

Senzori i moduli senzora

Kontroler prihvata najviše dva modula senzora ili dva digitalna senzora (u zavisnosti od konfiguracije kontrolera) zajedno sa jednim modulom za komunikaciju. Može se postaviti kombinacija jednog digitalnog senzora i jednog modula senzora. Razni senzori mogu da se povežu sa modulima senzora. Informacije o povezivanju senzora se nalaze u specifičnim priručnicima za senzore, kao i u uputstvima za specifične module.

Izlazi i signali releja

Kontroler ima četiri prekidačka releja koji mogu da se konfiguriraju i dva analogna izlaza. Opcioni analogni izlazni modul može da poveća broj analognih izlaza na pet.

Skeniranje uređaja

Osim u slučaju dva izuzetka, kontroler automatski skenira povezane uređaje bez korisničkog nosa kada se uključi. Prvi izuzetak je kada se kontroler uključi prvi put pre prve upotrebe. Drugi izuzetak je nakon što se postavke konfiguracije kontrolera postave na podrazumevane vrednosti i kontroler se uključi. U oba slučaja kontroler prvo prikazuje ekrane za uređivanje jezika, datuma i vremena. Nakon što se prihvate nosi jezika, datuma i vremena, kontroler vrši skeniranje uređaja. Pogledajte [Povezivanje digitalnog sc senzora](#) na stranici 627 kako biste pročitali uputstva o tome kako da skenirate uređaje kada je kontroler uključen.

Kućište kontrolera

Kućište kontrolera je kategorisano kao NEMA 4X/IP66 i ima završnu obradu otpornu na koroziju koja je konstruisana da izdrži korozivna okruženja koja sadrže supstance kao što su slani sprej i vodonik-sulfid. Preporučuje se zaštita od spoljnih uticaja ako se koristi napolju.

Napomena: Jedinice koje imaju sertifikat organizacije Underwriters Laboratories (UL) predviđene su da se koriste unutra i nisu kategorisane kao NEMA 4X/IP66.

Opcije za montiranje kontrolera

Kontroler može da se montira na tablu, zid ili na vertikalnu ili horizontalnu cev. Zaptivka od neoprena se nalazi u pakovanju i može da se koristi za smanjenje vibracija. Zaptivka može da se koristi kao šablon za montiranje table pre nego što se odvoji unutrašnja zaptivka.

Postavljanje

Komponente za montiranje i dimenzije

▲ OPREZ

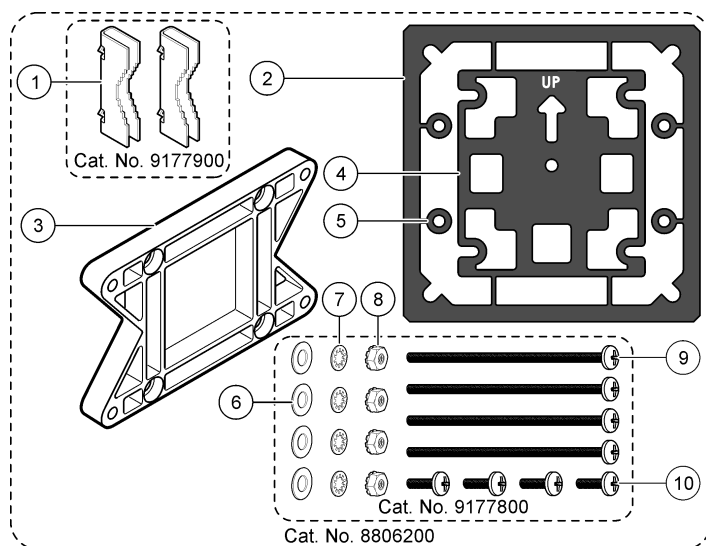
Opasnost od povređivanja. Zadatke opisane u ovom odeljku priručnika treba da obavlja isključivo stručno osoblje.

Kontroler može da se postavi na površinu, tablu ili cev (horizontalno ili vertikalno). Da biste videli opcije i uputstva za montiranje, pogledajte ovde: [Slika 2](#), [Slika 3](#) na stranici 615, [Slika 4](#) na stranici 616, [Slika 5](#) na stranici 617 i [Slika 6](#) na stranici 618.

U slučaju montiranja na horizontalnu cev, podnožje za montiranje ([Slika 2](#)) mora da se postavi na nosač za montiranje u vertikalnom položaju.

U slučaju montiranja na horizontalnu i vertikalnu cev, postavite nosač za montiranje na kontroler kao što prikazuje [Slika 5](#) na stranici 617.

Slika 2 Komponente za montiranje

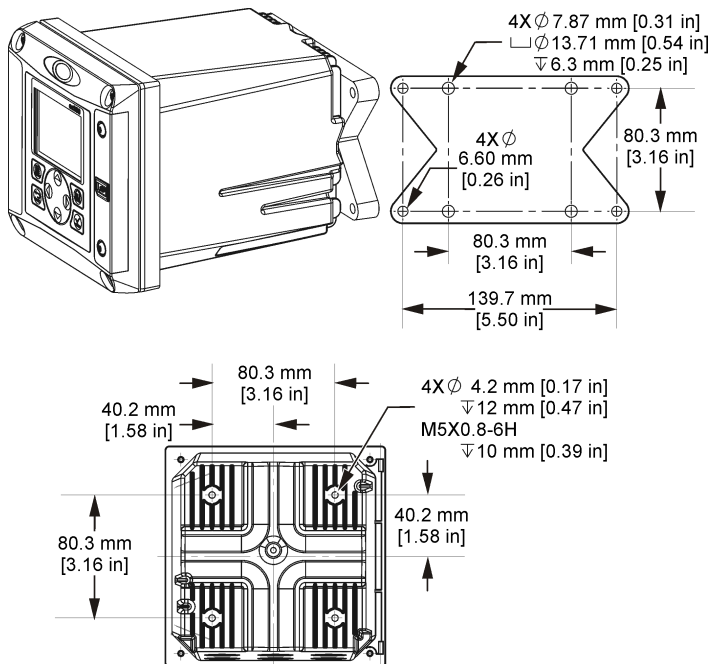


1 Podnožje za montiranje (2x)	6 Ravna podloška, ¼ inča ID (4x)
2 Zaptivka za montiranje na tablu, neopren	7 Opužna podloška, ¼ inča ID (4x)
3 Nosač za montiranje na zid i cev	8 M5 x 0.8 Keps šestougaona navrtka (4x)
4 Podloška za izolaciju vibracija za montiranje na cev	9 Zavrtnji sa zarubljenom glavom, M5 x 0.8 x 100 mm (4x) (koriste se za postavljanje na cevi različitih prečnika)
5 Podloška za izolaciju vibracija za montiranje na cev (4x)	10 Zavrtnji sa zarubljenom glavom, M5 x 0.8 x 15 mm (4x)

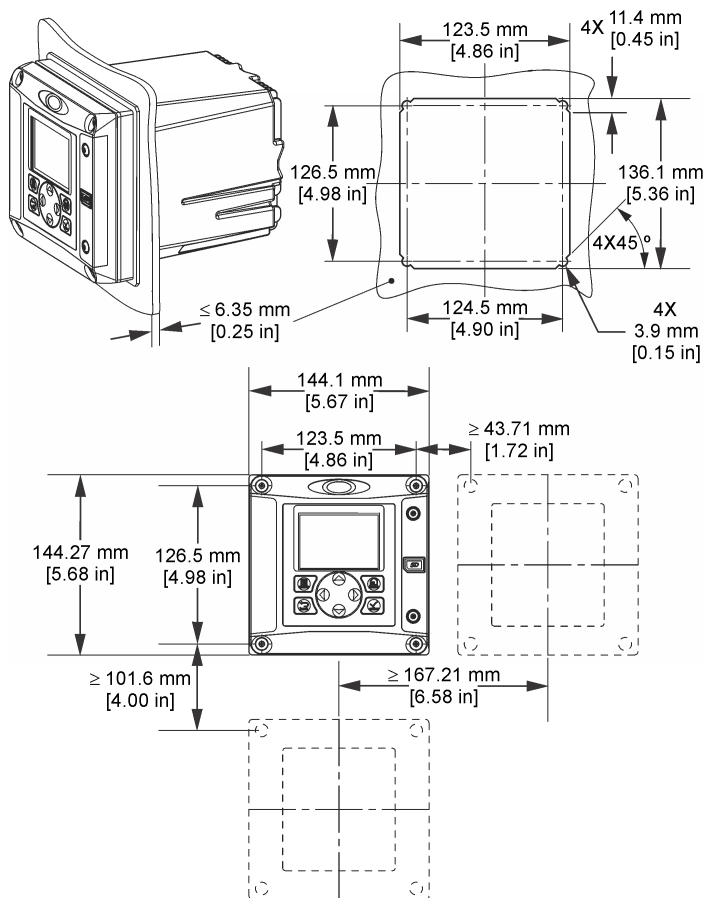
Napomena: Nosač za montažu ploče je dostupan kao deo opcione dodatne opreme.

Montiranje kontrolera

Slika 3 Dimenzije površine za montiranje

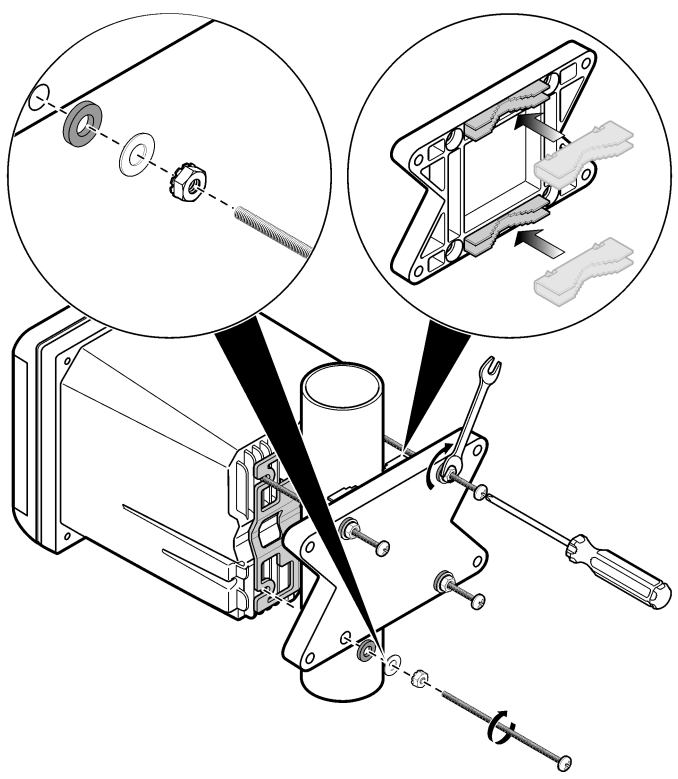


Slika 4 Dimenzije table za montiranje

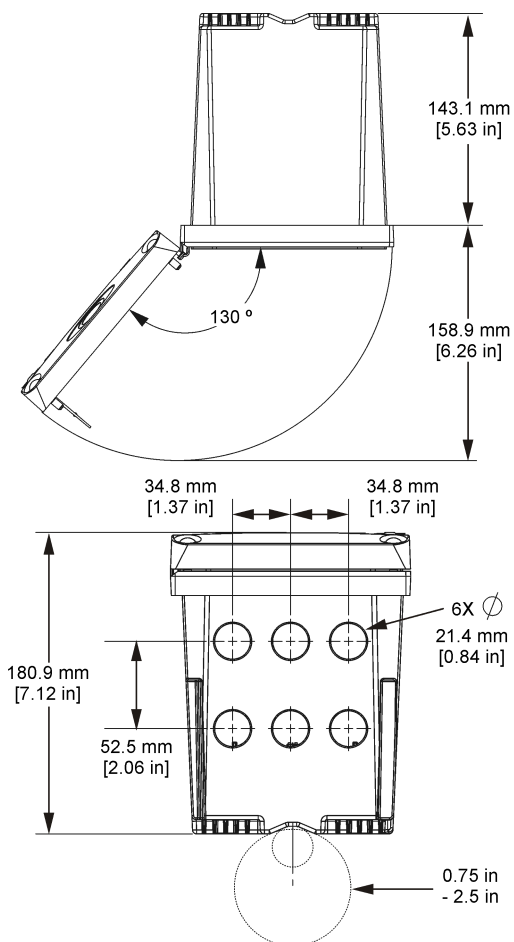


Napomena: Ako za montažu table koristite nosač (opciono), gumite kontroler kroz otvor na tabli, a zatim nosač prevucite preko kontrolera na zadnjoj strani table. Upotrebite četiri vijka sa sočivastom glavom od 15 mm (isporučeni) za pričvršćivanje nosača za kontroler i fiksiranje kontrolera za ploču.

Slika 5 Montiranje na cev (vertikalna cev)



Slika 6 Prikazi gornje i donje strane



Visokonaponska pregrada

Visokonaponski kablovi za kontroler se nalaze iza visokonaponske pregrade u kućištu kontrolera. Pregrada mora biti na svom mestu, osim kada se postavljaju moduli ili kada kvalifikovani tehničar postavlja kablove za napajanje, alarme, izlaze ili releje. Nemojte uklanjati pregradu dok je kontroler pod napajanjem.

Razmatranja o elektrostatičkom pražnjenju (ESP)

OBAVEŠTENJE



Potencijalno oštećenje instrumenta. Osetljive unutrašnje elektronske komponente može da ošteti statički elektricitet, što može dovesti do smanjenih performansi ili mogućeg kvara.

Pridržavajte se koraka iz ove procedure kako biste sprečili ESP oštećenja instrumenta:

- Dodirnite metalnu površinu sa uzemljenjem (okvir instrumenta, metalnu razvodnu kutiju ili cev) kako biste ispraznili statički elektricitet iz tela.

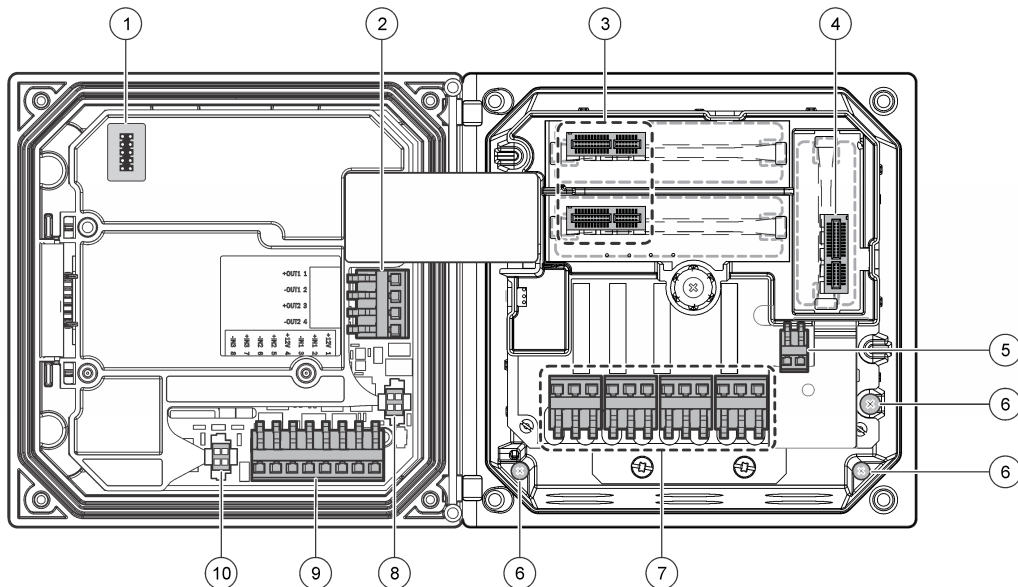
- Izbegavajte prekomerno kretanje. Prenosite komponente koje su osetljive na statički elektricitet u antistatičkim kutijama ili pakovanjima.
- Nosite antistatičku narukvicu koja je povezana sa uzemljenjem.
- Radite u okruženju bez statičkog elektriciteta sa antistatičkim podnim oblogama i antistatičkim oblogama za radne površine.

Pregled postavljanja kablova

Slika 7 prikazuje pregled kablovskih veza u kontroleru kada je uklonjena visokonaponska pregrada. Leva strana slike prikazuje zadnju stranu poklopca kontrolera.

Napomena: Uklonite kapice konektora sa konektora pre instalacije modula.

Slika 7 Pregled kablovskih veza



1 Veza sa servisni kabl	5 Konektor sa naizmenično i jednosmerno napajanje ¹	9 Konektor diskretnih ulaza ¹
2 Izlaz od 4–20 mA ¹	6 Terminali uzemljenja	10 Konektor digitalnog senzora ¹
3 Konektor modula senzora	7 Veze releja ¹	
4 Konektor modula za komunikaciju (npr. Modbus, Profibus, HART, opcioni 4–20 mA modul itd.)	8 Konektor digitalnog senzora ¹	

¹ Terminali mogu da se uklone da bi se poboljšao pristup.

Kablovi za napajanje

⚠ UPOZORENJE



Potencijalna opasnost od strujnog udara. Uvek isključite napajanje instrumenta kada vršite električno povezivanje.

⚠ UPOZORENJE



Potencijalna opasnost od strujnog udara. Ako se ova oprema koristi napolju ili na potencijalno vlažnim mestima, **zaštitni uređaj diferencijalne struje** mora da se koristi za povezivanje opreme na električnu mrežu.

⚠ OPASNOST



Opasnost od strujnog udara. Nemojte povezivati naizmenično napajanje na model koji koristi 24 VDC napajanje.

⚠ UPOZORENJE



Potencijalna opasnost od strujnog udara. Veza sa zaštitnim uzemljenjem je potrebna za primene i sa 100–240 VAC i sa 24 VDC kablovima. Ako se ne obezbedi veza sa zaštitnim uzemljenjem, može doći do opasnosti od strujnog udara i loših performansi zbog elektromagnetnih smetnji. **UVEK** povežite dobro zaštitno uzemljenje na terminal kontrolera.

OBAVEŠTENJE

Postavite uređaj na mesto i u položaj koji pružaju lak pristup za isključivanje uređaja i njegov rad.

Kontroler može da se kupi kao model sa 100–240 VAC napajanjem ili kao model sa 24 VDC napajanjem. Pratite odgovarajuća uputstva za povezivanje kablova za kupljeni model.

Kontroler može da bude povezan na liniju za napajanje direktnim spajanjem u razvodnoj kutiji ili postavljanjem kabla za napajanje. Bez obzira na korišćene kablove, povezivanje se vrši na istim terminalima. Potrebna je lokalna sklopka konstruisana da zadovolji lokalne električne zakone i koja mora biti određena za sve tipove instalacija. U slučaju direktno spojenih kablova, padovi napajanja i bezbednosnog napajanja za instrument moraju biti od 18 do 12 AWG.

Napomene:

- Naponska pregrada mora biti uklonjena pre postavljanja električnih veza. Nakon postavljanja svih veza, vratite naponsku pregradu pre zatvaranja poklopca kontrolera.
- Zaptivni sistem za otpuštanje naprezanja i kabl kraći od 3 m (10 ft) sa tri provodnika preseka 18 (koji sadrže žicu za sigurnosno uzemljenje) mogu da se koriste za održavanje NEMA 4X/IP66 ekološke kategorije.
- Kontroleri mogu da se poruče sa unapred postavljenim kablovima za naizmenično napajanje. Dodatni kablovi za napajanje takođe mogu da se poruče.
- Izvor jednosmerne struje za kontroler sa 24 VDC napajanjem mora da održava regulaciju napajanja u okviru navedenih ograničenja napona od 24 VDC -15% +20%. Izvor jednosmerne struje takođe mora da obezbedi adekvatnu zaštitu od strujnih udara i prelaza linije.

Procedura postavljanja kablova

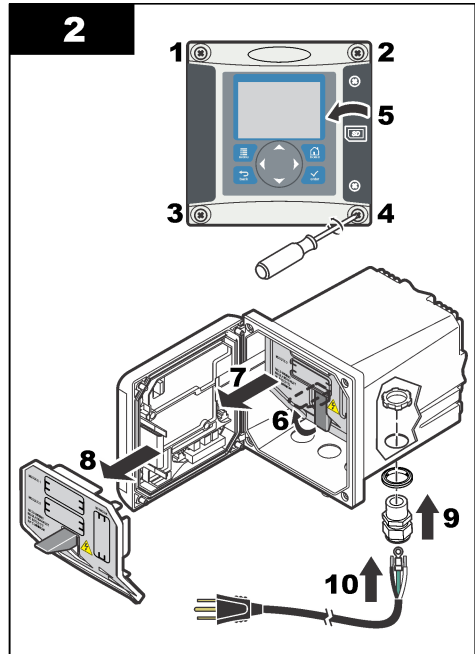
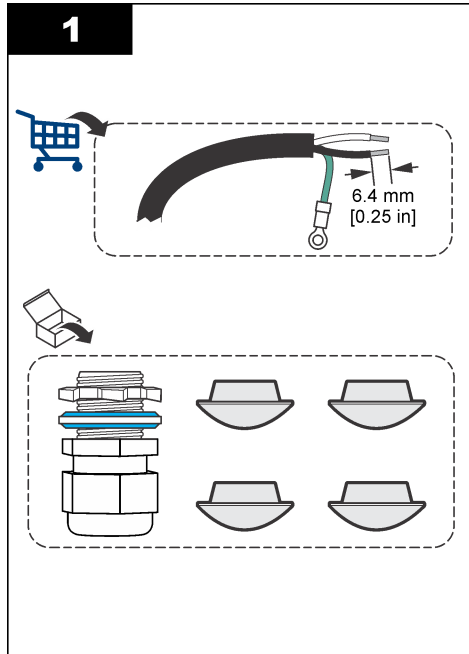
Pogledajte sledeće ilustrovane korake i [Tabela 1](#) ili [Tabela 2](#) kako biste postavili kablove za napajanje kontrolera. Umetnite svaku žicu u odgovarajući terminal dok izolacija ne legne na konektor tako da nema izloženih golih žica. Nakon umetanja pažljivo povucite svaku žicu kako biste se uverili da je pravilno priključena. Zatvorite otvore koji se ne koriste na kućištu kontrolera pomoću čepova za otvore na razvodnoj kutiji.

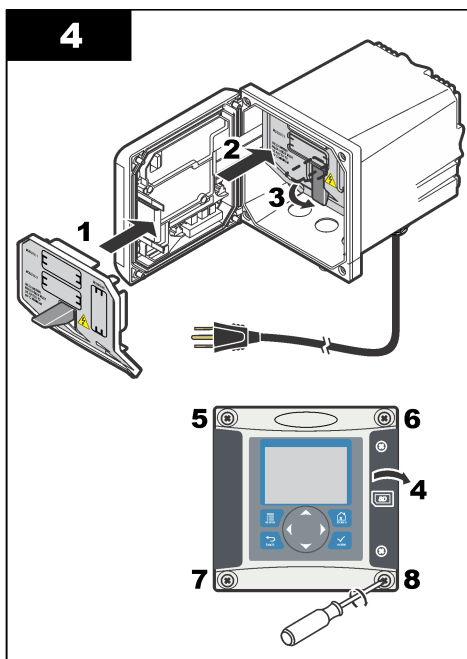
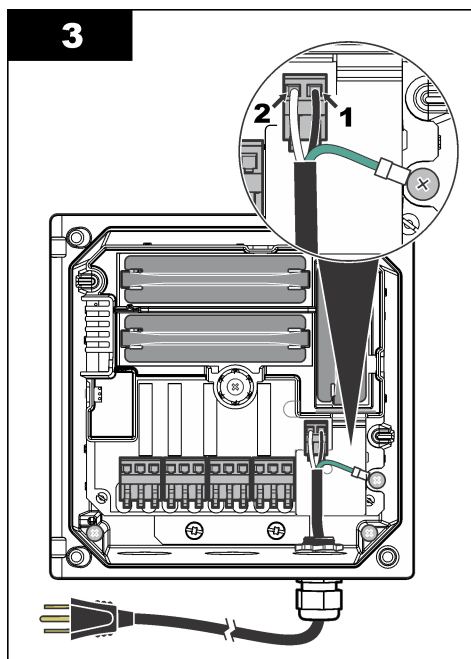
Tabela 1 Informacije o kablovima za naizmenično napajanje (samo za modele sa naizmeničnim napajanjem)

Terminal	Opis	Boja – Severna Amerika	Boja – Evropa
1	Pod naponom (L1)	Crna	Smeđa
2	Neutralno (N)	Bela	Plava
—	Zaštitno uzemljenje	Zelena	Zelena sa žutom prugom

Tabela 2 Informacije o kablovima za jednosmerno napajanje (samo za modele sa jednosmernim napajanjem)

Terminal	Opis	Boja – Severna Amerika	Boja – Evropa
1	+24 VDC	Crvena	Crvena
2	24 VDC povratno	Crna	Crna
—	Zaštitno uzemljenje	Zelena	Zelena sa žutom prugom





Alarmi i releji

Kontroler sadrži četiri jednopolna releja bez napajanja sa nominalnim vrednostima 100–250 VAC, 50/60 Hz, 5 A otporničkog maksimuma. Kontakti imaju nominalne vrednosti od 250 VAC, 5 A otporničkog maksimuma za kontroler koji se napaja naizmjeničnom strujom i 24 VDC, 5 A otporničkog maksimuma za kontroler koji se napaja jednosmernom strujom. Releji nemaju nominalne vrednosti za induktivna opterećenja.

Kablovi za releje

▲ UPOZORENJE



Potencijalna opasnost od strujnog udara. Uvek isključite napajanje instrumenta kada vršite električno povezivanje.

▲ UPOZORENJE



Potencijalna opasnost od požara. Kontakti releja imaju nominalnu vrednost od 5 A i nemaju osigurače. Spoljna opterećenja koja su povezana na releje moraju da imaju uređaje za ograničavanje struje koji ograničavaju struju na < 5 A.

▲ UPOZORENJE



Potencijalna opasnost od požara. Nemojte spajati u rednu vezu obične veze releja ili prespajati kratkospojnicima sa veze prema električnoj vezi u instrumentu.

▲ UPOZORENJE



Potencijalna opasnost od strujnog udara. Da biste održali NEMA/IP ekološke kategorije kućišta, koristite samo priključke u razvodnoj kutiji i zaptivne prstenove za kablove koji imaju bar NEMA 4X/IP66 kategoriju da biste proveli kablove u instrumentu.

Kontroleri sa naizmjeničnim napajanjem (100–250 V)

Odeljak za kablove nije konstruisan za naponske spojeve koji prelaze 250 VAC.

Kontroleri sa 24 VDC napajanjem

⚠ UPOZORENJE



Potencijalna opasnost od strujnog udara. Kontroleri sa naizmeničnim napajanjem (100–230 V) konstruisani su za veze releja sa kolima na naizmeničnoj električnoj mreži (tj. naponi veći od 16 V-RMS, 22,6 V vršno ili 35 VDC).

⚠ UPOZORENJE



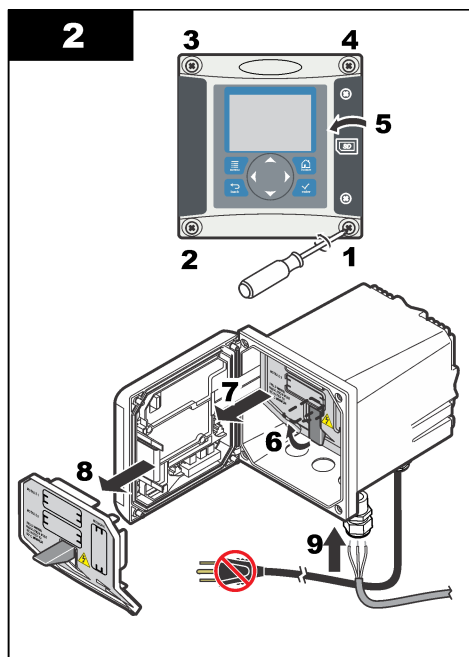
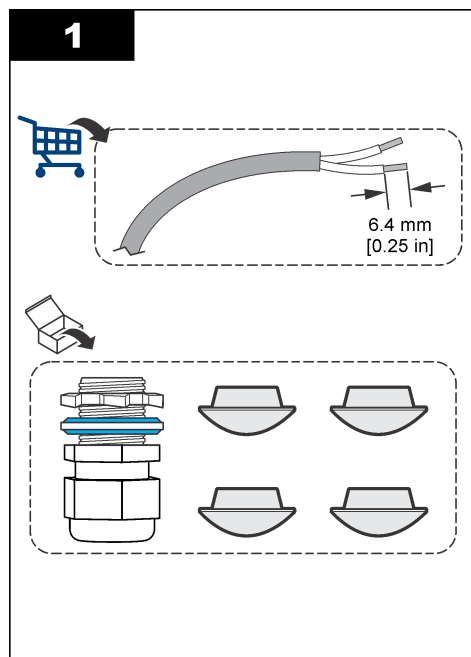
Potencijalna opasnost od strujnog udara. Kontroleri sa 24 VDC napajanjem su konstruisani za veze releja sa niskonaponskim kolima (tj. naponi manji od 16 V-RMS, 22,6 V vršno ili 35 VDC).

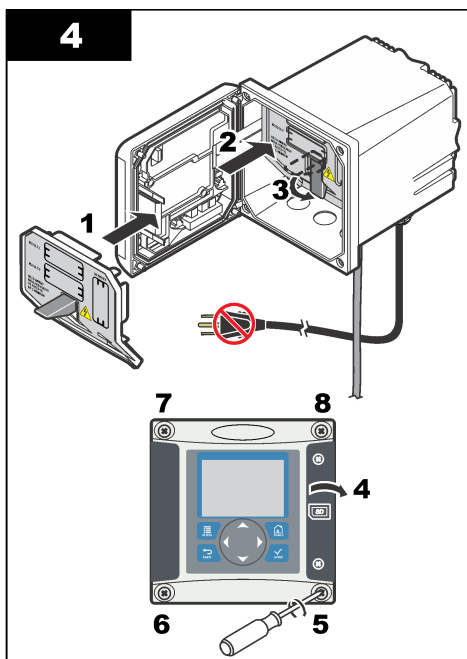
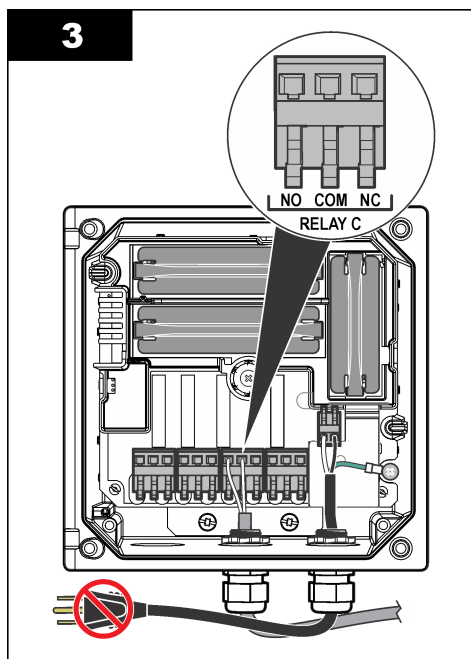
Releji za 24 VDC kontrolere konstruisani su za vezu sa niskonaponskim kolima (tj. naponi manji od 30 V-RMS, 42,2 V vršno ili 60 VDC). Odeljak za kablove nije konstruisan za naponske spojeve veće od ovih nivoa.

Konektor releja prihvata žicu 18–12 AWG (što se određuje primenjenim opterećenjem). Preseci žica manji od 18 AWG se ne preporučuju.

Normalno otvoreni (NO) i obični (COM) kontakti releja će se povezati kada alarm ili drugi uslov postane aktivan. Normalno zatvoreni (NC) i obični kontakti releja će se povezati kada je alarm ili drugi uslov neaktivan (osim ako bezbednosni uslov nije postavljen na Yes (Da)) ili kada se napajanje ukloni iz kontrolera.

Većina veza releja koriste ili NO i COM terminale ili NC i COM terminale. Koraci za instaliranje prikazuju vezu sa NO i COM terminalima.





Analogne izlazne veze

⚠ UPOZORENJE



Potencijalna opasnost od strujnog udara. Uvek isključite napajanje instrumenta kada vršite električno povezivanje.

⚠ UPOZORENJE



Potencijalna opasnost od strujnog udara. Da biste održali NEMA/IP ekološke kategorije kućišta, koristite samo priključke u razvodnoj kutiji i zaptivne prstenove za kablove koji imaju bar NEMA 4X/IP66 kategoriju da biste proveli kablove u instrumentu.

Obezbeđena su dva izolovana analogna izlaza (1 i 2) (Slika 8). Takvi izlazi se obično koriste za analogne signale ili za kontrolisanje drugih spoljnih uređaja.

Postavite kablovske veze sa kontrolerom kao što je prikazano ovdje: Slika 8 i Tabela 3.

Napomena: Slika 8 prikazuje zadnju stranu poklopca kontrolera, a ne unutrašnju stranu odeljka glavnog kontrolera.

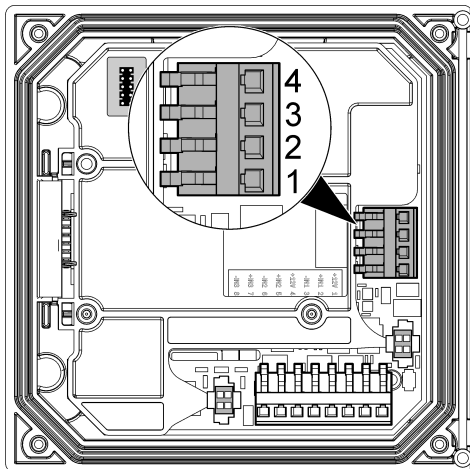
Tabela 3 Izlazne veze

Kablovi snimača	Položaj na štampanoj ploči
Izlaz 2-	4
Izlaz 2+	3
Izlaz 1-	2
Izlaz 1+	1

1. Otvorite poklopac kontrolera.
2. Provedite kablove kroz sistem za otpuštanje napreznja.
3. Podesite kabl po potrebi i pritegnite sistem za otpuštanje napreznja.

4. Veze ostvarite uvijeni parom oklopljenog kabla i povežite oklop na kraju kontrolisane komponente ili na kraju kontrolne petlje.
 - Nemojte povezivati oklop na oba kraja kabla.
 - Korišćenje neoklopljenog kabla može da dovede do toga da nivoi radiofrekventnih emisija i susceptibilnosti budu viši od dozvoljenih.
 - Maksimalni otpor petlje je 500 oma.
5. Zatvorite poklopac kontrolera i pritegnite zavrtne poklopca.
6. Konfigurirajte izlaze kontrolera.

Slika 8 Analodne izlazne veze



Kabloske veze diskretnih ulaza

⚠ UPOZORENJE



Potencijalna opasnost od strujnog udara. Uvek isključite napajanje instrumenta kada vršite električno povezivanje.

⚠ UPOZORENJE



Potencijalna opasnost od strujnog udara. Da biste održali NEMA/IP ekološke kategorije kućišta, koristite samo priključke u razvodnoj kutiji i zaptivne prstenove za kablove koji imaju bar NEMA 4X/IP66 kategoriju da biste proveli kablove u instrumentu.

Dostupna su tri diskretna ulaza, koji se mogu koristiti kao ulazi za zatvaranje prekidača ili naponski ulazi logičkog nivoa. Postavite kabloske veze sa kontrolerom i konfigurirajte postavke kratkospojnika, kao što je prikazano ovde: [Slika 9](#), [Tabela 4](#) i [Slika 10](#).

Napomena: [Slika 9](#) prikazuje zadnju stranu poklopca kontrolera, a ne unutrašnju stranu odeljka glavnog kontrolera.

Slika 9 Kablovske veze diskretnih ulaza

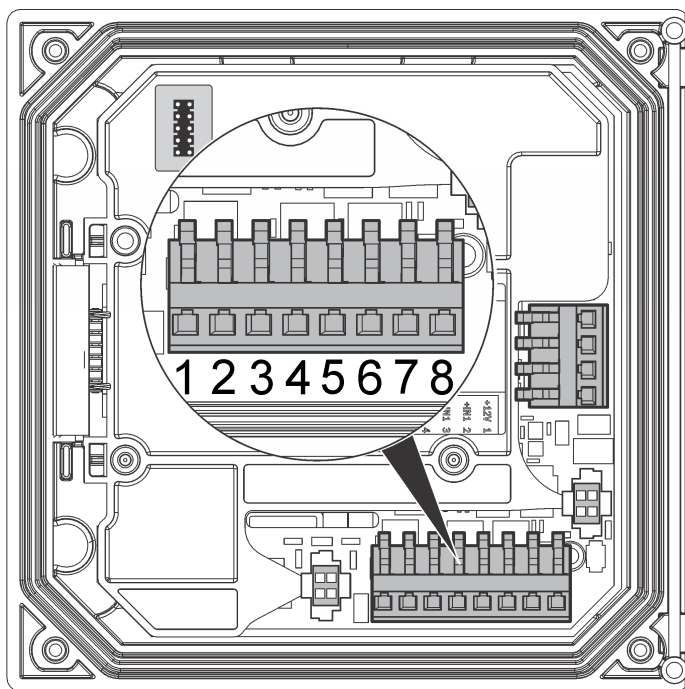
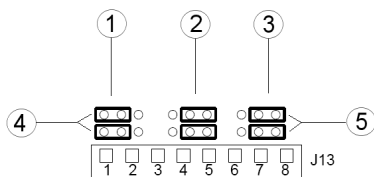


Tabela 4 Povezivanje ulaza

Diskretni ulazi	Položaj konektora – ulaz za prekidač	Položaj konektora – ulaz za napon
Ulaz 1+	3	2
Ulaz 1-	2	3
Ulaz 2+	6	5
Ulaz 2-	5	6
Ulaz 3+	8	7
Ulaz 3-	7	8

Slika 10 Postavke kratkospojnika



1	Kratkospojnici za konfiguraciju ulaza 1	4	Kratkospojnici u levom položaju za ulaze za prekidač
2	Kratkospojnici za konfiguraciju ulaza 2	5	Kratkospojnici u desnom položaju za ulaze za napon
3	Kratkospojnici za konfiguraciju ulaza 3		

1. Otvorite poklopac kontrolera.
2. Provućite kablove kroz kablovsku uvodnicu.
3. Podesite kabl po potrebi i zategnite kablovsku uvodnicu.
4. Kratkospojnici se nalaze odmah iza konektora. Uklonite konektor kako biste lakše prišli kratkospojnicima i podesite kratkospojнике prema tipu ulaza, kao što je prikazano ovde: [Slika 10](#).
5. Zatvorite poklopac kontrolera i pritegnite zavrtnje poklopcu.
6. Konfigurirajte ulaze kontrolera.

Napomena: U režimu **ulaza za prekidač**, kontroler napaja prekidač naponom od 12 volti i ulaz nije izolovan od kontrolera. U režimu **ulaza za napon**, ulazi su izolovani od kontrolera (korisnički ulazni napon između 0 i 30 volti).

Povezivanje digitalnog sc senzora

Napomena: Da biste povezali analogni senzor, pogledajte uputstva koja su isporučena sa modulom ili priručnik za senzor.

Digitalni sc senzor može da se poveže na kontroler pomoću priključka za brzo povezivanje ([Slika 11](#)). Digitalni senzor može da se poveže sa uključenim ili isključenim kontrolerom.

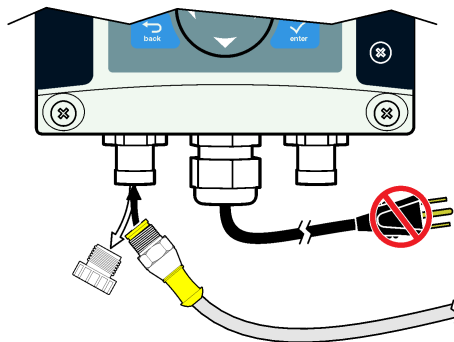
Kada se senzor poveže na uključen kontroler, kontroler neće automatski izvršiti skeniranje uređaja. Da bi kontroler izvršio skeniranje uređaja, dođite do menija Test/Maintenance (Test/održavanje) i izaberite Scan Devices (Skeniraj uređaje). Ako se pronađe uređaj, kontroler obavlja proces instalacije bez dodatnih radnji korisnika.

Kada se senzor poveže na isključen kontroler, kontroler će izvršiti skeniranje uređaja kada se ponovo uključi. Ako se pronađe uređaj, kontroler obavlja proces instalacije bez dodatnih radnji korisnika.

Zadržite kapicu konektora da biste zatvorili otvor konektora u slučaju da morate da uklonite senzor.

Slika 11 Brzo povezivanje digitalnog senzora

1.



Povezivanje opcionog izlaza za digitalnu komunikaciju

Proizvođač podržava Modbus RS485, Modbus RS232 i Profibus DPV1 i HART komunikacione protokole. Opcioni digitalni izlazni modul se postavlja na lokaciju koja je označena stavkom 4 koju prikazuje [Slika 7](#) na stranici 619. Više informacija potražite u uputstvima koja se isporučuju sa mrežnim modulom.

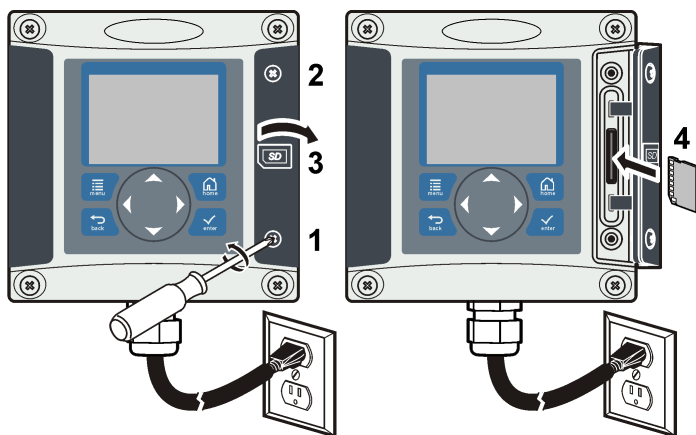
Za informacije o Modbus registrima posetite stranicu <http://www.hach-lange.com> ili <http://www.hach.com> i potražite *Modbus registers*, odnosno posetite stranicu nekog sc200 proizvoda.

Postavljanje Secure Digital (SD) memorijske kartice

Da biste dobili uputstva o načinu postavljanja SD kartice u kontroler, pogledajte [Slika 12](#). Informacije o načinu korišćenja SD memorijske kartice prikazuje proširena verzija ovog priručnika.

Da biste uklonili SD karticu, pritisnite ivicu kartice i otpustite, zatim povucite karticu i izvadite je iz otvora. Nakon uklanjanja kartice zatvorite poklopac otvora i pritegnite zavrtnje poklopcu.

Slika 12 Postavljanje SD kartice

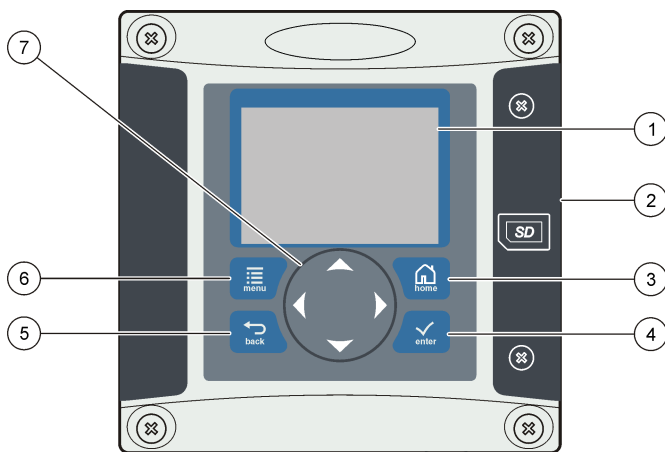


Korisnički interfejs i navigacija

Korisnički interfejs

Tastatura ima četiri tastera za menije i četiri tastera sa strelicama kao što prikazuje [Slika 13](#).

Slika 13 Pregled tastature i prednje table



1 Ekran instrumenta	5 Taster BACK (Nazad). Povratak na prethodni nivo u strukturi menija.
2 Poklopac otvora za Secure Digital (SD) memorijsku karticu	6 Taster MENU (Meni). Prelazak u meni Settings (Postavke) iz drugih ekrana i podmenija.
3 Taster HOME (Početak). Prelazak u ekran Main Measurement (Ekran za glavno merenje) iz drugih ekrana i podmenija.	7 Tasteri sa strelicama. Koriste se za navigaciju kroz menije, promenu postavki i povećanje ili smanjivanje cifara.
4 Taster ENTER . Prihvatanje unosa vrednosti, ažuriranja ili prikazanih opcija menija.	

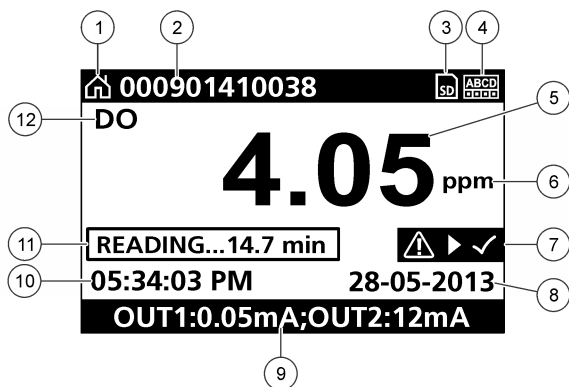
Ulazi i izlazi se podešavaju i konfigurišu pomoću prednje table korišćenjem tastature i digitalnog ekrana. Korisnički interfejs se koristi za podešavanje i konfigurisanje ulaza i izlaza, kreiranje informacija o evidenciji i izračunatih vrednosti, kao i za kalibrisanje senzora. SD interfejs može da se koristi za čuvanje evidencija i ažuriranje softvera.

Ekran

Slika 14 prikazuje primer glavnog ekrana za merenje sa DO senzorom povezanim sa kontrolerom.

Ekran na prednjoj tabli prikazuje podatke o merenju sa senzora, postavke kalibracije i konfiguracije, greške, upozorenja i druge informacije.

Slika 14 Primer ekrana za glavno merenje



1 Ikona početnog ekrana	7 Statusna traka s upozorenjima
2 Ime senzora	8 Datum
3 Ikona SD memorijske kartice	9 Analogne vrednosti na izlazu
4 Indikator statusa releja	10 Vreme
5 Vrednost merenja	11 Traka toka
6 Jedinica merenja	12 Parametar merenja

Tabela 5 Opisi ikona

Ikona	Opis
Početni ekran	Ova ikona može da se menja u zavisnosti od prikazanog ekrana ili menija. Na primer, ako je postavljena SD kartica, ovde se pojavljuje ikona SD kartice kada je korisnik u meniju SD Card Setup (Podešavanje SD kartice).
SD memorijska kartica	Ova ikona se pojavljuje samo ako je SD kartica u otvoru čitača. Kada je korisnik u meniju SD Card Setup (Podešavanje SD kartice), ova ikona se pojavljuje u gornjem levom uglu.
Upozorenje	Ikona upozorenja se sastoji od znaka uzvika u trouglu. Ikone upozorenja se prikazuju desno od glavnog ekrana, ispod vrednosti merenja. Pritisnite taster ENTER , a zatim izaberite uređaj da biste prikazali sve probleme koji se odnose na taj uređaj. Nakon što ispravite ili potvrdite da ste videli sve probleme, ikona upozorenja će nestati.
Greška	Ikona greške se sastoji od znaka uzvika u krugu. Kada se pojavi greška, ikona greške i ekran za merenje se naizmenično smenjuju na glavnom ekranu. Da biste prikazali greške, pritisnite taster MENU (MENI) i izaberite opciju Diagnostics (Dijagnostika). Zatim izaberite uređaj da biste prikazali sve probleme koji se odnose na taj uređaj.

Dodatni formati prikaza

- Na ekranu Main Measurement (Glavno merenje) pritisnite strelice **NAVIŠE** i **NANIŽE** da biste se prebacivali između parametara merenja.
- Na ekranu Main Measurement (Glavno merenje) pritisnite strelice **NADESNO** da biste prešli na podeljeni prikaz do 4 parametara merenja. Pritisnite taster sa strelicom **NADESNO** da biste obuhvatili dodatna merenja. Po potrebi pritisnite taster sa strelicom **NALEVO** da biste se vratili na ekran Main Measurement (Glavno merenje).
- Na ekranu Main Measurement (Glavno merenje) pritisnite strelicu **NALEVO** da biste prešli na grafički prikaz (pogledajte [Grafički prikaz](#) na stranici 631 da biste definisali parametre). Pritisnite strelice **NAVIŠE** i **NANIŽE** da biste prebacivali merne dijagrame

Grafički prikaz

Dijagram prikazuje izmerene koncentracije i temperature za sve kanale koji se koriste. Dijagram omogućava jednostavno praćenje trendova i prikazuje promene u procesu.

1. Na ekranu grafičkog prikaza pomoću strelica naviše i naniže izaberite dijagram i pritisnite taster **HOME** (POČETAK).
2. Izaberite opciju:

Opcija	Opis
MEASUREMENT VALUE (VREDNOST MERENJA)	Omogućava podešavanje vrednosti merenja za izabrani kanal. Izaberite između opcija Auto Scale (Automatsko skaliranje) i Manually Scale (Ručno skaliranje). Za ručno skaliranje treba da unesete minimalnu i maksimalnu vrednost merenja
DATE & TIME RANGE (OPSEG DATUMA I VREMENA)	Omogućava podešavanje opsega datuma i vremena pomoću dostupnih opcija

Pokretanje sistema

Prilikom prvog uključivanja pojavljuju se ekrani Language (Jezik), Date Format (Format datuma) i Date/Time (Datum/vreme), tim redosledom. Nakon što se podese ove opcije, kontroler vrši skeniranje uređaja i prikazuje poruku **Scanning for devices. Please wait...** (Skeniranje uređaja. Sačekajte...) Ako se pronađe novi uređaj, kontroler obavlja proces instalacije pre prikazivanja ekrana za glavno merenje.

Ako skeniranje pronađe prethodno instalirane uređaje čija konfiguracija nije promenjena, ekran za glavno merenje na uređaju pojavljuje se na položaju broj jedan nakon što se završi skeniranje.

Ako se uređaj ukloni iz kontrolera ili se ne pronađe tokom sledećeg skeniranja prilikom pokretanja ili prilikom aktiviranja pomoću menija, kontroler prikazuje poruku **Device missing** (Nedostaje uređaj) i postavlja upit da li da se izbriše uređaj koji nedostaje.

Ako nijedan senzor nije povezan sa instaliranim analognim modulom, kontroler će ukazati na grešku. Ako su uređaji povezani, ali njih nije pronašao kontroler, pogledajte [Otklanjanje problema](#) na stranici 633.

Podešavanje jezika, datuma i vremena prvi put

Kontroler prikazuje ekrane za uređivanje jezika, datuma i vremena kada se kontroler uključi prvi put, kao i kada se uključi nakon postavljanja postavki konfiguracije na podrazumevane vrednosti. Nakon što se opcije jezika, datuma i vremena podese prvi put, moguće je ažurirati ih po potrebi u sc200 meniju za podešavanje.

1. U ekranu Language (Jezik) istaknite jezik u listi sa opcijama, a zatim pritisnite taster **ENTER**. Engleski je podrazumevani jezik na kontroleru. Izabrani jezik se čuva. Pojaviće se ekran Date Format (Format datuma).
2. U ekranu Date Format (Format datuma) istaknite format, a zatim pritisnite taster **ENTER**. Čuva se format datuma i vremena. Zatim, pojaviće se ekran Date/Time (Datum/vreme).
3. U ekranu Date/Time (Datum/vreme) pritisnite tastere sa strelicama **NADESNO** ili **NALEVO** da biste istakli polje, a zatim pritisnite tastere sa strelicama **NAVIŠE** i **NANIŽE** da biste ažurirali vrednost u polju. Ažurirajte ostala polja po potrebi.
4. Pritisnite taster **ENTER**. Promene se čuvaju i kontroler obavlja početno skeniranje uređaja. Ako se pronađu povezani uređaji, kontroler prikazuje ekran za glavno merenje za uređaj na položaju broj jedan. Ako kontroler ne uspe da pronađe povezane uređaje, pogledajte [Otklanjanje problema](#) na stranici 633.

Informacije o konfiguraciji kontrolera

Opšte informacije o opcijama konfiguracije nalaze se u tabeli.

1. Da biste došli do opcija menija, u meniju Settings (Postavke), izaberite sc200 Setup (sc200 podešavanje).

Opcija	Opis
Security setup (Podešavanje bezbednosti)	Postavlja željene postavke za lozinku.
Output setup (Podešavanje izlaza)	Konfiguriše analogne izlaze kontrolera
Relay setup (Podešavanje releja)	Konfiguriše releje kontrolera
Display setup (Podešavanje prikaza)	Konfiguriše prikaz kontrolera
Set Date/Time (Podešavanje datuma/vremena)	Postavlja vreme i datum na kontroleru
Datalog setup (Podešavanje evidencije podataka)	Konfiguriše opcije evidencije podataka. Dostupno je samo ako je podešeno izračunavanje.
Manage Data (Upravljanje podacima)	Izaberite uređaj u listi instaliranih komponenti da biste pregledali evidenciju podataka ili događaja
Error Hold Mode (Režim zadržavanja greške)	Hold Outputs (Zadržavanje izlaza) – zadržava izlaze na poslednjoj poznatoj vrednosti kada kontroler izgubi komunikaciju sa senzorom. Transfer Outputs (Prenos izlaza) – prelazi u režim prenosa kada kontroler izgubi komunikaciju sa senzorom. Izlazi se prenose na unapred definisanu vrednost.
Calculation (Izračunavanje)	Konfiguriše matematičku funkciju kontrolera
sc200 Information (Informacije o sc200)	S/W VER: (Verzija softvera): – prikazuje trenutnu verziju softvera kontrolera Bootloader VER: (Verzija programa za učitavanje operativnog sistema): – prikazuje trenutnu verziju programa za učitavanje operativnog sistema. Bootloader je datoteka koja učitava glavni operativni sistem kontrolera S/N: (Ser. br.): – prikazuje serijski broj kontrolera Version: (Verzija): – prikazuje trenutnu verziju hardvera kontrolera
Discrete Input Setup (Podešavanje diskretnog ulaza)	Konfiguriše tri diskretna ulazna kanala
Language (Jezik)	Dodeljuje jezik koji koristi kontroler

2. Izaberite opciju i pritisnite taster **ENTER** da biste aktivirali stavku u meniju.

Održavanje

▲ OPREZ



Višestruka opasnost. Zadatke opisane u ovom odeljku dokumenta mora da obavlja isključivo stručno osoblje.

Čišćenje kontrolera

▲ OPASNOST



Uvek uklonite napajanje iz kontrolera pre obavljanja održavanja.

Napomena: Nikada nemojte koristiti zapaljive ili korozivne rastvarače da biste očistili neki deo kontrolera. Korišćenje ovih rastvarača može da smanji ekološku zaštitu jedinice i može da poništi garanciju.

1. Vodite računa da poklopac kontrolera bude čvrsto zatvoren.
2. Obrišite spoljnu stranu kontrolera tkaninom navlaženom vodom ili mešavinom vode i blagog deterdženta.

Otklanjanje problema

Problem	Rešenje
Nema izlazne struje	Proverite konfiguraciju izlazne struje.
	Testirajte signal izlazne struje pomoću podmenija Test/Maintenance (Test/održavanje). Unesite vrednost struje i proverite izlazni signal na vezama kontrolera.
	Obratite se tehničkoj podršci.
Netačna izlazna struja	Proverite konfiguraciju izlazne struje.
	Testirajte signal izlazne struje pomoću podmenija Test/Maintenance (Test/održavanje). Unesite vrednost struje i proverite izlazni signal na vezama kontrolera. Ako je izlaz netačan, izvršite kalibraciju izlaza.
Nema aktiviranja releja	Proverite da li su veze releja čvrste.
	Ako se koristi spoljni izvor napajanja, vodite računa da kablovi releja budu ispravni.
	Vodite računa da konfiguracija releja bude ispravna.
	Testirajte aktiviranje releja u meniju Test/Maintenance (Test/održavanje). Relej treba da se uključi i isključi prilikom izbora.
	Vodite računa da kontroler ne bude u režimu kalibracije i da relej nije zadržan.
Ponovo postavite opciju Overfeed Timer (Tajmer predugog korišćenja) da biste proverili da li je tajmer istekao.	
Secure Digital (SD) karticu ne prepoznaje kontroler	Proverite da li je SD kartica ispravno postavljena. Konektori od bakra treba da budu usmereni prema ekranu kontrolera.
	Proverite da li je SD kartica dobro legla u otvor i da li je brava zaključana.
	Proverite da li je SD kartica ispravno formatirana Fat 32 formatom. MMC format nije podržan. Pratite uputstva proizvođača kartice da biste formatirali SD karticu na računaru.
	Vodite računa da kartica ne bude veća od 32 GB.
	Proverite da li se koristi SD kartica. Ostali tipovi kartica (kao što su xSD, micro SD, mini SD) neće ispravno raditi.

Problem	Rešenje
Informacije se ne čuvaju ili se ne čuvaju ispravno na SD kartici.	Proverite da li je SD kartica ispravno formatirana FAT 32 formatom. MMC format nije podržan. Pratite uputstva proizvođača kartice da biste formatirali SD karticu na računaru.
	Ako je SD kartica već korišćena, formatirajte karticu Fat 32 formatom, postavite karticu u kontroler i pokušajte da preuzmete datoteke.
	Probajte drugu SD karticu.
SD kartica je puna	Pročitajte SD karticu računarnom ili drugim uređajem za čitanje kartica. Sačuvajte važne datoteke, a zatim izbrisite neke datoteke ili sve njih sa SD kartice.
Kontroler ne može da pronade ažuriranje softvera na SD kartici.	Vodite računa da odgovarajuća fascikla bude kreirana tako što ćete instalirati SD karticu u kontroler. Fascikla za ažuriranje će se automatski kreirati.
	Postavite SD karticu u računar i proverite da li se datoteke softvera nalaze u odgovarajućoj fascikli za ažuriranje.
	Ako se ista SD kartica koristi sa više kontrolera, svaki kontroler će imati posebnu fasciklu na sistemu. Proverite da li se ažuriranje softvera nalazi u fascikli koja je dodeljena kontroleru koji se koristi.
Ekran je uključen ali se ne vide znakovi ili su znakovi bleđi ili zamućeni.	Podešavanje kontrasta prikaza
	Proverite da li je zaštitna folija uklonjena sa ekrana.
	Očistite spoljašnjost kontrolera, kao i ekran.
Kontroler neće da se uključi ili se uključuje sa prekidima	Proverite da li su veze naizmeničnog napajanja ispravno povezane u kontroleru.
	Proverite da li su razvodnik napajanja, linija za napajanje i utikač za zid ispravno priključeni.
	Obratite se tehničkoj podršci
Mrežni modul ili modul senzora nisu prepoznati	Proverite da li je modul ispravno instaliran.
	Proverite da li je prekidač za izbor modula postavljen na ispravan broj.
	Uklonite modul senzora i postavite ga u drugi analogni otvor. Uključite kontroler i pustite kontroler da izvrši skeniranje uređaja.
	Obratite se tehničkoj podršci.

Problem	Rešenje
<p>Senzor nije prepoznat</p> <p>Napomena: Primer mogućeg prikaza poruke: ****</p>	<p>Ako je senzor analogni senzor i odgovarajući modul je postavljen u kontroler, pogledajte uputstva koja ste dobili sa mrežnim modulom ili modulom senzora.</p>
	<p>Vodite računa da kablovi digitalnog konektora budu postavljeni unutar sklopa vrata i da kablovi ne budu oštećeni.</p>
	<p>Ako je digitalni senzor povezan sa kontrolerom pomoću digitalne priključne glave, korisničke spojne glave, digitalnih produžnih kablova ili korisničkog produžnog kabla, povežite senzor direktno na kontroler i izvršite skeniranje uređaja. Ako kontroler prepozna senzor, proverite da li su ispravni kablovi u spojnim glavama ili produžnim kablovima.</p>
	<p>Proverite da li su samo dva senzora postavljena u kontroler. Iako postoje dva otvora za analogne module, ako su postavljeni digitalni senzor i dva analogna modula, kontroler će prepoznati samo dva od tri uređaja.</p>
	<p>Obratite se tehničkoj podršci</p>
<p>Pojavljuje se poruka „Device Missing“ (Nedostaje uređaj)</p>	<p>Izvršite skeniranje uređaja u meniju Test/Maintenance (Test/održavanje).</p>
	<p>Uključite kontroler</p>

جدول المحتويات

المواصفات في صفحة 636	بدء تشغيل النظام في صفحة 656
معلومات عامة في صفحة 637	الصيانة في صفحة 657
التركيب في صفحة 640	استكشاف الأخطاء وإصلاحها في صفحة 658
أجهزة المستخدم والتنقل في صفحة 654	

معلومات إضافية

تتوفر معلومات إضافية على موقع الشركة المصنعة على الويب.

المواصفات

تخضع المواصفات للتغيير دون إشعار.

المواصفات	التفاصيل
وصف الجهاز	وحدة تحكم يتم التحكم فيها من خلال معالجات دقيقة وقوائم تعمل على تشغيل أدوات الاستشعار وتعرض القيم التي يتم قياسها.
درجة حرارة التشغيل	تتراوح بين 20- و60 درجة مئوية (بين 4- و140 درجة فهرنهايت)؛ رطوبة نسبية تبلغ 95%، غير مكثفة مع حمل أداة استشعار أقل من 7 واط؛ وبين 20- و50 درجة مئوية (بين 4- و104 درجة فهرنهايت) مع حمل أداة استشعار أقل من 28 واط
درجة حرارة التخزين	تتراوح بين 20- و70 درجة مئوية (بين 4- و158 درجة فهرنهايت)؛ رطوبة نسبية تبلغ 95%، غير مكثفة
محتويات المغلف ¹	حاوية معدنية متوافقة مع NEMA 4X/IP66 مع طلاء مقاوم للتآكل
متطلبات الطاقة	وحدة تحكم يتم تشغيلها باستخدام تيار متردد: 100-240 فولت تيار متردد ±10%، 50/60 هرتز؛ طاقة 50 فولت أمبير مع حمل أداة استشعار/وحدة شبكة 7 واط، 100 فولت أمبير مع حمل أداة استشعار/وحدة شبكة 28 واط (توصيلات الشبكة الاختيارية Modbus أو RS232/RS485 أو Profibus DPV1 أو HART).
وحدة تحكم تعمل بجهد 24 فولت تيار مستمر: 24 فولت تيار مستمر—15%، +20%؛ طاقة 15 واط مع حمل أداة استشعار/وحدة شبكة 7 واط، 40 واط مع حمل أداة استشعار/وحدة شبكة 28 واط (توصيلات الشبكة الاختيارية Modbus أو RS232/RS485 أو Profibus DPV1 أو HART).	
متطلبات الارتفاع	قياسياً 2000 متر (6562 قدمًا) فوق مستوى سطح البحر
درجة التلوث/فئة التركيب	درجة التلوث 2؛ فئة التركيب II
منافذ المخرج	منفذ إخراج تناظري (20-0 مللي أمبير أو 4-20 مللي أمبير). يمكن تعيين كل منفذ إخراج تناظري ليمثل اسم عنصر يتم قياسه مثل درجة الحموضة (pH) أو درجة الحرارة أو التدفق أو القيم المحسوبة. توفر الوحدات الاختيارية ثلاثة منافذ إخراج تناظرية إضافية (ليكون الإجمالي خمسة منافذ إخراج).
المراحل	أربعة مفاتيح تحتوي على نغظتي تلامس وتعمل كمفتاح ثنائي ذي مسارين (SPDT)، نقاط تلامس يتم تكوينها بواسطة المستخدم، مصنفة 250 فولت تيار متردد، و5 أمبير مقاوم كحد أقصى في وحدة التحكم التي تعمل بتيار متردد، و24 فولت تيار مستمر، و5 أمبير مقاوم كحد أقصى في وحدة التحكم التي تعمل بتيار مستمر. تم تصميم المرحلات لتوصيلها بدوائر المصدر الرئيسية للتيار المتردد (أي عندما يتم تشغيل وحدة التحكم باستخدام طاقة بجهد 115 - 240 فولت تيار متردد) أو دوائر التيار المستمر (أي عندما تم تشغيل وحدة التحكم باستخدام طاقة بجهد 24 فولت تيار مستمر).
الأبعاد	½ بمقياس المعهد الألماني للتوحيد القياسي — 144 × 144 × 180.9 مم (5.7 × 5.7 × 7.12 بوصات)
الوزن	1.7 كجم (3.75 أرطال)
معلومات التوافق ²	معتمد وفقاً لمعايير مجلس الاتحاد الأوروبي (مع جميع أنواع أدوات الاستشعار). مدرج للاستخدام في المواقع العامة بموجب معايير السلامة لكل من UL وCSA بواسطة ETL (مع جميع أنواع أدوات الاستشعار). هناك بعض الوحدات التي يتم تشغيلها بالمصادر الرئيسية للتيار المتردد مدرجة للاستخدام في المواقع العامة الآمنة بموجب معايير السلامة لكل من UL وCSA بواسطة Underwriters Laboratories (مع جميع أنواع أدوات الاستشعار).
الاتصال الرقمي	اتصال الشبكة الاختياري Modbus أو RS232/RS485 أو Profibus DPV1 أو HART لنقل البيانات

المواصفات	التفاصيل
تسجيل البيانات	بطاقة تخزين آمنة (بحجم 32 جيجابايت كحد أقصى) أو موصل كبل RS232 لتسجيل البيانات وإجراء تحديثات البرامج. تحتفظ وحدة التحكم بما يقرب من 20000 من نقاط البيانات لكل أداة استئجار.
الضمان	عامان

- 1 الوحدات الحائزة على شهادة مختبرات Underwriters Laboratories (UL) مخصصة للاستخدام في الأماكن الداخلية فقط وليست مصنفة ضمن NEMA 4X/IP66.
- 2 الوحدات التي يتم تشغيلها باستخدام التيار المستمر لا يتم إدراجها بواسطة UL.

معلومات عامة

لا تتحمل الشركة المصنعة بأي حال من الأحوال المسؤولية عن الأضرار المباشرة أو غير المباشرة أو الخاصة أو العرضية أو اللاحقة الناتجة عن أي سهو أو خطأ في هذا الدليل. وتحفظ الشركة المصنعة بالحق في إجراء تغييرات على هذا الدليل والمنتجات الموضحة به في أي وقت، دون إشعار أو التزام مسبق. يمكن العثور على الإصدارات التي تمت مراجعتها على موقع الشركة المصنعة على الويب.

معلومات السلامة

إشعار

الشركة المصنعة غير مسؤولة عن أية أضرار تنتج عن سوء استخدام هذا المنتج، بما في ذلك على سبيل المثال لا الحصر الأضرار المباشرة والعرضية واللاحقة، وتخلي مسؤوليتها عن مثل هذه الأضرار إلى الحد الكامل المسموح به وفق القانون المعمول به. يتحمل المستخدم وحده المسؤولية الكاملة عن تحديد مخاطر الاستخدام الحرجة وتركيب الآليات المناسبة لحماية العمليات أثناء أي قصور محتمل في تشغيل الجهاز.

يُرجى قراءة هذا الدليل بالكامل قبل تفريغ محتويات العبوة أو إعداد هذا الجهاز أو تشغيله. انتبه جيداً لجميع بيانات الخطر والتنبيه. فإن عدم الالتزام بذلك قد يؤدي إلى إصابة خطيرة تلحق بالمشغل أو تلف بالجهاز.

تأكد أن الحماية التي يوفرها هذا الجهاز لن تتأثر. تجنب استخدام هذا الجهاز أو تركيبه بأي طريقة بخلاف الموضحة في هذا الدليل.

استخدام معلومات الخطر

⚠️ خطر

يشير إلى موقف خطير محتمل أو وشيك والذي إذا لم يتم تجنبه، فمن الممكن أن يؤدي إلى الوفاة أو يتسبب في حدوث إصابة خطيرة.

⚠️ تحذير

يشير إلى موقف خطير محتمل أو وشيك والذي إذا لم يتم تجنبه، فمن الممكن أن يؤدي إلى الوفاة أو يتسبب في حدوث إصابة خطيرة.

⚠️ تنبيه



يشير إلى موقف خطير محتمل يمكن أن يؤدي إلى إصابة طفيفة أو متوسطة.

إشعار

يشير إلى موقف، إذا لم يتم تجنبه، يمكن أن يؤدي إلى تلف الجهاز. معلومات تتطلب تأكيداً خاصاً.

الملصقات الوقائية

اقرأ جميع الملصقات والعلامات المرفقة بالجهاز. فمن الممكن أن تحدث إصابة شخصية أو يتعرض الجهاز للتلف في حالة عدم الانتباه لها. فكل رمز على الجهاز يُشار إليه في الدليل من خلال بيان وقائي.

هذا الرمز إذا تم تدوينه على الجهاز، فإنه يشير إلى دليل الإرشادات لمعرفة كيفية التشغيل ولأو معلومات السلامة.	
يشير هذا الرمز إلى احتمال وجود خطر التعرض لصدمة كهربائية ولأو صعقة كهربائية.	

يشير هذا الرمز إلى وجود أجهزة حساسة للتفريغ الإلكترونيستاتيكي (ESD) كما يشير إلى أنه يجب توخي الحذر لمنع تلف الجهاز.



لا يمكن التخلص من الأجهزة الكهربائية التي تحمل هذا الرمز في الأنظمة الأوروبية العامة للتخلص من النفايات بعد 12 أغسطس 2005. وفقاً للوائح الأوروبية المحلية (توجيه الاتحاد الأوروبي 2002/96/EC)، فإن مستخدمى الأجهزة الكهربائية في أوروبا يتعين عليهم الآن إعادة الأجهزة القديمة أو التي انتهى عمرها الافتراضي إلى الشركة المنتجة للتخلص منها دون تكلفة على المستخدم.



الشهادات

اللائحة الكندية للأجهزة المسببة للتداخل اللاسلكي، **IECS-003**، الفئة "A":

يتوافق مع سجلات الاختبارات التي تجريها الشركة المصنعة.

هذا الجهاز الرقمي من الفئة "A" يفي بجميع متطلبات اللائحة الكندية للأجهزة المسببة للتداخل.

Cet appareil numérique de classe A répond à toutes les exigences de la réglementation canadienne sur les équipements provoquant des interférences.

الفقرة 15 من قواعد لجنة الاتصالات الفيدرالية، قيود الفئة "A"

يتوافق مع سجلات الاختبارات التي تجريها الشركة المصنعة. يتوافق الجهاز مع الفقرة 15 من قواعد لجنة الاتصالات الفيدرالية. تخضع عملية التشغيل للشرطين التاليين:

1. قد لا يتسبب الجهاز في حدوث تداخل ضار.
2. يجب أن يتقبل الجهاز أي تداخل وارد، بما في ذلك التداخل الذي قد يؤدي إلى تشغيل غير مرغوب فيه.

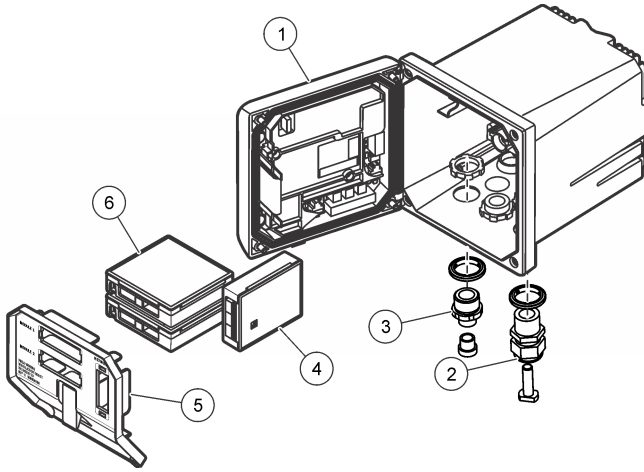
إن إحداث تغييرات أو إدخال تعديلات على هذا الجهاز بدون الاعتماد الصريح بذلك من الجهة المسؤولة عن التوافق من شأنه أن يبطل حق المستخدم في تشغيل الجهاز. خضع هذا الجهاز للاختبارات وثبت أنه يمثل لقيود الأجهزة الرقمية من الفئة "A"، والمطابقة للجزء 15 من قواعد لجنة الاتصالات الفيدرالية (FCC). إن الغرض من هذه القيود هو توفير حماية معقولة من أي تداخل ضار عند تشغيل الجهاز في بيئة تجارية. يولد هذا الجهاز طاقة من الترددات اللاسلكية ويستخدمها ومن الممكن أن يشعها كذلك، وإذا لم يتم تركيبه واستخدامه وفقاً لدليل الإرشادات، فقد يتسبب في حدوث تداخل ضار مع الاتصالات اللاسلكية. قد يؤدي تشغيل هذا الجهاز في منطقة سكنية إلى حدوث تداخل ضار، وفي هذه الحالة يتعين على المستخدم تصحيح هذا التداخل على نفقته الخاصة. يمكن استخدام الأساليب التالية للحد من مشكلات التداخل:

1. افصل الجهاز عن مصدر الطاقة للتأكد أنه مصدر التداخل أو أن هناك مصدرًا آخر للتداخل.
2. إذا كان الجهاز متصلاً بالمخرج ذاته الذي يتصل به الجهاز الذي يتعرض للتداخل، فصل الجهاز بمخرج آخر.
3. انقل الجهاز بعيداً عن الجهاز الذي يستقبل التداخل.
4. عدّل موضع هوائي الاستقبال الخاص بالجهاز الذي يستقبل التداخل.
5. جرّب مجموعات مما تم ذكره أعلاه.

نظرة عامة على المنتج

تعرض وحدة التحكم قياسات أدوات الاستشعار وبيانات أخرى، ويمكنها نقل الإشارات التناظرية والرقمية ويمكنها التفاعل مع الأجهزة الأخرى والتحكم فيها من خلال منافذ المخرج والمرحلات. يتم تكوين منافذ المخرج والمرحلات وأدوات الاستشعار ووحدة أدوات الاستشعار ومعايرتها عبر واجهة المستخدم على الجزء الأمامي من وحدة التحكم.

يعرض الشكل 1 عناصر المنتج. يمكن أن تختلف العناصر بناءً على تكوين وحدة التحكم. اتصل بالشركة المصنعة إذا كانت هناك أجزاء تالفة أو مفقودة.



1 وحدة التحكم	4 وحدة الشبكة (اختيارية)
2 مجموعة تقليل الجهد (اختيارية بناءً على إصدار وحدة التحكم)	5 حاجز الجهد العالي
3 تجهيزات التوصيل الرقمي (اختيارية بناءً على إصدار وحدة التحكم)	6 وحدات أدوات الاستشعار (اختيارية)

أدوات الاستشعار ووحدات أدوات الاستشعار

تقبل وحدة التحكم ما يصل إلى وحدتي أداة استشعار كحد أقصى أو أداتي استشعار رقميتين (وفقاً لتكوين وحدة التحكم)، بالإضافة إلى وحدة توصيل واحدة. كما يمكن تركيب أداة استشعار رقمية واحدة ووحدة أداة استشعار واحدة في مجموعة واحدة. يمكن توصيل مجموعة متنوعة من أدوات الاستشعار بوحدات أدوات الاستشعار. تتوفر معلومات توصيل أدوات الاستشعار في أدلة أدوات الاستشعار المحددة في إرشادات المستخدم للوحدات المحددة.

منافذ إخراج وإشارات المرحلات

تحتوي وحدة التحكم على أربعة مفاتيح مرحلات قابلة للتكوين ومنفذي إخراج تناظري. كما أن هناك وحدة إخراج تناظري اختيارية يمكنها أن تزيد من عدد منافذ المخرج التناظري لتصبح خمسة منافذ.

عمليات البحث عن أجهزة

باستثناء حالتين، تقوم وحدة التحكم تلقائياً بالبحث عن الأجهزة المتصلة دون تدخل المستخدم عند تشغيلها. الاستثناء الأول عندما يتم تشغيل وحدة التحكم للمرة الأولى قبل بدء الاستخدام. والاستثناء الثاني بعد إجراء تعيين إعدادات تكوين وحدة التحكم على قيمها الافتراضية وتشغيل وحدة التحكم. وفي كلتا الحالتين، فإن وحدة التحكم تعرض أولاً شاشات تعديل اللغة والتاريخ والوقت. وبعد قبول إدخال اللغة والتاريخ والوقت، فإن وحدة التحكم ستجري البحث عن أجهزة. راجع [توصيل أداة استشعار SC رقمية](#) في صفحة 653 للحصول على إرشادات حول كيفية البحث عن الأجهزة عندما يكون الجهاز قيد التشغيل بالفعل.

حماية وحدة التحكم

حماية وحدة التحكم مصنفة ضمن NEMA 4X/IP66 وذات طلاء مضاد للتآكل مصمم لمقاومة العناصر البيئية المسببة للتآكل، مثل رذاذ الملح وكبريتيد الهيدروجين. نحن نوصي بشدة بالحماية من الأضرار البيئية عند الاستخدام في الأماكن الخارجية.
ملاحظة: الوحدات الحائزة على شهادة مختبرات Underwriters Laboratories (UL) مخصصة للاستخدام في الأماكن الداخلية فقط وليست مصنفة ضمن NEMA 4X/IP66.

خيارات تركيب وحدة التحكم

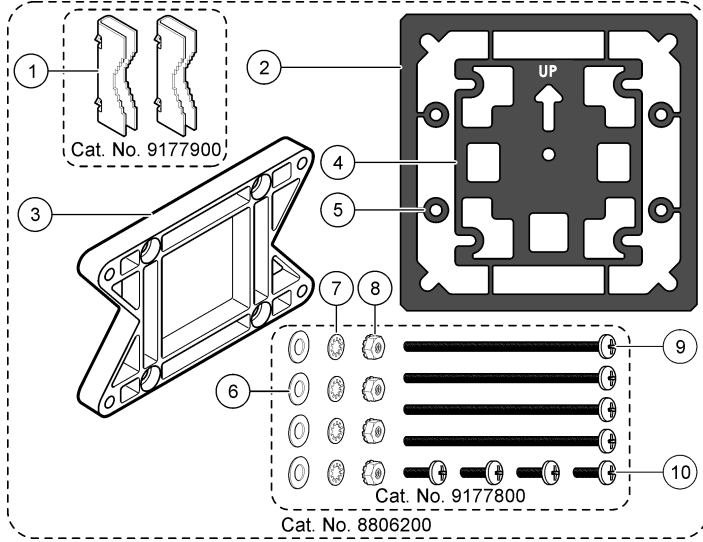
يمكن تركيب وحدة التحكم على لوحة أو على الحائط أو على أنبوب رأسي أو أفقي. قد تم وضع حشية منع التسرب المصنوعة من النيوبرين، ويمكن استخدامها لتقليل الاهتزاز. كما يمكن استخدام الحشية كقالب للتركيب على اللوحة قبل فصل الحشية الداخلية للعنصر.

⚠ تنبيه

خطر الإصابة الشخصية. يجب عدم إجراء المهام الموضحة في هذا القسم من الدليل إلا بواسطة الفنيين المؤهلين لذلك فقط.

يمكن تركيب وحدة التحكم على سطح أو لوحة أو أنبوب (أفقي أو رأسي). للتعرف على خيارات التركيب وإرشاداته، راجع الشكل 2 والشكل 3 في صفحة 641 والشكل 4 في صفحة 642 والشكل 5 في صفحة 643 والشكل 6 في صفحة 644.
للتثبيت على أنبوب أفقي، يجب إرفاق قدم التركيب (الشكل 2) برف التركيب في وضع رأسي.
للتثبيت على كل من الأنابيب الأفقية والرأسية، قم بتركيب رف التركيب بوحدة التحكم كما هو موضح في الشكل 5 في صفحة 643.

الشكل 2 عناصر التركيب

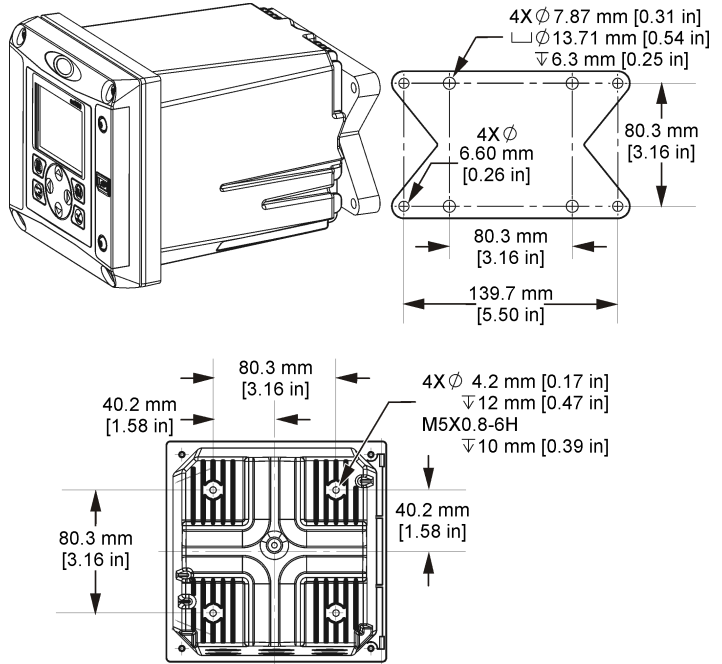


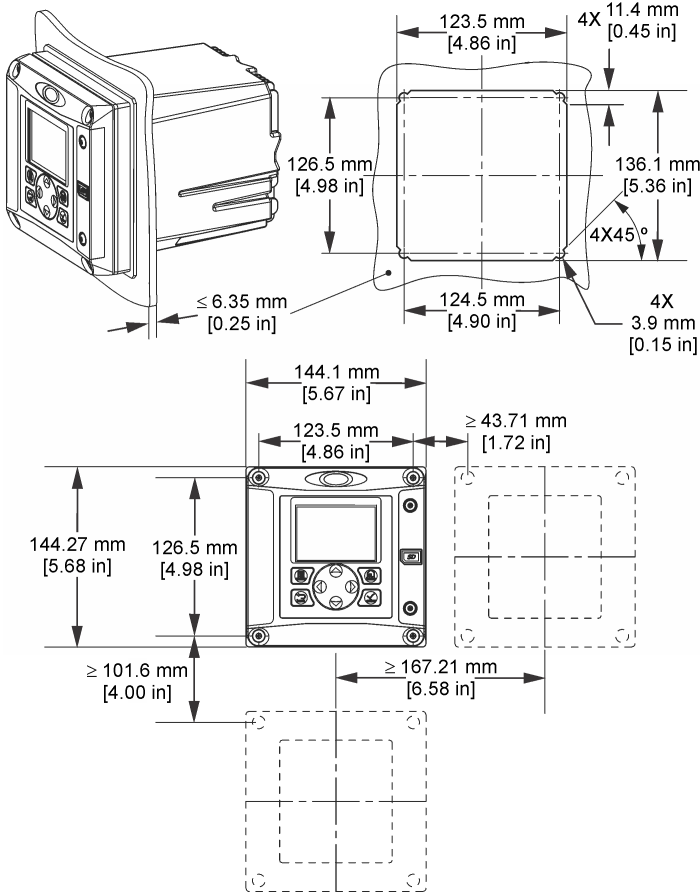
1 قدم التركيب (عدد 2)	6 وردة مسطحة، ¼ بوصة (عدد 4)
2 حشية مانعة للتسرب للتركيب على لوحة، من النيوبرين	7 وردة قفل، ¼ بوصة (عدد 4)
3 رف للتركيب على الحائط والأنابيب	8 صواميل سداسية ذاتية التثبيت مقياس $M5 \times 0.8$ (عدد 4)
4 حشية عزل الاهتزاز للتركيب على الأنابيب	9 مسامير مزودة برأس برغي مقياس $M5 \times 0.8 \times 100$ مم (عدد 4) (تستخدم لعمليات التركيب على الأنابيب مختلفة الأقطار)
5 وردة لعزل الاهتزاز للتركيب على الأنابيب (عدد 4)	10 مسامير مزودة برأس برغي مقياس $M5 \times 0.8 \times 15$ مم (عدد 4)

ملاحظة: رف التركيب موجود على لوحة كملحق اختياري.

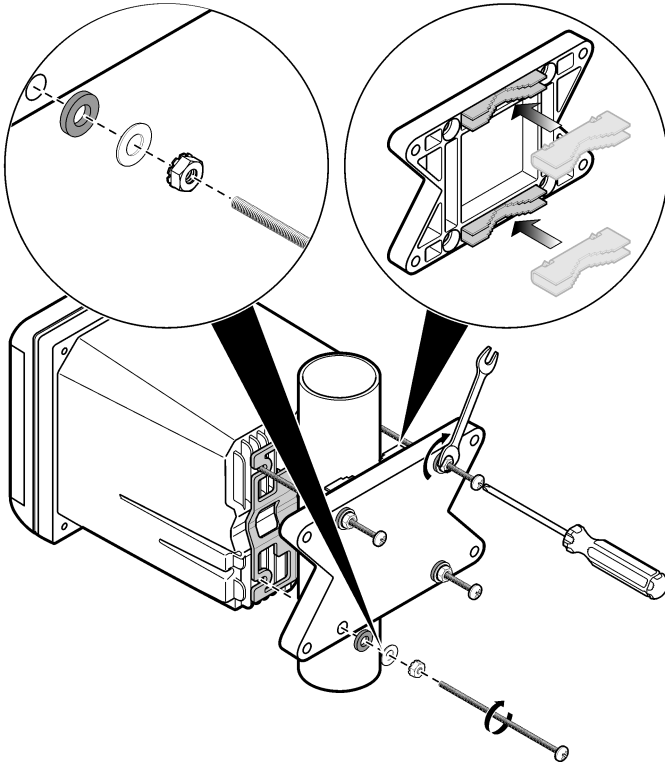
تركيب وحدة التحكم

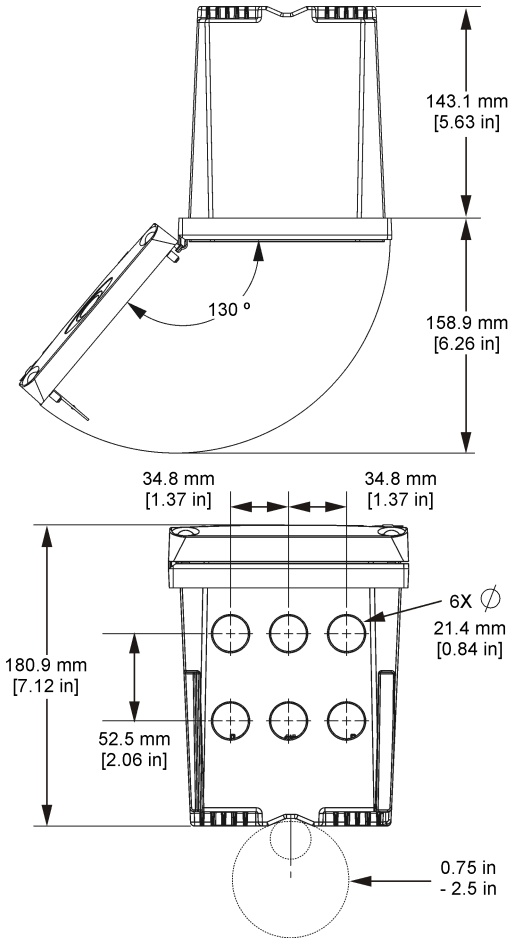
الشكل 3 أبعاد التركيب السطحي





ملاحظة: في حالة استخدام الرف (اختياري) للتركيب على لوحة، اضغط على وحدة التحكم عبر الفتحة الموجودة في اللوحة، ثم أزح الرف فوق وحدة التحكم على الجانب الخلفي للوحة. استخدم المسامير الأربعة المزودة برأس برغي مقاس 15 مم (المرفقة) لتثبيت الرف بوحدة التحكم وإحكام تثبيت وحدة التحكم باللوحة.





حاجز الجهد العالي

أسلاك الجهد العالي الخاصة بوحدة التحكم موجودة خلف حاجز الجهد العالي في حاوية وحدة التحكم. يجب أن يظل الحاجز في مكانه باستثناء وقت تركيب الوحدات أو عند قيام مؤهل بتوصيل الطاقة أو الإنذارات أو منافذ المخرج أو المرحلات. لا تقم بإزالة الحاجز أثناء تزويد وحدة التحكم بالطاقة.

اعتبارات التفريغ الإلكترونيستاتيكي (ESD)

إشعار

التلف المحتمل للجهاز. يمكن أن تتلف العناصر الإلكترونية الداخلية الحساسة بواسطة الكهرباء الساكنة؛ مما يؤدي إلى قصور في الأداء أو عطل تام.



راجع الخطوات الواردة في هذا الإجراء لمنع الضرر الناتج عن التفريغ الإلكترونيستاتيكي للجهاز:

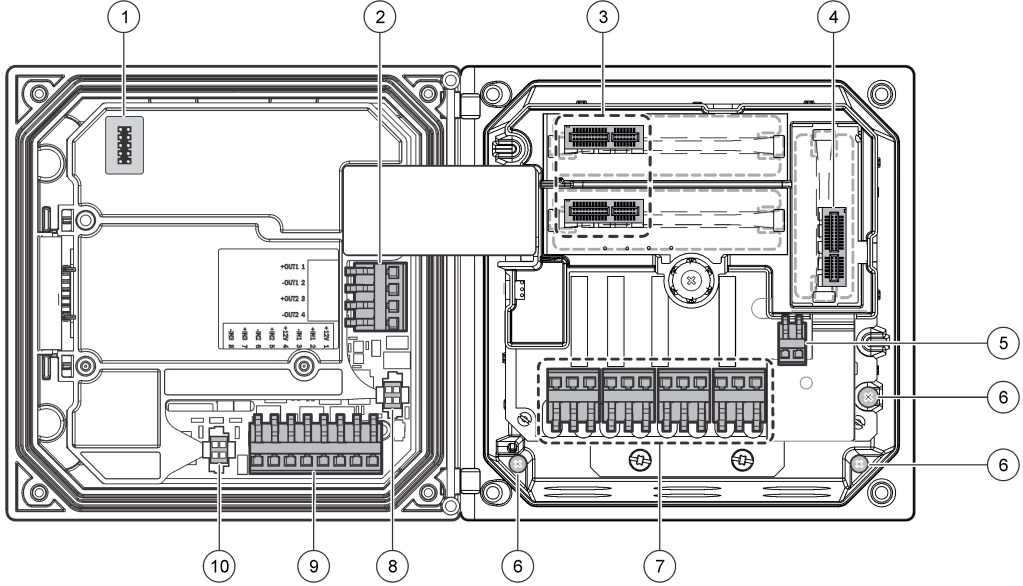
- المس سطحاً معدنيًا تم تفريغه من الشحنات، مثل هيكل الجهاز أو قناة أنبوب معدنية لتفريغ الكهرباء الساكنة من الجسم.
- تجنب الحركة المفرطة. انقل العناصر الحساسة للكهرباء الساكنة في حاويات أو طرود مضادة للكهرباء الساكنة.
- ارتد رباط معصم متصلًا بسلك التفريغ من الشحنات.

- اعمل في منطقة آمنة من الكهرباء الساكنة ومزودة ببطانات أرضية وبطانات طاولات عمل مضادة للكهرباء الساكنة.

نظرة عامة على توصيل الأسلاك

يعرض الشكل 7 نظرة عامة على توصيلات الأسلاك داخل وحدة التحكم مع إزالة حاجز الجهد العالي. يعرض الجزء الأيسر من الشكل الجزء الخلفي من غطاء وحدة التحكم. ملاحظة: قم بإزالة أغطية الموصلات من الموصلات قبل تركيب الوحدة.

الشكل 7 نظرة عامة على توصيلات الأسلاك



1	توصيل كبل الخدمة	5	موصل طاقة التيار المتردد والتيار المستمر ¹	9	موصل أسلاك المدخل المنفصل ¹
2	إخراج 20-4 مللي أمبير ¹	6	النهايات الطرفية للتفريغ من الشحنات	10	موصل أداة الاستشعار الرقمية ¹
3	موصل وحدة أداة الاستشعار	7	توصيلات المرحلات ¹		
4	موصل وحدة الاتصال (على سبيل المثال، 20-4 مللي أمبير الاختيارية، إلخ.) Modbus، Profibus، HART، وحدة	8	موصل أداة الاستشعار الرقمية ¹		

¹ يمكن إزالة النهايات الطرفية لتسهيل الوصول.

توصيل أسلاك الطاقة

⚠ تحذير

خطر الصعقات الكهربائية المحتملة. افصل الطاقة دوماً عن الجهاز عند إجراء توصيلات كهربائية.



⚠ تحذير

خطر الصعقات الكهربائية المحتملة. إذا تم استخدام هذا الجهاز في أماكن مفتوحة أو في مواقع يُحتمل أن تكون مبللة، فيجب استخدام جهاز قاطع الدائرة للحماية من التسرب الأرضي لتوصيل الجهاز بمصدر الطاقة الرئيسي الخاص به.



⚠ خطر

خطر الصعقات الكهربائية. تجنب توصيل التيار المتردد بطراز يعمل بجهد 24 فولت تيار مستمر.



⚠ تحذير

خطر الصعقات الكهربائية المحتملة. إن توصيل الحماية من التسرب الأرضي (PE) مطلوب لكل من استخدام الأسلاك 100-240 فولت تيار متردد و24 فولت تيار مستمر. إن الإخفاق في توصيل الحماية من التسرب الأرضي بشكل جيد يمكن أن يؤدي إلى مخاطر التعرض لصدمة كهربائية وضعف الأداء نظرًا للتداخلات الكهرومغناطيسية. صل دومًا الحماية من التسرب الأرضي جيدًا بالنهاية الطرفية لوحدة التحكم.



إشعار

احرص على تركيب الجهاز في موقع وموضع يوفران سهولة الوصول لفصل الجهاز وتشغيله.

يمكن شراء وحدة التحكم إما بطراز يعمل بالتيار المتردد بجهد 100-240 فولت أو بطراز يعمل بالتيار المستمر بجهد 24 فولت. اتبع الإرشادات المناسبة لتوصيل الأسلاك الخاصة بالطراز الذي تم شراؤه.

يمكن توصيل أسلاك وحدة التحكم بخط الطاقة من خلال التوصيل المباشر بالقناة أو بسلك طاقة. بغض النظر عن التوصيل المستخدم، فإن التوصيلات يتم إجراؤها بالنهايات الطرفية ذاتها. يجب تحديد مفتاح فصل موضعي ليقي بالقوانين الكهربائية لجميع أنواع التركيبات. في استخدامات التوصيل المباشر، يجب أن تكون خدمة الطاقة والتفريغ من الشحنات للسلامة الخاص بالجهاز بين 18 و12 بمعيار السلك الأمريكي (AWG).

ملاحظات:

- يجب إزالة حاجز الجهد قبل إجراء أية توصيلات كهربائية. بعد إجراء جميع التوصيلات، أعد تركيب حاجز الجهد قبل إغلاق غطاء وحدة التحكم.
- يمكن استخدام نوع مانع للتسرب لتقليل الجهد وسلك طاقة بطول أقل من 3 أمتار (10 أقدام) مع ثلاثة موصلات مقاس 18 (تتضمن سلكًا أرضيًا للسلامة) للحفاظ على التصنيف البيئي NEMA 4X/IP66.
- يمكن طلب وحدات التحكم بأسلاك طاقة للتيار المتردد تم تركيبها مسبقًا. كما يمكن أيضًا طلب أسلاك طاقة إضافية.
- يجب أن يحتوي مصدر التيار المستمر الذي يزيد الطاقة لوحدة التحكم التي تعمل بتيار مستمر بجهد 24 فولت على منظم للجهد ضمن حدود الجهد المحددة التي تبلغ 24 فولت تيار مستمر 15% + 20%. يجب أن يوفر مصدر طاقة التيار المستمر كذلك الحماية الكافية من اندفاع التيار والتغيرات المفاجئة للتيار.

إجراء توصيل الأسلاك

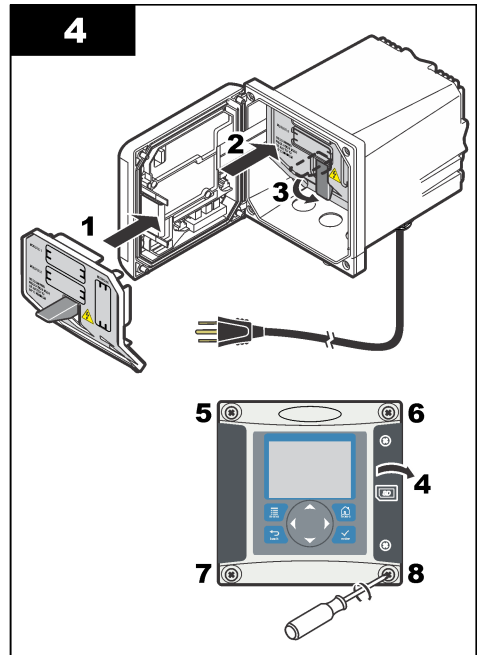
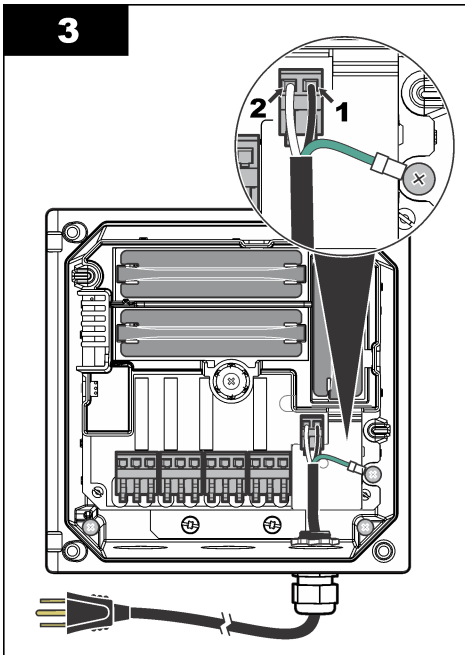
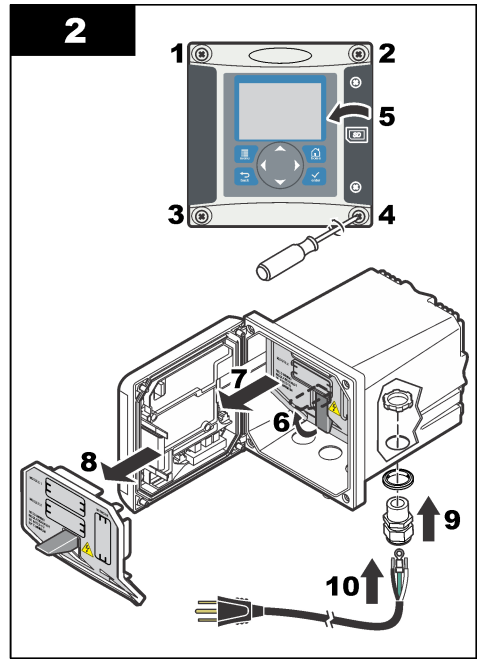
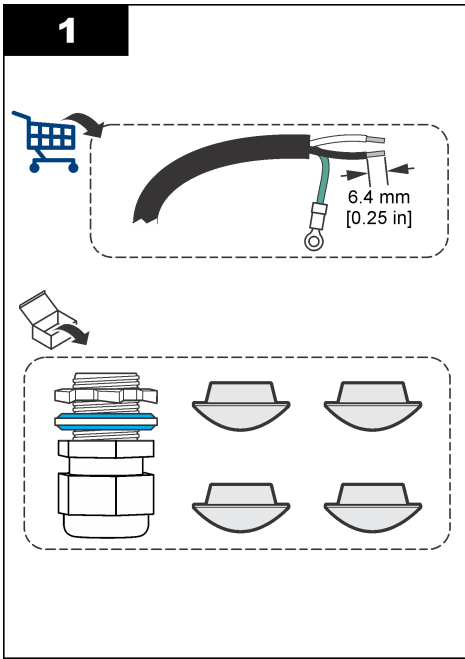
راجع الخطوات التالية الموضحة والجدول 1 أو الجدول 2 لتوصيل وحدة التحكم بالطاقة. أدخل كل سلك في النهاية الطرفية المناسبة له حتى يتم استيعاب الجزء المعزول داخل الموصل مع عدم ظهور سلك عارٍ. قم بشده برفق بعد الإدخال للتأكد من توصيله بإحكام. قم بسد أية فتحات غير مستخدمة في صندوق وحدة التحكم باستخدام سدادات فتحات القنوات.

الجدول 1 معلومات توصيل أسلاك التيار المتردد (بالنسبة للطرز التي تعمل بتيار متردد فقط)

النهاية الطرفية	الوصف	اللون — أمريكا الشمالية	اللون — الاتحاد الأوروبي
1	ساخن (L1)	أسود	بني
2	محايد (N)	أبيض	أزرق
—	عروة الحماية من التسرب الأرضي (PE)	أخضر	أخضر مع أشرطة صفراء

الجدول 2 معلومات توصيل أسلاك التيار المستمر (بالنسبة للطرز التي تعمل بتيار مستمر فقط)


النهاية الطرفية	الوصف	اللون — أمريكا الشمالية	اللون — الاتحاد الأوروبي
1	24+ فولت تيار مستمر	أحمر	أحمر
2	24 فولت تيار مستمر ارتداد	أسود	أسود
—	عروة الحماية من التسرب الأرضي (PE)	أخضر	أخضر مع أشرطة صفراء



الإذارات والمرحلات

وحدة التحكم مزودة بأربعة مرحلات أحادية القطب تم فصل التيار عنها مصنفة من 100 إلى 250 فولت تيار متردد، و60/50 هرتز، و5 أمبير مقاوم كحد أقصى. الموصلات مصنفة 250 فولت تيار متردد، و5 أمبير مقاوم كحد أقصى في وحدة التحكم التي تعمل بتيار متردد، و24 فولت تيار مستمر، و5 أمبير مقاوم كحد أقصى في وحدة التحكم التي تعمل بتيار مستمر. لاحظ أن المرحلات غير مصنفة للأحمال الحثية.

توصيل أسلاك المرحلات

⚠ تحذير	
خطر الصعقات الكهربائية المحتملة. افصل الطاقة دوماً عن الجهاز عند إجراء توصيلات كهربائية.	

⚠ تحذير	
خطر نشوب حريق محتمل. إن مناطق تلامس المرحلات توصل تياراً تصل شدته إلى 5 أمبير بدون مصهر. يجب تزويد الأحمال الخارجية التي يتم توصيلها بالمرحلات بأجهزة تحديد تيار ليكون أقل من 5 أمبير.	


⚠ تحذير	
خطر نشوب حريق محتمل. لا تحاول تغيير تسلسل التوصيلات الشائعة لتوصيلات المرحلات أو أسلاك الوصلة من اتصال مصدر الطاقة الرئيسي داخل الجهاز.	

⚠ تحذير	
خطر الصعقات الكهربائية المحتملة. للحفاظ على التصنيف البيئي NEMA/IP الخاص بالحاوية، لا تستخدم سوى تجهيزات الأنابيب وجلب الكبلات ذات تصنيف NEMA 4X/IP66 على الأقل لتوجيه الكبلات داخل الجهاز.	

وحدات تحكم يتم تشغيلها باستخدام خط تيار متردد (100—250 فولت)

حجرة توصيل الأسلاك غير مخصصة لتوصيلات الجهد الذي يزيد عن 250 فولت تيار متردد.

وحدات تحكم يتم تشغيلها باستخدام خط تيار مستمر 24 فولت

⚠ تحذير	
خطر الصعقات الكهربائية المحتملة. وحدات التحكم التي يتم تشغيلها باستخدام مصادر رئيسية للتيار المتردد (115 فولت - 230 فولت) مصممة لتوصيل المرحلات بدوائر المصادر الرئيسية للتيار المتردد (أي الجهد الأكبر من 16 فولت RMS أو 22.6 فولت PEAK أو 35 فولت تيار مستمر).	

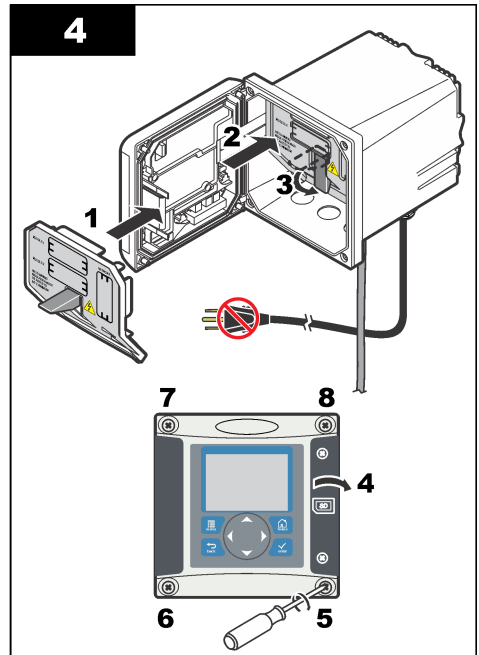
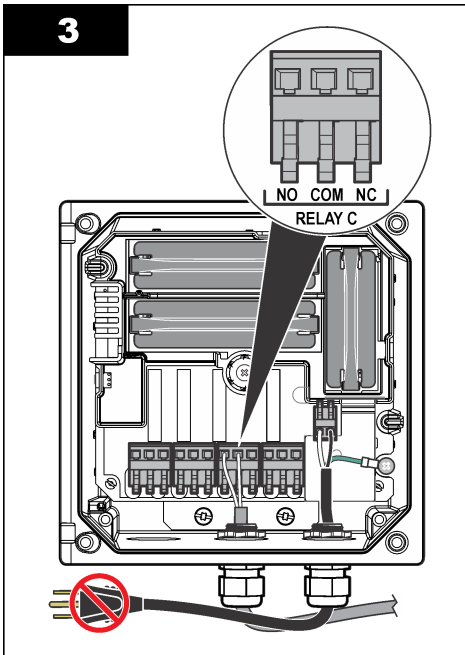
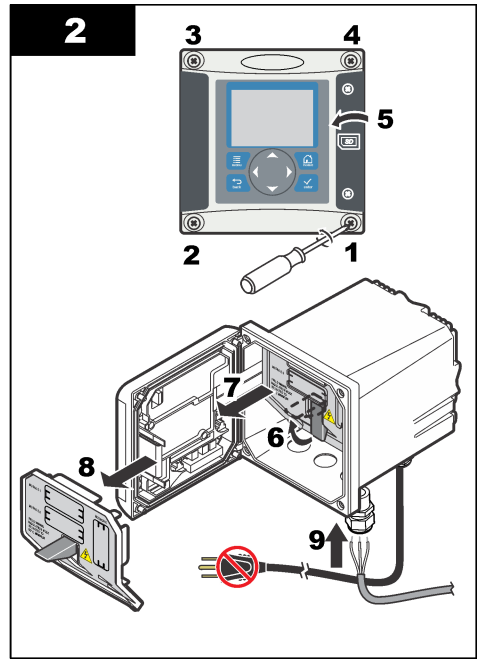
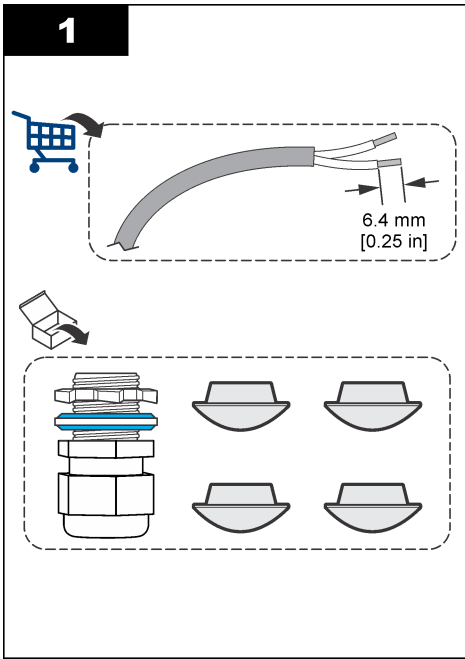
⚠ تحذير	
خطر الصعقات الكهربائية المحتملة. وحدات التحكم التي يتم تشغيلها باستخدام تيار مستمر بجهد 24 فولت مصممة للتوصيل بالدوائر ذات الجهد المنخفض (أي الجهد الأقل من 16 فولت RMS أو 22.6 فولت PEAK أو 35 فولت تيار مستمر).	

ومرحلات وحدات التحكم التي يتم تشغيلها باستخدام تيار مستمر بجهد 24 فولت مصممة للتوصيل بالدوائر ذات الجهد المنخفض (أي الجهد الأقل من 30 فولت RMS أو 42.2 فولت PEAK أو 60 فولت تيار مستمر). حجرة توصيل الأسلاك غير مخصصة لتوصيلات الجهد الأعلى من هذه المستويات.

يقبل موصل المرحل سلكاً بمقاس 18-12 بمعيار السلك الأمريكي (كما هو محدد بواسطة استخدام الحمل). لا يُنصح باستخدام مقاييس سلك أقل من 18 بمعيار السلك الأمريكي.

سيتم توصيل مناطق تلامس المرحل المفتوح عادة (NO) والشائع (COM) عند تنشيط الإنذار أو حالة أخرى. سيتم توصيل مناطق تلامس المرحل المغلق عادة (NC) والشائع في حالة عدم تنشيط الإنذار أو حالة أخرى (ما لم يتم تعيين Fail Safe (الأمان عند الإخفاق) على Yes (نعم)) أو عندما يتم فصل الطاقة عن وحدة التحكم.

تستخدم معظم توصيلات المرحلات إما النهايات الطرفية NO وCOM أو النهايات الطرفية NC وCOM. تعرض خطوات التركيب المرقمة للتوصيل بالنهايات الطرفية NO وCOM.



⚠ تحذير

خطر الصعقات الكهربائية المحتملة. افصل الطاقة دومًا عن الجهاز عند إجراء توصيلات كهربائية.



⚠ تحذير

خطر الصعقات الكهربائية المحتملة. للحفاظ على التصنيف البيئي NEMA/IP الخاص بالحاوية، لا تستخدم سوى تجهيزات الأنابيب وجلب الكيبلات ذات تصنيف NEMA 4X/IP66 على الأقل لتوجيه الكيبلات داخل الجهاز.



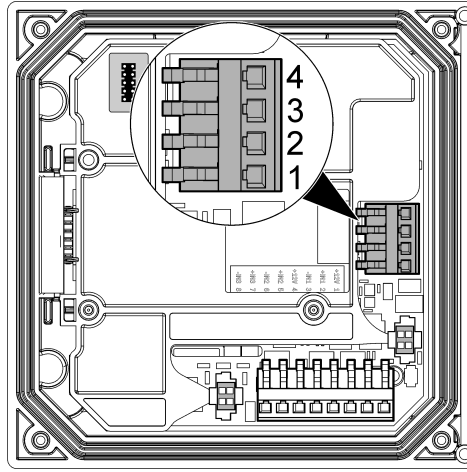
تم توفير مخرجين تناظريين معزولين (1 و 2) (الشكل 8). عادة ما يُستخدم هذان المخرجان لإرسال الإشارات التناظرية أو للتحكم في الأجهزة الخارجية الأخرى.

قم بإجراء التوصيلات السلكية بوحدة التحكم كما هو موضح في الشكل 8 والجدول 3. ملاحظة: يعرض الشكل 8 الجزء الخلفي من غطاء وحدة التحكم، وليس الجزء الداخلي لحجرة وحدة التحكم الرئيسية.

الجدول 3 توصيلات المخرج

موقع لوحة الدوائر الكهربائية	أسلاك المسجل
4	المخرج -2
3	المخرج +2
2	المخرج -1
1	المخرج +1

1. افتح غطاء وحدة التحكم.
2. أدخل الأسلاك عبر مخفف الضغط.
3. اضبط السلك حسب الحاجة وأحكام ربط مخفف الضغط.
4. قم بإجراء التوصيلات باستخدام زوج من الأسلاك المجدولة المغطاة، وصل الجزء المغطى من طرف العنصر الذي يتم التحكم فيه أو من طرف حلقة التحكم.
- تجنب توصيل الجزء المغطى من طرفي الكبل.
- قد يؤدي استخدام كبل غير مغطى إلى انبعاث ترددات لاسلكية أو مستويات عالية من قابلية التأثير أكثر من الحد المسموح به.
- يبلغ الحد الأقصى لمقاومة الحلقة 500 أوم.
5. أغلق غطاء وحدة التحكم، ثم أحكم ربط براغي الغطاء.
6. قم بتكوين المخرج في وحدة التحكم.

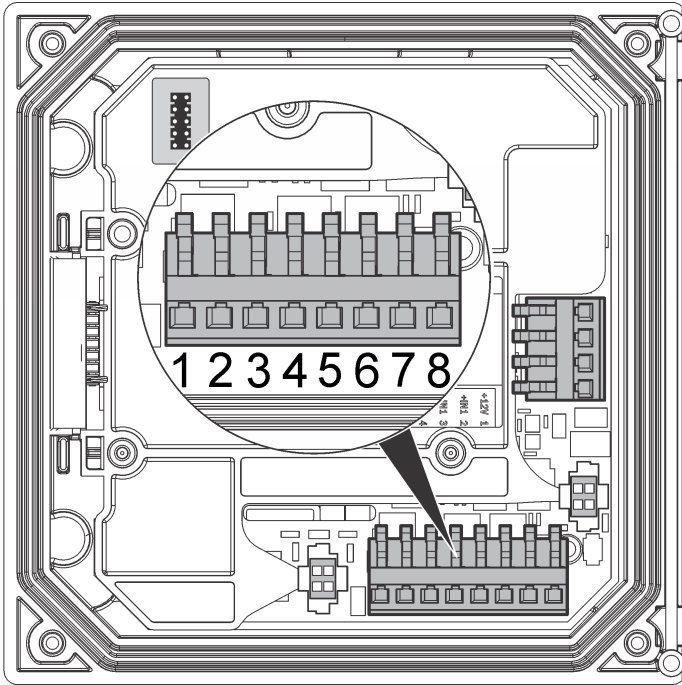


توصيلات أسلاك المدخل المنفصل

⚠ حذري	
خطر الصعقات الكهربائية المحتملة. افصل الطاقة دوماً عن الجهاز عند إجراء توصيلات كهربائية.	
⚠ حذري	
خطر الصعقات الكهربائية المحتملة. للحفاظ على التصنيف البيئي NEMA/IP الخاص بالحاوية، لا تستخدم سوى تجهيزات الأنايب وجلب الكبلات ذات تصنيف NEMA 4X/IP66 على الأقل لتوجيه الكبلات داخل الجهاز.	

تم توفير ثلاثة إدخلات منفصلة لإدخلات مفاتيح الإغلاق أو إدخلات مستوى الجهد المنطقي. قم بإجراء الاتصالات السلكية وتكوين إعدادات الوصلة بوحد التحكم كما هو موضح في الشكل 9 والجدول 4 والشكل 10.

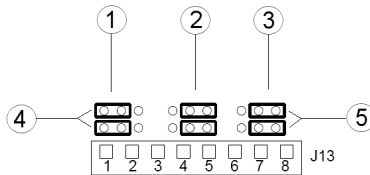
ملاحظة: يعرض الشكل 9 الجزء الخلفي من غطاء وحدة التحكم، وليس الجزء الداخلي لوحدة التحكم الرئيسية.



الجدول 4 توصيلات المدخل

موضع الموصل - إدخال الجهد	موضع الموصل - إدخال المفتاح	المدخلات المنفصلة
2	3	المدخل +1
3	2	المدخل -1
5	6	المدخل +2
6	5	المدخل -2
7	8	المدخل +3
8	7	المدخل -3

الشكل 10 إعدادات الوصلة



1	وصلات تكوين المدخل 1
2	وصلات تكوين المدخل 2
3	وصلات تكوين المدخل 3
4	يتم وضع الوصلات على اليسار لإدخالات المفتاح
5	يتم وضع الوصلات على اليمين لإدخالات الجهد

1. افتح غطاء وحدة التحكم.
2. أدخل الأسلاك عبر جلبة الكبل.
3. اضبط السلك حسب الحاجة وأحكم ربط جلبة الكبل.
4. توجد الوصلات خلف الموصل مباشرة. ازل الموصل لتسهيل الوصول إلى الوصلات وتكوين إعدادات الوصلات وفقًا لنوع المدخل كما هو موضح في الشكل 10.
5. أغلق غطاء وحدة التحكم، ثم أحمك ربط براغي الغطاء.
6. قم بتكوين المدخلات في وحدة التحكم.

ملاحظة: في وضع إدخال المفتاح، توفر وحدة التحكم 12 فولت للمفتاح ولا يتم عزله عن وحدة التحكم. وفي وضع إدخال الجهد، يتم عزل المدخلات عن وحدة التحكم (يمكن للمستخدم إدخال من 0 إلى 30 فولت).

توصيل أداة استشعار SC رقمية

ملاحظة: لتوصيل أداة استشعار تناظرية، راجع الإرشادات المرفقة مع الوحدة أو دليل أداة الاستشعار.

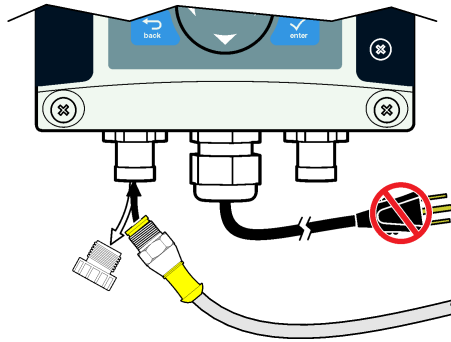
يمكن توصيل أداة استشعار SC رقمية بوحدة التحكم باستخدام التجهيزات الرئيسية للتوصيل السريع (الشكل 11). يمكن توصيل أداة استشعار رقمية أثناء تشغيل وحدة التحكم أو إيقاف تشغيلها.

عند توصيل أداة استشعار أثناء تشغيل وحدة التحكم، فإن وحدة التحكم لا تجري عملية البحث عن جهاز تلقائيًا. ولجعل وحدة التحكم تجري عملية البحث عن جهاز، انتقل إلى القائمة Test/Maintenance (اختبار/صيانة) ثم حدد Scan Devices (البحث عن أجهزة). وإذا تم العثور على جهاز جديد، فإن وحدة التحكم ستجري عملية التركيب دون إجراء إضافي من المستخدم.

عند توصيل أداة استشعار أثناء إيقاف تشغيل وحدة التحكم، فإن وحدة التحكم ستجري عملية البحث عن جهاز عند تشغيلها مرة أخرى. وإذا تم العثور على جهاز جديد، فإن وحدة التحكم ستجري عملية التركيب دون إجراء إضافي من المستخدم.

احفظ غطاء الموصل لإغلاق فتحة الموصل في حالة ضرورة إزالة أداة الاستشعار.

الشكل 11 التوصيل السريع لأداة الاستشعار الرقمية



1.

توصيل مخرج التوصيل الرقمي الاختياري

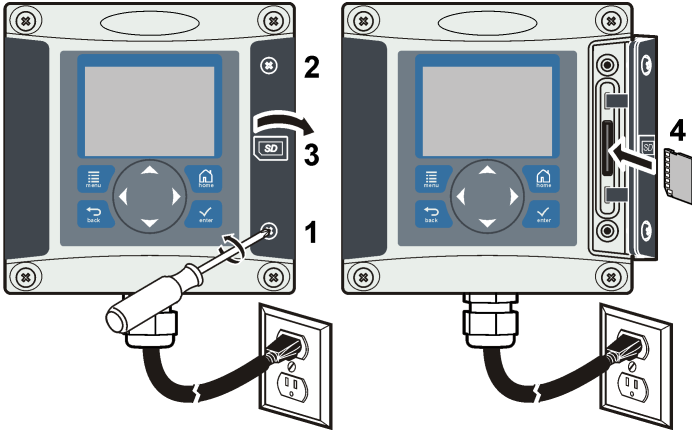
تدعم الشركة المصنعة بروتوكولات الاتصال Modbus RS485 و Modbus RS232 و Profibus DPV1 و HART. لقد تم تركيب وحدة المخرج الرقمي الاختياري في الموقع المشار إليه بالعنصر 4 في الشكل 7 في صفحة 645. راجع الإرشادات المرفقة مع وحدة الشبكة لمزيد من التفاصيل.

للحصول على معلومات حول سجلات Modbus، انتقل إلى <http://www.hach-lange.com> أو <http://www.hach.com> وابحث عن سجلات Modbus أو انتقل إلى أية صفحة لمنتج sc200.

تركيب بطاقة ذاكرة رقمية آمنة (SD)

للحصول على إرشادات حول كيفية تركيب بطاقة SD بحماية التحكم، راجع الشكل 12. يمكن العثور على معلومات حول كيفية استخدام بطاقة ذاكرة SD في الإصدار الموسع من هذا الدليل.

لإزالة بطاقة SD، اضغط على حافة البطاقة لأسفل وحررها، ثم اسحب البطاقة لأعلى وخارج المنفذ. وبعد إزالة البطاقة، أغلق غطاء المنفذ وأحكم ربط براغي الغطاء.

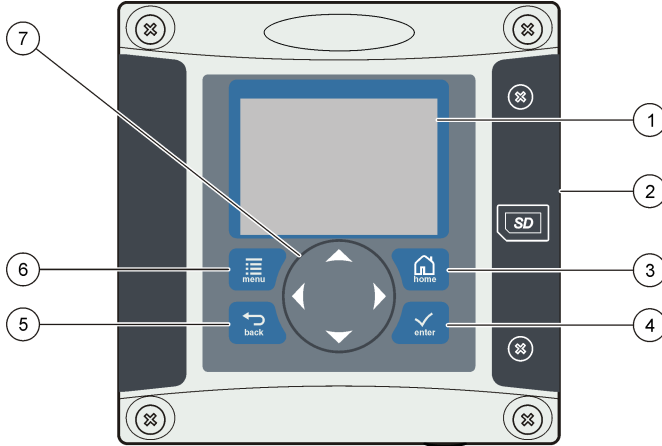


واجهة المستخدم والتنقل

واجهة المستخدم

تتضمن لوحة المفاتيح أربعة مفاتيح للقوائم وأربعة مفاتيح للاتجاهات كما هو موضح في الشكل 13.

الشكل 13 نظرة عامة على لوحة المفاتيح واللوحة الأمامية



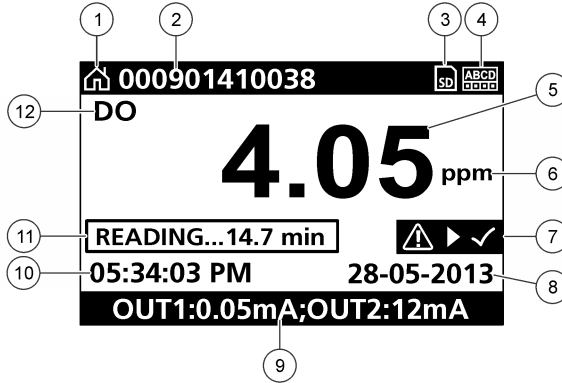
1 شاشة الجهاز	5 المفتاح BACK (للخلف). للانتقال بمقدار مستوى واحد إلى الخلف في بنية القائمة.
2 غطاء لإحكام غلق منفذ بطاقة الذاكرة الرقمية	6 المفتاح MENU (القائمة). للانتقال إلى قائمة Settings (الإعدادات) من الشاشات والقوائم الفرعية الأخرى.
3 المفتاح HOME (الصفحة الرئيسية). للانتقال إلى شاشة القياس الرئيسية من الشاشات والقوائم الفرعية الأخرى.	7 مفاتيح الاتجاهات. يتم استخدامها للتنقل خلال القوائم أو تغيير الإعدادات أو زيادة الأرقام أو تقليلها.
4 المفتاح ENTER (إدخال). للموافقة على قيم المدخلات أو التحديثات أو خيارات القوائم المعروضة.	

يتم إعداد المدخلات والمخرجات وتكوينها عبر اللوحة الأمامية باستخدام لوحة المفاتيح وشاشة العرض. يتم استخدام واجهة المستخدم هذه لإعداد المدخلات والمخرجات وتكوينها وإنشاء معلومات السجلات والقيم المحسوبة ومعايرة أدوات الاستشعار. يمكن استخدام واجهة SD لحفظ السجلات وتحديث البرامج.

شاشة العرض

يعرض الشكل 14 مثالاً لشاشة القياس الرئيسية مع توصيل أداة استشعار DO بوحدة التحكم. تعرض شاشة عرض اللوحة الأمامية بيانات قياس أداة الاستشعار وإعدادات المعايرة والتكوين والأخطاء والتحذيرات والمعلومات الأخرى.

الشكل 14 مثال لشاشة القياس الرئيسية



1	رمز الشاشة الرئيسية	7	شريط حالة التحذير
2	اسم أداة الاستشعار	8	التاريخ
3	رمز بطاقة ذاكرة SD	9	قيم المخرج التناظري
4	مؤشر حالة المرخل	10	الوقت
5	قيمة القياس	11	شريط التقدم
6	وحدة القياس	12	معلمة القياس

الجدول 5 أوصاف الرموز

الرمز	الوصف
الشاشة الرئيسية	قد يختلف الرمز بناءً على الشاشة أو القائمة التي يتم عرضها. على سبيل المثال، إذا تم تركيب بطاقة SD، فإن رمز بطاقة SD يظهر هنا عندما يكون المستخدم في قائمة SD Card Setup (إعداد بطاقة SD).
بطاقة ذاكرة SD	لا يظهر هذا الرمز إلا إذا كانت هناك بطاقة SD في منفذ قارئ البطاقات. وعندما يكون المستخدم في قائمة SD Card Setup (إعداد بطاقة SD)، فإن هذا الرمز يظهر في الجانب الأيسر العلوي.
تحذير	يتألف رمز التحذير من علامة تعجب داخل مثلث. وتظهر رموز التحذير على يمين الشاشة الرئيسية أسفل قيمة القياس. اضغط على المفتاح ENTER، ثم حدد الجهاز لعرض أية مشكلات تتعلق بهذا الجهاز. لن يتم عرض رمز التحذير بعد ذلك بعد تصحيح جميع المشكلات أو الإقرار بها.
خطأ	يتألف رمز الخطأ من علامة تعجب داخل دائرة. عندما يحدث خطأ، يومض رمز الخطأ وشاشة القياس بالتناوب في الشاشة الرئيسية. لعرض الأخطاء، اضغط على مفتاح MENU (القائمة) وحدد Diagnostics (التشخيصات). ثم حدد الجهاز لعرض أية مشكلات تتعلق بهذا الجهاز.

تنسيقات العرض الإضافية

- من شاشة القياس الرئيسية، اضغط على مفتاحي الأسهم لأعلى ولأسفل للتبديل بين معلمات القياس
- من شاشة القياس الرئيسية، اضغط على مفتاح السهم لليمين للتبديل إلى شاشة عرض منفصلة تضم ما يصل إلى 4 من معلمات القياس. ويمكنك الضغط على مفتاح السهم لليمين لوضع قياسات إضافية. كما يمكنك الضغط على مفتاح السهم لليسار حسب الحاجة للعودة إلى شاشة القياس الرئيسية

- من شاشة القياس الرئيسية، اضغط على مفتاح السهم لليسار للتبديل إلى شاشة العرض الرسومية (راجع شاشة العرض الرسومية في صفحة 656 للاطلاع على تعريف المعلامات). يمكنك الضغط على مفتاحي الأسهم لأعلى ولأسفل للتبديل بين الرسوم البيانية الخاصة بالقياس

شاشة العرض الرسومية

يعرض الرسم البياني مقاييس التركيز ودرجات الحرارة لكل قناة قيد الاستخدام. كما يوفر الرسم البياني المراقبة السهلة للاتجاهات ويعرض التغييرات الجارية.

1. من شاشة العرض الرسومية، استخدم مفتاحي الأسهم لأعلى ولأسفل لتحديد رسم بياني، ثم اضغط على مفتاح HOME.
2. حدد أحد الخيارات:

وصف	خيار
تعيين قيمة القياس للفترة المحددة. حدد Auto Scale (ضبط المقياس تلقائيًا) أو Manually Scale (ضبط المقياس يدويًا). لضبط المقياس يدويًا، أدخل الحد الأدنى والحد الأقصى لقيم القياس	MEASUREMENT VALUE (قيمة القياس)
لتحديد نطاق التاريخ والوقت من الخيارات المتاحة	DATE & TIME RANGE (نطاق التاريخ والوقت)

بدء تشغيل النظام

عند بدء التشغيل، تظهر شاشات Language (اللغة) و Date Format (تنسيق التاريخ) و Date/Time (التاريخ والوقت) بالترتيب. بعد تعيين هذه الخيارات، فإن وحدة التحكم ستجري عملية البحث عن أجهزة وستعرض الرسالة **Scanning for devices. Please wait**... (يجري البحث عن أجهزة. الرجاء الانتظار...) وإذا تم العثور على جهاز جديد، فإن وحدة التحكم ستجري عملية التركيب قبل عرض شاشة القياس الرئيسية.

إذا عثر البحث على أجهزة تم تركيبها مسبقًا بدون إجراء تغييرات على التكوين، فإن شاشة القياس الرئيسية الخاصة بالجهاز ستظهر في الموضوع رقم واحد على الفور بعد انتهاء عملية البحث.

إذا تمت إزالة جهاز من وحدة التحكم أو لم يتم العثور عليه أثناء دورة التشغيل التالية أو أثناء إجراء البحث من خلال القائمة، فإن وحدة التحكم ستعرض الرسالة **Device missing** (الجهاز مفقود) وستطالب بحذف الجهاز المفقود.

إذا لم يتم توصيل أداة استشعار بوحدة تناظرية تم تركيبها، فإن وحدة التحكم ستشير إلى وجود خطأ. إذا كانت الأجهزة متصلة ولكن لم يتم العثور عليها بواسطة وحدة التحكم، فراجع **استكشاف الأخطاء وإصلاحها** في صفحة 658.

تعيين اللغة والتاريخ والوقت لأول مرة

تعرض وحدة التحكم شاشات تعديل اللغة والتاريخ والوقت عند تشغيل وحدة التحكم لأول مرة، وعند تشغيلها بعد تعيين إعدادات التكوين على قيمها الافتراضية. وبعد أن يتم تعيين اللغة والتاريخ والوقت لأول مرة، يمكنك تحديث الإعدادات حسب الحاجة عبر القائمة sc200 setup (إعداد sc200).

1. في شاشة Language (اللغة)، حدد إحدى اللغات في قائمة الخيارات، ثم اضغط على المفتاح ENTER. اللغة الإنجليزية هي اللغة الافتراضية لوحدة التحكم. يتم حفظ اللغة المحددة. تظهر شاشة Date Format (تنسيق التاريخ).
2. في شاشة Date Format (تنسيق التاريخ)، حدد تنسيقًا، ثم اضغط على المفتاح ENTER. يتم حفظ تنسيق التاريخ والوقت. ثم تظهر شاشة Date /Time (التاريخ/الوقت).
3. في شاشة Date /Time (التاريخ/الوقت)، اضغط على مفتاحي الأسهم لليمين أو لليسار لتحديد أحد الحقول، ثم اضغط على مفتاحي الأسهم لأعلى ولأسفل لتحديث القيمة الموجودة في الحقل. قم بتحديث الحقول الأخرى حسب الحاجة.
4. اضغط على المفتاح ENTER. يتم حفظ التغييرات وتجري وحدة التحكم عملية البحث عن الأجهزة عند بدء التشغيل. وإذا تم العثور على أجهزة متصلة، فإن وحدة التحكم ستعرض شاشة القياس الرئيسية الخاصة بالجهاز في الموضوع رقم واحد. وإذا فشلت وحدة التحكم في العثور على أجهزة متصلة، فراجع **استكشاف الأخطاء وإصلاحها** في صفحة 658.

معلومات تكوين وحدة التحكم

تم سرد معلومات عامة حول خيارات التكوين في الجدول.

1. للانتقال إلى خيارات القائمة، من قائمة Settings (الإعدادات)، حدد sc200 Setup (إعداد sc200).


خيار	وصف
إعداد الأمان	لتعيين تفضيلات رمز المرور.
إعداد المخرج	لتكوين منافذ المخرج التناظرية لوحدة التحكم
إعداد المرحلة	لتكوين مراحل وحدة التحكم
إعداد الشاشة	لتكوين شاشة وحدة التحكم
ضبط التاريخ/الوقت	لضبط تاريخ ووقت وحدة التحكم
إعداد تسجيل البيانات	لتكوين خيارات تسجيل البيانات. لا يكون هذا الإعداد متاحاً إلا في حالة إعداد الحساب.
إدارة البيانات	حدد الجهاز من قائمة العناصر التي تم تركيبها لعرض البيانات أو سجل الأحداث
وضع الاحتفاظ عند الخطأ	الاحتفاظ بالنتائج — للاحتفاظ بالنتائج عند آخر قيمة معروفة عندما تفقد وحدة التحكم الاتصال بأداة الاستشعار. نقل النتائج — للتبديل إلى وضع النقل عندما تفقد وحدة التحكم الاتصال بأداة الاستشعار. يتم نقل النتائج إلى قيمة محددة مسبقاً.
الحساب	لتكوين الدالة الحسابية لوحدة التحكم
معلومات sc200	إصدار البرامج: — لعرض الإصدار الحالي لبرامج وحدة التحكم إصدار محمّل الإقلاع: — لعرض الإصدار الحالي لمحمّل الإقلاع Bootloader. محمّل الإقلاع هو ملف يعمل على تحميل نظام التشغيل الأساسي لوحدة التحكم الرقم التسلسلي: — لعرض الرقم التسلسلي لوحدة التحكم الإصدار: — لعرض الإصدار الحالي لوحدة التحكم
إعداد المدخل المنفصل	لتكوين قنوات المدخل الثلاث المنفصلة
اللغة	لتعيين اللغة التي يتم استخدامها في وحدة التحكم

2. حدد أحد الخيارات، ثم اضغط على **ENTER** لتنشيط عنصر القائمة.

الصيانة

⚠ تنبيه

مخاطر متعددة. يجب عدم إجراء المهام الموضحة في هذا القسم من المستند إلا بواسطة الموظفين المؤهلين لذلك فقط.



تنظيف وحدة التحكم

⚠ خطر

احرص دوماً على فصل الطاقة عن وحدة التحكم قبل إجراء أنشطة الصيانة.



ملاحظة: لا تستخدم مطلقاً مذيبات قابلة للاشتعال أو كاشطة لتنظيف أي جزء من وحدة التحكم. حيث إن استخدام هذه المذيبات قد يضر بالحماية البيئية الخاصة بالوحدة وقد يؤدي إلى إبطال الضمان.

1. تأكد من إغلاق غطاء وحدة التحكم بإحكام.
2. امسح الجزء الخارجي من وحدة التحكم باستخدام قطعة قماش مبللة بالماء، أو باستخدام خليط من الماء وسائل تنظيف معتدل.

استكشاف الأخطاء وإصلاحها

المشكلة	الحل
	تأكد من صحة تكوين إخراج التيار.
لا يوجد إخراج للتيار	اختبر إشارة إخراج التيار باستخدام القائمة الفرعية Test/Maintenance (اختبار/صيانة). أدخل قيمة للتيار وتأكد من صحة إشارة المخرج في توصيلات وحدة التحكم. اتصل بالدعم الفني.
	تأكد من صحة تكوين إخراج التيار.
إخراج التيار غير صحيح	اختبر إشارة إخراج التيار باستخدام القائمة الفرعية Test/Maintenance (اختبار/صيانة). أدخل قيمة للتيار وتأكد من صحة إشارة المخرج في توصيلات وحدة التحكم. إذا كان المخرج غير صحيح، فقم بإجراء معايرة للإخراج.
	تأكد من إحكام توصيلات المرحل.
	إذا كنت تستخدم مصدر طاقة خارجياً، فتأكد من توصيل أسلاك المرحل بشكل صحيح.
	تأكد من صحة تكوين المرحل.
لم يتم تنشيط المرحل	اختبر تنشيط المرحل عبر القائمة Test/Maintenance (اختبار/صيانة). يجب توصيل التيار بالمرحل وإيقاف توصيله عند التحديد.
	تأكد أن وحدة التحكم ليست في وضع المعايرة وأن المرحل ليس معلقاً.
	أعد تعيين Overfeed Timer (موقت الإفراط) للتأكد من عدم انتهاء الموقت.
	تأكد من تركيب بطاقة SD في الاتجاه الصحيح. يجب أن تكون الخطوط النحاسية في اتجاه شاشة وحدة التحكم.
	تأكد من تركيب بطاقة SD بالكامل في المنفذ وتشغيل زنبرك القفل.
لم يتم التعرف على بطاقة ذاكرة رقمية آمنة (SD) بواسطة وحدة التحكم	تأكد من تهيئة بطاقة SD بشكل صحيح باستخدام نظام تهيئة Fat 32 . نظام تهيئة MMC غير معتمد. اتبع إرشادات الشركة المصنعة للبطاقة لتهيئة بطاقة SD على جهاز كمبيوتر. تأكد أن البطاقة ليست أكبر من 32 جيجابايت.
	تأكد من استخدام بطاقة SD. الأنواع الأخرى (مثل mini SD ، micro SD ، xSD) لن تعمل بشكل صحيح.
	تأكد من تهيئة بطاقة SD بشكل صحيح باستخدام نظام تهيئة Fat 32 . نظام تهيئة MMC غير معتمد. اتبع إرشادات الشركة المصنعة للبطاقة لتهيئة بطاقة SD على جهاز كمبيوتر.
لم يتم حفظ المعلومات أو لا يتم حفظها بشكل صحيح على بطاقة SD.	إذا كانت بطاقة SD تم استخدامها سابقاً، فقم بتهيئتها باستخدام نظام تهيئة Fat 32 ، وأدخل البطاقة في وحدة التحكم، ثم حاول تنزيل الملفات. جرب استخدام بطاقة SD مختلفة.
بطاقة SD ممثلة	اقرأ بطاقة SD باستخدام جهاز كمبيوتر أو جهاز آخر لقراءة البطاقات. احفظ الملفات المهمة، ثم احذف بعض الملفات أو جميعها من بطاقة SD.
	تأكد من إنشاء المجلد المناسب من خلال تركيب بطاقة SD في وحدة التحكم. سيتم إنشاء مجلد التحديث تلقائياً.
لا يمكن لوحدة التحكم العثور على تحديثات البرامج على بطاقة SD.	قم بتركيب بطاقة SD على جهاز كمبيوتر، وتأكد أن ملفات البرامج موجودة في مجلد التحديث المناسب.
	إذا كانت بطاقة SD ذاتها يتم استخدامها مع عدة وحدات تحكم، فإن كل وحدة تحكم سيكون لها مجلد منفصل على النظام. تأكد أن تحديثات البرامج موجودة في المجلد المخصص لوحدة التحكم المستخدمة.
	اضبط مستوى تباين الشاشة
الشاشة مضيئة؛ ولكنها لا تعرض أية حروف أو تعرض الحروف باهتة.	تأكد من إزالة الغشاء الرقيق الواقي من الشاشة.
	قم بتنظيف الجزء الخارجي من وحدة التحكم، بما في ذلك شاشة العرض.

المشكلة	الحل
وحدة التحكم لا تعمل أو يتم تشغيلها بشكل متقطع	تأكد من ضبط النهايات الطرفية لتوصيلات الطاقة للتيار المتردد في وحدة التحكم.
	تأكد من إدخال المشترك الكهربائي وخط الكهرباء ومقيس الحائط بشكل صحيح.
	اتصل بالدعم الفني
لم يتم التعرف على وحدة الشبكة أو أداة الاستشعار	تأكد من تركيب الوحدة بشكل صحيح.
	تأكد من تعيين مفتاح تحديد الوحدة على الرقم الصحيح.
	قم بإزالة وحدة أداة الاستشعار وتركيبها في المنفذ التناظري الآخر. قم بتوصيل الطاقة بوحدة التحكم والسماح لها بإجراء عملية البحث عن أجهزة.
	اتصل بالدعم الفني.
لم يتم التعرف على أداة الاستشعار ملاحظة: مثال للرسالة المحتمل عرضها: ****	إذا كانت أداة الاستشعار أداة استشعار تناظرية وتم تركيب الوحدة المناظرة في وحدة التحكم، فراجع الإرشادات المرفقة بوحدة الشبكة أو وحدة أداة الاستشعار.
	تأكد من إدخال وصلة أسلاك الموصل الرقمي داخل مجموعة الباب وأن وصلة الأسلاك غير تالفة.
	إذا تم توصيل أداة استشعار رقمية بوحدة التحكم باستخدام صندوق توصيل أطراف رقمي أو صندوق ربط يوفره المستخدم أو كبلات تمديد رقمية أو كبل تمديد يوفره المستخدم، فقم بتوصيل أداة الاستشعار مباشرة بوحدة التحكم وإجراء عملية البحث عن جهاز. في حالة تعرف وحدة التحكم على أداة الاستشعار، تأكد من صحة توصيل جميع الأسلاك في صناديق الربط وكبلات التمديد.
	تأكد من تركيب أداتي استشعار فقط بوحدة التحكم. بالرغم من توفر منفذين لوحدتين تناظريتين، فإذا تم تركيب أداة استشعار رقمية ووحدين تناظريتين، فلن تتم مشاهدة سوى جهازين من الثلاثة بواسطة وحدة التحكم.
	اتصل بالدعم الفني
	قم بإجراء عملية Device Scan (بحث عن جهاز) من القائمة Test/Maintenance (اختبار/صيانة).
تظهر رسالة الخطأ Device Missing (الجهاز مفقود)	أعد تشغيل وحدة التحكم



HACH COMPANY World Headquarters

P.O. Box 389, Loveland, CO 80539-0389 U.S.A.
Tel. (970) 669-3050
(800) 227-4224 (U.S.A. only)
Fax (970) 669-2932
orders@hach.com
www.hach.com

HACH LANGE GMBH

Willstätterstraße 11
D-40549 Düsseldorf, Germany
Tel. +49 (0) 2 11 52 88-320
Fax +49 (0) 2 11 52 88-210
info@hach-lange.de
www.hach-lange.de

HACH LANGE Sàrl

6, route de Compois
1222 Vézenaz
SWITZERLAND
Tel. +41 22 594 6400
Fax +41 22 594 6499