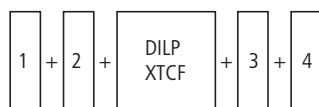
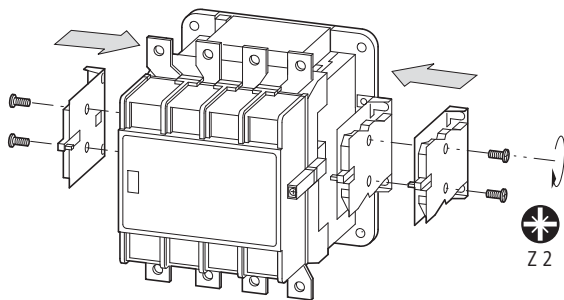
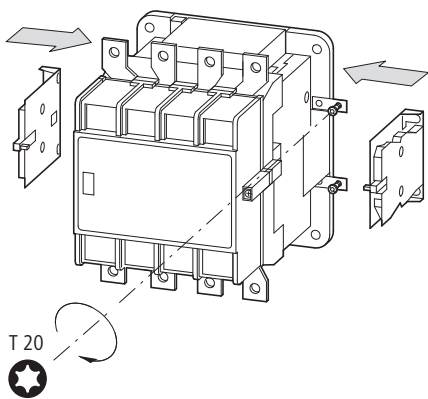


**DILP250/22, XTCFA250L22**  
**DILP315/22, DILP500/22, XTCFA315M22, XTCFA500N22**  
**DILP630/22, DILP800/22, XTCFA630N22, XTCFA800N22**

+  
**DILP...-XHB, XTCFAXTS...**  
**DILP...-XMV, XTCFAXML...**  
**DILP800-XHI-..., XTCFAXS...N11**

**1**



	1	2	3	4
DILP250, XTCFA250L DILP315, XTCFA315M DILP500, XTCFA500N DILP630, XTCFA630N DILP800, XTCFA800N	DILP800-XHI-SA XTCFAXSCN11	DILP800-XHI-SI XTCFAXSBN11	DILP800-XHI-SI XTCFAXSBN11	DILP800-XHI-SA XTCFAXSCN11

(en) **Electric current! Danger to life!**

Only skilled or instructed persons may carry out the following operations.

(de) **Lebensgefahr durch elektrischen Strom!**  
Nur Elektrofachkräfte und elektrotechnisch unterwiesene Personen dürfen die im Folgenden beschriebenen Arbeiten ausführen.

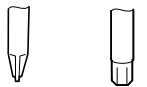
(fr) **Tension électrique dangereuse !**  
Seules les personnes qualifiées et averties doivent exécuter les travaux ci-après.

(es) **¡Corriente eléctrica! ¡Peligro de muerte!**  
El trabajo a continuación descrito debe ser realizado por personas cualificadas y advertidas.

(it) **Tensione elettrica: Pericolo di morte!**  
Solo persone abilitate e qualificate possono eseguire le operazioni di seguito riportate.

(zh) **触电危险!**  
只允许专业人员和受过专业训练的人员进行下列工作。

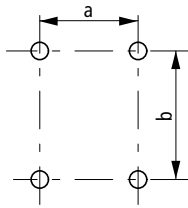
(ru) **Электрический ток! Опасно для жизни!**  
Только специалисты или проинструктированные лица могут выполнять следующие операции.



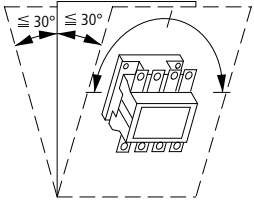
Z 2      T 15  
T 20

## 2

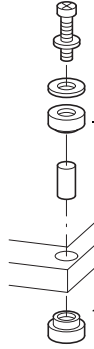
- en Mounting position
- de Einbaulage
- fr Position de montage
- es Posición de montaje
- it Posizione di montaggio
- zh 安装位置
- ru Положение установки



	a	b	a	b	
	[mm]		[inch]		
DILP250, XTCFA250L	120	140	4.72	5.51	4 x M6
DILP315, XTCFA315M	160	140	6.30	5.51	4 x M6
DILP500, XTCFA500N	220	200	8.66	7.87	4 x M6 x 30
DILP630, XTCFA630N	220	200	8.66	7.87	4 x M6 x 30
DILP800, XTCFA800N	220	200	8.66	7.87	4 x M6 x 30



4 x M6 x 30

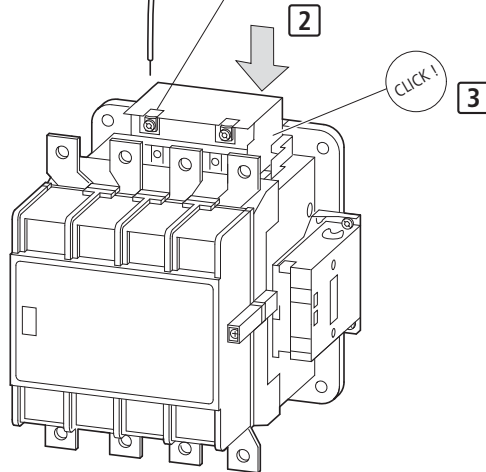
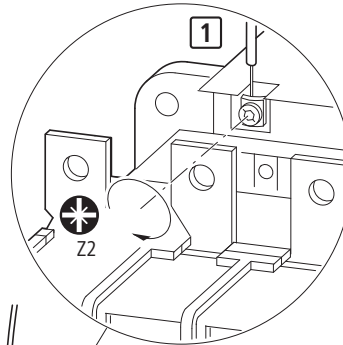
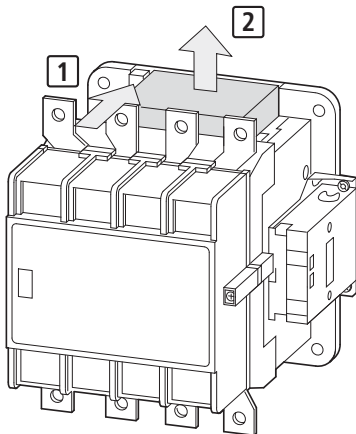


DILP500, XTCFA500N  
DILP630, XTCFA630N  
DILP800, XTCFA800N

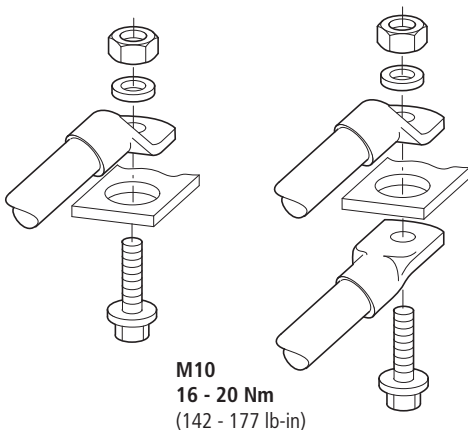
- en Fitting damping elements
- de Dämpfungs-Elemente
- fr Elements amortisseurs
- es Elementos amortizadores
- it Elemento ammortizzatore
- zh 减振器元件
- ru демпфирующие элементы

## 3

DILP250, XTCFA250L  
DILP315, XTCFA315M



## 4

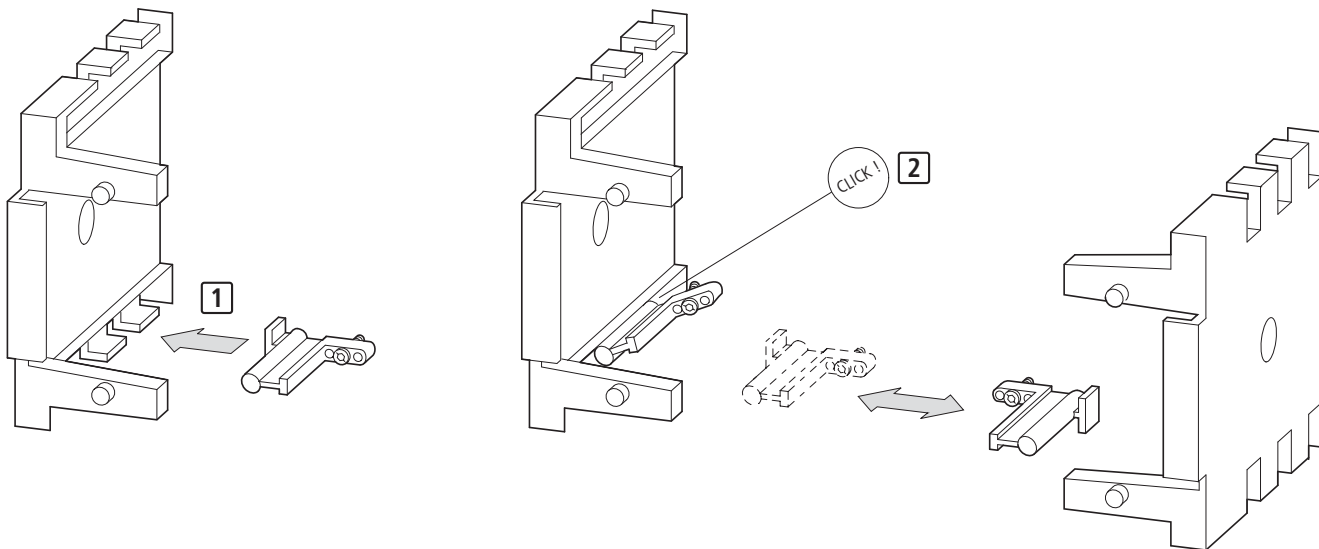


M10  
16 - 20 Nm  
(142 - 177 lb-in)

10/10 IL03407021Z

**1** DILP...-XHB, XTCFAXTS...

DILP250, XTCFA250L	DILP250-XHB, XTCFAXTSL
DILP315, XTCFA315M	DILP315-XHB, XTCFAXTSM
DILP500, XTCFA500N	DILP800-XHB, XTCFAXTSN
DILP630, XTCFA630N	
DILP800, XTCFA800N	



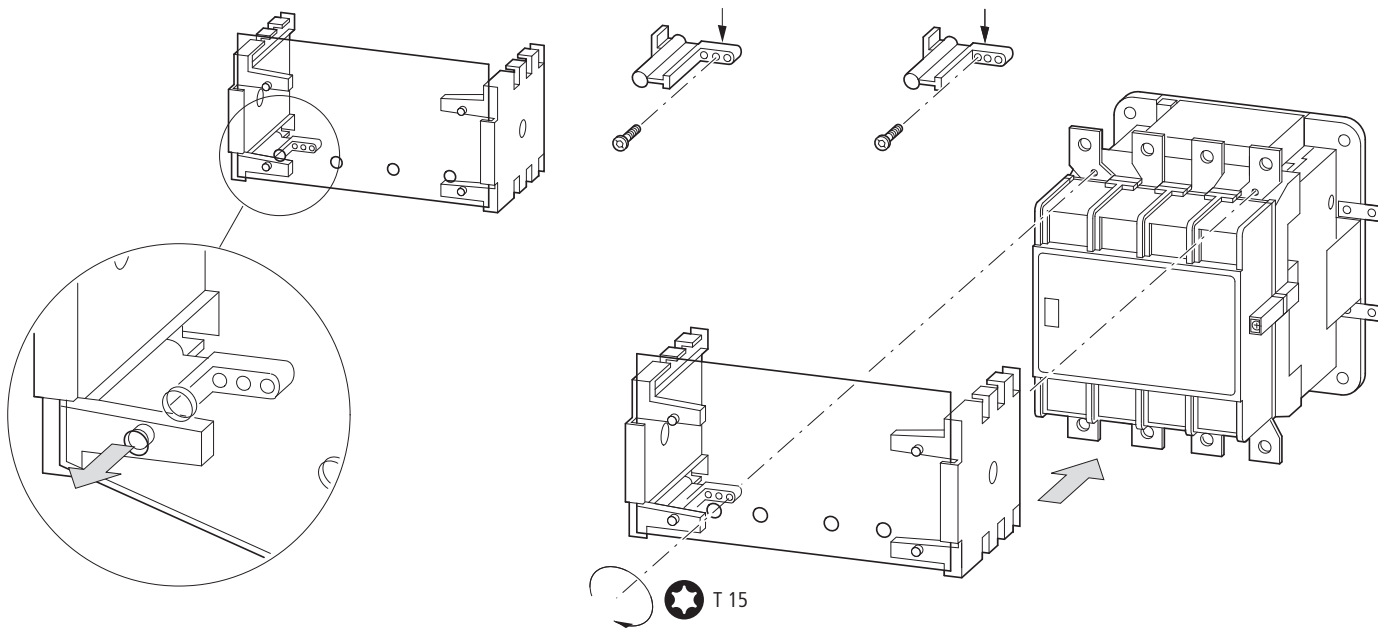
**2**

**3**

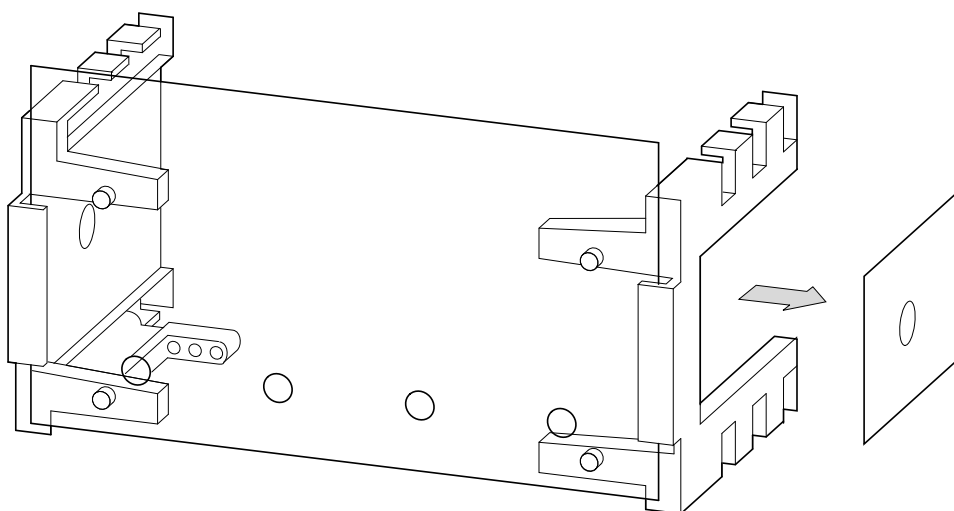
DILP315, XTCFA315M  
 DILP500, XTCFA500N  
 DILP630, XTCFA630N  
 DILP800, XTCFA800N

DILP250, XTCFA250L

10/10 IL03407021Z



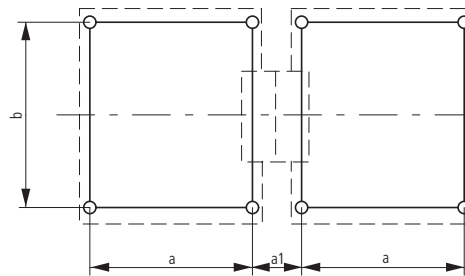
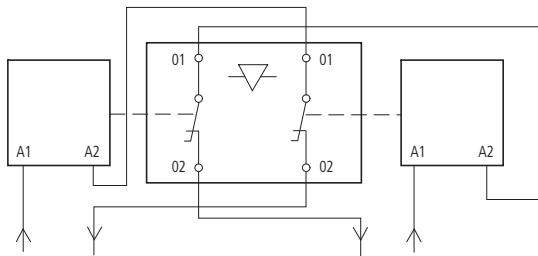
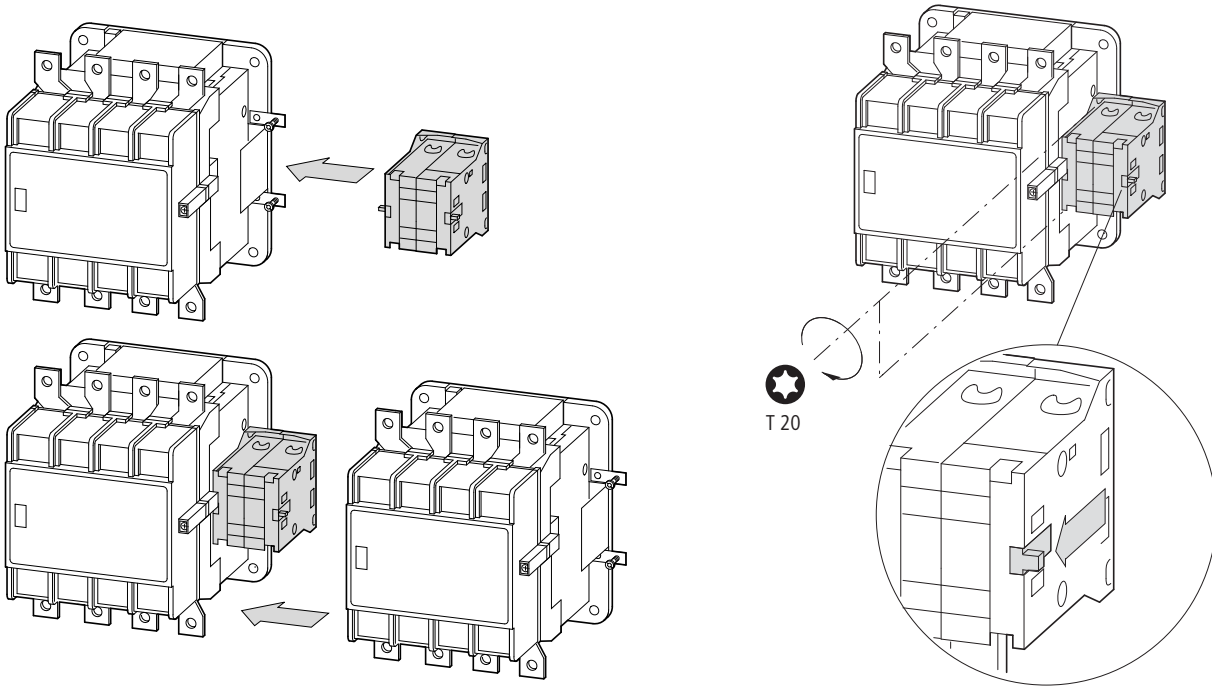
**4**



DILP...-XMV, XTCFAXML...

1

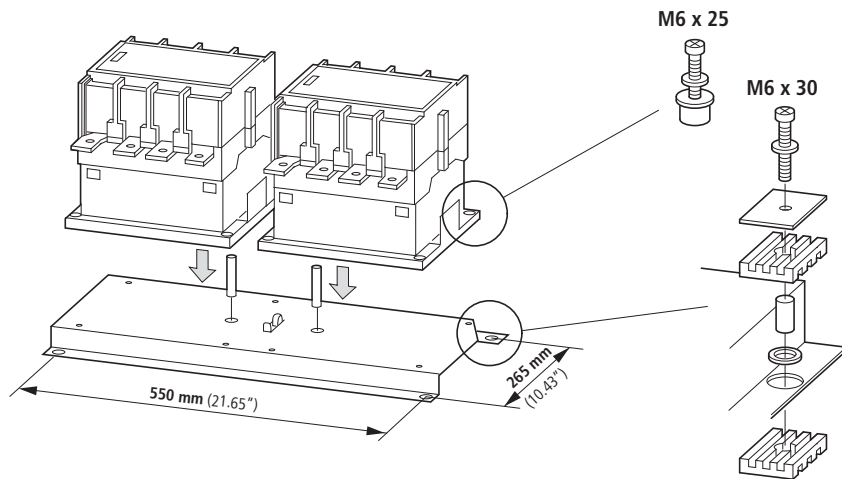
DILP250, XTCFA250L  
DILP315, XTCFA315M



	a	a1	b	a	a1	b	
	[mm]			[inch]			
DILP250, XTCFA250L	120	65	140	4.72	2.56	5.51	DILP250-XMV, XTCFAXMLL
DILP315, XTCFA315M	160	63.5	140	6.30	2.50	5.51	DILP315-XMV, XTCFAXMLM

2

DILP500, XTCFA500N  
DILP630, XTCFA630N  
DILP800, XTCFA800N



DILP500, XTCFA500N	DILP800-XMV, XTCFAXMLN
DILP630, XTCFA630N	DILP800-XMV, XTCFAXMLN
DILP800, XTCFA800N	DILP800-XMV, XTCFAXMLN

10/10 IL03407021Z