

SIEMENS

Undervoltage Release
Bobina de mínima tensión
Déclencheur à manque de tension

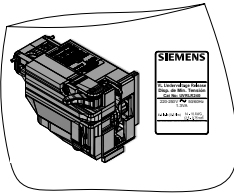
Item:	U.S. Cat. No.	Euro Order No.	U.S. Cat. No.	Euro Order No.
UVRLA12DC	3VL9400-1UN01		UVRL24	3VL9400-1UD01
UVRLB24DC	3VL9400-1UP01		UVRLN120	3VL9400-1UG01
UVRLC48DC	3VL9400-1UU01		UVRLR240	3VL9400-1UH01
UVRLG60DC	3VL9400-1UV01		UVRLP208	3VL9400-1UM01
UVRLD125DC	3VL9400-1UR01		UVRLS277	3VL9400-1UQ01
UVRLE250DC	3VL9400-1US01		UVRLT415	3VL9400-1UJ01
			UVRLU480	3VL9400-1UK01
			UVRLW525	3VL9400-1UL01
			UVRLV600	3VL9400-1UT01

For Use With Frame CG, DG, FG, JG, LG
Para Usar Con Caja Base CG, DG, FG, JG, LG

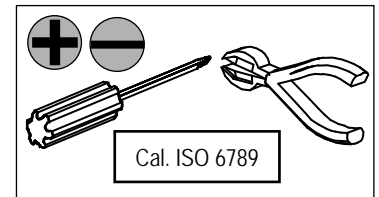
Installation Instructions / Instructivo de Instalación

	 Danger	 Peligro	 Danger
	Hazardous Voltage. Will cause death or serious injury.	Tensión peligrosa. Puede causar la muerte o lesiones graves.	Tension dangereuse. Danger de mort ou risque de blessures graves.
	Turn off and lock out all power supplying this device before working on this device. Replace all covers before power supplying this device is turned on.	Desenergice totalmente antes de instalar o darle servicio. Vuelva a colocar todas las cubiertas antes de energizar el interruptor.	Couper l'alimentation de l'appareil et le verrouiller avant de le mettre en service. Enlever tous les recouvrements avant de mettre sous tension l'appareil.

Use only with Siemens certified Components.
Utilizar únicamente con componentes certificados de Siemens.
A utiliser uniquement avec les composants certifiés Siemens.

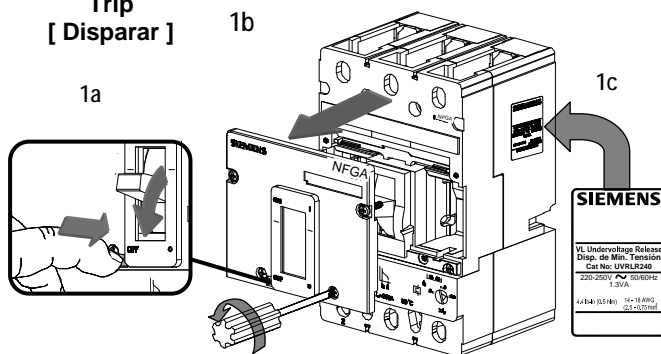


UVRLA12DC	3VL9400-1UN01 = 12V	} V ---
UVRLB24DC	3VL9400-1UP01 = 24V	
UVRLC48DC	3VL9400-1UU01 = 48V	
UVRLG60DC	3VL9400-1UV01 = 60V	
UVRLD125DC	3VL9400-1UR01 = 110-127V	
UVRLE250DC	3VL9400-1US01 = 220-250V	
UVRL24	3VL9400-1UD01 = 24 V	} V ~ 50 / 60 HZ
UVRLN120	3VL9400-1UG01 = 110-127V	
UVRLR240	3VL9400-1UH01 = 220-250V	
UVRLP208	3VL9400-1UM01 = 208V	
UVRLS277	3VL9400-1UQ01 = 277V	
UVRLT415	3VL9400-1UJ01 = 380-415V	
UVRLU480	3VL9400-1UK01 = 440-480V	
UVRLW525	3VL9400-1UL01 = 500-525V	
UVRLV600	3VL9400-1UT01 = 600V	



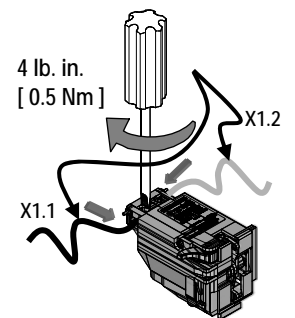
1

Trip
[Disparar]

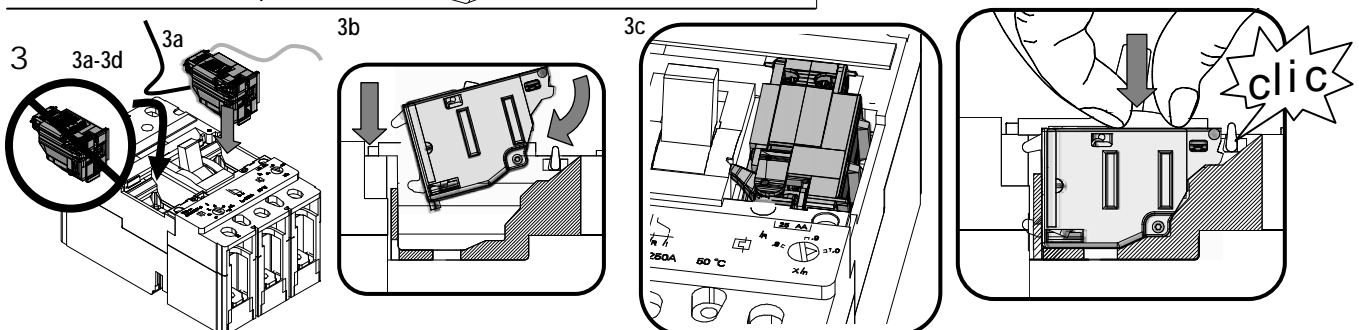


2

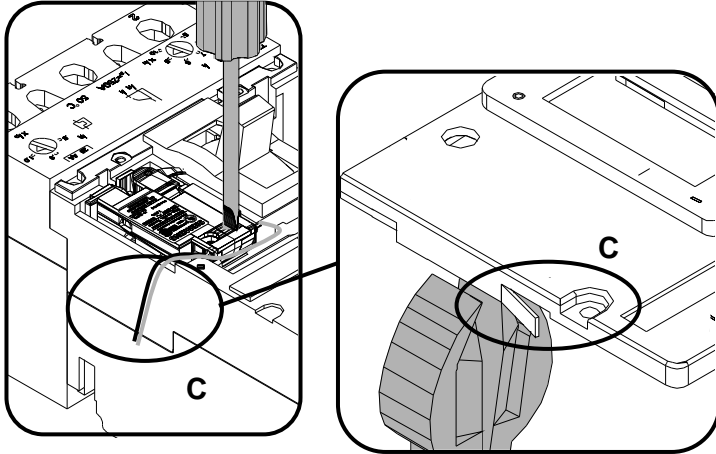
18 AWG
[0.75 mm²]
.39
[10 mm]



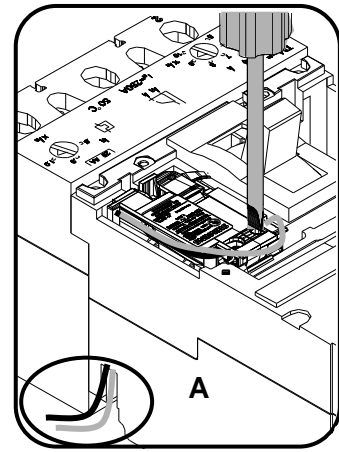
3d



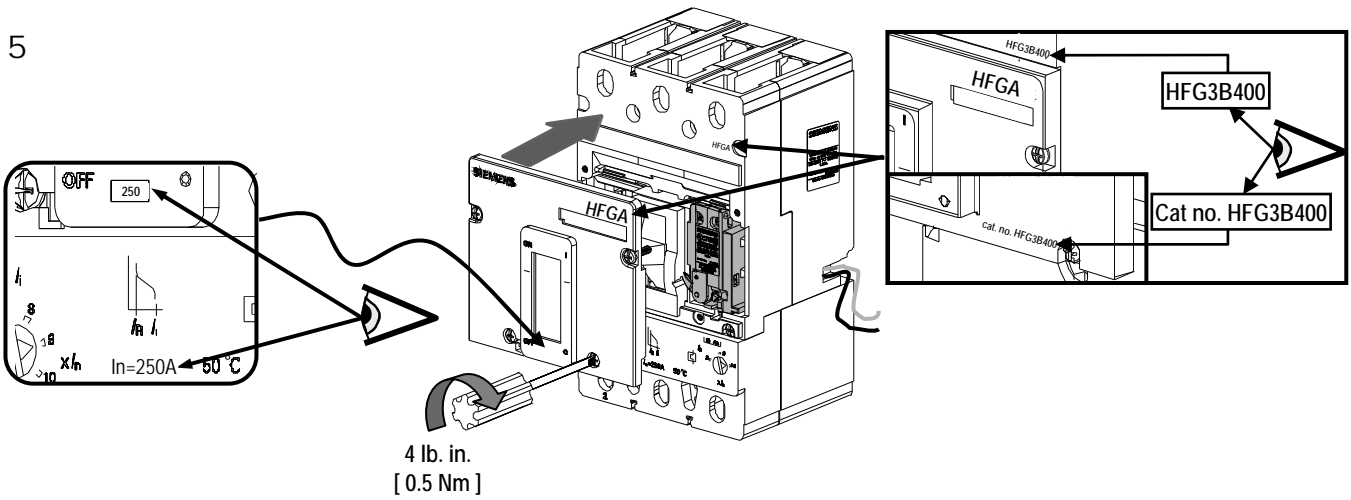
4 Option A
 [Opción A] 4 lb. in.
 [0.5 Nm]



Option B
 [Opción B] 4 lb. in.
 [0.5 Nm]



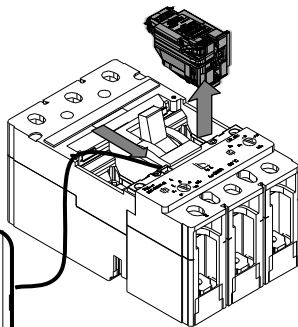
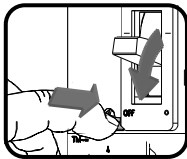
5



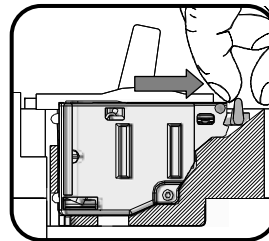
Removal
 [Remover]

1

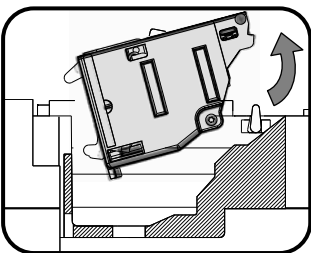
Trip
 [Disparar]



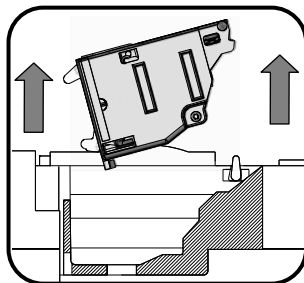
2



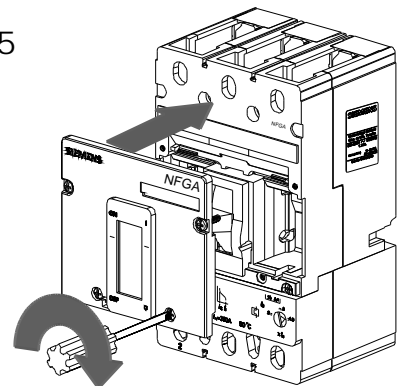
3



4



5





Danger

Hazardous Voltage.
Will cause death or serious injury.

Turn off and lock out all power supplying this device before working on this device.
Replace all covers before power supplying this device is turned on.

Peligro

Tensión peligrosa.
Puede causar la muerte o lesiones graves.

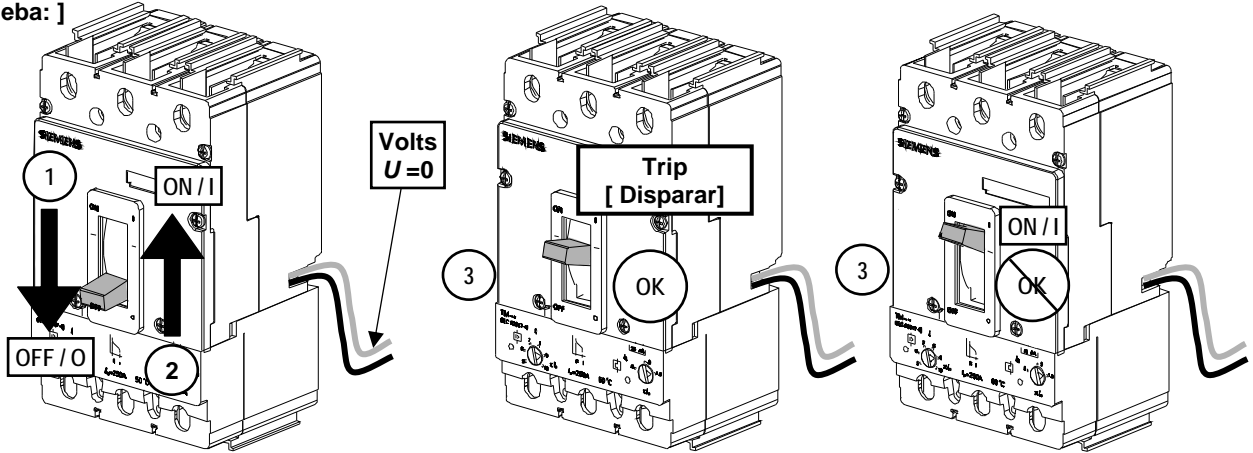
Desenergice totalmente antes de instalar o darle servicio.
Vuelva a colocar todas las cubiertas antes de energizar el interruptor.

Danger

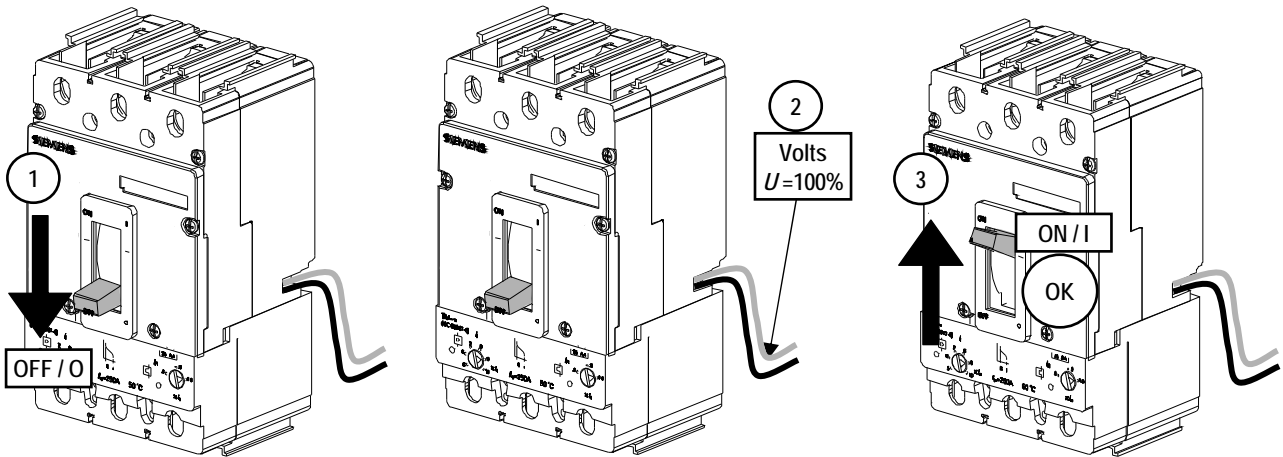
Tension dangereuse.
Danger de mort ou risque de blessures graves.

Couper l'alimentation de l'appareil et le verrouiller avant de le mettre en service.
Enlever tous les recouvrements avant de mettre sous tension l'appareil.

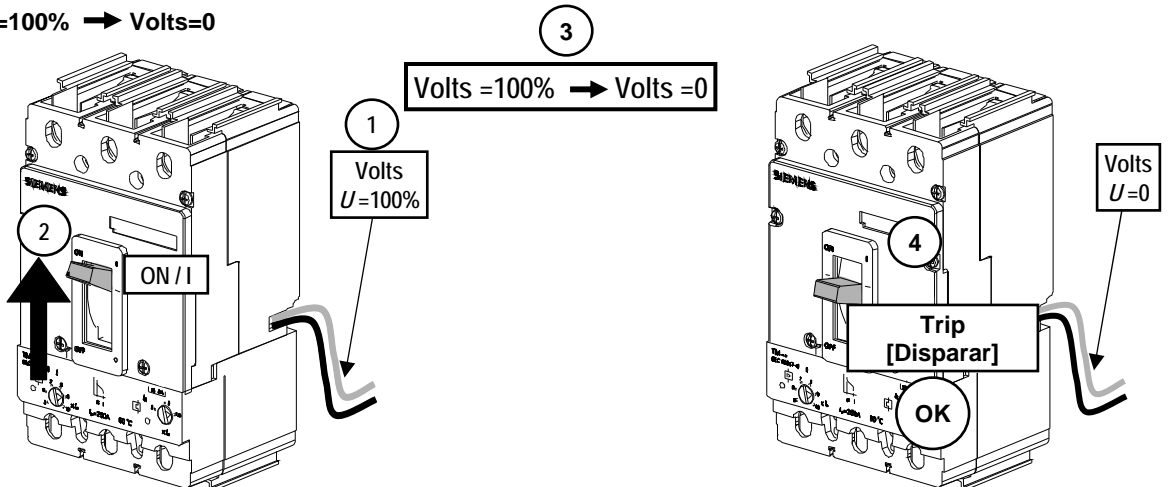
1 Test: Volts=0 [Prueba:]



2 Test: Volts=100% [Prueba:]



3 Test: Volts =100% → Volts=0 [Prueba:]



For Support in Europe refer to :

Bestell-Nr. / Order No.: 3ZX1012-0VL68-1AA4

Internet: www.siemens.de/lowvoltage/technical-assistance

GWA 4NEB 179 6823-30 DS 02

Technical Support:

Toll Free: 1-800-964-4114

Internet: www.sea.siemens.com

Subject to change without prior notice

Siemens Energy & Automation Inc. , Alpharetta, GA U.S.A.

3 / 3

© Siemens Energy & Automation Inc. 2007

806823A01