

# Ultrasonic Transducers

XRS-5

Quick Start Manual · 12/2013



**SIEMENS**



# Echomax XRS-5 Quick Start Manual

This manual outlines the essential features and functions of the Echomax XRS-5 transducer. This manual, and the *Transducer Applications Manual*, are also available on our website: [www.siemens.com/processautomation](http://www.siemens.com/processautomation). Printed copies are available from your local Siemens Milltronics representative.

## Questions about the contents of this manual can be directed to:

Siemens Milltronics Process Instruments  
1954 Technology Drive, P.O. Box 4225  
Peterborough, Ontario, Canada, K9J 7B1  
Email: [techpubs.smpi@siemens.com](mailto:techpubs.smpi@siemens.com)

## European Authorized Representative

Siemens AG  
Industry Sector  
76181 Karlsruhe  
Deutschland

### Copyright Siemens Milltronics Process Instruments 2013. All Rights Reserved

### Disclaimer of Liability

We encourage users to purchase authorized bound manuals, or to view electronic versions as designed and authored by Siemens Milltronics Process Instruments. Siemens Milltronics Process Instruments will not be responsible for the contents of partial or whole reproductions of either bound or electronic versions.

While we have verified the contents of this manual for agreement with the instrumentation described, variations remain possible. Thus we cannot guarantee full agreement. The contents of this manual are regularly reviewed and corrections are included in subsequent editions. We welcome all suggestions for improvement.

Technical data subject to change.

MILLTRONICS is a registered trademark of Siemens Milltronics Process Instruments

## Safety Guidelines

Warning notices must be observed to ensure personal safety as well as that of others, and to protect the product and the connected equipment. These warning notices are accompanied by a clarification of the level of caution to be observed.



**WARNING:** relates to a caution symbol on the product, and means that failure to observe the necessary precautions can result in death, serious injury, and/or considerable material damage.



**WARNING:** means that failure to observe the necessary precautions can result in death, serious injury, and/or considerable material damage.

**CAUTION:** means that failure to observe the necessary precautions can result in considerable material damage.

**Note:** means important information about the product or that part of the operating manual.

# Introduction

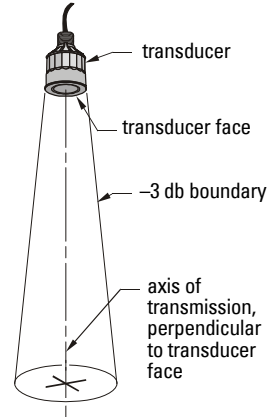
**This product is intended for use in industrial areas. Operation of this equipment in a residential area may cause interference to several frequency based communications.**

The Echomax XRS-5 series of transducers operate with Siemens Milltronics ultrasonic level monitoring products.

The transducer converts the electrical energy of the transmit pulse from the transceiver into acoustical energy. It then converts the acoustical energy of the echo back into electrical energy for the controller.

The transducer face emits acoustical energy that radiates outward, decreasing in amplitude at a rate inversely proportional to the square of the distance. Maximum power radiates perpendicularly from the transducer face on the axis of transmission. Where power is reduced by half ( $-3$  dB), a conical boundary centered around the axis of transmission defines the sound beam, the diameter of which is the beam angle.

The XRS-5 series transducers have an integrated temperature sensor that reports the air temperature at the transducer to the controller.







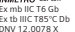


# Instructions specific to hazardous area installations (Reference European ATEX Directive 94/9/EC, Annex II, 1/0/6)

The following instructions apply to equipment covered by certificate number  
SIRA 99ATEX5091X.

1. The equipment may be used with flammable gases and vapors with the Apparatus Group II and with Temperature class T1 to T6.
2. The equipment has a temperature class of T85 °C and may be used with flammable dusts.
3. The equipment is certified for use in an ambient temperature range of -20 °C to +65 °C.
4. The equipment has not been assessed as a safety related device as referred to by EC Directive 94/9/EC Annex II, clause 1.5.
5. The certificate has a 'X' suffix, which indicates that special conditions of installation and use apply. Those installing or inspecting this equipment must have access to the contents of the certificate.
6. The apparatus shall only be supplied from a circuit containing a suitably rated fuse having a breaking capacity of at least 1500A.
7. Installation and inspection of this equipment shall be carried out by suitably trained personnel in accordance to the applicable code of practice (EN 60079-14 and EN 60079-17 within Europe).
8. The equipment is non-repairable.
9. The certification of this equipment relies upon the following materials used in its construction:
  - Norton Performance Plastics Chemgrip bonding compound
  - ETFE housing material
  - PVDF housing material
  - Dow-Corning 3-4207 encapsulant
  - Royal EPOCAP 42174/52174
  - Cotronics Durapot 864 encapsulant
10. If the equipment is likely to come into contact with aggressive substances, then it is the responsibility of the user to take suitable precautions that prevent it from being adversely affected, thus ensuring that the type of protection is not compromised.
  - Aggressive substances: for example, acidic liquids or gases that may attack metals, or solvents that may affect polymeric materials.
  - Suitable precautions: for example, establishing from the material's data sheet that it is resistant to specific chemicals.

## XRS-5

<b>SIEMENS</b>				
XRS-5 ULTRASONIC TRANSDUCER Serial No: GYZ / A1034567 Ambient Temp.: -20 °C to 65 °C V in: 1.77 V r.m.s., 250 V p I in: 44.2 mA r.m.s.		Class I, Zone 1 AEx m IIC T6 IP68 Class II, III, Div 1, Group E, F, G Per Dwg.: 0-8650003Z-DI-A Max. Torque: 12 Ft-Lbs	 0518	 II 2 G D Ex mb IIC T6 Gb Ex tb IIC T85 °C Db SIRA 99ATEX5091X IECEx SIR 09.0005X
 159134	Class I, Div 2, Group A, B, C, D Class II, Div 1, Group E, F, G IP66 / IP68 (ZM)	 WARNING: Static Hazard, Do Not Rub With Dry Cloth.	<b>Segurança</b>  KCC-REM-549 Echomax  Ex mb IIC T6 Gb Ex tb IIC T85 °C Db DN1 12.0078-X ATENÇÃO - RISCO POTENCIAL DE CARGA ELETROSTÁTICA - VEJA INSTRUÇÕES	
Siemens Milltronics Process Instruments, Peterborough				

### Note:

- Product configuration number shown for example only.
- Serial number shown for example only.

# Specifications

		XRS-5	XRS-5C
<b>Process Application</b>			
<b>Application</b>		Liquids and Slurries	Liquids and Slurries
<b>Measurement Range</b>		0.3 - 8 m (1 - 26 ft)	0.3 - 8 m (1 - 26 ft)
<b>Vessel Pressure</b>		Vented to atmosphere	Vented to atmosphere
<b>Operation</b>			
<b>Beam Angle</b>		10	10
<b>Frequency</b>		43 KHz	43 KHz
<b>Temperature Sensor</b>		Internal	Internal
<b>Supply Source</b>		Transducer shall only be supplied by Siemens certified controller	Transducer shall only be supplied by Siemens certified controller
<b>Environmental</b>			
<b>Location</b>		indoor/outdoor	indoor/outdoor
<b>Ambient Temperature</b>		-20 to 65 °C (-4 to 149 °F)	-20 to 65 °C (-4 to 149 °F)
<b>Maximum Altitude</b>		2000 m	2000 m
<b>Pollution Degree</b>		4	4
<b>Construction</b>			
<b>Housing</b>		<ul style="list-style-type: none"> <li>PVDF body and CSM face</li> </ul>	<ul style="list-style-type: none"> <li>PVDF body and CSM face</li> <li>Stainless steel conduit connection</li> </ul>
<b>Mounting</b>		1" NPT or BSP conduit connection	1" NPT conduit connection
<b>Cabling</b>			
<b>Cable Type</b>		2-wire shielded/twisted, 0.5mm <sup>2</sup> (18 AWG) PVC jacket	2-wire shielded/twisted, 0.5mm <sup>2</sup> (18 AWG) PVC jacket
<b>Maximum Separation from Transceiver</b>		<ul style="list-style-type: none"> <li>365 m (1200 ft) using RG-62 A/U coaxial cable</li> <li>365 m (1200 ft) using 2-wire twisted pair/braided and foil shielded 20 AWG (0.5mm<sup>2</sup>), PVC jacket (SITRANS LUT400, SITRANS LUC500, MultiRanger 100/200, and HydroRanger 200 only)</li> </ul>	<ul style="list-style-type: none"> <li>365 m (1200 ft) using RG-62 A/U coaxial cable</li> <li>365 m (1200 ft) using 2-wire twisted pair/braided and foil shielded 20 AWG (0.5mm<sup>2</sup>), PVC jacket (SITRANS LUT400, SITRANS LUC500, MultiRanger 100/200, and HydroRanger 200 only)</li> </ul>

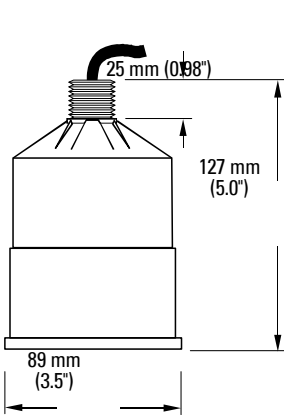
Miscellaneous		
<b>Ingress Protection</b>	IP68	IP68
<b>Weight<sup>1</sup></b>	1.2 kg (2.6 lb)	1.2 kg (2.6 lb)
<b>Options</b>	<ul style="list-style-type: none"> <li>• Factory flanged to suit ANSI, DIN, or JIS standard</li> <li>• Split flange (field mount) to suit ANSI, DIN, or JIS standard</li> <li>• Submergence shield (flooding applications)</li> </ul>	<ul style="list-style-type: none"> <li>• Factory flanged to suit ANSI, DIN, or JIS standard</li> <li>• Split flange (field mount) to suit ANSI, DIN, or JIS standard</li> <li>• Submergence shield (flooding applications)</li> </ul>
<b>Approvals</b>	CE <sup>2</sup> , CSA, FM, IECEx/ATEX: INMETRO DNV 12.0078 X Ex mb IIC T6 Gb Ex tb IIIC T85°C Db IP66/IP68 -20 °C ≤ Ta ≤ +65 °C DNV #OCP 0017 ABNT NBR IEC 60079-0:2008, ABNT NBR IEC 60079-18:2010 and ABNT NBR IEC 60079-31:2011	CSA, see device nameplate

1. Approximate shipping weight of transducer with standard cable length.
2. EMC performance available upon request.

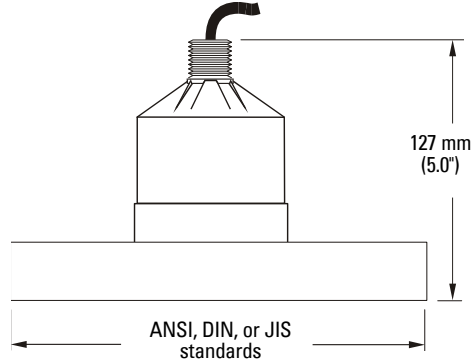
# Installation

## Outline and Dimensions

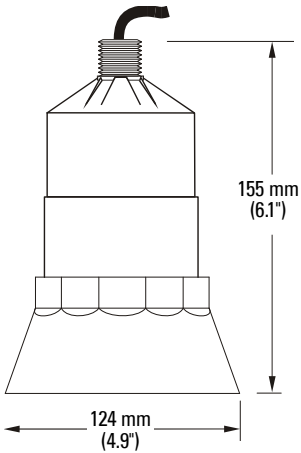
### Standard



### Flange (optional)



### Submergence Shield

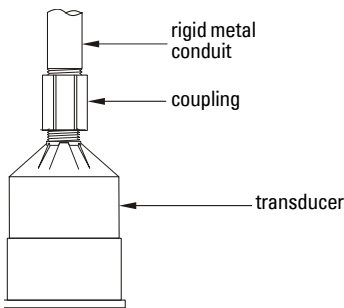




# Mounting

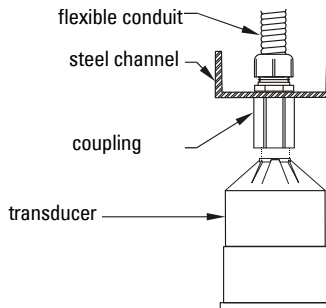
- Mount the transducer so that it is **above the maximum material level by more than the blanking value** for accurate results. Refer to the associated transceiver manual for information on setting the blanking value.
- The transducer must be mounted so that the axis of transmission is **perpendicular to the liquid's surface**.
- **Do not over tighten mounting.** Hand tightening of the mounting hardware is sufficient.
- Consider the optional **temperature sensor** when mounting the transducer.

## Suspended Conduit

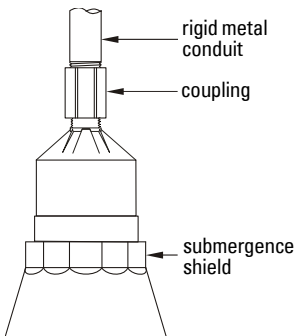


Flexible conduit transducer should not be subjected to wind, vibration or jarring.

## Bracket

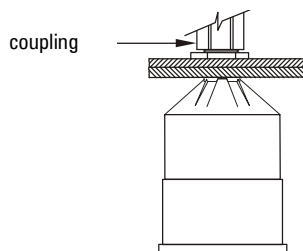


## Submersible



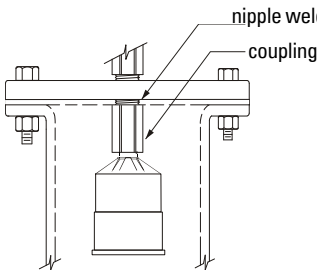
Submersible transducer, used in applications where flooding is possible.

## Plywood

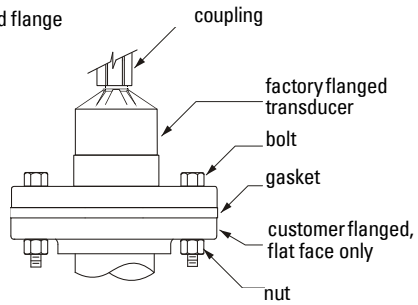


Plywood mounting provides excellent isolation, but must be rigid enough to avoid flexing if subjected to loading.

## Blind Flange



## Face Flange



**Note:** Tighten the flange bolts evenly in order to ensure a good seal between the mating flanges.

**Caution:** Over-tightening can cause performance degradation.

# Interconnection

**Note:** Installation shall only be performed by qualified personnel and in accordance with local governing regulations.

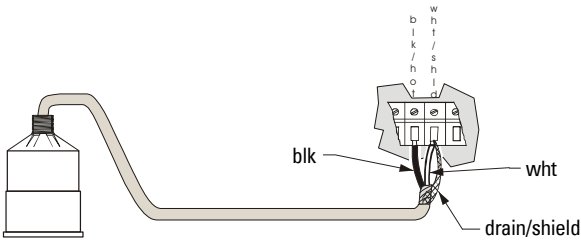
## Recommended installation rules:

- Do not route cable openly; instead, run cable separately in a grounded metal conduit to protect it from ambient electrical noise.
- Seal all thread connections to prevent the ingress of moisture.
- Do not run cable near high voltage or current runs, contactors or SCR control drives.

In all of the following examples the terminal blocks on the transceiver are described in the controller manual.

## Direct Connection

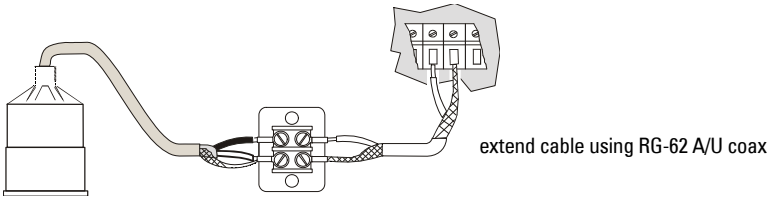
Connect the transducer directly to the Siemens transceiver via the two conductor shielded cable.



**Note:** When connecting to a SITRANS LUT400, a SITRANS LUC500, a MultiRanger 100/200, or a HydroRanger 200, the white, black, and shield wires are all connected separately. DO NOT tie the white and shield wires together.

## Coaxial Connection

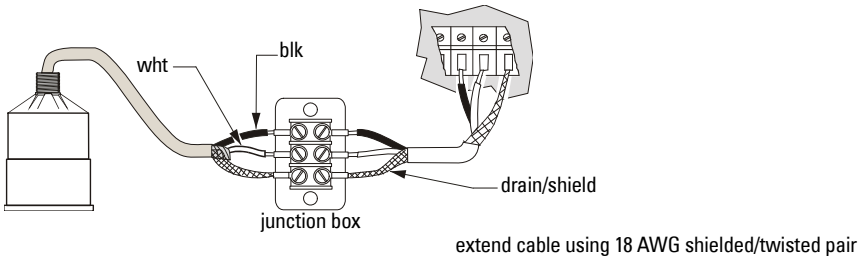
Connect the transducer to the Siemens transceiver via a junction box and RG-62 A/U coaxial cable. This setup is effective for combined runs up to 365 m (1200 ft).



**Note:** When connecting to a SITRANS LUT400, a SITRANS LUC500, a MultiRanger 100/200, and HydroRanger 200, DO NOT use coaxial cable. See diagram below for proper procedure.

## 2-Wire Extension

(for SITRANS LUT400, SITRANS LUC500, MultiRanger 100/200, and HydroRanger 200 only)



# Notes

---

# EchoMax XRS-5 Kvikstart manual

Denne manual opřidser de væsentligste karakteristika og funktioner af transduceren EchoMax XRS-5. Denne manual samt *Vejledning i anvendelse af transducere* kan også findes på vort website: [www.siemens.com/processautomation](http://www.siemens.com/processautomation). Trykte eksemplarer kan fås hos din lokale Siemens Milltronics repræsentant.

## Spørgsmål vedrørende indholdet af denne manual kan rettes til:

Siemens Milltronics Process Instruments  
1954 Technology Drive, P.O. Box 4225  
Peterborough, Ontario, Canada, K9J 7B1  
Email: [techpubs.smpi@siemens.com](mailto:techpubs.smpi@siemens.com)

## Europæisk autoriseret repræsentant

Siemens AG  
Industry Sector  
76181 Karlsruhe  
Deutschland

**Copyright Siemens Milltronics  
Process Instruments 2013.  
Alle rettigheder forbeholdes**

## Ansvarsfragåelse

Vi opfordrer brugerne til at anskaffe de autoriserede, indbundne manualer eller at læse de elektroniske versioner, der er udarbejdet og skrevet af Siemens Milltronics Process Instruments. Siemens Milltronics Process Instruments påtager sig intet ansvar for indholdet af delvise eller fuldstændige gengivelser af indbundne eller elektroniske versioner.

Skønt vi har kontrolleret, at indholdet af denne manual stemmer overens med de beskrevne instrumenter, kan der stadig forekomme variationer. Vi kan derfor ikke garantere en fuldstændig overensstemmelse. Indholdet af denne manual revideres jævnligt, og eventuelle rettelser inkluderes i de efterfølgende udgaver. Vi modtager gerne forslag til forbedringer. Retten til ændringer af de tekniske data forbeholdes.

MILLTRONICS er et registreret varemærke, der tilhører Siemens Milltronics Process Instruments

## Sikkerhedsvejledning

De anførte advarsler skal overholdes for at sikre egen og andres sikkerhed samt for at beskytte produktet og det tilhørende udstyr. Disse advarsler ledsages af en tydeliggørelse af graden af forsigtighed, der bør overholdes.



**ADVARSEL:** vedrører et advarselssymbol på produktet og betyder, at en manglende overholdelse af de nødvendige forholdsregler kan føre til død, alvorlig personskade og/eller omfattende materielle skader.



**ADVARSEL:** betyder, at en manglende overholdelse af de nødvendige forholdsregler kan føre til død, alvorlig personskade og/eller omfattende materielle skader.

**PAS PÅ:** betyder, at en manglende overholdelse af de nødvendige forholdsregler kan føre til omfattende materielle skader.

**Bemærk:** betyder vigtige oplysninger om produktet eller denne del af brugsvejledningen.

# Indledning

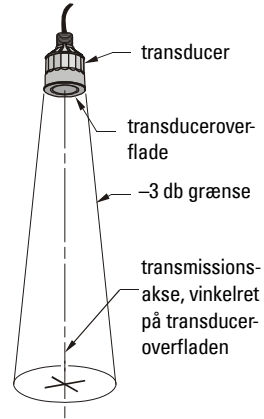
**Dette produkt er beregnet til anvendelse i industriområder. Brugen af dette udstyr i et beboelsesområde kan forårsage interferens med forskellige frekvensbaserede kommunikationer.**

Transducerne i serien EchoMax XRS-5 fungerer med Siemens Milltronics ultralydsniveauovervågningsprodukter.

Transduceren omdanner den elektriske energi af sendeimpulsen fra transceiveren til akustisk energi. Derefter omdanner den ekkoets akustiske energi tilbage til elektrisk energi til kontrolenheden.

Transduceroverfladen udsender akustisk energi, der udbreder sig med en amplitude, der falder omvendt proportionalt til kvadraten af afstanden. Den udbredte effekt er maksimal vinkelret på transduceroverfladen langs transmissionsaksen. Lydstrålen, hvis diameter betegnes strålevinklen, defineres som en kegle centreret omkring transmissionsaksen, med en grænse svarende til en reduktion af effekten til halvdelen ( $-3$  dB).

Transducerne i XRS-5 serien har en indbygget temperaturføler, der angiver lufttemperaturen til kontrolenheden.









# Særlige anvisninger vedrørende installation i risikoområder (Reference: det europæiske ATEX Direktiv 94/9/EF, Bilag II, 1/0/6)

Følgende anvisninger gælder for udstyr, der er dækket af certifikat nummer SIRA 99ATEX5091X.

1. Dette udstyr kan anvendes med brændbare gasser og dampe sammen med apparatgruppen II og i temperaturklasserne T1 til T6.
2. Dette udstyr tilhører en temperaturklasse på T85 °C og kan anvendes sammen med brændbart støv.
3. Dette udstyr er godkendt til brug ved omgivende temperaturer i intervallet fra -20 °C til +65 °C.
4. Dette udstyr vurderes ikke som en sikkerhedsanordning som beskrevet i direktivet 94/9/EF Bilag II, paragraf 1.5.
5. Certifikatet ender på "X", hvilket angiver, at der gælder særlige betingelser for installationen og brugen. De personer, der skal installere eller inspicere dette udstyr, skal have adgang til certifikatets indhold.
6. Dette apparat må kun strømforsynes fra et kredsløb, der omfatter en sikring af passende intensitet, der har en brydeevne på mindst 1.500A.
7. Installationen og inspektionen af dette udstyr skal udføres af tilstrækkeligt uddannet personale i henhold til de gældende normer (EN 60079-14 og EN 60079-17 i Europa).
8. Dette udstyr kan ikke repareres.
9. Dette udstyr er godkendt på baggrund af brugen af følgende materialer ved dets fremstilling:
  - Klæbemiddel: Norton Performance Plastics Chemgrip
  - Hus: ETFE
  - Hus: PVDF
  - Indkapsling: Dow-Corning 3-4207
  - Royal EPOCAP 42174/52174
  - Indkapsling: Cotronics Durapot 864
10. Hvis det er sandsynligt, at udstyret vil komme i kontakt med aggressive stoffer, påhviler det brugeren at træffe egnede foranstaltninger for at undgå enhver uhensigtsmæssig påvirkning, således at denne type beskyttelse ikke sættes over styret.
  - Aggressive stoffer: for eksempel sure væsker eller gasser, der kan angribe metaller, eller opløsningsmidler, der kan påvirke polymere materialer.
  - Egnede sikkerhedsforanstaltninger: for eksempel godtgørelse ud fra materialets datablad af, at det er modstandsdygtigt over for specifikke kemikalier.

## XRS-5

<b>SIEMENS</b>								
<b>XRS-5 ULTRASONIC TRANSDUCER</b> Serial No: GYZ I A1034567 Ambient Temp.: -20°C to 65°C V in: 1.77 V r.m.s.; 250 V p I in: 44.2 mA r.m.s.			Class I, Zone 1 AEx m IIC, T6, IP68 Class II, III, Div 1, Group E, F, G Per Dwg.: 0-865003Z-D/A Max. Torque: 12 FT-LBS		0518		II 2 G D Ex mb IIC T6 Gb Ex tb IIIC T85°C Db SIRA 99ATEX5091X IECEx SIR 09.0005X	 KCC-REM-549 Echomax
 159134		Class I, Div 2, Group A, B, C, D Class II, Div 1, Group E, F, G IP66 / IP68 (2M)		<b>WARNING:</b> Static Hazard, Do Not Rub With Dry Cloth.				
Siemens Microtronics Process Instruments, Peterborough								

### Bemærk:

- Den viste produktkonfiguration er kun givet som eksempel.
- Det viste serienummer er kun givet som eksempel.

# Tekniske data

	XRS-5	XRS-5C
<b>Procesanvendelse</b>		
Anvendelse	Væsker og opløsningsmidler	Væsker og opløsningsmidler
Måleområde	0,3 - 8 m (1 - 26 fod)	0,3 - 8 m (1 - 26 fod)
Tryk i beholder	Åben til atmosfæren	Åben til atmosfæren
<b>Drift</b>		
Strålevinkel	10	10
Frekvens	43 KHz	43 KHz
Temperaturføler	Intern	Intern
Forsyningskilde	Transduceren må kun forsynes fra en kontrolenhed, der er godkendt af Siemens	Transduceren må kun forsynes fra en kontrolenhed, der er godkendt af Siemens
<b>Omgivelser</b>		
Placering	indendørs/udendørs	indendørs/udendørs
Omgivelsestemperatur	-20 til 65 °C (-4 til 149 °F)	-20 til 65 °C (-4 til 149 °F)
Maksimal højde	2000 m	2000 m
Forureningsgrad	4	4
<b>Konstruktion</b>		
Hus	<ul style="list-style-type: none"> <li>• kasse af PVDF og forside af CSM</li> </ul>	<ul style="list-style-type: none"> <li>• kasse af PVDF og forside af CSM</li> <li>• Rørtilslutning af rustfrit stål</li> </ul>
Montage	1" NPT eller BSP rørtilslutning	1" NPT rørtilslutning
<b>Kabelføring</b>		
Kabeltype	2-tråds afskærmet/snoet, 0,5mm <sup>2</sup> (18 AWG) PVC-kappe	2-tråds afskærmet/snoet, 0,5mm <sup>2</sup> (18 AWG) PVC-kappe
Maksimal afstand fra transceiveren	<ul style="list-style-type: none"> <li>• 365 m (1200 fod) vha. RG-62 A/U koaksialkabel</li> <li>• 365 m (1200 fod) vha. 2-tråds parsnoet/flettet og folieafskærmet 20 AWG (0,5mm<sup>2</sup>), PVC-kappe (kun SITRANS LUT400, SITRANS LUC500, MultiRanger 100/200 og HydroRanger 200)</li> </ul>	<ul style="list-style-type: none"> <li>• 365 m (1200 fod) vha. RG-62 A/U koaksialkabel</li> <li>• 365 m (1200 fod) vha. 2-tråds parsnoet/flettet og folieafskærmet 20 AWG (0,5mm<sup>2</sup>), PVC-kappe (kun SITRANS LUT400, SITRANS LUC500, MultiRanger 100/200 og HydroRanger 200)</li> </ul>



XRS-5		XRS-5C
Diverse		
Beskyttelse mod indtrængning	IP68	IP68
Vægt <sup>1</sup>	1,2 kg (2,6 lb)	1,2 kg (2,6 lb)
Valgmuligheder	<ul style="list-style-type: none"> <li>• Forsynet m. flange fra fabrikken iht. ANSI, DIN eller JIS standarden</li> <li>• Delt flange (feltmonteret) iht. ANSI, DIN eller JIS standarden</li> <li>• Neddykningsbeskyttelse (anvendelser m. oversvømmelse)</li> </ul>	<ul style="list-style-type: none"> <li>• Forsynet m. flange fra fabrikken iht. ANSI, DIN eller JIS standarden</li> <li>• Delt flange (feltmonteret) iht. ANSI, DIN eller JIS standarden</li> <li>• Neddykningsbeskyttelse (anvendelser m. oversvømmelse)</li> </ul>
Godkendelser	CE <sup>2</sup> , CSA, FM, IECEX/ATEX: INMETRO DNV 12.0078 X Ex mb IIC T6 Gb Ex tb IIIC T85°C Db IP66/IP68 -20 °C ≤ Ta ≤ +65 °C DNV #OCP 0017 ABNT NBR IEC 60079-0:2008, ABNT NBR IEC 60079-18:2010 og ABNT NBR IEC 60079-31:2011	CSA, jf. apparatets navneplade

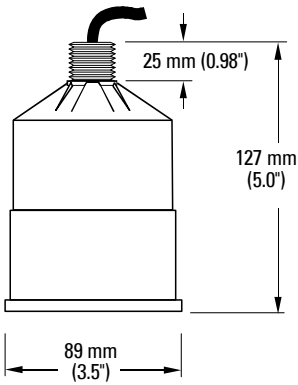
1. Omtrentlig forsendelsesvægt af transducer med standard kabellængde.

2. EMC-data fås på anfordring.

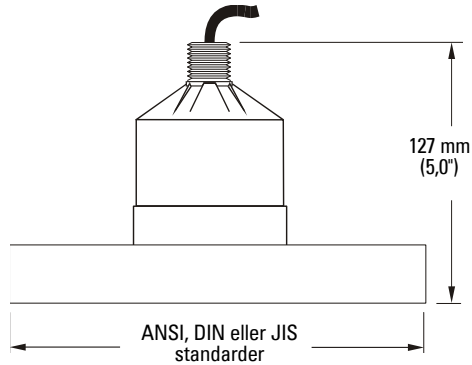
# Installation

## Omrids og dimensioner

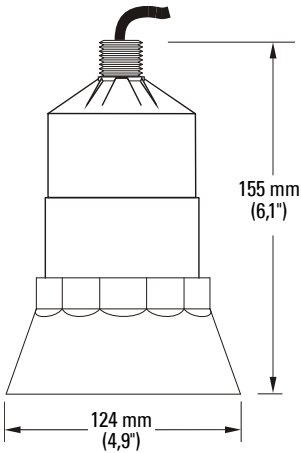
Standard



Flange (ekstraudstyr)



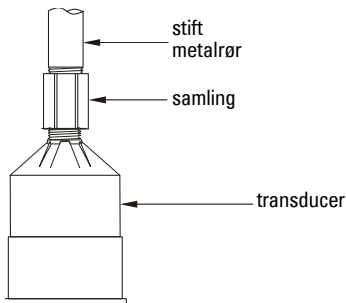
Neddykningsbeskyttelse



# Montage

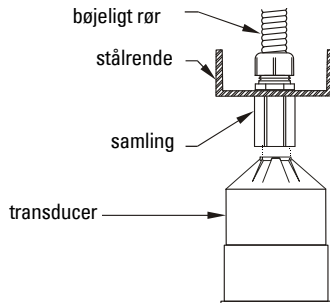
- For at opnå nøjagtige resultater skal transduceren monteres, så den sidder i en **afstand over materialets maksimale niveau, der mindst er lig med slukningsafstanden**. For oplysninger om indstillingen af slukningsafstanden henvises til manualen for den tilhørende transceiver.
- Transduceren skal monteres, således at transmissionsaksen er **vinkelret på væskeoverfladen**.
- **Undgå overdreven stramning ved monteringen**. Det er tilstrækkeligt at stramme monteringsudstyret med håndkraft.
- Tag højde for en eventuel **temperaturføler** (ekstraudstyr) ved montering af transduceren.

## Ophængt rør

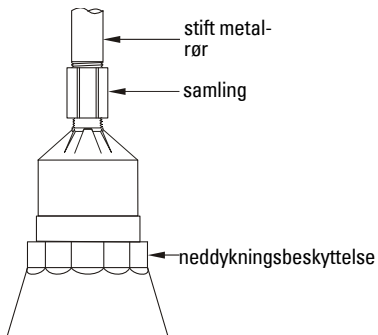


En transducer, der er monteret på et bøjeligt rør, bør ikke udsættes for vind, vibrationer eller stød.

## Bjælke

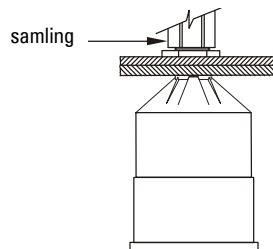


## Neddykkelig version



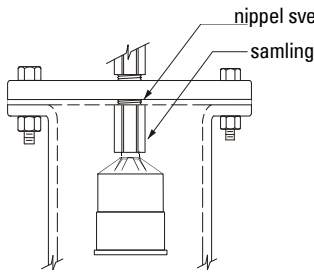
Neddykkelig transducer, der bruges i anvendelser, hvor der er risiko for oversvømmelse.

## Krydsfiner

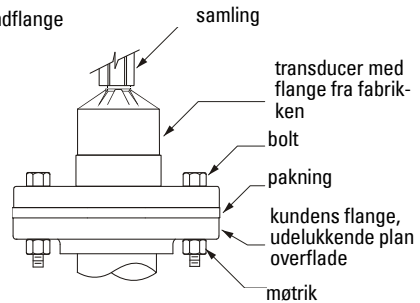


Montering på krydsfiner giver en fremragende isolation men bør være tilstrækkelig stiv til ikke at bøjes, hvis den udsættes for belastning.

## Blindflange



## Modflange



**Bemærk:** Stram flangens bolte jævnt for at sikre en god tætning mellem modflangerne.

**Pas på:** Overdreven stramning kan forringe funktionsegenskaberne.

# Sammenkobling

**Bemærk:** Installationen må kun foretages af kvalificeret personale og under overholdelse af de lokalt gældende regler.

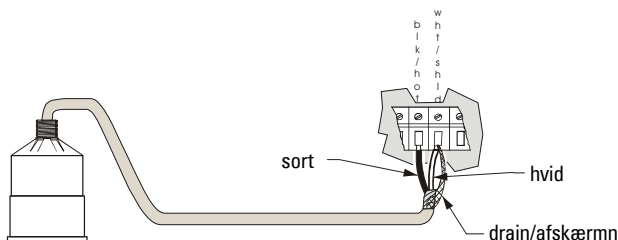
## Anbefalede regler for installationen:

- Undgå at trække kablet utildækket; før i stedet kablet separat i et jordet metalrør for at beskytte det mod omgivende elektrisk støj.
- Tæt alle gevindsamlinger for at undgå fugtindtrængning.
- Undgå at føre kablet i nærheden af højspænding eller stærk strøm, kontaktorer eller SCR-styredrev.

I alle de følgende eksempler er klemrækkerne på transceiveren beskrevet i manualen for kontrolenheden.

# Direkte forbindelse

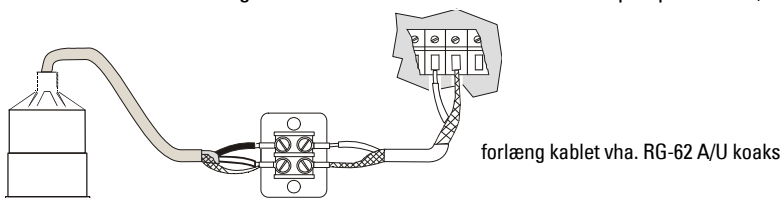
Forbind transduceren direkte til Siemens transceiveren via det afskærmede to-leder-kabel.



**Bemærk:** Ved tilslutning til en SITRANS LUT400, SITRANS LUC500, en MultiRanger 100/200 eller en HydroRanger 200 forbindes den hvide ledning, den sorte ledning og afskærmningsledningen alle separat. Den hvide ledning og afskærmningsledningen MÅ IKKE forbindes med hinanden.

# Koaksial forbindelse

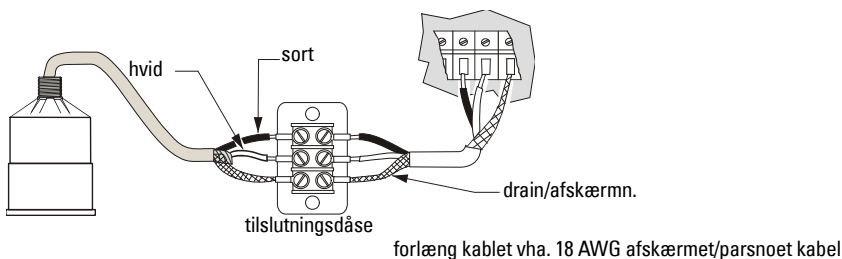
Forbind transduceren til Siemens transceiveren via en tilslutningsdåse og RG-62 A/U koaksialkabel. Dette arrangement er effektivt for en samlet afstand på op til 365 m (1200 fod).



**Bemærk:** Ved tilslutning til en SITRANS LUT400, SITRANS LUC500, MultiRanger 100/200 og HydroRanger 200 må koaksialkabel IKKE BRUGES. Jf. den korrekte procedure i nedenstående diagram.

# 2-Leder-forlængelse

(kun for SITRANS LUT400, SITRANS LUC500, MultiRanger 100/200 og HydroRanger 200)



# Notater

---

Dansk

# Kurzanleitung EchoMax XRS-5

Diese Betriebsanleitung ist eine Kurzfassung der wesentlichen Merkmale und Funktionen der Ultraschall-Sensoren Baureihe EchoMax XRS-5. Dieses Gerätehandbuch und das *Anwendungshandbuch Ultraschall-Sensoren* stehen ebenfalls auf unserer Website zur Verfügung: [www.siemens.de/prozessautomatisierung](http://www.siemens.de/prozessautomatisierung). Um ein gebundenes Exemplar zu erhalten, wenden Sie sich an Ihren zuständigen Siemens Milltronics Ansprechpartner.

**Wenn Sie Fragen haben,  
wenden Sie sich bitte an:**

Siemens Milltronics Process Instruments  
1954 Technology Drive, P.O. Box 4225  
Peterborough, Ontario, Kanada, K9J 7B1  
E-Mail: [techpubs.smpi@siemens.com](mailto:techpubs.smpi@siemens.com)

**Bevollmächtigter Vertreter  
in Europa**

Siemens AG  
Industry Sector  
76181 Karlsruhe  
Deutschland

**Copyright Siemens Milltronics Process  
Instruments 2013. Alle Rechte  
vorbehalten**

**Haftungsausschluss**

Wir fordern Benutzer auf, genehmigte, gebundene Betriebsanleitungen zu erwerben oder die von Siemens Milltronics Process Instruments entworfenen und genehmigten elektronischen Ausführungen zu lesen. Siemens Milltronics Process Instruments ist für den Inhalt auszugswiesiger oder vollständiger Wiedergaben gebundener oder elektronischer Ausführungen nicht verantwortlich.

Wir haben den Inhalt der Druckschrift auf Übereinstimmung mit dem beschriebenen Gerät geprüft. Dennoch können Abweichungen nicht ausgeschlossen werden, so dass wir für die vollständige Übereinstimmung keine Gewähr übernehmen. Die Angaben in dieser Druckschrift werden regelmäßig überprüft, notwendige Korrekturen sind in den nachfolgenden Auflagen enthalten. Für Verbesserungsvorschläge sind wir dankbar. Technische Änderungen vorbehalten.

MILLTRONICS ist ein eingetragenes Warenzeichen von Siemens Milltronics Process Instruments

## Sicherheitstechnische Hinweise

Warnhinweise müssen zu Ihrer persönlichen Sicherheit sowie der Sicherheit Dritter und zur Vermeidung von Sachschäden beachtet werden. Zu jedem Warnhinweis wird der jeweilige Gefährungsgrad angegeben.



**WARNUNG: bezieht sich auf ein Warnsymbol auf dem Produkt und bedeutet, dass bei Nicht-Einhalt der entsprechenden Vorsichtsmaßnahmen Tod, schwere Körperverletzung und/oder erheblicher Sachschaden eintreten können.**



**WARNUNG: bedeutet, dass bei Nicht-Einhalt der entsprechenden Vorsichtsmaßnahmen Tod, schwere Körperverletzung und/oder erheblicher Sachschaden eintreten können.**

**VORSICHT: bedeutet, dass bei Nicht-Einhalt der entsprechenden Vorsichtsmaßnahmen erheblicher Sachschaden eintreten kann.**

**Hinweis:** steht für eine wichtige Information über das Produkt selbst oder den Teil der Betriebsanleitung, auf den besonders aufmerksam gemacht werden soll.

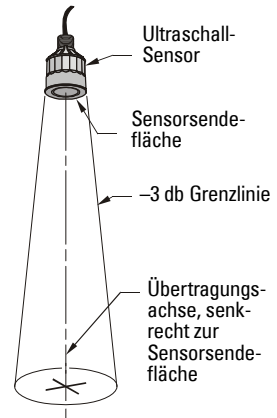
# Einführung

**Dieses Produkt ist für den Einsatz im Industriebereich vorgesehen. Der Betrieb dieser Einrichtung in Wohngebieten kann Störungen verschiedener Funkanwendungen verursachen.**

Die Ultraschall-Sensoren der Baureihe EchoMax XRS-5 arbeiten zusammen mit den Ultraschall-Auswertegeräten von Siemens Milltronics.

Der Sensor wandelt die elektrische Energie des Sendeimpulses vom Messumformer in akustische Energie um. Die akustische Energie des Echos wird dann wieder in elektrische Energie für das Auswertegerät zurückgewandelt.

Die akustische Energie wird von der Sensorendefläche nach außen gestrahlt. Ihre Amplitude nimmt dabei mit einer Geschwindigkeit ab, die zum Quadrat des Abstands umgekehrt proportional ist. Die maximale Leistung erhält man an der sogenannten Übertragungsachse, senkrecht zur Sensorendefläche. An der Stelle, wo die Leistung nur noch halb so groß ist (-3 dB), entsteht ein Kegel, der die Schallkeule definiert und dessen Mittellinie die Übertragungsachse darstellt. Sein Durchmesser entspricht dem Schallkegel.



Die Ultraschall-Sensoren XRS-5 sind mit einem integrierten Temperaturfühler ausgestattet. Dieser meldet dem Messumformer die Temperatur am Ultraschall-Sensor.










# Vorschriften bezüglich Installationen in Ex-gefährdeten Bereichen (Europäische ATEX Richtlinie 94/9/EG, Anhang II, 1/0/6)

Folgende Vorschriften finden Anwendung auf die Geräte, die Gegenstand des Zertifikats Nr. SIRA 99ATEX5091X sind.

1. Diese Betriebsmittel können mit brennbaren Gasen und Dämpfen mit Betriebsmitteln der Gruppe II und Temperaturklasse T1 bis T6 eingesetzt werden.
2. Das Gerät besitzt eine Temperaturklasse von T85 °C. Es kann mit brennbaren Stäuben eingesetzt werden.
3. Das Gerät ist für einen Einsatz bei Umgebungstemperaturen von -20 °C bis +65 °C zugelassen.
4. Diese Betriebsmittel werden nicht als Sicherheitsvorrichtung im Sinne der Richtlinie 94/9/EG Anhang II, Klausel 1.5, eingestuft.
5. Die Zertifizierungsnummer besitzt eine Endung 'X' zur Angabe, dass für die sichere Verwendung Sonderbedingungen gelten. Personen, die diese Betriebsmittel installieren oder warten, müssen Zugriff auf die Bescheinigung haben.
6. Die Versorgungsspannung dieser Betriebsmittel sollte nur von einem Schaltkreis kommen, der eine geeignete Sicherung mit einer Kurzschlusskapazität von mindestens 1500A enthält.
7. Installation und Prüfung dieser Betriebsmittel dürfen nur durch entsprechend geschultes Personal in Übereinstimmung mit den geltenden Verfahrensregeln (EN 60079-14 und EN 60079-17 in Europa) durchgeführt werden.
8. Das Gerät ist nicht reparierbar.
9. Die Zertifizierung dieses Geräts beruht auf folgenden verwendeten Werkstoffen:
  - Dichtmasse Norton Performance Plastics Chemgrip
  - Gehäusewerkstoff ETFE
  - Gehäusewerkstoff PVDF
  - Vergusswerkstoff Dow-Corning 3-4207
  - Royal EPOCAP 42174/52174
  - Vergusswerkstoff Cotronics Durapot 864
10. Es sind geeignete Maßnahmen zu treffen, um eine Beschädigung des Geräts im Falle eines Kontakts mit aggressiven Stoffen zu verhindern und die Schutzart zu gewährleisten.
  - Aggressive Stoffe: z. B. säurehaltige Flüssigkeiten oder Gase, die Metalle angreifen können, oder Lösungen, die polymerische Stoffe angreifen.
  - Geeignete Maßnahmen: z. B. Aufstellung der Beständigkeit gegen bestimmte Chemikalien anhand des Datenblatts des Materials.

## XRS-5

<b>SIEMENS</b> XRS-5 ULTRASONIC TRANSDUCER Serial No: GYZ A1034567 Ambient Temp.: -20°C to 65°C V in: 1.77 V r.m.s., 250 V p I in: 44.2 mA r.m.s.	 Class I, Zone 1 AEx m IIC, T6, IP68 Class II, III, Div 1, Group E, F, G Per Dwg.: 0-86590032-DI-A Max. Torque: 12 FT-LBS	 0518	 II 2 G D Ex mb IIC T6 Gb Ex ib IIC T85°C Db SIRA 99ATEX5091X IECEx SIR 09.0005X	 KCC-REM-549 Echomax
 159134	Class I, Div 2, Group A, B, C, D Class II, Div 1, Group E, F, G IP66 / IP68 (ZM)	 WARNING: Static Hazard, Do Not Rub With Dry Cloth.	 Ex mb IIC T6 Gb Ex ib IIC T85°C Db DNV 12.0078 X	ATENÇÃO - RISCO POTENCIAL DE CARGA ELETROSTÁTICA - VEJA INSTRUÇÕES

### Hinweis:

- Die Artikelnummer des Produkts ist nur beispielshalber aufgeführt.
- Die Seriennummer ist nur beispielshalber aufgeführt.

# Technische Daten

Deutsch

XRS-5		XRS-5C
<b>Prozessapplikation</b>		
<b>Anwendungsbereich</b>	Flüssigkeiten und Schlämme	Flüssigkeiten und Schlämme
<b>Messbereich</b>	0,3 - 8 m (1 - 26 ft)	0,3 - 8 m (1 - 26 ft)
<b>Druck im Behälter</b>	Atmosphärischer Druck	Atmosphärischer Druck
<b>Betrieb</b>		
<b>Öffnungswinkel</b>	10°	10°
<b>Frequenz</b>	43 KHz	43 KHz
<b>Temperaturfühler</b>	Integriert	Integriert
<b>Hilfsenergie</b>	Betrieb der Sensoren nur an zugelassenen Siemens Auswertegeräten	Betrieb der Sensoren nur an zugelassenen Siemens Auswertegeräten
<b>Umgebungsbedingungen</b>		
<b>Ort</b>	innen/außen	innen/außen
<b>Umgebungstemperatur</b>	-20 ... 65°C (-4 ... 149 °F)	-20 ... 65°C (-4 ... 149 °F)
<b>Max. Höhe</b>	2000 m	2000 m
<b>Verschmutzungsgrad</b>	4	4
<b>Konstruktiver Aufbau</b>		
<b>Gehäuse</b>	<ul style="list-style-type: none"> <li>Gehäuse aus PVDF und Sendefläche aus CSM</li> </ul>	<ul style="list-style-type: none"> <li>Gehäuse aus PVDF und Sendefläche aus CSM</li> <li>Edelstahl-Gewindeanschluss</li> </ul>
<b>Montage</b>	Gewindeanschluss 1" NPT oder BSP	Gewindeanschluss 1" NPT
<b>Verkabelung</b>		
<b>Kabeltyp</b>	2-adrig geschirmt, 0,5 mm <sup>2</sup> (18 AWG) PVC-Mantel	2-adrig geschirmt, 0,5 mm <sup>2</sup> (18 AWG) PVC-Mantel
<b>Max. Abstand zum Messumformer</b>	<ul style="list-style-type: none"> <li>365 m (1200 ft) mit Koaxialkabel RG -62 A/U</li> <li>365 m (1200 ft) mit 2-adrig verdrehtem Paar/Litze, Folienschirm, 0,5 mm<sup>2</sup> (20 AWG), PVC-Mantel (nur für SITRANS LUT400, SITRANS LUC500, MultiRanger 100/200 und HydroRanger 200)</li> </ul>	<ul style="list-style-type: none"> <li>365 m (1200 ft) mit Koaxialkabel RG -62 A/U</li> <li>365 m (1200 ft) mit 2-adrig verdrehtem Paar/Litze, Folienschirm, 0,5 mm<sup>2</sup> (20 AWG), PVC-Mantel (nur für SITRANS LUT400, SITRANS LUC500, MultiRanger 100/200 und HydroRanger 200)</li> </ul>

## Sonstige

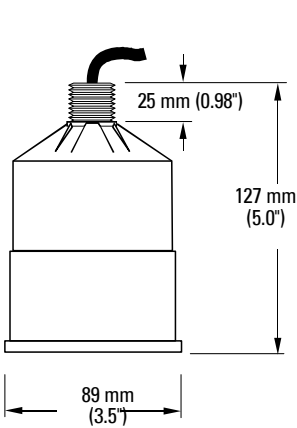
Schutzart	IP68	IP68
Gewicht <sup>1</sup>	1,2 kg (2.6 lb)	1,2 kg (2.6 lb)
Optionen	<ul style="list-style-type: none"> <li>• Werkseitig geflanscht, nach ANSI, DIN und JIS</li> <li>• Geteilter Flansch (Feldmontage) nach ANSI, DIN und JIS</li> <li>• Überflutungshülse</li> </ul>	<ul style="list-style-type: none"> <li>• Werkseitig geflanscht, nach ANSI, DIN und JIS</li> <li>• Geteilter Flansch (Feldmontage) nach ANSI, DIN und JIS</li> <li>• Überflutungshülse</li> </ul>
Zulassungen	CE <sup>2</sup> , CSA, FM, IECEX/ATEX: INMETRO DNV 12.0078 X Ex mb IIC T6 Gb Ex tb IIC T85°C Db IP66/IP68 -20 °C ≤ Ta ≤ +65 °C DNV #OCP 0017 ABNT NBR IEC 60079-0:2008, ABNT NBR IEC 60079-18:2010 und ABNT NBR IEC 60079-31:2011	CSA, siehe Typenschild des Geräts

1. Ungefähres Versandgewicht des Sensors mit Standardkabellänge.
2. EMV-Bescheinigung auf Anfrage erhältlich.

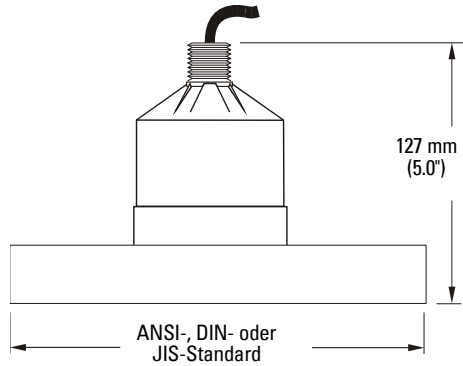
# Installation

## Maßbilder

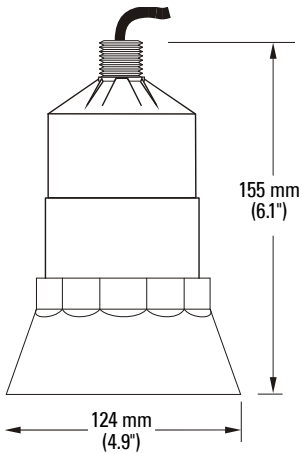
Standard



Flansch (Option)



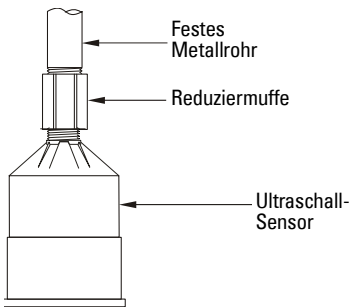
Überflutungshülse



# Montage

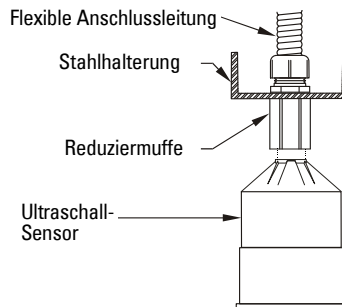
- Um präzise Messwerte zu erhalten, beachten Sie bei der Sensormontage einen **Mindestabstand zum maximalen Materialfüllstand entsprechend der Nahbereichsausblendung**. Angaben zur Einstellung der Ausblendung finden Sie im zugehörigen Gerätehandbuch des Messumformers.
- Der Sensor ist so anzubringen, dass die Übertragungsachse **senkrecht zur Flüssigkeitsoberfläche** steht.
- **Bei der Montage nicht zu stark anziehen**. Handfest ist ausreichend.
- Verwenden Sie ggf. einen optionalen **Temperaturfühler**.

## Abgehängte Montage

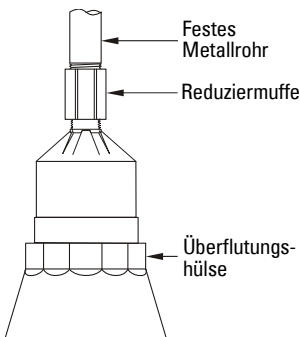


Bei einer abgehängten Montage sollte der Sensor weder Wind, Vibrationen, noch Stößen ausgesetzt werden.

## Halterung

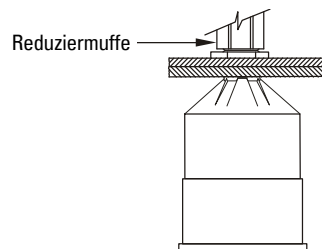


## Überflutbar



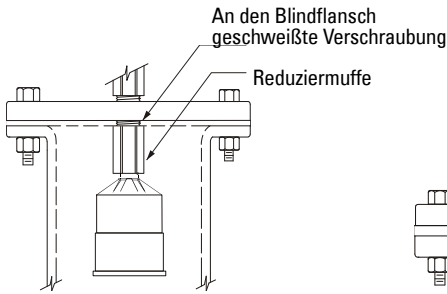
Sensor mit Überflutungshülse für Applikationen mit Überflutungsgefahr.

## Sperrholz

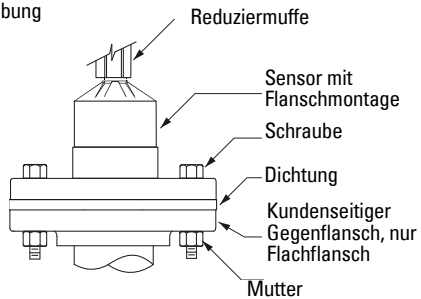


Eine Sperrholzmontage ergibt eine ausgezeichnete Isolierung, muss aber stabil genug sein, um bei Belastung ein Durchhängen zu vermeiden.

## Blindflansch



## Flanschmontage



**Hinweis:** Ziehen Sie die Flanschschrauben gleichmäßig an, um eine gute Abdichtung zwischen den Gegenflanschen zu gewährleisten.

**Vorsicht:** Zu starkes Anziehen führt zu Leistungsabfall.

# Verschaltung

**Hinweis:** Die Installation darf nur durch qualifiziertes Personal und unter Beachtung der örtlichen, gesetzlichen Bestimmungen durchgeführt werden.

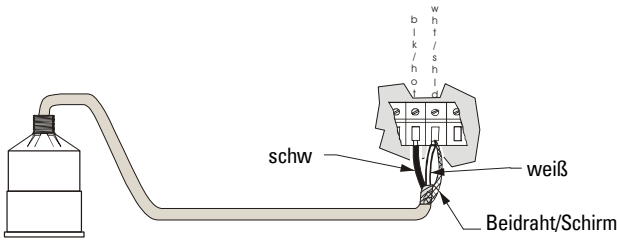
## Empfehlungen zur Installation:

- Die Kabel sollten nicht offen verlegt werden. Zur optimalen Störsicherheit sind die Kabel getrennt in einem geerdeten Metallrohr zu verlegen.
- Alle Gewindeanschlüsse sind so abzudichten, dass das Eindringen von Feuchtigkeit verhindert wird.
- Vermeiden Sie eine Leitungsführung in der Nähe von Hochspannungs-, Motorleitungen, Schaltschützen oder Frequenzumrichtern (SCR Steuerantriebe).

Eine Beschreibung der in den folgenden Beispielen gezeigten Klemmblöcke finden Sie in der Betriebsanleitung des Messumformers.

# Direkter Anschluss

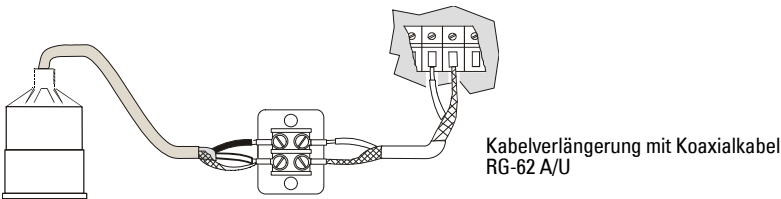
Schließen Sie den Ultraschall-Sensor über das zwei-adrige, geschirmte Kabel direkt an den Siemens Messumformer an.



**Hinweis:** Bei Anschluss eines SITRANS LUT400, SITRANS LUC500, MultiRanger 100/200 oder HydroRanger 200 werden die Drähte weiß, schwarz und Schirm jeweils separat angeschlossen. Der Schirm und der weiße Draht dürfen NICHT verknüpft werden.

# Koaxialanschluss

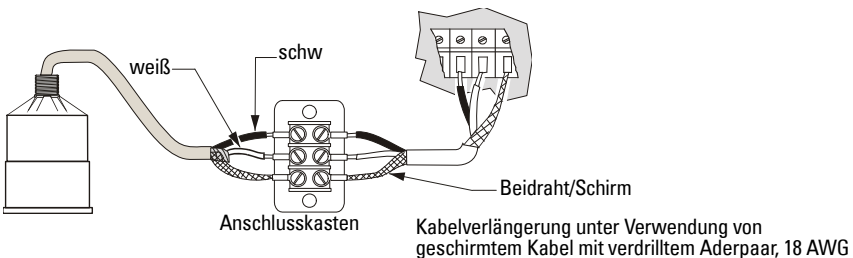
Schließen Sie den Ultraschall-Sensor über einen Anschlusskasten und ein Koaxialkabel RG-62 A/U an den Siemens Messumformer an. Diese Anordnung gilt für eine Gesamtlänge von 365 m (1200 ft).



**Hinweis:** Bei Anschluss eines SITRANS LUT400, SITRANS LUC500, MultiRanger 100/200 oder HydroRanger 200 sollte KEIN Koaxialkabel verwendet werden. Die korrekte Vorgehensweise entnehmen Sie bitte der Abbildung unten.

# Zweileiter-Verlängerung

(nur für SITRANS LUT400, SITRANS LUC500, MultiRanger 100/200 und HydroRanger 200)







# Περιληπτικό Εγχειρίδιο Οδηγιών

## EchoMax XRS-5

Το παρόν εγχειρίδιο περιγράφει τα βασικά χαρακτηριστικά και λειτουργίες του μορφοτροπέα EchoMax XRS-5. Το παρόν εγχειρίδιο, και το *Εγχειρίδιο Εφαρμογών Μορφοτροπέων* διατίθεται και στην τοποθεσία μας web: [www.siemens.com/processautomation](http://www.siemens.com/processautomation). Αντίγραφα σε έντυπη μορφή διατίθενται από τον τοπικό αντιπρόσωπο της Siemens Milltronics.

**Ερωτήσεις σχετικά με τα περιεχόμενα του εγχειριδίου αυτού μπορείτε να απευθύνετε προς τη:**

Siemens Milltronics Process Instruments  
1954 Technology Drive, P.O. Box 4225  
Peterborough, Ontario, Canada, K9J 7B1  
Email: [techpubs.smpi@siemens.com](mailto:techpubs.smpi@siemens.com)

**Εξουσιοδοτημένος αντιπρόσωπος στην Ευρώπη**

Siemens AG  
Industry Sector  
76181 Karlsruhe  
Deutschland

Πνευματικά δικαιώματα: Siemens  
Milltronics Process Instruments 2013.  
Με την επιφύλαξη παντός δικαιώματος

Δήλωση αποποίησης

Παροτρύνουμε τους χρήστες να αγοράζουν εξουσιοδοτημένα έντυπα εγχειρίδια ή να ανατρέχουν σε ηλεκτρονικές εκδόσεις των εγχειριδίων που έχουν δημιουργηθεί και εγκριθεί από τη Siemens Milltronics Process Instruments. Η Siemens Milltronics Process Instruments δεν φέρει ευθύνη για τα περιεχόμενα των αντιγράφων ολόκληρου ή μέρους του αναπαραχθέντος εγχειριδίου, ανεξάρτητα από το αν πρόκειται για ηλεκτρονική έκδοση ή εκτυπωμένο αντίγραφο.

Παρόλο που έχουμε ελέγξει ότι τα περιεχόμενα του παρόντος εγχειριδίου συμφωνούν με τα όργανα που περιγράφονται, τυχόν διαφοροποιήσεις είναι πιθανές. Επομένως, δεν μπορούν να εγγυηθούμε πλήρη συμφωνία μεταξύ των περιεχομένων του και της συσκευής που αγοράσατε. Τα περιεχόμενα του εγχειριδίου αυτού επανεξετάζονται σε τακτά χρονικά διαστήματα και οι διορθώσεις ενσωματώνονται στις νέες εκδόσεις του. Κάθε πρόταση για τυχόν βελτιώσεις είναι ευπρόσδεκτη. Τα τεχνικά χαρακτηριστικά υπόκεινται σε τροποποιήσεις.

Το MILLTRONICS είναι σήμα κατατεθέν της Siemens Milltronics Process Instruments

## Οδηγίες ασφαλείας

Οι προειδοποιητικές υποδείξεις πρέπει να τηρούνται προκειμένου να διασφαλιστεί η προσωπική σας ασφάλεια και η ασφάλεια τρίτων καθώς και να προστατεύεται το προϊόν και ο συνδεδεμένος με αυτό εξοπλισμός. Οι προειδοποιητικές υποδείξεις συνοδεύονται από μια επεξήγηση σχετικά με το βαθμό της προφύλαξης που πρέπει να λαμβάνεται.



**ΠΡΟΕΙΔΟΠΟΙΗΣΗ:** σχετίζεται με ένα προειδοποιητικό σύμβολο πάνω στο προϊόν και σημαίνει ότι η μη τήρηση των απαιτούμενων προφυλάξεων μπορεί να προκαλέσει θάνατο, σοβαρό τραυματισμό ή/και σημαντικές υλικές ζημιές.



**ΠΡΟΕΙΔΟΠΟΙΗΣΗ:** σημαίνει ότι η μη τήρηση των απαιτούμενων προφυλάξεων μπορεί να προκαλέσει θάνατο, σοβαρό τραυματισμό ή/και σημαντικές υλικές ζημιές.

**ΠΡΟΣΟΧΗ:** σημαίνει ότι η μη τήρηση των απαιτούμενων προφυλάξεων μπορεί να προκαλέσει σημαντικές υλικές ζημιές.

**Σημείωση:** σημαίνει σημαντικές πληροφορίες σχετικά με το προϊόν ή με το συγκεκριμένο τμήμα του εγχειριδίου χρήσης.

# Εισαγωγή

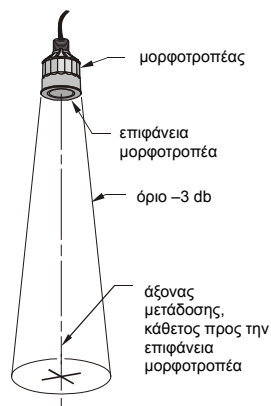
Το προϊόν αυτό προορίζεται για χρήση σε βιομηχανικό περιβάλλον. Η λειτουργία του παρόντος εξοπλισμού σε κατοικημένη περιοχή ενδέχεται να προκαλέσει παρεμβολές σε ορισμένες ραδιοεπικοινωνίες.

Η σειρά μορφοτροπέων Echomax XRS-5 λειτουργεί σε συνδυασμό με τα προϊόντα παρακολούθησης στάθμης με υπέρηχους της Siemens Milltronics.

Ο μορφοτροπέας μετατρέπει την ηλεκτρική ενέργεια του παλμού εκπομπής από τον πομποδέκτη σε ηχητική ενέργεια. Στη συνέχεια, μετατρέπει ξανά την ηχητική ενέργεια της ηχούς σε ηλεκτρική ενέργεια για τον ελεγκτή.

Η επιφάνεια του μορφοτροπέα εκπέμπει ηχητική ενέργεια που ακτινοβολείται προς τα έξω, και το πλάτος της οποίας μειώνεται σε ποσοστό αντιστρόφως ανάλογο προς το τετράγωνο της απόστασης. Η μέγιστη ισχύς ακτινοβολείται κάθετα από την επιφάνεια του μορφοτροπέα, πάνω στον άξονα εκπομπής. Στο σημείο όπου η ισχύς μειώνεται κατά το ήμισυ ( $-3\text{ dB}$ ), ένας κωνικά οριοθετημένος χώρος, κεντραρισμένος γύρω από τον άξονα εκπομπής, καθορίζει την ηχητική δέσμη, η διάμετρος της οποίας αποτελεί τη γωνία της δέσμης.

Οι μορφοτροπέες XRS-5 διαθέτουν ενσωματωμένο αισθητήρα θερμοκρασίας αέρα που μεταδίδει προς τον ελεγκτή τη θερμοκρασία αέρα που μετρείται στο μορφοτροπέα.








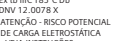


# Οδηγίες ειδικά για εγκαταστάσεις σε επικίνδυνες περιοχές (Κωδικός Ευρωπαϊκής Οδηγίας ATEX 94/9/ΕΚ, Παράρτημα II, 1/0/6)

Οι οδηγίες που ακολουθούν ισχύουν για εξοπλισμό που καλύπτεται από τον αριθμό πιστοποιητικού SIRA 99ATEX5091X.

1. Ο εξοπλισμός μπορεί να χρησιμοποιηθεί με εύφλεκτα αέρια και ατμούς με συσκευές της ομάδας II και κατηγορίας θερμοκρασιών T1 έως T6.
2. Ο εξοπλισμός έχει μια κατηγορία θερμοκρασίας T85 °C και μπορεί να χρησιμοποιηθεί με εύφλεκτες σκόινες.
3. Ο εξοπλισμός έχει πιστοποιηθεί για χρήση σε περιοχή θερμοκρασιών περιβάλλοντος από -20 °C έως +65 °C.
4. Ο εξοπλισμός δεν έχει αξιολογηθεί ως συσκευή που σχετίζεται με την ασφάλεια, όπως αναφέρεται στην Ευρωπαϊκή Οδηγία 94/9/ΕΚ, Παράρτημα II, παράγραφος 1.5.
5. Το πιστοποιητικό έχει ένα πρόθεμα 'X', που επισημαίνει ότι ισχύουν ειδικές συνθήκες εγκατάστασης και χρήσης. Τα άτομα που εγκαθιστούν ή επιθεωρούν τον παρόντα εξοπλισμό πρέπει να έχουν πρόσβαση στα περιεχόμενα του πιστοποιητικού.
6. Η συσκευή πρέπει να τροφοδοτείται μόνο από κύκλωμα που περιλαμβάνει κατάλληλη ασφάλεια με ικανότητα διακοπής 1500 A τουλάχιστον.
7. Η εγκατάσταση και η επιθεώρηση του παρόντος εξοπλισμού θα πρέπει να πραγματοποιείται από κατάλληλα εκπαιδευμένο προσωπικό, σύμφωνα με τον εφαρμοστέο κώδικα πρακτικής (EN 60079-14 και EN60079-17 στην Ευρώπη).
8. Ο εξοπλισμός δεν επιδέχεται επισκευή.
9. Η πιστοποίηση του παρόντος εξοπλισμού στηρίζεται στα εξής υλικά που χρησιμοποιήθηκαν για την κατασκευή του:
  - Ένωση συγκόλλησης Norton Performance Plastics Chemgrip
  - Υλικό περιβλήματος
  - ETFE
  - Υλικό περιβλήματος PVDF
  - Ενθυλακωτικό Dow-Corning 3-4207
  - Royal EPOCAP 42174/52174
  - Ενθυλακωτικό Cotronics Duraprot 864
10. Αν είναι πιθανόν να έλθει ο εξοπλισμός σε επαφή με διαβρωτικές ουσίες, τότε συνιστά ευθύνη του χρήστη να λάβει τις κατάλληλες προφυλάξεις για να αποφευχθεί τυχόν ανεπανόρθωτη βλάβη του, διασφαλίζοντας κατ' αυτόν τον τρόπο ότι δεν διακυβεύεται ο τύπος προστασίας.
  - Διαβρωτικές ουσίες: για παράδειγμα, όξινα υγρά ή αέρια που μπορεί να διαβρώσουν μέταλλα ή διαλύτες που ενδέχεται να προσβάλουν πολυμερή υλικά.
  - Κατάλληλες προφυλάξεις: για παράδειγμα, εξακριβώστε από το φύλλο δεδομένων υλικών ότι παρουσιάζει αντοχή σε συγκεκριμένες χημικές ουσίες

## XRS-5

<b>SIEMENS</b> XRS-5 ULTRASONIC TRANSDUCER Serial No: GYZ1 A1034567 Ambient Temp.: - 20°C to 65°C V in: 1.77 V r.m.s., 250 V p I in: 44.2 mA r.m.s.	 Class I, Zone 1 AEx m IIC, T6, IP68 Class II, III, Div 1, Group E, F, G Per Dwg.: D-86500032-DI-A Max. Torque: 12 Tf=485	 0518	 II 2 G D Ex mB IIC T6 Gb Ex Ib IIC T85°C Db SIRA 99ATEX5091X IECEx SIR 09.0005X	 KCC-REM-549 Echomax
Siemens Milltronics Process Instruments, Peterborough	 159134 Class I, Div 2, Group A, B, C, D Class II, Div 1, Group E, F, G IP66 / IP68 (2M)		 WARNING: Static Hazard, Do Not Rub With Dry Cloth.	 ATENÇÃO - RISCO POTENCIAL DE CARGA ELETROSTÁTICA - VEJA INSTRUÇÕES

## Σημείωση:

- Ο αριθμός διαμόρφωσης του προϊόντος είναι ενδεικτικός.
- Ο αριθμός σειράς είναι ενδεικτικός.

# Προδιαγραφές

	XRS-5	XRS-5C
Εφαρμογή διεργασίας		
Εφαρμογή	Υγρά και κονίες	Υγρά και κονίες
Φάσμα τιμών μέτρησης	0,3 - 8 m (1 - 26 ft)	0,3 - 8 m (1 - 26 ft)
Πίεση δοχείου	Αναπνοή	Αναπνοή
Λειτουργία		
Γωνία δέσμης	10	10
Συχνότητα	43 KHz	43 KHz
Αισθητήρας θερμοκρασίας	Εσωτερικός	Εσωτερικός
Πηγή τροφοδοσίας	Ο μορφοτροπέας θα πρέπει να τροφοδοτείται μόνο από ελεγκτή που έχει πιστοποιηθεί από τη Siemens	Ο μορφοτροπέας θα πρέπει να τροφοδοτείται μόνο από ελεγκτή που έχει πιστοποιηθεί από τη Siemens
Στοιχεία περιβάλλοντος		
Θέση	σε εσωτερικό χώρο / σε εξωτερικό χώρο	σε εσωτερικό χώρο / σε εξωτερικό χώρο
Θερμοκρασία περιβάλλοντος	-20 έως 65 °C (-4 έως 149 °F)	-20 έως 65 °C (-4 έως 149 °F)
Μέγιστο υψόμετρο	2000 m	2000 m
Βαθμός ρύπανσης	4	4
Κατασκευή		
Περιβλήμα	• Σώμα PVDF και επιφάνεια CSM	• Σώμα PVDF και επιφάνεια CSM • Σύνδεση αγωγών από ανοξείδωτο χάλυβα
Τοποθέτηση	Σύνδεση αγωγών 1" NPT ή BSP	Σύνδεση αγωγών 1" NPT
Καλωδίωση		
Τύπος καλωδίου	δισύρματο θωρακισμένο/ συνεστραμμένο, 0,5 mm <sup>2</sup> (18 AWG) μανδύας PVC	δισύρματο θωρακισμένο/ συνεστραμμένο, 0,5 mm <sup>2</sup> (18 AWG) μανδύας PVC
Μέγιστη απόσταση διαχωρισμού από πομποδέκτη	<ul style="list-style-type: none"> <li>• 365 m (1200 ft) με χρήση ομοαξονικού καλωδίου RG-62 A/U</li> <li>• 365 m (1200 ft) με χρήση δισύρματου συνεστραμμένου ζεύγους/με θωράκιση πλέγματος και μεμβράνης 20 AWG (0,5 mm<sup>2</sup>), μανδύας PVC (SITRANS LUT400, SITRANS LUC500, MultiRanger 100/200 και HydroRanger 200 μόνο)</li> </ul>	<ul style="list-style-type: none"> <li>• 365 m (1200 ft) με χρήση ομοαξονικού καλωδίου RG-62 A/U</li> <li>• 365 m (1200 ft) με χρήση δισύρματου συνεστραμμένου ζεύγους/με θωράκιση πλέγματος και μεμβράνης 20 AWG (0,5 mm<sup>2</sup>), μανδύας PVC (SITRANS LUT400, SITRANS LUC500, MultiRanger 100/200 και HydroRanger 200 μόνο)</li> </ul>

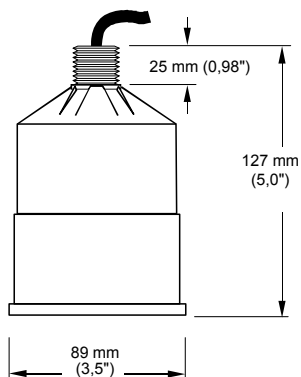
XRS-5		XRS-5C
Διάφορα		
Προστασία από διείσδυση	IP68	IP68
Βάρος <sup>1</sup>	1,2 kg (2,6 lb)	1,2 kg (2,6 lb)
Επιλογές	<ul style="list-style-type: none"> <li>• Με εργοστασιακή συγκόλληση προκειμένου να ικανοποιεί τα πρότυπα ANSI, DIN ή JIS</li> <li>• Με διαιρούμενη φλάντζα (επιτόπια τοποθέτηση), προκειμένου να ικανοποιεί τα πρότυπα ANSI, DIN ή JIS</li> <li>• Θωράκιση εμβάπτισης (εφαρμογές υπερπλήρωσης)</li> </ul>	<ul style="list-style-type: none"> <li>• Με εργοστασιακή συγκόλληση προκειμένου να ικανοποιεί τα πρότυπα ANSI, DIN ή JIS</li> <li>• Με διαιρούμενη φλάντζα (επιτόπια τοποθέτηση), προκειμένου να ικανοποιεί τα πρότυπα ANSI, DIN ή JIS</li> <li>• Θωράκιση εμβάπτισης (εφαρμογές υπερπλήρωσης)</li> </ul>
Εγκρίσεις	CE <sup>2</sup> , CSA, FM, IECEx/ATEX: INMETRO DNV 12.0078 X Ex mb IIC T6 Gb Ex tb IIIC T85°C Db IP66/IP68 -20 °C ≤ Ta ≤ +65 °C DNV #OCP 0017 ABNT NBR IEC 60079-0:2008, ABNT NBR IEC 60079-18:2010 και ABNT NBR IEC 60079-31:2011	CSA, βλέπε πινακίδα ονόματος της συσκευής

1. Προσεγγιστικό βάρος αποστολής του μορφοτροπέα με σύνθηδες μήκος καλωδίου.
2. Επιδόσεις EMC διαθέσιμες κατόπιν αίτησης.

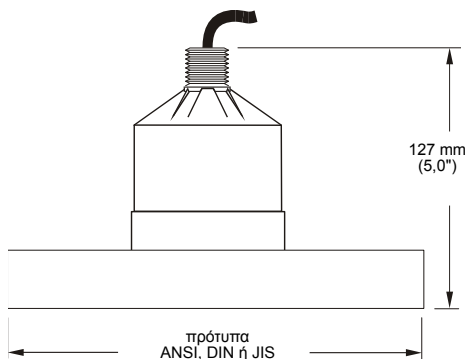
# Εγκατάσταση

## Διάγραμμα και διαστάσεις

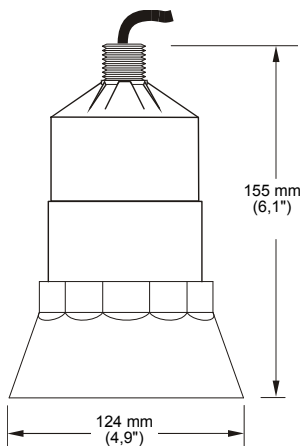
Στάντα



Φλάντζα (προαιρετική)



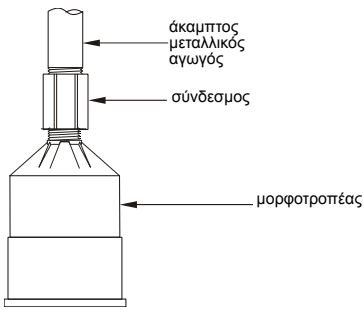
Θωράκιση εμβάπτισης



# Τοποθέτηση

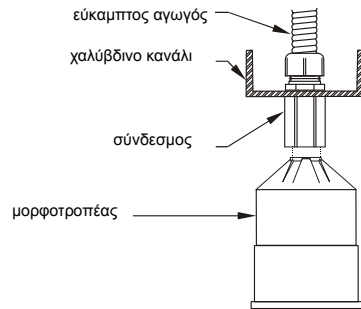
- Τοποθετήστε το μορφοτροπέα κατά τέτοιον τρόπο ώστε να βρίσκεται **πάνω από τη μέγιστη στάθμη υλικού τουλάχιστον κατά την τιμή νεκρής ζώνης** για ακριβή αποτελέσματα. Για πληροφορίες σχετικά με τη ρύθμιση της τιμής νεκρής ζώνης, ανατρέξτε στο εγχειρίδιο του σχετικού πομποδέκτη.
- Ο μορφοτροπέας πρέπει να τοποθετείται κατά τέτοιον τρόπο, ώστε ο άξονας εκπομπής να είναι **κάθετος προς την επιφάνεια του υγρού**.
- **Μην σφίγγετε υπερβολικά.** Αρκεί η σύσφιξη των υλικών τοποθέτησης με το χέρι.
- Χρησιμοποιήστε τον προαιρετικό **αισθητήρα θερμοκρασίας** όταν τοποθετείτε το μορφοτροπέα.

## Αιωρούμενος αγωγός

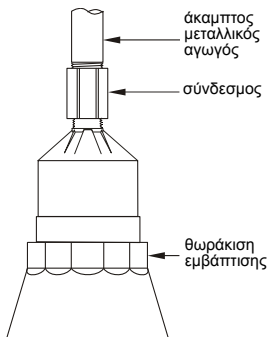


Ο μορφοτροπέας που είναι τοποθετημένος σε εύκαμπτο αγωγό δεν θα πρέπει να υποβάλλεται σε αέρα, κραδασμούς ή κυττήματα.

## Βραχίονας στήριξης

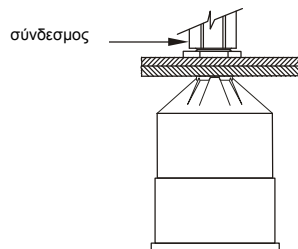


## Με δυνατότητα εμβάπτισης



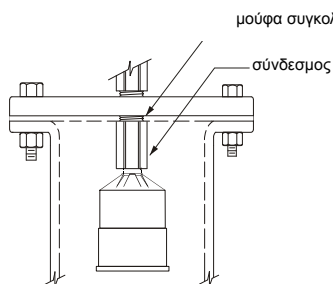
Μορφοτροπέας με δυνατότητα εμβάπτισης, χρησιμοποιείται σε εφαρμογές όπου υπάρχει πιθανότητα υπερπλήρωσης.

## Κόντρα πλακέ

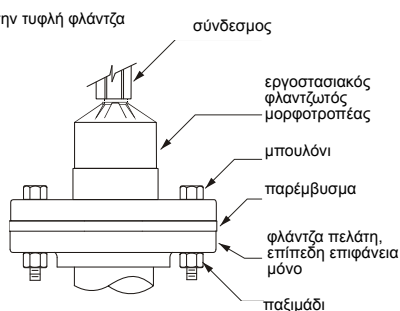


Η τοποθέτηση σε κόντρα πλακέ παρέχει άριστη μόνωση, πρέπει όμως να είναι επαρκώς άκαμπτη, ώστε να αποφευχθεί ενδεχόμενη κάμψη σε περίπτωση που υποβληθεί σε φορτίο.

## Τυφλή φλάντζα



## Επίπεδη φλάντζα



**Σημείωση:** Σφίξτε ομοιόμορφα τα μπουλόνια της φλάντζας, προκειμένου να διασφαλιστεί η σωστή στεγανοποίηση μεταξύ των φλαντζών εφαρμογής.

Προσοχή: Το υπερβολικό σφίξιμο μπορεί να προκαλέσει μείωση των επιδόσεων.

## Διασύνδεση

**Σημείωση:** Η εγκατάσταση πρέπει να πραγματοποιείται από εξειδικευμένο προσωπικό και σύμφωνα με τους κατά τόπους ισχύοντες κανονισμούς.

### Συνιστώμενοι κανόνες εγκατάστασης:

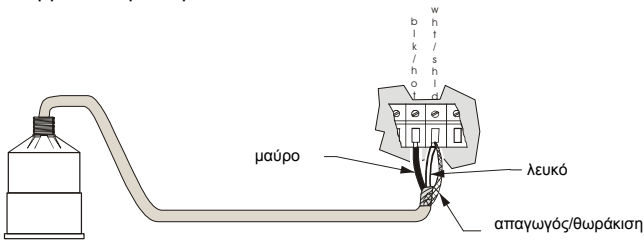
- Μην αφήνετε το καλώδιο ακάλυπτο. Αντ' αυτού, τοποθετήστε το ξεχωριστά μέσα σε γειωμένο μεταλλικό αγωγό, για να το προστατέψετε από τον περιβάλλοντα ηλεκτρικό θόρυβο.
- Στεγανοποιήστε όλες τις σπειροτομημένες συνδέσεις για να αποφευχθεί η διείσδυση υγρασίας.
- Μην τοποθετείτε το καλώδιο κοντά σε υψηλές τάσεις ή ρεύματα, ασφαλειοδιακόπτες ή οδηγούς ελέγχου SCR.

Σε όλα τα παραδείγματα που ακολουθούν, τα μπλοκ ακροδεκτών στον πομποδέκτη περιγράφονται στο εγχειρίδιο του ελεγκτή.



# Απευθείας σύνδεση

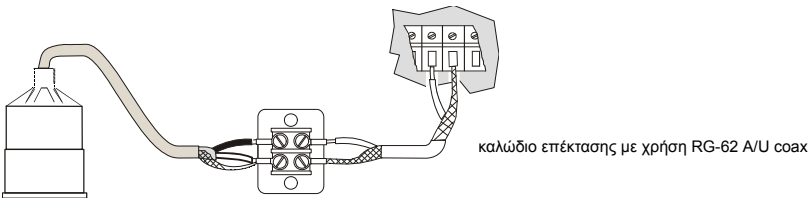
Συνδέστε το μορφοτροπέα απευθείας με τον πομποδέκτη Siemens χρησιμοποιώντας το δισύρματο θωρακισμένο καλώδιο.



Σημείωση: Κατά τη σύνδεση σε SITRANS LUT400, SITRANS LUC500, MultiRanger 100/200 ή HydroRanger 200, το λευκό, το μαύρο και το θωρακισμένο σύρμα συνδέονται ξεχωριστά. ΜΗΝ συνδέετε το λευκό με το θωρακισμένο σύρμα.

# Ομοαξονική σύνδεση

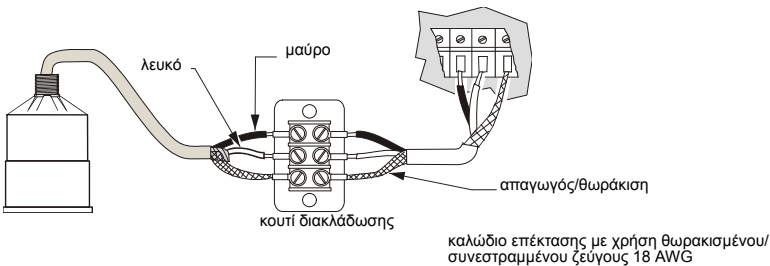
Συνδέστε το μορφοτροπέα με πομποδέκτη Siemens χρησιμοποιώντας ένα κουτί διακλάδωσης και το ομοαξονικό καλώδιο RG-62 A/U. Η διάταξη αυτή είναι κατάλληλη για συνδυαστικές περιπτώσεις έως 365 m (1200 ft).



Σημείωση: ΜΗΝ χρησιμοποιείτε ομοαξονικό καλώδιο κατά τη σύνδεση με SITRANS LUT400, SITRANS LUC500, MultiRanger 100/200 και HydroRanger 200. Ανατρέξτε στο παρακάτω διάγραμμα για τη σωστή διαδικασία.

# Δισύρματη επέκταση

(για SITRANS LUT400, SITRANS LUC500, MultiRanger 100/200 και HydroRanger 200 μόνο)



# Σημειώσεις

---

Ελληνικά

# EchoMax XRS-5 - Manual para la puesta en marcha rápida

Este manual describe las principales características y funciones del sensor EchoMax XRS-5. Este manual y la *Guía de aplicación de los transductores* están disponibles en: [www.siemens.com/processautomation](http://www.siemens.com/processautomation). Para obtener copias impresas contacte con un representante Siemens Milltronics.

**Para más información acerca de este documento contacte:**

Siemens Milltronics Process Instruments  
1954 Technology Drive, P.O. Box 4225  
Peterborough, Ontario, Canadá, K9J 7B1  
E-mail: [techpubs.smpi@siemens.com](mailto:techpubs.smpi@siemens.com)

**Representante autorizado para Europa**

Siemens AG  
Industry Sector  
76181 Karlsruhe  
Alemania

**Copyright Siemens Milltronics Process Instruments Inc. 2013. Todos los derechos reservados.**

**Exención de responsabilidad**

Recomendamos a nuestros usuarios obtengan copias impresas de la documentación o consulten las versiones digitales diseñadas y comprobadas por Siemens Milltronics Process Instruments. En ningún caso será Siemens Milltronics Process Instruments responsable de reproducciones totales o parciales de la documentación, ya sea de versiones impresas o electrónicas.

Hacemos todo lo necesario para garantizar la conformidad del contenido de este manual con el instrumento proporcionado. Sin embargo, estas informaciones quedan sujetas a cambios y no asumimos responsabilidad alguna en caso de modificaciones. Examinamos y corregimos el contenido de este manual regularmente y nos esforzamos en proporcionar publicaciones cada vez más completas. No dude en contactarnos si tiene preguntas o comentarios. Las especificaciones están sujetas a cambios.

MILLTRONICS es una marca registrada de Siemens Milltronics Process Instruments.

## Notas de seguridad

Es imprescindible respetar las indicaciones de seguridad para una utilización sin peligro alguno para el usuario, el personal, el instrumento y los equipos conectados a éste. Por motivos de claridad expositiva en los textos de indicación y de precaución se destaca el nivel de precaución necesario para cada intervención.



**ADVERTENCIA:** información que se refiere a un marcado colocado en el producto. Significa que al no observar las precauciones de seguridad se puede provocar la muerte, lesiones corporales graves y/o daños materiales considerables.



**ADVERTENCIA:** significa que la no observancia de las debidas precauciones podría tener como consecuencia la muerte, lesiones graves o importantes daños materiales.

**PRECAUCIÓN:** significa que al no observar las precauciones de seguridad se pueden producir daños materiales considerables.

**Nota:** es una información importante acerca del instrumento o de la parte respectiva del manual, al cual se debe atender especialmente.

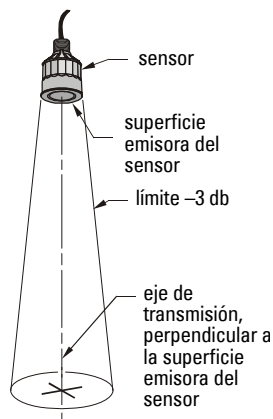
# Introducción

**Este instrumento está destinado a ser utilizado en áreas industriales. El uso de este aparato en instalaciones residenciales puede causar interferencias a varias comunicaciones por radio.**

Los sensores serie EchoMax XRS-5 se utilizan con los transmisores de nivel por ultrasonidos Siemens Milltronics.

El sensor convierte la energía eléctrica de la pulsación emitida por el emisor receptor en energía acústica. Luego convierte la energía acústica del eco de retorno en energía eléctrica, para el transmisor.

La energía acústica efectiva se genera en la cara del sensor y es radiada hacia afuera, disminuyendo en amplitud con un cociente inversamente proporcional al cuadrado de la distancia. La potencia máxima es irradiada axialmente (perpendicular) de la cara del sensor en el eje de transmisión. Cuando la potencia se reduce a la mitad ( $-3$  dB) se forma un límite cónico centrado en el eje de transmisión, que define el haz sonoro. La medida de diámetro de éste cono en grados se define como el ángulo de emisión.









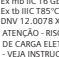
Los sensores XRS-5 incorporan un sensor de temperatura, que informa al transmisor de la temperatura del aire en el sensor ultrasónico.

# Instrucciones específicas relativas a instalaciones en emplazamientos peligrosos (Directiva Europea ATEX 94/9/CE, Anexo II, 1/0/6)

Estas instrucciones se refieren al dispositivo que ha obtenido el certificado número SIRA 99ATEX5091X.

1. El instrumento se puede utilizar en zonas con gases y vapores inflamables, con aparatos del Grupo II y clase de temperatura T1 - T6.
2. El instrumento cumple los requisitos de la clase de temperatura T85 °C y se puede utilizar con polvos inflamables.
3. Este dispositivo puede soportar temperaturas ambientes de -20 °C a +65 °C.
4. El sensor no se ha analizado como sistema de protección, como se indica en la Directiva 94/9/CE Anexo II, cláusula 1.5.
5. El sufijo 'X' en el número de certificado indica condiciones de instalación específicas. El personal responsable de la instalación y la verificación del aparato debe tener acceso al contenido del certificado.
6. El instrumento deberá recibir alimentación eléctrica de un dispositivo con un fusible apropiado, con una capacidad de ruptura de 1500A.
7. La instalación y la verificación de este aparato deberá efectuarse por personal calificado en conformidad con los códigos de práctica aplicables (EN 60079-14 y EN 60079-17 en Europa).
8. El aparato no se puede reparar.
9. La certificación de este instrumento se basa en la utilización de los siguientes materiales de construcción:
  - Mezcla adhesiva Chemgrip de Norton Performance Plastics
  - Material de la caja: ETFE
  - Material de la caja: PVDF
  - Encapsulado Dow-Corning 3-4207
  - Royal EPOCAP 42174/52174
  - Encapsulante Durapot 864 de Cotronics
10. El usuario es responsable de tomar las precauciones necesarias para evitar el daño del aparato y garantizar el nivel de protección obtenido, si existe la posibilidad de que esté en contacto con productos agresivos.
  - Productos agresivos: p.ej. : líquidos ácidos o gases que pueden dañar los metales, o disolventes que pueden dañar los polímeros.
  - Precauciones adecuadas: (p.ej.) confirmación de la resistencia a productos químicos específicos en base a la hoja de datos.

## XRS-5

<b>SIEMENS</b>				
XRS-5 ULTRASONIC TRANSDUCER Serial No: GTZ / A1034567 Ambient Temp.: - 20°C to 65°C V in: 1.77 V r.m.s.; 250 V p I in : 44.2 mA r.m.s.	 APPROVED	Class I, Zone 1 AEx m IIC, T6, IP68 Class II, III, Div 1, Group E, F, G Per Dwg.: 0-86500032-DI-A Max. Torque: 12 FT-LBS	 0518	 II 2 G D Ex mb IIC T6 Gb Ex Ib III C T85°C Db SIRA 99ATEX5091X IECEx SIR 09.0005X
 159134		Class I, Div 2, Group A, B, C, D Class II, Div 1, Group E, F, G IP66 / IP68 (ZM)		 KCC-REM-549 Echomax
Siemens Millitronics Process Instruments, Peterborough				 Ex mb IIC T6 Gb Ex Ib III C T85°C Db DNV 12.0078 X ATENÇÃO - RISCO POTENCIAL DE CARGA ELETROSTÁTICA - VEJA INSTRUÇÕES

### Nota:

- Los números de configuración sólo se proporcionan a título orientativo.
- Los números de serie sólo se proporcionan a título orientativo.

# Especificaciones

		XRS-5	XRS-5C
<b>Proceso</b>			
<b>Aplicación</b>		Líquidos y lechadas	Líquidos y lechadas
<b>Rango de medida</b>		0,3 - 8 m (1 - 26 ft)	0,3 - 8 m (1 - 26 ft)
<b>Presión en el tanque</b>		Atmosférica	Atmosférica
<b>Funcionamiento</b>			
<b>Ángulo del haz</b>		10	10
<b>Frecuencia</b>		43 KHz	43 KHz
<b>Sensor de temperatura</b>		Incorporado	Incorporado
<b>Alimentación eléctrica</b>		El sensor sólo puede funcionar conectado a los controladores Siemens	El sensor sólo puede funcionar conectado a los controladores Siemens
<b>Condiciones ambientales</b>			
<b>Ubicación</b>		montaje interior/a prueba de intemperie	montaje interior/a prueba de intemperie
<b>Temperatura ambiente</b>		-20 ... 65 °C (-4 ... 149 °F)	-20 ... 65 °C (-4 ... 149 °F)
<b>Altitud máxima</b>		2000 m	2000 m
<b>Grado de contaminación</b>		4	4
<b>Construcción</b>			
<b>Carcasa</b>		• Cuerpo PVDF y cara CSM	• Cuerpo PVDF y cara CSM • Conexión al proceso de acero inoxidable
<b>Montaje</b>		Conexión al proceso 1" NPT o BSP	Conexión al proceso 1" NPT
<b>Cableado</b>			
<b>Tipo de cable</b>		2 hilos apantallado trenzado 0,5mm <sup>2</sup> (18 AWG), material aislante PVC	2 hilos apantallado trenzado 0,5mm <sup>2</sup> (18 AWG), material aislante PVC
<b>Máxima separación sensor/transmisor</b>		<ul style="list-style-type: none"> <li>• 365 m (1200 ft) con cable coaxial RG-62 A/U</li> <li>• 365 m (1200 ft) con cable 2 conductores par trenzado/apantallado con blindaje metálico, sección 0,5mm<sup>2</sup> (20 AWG), material aislante PVC (SITRANS LUT400, SITRANS LUC500, MultiRanger 100/200, y HydroRanger 200 únicamente)</li> </ul>	<ul style="list-style-type: none"> <li>• 365 m (1200 ft) con cable coaxial RG-62 A/U</li> <li>• 365 m (1200 ft) con cable 2 conductores par trenzado/apantallado con blindaje metálico, sección 0,5mm<sup>2</sup> (20 AWG), material aislante PVC (SITRANS LUT400, SITRANS LUC500, MultiRanger 100/200, y HydroRanger 200 únicamente)</li> </ul>

## Varios

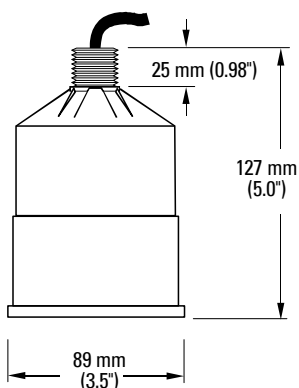
Índice de protección	IP68	IP68
Peso <sup>1</sup>	1,2 kg (2.6 lb)	1,2 kg (2.6 lb)
Opciones	<ul style="list-style-type: none"> <li>• Unidas en fábrica en conformidad con los estándares ANSI, DIN y JIS</li> <li>• Brida partida (montaje en campo) conforme a los estándares ANSI, DIN y JIS</li> <li>• Vaina anti inundación (aplicaciones con riesgo de inmersión)</li> </ul>	<ul style="list-style-type: none"> <li>• Unidas en fábrica en conformidad con los estándares ANSI, DIN y JIS</li> <li>• Brida partida (montaje en campo) conforme a los estándares ANSI, DIN y JIS</li> <li>• Vaina anti inundación (aplicaciones con riesgo de inmersión)</li> </ul>
Aprobaciones	CE <sup>2</sup> , CSA, FM, IECEx/ATEX: INMETRO DNV 12.0078 X Ex mb IIC T6 Gb Ex tb IIIC T85°C Db IP66/IP68 -20 °C ≤ Ta ≤ +65 °C DNV #OCP 0017 ABNT NBR IEC 60079-0:2008, ABNT NBR IEC 60079-18:2010 y ABNT NBR IEC 60079-31:2011	CSA, ver la placa de identificación del aparato

1. Peso de transporte aproximado del sensor con cable, longitud estándar.
2. Certificado relativo a CEM disponible bajo demanda.

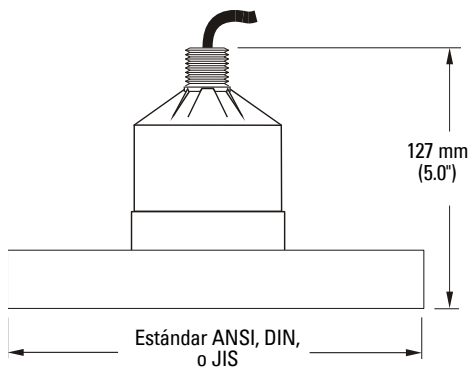
# Instalación

## Esquema de dimensiones

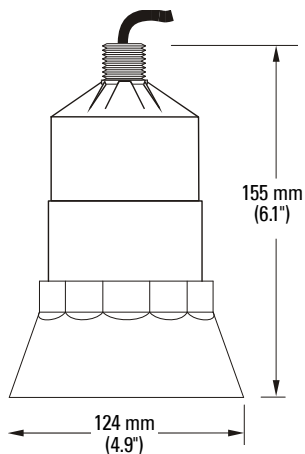
**Estándar**



**Brida (opcional)**



**Vaina anti inundación**

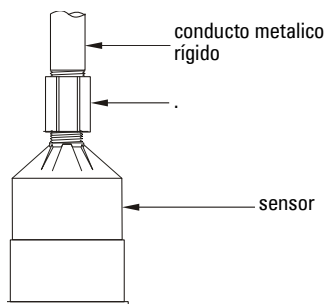




# Montaje

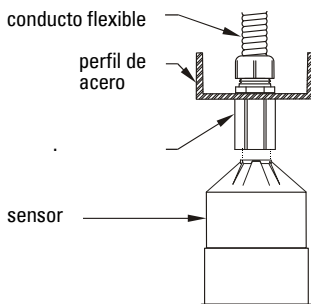
- Para máxima fiabilidad instalar el sensor a una distancia **por lo menos equivalente a la zona muerta, por encima del nivel más alto de material**. El usuario encontrará más información sobre el ajuste de la zona muerta en el manual de instrucciones del transmisor de nivel.
- En aplicaciones con líquidos, montar el sensor para que el eje de transmisión sea **perpendicular a la superficie del líquido**.
- **No apretar excesivamente durante el montaje**. Apretar el material manualmente.
- Se recomienda utilizar el sensor ultrasónico con el **sensor de temperatura** opcional.

## Conducto suspendido

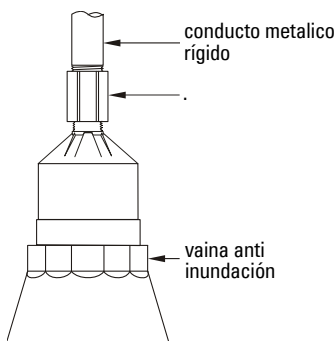


El sensor suspendido no debe exponerse al viento ni a vibraciones.

## Soporte

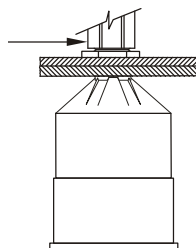


## Vaina anti-inundación



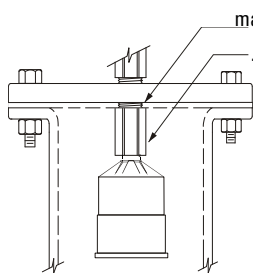
Sensor con vaina anti inundación para aplicaciones con riesgo de inmersión.

## Madera contrachapada

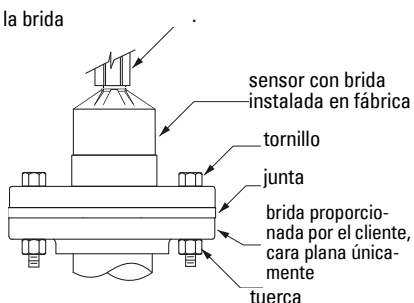


Un soporte de madera contrachapada ofrece un excelente aislamiento (debe ser lo suficientemente rígido).

## Brida sin visibilidad



## Cara de la brida



**Nota:** Apretar los tornillos de la brida uniformemente para garantizar una junta hermética entre las bridas.

**Precaución:** Paramayor rendimiento evitar apretar excesivamente.

# Interconexión

**Nota:** La instalación del instrumento debe ser realizada solamente por especialistas capacitados, respetando las normas específicas del país.

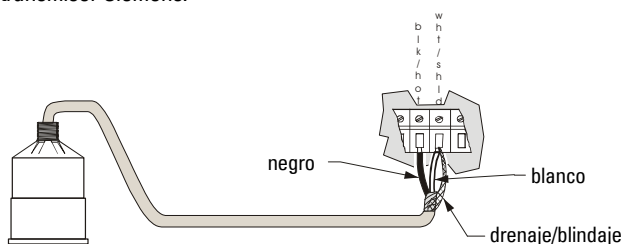
## Recomendaciones para la instalación:

- Conducir los cables por tubería metálica conectada a tierra, sin ningún otro cable para obtener una mejor inmunidad al ruido ambiental.
- Sellar todas las conexiones herméticamente para evitar infiltración y humedad.
- Evitar la instalación del cable cerca de fuentes de alta tensión o alta intensidad, contactores y sistemas de control, SCR.

En los ejemplos a continuación véase el manual de instrucciones del controlador para más detalles acerca de los bloques de terminales del transmisor.

## Conexión directa

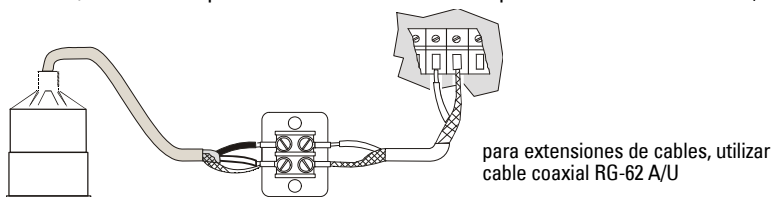
Utilizar un cable de 2 conductores blindado para conectar directamente el sensor al transmisor Siemens.



**Nota:** Para conectar el sensor y un transmisor SITRANS LUT400, SITRANS LUC500, MultiRanger 100/200, o HydroRanger 200 conectar el cable blanco, negro y el blindaje separadamente. Es imprescindible NO conectar el cable blanco y el blindaje juntos.

## Conexión coaxial

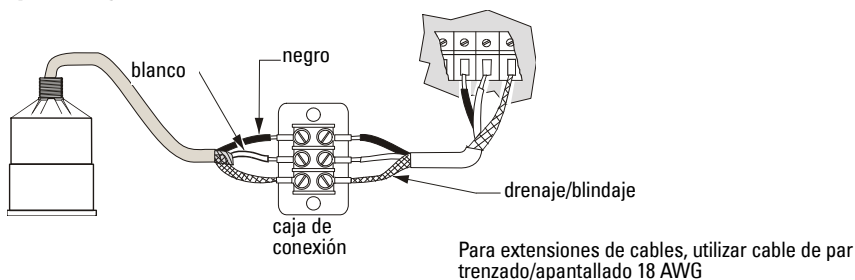
Conectar el sensor al transmisor Siemens con una caja de conexiones y un cable coaxial RG-62 A/U. Con este tipo de instalación se admiten separaciones de hasta 365 m (1200 ft).



**Nota:** NO utilizar cable coaxial para conectar el sensor con un transmisor SITRANS LUT400, SITRANS LUC500, MultiRanger 100/200 o HydroRanger 200. Para más detalles véase la descripción a continuación.

## Extensión 2 hilos

(Sólo para SITRANS LUT400, SITRANS LUC500, MultiRanger 100/200 y HydroRanger 200).



# Notas

---

# EchoMax XRS-5

## Manuel pour la mise en service rapide

Ce document décrit les caractéristiques et les fonctions essentielles des transducteurs EchoMax XRS-5. Vous pouvez télécharger ce document, ainsi que le *Guide d'application des transducteurs* à partir du : [www.siemens.com/processautomation](http://www.siemens.com/processautomation). Pour obtenir une version imprimée du document, contactez votre représentant Siemens Milltronics.

**Toute question sur le contenu de ce document peut être adressée à :** **Représentant autorisé en Europe**

Siemens Milltronics Process Instruments  
1954 Technology Drive, P.O. Box 4225  
Peterborough, Ontario, Canada, K9J 7B1  
E-mail : [techpubs.smpi@siemens.com](mailto:techpubs.smpi@siemens.com)

Siemens AG  
Secteur Industry  
76181 Karlsruhe  
Allemagne

**Copyright Siemens Milltronics Process Instruments 2013. Tous droits réservés.**

**Clause de non-responsabilité**

Nous encourageons les utilisateurs à se procurer les exemplaires imprimés de ces documents, ou les versions électroniques préparées et validées par Siemens Milltronics Process Instruments. Siemens Milltronics Process Instruments ne pourra être tenu responsable du contenu de toute reproduction totale ou partielle des versions imprimées ou électroniques.

Le contenu de ce document a été vérifié pour garantir la conformité avec les caractéristiques de l'instrument. Des divergences étant possibles, nous ne pouvons en aucun cas garantir la conformité totale. Ce document est révisé et actualisé régulièrement pour inclure les nouvelles caractéristiques. N'hésitez pas à nous faire part de vos commentaires.

Sous réserve de modifications techniques.

MILLTRONICS est une marque déposée de Siemens Milltronics Process Instruments

## Consignes de sécurité

Il est important de respecter les consignes fournies dans ce document afin de garantir la sécurité de l'utilisateur ou de tiers et la protection de l'instrument ou de tout équipement connecté à ce dernier. Chaque avertissement s'associe à une explication détaillée du niveau de précaution recommandé pour chaque opération.



**AVERTISSEMENT : fait référence à une mention sur le produit. Signifie que la mort, des blessures corporelles graves et/ou des dommages matériels conséquents peuvent se produire si les dispositions de sécurité correspondantes ne sont pas respectées.**



**AVERTISSEMENT : signifie que la mort, des blessures corporelles graves et/ou des dommages matériels conséquents peuvent se produire si les dispositions de sécurité correspondantes ne sont pas respectées.**

**PRECAUTION : signifie que des dommages matériels conséquents peuvent se produire si les dispositions de sécurité correspondantes ne sont pas respectées.**

**N.B. :** information importante concernant l'appareil ou une section particulière des instructions de service.

# Introduction

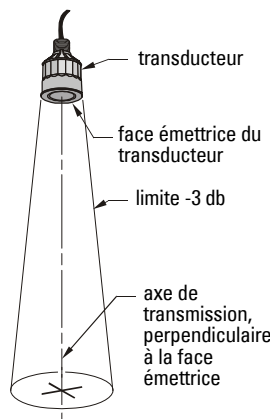
**Cet appareil est conçu pour une utilisation en milieu industriel. En cas d'utilisation en zone résidentielle, cet appareil peut provoquer différentes interférences radio.**

Le transducteur EchoMax XRS-5 est relié aux transmetteurs de niveau ultrasoniques de Siemens Milltronics.

Le transducteur convertit l'énergie électrique de l'impulsion émise par le transmetteur, en énergie acoustique. L'énergie acoustique de l'écho est ensuite convertie en énergie électrique pour le transmetteur.

L'énergie acoustique est émise de la face émettrice du transducteur et rayonnée vers l'extérieur. Son amplitude est décroissante à un taux inversement proportionnel au carré de la distance. La puissance maximale est obtenue sur l'axe de transmission, ligne perpendiculaire à la face émettrice du transducteur. Le cône virtuel, centré sur l'axe de transmission, et dont l'enveloppe passe par le point où la puissance acoustique est réduite de moitié (-3 dB), définit l'angle du faisceau d'émission.

Les transducteurs XRS-5 sont équipés d'un capteur de température interne. Ce capteur mesure la température de l'air au transducteur pour la rapporter au transmetteur.











# Instructions spécifiques aux installations en zone dangereuse

## (réf. Directive Européenne ATEX 94/9/CE, Annexe II, 1/0/6)

Consignes applicables à l'appareil objet du certificat numéro SIR A 99ATEX5091X.

- L'appareil peut être utilisé en présence de gaz et de vapeurs inflammables, avec des instruments de groupe II, classification de température T1-T6.
- L'appareil peut être utilisé en présence de poussières inflammables, classification de température T85 °C.
- L'appareil peut être utilisé lorsque la température ambiante varie entre -20 °C et +65 °C.
- Conformément à la Directive 94/9/CE Annexe II, clause 1,5, cet appareil n'est pas considéré un dispositif de sécurité.
- Le suffixe 'X' du numéro de certificat fait référence à des conditions spéciales, applicables à l'installation et à l'utilisation. Toute personne habilitée à installer ou à vérifier cet appareil doit pouvoir consulter le contenu du certificat.
- Cet appareil doit être alimenté par un système comportant un fusible approprié, avec un pouvoir de coupure de 1500A.
- L'installation et la vérification de cet appareil doivent être effectuées par un personnel qualifié, en accord avec le code de bonne pratique applicable (EN 60079-14 et EN60079-17 pour l'Europe).
- L'appareil ne peut pas être réparé.
- Cet appareil est conçu avec les matériaux suivants, pour permettre un fonctionnement fiable en zone certifiée :
  - Pâte d'adhésion Norton Performance Plastics Chemgrip
  - Boîtier ETFE
  - Boîtier PVDF
  - Protection isolante Dow-Corning 3-4207
  - Royal EPOCAP 42174/52174
  - Protection isolante Durapot 864 Cotronics
- Lorsque l'appareil peut entrer en contact avec des substances agressives, il incombe à l'utilisateur de prendre les mesures adéquates pour empêcher sa détérioration et garantir le degré de protection.
  - Substances agressives : liquides ou gaz acides susceptibles d'attaquer les métaux, ou solvants agressifs pour les matériaux polymérisés.
  - Précautions adéquates : (exemple) déterminer, à l'aide de la fiche technique, si le matériel résiste à certaines substances chimiques.

### XRS-5

<b>SIEMENS</b>					
XRS-5 ULTRASONIC TRANSDUCER Serial No: GYZ1A1034567 Ambient Temp. : -20°C to 65°C V in: 1.77 V r.m.s.; 250 V p I in: 44.2 mA r.m.s.		Class I, Zone 1 ATEX m IIC, T6, IP68 Class II, III, Div 1, Group E, F, G Per Dwg. 0-86560032-D/A-A Max. Torque: 12 FT-LBS			II 2 G D Ex mb IIC T6 Gb Ex tb IIIc T85°C Db SIRA 99ATEX5091X IECEx SIR09.0005X
	Class I, Div 2, Group A, B, C, D Class II, Div 1, Group E, F, G IP66 / IP68 (2M)		 <b>WARNING:</b> Static Hazard, Do Not Rub With Dry Cloth.		
Siemens Mitronics Process Instruments, Peterborough					
			INMETRO Ex mb IIC T6 Gb Ex tb IIIc T85°C Db DNV 12 0078 X ATENÇÃO - RISCO POTENCIAL DE CARGA ELETROSTÁTICA - VEJA INSTRUÇÕES		

### N.B. :

- Le numéro de configuration du produit est fourni à titre indicatif.
- Le numéro de série est fourni à titre indicatif.

# Caractéristiques techniques

XRS-5		XRS-5C
<b>Process</b>		
Application	Liquides et boues liquides	Liquides et boues liquides
Plage de mesure	0,3 - 8 m (1 - 26 ft)	0,3 - 8 m (1 - 26 ft)
Pression dans la cuve	Atmosphérique	Atmosphérique
<b>Fonctionnement</b>		
Angle du faisceau	10	10
Fréquence	43 KHz	43 KHz
Capteur de température	Interne	Interne
Alimentation auxiliaire	Utilisation du transducteur avec un contrôleur de niveau Siemens uniquement	Utilisation du transducteur avec un contrôleur de niveau Siemens uniquement
<b>Caractéristiques environnementales</b>		
Emplacement	Intérieur/extérieur	Intérieur/extérieur
Température ambiante	-20 ... 65 °C (-4 ... 149 °F)	-20 ... 65 °C (-4 ... 149 °F)
Altitude maximale	2000 m	2000 m
Degré de pollution	4	4
<b>Construction</b>		
Corps	<ul style="list-style-type: none"> <li>Corps PVDF, face émettrice CSM</li> </ul>	<ul style="list-style-type: none"> <li>Corps PVDF, face émettrice CSM</li> <li>Raccord conduit en acier inoxydable</li> </ul>
Montage	Raccord de conduit 1" NPT ou BSP	Raccord de conduit 1" NPT
<b>Câblage</b>		
Type de câble	2 conducteurs blindés/torsadés, 0,5mm <sup>2</sup> (18 AWG) gaine PVC	2 conducteurs blindés/torsadés, 0,5mm <sup>2</sup> (18 AWG) gaine PVC
Séparation maximale du transmetteur	<ul style="list-style-type: none"> <li>365 m (1200 ft), avec câble coaxial RG-62 A/U</li> <li>365 m (1200 ft) de câble à paire torsadée 2 fils, blindé, 0,5 mm<sup>2</sup> (20 AWG), gaine PVC (uniquement pour SITRANS LUT400, SITRANS LUC500, MultiRanger 100/200, et HydroRanger 200)</li> </ul>	<ul style="list-style-type: none"> <li>365 m (1200 ft), avec câble coaxial RG-62 A/U</li> <li>365 m (1200 ft) de câble à paire torsadée 2 fils, blindé, 0,5 mm<sup>2</sup> (20 AWG), gaine PVC (uniquement pour SITRANS LUT400, SITRANS LUC500, MultiRanger 100/200, et HydroRanger 200)</li> </ul>



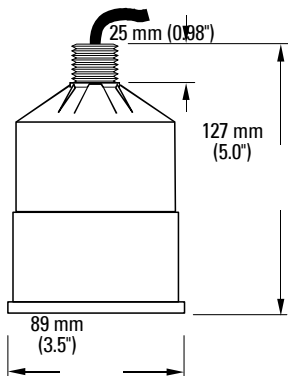
Divers		
<b>Indice de protection</b>	IP68	IP68
<b>Poids<sup>1</sup></b>	1,2 kg (2.6 lb)	1,2 kg (2.6 lb)
<b>Options</b>	<ul style="list-style-type: none"> <li>• Bride installée en usine, configuration ANSI, DIN et JIS</li> <li>• Bride installée sur site, configuration ANSI, DIN et JIS</li> <li>• Kit de submersion (applications avec risque de débordement)</li> </ul>	<ul style="list-style-type: none"> <li>• Bride installée en usine, configuration ANSI, DIN et JIS</li> <li>• Bride installée sur site, configuration ANSI, DIN et JIS</li> <li>• Kit de submersion (applications avec risque de débordement)</li> </ul>
<b>Homologations</b>	CE <sup>2</sup> , CSA, FM, IECEx/ATEX : INMETRO DNV 12.0078 X Ex mb IIC T6 Gb Ex tb IIIC T85°C Db IP66/IP68 -20 °C ≤ Ta ≤ +65 °C DNV #OCP 0017 ABNT NBR IEC 60079-0:2008, ABNT NBR IEC 60079-18:2010 et ABNT NBR IEC 60079-31:2011	CSA, cf. plaque signalétique

1. Poids d'expédition approximatif du transducteur + câble (longueur standard).
2. Certificat CEM disponible sur demande.

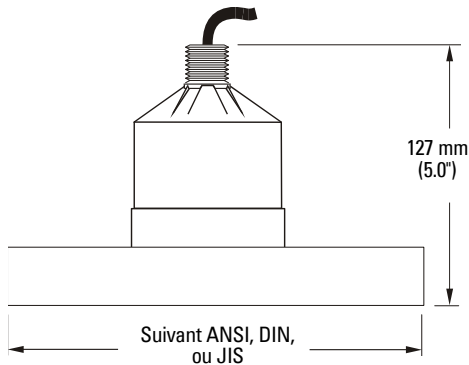
# Installation

## Encombrement

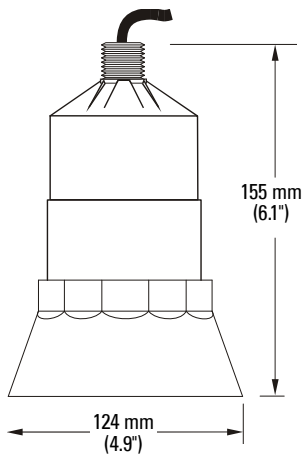
**Standard**



**Bride (option)**



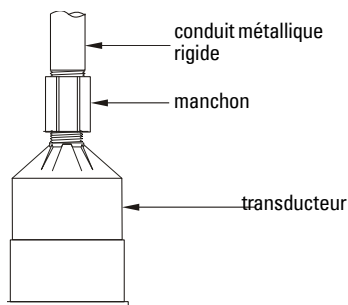
**Kit de submersion**



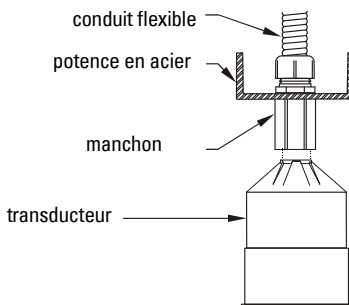
# Montage

- Lors du montage du transducteur, respecter une **distance minimale équivalente à la valeur de la zone morte au dessus du niveau maximum** du matériau. Pour plus de détails sur le réglage de la zone morte se reporter aux instructions de service du transmetteur associé au transducteur.
- Pour les applications avec liquides, monter le transducteur de telle sorte que l'axe d'émission soit **perpendiculaire à la surface du liquide**.
- **Éviter un serrage excessif**. Le serrage manuel du matériel est généralement suffisant.
- Le transducteur peut être associé à un **capteur de température** optionnel au moment du montage.

## Conduit suspendu

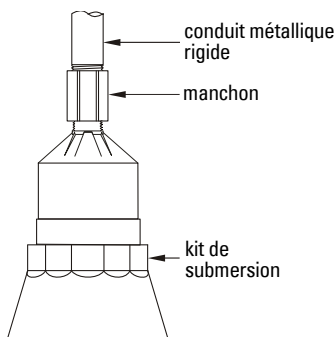


## Potence

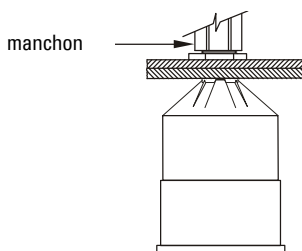


Tout transducteur monté avec un conduit flexible ne doit pas être exposé au vent, aux vibrations et aux secousses.

## Submersible



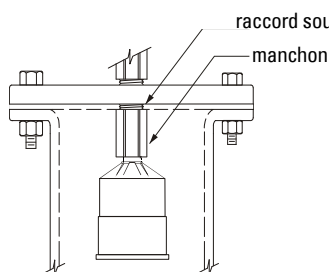
## Support contre-plaqué



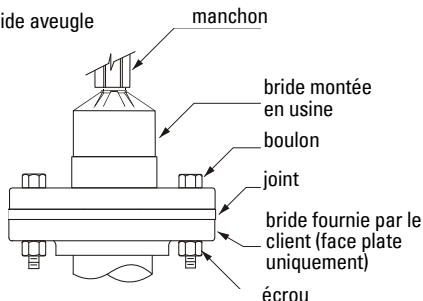
Transducteur submersible, utilisé dans les applications avec risque de débordement.

Le montage sur un support en bois contre-plaqué garantit une excellente isolation aux vibrations. Prévoir une plaque suffisamment rigide pour éviter toute flexion.

### Bride pleine ou aveugle



### Montage sur bride



**N.B. :** Pour garantir l'étanchéité entre les différentes surfaces en contact, appliquer le même couple de serrage à toutes les vis (brides).

**Précaution :** Le serrage excessif peut affecter la performance de l'appareil.

## Interconnexion

**N.B. :** L'installation doit être effectuée par un personnel qualifié, en accord avec les dispositions réglementaires locales.

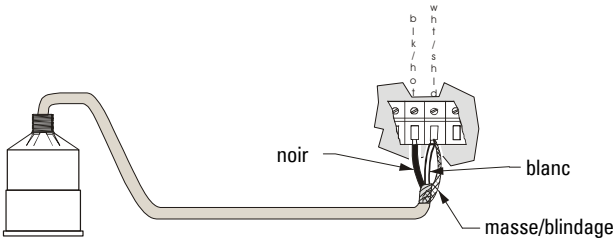
### Recommandations pour l'installation :

- Ne pas acheminer le câble dans un chemin de puissance. Pour une isolation optimale contre les bruits électriques, installer le câble sous gaine métallique mise à la terre, sans aucun autre câble.
- Assurer un serrage hermétique des connexions pour éviter toute humidité d'infiltration.
- Éviter l'installation du câble près de sources haute tension ou haute intensité, contacteurs et systèmes de commande à thyristors.

Les borniers de connexion mentionnés dans les exemples suivants sont décrits dans le manuel d'utilisation du contrôleur de niveau.

## Connexion directe

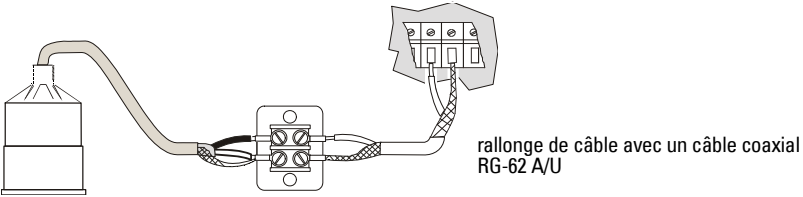
Le transducteur doit être connecté directement au transmetteur Siemens avec un câble blindé à 2 conducteurs.



**N.B. :** Connecter le blindage, le câble blanc et le câble noir séparément lorsque le transducteur est relié à un transmetteur SITRANS LUT400, SITRANS LUC500, MultiRanger 100/200 ou HydroRanger 200. NE PAS associer le blindage et le câble blanc lors de la connexion.

## Extension coaxiale

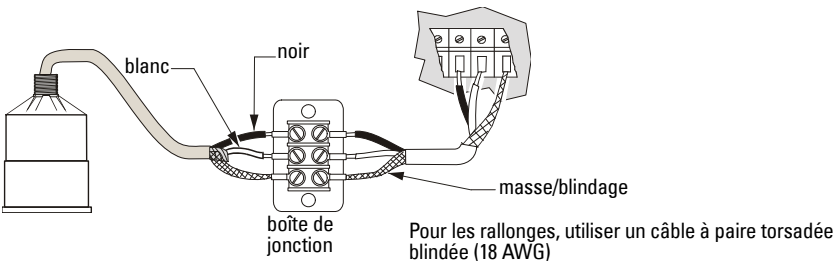
Utiliser une boîte de jonction et un câble coaxial RG-62 A/U pour connecter le transducteur au transmetteur Siemens. Ce type d'installation est conseillé pour les longueurs de câble jusqu'à 365 m (1200 ft).



**N.B. :** NE PAS utiliser un câble coaxial pour connecter le transducteur à un transmetteur SITRANS LUT400, SITRANS LUC500, MultiRanger 100/200 ou HydroRanger 200. Se reporter au schéma ci-dessous pour plus de détails.

## Extension 2 fils

(SITRANS LUT400, SITRANS LUC500, MultiRanger 100/200 et HydroRanger 200 uniquement)



# Notes

---

# EchoMax XRS-5 Manuale di avvio rapido

Questo manuale descrive le funzioni principali del trasduttore EchoMax XRS-5. Questo documento così come il *Manuale di applicazione dei trasduttori* è disponibile per il download gratuito sul nostro sito web: [www.siemens.com/processautomation](http://www.siemens.com/processautomation). È possibile acquistare una versione stampata del manuale presso il proprio rappresentante locale di Siemens.

**Per ulteriori informazioni su queste istruzioni, rivolgersi a:**

Siemens Milltronics Process Instruments  
1954 Technology Drive, P.O. Box 4225  
Peterborough, Ontario, Canada, K9J 7B1  
Email: [techpubs.smpi@siemens.com](mailto:techpubs.smpi@siemens.com)

**Rappresentante autorizzato (Europa)**

Siemens AG  
Industry Sector  
76181 Karlsruhe  
Germania

**Copyright Siemens Milltronics Process Instruments 2013. Tutti i diritti riservati**

**Clausola di esclusione della responsabilità**

Si consiglia agli utenti di acquisire manuali stampati autorizzati o di consultare le versioni elettroniche progettate e realizzate da Siemens Milltronics Process Instruments. Siemens Milltronics Process Instruments non potrà essere ritenuta responsabile per la riproduzione parziale o totale del contenuto delle versioni stampate o elettroniche.

La conformità tra lo stato tecnico dell'apparecchio e il contenuto di queste istruzioni è stato verificato; tuttavia, potrebbero essere riscontrate alcune variazioni. Non garantiamo pertanto la completa conformità delle istruzioni con l'apparecchio descritto. Si avvisa inoltre che tutti i documenti vengono regolarmente controllati ed aggiornati e che le eventuali correzioni vengono incluse nelle versioni successive. Si invitano gli utenti a trasmetterci i propri suggerimenti e commenti. Dati tecnici soggetti a cambiamenti senza alcun preavviso.

MILLTRONICS è un marchio registrato di Siemens Milltronics Process Instruments.

## Indicazioni di sicurezza

L'apparecchio deve essere usato solo osservando le avvertenze. Un utilizzo non corretto potrebbe causare danni anche gravi alle persone, sia al prodotto e agli apparecchi ad esso collegati. Le avvertenze contengono una spiegazione dettagliata del livello di sicurezza da osservare.



**AVVERTENZA:** questo simbolo sul prodotto indica che la mancata osservazione delle precauzioni necessarie può causare morte o gravi lesioni personali nonché seri danni materiali.



**AVVERTENZA:** questo simbolo indica che la mancata osservazione delle precauzioni necessarie può causare morte o gravi lesioni personali nonché seri danni materiali.

**AVVERTENZA:** questo simbolo indica che la mancata osservazione delle precauzioni necessarie può causare seri danni materiali.

**Nota:** le note contengono importanti informazioni sul prodotto o sulla sezione delle istruzioni operative a cui viene fatto riferimento.

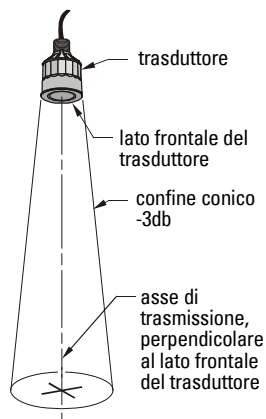
# Introduzione

**Questo apparecchio è stato progettato per l'uso in ambienti industriali. L'uso di questo apparecchio in zone residenziali può causare disturbi a diverse comunicazioni radiofoniche.**

I trasduttori serie EchoMax XRS-5 funzionano con prodotti di monitoraggio del livello ultrasonico Siemens Milltronics.

Il trasduttore converte in energia acustica l'energia elettrica dell'impulso di trasmissione proveniente dal controller. L'energia acustica dell'eco viene quindi di nuovo convertita in energia elettrica per il controller.

Il lato frontale del trasduttore emette energia acustica che si irradia verso l'esterno, diminuendo in ampiezza a una velocità inversamente proporzionale al quadrato della distanza. La potenza massima si irradia perpendicolarmente dal lato frontale del trasduttore lungo l'asse di trasmissione. Quando la potenza è ridotta del 50% (-3 dB), un confine conico centrato sull'asse di trasmissione definisce il fascio acustico, il cui diametro corrisponde all'apertura del fascio.



I trasduttori XRS-5 sono dotati di un sensore di temperatura integrato che rileva la temperatura dell'aria presso il trasduttore e ne informa il controller.










# Istruzioni specifiche per apparecchiature utilizzate in zone potenzialmente esplosive (Direttiva Europea ATEX 94/9/CE, allegato II, 1/0/6)

Le istruzioni che seguono riguardano apparecchiature contrassegnate dal numero di certificato SIRA 99ATEX5091X.

1. L'apparecchio può essere utilizzato in atmosfere potenzialmente esplosive composte da gas o vapori pericolosi con dispositivi del Gruppo II, Classe di temperatura T1 - T6.
2. L'apparecchio è caratterizzato da una classe di temperatura T85 °C e può essere utilizzato in atmosfere che contengono polveri infiammabili.
3. Questo apparecchio certificato resiste a temperature ambientali tra -20 e +65 °C.
4. Questo apparecchio non è stato definito dispositivo di sicurezza nell'ambito della direttiva CE 94/0/CE Allegato II, clausola 1.5.
5. Il suffisso 'X' del numero di certificato si riferisce a condizioni speciali per l'uso sicuro. Il personale responsabile dell'installazione e dell'ispezione dell'apparecchio deve poter accedere al contenuto di tale certificato.
6. Questo apparecchio deve essere alimentato esclusivamente tramite un circuito dotato di un fusibile di tensione nominale adeguata, con una capacità di interruzione pari a 1500A.
7. L'installazione e l'ispezione di questo apparecchio devono essere eseguite da personale qualificato in conformità con le normative locali correnti (EN 60079-14 e EN 60079-17 in Europa).
8. L'apparecchiatura non può essere riparata.
9. La certificazione di questi apparecchi si basa sull'utilizzo dei seguenti materiali di fabbricazione:
  - Composto aderente Chemgrip, Norton Performance Plastics
  - Custodia di ETFE
  - Custodia di PVDF
  - Rivestimento Dow-Corning 3-4207
  - Royal EPOCAP 42174/52174
  - Incapsulante Durapot 864, Cotronics
10. Se esiste la possibilità che l'apparecchio entri in contatto con sostanze aggressive, l'utente è responsabile ed è tenuto a prendere le debite precauzioni in modo da evitare che essa venga danneggiata, assicurandosi pertanto che non venga compromesso il tipo di protezione.
  - Sostanze aggressive: ad esempio, liquidi o gas acidi in grado di attaccare e corrodere metalli, o solventi in grado di danneggiare materiali polimerici.
  - Precauzioni adatte: ad esempio, consultazione delle specifiche dei materiali relative alla resistenza a sostanze chimiche specifiche.

## XRS-5

<b>SIEMENS</b> XRS-5 ULTRASONIC TRANSDUCER Serial No: GYZ1A1034567 Ambient Temp.: -20°C to 65°C V in: 1.77 V r.m.s., 250 V p I in: 44.2 mA r.m.s.		 Class I, Zone 1 AEx m IIC, T6, IP68 Class II, III, Div 1, Group E, F, G Per Dwg.: 0-8650003Z-DI-A Max. Torque: 12 Ft-Lbs	 0518  II 2 G D Ex mb IIC T6 Gb Ex tb IIC T85°C Db SIRA 99ATEX5091X IECEx SIR 09.0005X	<b>Segurança</b>  KCC-REM-549 Echomax  Ex mb IIC T6 Gb Ex tb IIC T85°C Db DNV 12.0078 X ATENÇÃO - RISCO POTENCIAL DE CARGA ELETROSTÁTICA - VEJA INSTRUÇÕES
Siemens Milltronics Process Instruments, Peterborough		 159134 Class I, Div 2, Group A, B, C, D Class II, Div 1, Group E, F, G IP66 / IP68 (2M)	 <b>WARNING:</b> Static Hazard, Do Not Rub With Dry Cloth.	

### Nota:

- Il numero di configurazione è fornito a scopo informativo.
- Il numero di serie è fornito a scopo informativo.

# Specifiche tecniche

XRS-5		XRS-5C
<b>Processo</b>		
Applicazione	Liquidi e fanghi	Liquidi e fanghi
Campo di misura	0,3 - 8 m (1 - 26 ft)	0,3 - 8 m (1 - 26 ft)
Pressione nel serbatoio	Atmosferica	Atmosferica
<b>Funzionamento</b>		
Angolo del fascio	10	10
Frequenza	43 KHz	43 KHz
Sensore di temperatura	Interno	Interno
Alimentazione	Il trasduttore deve essere alimentato esclusivamente tramite controller Siemens certificati	Il trasduttore deve essere alimentato esclusivamente tramite controller Siemens certificati
<b>Ambiente</b>		
Posizione di montaggio	in interni/in esterni	in interni/in esterni
Temperatura ambiente	da -20 a 65 °C (da -4 a 149 °F)	da -20 a 65 °C (da -4 a 149 °F)
Altitudine massima	2000 m	2000 m
Grado di inquinamento	4	4
<b>Costruzione</b>		
Custodia	<ul style="list-style-type: none"> <li>Custodia PVDF e superficie irraggiante CSM</li> </ul>	<ul style="list-style-type: none"> <li>Custodia PVDF e superficie irraggiante CSM</li> <li>Connettore per tubo di acciaio inossidabile</li> </ul>
Montaggio	Connettore per tubo con filettatura 1" NPT o BSP	Connettore per tubo con filettatura 1" NPT
<b>Cablaggio</b>		
Tipo di cavo	bipolare schermato da 0,5mm <sup>2</sup> (18 AWG) con guaina in PVC	bipolare schermato da 0,5mm <sup>2</sup> (18 AWG) con guaina in PVC
Distanza massima dal ricetrasmittitore	<ul style="list-style-type: none"> <li>365 m (1200 ft) con cavo coassiale A/U RG-62</li> <li>365 m (1200 ft) con cavo a bipolare schermato/intrecciato, con lamina; da 0,5mm<sup>2</sup> (20 AWG), guaina in PVC (solo SITRANS LUT400, SITRANS LUC500, MultiRanger 100/200 e HydroRanger 200)</li> </ul>	<ul style="list-style-type: none"> <li>365 m (1200 ft) con cavo coassiale A/U RG-62</li> <li>365 m (1200 ft) con cavo a bipolare schermato/intrecciato, con lamina; da 0,5mm<sup>2</sup> (20 AWG), guaina in PVC (solo SITRANS LUT400, SITRANS LUC500, MultiRanger 100/200 e HydroRanger 200)</li> </ul>

## Miscellanea

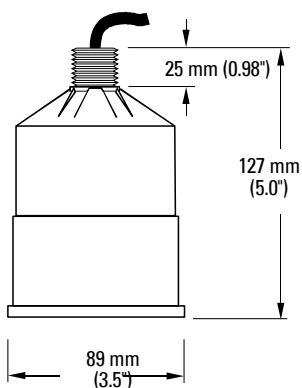
Indice di Protezione	IP68	IP68
Peso <sup>1</sup>	1,2 kg (2.6 lb)	1,2 kg (2.6 lb)
Opzioni	<ul style="list-style-type: none"> <li>• Attacchi adatti per i standard ANSI, DIN, e JIS</li> <li>• Flangia sciolta (montaggio in campo) adatta per i standard ANSI, DIN, e JIS</li> <li>• Esecuzione sommersibile per applicazioni dove è possibile che il trasduttore venga sommerso</li> </ul>	<ul style="list-style-type: none"> <li>• Attacchi adatti per i standard ANSI, DIN, e JIS</li> <li>• Flangia sciolta (montaggio in campo) adatta per i standard ANSI, DIN, e JIS</li> <li>• Esecuzione sommersibile per applicazioni dove è possibile che il trasduttore venga sommerso</li> </ul>
Certificazioni	CE <sup>2</sup> , CSA, FM, IECEx/ATEX: INMETRO DNV 12.0078 X Ex mb IIC T6 Gb Ex tb IIIC T85°C Db IP66/IP8 -20 °C ≤ Ta ≤ +65 °C DNV #OCP 0017 ABNT NBR IEC 60079-0:2008, ABNT NBR IEC 60079-18:2010 e ABNT NBR IEC 60079-31:2011	CSA (consultare la targhetta dell'apparecchio)

1. Peso approssimativo di spedizione del trasduttore incluso cavo di lunghezza standard.
2. Attestazione EMC disponibile su richiesta.

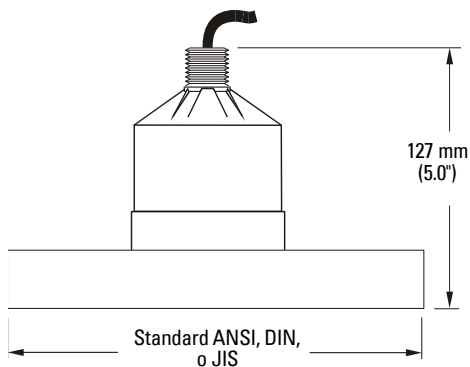
# Installazione

## Sagoma e dimensioni

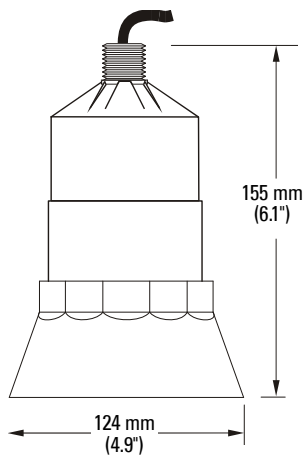
Standard



Flangia (opzionale)



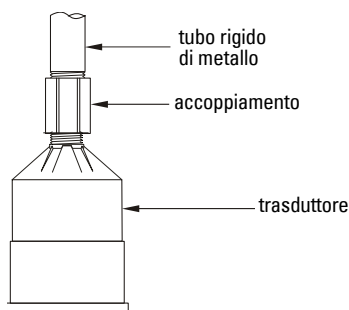
Esecuzione sommersibile



# Montaggio

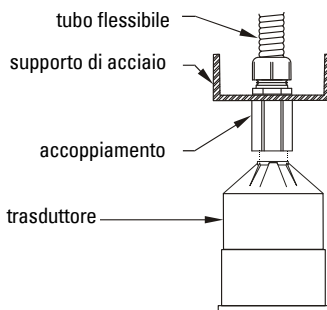
- Montare il trasduttore collocandolo **al di sopra del livello materiale massimo, tenendo conto della zona di mascheramento**(blanking). Consultare le relative istruzioni operative per ulteriori informazioni sulla zona di mascheramento.
- Il trasduttore deve essere installato in modo che l'asse di trasmissione risulti **perpendicolare alla superficie del liquido**.
- **Evitare un serraggio eccessivo**. E' sufficiente il serraggio manuale del materiale durante il montaggio.
- Durante il montaggio del trasduttore, considerare il **sensore di temperatura opzionale**.

## Tubo sospeso

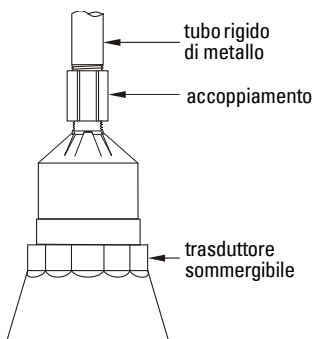


I trasduttori montati tramite tubo flessibile non vanno esposti al vento o alle vibrazioni.

## Piastra-supporto

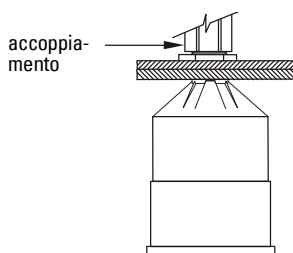


## Sommersibile



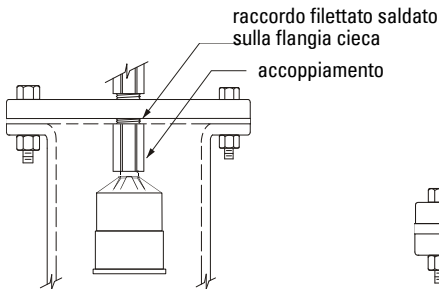
Esecuzione sommersibile, per applicazioni dove è possibile che il trasduttore venga sommerso.

## Placca di legno

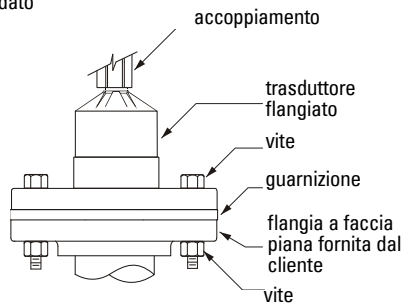


Il montaggio tramite placca di legno consente un'ottima isolamento. Tuttavia la placca deve essere abbastanza rigida da non presentare flessioni sotto carico.

## Flangia cieca



## Faccia della flangia



**Avvertenza:** Garantire il serraggio uniforme delle viti della flangia per garantire una tenuta adeguata delle superfici combacianti.

**Avvertenza:** Il serraggio eccessivo può influire negativamente sul funzionamento dell'apparecchiatura.

## Interconnessione

**Avvertenza:** L'installazione deve essere eseguita esclusivamente da personale qualificato e in conformità con le normative locali correnti.

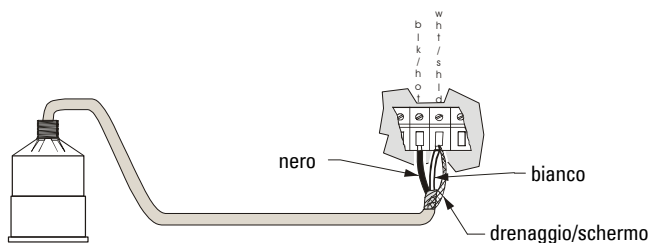
### Regole di installazione:

- Non sistemare i cavi lasciandoli scoperti, sistemarli separatamente all'interno di un tubo protettivo di metallo con messa a terra, per proteggerli da disturbi e interferenze elettriche ambientali.
- Sigillare tutti i collegamenti filettati per evitare l'ingresso di umidità.
- Non sistemare il cavo vicino a fonti di alta tensione o circuiti elettrici, contattori o pannelli/quadri di comando SCR.

Le morsettiere del ricetrasmittitore indicate negli esempi seguenti sono descritte nelle istruzioni operative del controller.

# Collegamento diretto

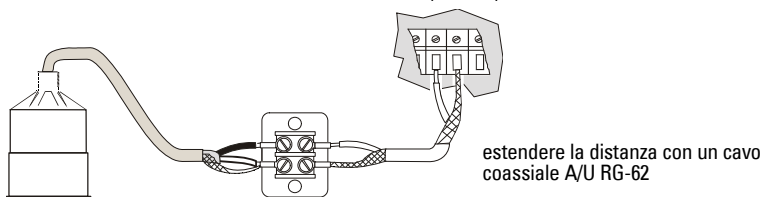
Collegare il trasduttore direttamente al ricetrasmittitore Siemens con un cavo bipolare schermato.



**Nota:** Per collegare il trasduttore a un SITRANS LUT400, SITRANS LUC500, MultiRanger 100/200, o HydroRanger 200 collegare il cavo elettrico bianco, nero e lo schermo separatamente. NON collegare il cavo elettrico bianco e lo schermo insieme.

# Collegamento coassiale

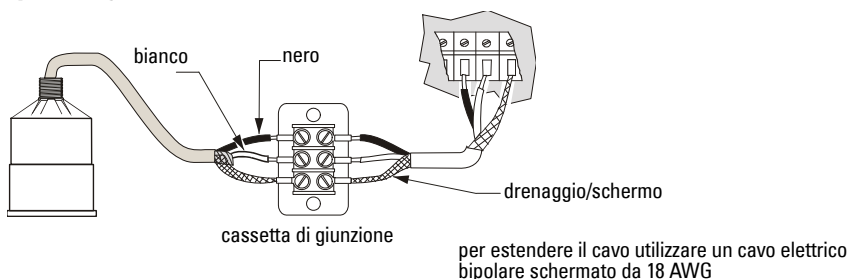
Collegare il trasduttore al ricetrasmittitore Siemens tramite una cassetta di connessione e un cavo coassiale RG-62 A/U. Questo tipo di installazione è adatto quando la massima distanza tra il trasduttore ed il ricetrasmittitore è 365 m (1200 ft).



**Nota:** NON usare un cavo coassiale per estendere il cavo di collegamento del trasduttore con un ricetrasmittitore SITRANS LUT400, SITRANS LUC500, MultiRanger 100/200 e HydroRanger 200. Per ulteriori dettagli consultare il diagramma di seguito riportato.

# Prolunga a due fili

(solo per SITRANS LUT400, SITRANS LUC500, MultiRanger 100/200, e HydroRanger 200)



# Annotazioni

---

Italiano



# EchoMax XRS-5 Quick Start Handleiding

Deze handleiding beschrijft de belangrijkste kenmerken en functies van de EchoMax XRS-5. Deze handleiding en de *Transducer toepassingshandleiding*, zijn tevens beschikbaar op onze website: [www.siemens.com/processautomation](http://www.siemens.com/processautomation). De gedrukte handleidingen zijn leverbaar via uw lokale Siemens Milltronics vertegenwoordiging.

## Vragen omtrent de inhoud van deze handleiding kunnen worden gericht aan:

Siemens Milltronics Process Instruments  
1954 Technology Drive, P.O. Box 4225  
Peterborough, Ontario, Canada, K9J 7B1  
Email: [techpubs.smpi@siemens.com](mailto:techpubs.smpi@siemens.com)

## Geautoriseerde Europese vertegenwoordiging

Siemens AG  
Industry Sector  
76181 Karlsruhe  
Deutschland

### Auteursrecht Siemens Milltronics Process Instruments 2013. Alle rechten voorbehouden

### Disclaimer

Wij raden gebruikers aan geautoriseerde, ingebonden gebruikershandleidingen te kopen, of om de elektronische versies te raadplegen, zoals ontworpen en goedgekeurd door Siemens Milltronics Process Instruments. Siemens Milltronics Process Instruments is niet aansprakelijk voor de inhoud van gedeeltelijk, of geheel gekopieerde versies, gebonden of elektronisch.

Hoewel we de inhoud van deze gebruikershandleiding hebben geverifieerd aan de omschreven instrumentatie, kunnen desondanks afwijkingen voorkomen. Wij kunnen derhalve niet een volledige overeenstemming garanderen. De inhoud van deze handleiding wordt regelmatig herzien, en correcties worden opgenomen in volgende uitgaven. Wij houden ons aanbevolen voor suggesties ter verbetering. Technische gegevens kunnen worden gewijzigd.

MILLTRONICS is een geregistreerd handelsmerk van Siemens Milltronics Process Instruments

## Veiligheidsrichtlijnen

Waarschuwingmeldingen moeten worden aangehouden om de eigen veiligheid en die van anderen te waarborgen en om het product en de aangesloten apparatuur te beschermen. Deze waarschuwingmeldingen gaan vergezeld met een verduidelijking van de mate van voorzichtigheid die moet worden aangehouden.



**Waarschuwing:** heeft betrekking op een waarschuwingssymbool op het product en betekent dat het niet aanhouden van de noodzakelijke voorzorgsmaatregelen kan leiden tot ernstig of dodelijk letsel en/of aanzienlijke materiële schade.



**Waarschuwing:** betekent dat het niet aanhouden van de noodzakelijke voorzorgsmaatregelen kan leiden tot ernstig of dodelijk letsel en/of aanzienlijke materiële schade

**Opgelet:** betekent dat het niet aanhouden van de noodzakelijke voorzorgsmaatregelen kan leiden tot aanzienlijke materiële schade.

**Opmerking:** geeft belangrijke informatie aan over het product of dat deel van de gebruikershandleiding.

# Inleiding

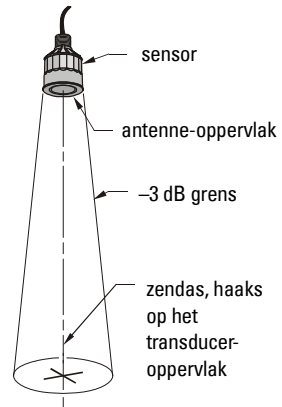
**Dit product is bedoeld voor gebruik in industriegebieden. Bij gebruik in woongebieden kunnen er storingen van verschillende radiografische toepassingen ontstaan.**

De Echomax XRS-5 serie transducers werken in combinatie met de Siemens Milltronics producten voor ultrasone niveaumeting.

De transducer converteert de elektrische energie van de zendpuls van de transceiver in een akoestische energie. Vervolgens converteert het de akoestische energie van de echo weer terug in elektrische energie voor de regelaar.

Het transducer-oppervlak zendt akoestische energie uit die uitwaaiert, waarbij de amplitude afneemt omgekeerd proportioneel aan het kwadraat van de afstand. Het maximale vermogen straalt haaks op het transducer-oppervlak op de as van de transmissie. Daar waar het vermogen met de helft wordt gereduceerd (-3 dB), geeft een conische grens, gecentreerd rond de as van de transmissie de geluidsbundel, waarvan de diameter de bundelhoek is.

De XRS-5 serie transducers is voorzien van een geïntegreerde temperatuursensor, welke de luchttemperatuur bij de transducer doorgeeft aan de regelaar.









# Instructies speciaal voor installaties in explosiegevaarlijke zones (Raadpleeg de Europese ATEX richtlijn 94/9/EC, Annex II, 1/0/6)

De volgende instructies gelden voor apparatuur waarvoor een certificaat met het nr. SIRA 99ATEX5091X van toepassing is.

1. De apparatuur mag worden gebruikt bij ontvlambare gassen en dampen met apparaatgroep II en met temperatuurklasse T1 tot T6.
2. De apparatuur heeft een temperatuurklasse van T85 °C en mag worden gebruikt bij ontvlambare stofproducten.
3. De apparatuur is gecertificeerd voor gebruik in een omgevingstemperatuurbereik van -20 °C tot +65 °C.
4. De apparatuur is niet getest als veiligheidstoestel zoals bedoeld in de EC richtlijn 94/9/EC Annex II, bepaling 1.5.
5. Het certificaat is voorzien van een 'X' suffix, hetgeen aangeeft dat speciale condities van toepassing zijn voor de installatie en het gebruik. Diegene die deze apparatuur installeren of inspecteren moeten toegang hebben tot de inhoud van dit certificaat.
6. Het apparaat mag alleen worden gevoed uit een circuit dat een geschikte zekering bevat met een afschakelvermogen van tenminste 1500 A.
7. Installatie en inspectie van deze apparatuur moet worden uitgevoerd door voldoende opgeleid personeel, conform de geldende normen (EN 60079-14 en EN 60079-17 in Europa).
8. De apparatuur kan niet worden gerepareerd.
9. De certificatie van deze apparatuur hangt af van de volgende materialen die in de constructie worden gebruikt:
  - Norton Performance Plastics Chemgrip lijmpduct
  - ETFE behuizingsmateriaal
  - PVDF behuizingsmateriaal
  - Dow-Corning 3-4207 inkapseling
  - Royal EPOCAP 42174/52174
  - Cotronics Duraprot 864 inkapseling
10. Wanneer de apparatuur in contact kan komen met agressieve stoffen, dan is het de verantwoordelijkheid van de gebruiker om de nodige maatregelen te nemen om te voorkomen dat het instrument negatief wordt beïnvloed, en zo te waarborgen dat de typeclassificatie niet in gevaar komt.
  - Agressieve stoffen: bijvoorbeeld zure vloeistoffen of gassen die metalen aantasten, of oplosmiddelen die invloed kunnen hebben op polymeren.
  - Geschikt voorzorgsmaatregelen: bijvoorbeeld, vaststellen aan de hand van het datablad van het materiaal dat het bestand is tegen specifieke chemische stoffen.

## XRS-5

<b>SIEMENS</b> XRS-5 ULTRASONIC TRANSDUCER Serial No: GYZ1A1034567 Ambient Temp.: -20°C to 65°C V in: 1.77 V r.m.s., 250 V p I in: 44.2 mA r.m.s.	 Class I, Zone 1 ATEX mb IIC T6 IP68 Class II, III, Div 1, Group E, F, G Per Dwg.: 0-86500032-DI-A Max. Torque: 12 Ft-Lbs	 0518	 II 2 G D Ex mb IIC T6 Gb Ex tb IIC T85°C Db SIRA 99ATEX5091X IECEx SIR 09.0005X	<b>Segurança</b>  KCC-REM-S49 Echomax Ex mb IIC T6 Gb Ex tb IIC T85°C Db DNV 12.0078-X ATENÇÃO - RISCO POTENCIAL DE CARGA ELETROSTÁTICA -VEJA INSTRUÇÕES	 159134	 WARNING: Static Hazard, Do Not Rub With Dry Cloth.
Siemens Millitronics Process Instruments, Peterborough						

### Opmerking:

- Product configuratienummer is uitsluitend als voorbeeld vermeld.
- Serienummer is uitsluitend als voorbeeld vermeld.

# Specificaties

XRS-5		XRS-5C
<b>Procestoepassing</b>		
<b>Toepassing</b>	Vloeistoffen en slurries	Vloeistoffen en slurries
<b>Meetbereik</b>	0,3 - 8 m (1 - 26 ft)	0,3 - 8 m (1 - 26 ft)
<b>Tankdruk</b>	open naar atmosfeer	open naar atmosfeer
<b>Bedrijf</b>		
<b>Bundelhoek</b>	10	10
<b>Frequentie</b>	43 kHz	43 kHz
<b>Temperatuursensor</b>	Intern	Intern
<b>Voeding</b>	De transducer mag uitsluitend worden gevoed door een door Siemens gecertificeerde regelaar	De transducer mag uitsluitend worden gevoed door een door Siemens gecertificeerde regelaar
<b>Omgeving</b>		
<b>Locatie</b>	binnen/buiten	binnen/buiten
<b>Omgevingstemperatuur</b>	-20 ... 65°C (-4 ... 149°F)	-20 ... 65°C (-4 ... 149°F)
<b>Maximum hoogte</b>	2000m	2000m
<b>Vervuilingsgraad</b>	4	4
<b>Constructie</b>		
<b>Behuizing</b>	<ul style="list-style-type: none"> <li>• PVDF huis en CSM facing</li> </ul>	<ul style="list-style-type: none"> <li>• PVDF huis en CSM facing</li> <li>• Roestvaststalen doorvoeraansluiting</li> </ul>
<b>Montage</b>	1" NPT of BSP doorvoeraansluiting	1" NPT doorvoeraansluiting
<b>Bekabeling</b>		
<b>Kabeltype</b>	2-draads afgeschermd/twisted, 0,5 mm <sup>2</sup> (18 AWG) PVC mantel	2-draads afgeschermd/twisted, 0,5 mm <sup>2</sup> (18 AWG) PVC mantel
<b>Maximale afstand tot transeiver</b>	<ul style="list-style-type: none"> <li>• 365 m (1200 ft) bij gebruik van RG-62 A/ U coax-kabel</li> <li>• 365 m (1200 ft) bij gebruik van 2-draads twisted pair/gevlochten en met folie afgeschermd 20 AWG (0,5 mm<sup>2</sup>), PVC mantel (alleen SITRANS LUT400, SITRANS LUC500, MultiRanger 100/ 200, en HydroRanger 200 )</li> </ul>	<ul style="list-style-type: none"> <li>• 365 m (1200 ft) bij gebruik van RG-62 A/ U coax-kabel</li> <li>• 365 m (1200 ft) bij gebruik van 2-draads twisted pair/gevlochten en met folie afgeschermd 20 AWG (0,5 mm<sup>2</sup>), PVC mantel (alleen SITRANS LUT400, SITRANS LUC500, MultiRanger 100/200, en HydroRanger 200 )</li> </ul>

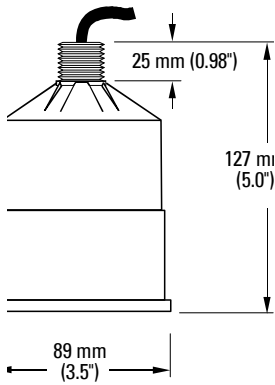
Divers		
<b>Beschermingsklasse:</b>	IP68	IP68
<b>Gewicht<sup>1</sup></b>	1,2 kg (2.6 lb)	1,2 kg (2.6 lb)
<b>Opties</b>	<ul style="list-style-type: none"> <li>• Af-fabriek voorzien van flens, geschikt voor ANSI, DIN, en JIS standaarden</li> <li>• Split flange (in veld gemonteerd) geschikt voor ANSI, DIN, of JIS standaard</li> <li>• Onderdompelafscherming (overstromingstoepassingen)</li> </ul>	<ul style="list-style-type: none"> <li>• Af-fabriek voorzien van flens, geschikt voor ANSI, DIN, en JIS standaarden</li> <li>• Split flange (in veld gemonteerd) geschikt voor ANSI, DIN, of JIS standaard</li> <li>• Onderdompelafscherming (overstromingstoepassingen)</li> </ul>
<b>Goedkeuringen</b>	CE <sup>2</sup> , CSA, FM, IECEx/ATEX: INMETRO DNV 12.0078 X Ex mb IIC T6 Gb Ex tb IIIC T85°C Db IP66/IP68 -20 °C ≤ Ta ≤ +65 °C DNV #OCP 0017 ABNT NBR IEC 60079-0:2008, ABNT NBR IEC 60079-18:2010 en ABNT NBR IEC 60079-31:2011	CSA, zie typeplaatje van het instrument

1. Verzendgewicht van transducer met standaard kabellengte (bij benadering).
2. EMC prestaties beschikbaar op aanvraag.

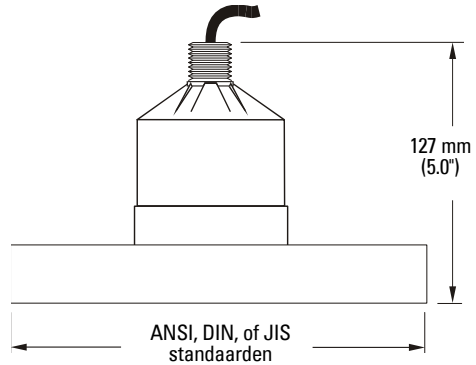
# Installatie

## Maatschets en afmetingen

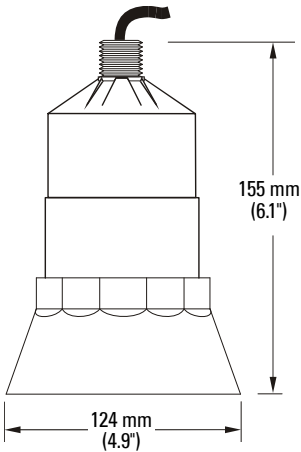
Standaard



Flens (optioneel)



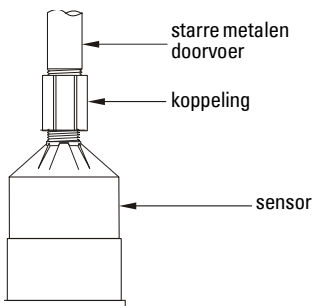
Onderdompelafscherming



# Montage

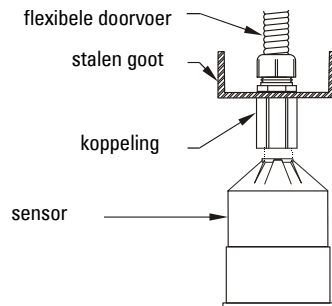
- **Monteer de transducer zo dat deze zich tenminste met de blanking afstand boven het materiaalniveau bevindt** voor optimale prestaties. Raadpleeg de bijbehorende transeiver handleiding voor informatie over het instellen van de blanking waarde.
- De transducer moet zo worden gemonteerd dat de zendas haaks **op het vloeistofoppervlak staat**.
- **De montage niet te vast aandraaien.** Het handvast aandraaien van de montagebouten is voldoende.
- Houd rekening met de optionele temperatuursensor bij montage van de transducer.

## Opgehangen doorvoer

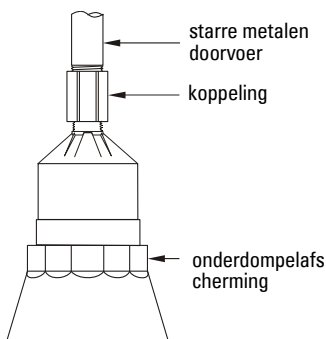


Op flexibele doorvoer gemonteerde transducer mag niet worden blootgesteld aan wind, trilling of schudden.

## Beugel

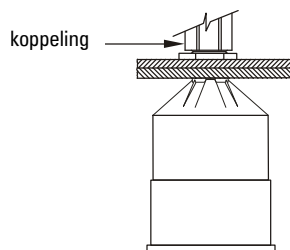


## Onderdompelbaar



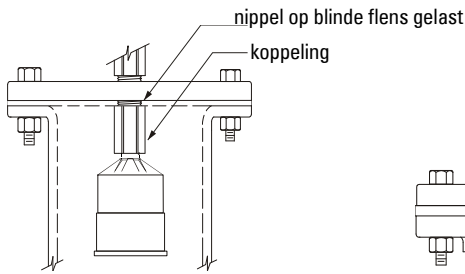
Onderdompelbare transducer, gebruikt toepassingen waar overstroming mogelijk is.

## Multiplex

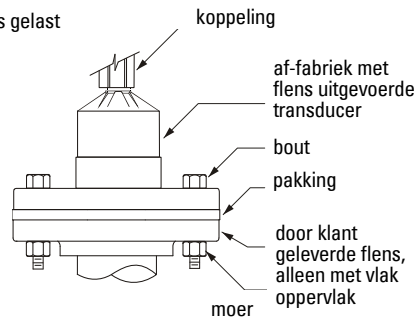


Multiplex montage biedt uitstekende isolatie, maar moet star genoeg zijn om doorbuigen te voorkomen bij belasting.

## Blinde flens



## Oppervlak flens



**Opmerking:** draai de flensbouten gelijkmatig aan om een goede afdichting te waarborgen tussen de flenzen.

**Opgelet:** het overmatig aanhalen kan de prestaties negatief beïnvloeden.

## Aansluiting

**Opmerking:** de installatie mag uitsluitend worden uitgevoerd door gekwalificeerd personeel en in overeenstemming met lokale regelgeving.

### Aanbevolen installatieregels:

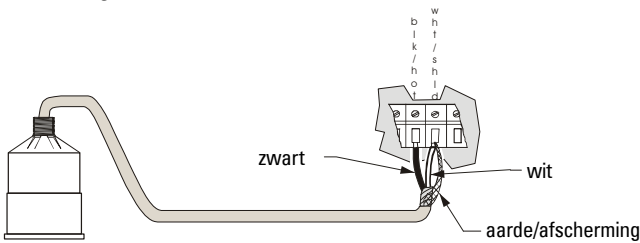
- Leg de bekabeling niet open, maar voer de kabel apart door een gearde metalen goot als bescherming tegen elektrische omgevingsruis.
- Dicht alle schroefdraadaansluitingen af om binnendringen van vocht te voorkomen.
- Leg de kabel niet in de buurt van kabels met hoge spanningen of stromen, contactors of microprocessorgestuurde gelijkrichters.

In alle volgende voorbeelden, worden de klemmenblokken op de transceiver omschreven in de controller handleiding.



# Directe aansluiting

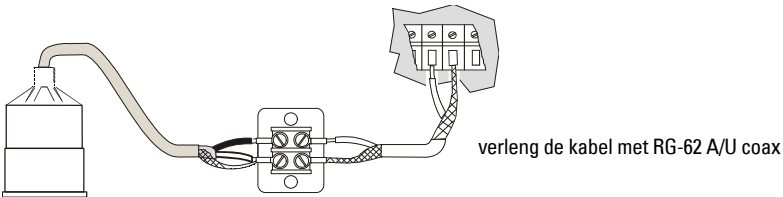
Sluit de transducer direct aan op de Siemens transceiver, met de twee-aderige afschermingskabel.



**Opmerking:** bij het aansluiten op een SITRANS LUT400, een SITRANS LUC500, een MultiRanger 100/200, of een HydroRanger 200, worden de witte, zwarte en afschermingskabels alle afzonderlijk aangesloten. Sluit de witte en afschermingskabels NIET op elkaar aan.

# Coax aansluiting

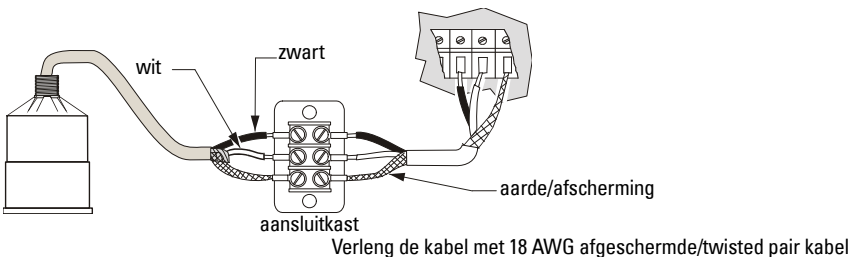
Sluit de transducer aan op de Siemens transceiver via een schakelkast en RG-62 A/U coax-kabel. Deze setup is doelmatig voor gecombineerde lengten tot max. 365 m (1200 ft).



**Opmerking:** bij het aansluiten van een SITRANS LUT400, een SITRANS LUC500, MultiRanger 100/200 en HydroRanger 200, geen coax-kabel gebruiken; zie onderstaande schema voor de juiste procedure.

# 2-draads verlenging

(alleen voor SITRANS LUT400, SITRANS LUC500, MultiRanger 100/200, en HydroRanger 200)



# Opmerkingen

---

# Manual de início rápido EchoMax XRS-5

Este manual descreve em linhas gerais as principais características e funções do transdutor EchoMax XRS-5. Este manual, e o *Manual de Aplicações do Transdutor*, estão igualmente disponíveis no nosso website: [www.siemens.com/processautomation](http://www.siemens.com/processautomation). Cópias impressas estão disponíveis no representante local da Siemens Milltronics.

**Quaisquer dúvidas acerca do conteúdo deste manual devem ser encaminhadas para:** **Representante Autorizado Europeu**

Siemens Milltronics Process Instruments  
1954 Technology Drive, P.O. Box 4225  
Peterborough, Ontario, Canada, K9J 7B1  
Email: [techpubs.smpi@siemens.com](mailto:techpubs.smpi@siemens.com)

Siemens AG  
Industry Sector  
76181 Karlsruhe  
Deutschland

**Copyright Siemens Milltronics  
Process Instruments 2013.  
Todos os direitos reservados**

**Exclusão de Responsabilidade**

Aconselhamos os usuários a adquirirem manuais autorizados relacionados, ou a verem versões eletrônicas como concebidas e autenticadas pela Siemens Milltronics Process Instruments. A Siemens Milltronics Process Instruments não se considera responsável pelo conteúdo de reproduções parciais ou totais de versões relacionadas ou eletrônicas.

Apesar de termos verificado o conteúdo deste manual relativamente à conformidade com os instrumentos descritos, este pode ter algumas variações. Assim, não podemos garantir completa conformidade. O conteúdo deste manual é revisto com regularidade e as correções são incluídas em edições posteriores. Todas as sugestões de melhoramento são bem-vindas.

Os dados técnicos estão sujeitos a alterações.

MILLTRONICS é uma marca comercial registrada da Siemens Milltronics Process Instruments

## Instruções de segurança

As mensagens de advertências devem ser observadas para garantir sua segurança pessoal bem como a de terceiros e para proteger o produto e o equipamento a ele associado. Estas mensagens de advertências são acompanhadas por uma explicação do nível de cautela a se tomar.



**ATENÇÃO:** refere-se a um símbolo de aviso no produto e significa que o não cumprimento das precauções necessárias pode resultar em morte, ferimentos graves e/ou danos consideráveis no material.



**ATENÇÃO:** significa que o não cumprimento das precauções necessárias pode resultar em morte, ferimentos graves e/ou danos consideráveis no material.

**CUIDADO:** significa que o não cumprimento das precauções necessárias pode danificar consideravelmente o material.

**Nota:** significa informação importante acerca do produto ou dessa parte do manual de funcionamento.

# Introdução

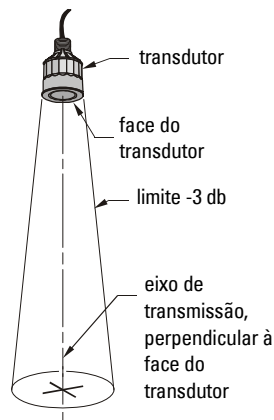
**Este produto é para ser usado em áreas industriais. A operação com este equipamento numa área residencial pode causar interferências em comunicações à base de frequência.**

A série de transdutores Echomax XRS-5 opera com produtos Siemens Milltronics de monitoramento de nível por ultrassons.

O transdutor converte o pulso elétrico transmitido pelo emissor-receptor em energia acústica. Em seguida, converte a energia acústica do eco novamente em energia elétrica para o controlador.

A face do transdutor emite energia acústica, que diminui em amplitude em uma taxa inversamente proporcional ao quadrado da distância. A energia máxima irradia perpendicularmente desde a face do transdutor ao longo do eixo de transmissão. Onde a energia é reduzida pela metade (-3 dB), um limite formado pelo cone em torno do eixo central de transmissão define o feixe de som, o diâmetro do qual é o ângulo de feixe.

A série de transdutores XRS-5 possui um sensor de temperatura integrado que informa a temperatura do ar no transdutor, para o controlador.











# Instruções específicas para instalações em áreas perigosas (Referência Diretriz Europeia ATEX 94/9/CE, Anexo II, 1/0/6)

As instruções a seguir referem-se ao equipamento coberto pelo certificado número SIRA 99ATEX5091X.

1. O equipamento pode ser utilizado com gases e vapores inflamáveis com aparelhos do Grupo II e classe de temperatura T1 a T6.
2. O equipamento tem uma classe de temperatura de T85 °C e pode ser usado com pós inflamáveis.
3. O equipamento está certificado para uso numa temperatura ambiente na faixa de -20 °C a +65 °C.
4. O equipamento não foi avaliado como um dispositivo relacionado com segurança, conforme mencionado na Diretriz da Comunidade Europeia 94/9/CE, Anexo II, cláusula 1.5.
5. O certificado tem um sufixo 'X', que indica que se aplicam condições especiais de instalação e uso. As pessoas que forem instalar ou inspecionar este equipamento devem ter acesso ao conteúdo do certificado.
6. A alimentação do aparelho deve vir somente de um circuito contendo um fusível com classificação adequada, com capacidade de interrupção de, no mínimo, 1500A.
7. A instalação e a inspeção deste equipamento deverão ser feitas por pessoal com treinamento adequado, de acordo com o código de práticas aplicável (EN 60079-14 e EN 60079-17 na Europa).
8. O equipamento não pode ser reparado.
9. A certificação deste equipamento depende dos seguintes materiais utilizados em sua construção:
  - Composto de ligação Norton Performance Plastics Chemgrip
  - Material de alojamento ETFE
  - Material de alojamento PVDF
  - Encapsulante Dow-Corning 3-4207
  - Royal EPOCAP 42174/52174
  - Encapsulante Cotronics Durapot 864
10. Se houver chances de o equipamento entrar em contato com substâncias agressivas, é de responsabilidade do usuário tomar as precauções adequadas para que o equipamento não seja adversamente afetado, garantindo que a proteção adotada não seja comprometida.
  - Substâncias agressivas: incluem, por exemplo, líquidos ou gases ácidos que possam atacar os metais, ou solventes que possam afetar os materiais poliméricos.
  - Precauções adequadas: por exemplo, estabelecer que a folha de dados do material seja resistente a produtos químicos específicos.

## XRS-5

<b>SIEMENS</b>								
XRS-5 ULTRASONIC TRANSDUCER Serial No: GYZ1A1034567 Ambient Temp: -20 °C to 65 °C V in: 1.77 V r.m.s.; 250 V p I in: 44.2 mA r.m.s.			Class I, Zone 1 AEx m IIC, T6, IP68 Class II, III, Div 1, Group E, F, G Per Dwg. 0-8650032-D/A Max. Torque: 12 FT-LBS		0518		II 2 G D Ex mb IIC T6 Gb Ex tb IIIc T85 °C Db SIRA 99ATEX5091X IECEx SIR 09.0005X	<b>Segurança</b>  KCC-REM-549 Echomax
Siemens Millitronics Process Instruments, Peterborough			159134		Class I, Div 2, Group A, B, C, D Class II, Div 1, Group E, F, G IP66 / IP68 (2M)		<b>WARNING:</b> Static Hazard, Do Not Rub With Dry Cloth.	 Ex mb IIC T6 Gb Ex tb IIIc T85 °C Db DNV 12.0078 X ATENÇÃO - RISCO POTENCIAL DE CARGA ELETROSTÁTICA - VEJA INSTRUÇÕES

### Observação:

- O número de configuração do produto é mostrado somente para fins de exemplo.
- O número de série é mostrado somente para fins de exemplo.

# Especificações

XRS-5		XRS-5C
<b>Aplicação ao Processo</b>		
<b>Aplicação</b>	Líquidos e Lamas	Líquidos e Lamas
<b>Faixa de medição</b>	0,3 - 8 m (1 - 26 pés)	0,3 - 8 m (1 - 26 pés)
<b>Reservatório Pressurizado</b>	Ventilado para a atmosfera	Ventilado para a atmosfera
<b>Funcionamento</b>		
<b>Ângulo do Feixe</b>	10	10
<b>Frequência</b>	43 KHz	43 KHz
<b>Sensor de Temperatura</b>	Interno	Interno
<b>Fonte de Alimentação</b>	Os transdutores devem ser alimentados apenas por controladores certificados pela Siemens	Os transdutores devem ser alimentados apenas por controladores certificados pela Siemens
<b>Ambientais</b>		
<b>Localização</b>	interior/exterior	interior/exterior
<b>Temperatura ambiente</b>	-20 a 65 °C (-4 a 149 °F)	-20 a 65 °C (-4 a 149 °F)
<b>Altitude Máxima</b>	2.000 m	2.000 m
<b>Grau de Poluição</b>	4	4
<b>Construção</b>		
<b>Invólucro</b>	• Corpo em PVDF e face em CSM	• Corpo em PVDF e face em CSM • Ligações por tubo em aço inoxidável
<b>Montagem</b>	Ligação tubular 1" NPT ou BSP	Ligação tubular 1" NPT
<b>Cabeamento</b>		
<b>Tipo de Cabo</b>	2 condutores blindado/trançado, 0,5 mm <sup>2</sup> (18 AWG) ficha em PVC	2 condutores blindado/trançado, 0,5 mm <sup>2</sup> (18 AWG) ficha em PVC
<b>Distância Máxima do Emissor Receptor</b>	<ul style="list-style-type: none"> <li>• 365 m (1200 pés) usando cabo coaxial RG-62 A/U</li> <li>• 365 m (1200 pés) usando 2 condutores em par trançado/malha de blindagem trançada em folha metálica, 20 AWG (0,5 mm<sup>2</sup>), ficha em PVC (só para SITRANS LUT400, SITRANS LUC500, MultiRanger 100/200, e HydroRanger 200)</li> </ul>	<ul style="list-style-type: none"> <li>• 365 m (1200 pés) usando cabo coaxial RG-62 A/U</li> <li>• 365 m (1200 ft) usando 2 condutores em par trançado/malha de blindagem trançada em folha metálica, 20 AWG (0,5 mm<sup>2</sup>), ficha em PVC (só para SITRANS LUT400, SITRANS LUC500, MultiRanger 100/200, e HydroRanger 200)</li> </ul>

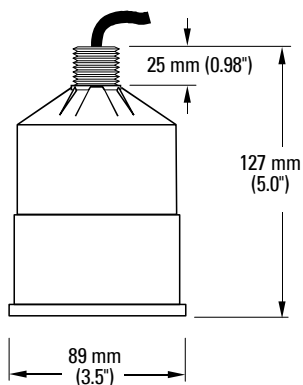
XRS-5		XRS-5C
<b>Diversos</b>		
<b>Grau de proteção do invólucro</b>	IP68	IP68
<b>Peso<sup>1</sup></b>	1,2 kg (2,6 lbs)	1,2 kg (2,6 lbs)
<b>Opções</b>	<ul style="list-style-type: none"> <li>• Flangeado de fábrica para satisfazer as normas ANSI, DIN, e JIS1.</li> <li>• Flange separada (montagem em campo) para satisfazer as normas ANSI, DIN, ou JIS</li> <li>• Proteção para submersão (aplicações sujeitas a inundação)</li> </ul>	<ul style="list-style-type: none"> <li>• Flangeado de fábrica para satisfazer as normas ANSI, DIN, e JIS</li> <li>• Flange separada (montagem em campo) para satisfazer as normas ANSI, DIN, ou JIS</li> <li>• Proteção para submersão (aplicações sujeitas a inundação)</li> </ul>
<b>Aprovações</b>	CE <sup>2</sup> , CSA, FM, IECEx/ATEX: INMETRO DNV 12.0078 X Ex mb IIC T6 Gb Ex tb IIC T85°C Db IP66/IP68 -20 °C ≤ Ta ≤ +65 °C DNV #OCP 0017 ABNT NBR IEC 60079-0:2008, ABNT NBR IEC 60079-18:2010 e ABNT NBR IEC 60079-31:2011	CSA, ver a chapa de características do aparelho

1. Peso aproximado de expedição do transdutor com comprimento standard de cabo.
2. Desempenho EMC disponível mediante solicitação.

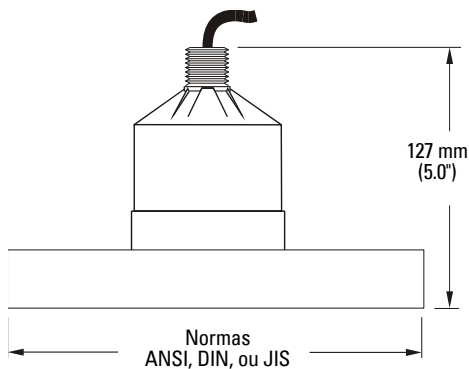
# Instalação

## Desenhos e Dimensões

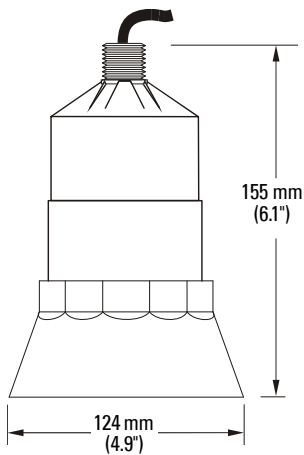
Standard



Flange (opcional)



Proteção para Submersão

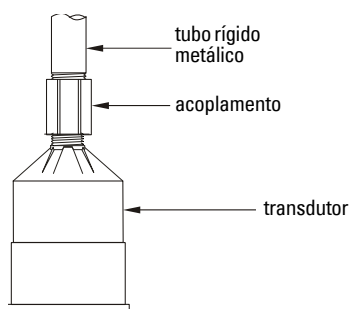




# Montagem

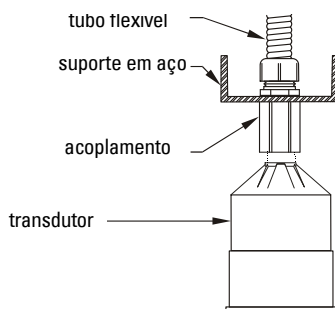
- Montar o transdutor de forma que ele fique **acima do nível máximo do material, pelo menos no valor da zona morta** para resultados precisos. Consultar o manual do emissor receptor associado para informações sobre ajustamento do valor da zona morta.
- O transdutor deve ser montado de forma que o eixo de transmissão fique **perpendicular à superfície do líquido**.
- **Não apertar demasiado a montagem**. O aperto à mão do equipamento de montagem é suficiente.
- Considerar o sensor de **temperatura opcional** ao montar o transdutor.

## Tubo Suspenso

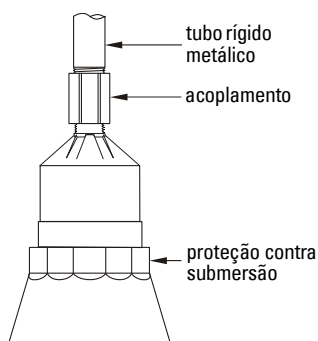


Os transdutores montados em tubo flexível não devem estar sujeitos a ventos, vibrações ou choques.

## Suporte

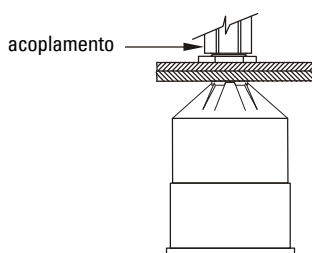


## Submersível



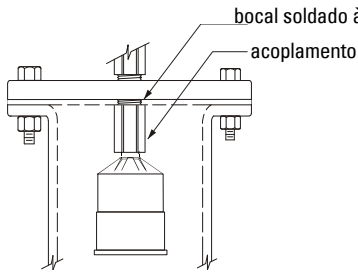
Transdutor submersível, usado em aplicações onde seja possível ocorrerem inundações.

## Compensado

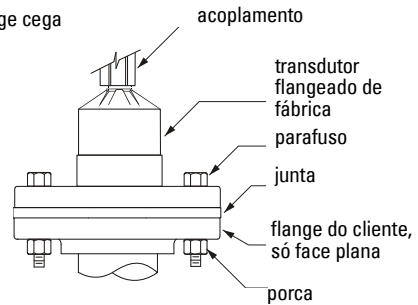


A montagem em compensado proporciona um excelente isolamento, mas deve ser suficientemente rígida para evitar a flexão, se sujeita a carga.

## Flange Cega



## Flange à Face



**Nota:** Apertar os parafusos da flange uniformemente a fim de garantir uma boa vedação entre as flanges de ligação.

**Cuidado:** O aperto em excesso pode causar degradação da performance.

## Interligação

**Nota:** A instalação só deverá ser efetuada por pessoal qualificado e em conformidade com os regulamentos locais vigentes.

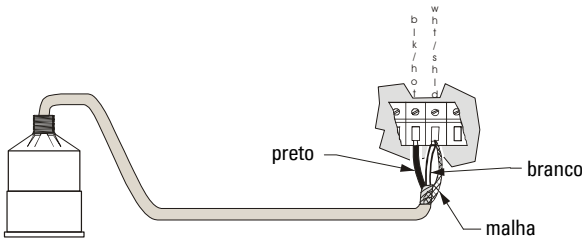
### Regras de instalação recomendadas:

- Não instalar o cabo em espaço aberto; em vez disso, instalar o cabo separadamente em tubo metálico ligado à terra para proteção contra ruído elétrico ambiente.
- Vedar todas as ligações roscadas para impedir a entrada de umidade.
- Não instalar o cabo próximo a circuitos de alta tensão ou corrente, contatos, e acionadores de controle SCR.

Em todos os exemplos a seguir os blocos dos terminais no emissor receptor são descritos no manual do controlador.

# Ligação Direta

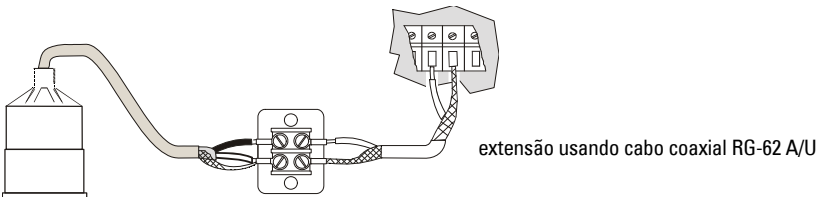
Ligar o transdutor diretamente ao emissor-receptor Siemens através de um cabo blindado, de dois condutores.



**Nota:** Ao ligar a um SITRANS LUT400, a um SITRANS LUC500, a um MultiRanger 100/200, ou a um HydroRanger 200, os condutores branco, preto e malha, são todos ligados separadamente. NÃO conecte os condutores branco e malha juntos.

# Ligação Coaxial

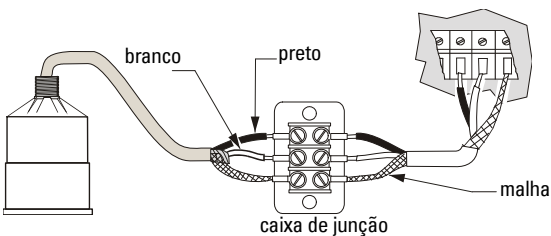
Ligar o transdutor ao emissor-receptor Siemens através de uma caixa de junção e cabo coaxial RG-62 A/U. Este dispositivo é adequado para extensões combinadas até 365 m (1200 pés).



**Nota:** Ao ligar um SITRANS LUT400, a um SITRANS LUC500, um MultiRanger 100/200, e HydroRanger 200, NÃO usar cabo coaxial. Ver o diagrama abaixo quanto ao procedimento correto.

# Extensão 2 Fios

(só para SITRANS LUT400, SITRANS LUC500, MultiRanger 100/200, e HydroRanger 200)



extensão usando cabo de par trançado blindado 18 AWG

# Observações

---

# Echomax XRS-5 -pikakäyttöopas

Tämä opas kertoo Echomax XRS-5-sarjan antureiden ominaisuuksista ja toiminnoista. Tämä opas sekä *Anturin sovellusopas* löytyvät myös verkkosivuiltamme osoitteesta [www.siemens.com/processautomation](http://www.siemens.com/processautomation). Painettuja oppaita saat paikalliselta Siemens Milltronics -edustajaltasi.

## Tämän oppaan sisältöä koskevia asioita voi tiedustella osoitteesta:

Siemens Milltronics Process Instruments  
1954 Technology Drive, P.O. Box 4225  
Peterborough, Ontario, Canada, K9J 7B1  
Email: [techpubs.smpi@siemens.com](mailto:techpubs.smpi@siemens.com)

## Valtuutettu edustaja Euroopassa

Siemens AG  
Industry Sector  
76181 Karlsruhe  
Deutschland

**Copyright Siemens Milltronics  
Process Instruments 2013.  
Kaikki oikeudet pidätetään**

## Vastuuvapauslauseke

Kehotamme käyttäjiä hankkimaan oppaan hyväksytyyn painetun laitoksen tai tutustumaan Siemens Milltronics Process Instruments:n laatimaan ja hyväksymään sähköiseen versioon. Siemens Milltronics Process Instruments ei vastaa osittain tai kokonaan kopioitujen painettujen tai sähköisten versioiden sisällöstä.

Tämän oppaan sisältö on tarkistettu vastaamaan kuvattua laitteistoa, mutta muutokset ovat mahdollisia. Tämän vuoksi valmistaja ei voi taata täydellistä yhtäpitävyyttä. Tämän oppaan sisältöä tarkistetaan säännöllisesti ja korjaukset sisällytetään seuraaviin painoksiin. Otamme parannusehdotuksia mielellämme vastaan.

Teknisiin tietoihin saattaa tulla muutoksia.

MILLTRONICS on Siemens Milltronics Process Instruments:n rekisteröity tavaramerkki.

## Turvaohjeet

Annettuja varoituksia on noudatettava käyttäjään ja muihin henkilöihin kohdistuvien henkilövahinkojen sekä tuotteen ja siihen kytkettyjen varusteiden laitevahinkojen välttämiseksi. Varoitusten yhteydessä ilmoitetaan myös vaaratasosta.



**VAROITUS: Varoitus liittyy tuotteen varoitussymboliin. Varoituksen huomiotta jättäminen saattaa aiheuttaa hengenvaaran, vakavia ruumiinvammoja ja merkittäviä aineellisia vahinkoja.**



**VAROITUS: Varoituksen huomiotta jättäminen saattaa aiheuttaa hengenvaaran, vakavia ruumiinvammoja ja merkittäviä aineellisia vahinkoja.**

**HUOMIOITAVAA: Tämän huomautuksen huomiotta jättäminen saattaa aiheuttaa merkittäviä aineellisia vahinkoja.**

**Huomautus:** Huomautuksissa on tärkeitä tuotteeseen tai käyttöoppaaseen liittyviä tietoja.

# Johdanto

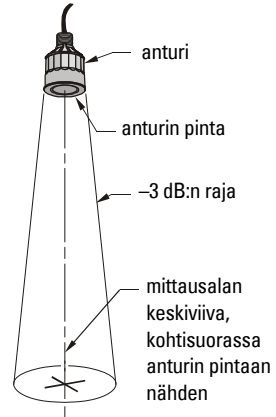
**Tämä tuote on tarkoitettu käytettäväksi teollisuustiloissa. Laitteen käyttäminen asuinalueilla saattaa aiheuttaa häiriöitä monenlaiseseen radiotaajuuksia käyttävään viestintään.**

Echomax XRS-5-sarjan antureita käytetään Siemens Milltronicsin ultraäänitoimisten pintamittarien kanssa.

Anturi muuntaa lähetin-vastaanottimen tuottaman sähköisen mittauspulssin energian akustiseksi energiaksi. Sen jälkeen se muuntaa kaiun akustisen energian takaisin sähköenergiaksi ohjainta varten.

Anturin pinta lähettää ulospäin säteilevää akustista energiaa, jonka amplitudi pienenee käänteisessä suhteessa etäisyyden neliöön. Suurin säteilyteho kohdistuu anturin pinnasta kohtisuoraan mittausalan keskiviivaan. Alue, jolla teho pienenee puoleen ( $-3$  dB), muodostaa mittausalan keskiviivan ympärille keilan, joka määrittelee ultraäänen mittaussäteen ja jonka halkaisija on säteen kulma.

XRS-5-sarjan antureissa on integroitu lämpötilan mittapää, joka lähettää tiedon anturia ympäröivän ilman lämpötilasta ohjaimelle.










# Räjähdyssvaarallisten tilojen asennusta koskevat ohjeet (ATEX-direktiivi 94/9/EY, liite II, 1/0/6)

Seuraavat ohjeet koskevat sertifiikaatin SIRA 99ATEX5091X mukaisia laitteita.

1. Laitetta voi käyttää syttyvien kaasujen ja höyryjen yhteydessä sähkölaiteryhmän II laitteiden kanssa lämpötilaluokassa T1–T6.
2. Laitteen lämpötilaluokka on T85 °C, ja sitä voidaan käyttää ympäristöissä, joissa on leimahtavia pölyjä.
3. Laitte on sertifioitu käytettäväksi –20 °C...+65 °C ympäristön lämpötilassa.
4. Laitetta ei ole luokiteltu direktiivin 94/9/EY liitteen II kohdan 1.5 mukaisesti turvallisuuteen myötävaikuttavaksi laitteeksi.
5. X-pääte sertifiointinumeroissa tarkoittaa, että laitteen asennukseen ja käyttöön sovelletaan erikoisehtoja. Laitetta asentavien tai tarkastavien henkilöiden on voitava tarkistaa tarkastustodistuksen sisältö.
6. Laitteen saa kytkeä ainoastaan asianmukaisella sulakkeella varustettuun virtapiiriin. Sulakkeen katkaisukyvyyn on oltava vähintään 1 500 A.
7. Tämän laitteen saa asentaa ja tarkistaa vain koulutettu henkilö sovellettavan standardin (Euroopassa EN 60079-14 ja EN 60079-17) mukaisesti.
8. Laitetta ei voi korjata.
9. Laitteen sertifiointi perustuu seuraaviin laitteessa käytettyihin materiaaleihin:
  - Norton Performance Plastics Chemgrip -asennustiviste
  - ETFE-kotelointimateriaali
  - PVDF-kotelointimateriaali
  - Dow-Corning 3-4207 -kapselointi
  - Royal EPOCAP 42174/52174
  - Cotronics Durapot 864 -kapselointi
10. Jos laite joutuu todennäköisesti kosketuksiin voimakkaasti reagoivien aineiden kanssa, käyttäjän on varmistettava, että kyseiset aineet eivät pääse vaikuttamaan laitteeseen ja heikentämään sen suojausta.
  - Voimakkaasti reagoivat aineet: esimerkiksi metalleja syövyttävät happoliuokset tai kaasut ja polymeeriin vaikuttavat liuottimet.
  - Varotoimet: sen tarkistaminen materiaalin teknisistä tiedoista, että materiaali kestää tiettyjä kemikaaleja.

## XRS-5

<b>SIEMENS</b> XRS-5 ULTRASONIC TRANSDUCER Serial No: GYZ I A1034567 Ambient Temp.: –20°C to 65°C V in: 1.77 V r.m.s., 250 V p I in : 44.2 mA r.m.s.	 Class I, Zone 1 ATEX m IIC, T6, IP68 Class II, Div 1, Group E, F, G Per Dwg.: 0-8650003Z-DI-A Max. Torque: 12 FT-LBS	 0518	 II 2 G D Ex mb IIC T6 Gb Ex tb IIIC T85°C Db SIRA 99ATEX5091X IECEX SIR 09.0005X	<b>Segurança</b>  KCC-REM-549 Echomax  Ex mb IIC T6 Gb Ex tb IIIC T85°C Db DNV 12.0078 X ATENÇÃO - RISCO POTENCIAL DE CARGA ELETROSTÁTICA - VEJA INSTRUÇÕES
Siemens Milltronics Process Instruments, Peterborough	 159134 Class I, Div 2, Group A, B, C, D Class II, Div 1, Group E, F, G IP66 / IP68 (2M)	 WARNING: Static Hazard, Do Not Rub With Dry Cloth.		

## Huomaus:

- Tuotemäärityksen numero on annettu ainoastaan esimerkiksi.
- Sarjanumero on annettu ainoastaan esimerkiksi.

# Tekniset tiedot

XRS-5		XRS-5C
<b>Prosessisovellus</b>		
<b>Sovellus</b>	Nesteet ja lietteet	Nesteet ja lietteet
<b>Mittausalue</b>	0,3–8 m (1–26 ft)	0,3–8 m (1–26 ft)
<b>Astiapaine</b>	Ilmakehään avautuva	Ilmakehään avautuva
<b>Käyttö</b>		
<b>Säteen kulma</b>	10	10
<b>Taajuus</b>	43 kHz	43 kHz
<b>Lämpötilan mittapää</b>	Sisäinen	Sisäinen
<b>Teholähde</b>	Anturin teholähteenä saa käyttää ainoastaan Siemensin sertifioituja ohjaimia.	Anturin teholähteenä saa käyttää ainoastaan Siemensin sertifioituja ohjaimia.
<b>Ympäristötiedot</b>		
<b>Paikka</b>	sisällä/ulkona	sisällä/ulkona
<b>Ympäristön lämpötila</b>	–20 – +65 °C (–4 – +149 °F)	–20 – +65 °C (–4 – +149 °F)
<b>Suurin korkeus</b>	2.000 m	2.000 m
<b>Likaantumisaste</b>	4	4
<b>Rakenne</b>		
<b>Kotelo</b>	• PVDF-runko ja CSM-pinta	• PVDF-runko ja CSM-pinta • Putkiliitäntä ruostumatonta terästä
<b>Asennus</b>	1":n NPT- tai BSP-putkiliitäntä	1":n NPT-putkiliitäntä
<b>Kaapelointi</b>		
<b>Kaapelityyppi</b>	kaksijohtiminen suojattu/kierretty, 0,5 mm <sup>2</sup> (18 AWG) PVC-vaippa	kaksijohtiminen suojattu/kierretty, 0,5 mm <sup>2</sup> (18 AWG) PVC-vaippa
<b>Suurin etäisyys lähetin-vastaanottimesta</b>	<ul style="list-style-type: none"> <li>• 365 m (1200 ft) RG-62 A/U - koaksiaalikaapelia käytettäessä</li> <li>• 365 m (1200 ft) kaksijohtimista kierrettyä kaksoiskaapelia/punottua ja kalvosuojattua 20 AWG (0,5 mm<sup>2</sup>), PVC-vaippa (ainoastaan SITRANS LUT400, SITRANS LUC500, MultiRanger 100/200 ja HydroRanger 200)</li> </ul>	<ul style="list-style-type: none"> <li>• 365 m (1200 ft) RG-62 A/U - koaksiaalikaapelia käytettäessä</li> <li>• 365 m (1200 ft) kaksijohtimista kierrettyä kaksoiskaapelia/punottua ja kalvosuojattua 20 AWG (0,5 mm<sup>2</sup>), PVC-vaippa (ainoastaan SITRANS LUT400, SITRANS LUC500, MultiRanger 100/200 ja HydroRanger 200)</li> </ul>



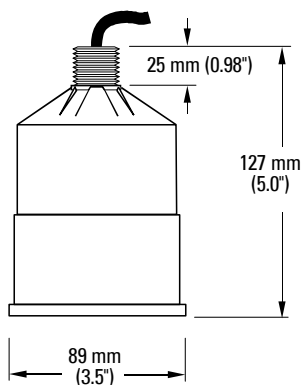
XRS-5		XRS-5C
<b>Muita tietoja</b>		
<b>Kotelointiluokka</b>	IP68	IP68
<b>Paino<sup>1</sup></b>	1,2 kg (2,6 lb)	1,2 kg (2,6 lb)
<b>Valinnaisvarusteet</b>	<ul style="list-style-type: none"> <li>• Tehtaalla asennettu laippa, ANSI-, DIN- ja JIS-standardeihin sopiva</li> <li>• Lukkolaippa (prosessiasennus), ANSI-, DIN- ja JIS-standardeihin sopiva</li> <li>• Uputussuoja (sovelluksiin, joissa anturi voi jäädä aineen sisään)</li> </ul>	<ul style="list-style-type: none"> <li>• Tehtaalla asennettu laippa, ANSI-, DIN- ja JIS-standardeihin sopiva</li> <li>• Lukkolaippa (prosessiasennus), ANSI-, DIN- ja JIS-standardeihin sopiva</li> <li>• Uputussuoja (sovelluksiin, joissa anturi voi jäädä aineen sisään)</li> </ul>
<b>Hyväksynät</b>	CE <sup>2</sup> , CSA, FM, IECEx/ATEX: INMETRO DNV 12.0078 X Ex mb IIC T6 Gb Ex tb IIIC T85°C Db IP66/IP68 -20 °C ≤ Ta ≤ +65 °C DNV #OCP 0017 ABNT NBR IEC 60079-0:2008, ABNT NBR IEC 60079-18:2010 ja ABNT NBR IEC 60079-31:2011	CSA, katso laitteen nimikilpi

1. Vakiopituusella kaapelilla varustetun anturin likimääräinen toimituspaino.
2. EMC-suorituskykyä koskevat tiedot saatavilla pyynnöstä.

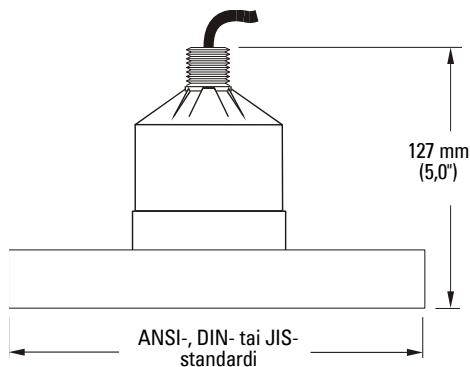
# Asennus

## Muoto ja mitat

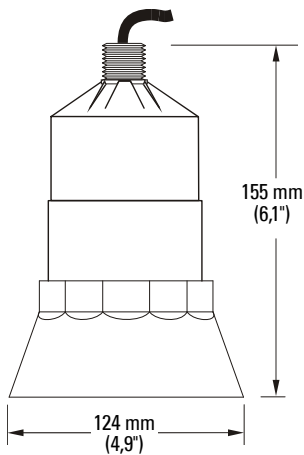
Vakio



Laippa (valinnainen)



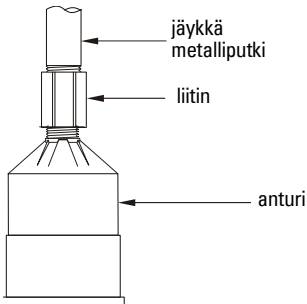
Upotussuoja



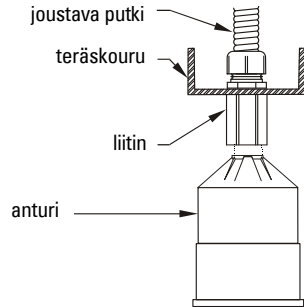
# Asennus

- Asenna anturi niin, että sen etäisyys **aineen pinnan enimmäiskorkeuteen on suurempi kuin toimintatilan arvoa vastaava etäisyys**, jotta mittaustulokset ovat tarkat. Katso toimintatilan arvon asettamista koskevat tiedot asianomaisen lähetin-vastaanottimen oppaasta.
- Anturi on asennettava niin, että mittaosalan keskiviiva on **kohtisuorassa nestepintaan nähden**.
- **Älä kierrä anturia liian tiukkaan.** Asennettavan laitteen kiristys käsin riittää.
- Muista valinnaisen **lämpötilan mittapään** käyttö anturia asentaessasi.

## Ripustettu putki

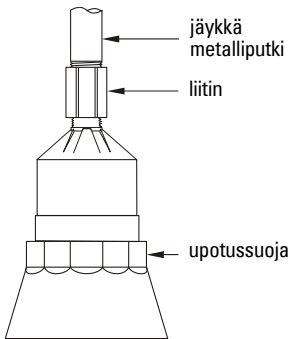


## Kannatin



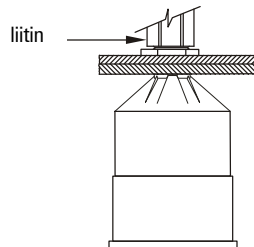
Joustavassa putkessa oleva anturi ei saa olla alttiina tuulelle, värähtelylle eikä tärinälle.

## Oppoasennus



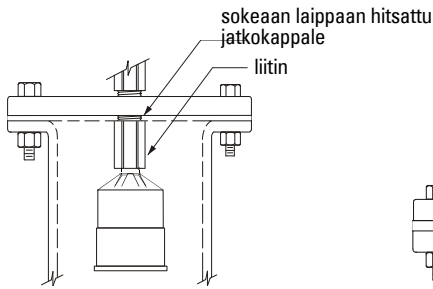
Oppoasennettava anturi sovelluksiin, joissa anturi voi jäädä aineen sisään.

## Vaneri

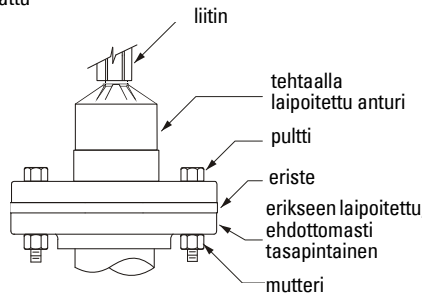


Vaneriasennus tarjoaa erinomaisen eristyksen, mutta sen on oltava riittävän jäykkä, ettei se taivu kuormitettuna.

## Sokea laippa



## Pintalaippa



**Huomautus:** Kiristä laipan pultit tasaisesti, niin sovitettavat laipat asettuvat tiiviisti.

**Huomioitavaa:** Liian tiukkaan kiristäminen voi heikentää suorituskykyä.

## Liitântä

**Huomautus:** Asennuksen saa suorittaa ainoastaan asiantunteva henkilöstö ja asennuksessa on noudatettava paikallisia määräyksiä.

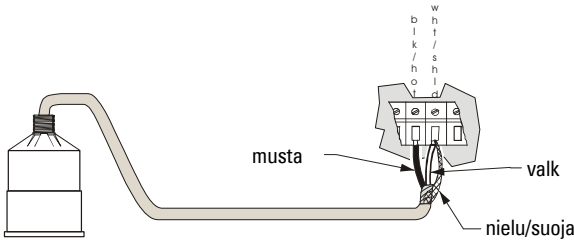
### Suositteluvia asennusohjeita:

- Älä vie kaapelia paljaana. Vie se yksinään maadoitetussa metallijohdossa, jotta se on suojattu ympäröivältä sähköiseltä kohinalta.
- Tiivistä kaikki kierrelitännät, ettei kosteus pääse asennukseen.
- Älä vie kaapelia lähelle suurjännite- tai virtajohtimia, kontaktoreja tai tyristoriohjaimia.

Kaikki seuraavissa esimerkeissä mainitut lähetin-vastaanottimen riviliittimet on kuvattu ohjaimen oppaassa.

# Suora liitântä

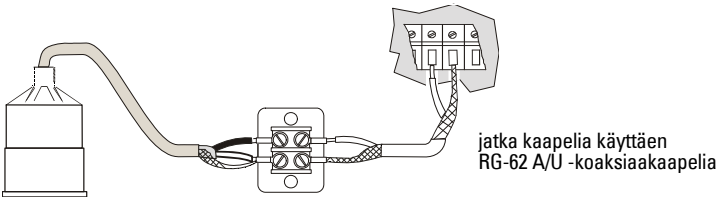
Liitä anturi suoraan Siemens-lähetin-vastaanottimeen kaksijohtimisella suojatulla kaapelilla.



**Huomautus:** Liitettäessä anturia SITRANS LUT400 -, SITRANS LUC500 -, MultiRanger 100/200 - tai HydroRanger 200 -laitteeseen kaapelin musta johdin, valkoinen johdin ja suojausjohdin on kaikki liitettävä erikseen. ÄLÄ YHDISTÄ valkoista johdinta ja suojausjohdinta keskenään.

# Koaksiaaliliitântä

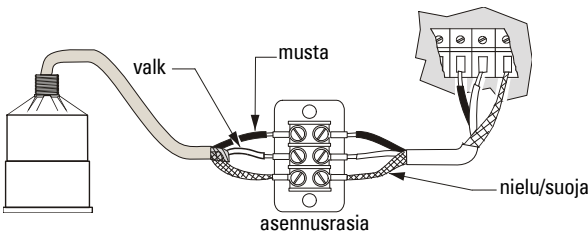
Liitä anturi Siemens-lähetin-vastaanottimeen käyttämällä asennusrasiaa ja RG-62 A/U -koaksiaalikaapelia. Tämä järjestely sopii yhdistelmäjohtotuksiin, joiden pituus on enintään 365 m (1200 ft).



**Huomautus:** Liitettäessä anturia SITRANS LUT400 -, SITRANS LUC500 -, MultiRanger 100/200 - tai HydroRanger 200 -laitteisiin EI SAA käyttää koaksiaalikaapelia. Katso oikea menettely alla olevasta kaaviosta.

# Kaksijohtiminen jatke

(ainoastaan SITRANS LUT400, SITRANS LUC500, MultiRanger 100/200 ja HydroRanger 200)



jatka kaapelia käyttämällä 18 AWG:n suojattua/kierrettyä parikaapelia

# Huomautukset

---

# EchoMax XRS-5 Snabbstartmanual

Denna manual ger en översikt över de viktigaste egenskaperna och funktionerna för EchoMax XRS-5 transducer. Denna manual, och *Transducer Användarmanual*, finns också tillgängliga på vår webbplats: [www.siemens.com/processautomation](http://www.siemens.com/processautomation). Tryckta kopior finns tillgängliga från din lokala representant för Siemens Milltronics.

**Frågor angående innehållet i denna manual kan sändas till:** Auktoriserad representant för Europa

Siemens Milltronics Process Instruments  
1954 Technology Drive, P.O. Box 4225  
Peterborough, Ontario, Canada, K9J 7B1  
Email: [techpubs.smpi@siemens.com](mailto:techpubs.smpi@siemens.com)

Siemens AG  
Industry Sector  
76181 Karlsruhe  
Deutschland

## Copyright Siemens Milltronics Process Instruments 2013. Med ensamrätt

## Ansvarsbegränsning

Vi råder användare att skaffa sig auktoriserade inbundna handböcker, eller att konsultera av Siemens Milltronics Process Instruments framtagna och utgivna elektroniska versioner. Siemens Milltronics Process Instruments ansvarar inte för innehållet i ofullständiga eller kompletta kopior av inbundna eller elektroniska versioner.

Trots att vi kontrollerat att innehållet i denna handbok överensstämmer med beskrivet materiel, kan avvikelser förekomma. Därför kan vi inte garantera full överensstämmelse. Innehållet i denna handbok revideras regelbundet och ändringar tas med i följande versioner. Vi välkomnar alla förslag till förbättringar. Tekniska data kan komma att ändras utan föregående varsel.

MILLTRONICS är ett registrerat varumärke för Siemens Milltronics Process Instruments

## Riktlinjer för säkerhet

Varningsnotiser måste efterlevas för att din personliga och andras säkerhet skall kunna säkras samt för att skydda produkten och ansluten utrustning. Dessa varningsnotiser åtföljs av anvisningar om den säkerhetsnivå som skall observeras.



**WARNING:** berör en varningssymbol på produkten. Den innebär att underlåtenhet att efterfölja de nödvändiga föreskrifterna kan orsaka dödsfall, svår kroppsskada och/eller stor materiell skada.



**WARNING:** innebär att underlåtenhet att efterfölja nödvändiga föreskrifter kan orsaka dödsfall, svår kroppsskada och/eller stor materiell skada.

**WARNING:** innebär att underlåtenhet att efterfölja nödvändiga föreskrifter kan orsaka stor materiell skada.

**Anmärkning:** innebär viktig information om produkten eller denna del av användarmanualen.

# Inledning

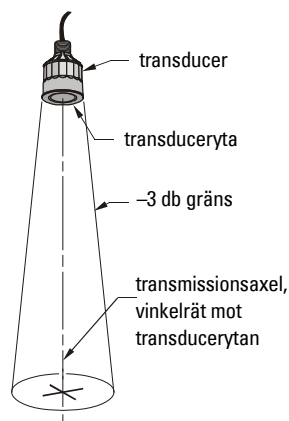
**Denna produkt är avsedd för användning i industriområden. Drift av denna utrustning i ett bostadsområde kan förorsaka störningar av flera frekvensbaserade kommunikationer.**

Echomax XRS-5 transducerserier fungerar med Siemens Milltronics produkter för monitoring av ultraljudsnivå.

Transducers omvandlar den elektriska transmissionspulsens från transceiveren till akustisk energi. Den omvandlar sedan den akustiska energin från ekot tillbaka till elektrisk energi för kontrollören.

Transducerytan utsänder akustisk energi som strålar utåt, minskar i amplitud omvänt proportionellt mot kvadraten på avståndet. Maximal effekt utstrålar vinkelrätt från transducerytan på transmissionsaxeln. De punkter där effekten minskats till hälften (-3 dB), utgör en konisk gränssyta som centreras runt transmissionsaxeln och definierar ljudstrålen vars diameter utgör ljudstrålens vinkel.

XRS-5-serierna har en integrerad temperatursensor som återsänder värdet på lufttemperaturen vid transducern till kontrollören.










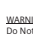


# Speciella instruktioner för installationer i farliga områden (Referens Europeiska direktivet ATEX 94/9/EG, Bilaga II, 1/0/6)

Följande instruktioner är tillämpliga på utrustning som omfattas av certifikatnummer SIRA 99ATEX5091X.

1. Utrustningen kan användas med eldfarliga gaser och ångor med apparatgrupp II och temperaturklass T1 till T6.
2. Utrustningen har en temperaturklass på T85 °C och kan användas med eldfarligt damm.
3. Utrustningen är certifierad för användning inom ett temperaturområde från -20 °C till +65 °C.
4. Utrustningen har inte bedömts vara en säkerhetsrelaterad utrustning så som avses i direktiv 94/9/EG Bilaga II, klausul 1.5.
5. Certifikatet har ett 'X'-suffix, som anger att speciella villkor gäller för installation och användning. De som installerar eller inspekterar utrustningen måste ges tillgång till certifikatets innehåll.
6. Dessa apparater får endast försörjas från en krets försedd med säkring av lämplig kaliber som har en brytarkapacitet på minst 1500A.
7. Installation och inspektion av denna utrustning skall utföras av lämpligt utbildad personal i enlighet med tillämpliga delar av arbetspraxis (EN 60079-14 och EN 60079-17 inom Europa).
8. Utrustningen kan inte repareras.
9. Certifieringen av denna utrustning förutsätter att följande material använts vid dess tillverkning:
  - Norton Performance Plastics Chemgrip-bindemedel
  - ETFE kåpmaterial
  - PVDF kåpmaterial
  - Dow-Corning 3-4207 inkapslingsmedel
  - Royal EPOCAP 42174/52174
  - Cotronics Durapot 864 inkapslingsmedel
10. Om utrustningen riskerar komma i kontakt med frätande ämnen åligger det användaren att vidta lämpliga åtgärder för att förhindra att utrustningen påverkas negativt och på så vis säkerställa att typen av skydd räcker till.
  - Frätande ämnen: t.ex. sura vätskor eller gaser som kan angripa metaller, eller lösningsmedel som kan påverka polymermaterial.
  - Lämpliga försiktighetsåtgärder: t.ex. att med ledning av materialets datablad kontrollera att det är beständigt mot vissa kemikalier.

## XRS-5

<b>SIEMENS</b> XRS-5 ULTRASONIC TRANSDUCER Serial No: GYZ1A1034567 Ambient Temp: -20°C to 65°C V in: 1.77 V r.m.s.; 250 V p I in: 44.2 mA r.m.s.  Siemens Mitronics Process Instruments, Peterborough	 Class I, Zone 1 AEx m IIC, T6, IP68 Class II, III, Div 1, Group E, F, G Per Dwg: 0-96500032-D1A Max. Torque: 12 FT-LBS	 0518	 II 2 G D Ex mb IIC T6 Gb Ex tb IIIc T85°C Db SIRA 99ATEX5091X IECEx SIR09.0005X	 KCC-REM-549 Echomax  Ex mb IIC T6 Gb Ex tb IIIc T85°C Db DNV 12.0078 X ATENÇÃO - RISCO POTENCIAL DE CARGA ELETROSTÁTICA - VEJA INSTRUÇÕES
 159134	 Class I, Div 2, Group A, B, C, D Class II, Div 1, Group E, F, G IP66 / IP68 (2M)	 WARNING: Static Hazard, Do Not Rub With Dry Cloth.		

## Anmärkning:

- Nummer för produktkonfiguration visas endast som exempel.
- Serienummer visas endast som exempel.

# Specifikationer

	XRS-5	XRS-5C
<b>Processapplikation</b>		
<b>Tillämpning</b>	Vätskor och uppslamningar	Vätskor och uppslamningar
<b>Mätningområde</b>	0,3 - 8 m (1 - 26 ft)	0,3 - 8 m (1 - 26 ft)
<b>Kärtryck</b>	Luftat till atmosfärtryck	Luftat till atmosfärtryck
<b>Drift</b>		
<b>Strålningsvinkel</b>	10	10
<b>Frekvens</b>	43 KHz	43 KHz
<b>Temperatursensor</b>	Intern	Intern
<b>Elförsörjning</b>	Transducers får endast elförsörjas med Siemens certifierade kontrollörer	Transducers får endast elförsörjas med Siemens certifierade kontrollörer
<b>Miljöbetingelser</b>		
<b>Placering</b>	inomhus/utomhus	inomhus/utomhus
<b>Rumstemperatur</b>	-20 till 65 °C (-4 till 149 °F)	-20 till 65 °C (-4 till 149 °F)
<b>Maximal höjd</b>	2.000 m	2.000 m
<b>Nedsmutningsgrad</b>	4	4
<b>Konstruktion</b>		
<b>Hölje</b>	<ul style="list-style-type: none"> <li>PVDF-huvuddel och CSM-platta</li> </ul>	<ul style="list-style-type: none"> <li>PVDF-huvuddel och CSM-platta</li> <li>Anslutning till ledning i rostfritt stål</li> </ul>
<b>Montering</b>	1" NPT eller BSP ledningsanslutning	1" NPT-ledningsanslutning
<b>Kabling</b>		
<b>Kabeltyp</b>	2-tråds skärmad/tvinnad, 0,5 mm <sup>2</sup> (18 AWG) PVC-mantel	2-tråds skärmad/tvinnad, 0,5 mm <sup>2</sup> (18 AWG) PVC-mantel
<b>Maximalt avstånd från Transceiver</b>	<ul style="list-style-type: none"> <li>365 m (1200 ft) med användning av RG-62 A/U koaxialkabel</li> <li>365 m (1200 ft) med användning av 2-tråds tvinnat ledningspar/flätad och folieskärmad 20 AWG (0,5 mm<sup>2</sup>), PVC-mantel (endast SITRANS LUT400, SITRANS LUC500, MultiRanger 100/200 och HydroRanger 200)</li> </ul>	<ul style="list-style-type: none"> <li>365 m (1200 ft) med användning av RG-62 A/U koaxialkabel</li> <li>365 m (1200 ft) med användning av 2-tråds tvinnat ledningspar/flätad och folieskärmad 20 AWG (0,5 mm<sup>2</sup>), PVC-mantel (endast SITRANS LUT400, SITRANS LUC500, MultiRanger 100/200 och HydroRanger 200)</li> </ul>

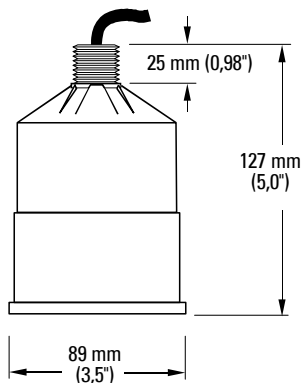
XRS-5		XRS-5C
<b>Diverse</b>		
<b>Ingresskydd</b>	IP68	IP68
<b>Vikt<sup>1</sup></b>	1,2 kg (2,6 lb)	1,2 kg (2,6 lb)
<b>Optioner</b>	<ul style="list-style-type: none"> <li>• fabriksflänsat för att passa ANSI, DIN, och JIS standard</li> <li>• Splitfläns (fältmontering) för anpassning till ANSI-, DIN- och JIS-standardfordringar</li> <li>• Översvämningskydd (översvämningsapplikationer)</li> </ul>	<ul style="list-style-type: none"> <li>• fabriksflänsat för att passa ANSI, DIN, och JIS standard</li> <li>• Splitfläns (fältmontering) för anpassning till ANSI-, DIN- och JIS-standardfordringar</li> <li>• Översvämningskydd (översvämningsapplikationer)</li> </ul>
<b>Godkännanden</b>	CE <sup>2</sup> , CSA, FM, IECEx/ATEX: INMETRO DNV 12.0078 X Ex mb IIC T6 Gb Ex tb IIIC T85°C Db IP66/IP68 -20 °C ≤ Ta ≤ +65 °C DNV #0CP 0017 ABNT NBR IEC 60079-0:2008, ABNT NBR IEC 60079-18:2010 och ABNT NBR IEC 60079-31:2011	CSA, se namnplatta

1. Approximativ transportvikt för transducer med standard kabellängd.
2. EMC prestandans tillgänglig på begäran

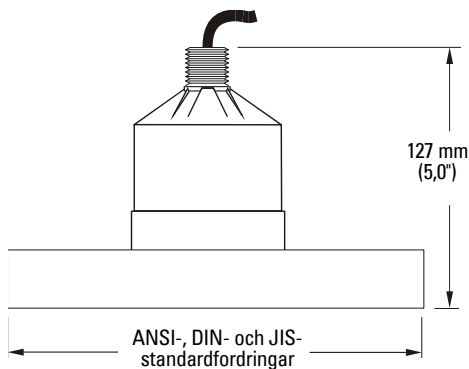
# Installation

## Översikt och dimensioner

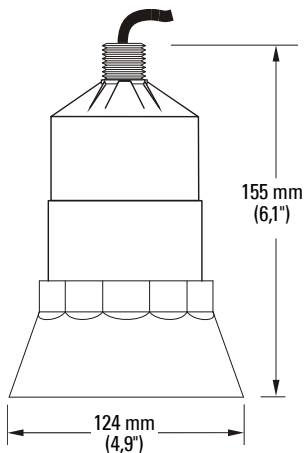
### Standard



### Fläns (optionell)



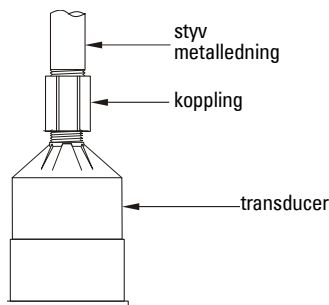
### Översvämningsskydd



# Montering

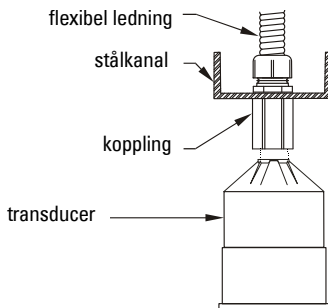
- Montera transducern så att den överstiger **den maximala materialnivån med minst blankvärdet**. Vi hänvisar till den medföljande transeivermanualen för inställning av blankvärdet.
- Transducern måste monteras så att transmissionsaxeln är **vinkelrät gentemot vätskeytan**.
- **Dra inte åt för mycket vid montering**. Handåtdragning räcker för de delar som skall monteras.
- Beakta den optionella **temperatursensorn** när transducern monteras.

## Luftledning

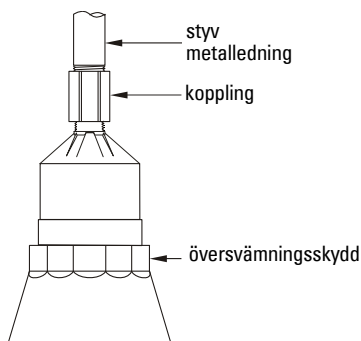


Flexibel ledning med transducermontering får inte utsättas för vind, vibration, eller rubbning.

## Klammer

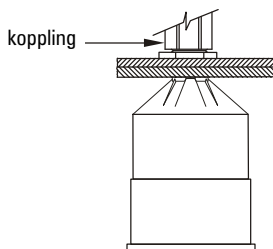


## Sänkbar

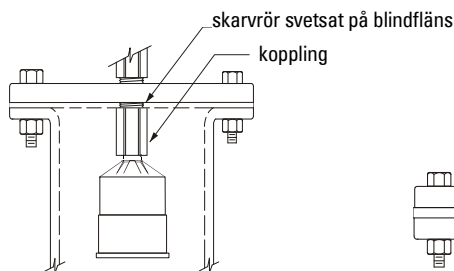
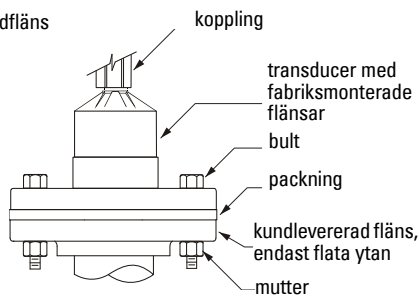


Dränkbar transducer, används i applikationer där översvämning kan inträffa.

## Plywood



Plywoodmontering ger utmärkt isolering, men måste vara tillräckligt styv så att den inte ger efter om den belastas.

**Blindfläns****Flänsyta**

**Anmärkning:** Dra åt flänsbultarna jämt så att du säkerställer god tätning mellan motstående flänsar.

**Försiktighet:** Överdrivenåtdragning kan orsaka netsättning av prestanda.

## Sammankoppling

**Anmärkning:** Installation får endast utföras av kompetent personal och enligt gällande lokala bestämmelser.

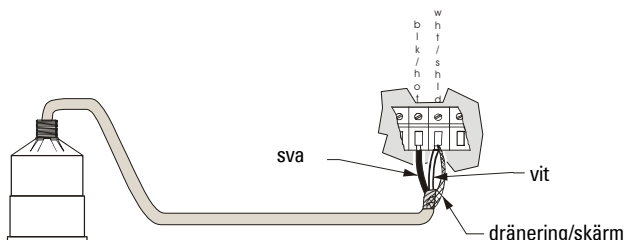
### Rekommenderade installationsregler:

- Lägg inte ut kabel på öppen mark utan lägg den i stället i en jordad metall ränna så att den skyddas från omgivande elektriskt brus.
- Täta alla gängade anslutningar för att hindra fuktangrepp.
- Dra inte kabeln nära högspännings- eller starkströmsledning, kontaktorer och SCR kontrollmekanismer.

I alla följande exempel finns terminalblocken på transceivern beskrivna i kontrollörsmanualen.

# Direktkoppling

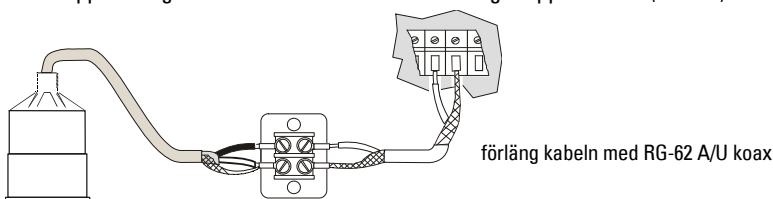
Anslut transducern direkt till Siemens transceiver via den skärmade kabeln med två ledningar.



**Anmärkning:** När du ansluter till en SITRANS LUT400, en SITRANS LUC500, en MultiRanger 100/200, eller en HydroRanger 200, är den vita, svarta och skärmade ledningen separat anslutna BIND INTE den vita och den skärmade ledningen tillsammans.

# Koaxialanslutning

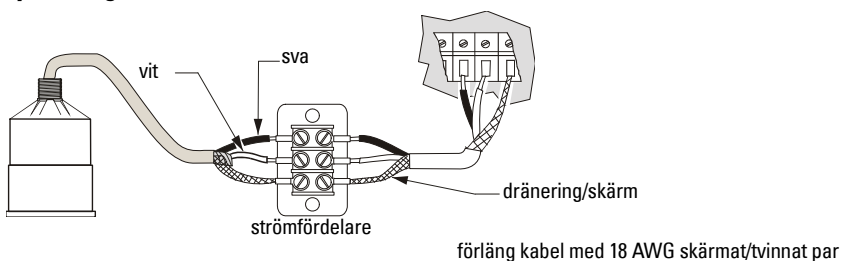
Anslut transducern till Siemens transceiver via en strömfördelare och RG-62 A/U koaxialkabel. Denna uppsättning är effektiv för kombinerade körningar upp till 365 m (1.200 ft).



**Anmärkning:** När du ansluter dig till en SITRANS LUT400, en SITRANS LUC500, en MultiRanger 100/200 och HydroRanger 200, SKALL DU INTE använda koaxialkabel. Se diagrammet nedan för rätt procedur.

# 2-tråds utsträckning

(endast för SITRANS LUT400, SITRANS LUC500, MultiRanger 100/200 och HydroRanger 200)



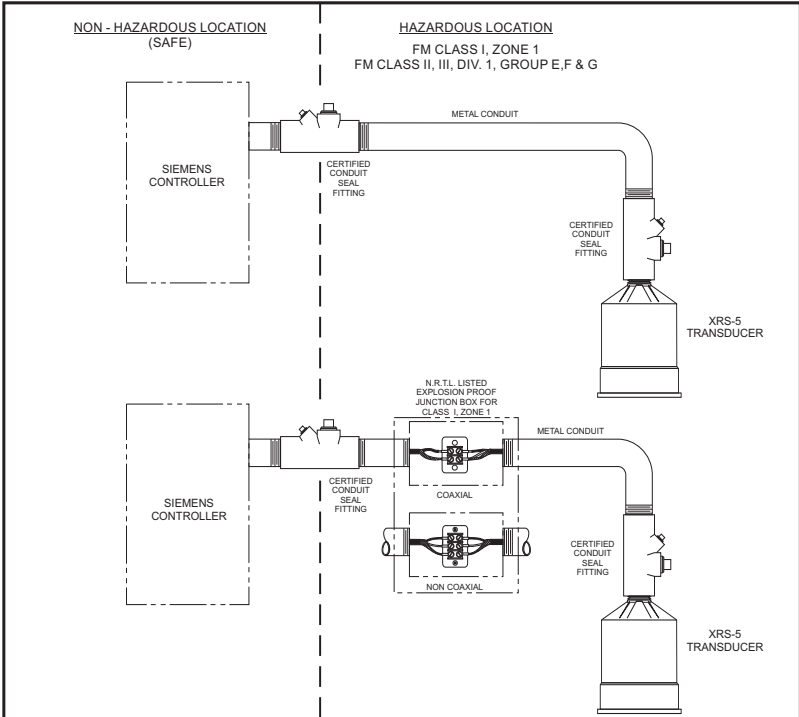
# Anmärkningar

---



# Appendix A: Installation Diagrams

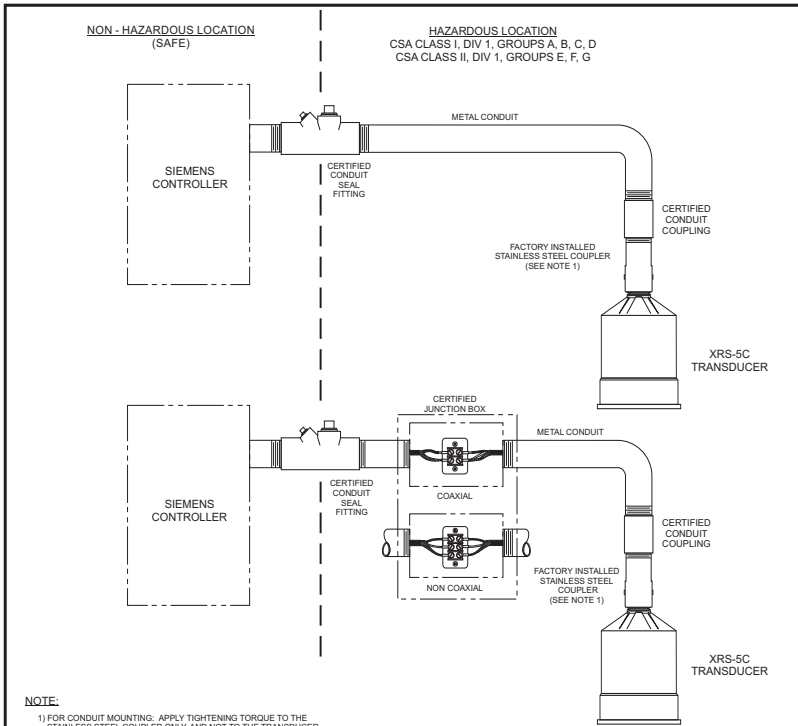
## XRS-5 Installation Diagram



**NOTE:**  
 1) INSTALLATION SHALL BE DONE IN ACCORDANCE WITH THE NATIONAL ELECTRICAL CODE (N.E.C.).  
 2) NO REVISION SHALL BE MADE WITHOUT PRIOR FMRC AUTHORIZATION.

1	REVISED TITLE BLOCK PER ECO PSA00004762 REMOVED MILLTRONICS REFERENCE	PJF	MC	JUNE 28/2012
0	FOR RELEASE	RPC	SN	SEPT 16/99
Rev.	Revision / ECN Description	Drawn	Appr.	Date
Product Group: <b>ULTRASONICS</b> Date: 16 SEPT. 1999 Drawn: R. CLYSDALE Checked: TIEN VU Approved: S. NGUYEN Location: PETERBOROUGH		Tolerance Unless Otherwise Noted: UOS 1 Place Decimal ± 0.03 2 Place Decimal ± 0.01 3 Place Decimal ± 0.002 Angles: ± 0.5°		Scale: NTS Size: A
Title: <b>XRS-5 TRANSDUCER INTERCONNECTION DIAGRAM FM CLASS I, ZONE 1</b>		Drawing No: <b>0-8650003Z-DI-A</b>		Rev: 1
File No. 00128301		Plot at: 1 : 1		Sheet 1 Of 1

# XRS-5C Installation Diagram



**NOTE:**

- 1) FOR CONDUIT MOUNTING: APPLY TIGHTENING TORQUE TO THE STAINLESS STEEL COUPLER ONLY AND NOT TO THE TRANSDUCER HOUSING, OTHERWISE IT MAY IMPAIR SUITABLY FOR USE IN HAZARDOUS LOCATIONS.
- 2) DO NOT SECURE TRANSDUCER HOUSING TO STRUCTURAL SUPPORTS WITH METAL CLAMPING DEVICES.
- 3) INSTALLATION SHALL BE DONE IN ACCORDANCE WITH CANADIAN ELECTRICAL CODE PART 1 REQUIREMENTS.
- 4) ASSURE ELECTRICAL CONTINUITY AT COUPLING / CONDUIT THREADED JOINT.

1		REVISED TITLE BLOCK PER ECO P5A00004762 REMOVED MILLTRONICS REFERENCE	PJF	MC	JULY 03/2012
USE DIMENSIONS ONLY - DO NOT SCALE		0	FOR RELEASE	RPC	SN
DIMENSIONS ARE IN INCHES		Rev	Revision / ECN Description	Drawn	Appr.
Third Angle Projection 	Product Group	ULTRASONICS	Tolerance Unless Otherwise Noted:	UOS	Scale:
	Date:	26, SEPT, 2000	1 Place Decimal ± 0.03	Angles: ± 0.5°	NTS
SIEMENS CANADA LIMITED  SIEMENS MILLTRONICS PROCESS INSTRUMENTS  PETERBOROUGH, ONTARIO, CANADA	Drawn:	R. CLYSDALE	TITLE: XRS-5C TRANSDUCER INTERCONNECTION DIAGRAM FOR HAZARDOUS LOCATIONS		
	Checked:	R. HARE	DRAWING No: <b>23650162</b>		
	Approved:	S. NGUYEN			
Location:	PETERBOROUGH	Rev	1		
File No.	2365016201	Plot at:	1 : 1	Sheet 1	Of 1

## Unit Repair and Excluded Liability

All changes and repairs must be done by qualified personnel, and applicable safety regulations must be followed. Please note the following:

- The user is responsible for all changes and repairs made to the device.
- All new components must be provided by Siemens.
- Restrict repair to faulty components only.
- Do not re-use faulty components

## Reparation af enheden og ansvarsbegrænsning:

Alle ændringer og reparationer skal udføres af kvalificeret personale, og de gældende sikkerhedsbestemmelser skal overholdes.

Bemærk venligst følgende:

- Brugeren er ansvarlig for alle de på apparatet udførte ændringer og reparationer.
- Alle nye komponenter skal være leveret af Siemens.
- Reparer kun defekte komponenter.
- Defekte komponenter må ikke genbruges

## Geräte Reparatur und Haftungsausschluss:

Alle Änderungen und Reparaturen müssen von qualifiziertem Personal unter Beachtung der jeweiligen Sicherheitsbestimmungen vorgenommen werden. Bitte beachten Sie:

- Der Benutzer ist für alle Änderungen und Reparaturen am Gerät verantwortlich.
- Alle neuen Bestandteile sind von Siemens bereit zu stellen.
- Reparieren Sie lediglich defekte Bestandteile.
- Defekte Bestandteile dürfen nicht wiederverwendet werden.

## Επισκευή μονάδας και αποκλειόμενη ευθύνη:

Όλες οι αλλαγές και οι επισκευές πρέπει να πραγματοποιούνται από εξειδικευμένο προσωπικό, και πρέπει να τηρούνται όλοι οι σχετικοί κανόνες ασφαλείας. Σημειώστε τα παρακάτω:

- Ο χρήστης είναι υπεύθυνος για όλες τις αλλαγές και επισκευές που γίνονται στη συσκευή.
- Όλα τα καινούργια εξαρτήματα πρέπει να παρέχονται από τη Siemens.
- Περιορίστε τις επισκευές μόνο στα ελαττωματικά εξαρτήματα.
- Μην επαναχρησιμοποιείτε ελαττωματικά εξαρτήματα.

## Reparación del dispositivo y límite de responsabilidad:

Las modificaciones y reparaciones deberán ser efectuadas por personal calificado de acuerdo con las normas de seguridad aplicables. Notas importantes:

- El usuario es el único responsable de las modificaciones y reparaciones del dispositivo.
- Recomendamos utilizar sólo recambios originales Siemens.
- Reparar sólo los componentes defectuosos.
- Los componentes defectuosos no se deben reutilizar.

## Réparation de l'unité et limite de responsabilité :

Les modifications et réparations doivent être effectuées par un personnel qualifié en accord avec les consignes de sécurité applicables.

Remarques importantes :

- L'utilisateur est seul responsable des modifications et réparations effectuées sur l'unité.
- Utiliser seulement des composants fournis par Siemens.
- Réparer uniquement les composants défectueux.
- Les composants défectueux ne doivent pas être réutilisés.

## Riparazioni dell'apparecchiatura e limiti di responsabilità:

Le modifiche e le riparazioni devono essere effettuate solo da personale qualificato, rispettando le normative sulla sicurezza. Note importanti:

- L'utente è responsabile delle eventuali modifiche e riparazioni effettuate sull'apparecchiatura.
- Utilizzare solo pezzi di ricambio originali forniti da Siemens.
- Riparare solo i componenti difettosi.
- È importante non riutilizzare i componenti difettosi.

## Reparatie van apparatuur en uitsluiting van aansprakelijkheid:

Alle modificaties en reparaties moeten worden uitgevoerd door gekwalificeerd personeel en de geldende veiligheidsvoorschriften moeten worden aangehouden. Let op:

- De gebruiker is verantwoordelijk voor alle modificaties en reparaties die worden uitgevoerd aan het apparaat.
- Alle nieuwe onderdelen moeten zijn geleverd door Siemens.
- Beperk de reparatie uitsluitend tot de defecte componenten.
- Defecte componenten niet opnieuw gebruiken.

## Reparação da Unidade e Responsabilidade Excluída

Todas as alterações e reparações devem ser realizadas por pessoal qualificado e devem ser seguidas as regras de segurança aplicáveis. Por favor, note o seguinte:

- O usuário é responsável por todas as alterações e reparos efetuados no dispositivo.
- Todos os novos componentes devem ser fornecidos pela Siemens.
- Reparo restrito a apenas a componentes danificados.
- Não reutilize componentes danificados.

## Yksikön korjaaminen ja vastuuvapaus:

Muutos- ja korjaustyöt saa suorittaa ainoastaan pätevä henkilökunta, ja voimassa olevia turvallisuusmääräyksiä on noudatettava. Pyydämme ottamaan huomioon seuraavat seikat:

- Käyttäjän on vastuussa kaikista laitteeseen tehdyistä muutoksista ja korjauksista.
- Kaikki uudet osat on hankittava Siemens:iltä.
- Korjaukset on kohdistettava ainoastaan viallisiin osiin.
- Viallisia osia ei saa käyttää uudelleen.

## Reparation och ansvarfrihet:

Alla ändringar och reparationer måste utföras av kompetent personal och under iakttagande av gällande säkerhetsbestämmelser. Observera att:

- Användaren ansvarar för alla ändringar och reparationer som görs på enheten.
- Alla nya delar måste komma från Siemens.
- Reparera endast med fel behäftade delar.
- Delar behäftade med fel får ej återanvändas.

## For more information

[www.siemens.com/level](http://www.siemens.com/level)

[www.siemens.com/continuous-weighing](http://www.siemens.com/continuous-weighing)

Siemens AG  
Industry Sector  
1954 Technology Drive  
P.O. Box 4225  
Peterborough, ON  
Canada K9J 7B1

email: [techpubs.smpi@siemens.com](mailto:techpubs.smpi@siemens.com)

[www.siemens.com/processautomation](http://www.siemens.com/processautomation)

Subject to change without prior notice  
A5E32299685 Rev. AB

© Siemens AG 2013



A 5 E 3 2 2 9 9 6 8 5  
Printed in Canada